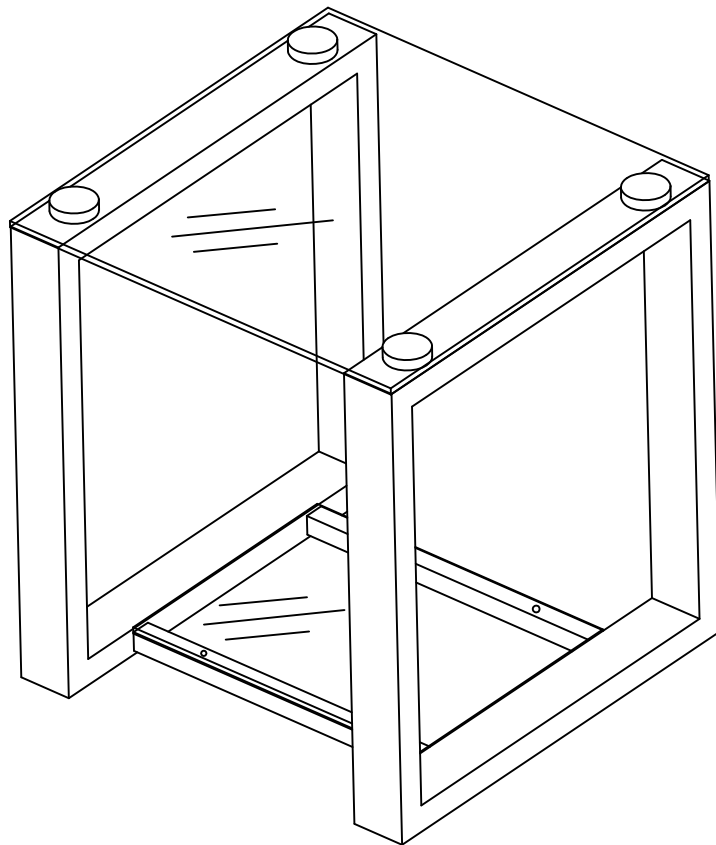


Glass and Metal End Table

Assembly Instructions - Please keep for future reference 343/1614



Dimensions

Width - 40cm

Depth - 40cm

Height - 45cm

Important - Please read these instructions fully before starting assembly

If you need help or have damaged or missing parts, call the **Customer Helpline:0345 6400 800**



Safety and Care Advice

Important – Please read these instructions fully before starting assembly

- Check you have all the components and tools listed on pages 2 and 3.
- Remove all fittings from the plastic bags and separate them into their groups.
- Keep children and animals away from the work area) small parts could choke if swallowed.
- Make sure you have enough space to layout the parts before starting.
- Do not stand or put excessive weight on the product) this could cause damage.
- Assemble the item as close to its final position (in the same room) as possible.
- Parts of the assembly will be easier with 2 people.
- Dispose of all packaging carefully and responsibly.
- Place the product on flat and steady surface during use.
- Assemble on a soft level surface to avoid damaging the unit or your floor.
- Keep these instructions for further use.
- To ensure an easier assembly) we strongly advise that all fittings are only finger tightened during initial assembly. Only upon completion of the assembly should all fixing points be fully tightened.

Glass safety

- This product complies with BS EN 12521:2009
- Imported by:
Argos Ltd
489-499 Avebury Boulevard
Central Milton Keynes
MK9 2NW
- CAT No.: 343/1614
- P/O No:
- If the glass is chipped or broken) stop using the product and consult the Manufacturer or Supplier.

Warnings

- a) Do not place very hot or very cold items on the glass surface(s) unless adequately thick table mats are used to prevent such items from coming into contact with the glass..
- b) Do not sit or stand upon the glass surface(s).
- c) Do not use the glass as a chopping surface. Do not strike the glass with hard or pointed items.
- d) When cleaning glass panels use a damp cloth or leather with washing up liquid or soft soap if necessary) do not use washing powders or any other substance containing abrasives since these substances scratch glass.

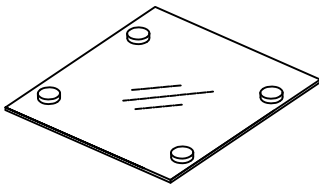
Care and maintenance

- Only clean using a damp cloth and mild detergent) do no use bleach or abrasive cleaners.
- From time to time check that there are no loose screws on this unit.
- This product should not be discarded with household waste. Take to your local authority waste disposal centre.

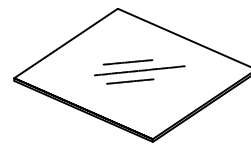
Components - Panels

If you need help or have damaged or missing parts, call the **Customer Helpline:**
0345 6400 800

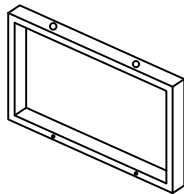
Please check you have all the panels listed below



1 Table Top (Glass) X 1 (0.6X40X40CM)



2 Glass Shelf X 1 (0.6X20X29.6CM)



3 Side Frame X 2 (39X43.4CM)

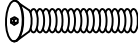






4 Stretcher X 2 (1.8X30CM)

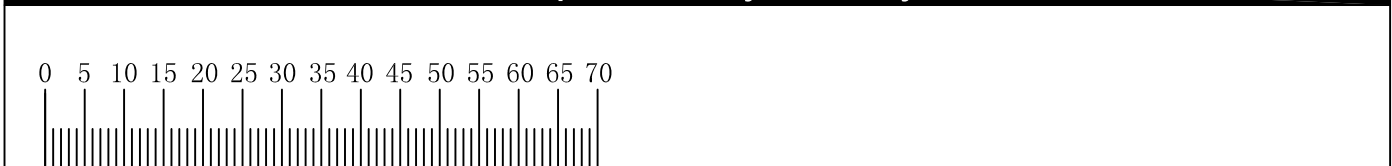
Components - Fittings

Please check you have all the fittings listed below

Note: The quantities below are the correct amount to complete the assembly. In some cases more fittings may be supplied than are required.

<p>A</p>  <p>65mm Allen screw X 4</p>	<p>B</p>  <p>30mm Allen screw X 4</p>	<p>C</p>  <p>Plastic sucker X 4</p>
<p>D</p>  <p>Plastic washer X 4</p>	<p>E</p>  <p>Allen key X 1</p>	

Ruler - Use this ruler to help correctly identify the screws



Assembly Instructions

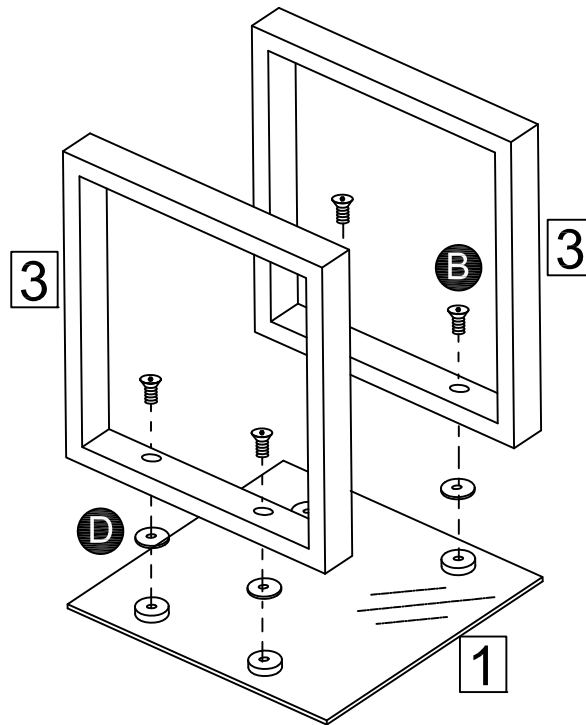
Step 1

Assembling frame

With help, carefully place glass top **1** upside down onto a clean flat surface.

Locate side frames **3** into position and secure using screws **B** and plastic washer **D**.

Note: Do not fully tighten.

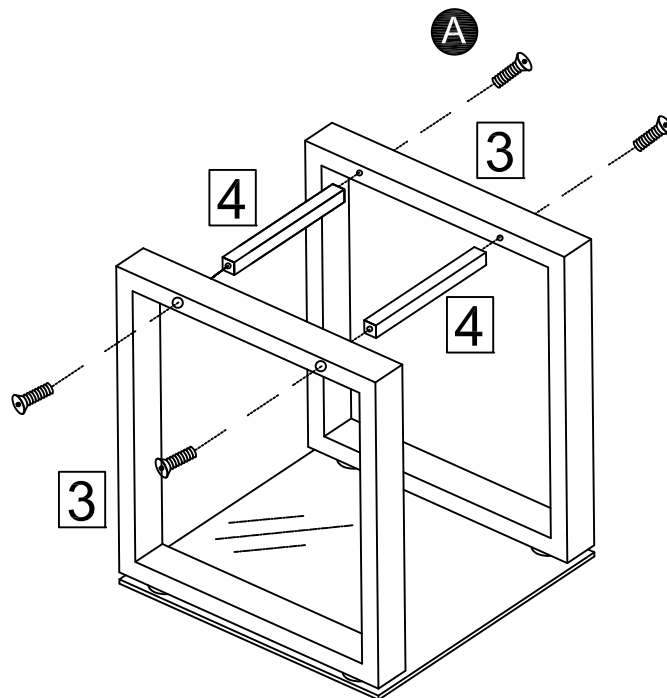


Step 2

Locating stretchers

Locate stretchers **4** in between side frames **3** and secure using screws **A**.

Note: Do not fully tighten.





Assembly Instructions

Step 3


Assembling Glass

With help, carefully turn the table over.

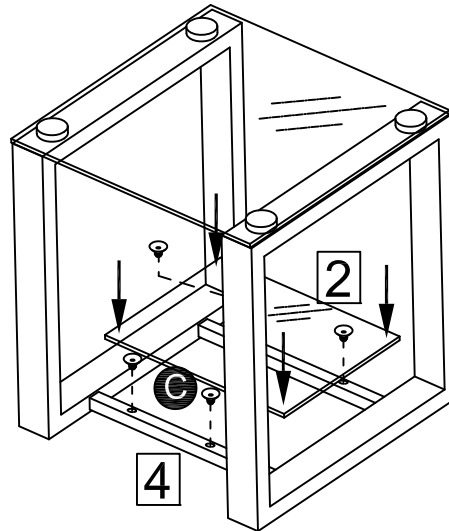
Fit plastic suckers  into the holes in stretchers .

Fully tighten all fixing screws.

Note: Do not overtighten.

Carefully locate glass shelf  into position.

Assembly is complete.



If you need help or have damaged or missing parts, call the **Customer Helpline:**

0345 6400 800

Home Retail Group, 488-489 Avebury Boulevard, Saxon Gate West, Central Milton Keynes, MK9 2NW