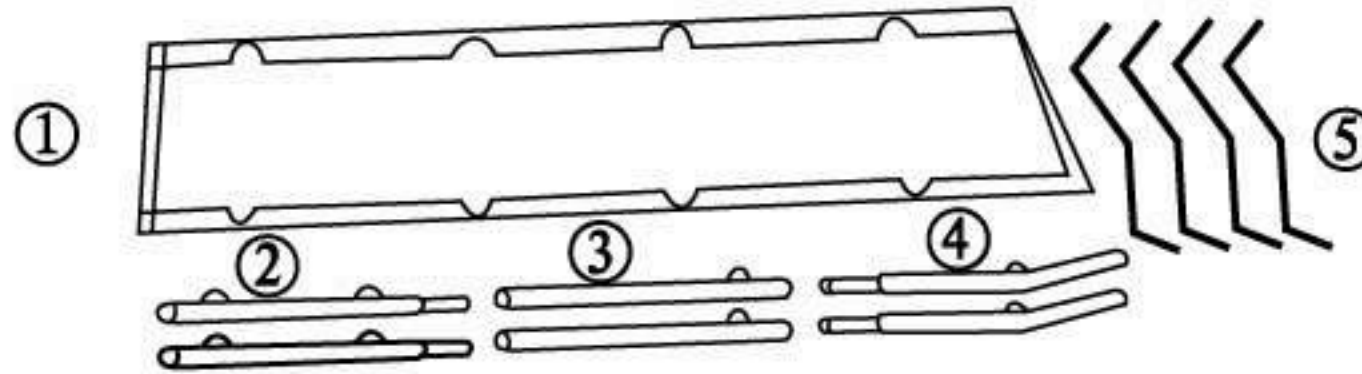


4-LEG CAMP BED INSTRUCTION

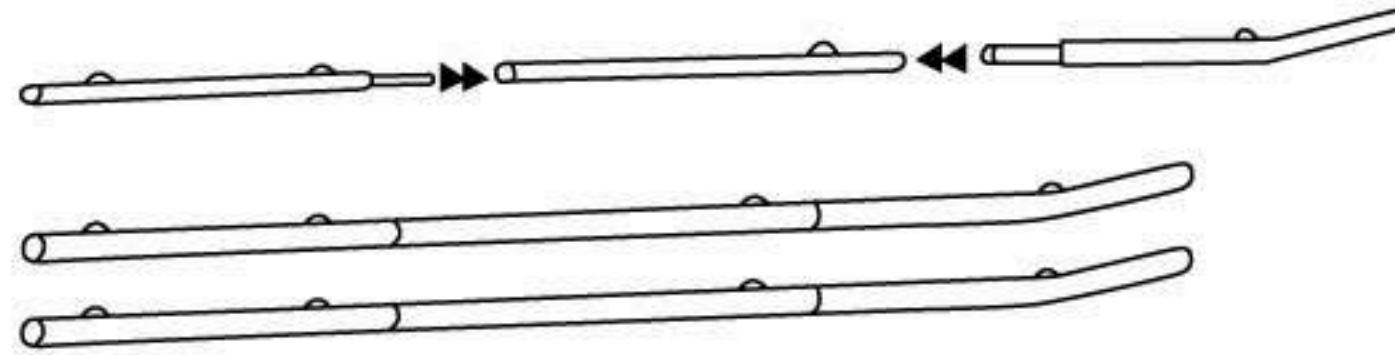
!WARNING!

- FOR OUTDOOR USE ONLY.
- FOR SINGLE USE
- PLEASE BE AWARE THAT THE LEGS WILL SPRING OPEN WHEN RELEASED FROM THE BED.
- SHOULD NOT BE ASSEMBLED BY CHILDREN. ASSEMBLE AND BREAKDOWN BY ADULTS ONLY.

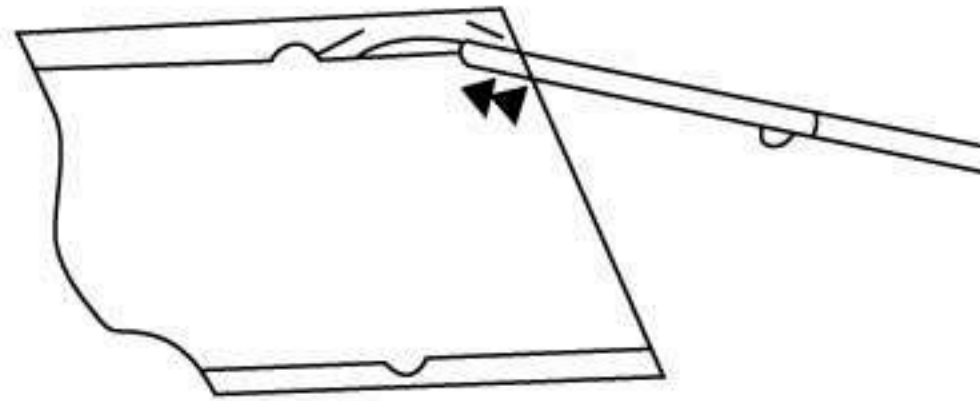
PARTS



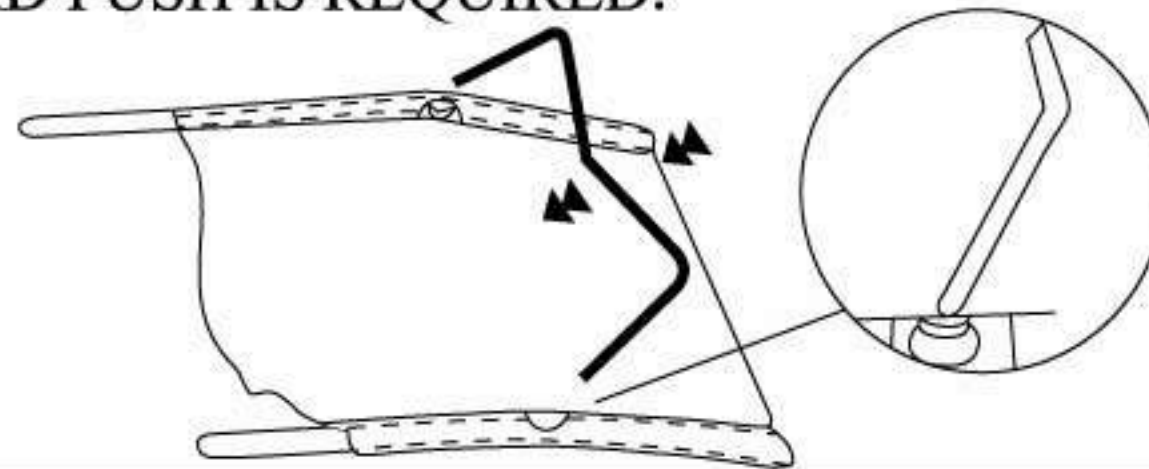
STEP 1. ASSEMBLE 3 PIECES TOGETHER FOR EACH SIDE RAIL.



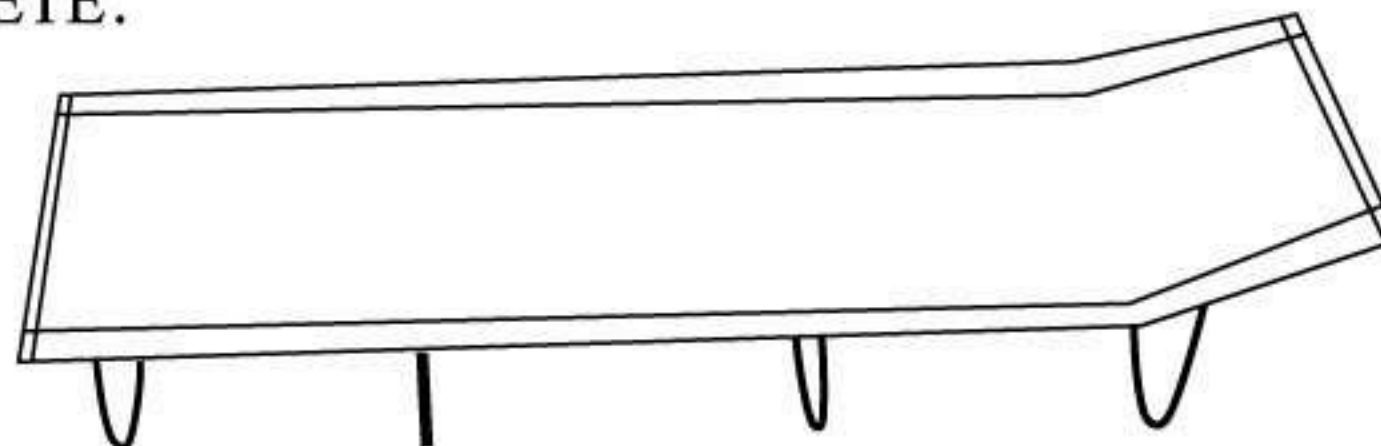
STEP 2. PUSH SIDE RAILS THROUGH THE SIDES OF THE COVER.



STEP 3. PUSH LEGS INTO THE PRE-DRILLED HOLES IN THE SIDE RAILS. SLIGHTLY HARD PUSH IS REQUIRED.



ASSEMBLY COMPLETE.



REF	PART	QTY
1	COVER	1
2	FOOT END SIDE RAIL	2
3	MID SECTION SIDE RAIL	2
4	HEAD SECTION SIDE RAIL	2
5	LEGS	4