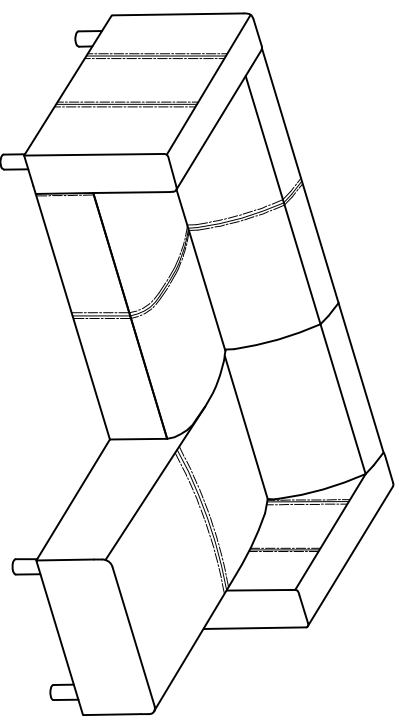


Jasper RH/LH Corner Group

Assembly Instructions - Please keep for future reference



Dimension

Width - 154cm
Length - 194cm
Height - 64.5cm

Important - Please read these instructions fully before starting assembly

If you need help or have damaged or missing parts, call the Customer Helpline: 08456 400800



Safety and Care Advice

Important - Please read these instructions fully before starting assembly

- Check you have all the components and tools listed on pages 2 and 3.
- Do not stand or put weight on the product; this could cause damage.
- Remove all fittings from the plastic bags and separate them into their groups.
- Assemble the item as close to its final position (in the same room) as possible.
- Keep children and animals away from the work area; small parts could choke if swallowed.
- Assemble on a soft level surface to avoid damaging the unit or your floor.
- Make sure you have enough space to layout the parts before starting.
- Parts of the assembly will be easier with 2 people.
- Do not tighten all bolts until bed is fully assembled.



• We do not recommend the use of power drill/drivers for inserting screws as this could damage the unit. Only use hand screwdrivers.

• Dispose of all packaging carefully and responsibly.

Care and maintenance

- Only clean using a damp cloth and mild detergent; do not use bleach or abrasive cleaners.
- From time to time check that there are no loose bolts on this unit.
- This product should not be discarded with household waste. Take to your local authority waste disposal centre.

Note: if required the next page can be cut out and used as reference throughout the assembly. Keep this page with these instructions for future reference.

Components - Fittings

Please check you have all the fittings listed below

Note: the quantities below are the correct amount to complete the assembly. In some cases more fittings may be supplied than are required.

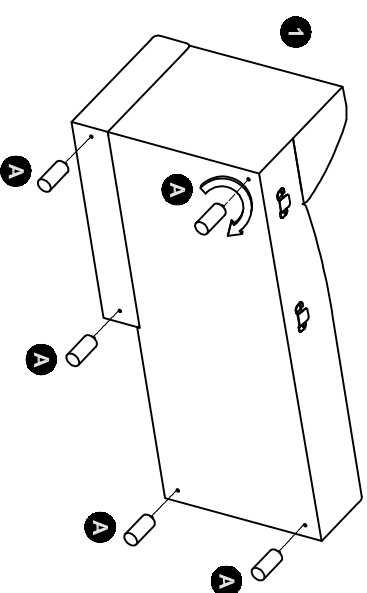


Assembly instructions

Step 1

Attaching legs

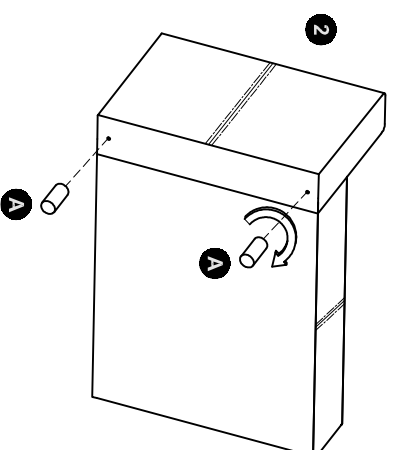
a: Insert legs **A** into Longchair **1** and rotate to right. Repeat this operation for all legs.



Step 2

Attaching legs

a: Insert legs **A** into Sofa **2** and rotate to right. Repeat this operation for all legs.



If you need help or have damaged or missing parts, call the Customer Helpline: 08456 400800

Assembly instructions

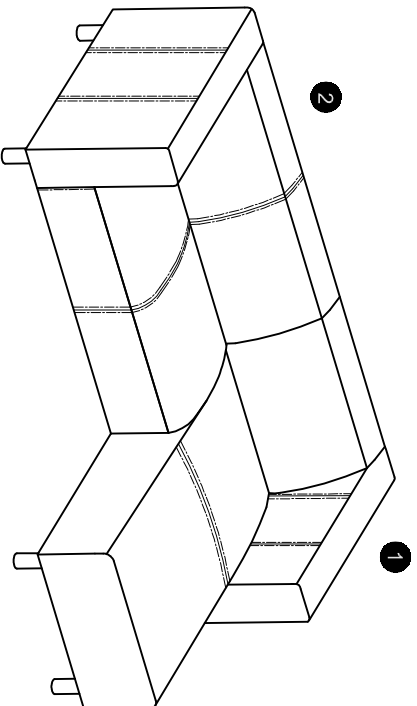
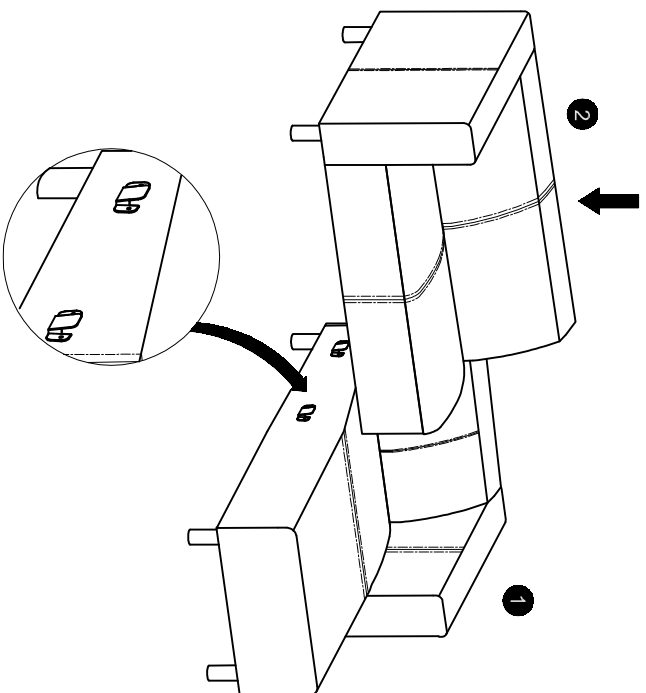
Components - Parts

If you have damaged or missing components,
call the Customer Helpline: 08456 400800

Step 3

Attaching parts

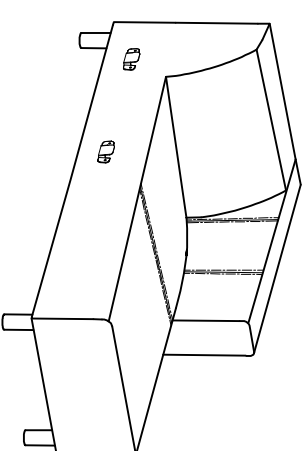
a: Lift up part 2
Fit the metal joining plates
of part 2 in to part 1 metal
plates and lower part 2
until the metal plates are
secured.



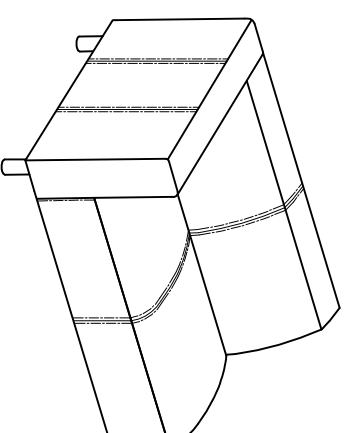
b: Overall view of the ready
assembled furniture,
composed of part 1 and
part 2.

Assembly is complete

Please check you have all the parts listed below



1 Longchair (153x79cm)



2 Sofa (116x83cm)

If you need help or have damaged or missing parts, call the **Customer Helpline: 08456 400800**