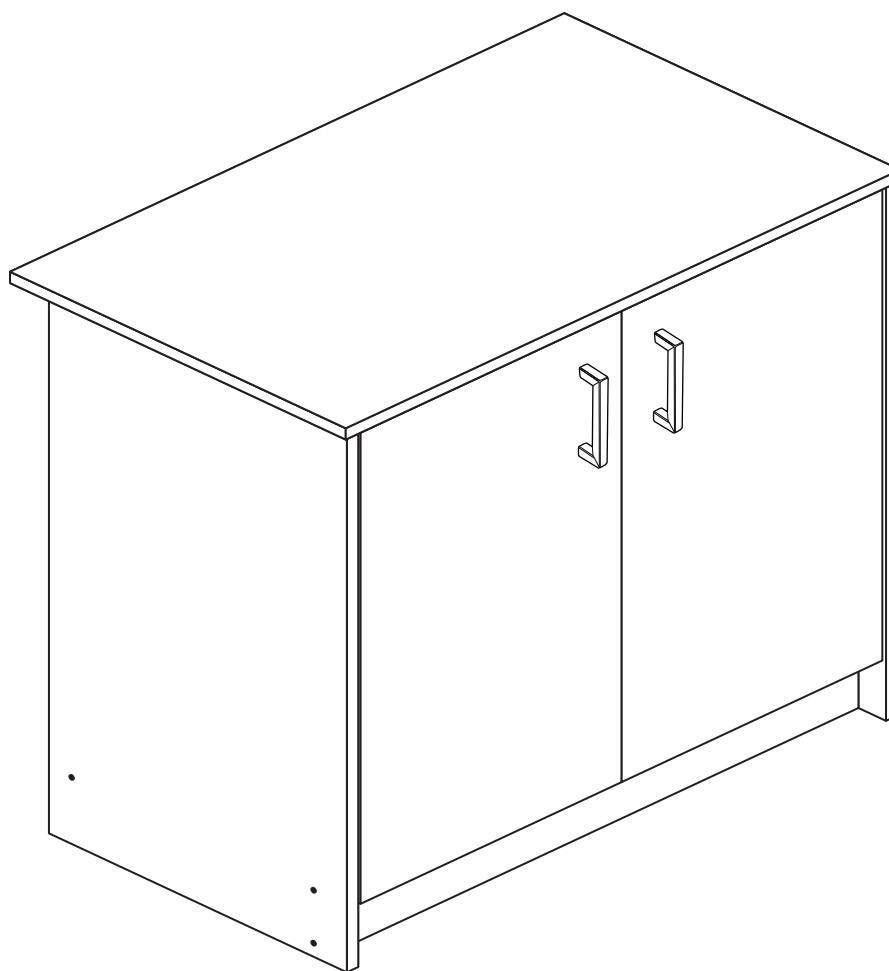


Caspian - 2 Door Cupboard

Assembly Instructions - Please keep for future reference

365/6499

339/9426



Dimensions

Width - 73.5cm

Depth - 44.5cm

Height - 72cm



**MADE IN
BRITAIN**

Important - Please read these instructions fully before starting assembly

If you need help or have damaged or missing parts, call the **Customer Helpline: 08456 400800**



Safety and Care Advice

Important - Please read these instructions fully before starting assembly

- **Warning:** This unit weighs approximately 21kgs. Please lift with care.

- Check you have all the components and tools listed on pages 2 and 3.

- Remove all fittings from the plastic bags and separate them into their groups.

- Keep children and animals away from the work area, small parts could choke if swallowed.

- Parts of the assembly will be easier with 2 people.

- Make sure you have enough space to layout the parts before starting.

- Do not stand or put weight on the product, this could cause damage.

- Assemble the item as close to its final position (in the same room) as possible.

- Assemble on a soft level surface to avoid damaging the unit or your floor (use opened out unit carton).



- We do not recommend the use of power drill/drivers **for inserting screws**, as this could damage the unit. Only use hand screwdrivers.

- **Safety note:** If there is any chance of this unit being pulled over by children etc. it is recommended that the unit is secured to a wall using suitable fixings (not supplied).

- Dispose of all packaging carefully and responsibly.

Care and maintenance

- Only clean using a damp cloth and mild detergent, do not use bleach or abrasive cleaners.

- From time to time check that there are no loose screws on this unit.

- This product should not be discarded with household waste. Take to your local authority waste disposal centre.

Note: If required the next page can be cut out and used as reference throughout the assembly. Keep this page with these instructions for future reference.

Components - Panels

If you have damaged or missing components, call the **Customer Helpline: 08456 400800** quoting the reference numbers below

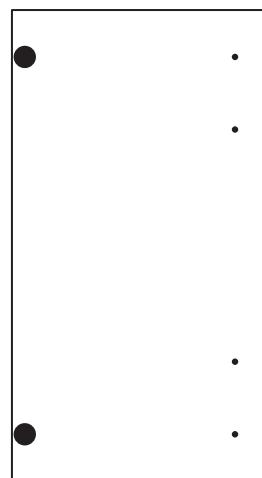
Please check you have all the panels listed below



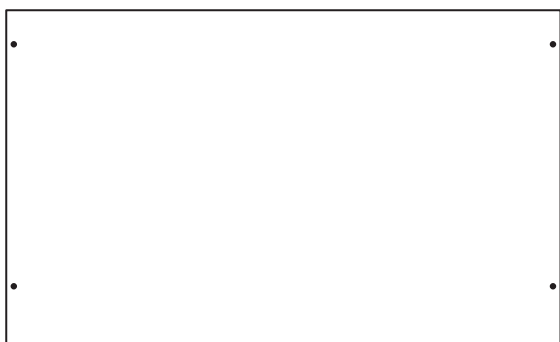
1 Left Side (D1193A)
(706 x 394mm)



2 Right Side (D1194A)
(706 x 394mm)



3 Door (D1172A)
(623 x 345mm) x 2



4 Top (D1195A)
(733 x 444mm)



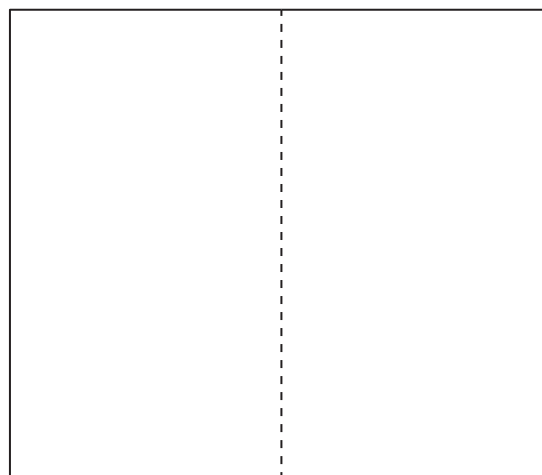
5 Base (D1196A)
(698 x 378mm)



6 Shelf (D1197A)
(698 x 373mm)



7 Plinth (D0879A)
(698 x 80mm)



8 Back (X848)
(718 x 622mm)

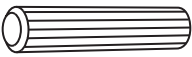
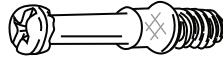

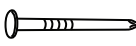




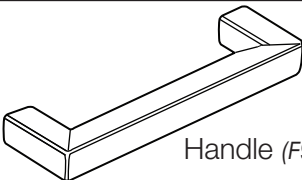
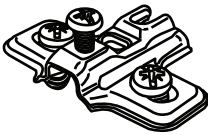
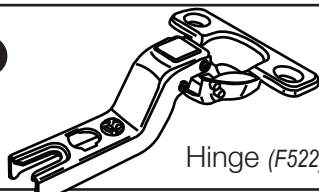
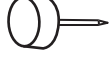


Components - Fittings

If you have damaged or missing components, call the **Customer Helpline: 08456 400800** quoting the reference numbers below

Please check you have all the fittings listed below

Note: The quantities below are the correct amount to complete the assembly. In some cases more fittings may be supplied than are required.

<p>A </p> <p>Wooden dowel (F22) x 2</p>	<p>B </p> <p>Metal dowel (F901) x 4</p>	<p>C </p> <p>Large locking nut (F900) x 4</p>
<p>D </p> <p>Nail (F51) x 16</p>	<p>E </p> <p>40mm Screw (F910) x 6</p>	<p>F </p> <p>19mm Screw (F461) x 4</p>
<p>G </p> <p>13mm Screw (F63) x 8</p>	<p>H </p> <p>Shelf support (F121) x 4</p>	<p>I </p> <p>Handle (F923) x 2</p>
<p>J </p> <p>Hinge plate (F523) x 4</p>	<p>K </p> <p>Hinge (F522) x 4</p>	<p>L </p> <p>Plastic Nail (F91) x 5</p>

Tools required



Rule



Cross-head screwdriver



Scissors



Hammer

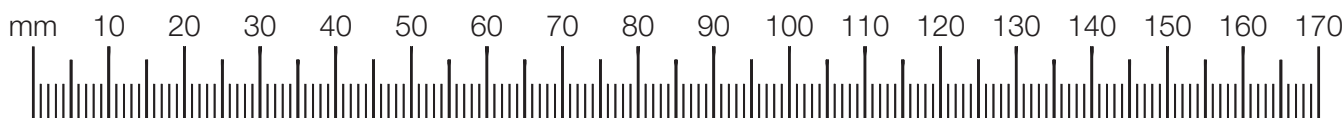


Eye protection (when using a hammer or drill)



Electric drill (only use when drilling into walls)

Ruler - Use this ruler to help correctly identify the screws



Assembly Instructions

If you have damaged or missing components, call the
Customer Helpline: 08456 400800 quoting the reference
numbers below

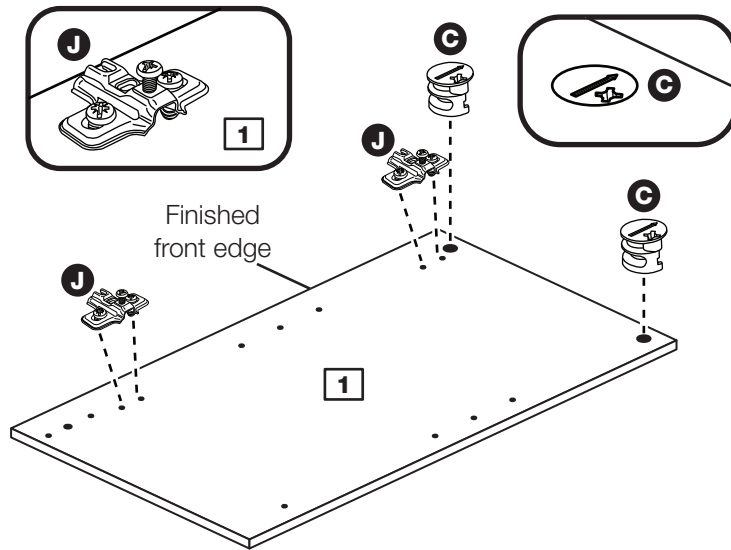
Step 1

Prepare left side

Fit 2 hinge plates **J** onto the left side **1**, making sure that the slot is facing towards the finished front edge.

Insert 2 large locking nuts **C** into the left side **1**.

Note: The arrow on the locking nut **must** point towards the hole in the edge of the panel.



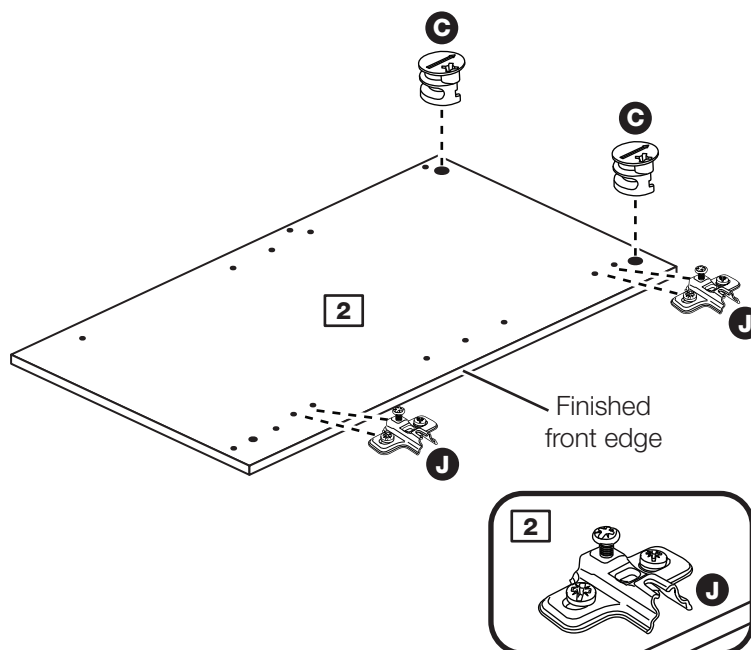
Step 2

Prepare right side

Fit 2 hinge plates **J** onto the right side **2**, making sure that the slot is facing towards the finished front edge.

Insert 2 large locking nuts **C** into the right side **2**.

Note: The arrow on the locking nut **must** point towards the hole in the edge of the panel.

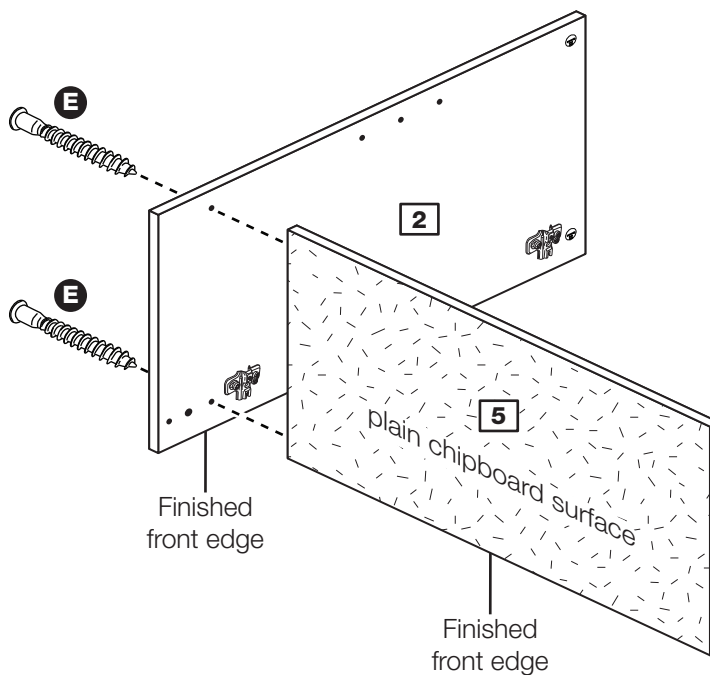


Assembly Instructions

Step 3

Join the right side and base

Attach the base **5** to the right side **2** using 2 screws **E**.

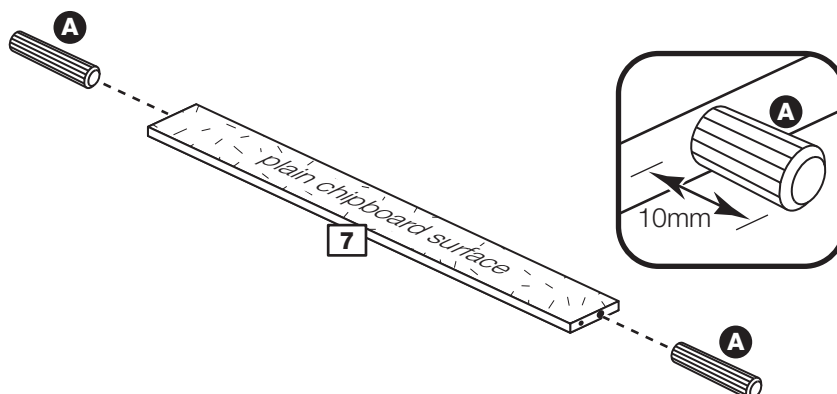


Step 4

Prepare the plinth

Tap 2 wooden dowels **A** into the plinth **7**.

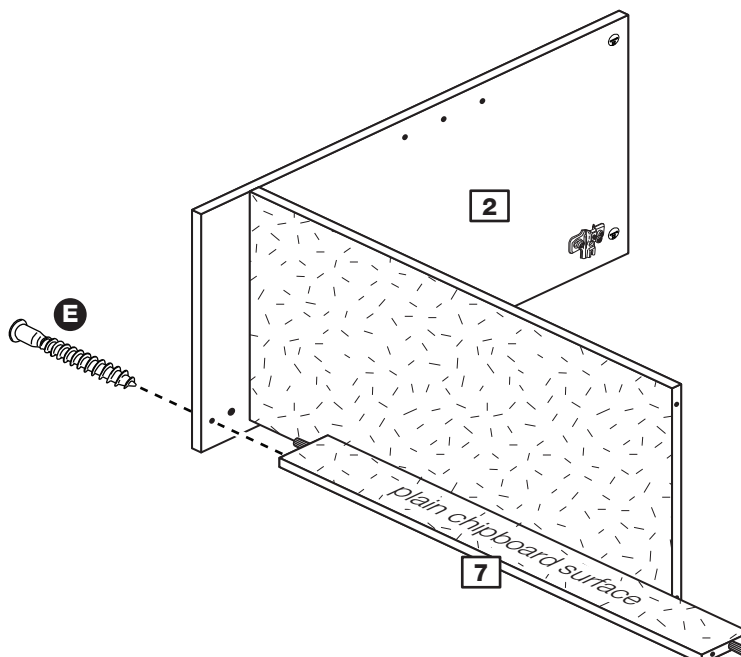
Note: Wooden dowels **must not** stick out from the edge by more than 10mm or they may damage other panels.



Step 5

Fit the plinth

Attach the plinth **7** to the right side **2** using screw **E**.

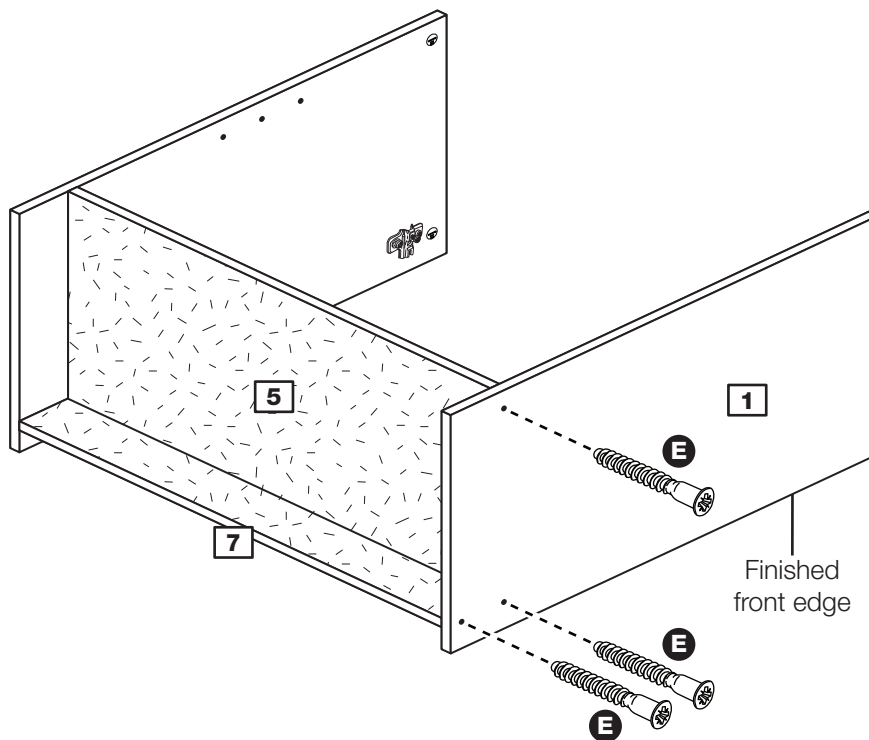


Assembly Instructions

Step 6

Join the left side and base

Attach the left side **1** to the base **5** and plinth **7** using 3 screws **E**.

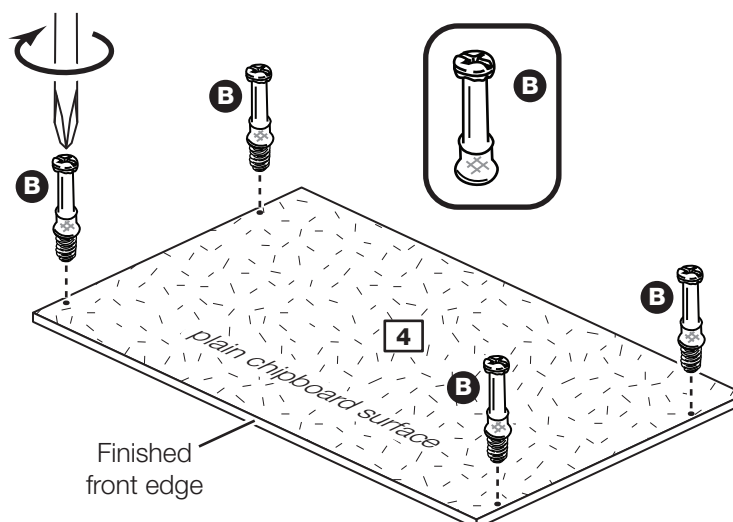


Step 7

Prepare the top

Screw 4 metal dowels **B** into the top **4**.

Note: Tighten the metal dowels up fully against the panels.



Assembly Instructions

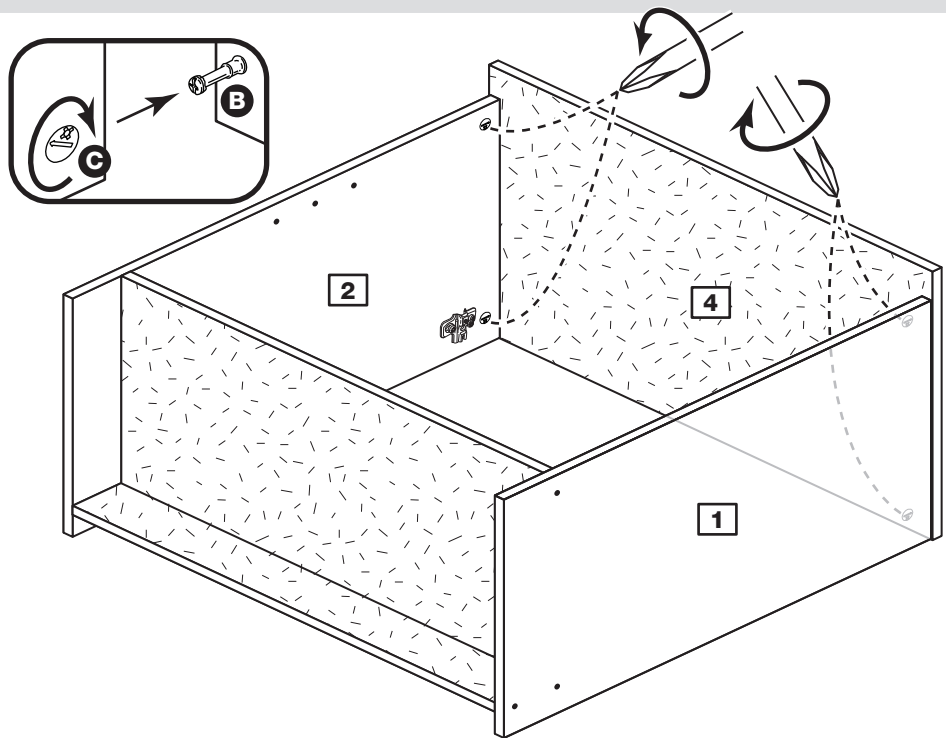
Step 8

Fit top

Push the top **4** onto the side panels **1** and **2**.

Use a screwdriver to tighten the 4 large locking nuts **C** fitted to the inside of the side panels **1** and **2**.

Note: Turn the large locking nuts **C** as far as they will go - more than 1/2 a turn.



Step 9

Fit the back

a: Square up the unit by making sure that measurement **x to x** equals **y to y**.

b: Place the back **8** onto the unit.

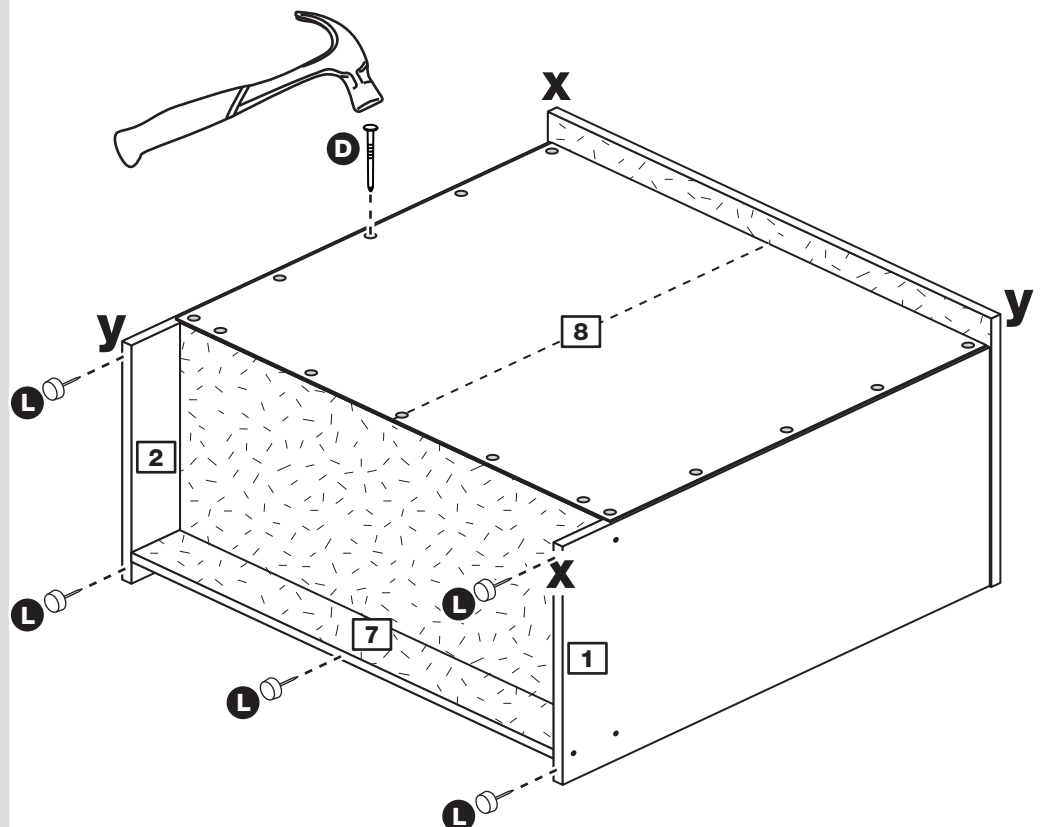
Nail **D** along the sides and bottom edge of the back **8**.

Note: Nails should be spaced about 150mm apart.

Tap 2 plastic nails **L** into the bottom edge of each of the sides **1** and **2** and 1 into the middle of the plinth **7**.

Stand the unit up.

a: The measurement from top corner X to bottom corner X must be equal to the measurement from top corner Y to bottom corner Y



Warning: The unit is heavy. Lift with care.

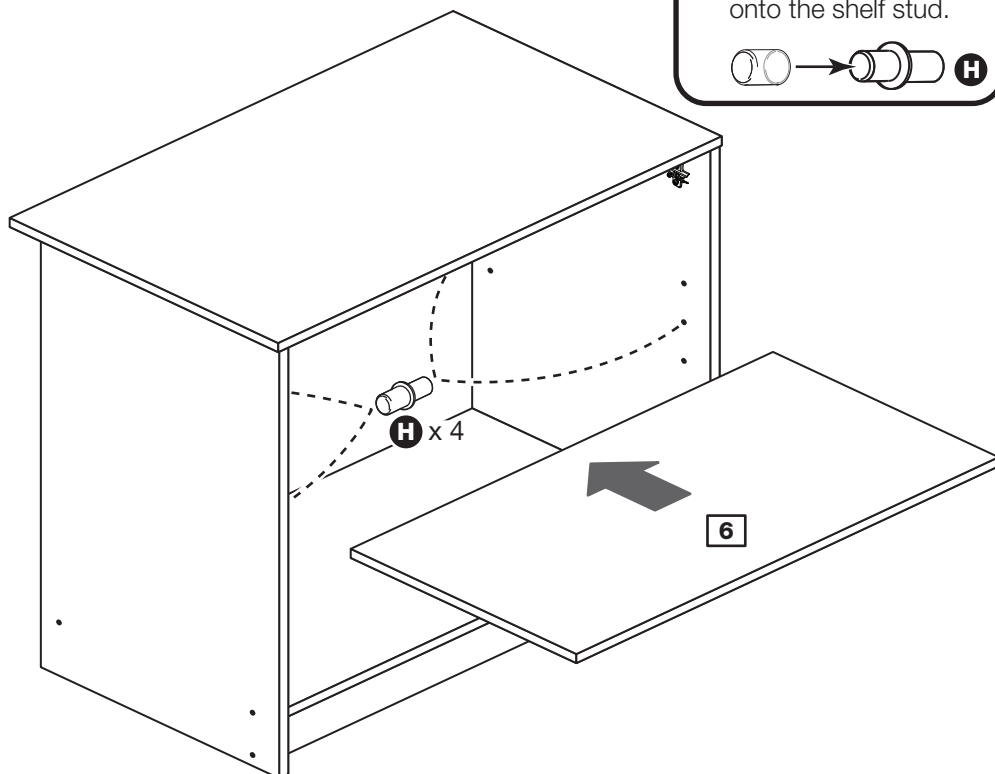
Assembly Instructions

Step 10

Fit the shelf

Insert 4 shelf studs **H** at the required height.

Lower the shelf **6** down onto the shelf studs **H**.



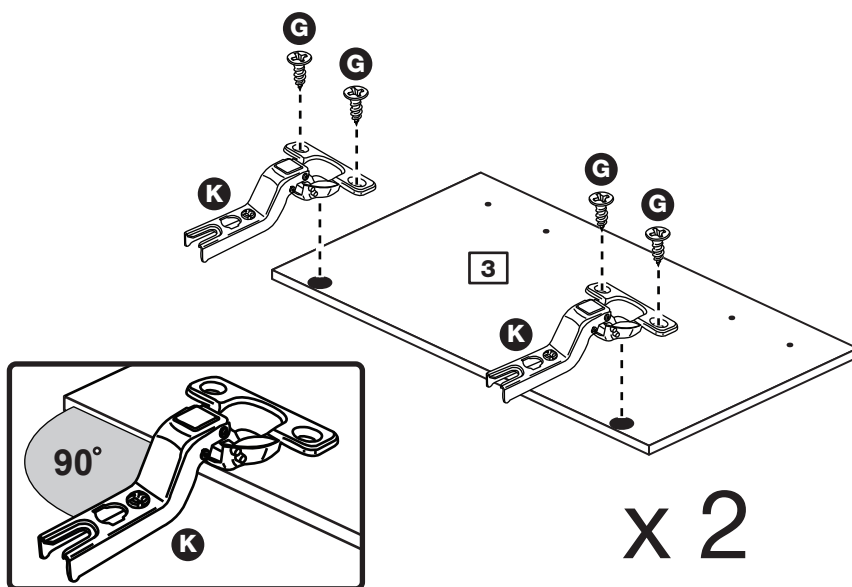
Step 11

Prepare the doors

Push fit 2 hinges **K** into each of the doors **3**.

Secure each hinge with 2 screws **G**.

Note: Before securing with the screws, make sure that the hinges are positioned at 90 degrees with the edge of the door.



Assembly Instructions

Step 12

Prepare the 2 doors

Important: Please follow these instructions carefully.

Lay the doors **3** down onto a smooth surface.

Important: Carefully choose which holes you need to drill.

Check that the holes and hinges are in the same place as the diagrams.

Note: We recommend the use of a small piece of waste wood, placed behind the hole while drilling, to reduce the possibility of any breakout.

Using the pilot holes in the rear face of the door, **3** drill through the 2 holes indicated opposite, using a 2.5mm diameter drill.

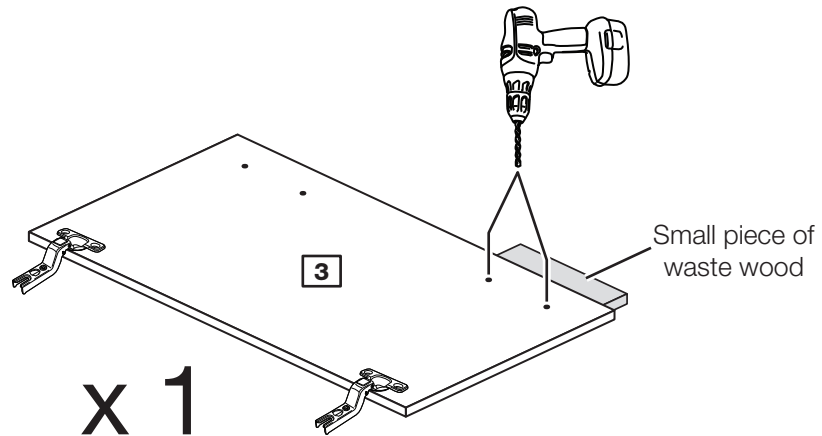
Turn the door **3** over and open out the 2.5mm holes that you have just drilled by drilling back through them with a 5mm drill.

Note: Drill bits are not provided.

IMPORTANT
Carefully choose which 2 holes you will need to drill

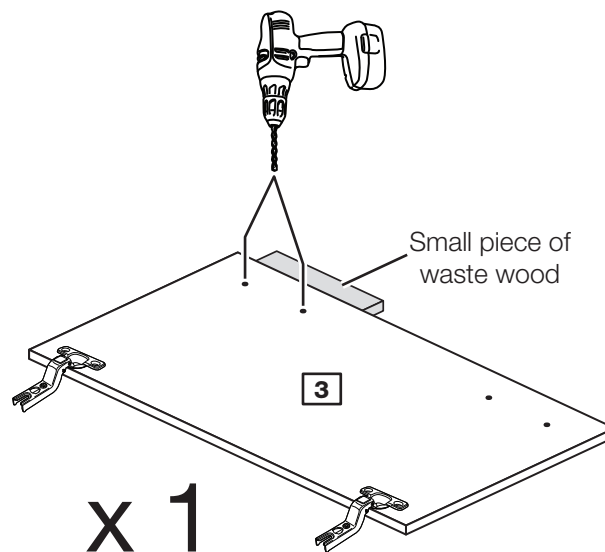
This will be the left door

ONLY drill these 2 holes in ONE door



This will be the right door

ONLY drill these 2 holes in ONE door



Assembly Instructions

Step 13

Fit doors and handles

Note: The easiest way to attach each door **3** is to fit the top hinge first, then align and fit the other hinge.

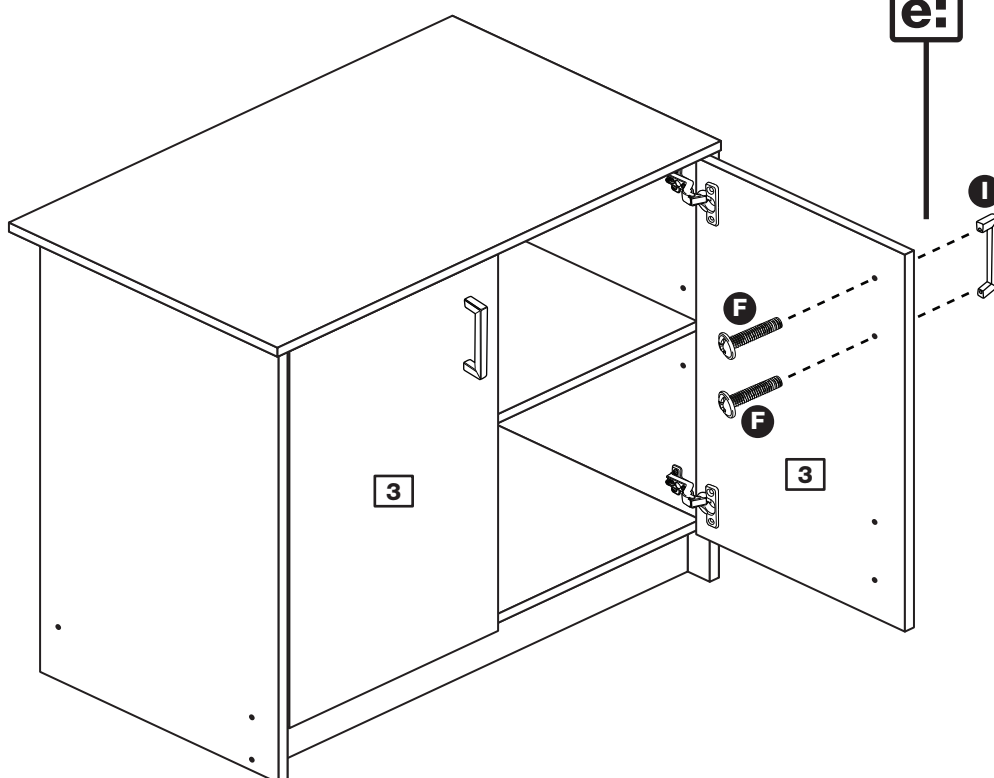
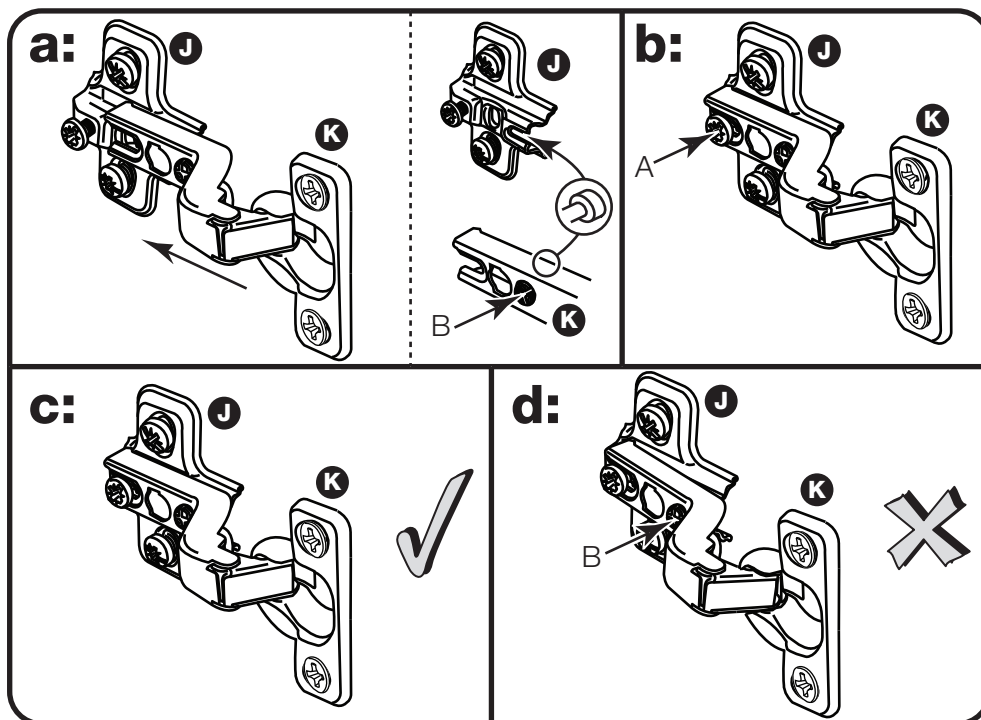
a: Push the hinge **K** onto the front part of the hinge plate **J**. The recess at the bottom of screw B goes into the slot in the hinge plate.

b: Keep the hinge **K** FLAT against the hinge plate **J** as you slide it across as far as it will go. Tighten screw A.

c: The hinge **K** must be flat against the hinge plate **J** prior to any adjustment.

d: The hinge **K** must NOT be AT AN ANGLE to the hinge plate **J** when assembled. This would indicate that the recess at the bottom of screw B had not located in the slot in the hinge plate and the hinge would not be secure. Remove the hinge from the hinge plate and then re-assemble being careful to follow instructions a-c.

e: Attach a handle **I** to each door **3** using 2 screws **F**.



Assembly Instructions

Step 14

Adjust the doors if needed

a: Before adjusting the doors, use a spirit level to check the base (or top) of the unit is level, front-to-back and side-to-side in the 3 positions shown. Use suitable packing pieces (not supplied) to make the unit level BEFORE making any adjustment to the hinges, as shown.

b: Height adjustment.

Loosen screws A on hinge plates and move door up or down as required. Retighten screw A.

c: Forward and Back adjustment.

Loosen screw B on hinge plate and move door in or out as required. Retighten screw B.

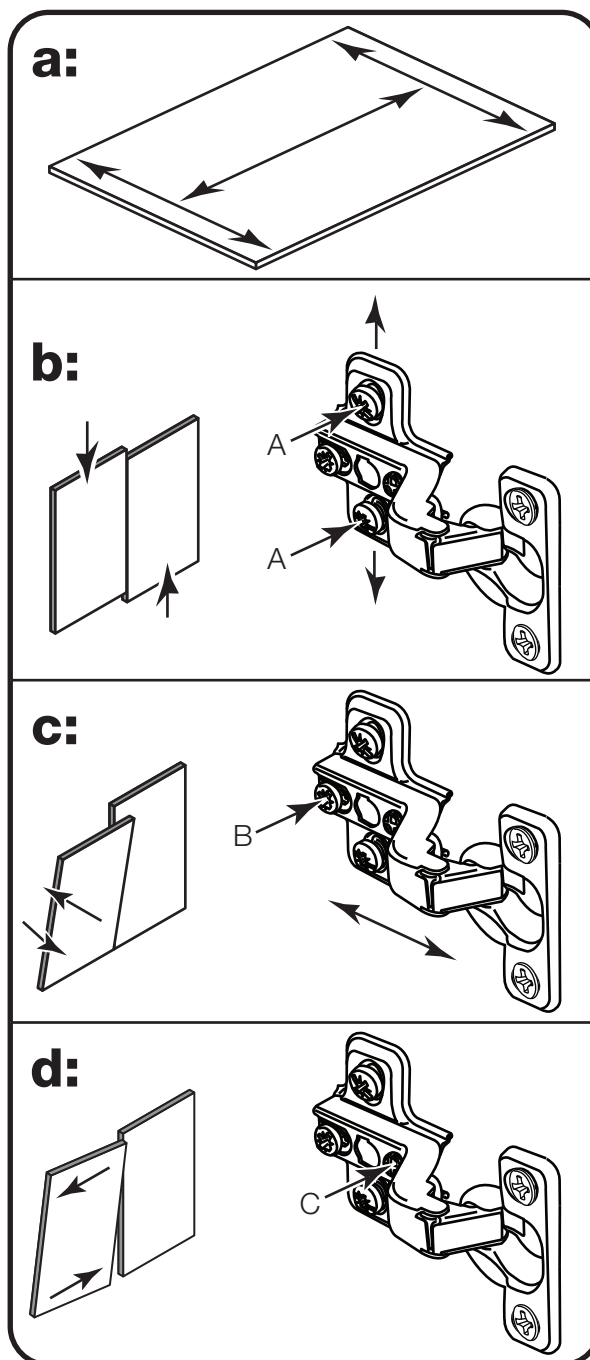
d: Sideways adjustment.

To move door 'out' loosen screw C. To move door 'in' tighten screw C.

Assembly is complete



Warning: The unit is heavy. Lift with care.



If you need help or have damaged or missing parts, call the Customer Helpline: 08456 400800 and quote the reference numbers on the component pages.

Argos Ltd, 489-499 Avebury Boulevard, Central Milton Keynes, MK9 2NW