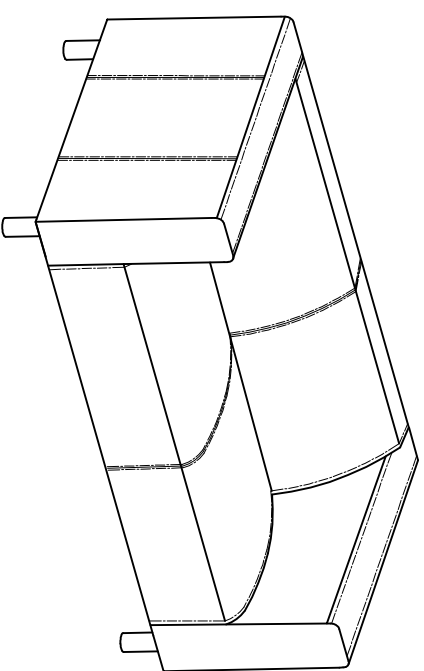


Jasper Compact Sofa

Assembly Instructions - Please keep for future reference



Dimension

Width - 127cm

Length - 83cm

Height - 64,5cm

Important - Please read these instructions fully before starting assembly

If you need help or have damaged or missing parts, call the Customer Helpline: 08456 400800



Safety and Care Advice

Important - Please read these instructions fully before starting assembly

- Check you have all the components and tools listed on pages 2.
- Do not stand or put weight on the product; this could cause damage.
- Remove all fittings from the plastic bags and separate them into their groups.
- Assemble the item as close to its final position (in the same room) as possible.
- Keep children and animals away from the work area; small parts could choke if swallowed.
- Assemble on a soft level surface to avoid damaging the unit or your floor.
- Make sure you have enough space to layout the parts before starting.
- Parts of the assembly will be easier with 2 people.
- Do not tighten all bolts until
- We do not recommend the use of power drill/drivers for inserting screws as this could damage the unit. Only use hand screwdrivers.
- Dispose of all packaging carefully and responsibly.
- Do not tighten all bolts until bed is fully assembled.



We do not recommend the use of power drill/drivers for inserting screws as this could damage the unit. Only use hand screwdrivers.

Care and maintenance

- Only clean using a damp cloth and mild detergent; do not use bleach or abrasive cleaners.
- From time to time check that there are no loose bolts on this unit.
- This product should not be discarded with household waste. Take to your local authority waste disposal centre.

Components - Fittings

Please check you have all the fittings listed below

Note: the quantities below are the correct amount to complete the assembly. In some cases more fittings may be supplied than are required.

A

Leg x 4

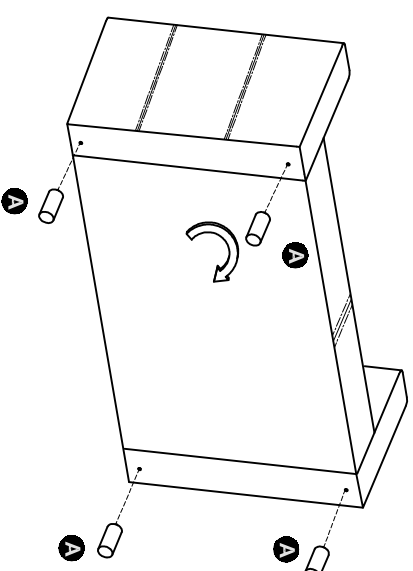


Assembly instructions

Step 1

Attaching legs

a: Insert leg A into armrest and rotate to right.
Repeat this operation for all 4 legs



Note: if required the next page can be cut out and used as reference throughout the assembly. Keep this page with these instructions for future reference.