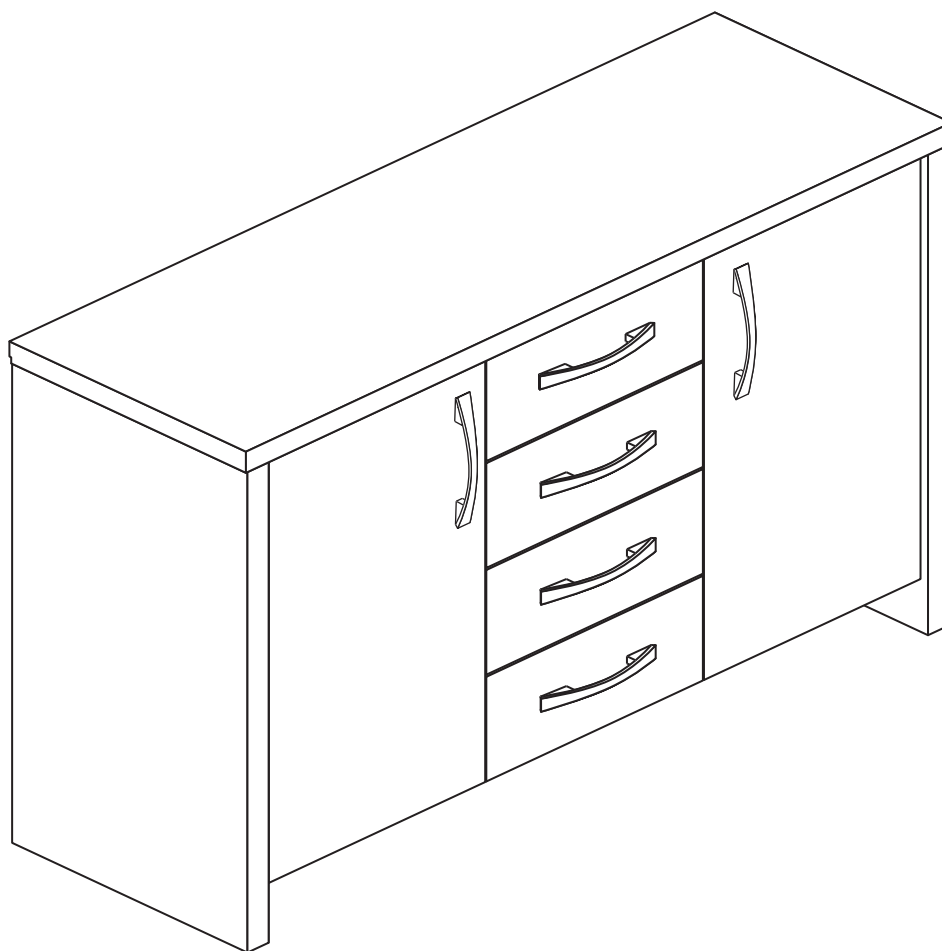


Venice - Sideboard

Assembly Instructions - Please keep for future reference

346/8003

339/7844



Dimensions

Width - 117cm

Depth - 39cm

Height - 83cm



**MADE IN
BRITAIN**

Important - Please read these instructions fully before starting assembly

If you need help or have damaged or missing parts, call the **Customer Helpline: 08456 400800**



Safety and Care Advice

Important - Please read these instructions fully before starting assembly

- **Warning:** This unit weighs approximately 40kgs. Please lift with care.
- Check you have all the components and tools listed on pages 1, 2 and 3.
- Remove all fittings from the plastic bags and separate them into their groups.
- Keep children and animals away from the work area, small parts could choke if swallowed.

- Make sure you have enough space to layout the parts before starting.
- Do not stand or put weight on the product, this could cause damage.
- Assemble the item as close to its final position (in the same room) as possible.
- Assemble on a soft level surface to avoid damaging the unit or your floor (use opened out unit carton).



- We do not recommend the use of power drill/drivers **for inserting screws**, as this could damage the unit. Only use hand screwdrivers.

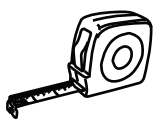
• **Safety note:** It is recommended that this unit is secured to a wall using the bracket supplied.

- Dispose of all packaging carefully and responsibly.

Care and maintenance

- Only clean using a damp cloth and mild detergent, do not use bleach or abrasive cleaners.
- From time to time check that there are no loose screws on this unit.
- This product should not be discarded with household waste. Take to your local authority waste disposal centre.

Tools required



Rule



Cross-head screwdriver



Scissors



Hammer



Eye protection (when using a hammer or drill)



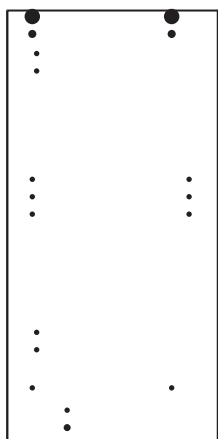
Electric drill

Note: If required the next page can be cut out and used as reference throughout the assembly. Keep this page with these instructions for future reference.

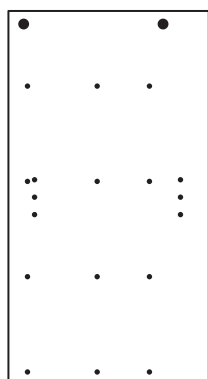
Components - Panels

If you have damaged or missing components, call the **Customer Helpline: 08456 400800** quoting the reference numbers below

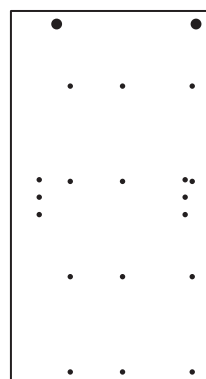
Please check you have all the panels listed below



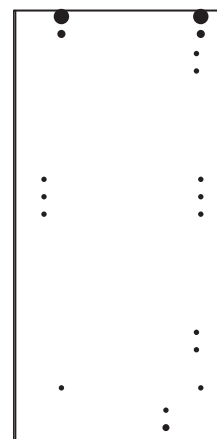
1 Left Side (D1974A)
(796 X 389mm)



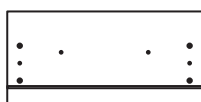
2 Left Upright (D1903A)
(685 x 368mm)



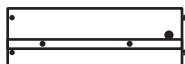
3 Right Upright (D1904A)
(685 x 368mm)



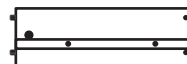
4 Right Side (D1975A)
(796 X 389mm)



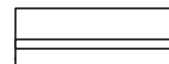
5 Drawer Front (D3077B)
(358 x 171 mm) x 4



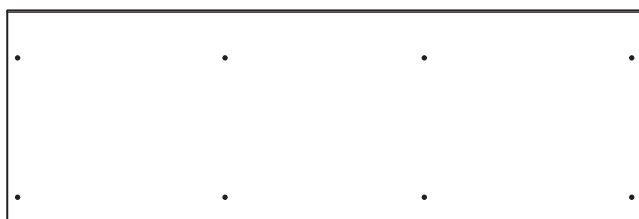
6 Left Drawer Side (W409LH)
(320 x 105mm) x 4



7 Right Drawer Side (W409RH)
(320 x 105mm) x 4



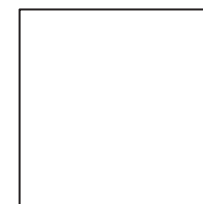
8 Drawer Back (W565)
(302 x 105mm) x 4



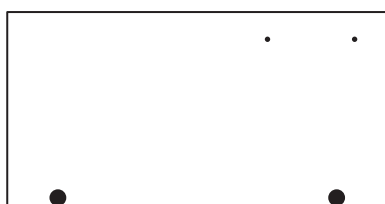
9 Top (D1976A)
(1166 x 391mm)



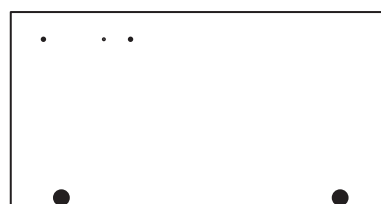
10 Drawer Base (T565)
(313 x 317mm) x 4



11 Shelf (D1977A)
(353 x 364mm) x 2



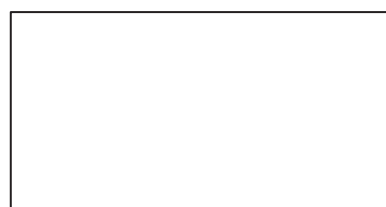
12 Left Hand Door (D3078A)
(698 x 358mm)



13 Right Hand Door (D3079A)
(698 x 358mm)



14 Base (D1978A)
(1090 x 369mm)



16 Back (X941)
(710 x 368mm) x 3
1 BACK WILL BE PLAIN



15 Plinth (D1094A)
(1090 x 96mm)

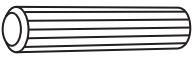
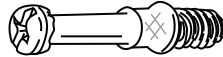
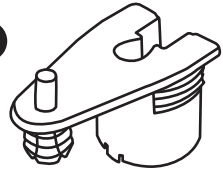
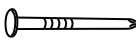




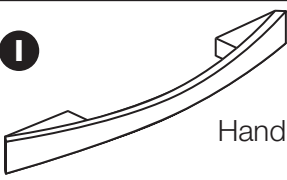



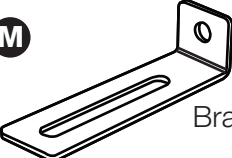


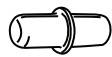

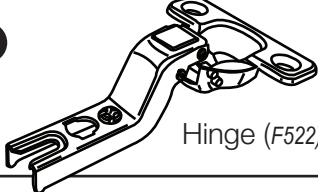



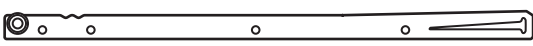
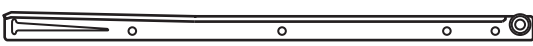


Components - Fittings

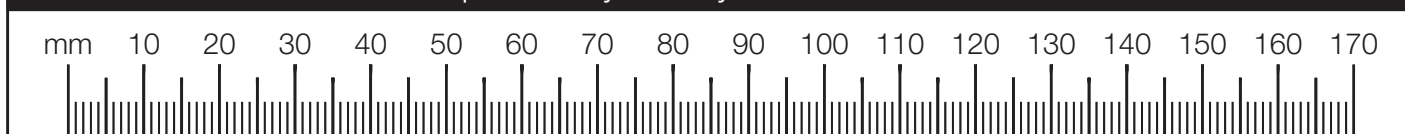
If you have damaged or missing components, call the **Customer Helpline: 08456 400800** quoting the reference numbers below

Please check you have all the fittings listed below

Note: The quantities below are the correct amount to complete the assembly. In some cases more fittings may be supplied than are required.

<p>A </p> <p>Wooden dowel (F22) x 2</p>	<p>B </p> <p>Large Metal dowel (F901) x 18</p>	<p>C </p> <p>Hollow core locking nut (F892) x 4</p>
<p>D </p> <p>Nail (F51) x 23</p>	<p>E </p> <p>Large locking nut (F900) x 10</p>	<p>F </p> <p>Small locking nut (F3) x 8</p>
<p>G </p> <p>Small metal dowel (F893) x 4</p>	<p>H </p> <p>19mm Screw (F461) x 12</p>	<p>I </p> <p>Handle (FBARH128)</p>
<p>J </p> <p>Knock-in Peg (F171GY) x 16</p>	<p>K </p> <p>40mm Screw (F910) x 4</p>	<p>L </p> <p>13mm Screw (F63) x 32</p>
<p>M </p> <p>Bracket (F327) x 1</p>	<p>N </p> <p>13mm Screw (F52) x 24</p>	<p>O </p> <p>Wedgefix (F639) x 8</p>
<p>P </p> <p>Shelf stud (F110) x 8</p>	<p>Q </p> <p>Hinge plate (F523) x 4</p>	<p>R </p> <p>Hinge (F522) x 4</p>
<p>S a </p> <p>L Runner (F159) x 4</p>	<p>T </p> <p>13mm Screw (F79) x 11</p>	
<p>S b </p> <p>R Runner (F160) x 4</p>		
<p>S c </p> <p>L Runner (F161) x 4</p>		
<p>S d </p> <p>R Runner (F162) x 4</p>		

Ruler - Use this ruler to help correctly identify the screws



Assembly Instructions

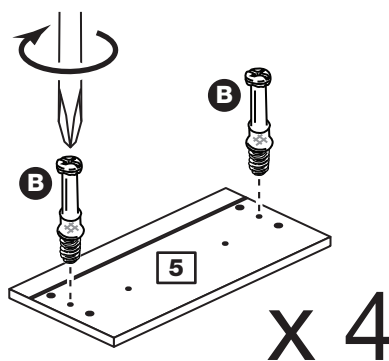
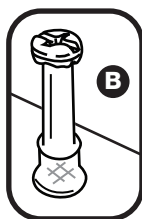
If you have damaged or missing components, call the **Customer Helpline: 08456 400800** quoting the reference numbers below

Step 1

Prepare the 4 drawer fronts

Screw 2 large metal dowels **B** into the holes shown on the back of the drawer front **5**.

Note: Tighten metal dowels up fully against the panels.

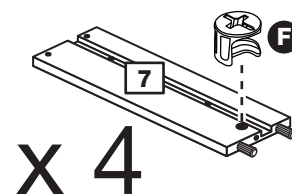
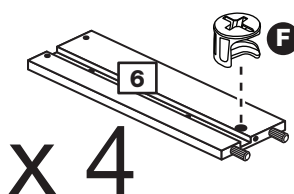
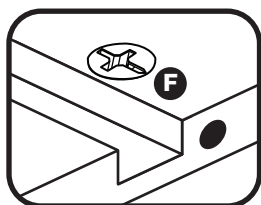


Step 2

Prepare the drawer sides

Insert a small locking nut **F** into the hole shown on the left drawer side **6** and right drawer side **7**.

Note: Arrow on locking nut **must** point towards hole in edge of panel.



Note: Due to the manufacturing process, the holes for the locking nut can be on either surface of the drawer sides.

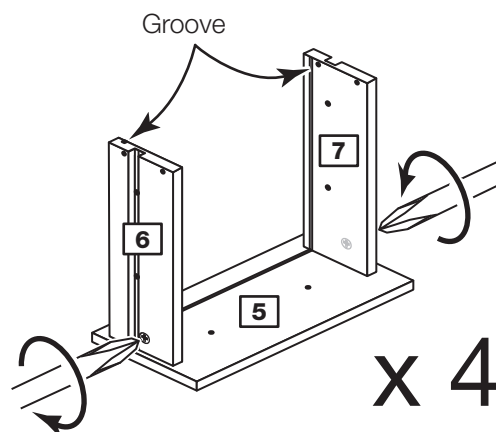
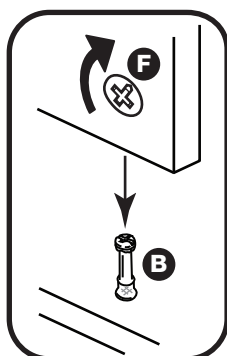
Step 3

Attach the drawer sides to the drawer front

Push the left drawer side **6** and right drawer side **7** onto the back of the drawer front **5**.

Turn the small locking nuts **F** on the left drawer side **6** and right drawer side **7**.

Note: Turn the locking nuts **F** clockwise to secure panels - more than 1/2 a turn.

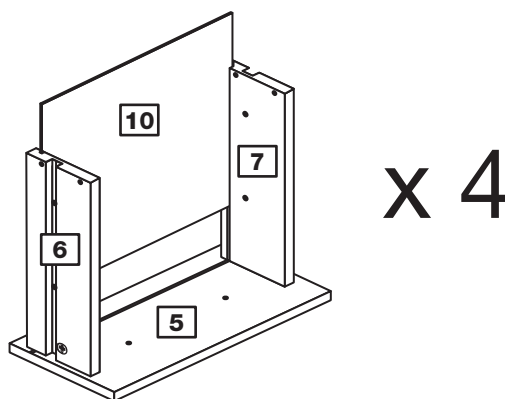


Assembly Instructions

Step 4

Fit the drawer base

Slide the drawer base **10** down the grooves in the drawer sides **6** and **7** and down into the groove in the drawer front **5**.



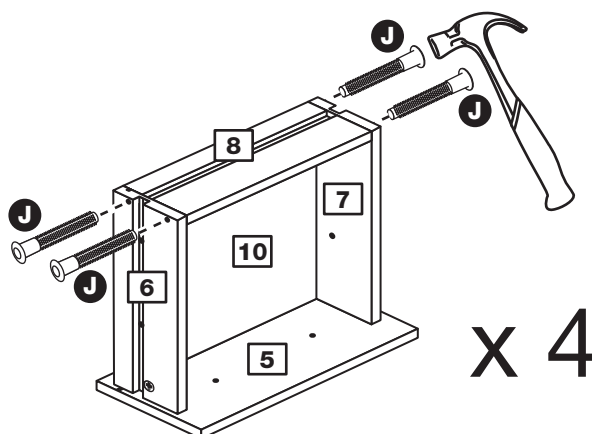
Step 5

Fit the drawer back

Fit the drawer back **8** between the drawer sides **6** and **7**.

Make sure that the drawer base **10** fits into the groove in the drawer back **8**.

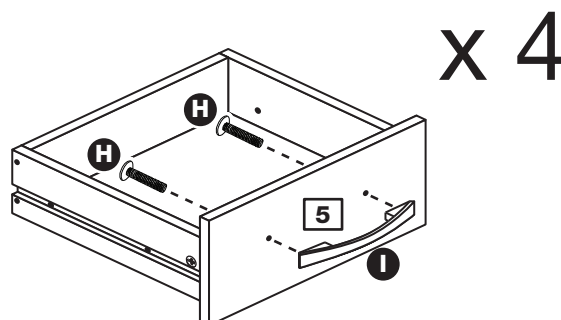
Hold the drawer back **8** in position and tap the knock-in pegs **J** through the holes in the drawer sides **6** and **7**.



Step 6

Attach the handle

Attach the handle **I** to the drawer front **5** using screws **H**.



Assembly Instructions

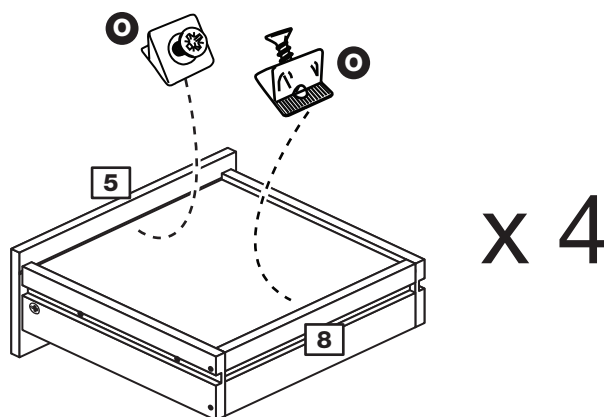
Step 7

Fit the wedgfixes

Turn the 4 drawer assemblies over and fit 2 wedgfixes **o** to each one.

Slide a wedgfix **o** into the centre of the small groove located on the back of the drawer front **5** and the drawer back **8**.

Once in place, tighten up the screws in the wedgfixes **o**.

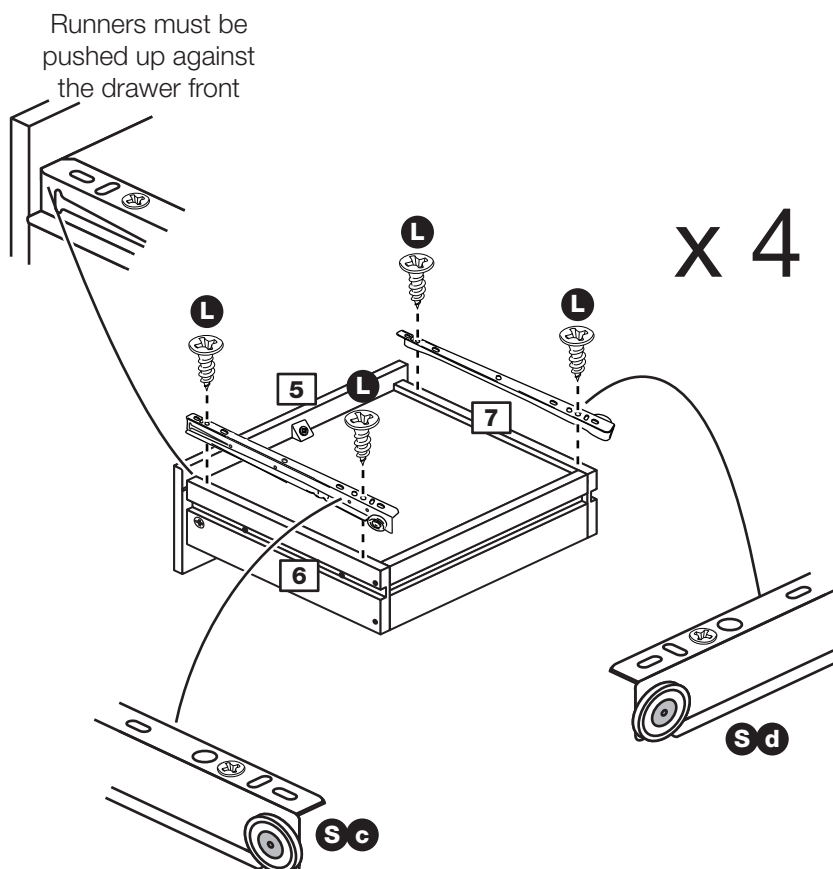


Step 8

Fit runners to the drawers

Fit the runner **S c** to the bottom edge of the left drawer side **6**, as shown, making sure that it is pushed up against the back of the drawer front **5**. Use a bradawl to mark the fixing positions, then secure with 2 screws **L**.

Fit the runner **S d** to the bottom edge of the right drawer side **7** using the same method.



Assembly Instructions

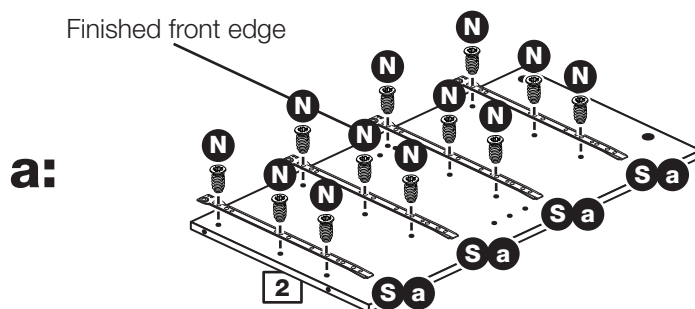
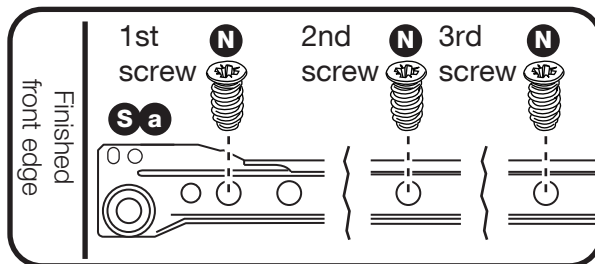
Step 9

Prepare the left upright

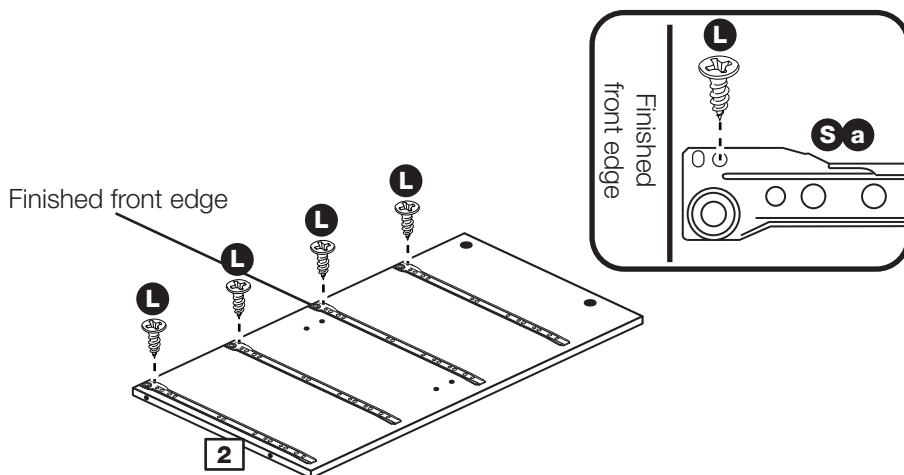
a: Fit 4 runners **Sa** to the left upright **2**.

The 1st screw **N** uses the 2nd hole from the front of the runner.

The 2nd and 3rd screws **N** use the holes that line up with the other panel holes.

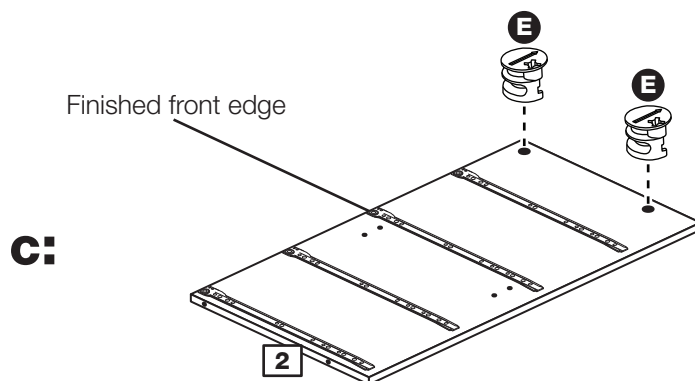


b: Fit a screw **L** into the 2nd hole in at the top of the runner **Sa**.



c: Insert 2 large locking nuts **E** into the left upright **2**.

Note: Arrow on locking nut **must** point towards hole in edge of panel.



Assembly Instructions

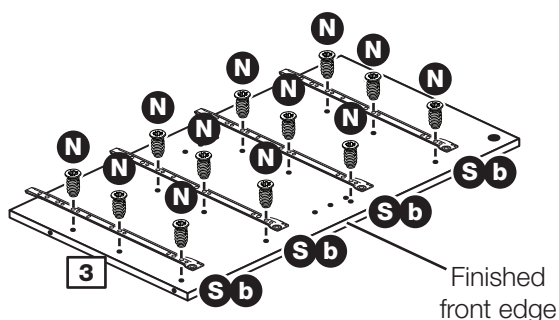
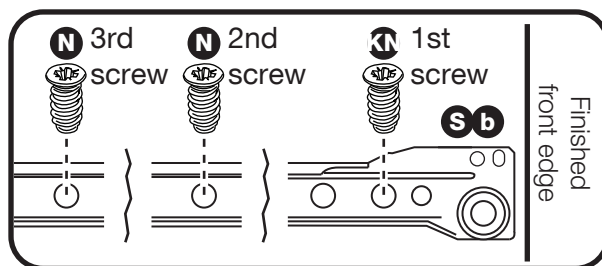
Step 10

Prepare the right upright

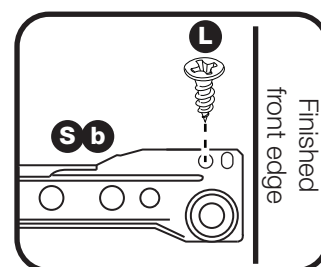
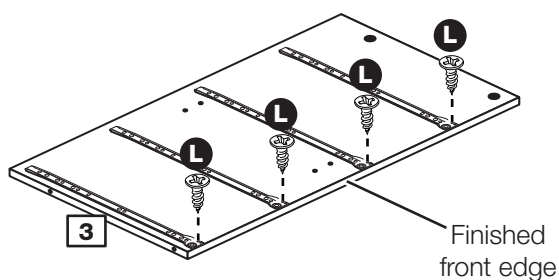
a: Fit 4 runners **S b** to the right upright **3**.

The 1st screw **N** uses the 2nd hole from the front of the runner.

The 2nd and 3rd screws **N** use the holes that line up with the other panel holes.

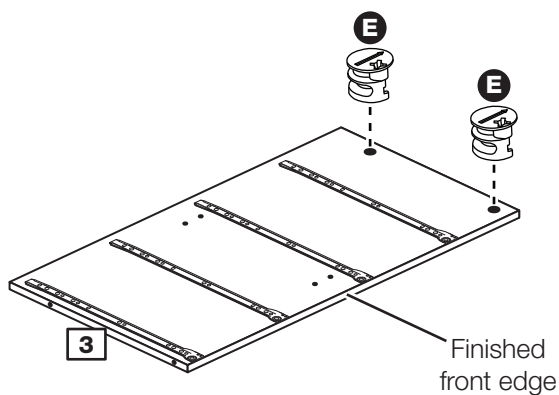


b: Fit a screw **L** into the 2nd hole in at the top of the runner **S b**.



c: Insert 2 large locking nuts **E** into the right upright **3**.

Note: Arrow on locking nut **must** point towards hole in edge of panel.



Assembly Instructions

Step 11

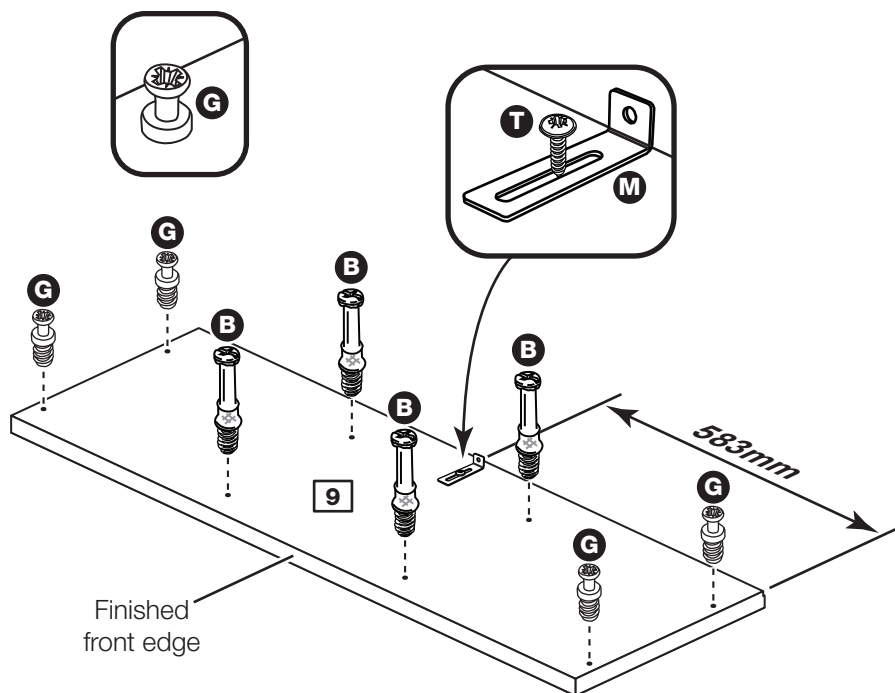
Prepare the top

Screw 4 small metal dowels **G** into the holes in the top **9**.

Screw 4 large metal dowels **B** into the holes in the top **9**.

Note: Tighten metal dowels up fully against the panels.

Fix a bracket **M** flush to the front edge of the groove in the top **9**, 583mm in from the side, using screw **T**.



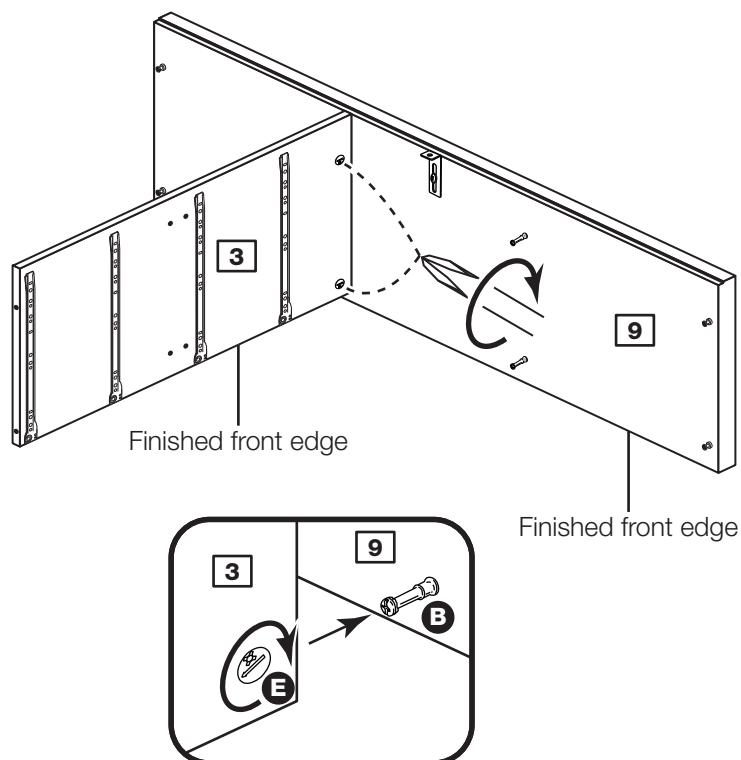
Step 12

Join the top and right upright

Push the right upright onto the top **9**.

Use a screwdriver to tighten the 2 large locking nuts **E** fitted to the right upright **3**.

Note: Turn the large locking nuts **E** as far as they will go - more than 1/2 a turn.



Assembly Instructions

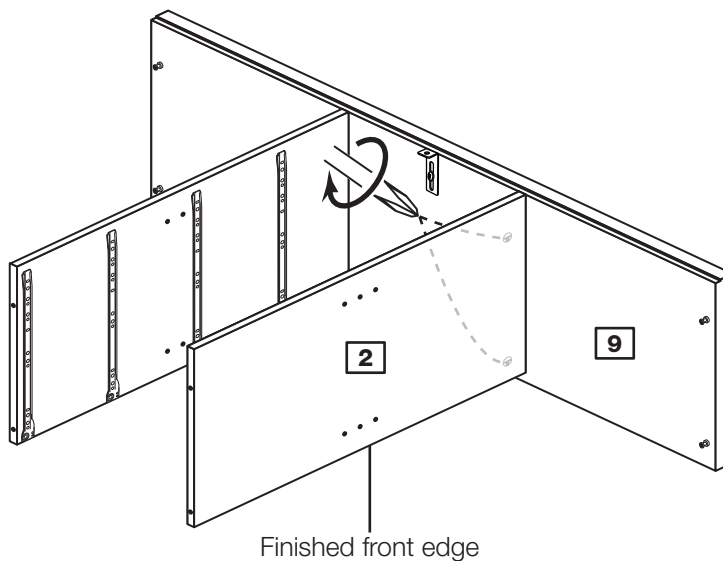
Step 13

Fit the left upright

Fit the left upright **2** onto the top **9**.

Use a screwdriver to tighten the 2 large locking nuts **E** fitted to the left upright **2**.

Note: Turn the large locking nuts **E** as far as they will go - more than 1/2 a turn.

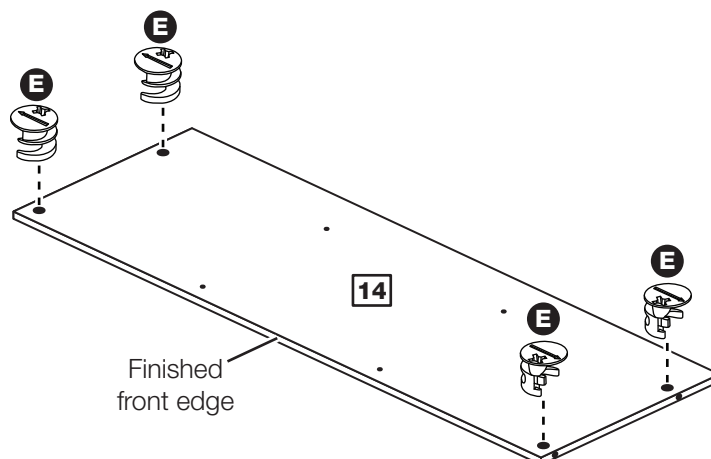


Step 14

Prepare the base

Insert 4 large locking nuts **E** into the base **14**.

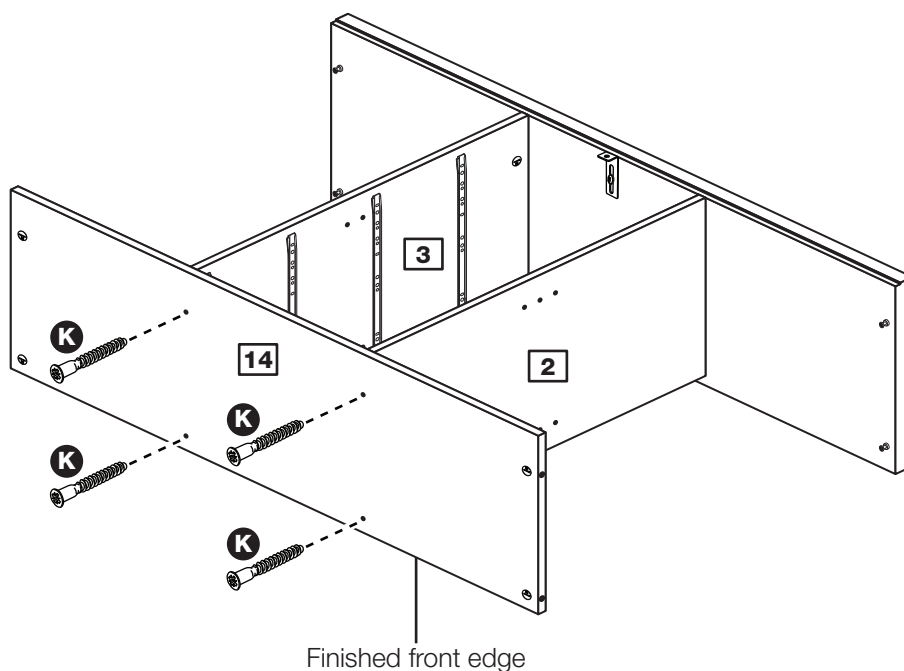
Note: Arrow on locking nut **must** point towards hole in edge of panel.



Step 15

Fit the base

Attach the base **14** to the left upright **2** and right upright **3** using the 4 screws **K**.



Assembly Instructions

Step 16

Prepare the left side

Screw 3 large metal dowels **B** into the holes shown on the left side **1**.

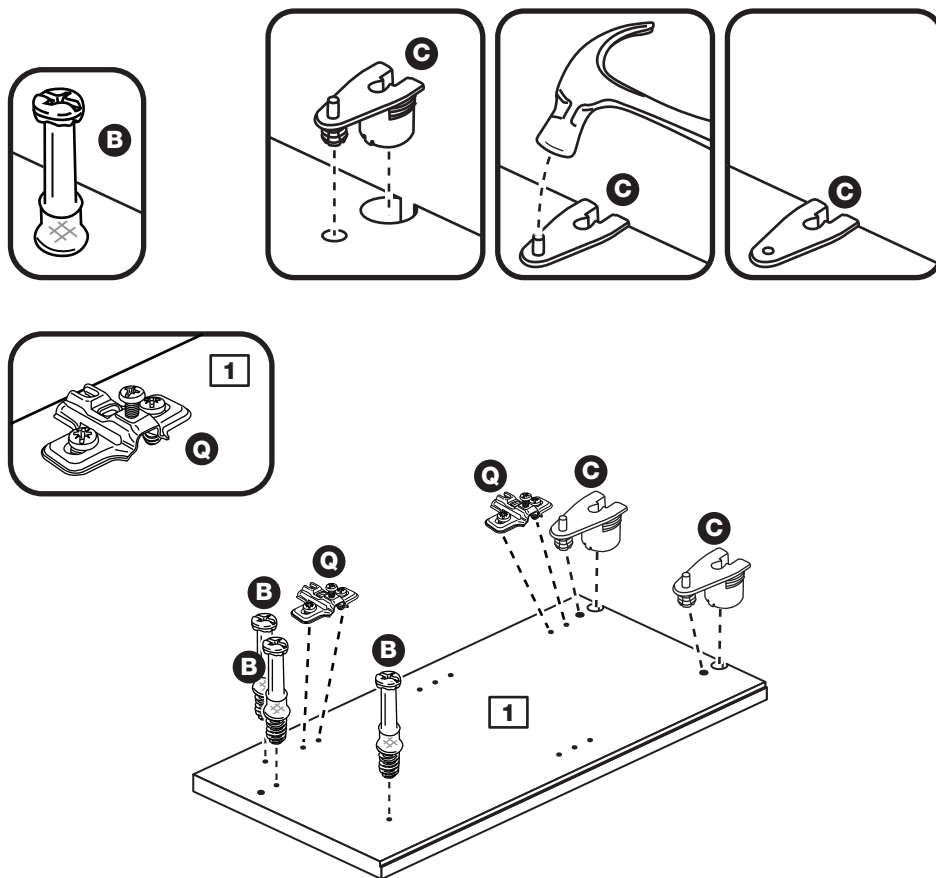
Note: Tighten the metal dowels up fully against the panels.

Push 2 hollow core locking nuts **C** into the left side **1**, making sure that they are flush against the panel's surface.

Using a hammer, tap in the pin on the hollow core locking nut **C**.

Note: The pin should be tapped in flush with the top surface of the hollow core locking nut **C**.

Fit 2 hinge plates **Q** onto the left side **1**, making sure that the slot is facing towards the finished front edge.



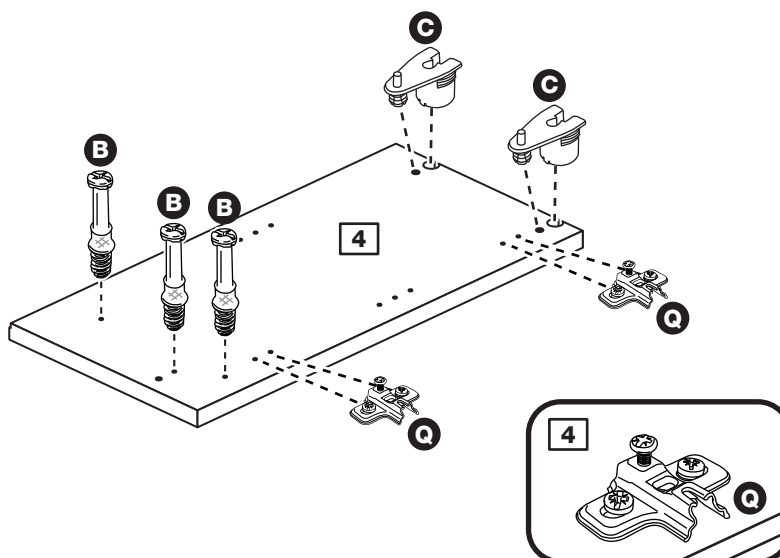
Step 17

Prepare the right side

Screw 3 large metal dowels **B** into the holes shown on the right side **4**.

Push 2 hollow core locking nuts **C** into the right side **4**, and fix them as you did in step 15.

Fit 2 hinge plates **Q** onto the right side **4**, making sure that the slot is facing towards the finished front edge.



Assembly Instructions

Step 18

Fit the right side

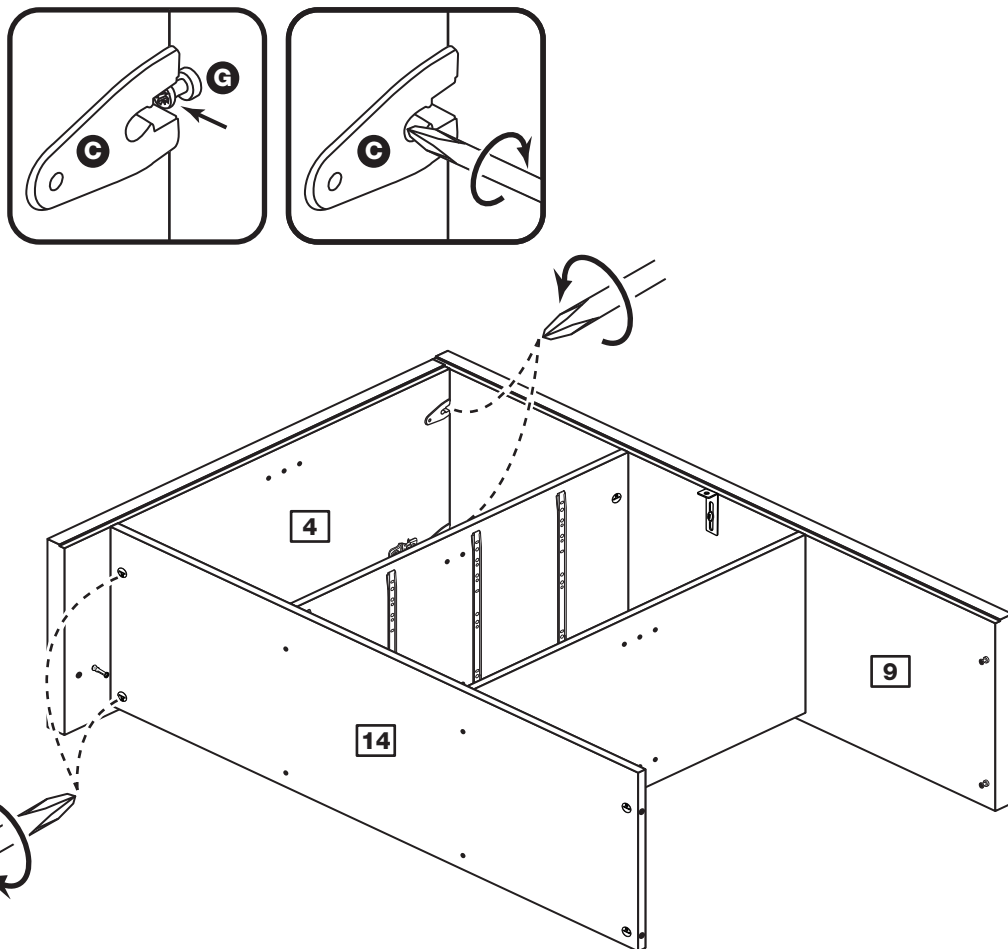
Push the right side **4** onto the top **9** and the base **14**.

The 2 small metal dowels **G** fitted to the top **9** must slide into the top of the 2 hollow core locking nuts **C** fitted to the right side **4**.

Insert a screwdriver into the 2 hollow core locking nuts **C** and turn the nuts inside as far as they will go.

Use a screwdriver to tighten the 2 large locking nuts **E** fitted to the base **14**.

Note: Turn the large locking nuts **E** as far as they will go - more than 1/2 a turn.



Step 19

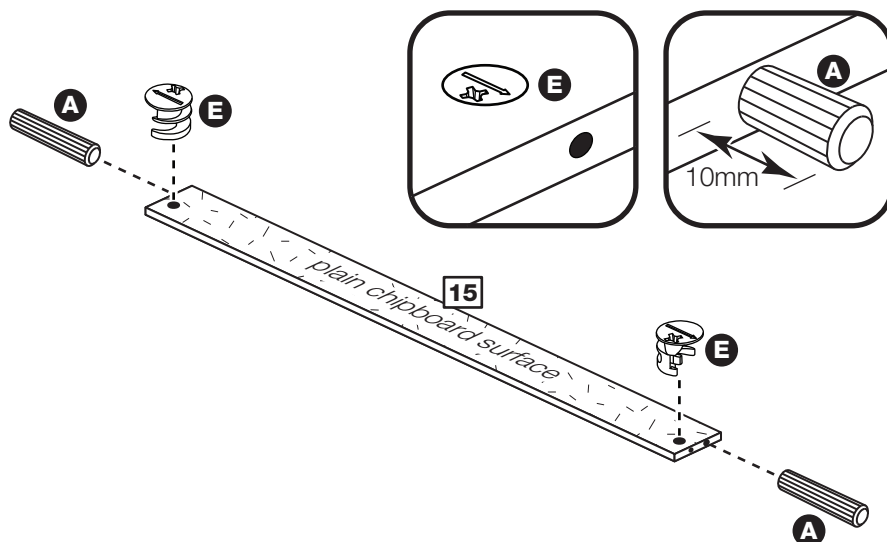
Prepare the plinth

Tap 2 wooden dowels **A** into the plinth **15**.

Note: Wooden dowels **must not** stick out from the edge by more than 10mm or they may damage other panels.

Insert 2 large locking nuts **E** into the plinth **15**.

Note: The arrow on the locking nuts **must** point towards the hole in the edge of the panel.



Assembly Instructions

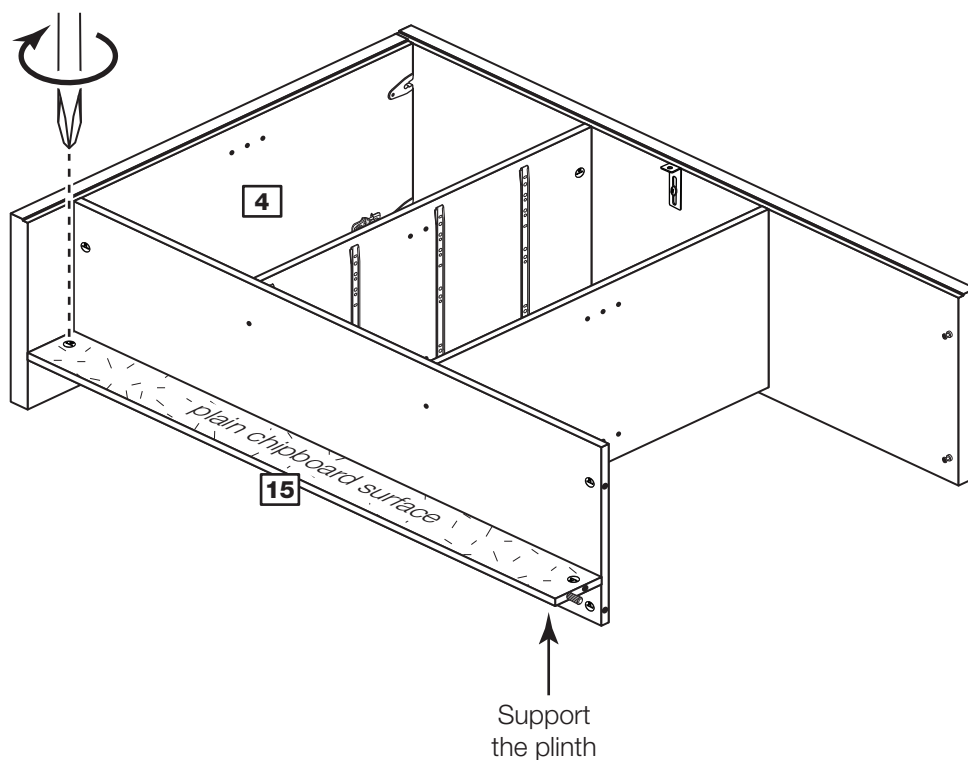
Step 20

Fit the plinth

Push the plinth **15** onto the right side **4**.

Use a screwdriver to tighten the large locking nut **E** fitted to the plinth **15**.

Note: Turn the large locking nut **E** as far as they will go - more than 1/2 a turn.



Step 21

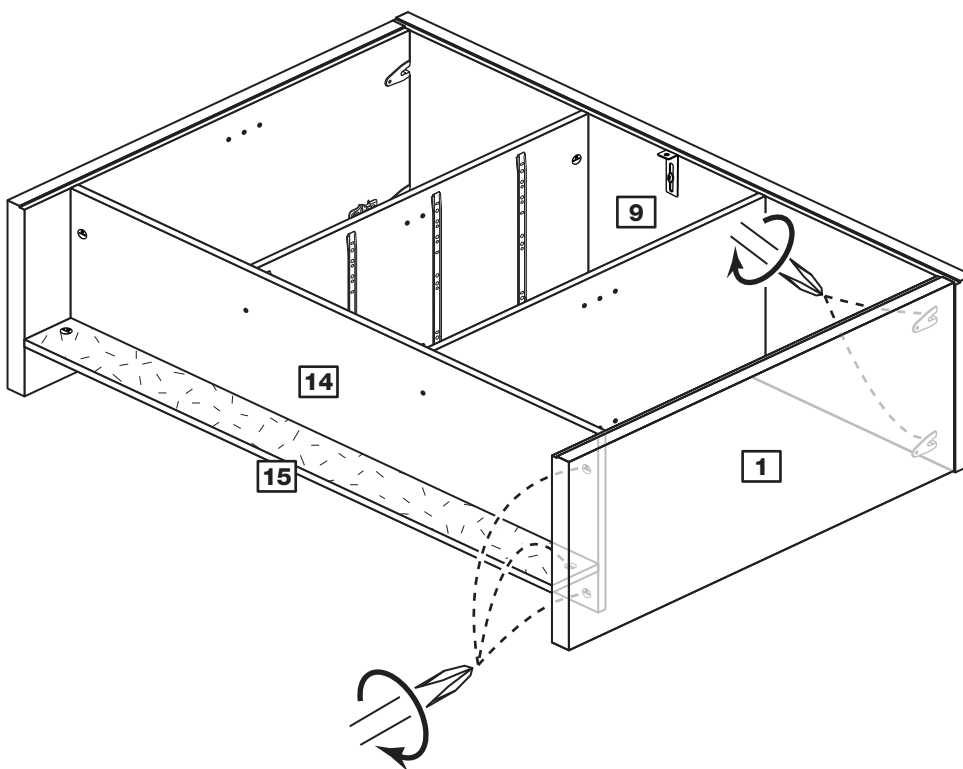
Fit the left side

Push the left side **1** onto the assembly.

The 2 small metal dowels **G** fitted to the top **9** must slide into the top of the 2 hollow core locking nuts **C** fitted to the left side **1**.

Insert a screwdriver into the 2 hollow core locking nuts **C** and turn the nuts inside as far as they will go.

Use a screwdriver to tighten the 3 large locking nuts **E** fitted to the base **14** and the plinth **15**.



Assembly Instructions

Step 22

Fit the back panels

a: Square up the unit by making sure that measurement **x:x equals y:y**.

Make sure that the 3 backs **16** are pushed up tight against each other and that they meet in the centre of the 2 upright panels' edge. Fit the plain back in the centre section.

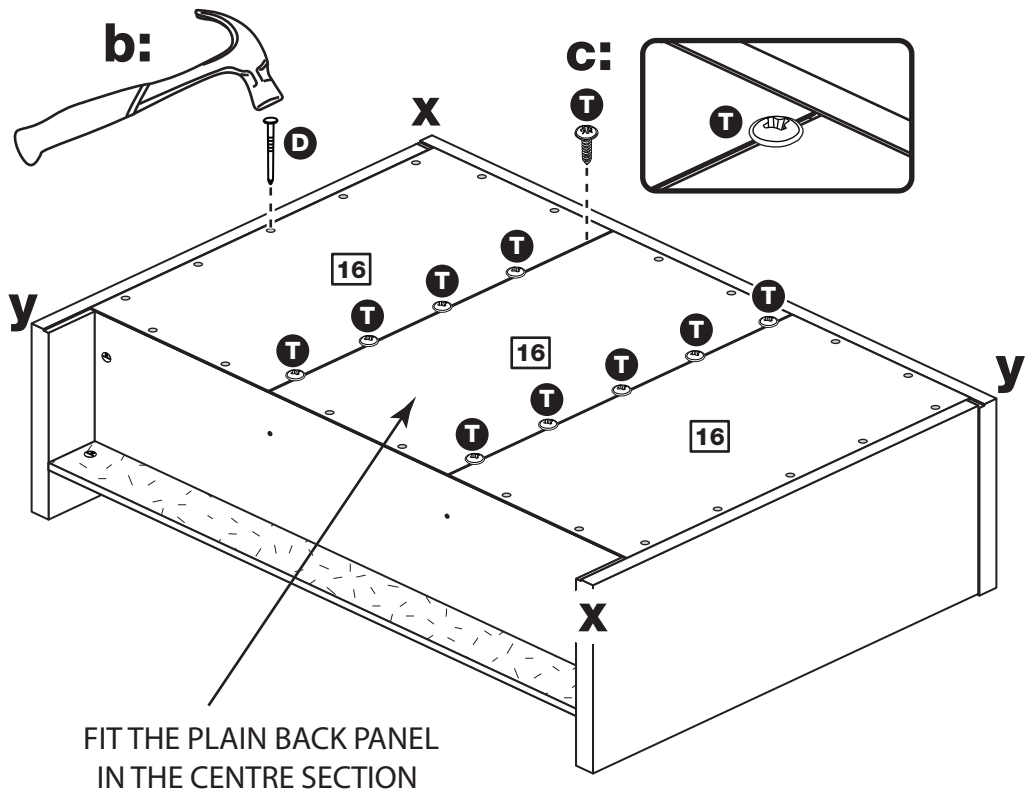
b: Nail **D** around the outside edges of the 3 backs **16**, as shown.

Note: Do not nail along the edges of the backs where they meet. Nails should be spaced about 150mm apart.

b: Using the screws **T**, screw down between where 2 backs meet and into the back edge of the upright panels.

Stand the unit up for the next step.

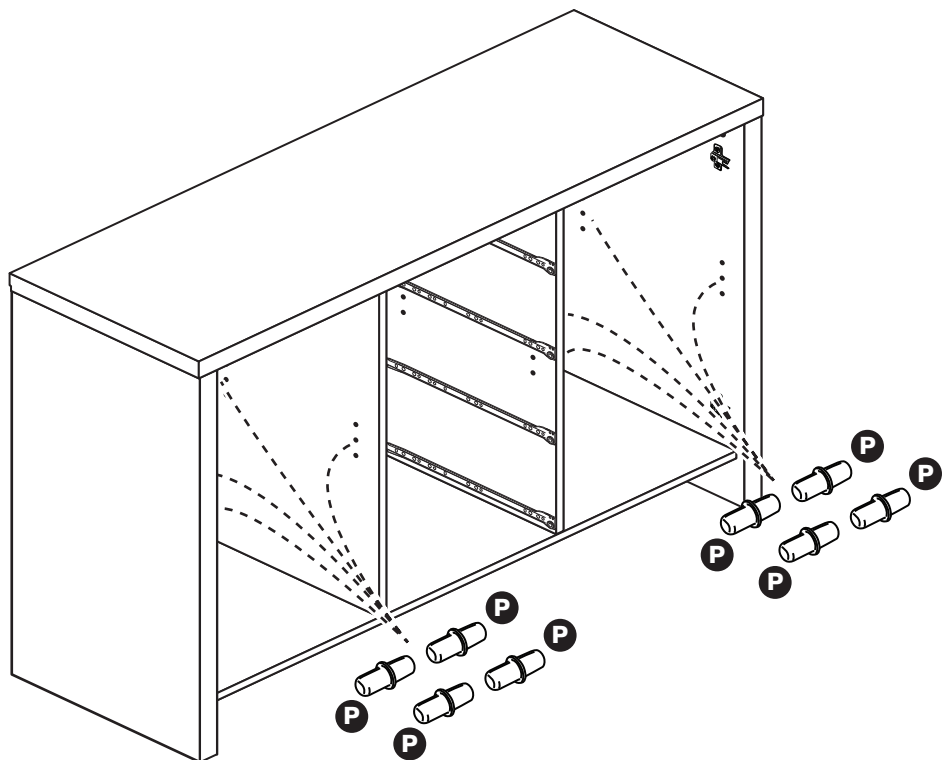
a: The measurement from top corner X to bottom corner X must be equal to the measurement from top corner Y to bottom corner Y



Step 23

Fit the shelf studs

Push 8 shelf studs **P**, as shown, into the side and upright panels at the desired height for the 2 shelves.



Assembly Instructions

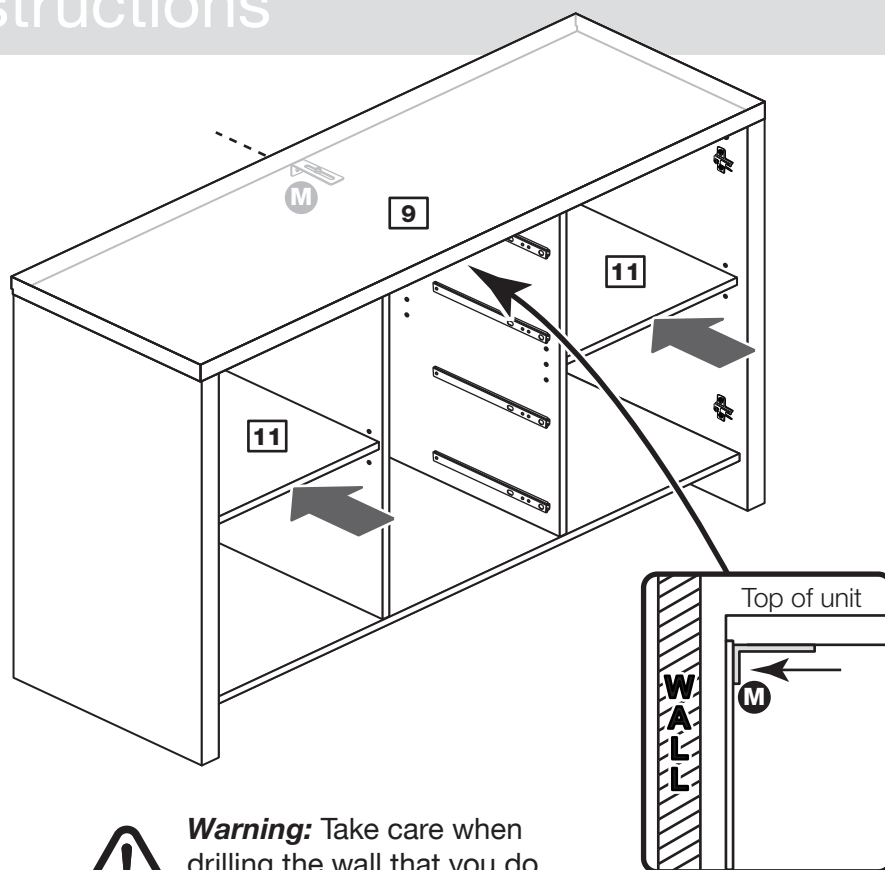
Step 24

Secure the unit to a wall and fit the shelves

To prevent possible overbalancing we recommend that this unit is secured to a suitable wall by use of the metal bracket **M** fitted under the top **9** of the unit.

Fixings are not supplied as they will need to suit the wall type, and the length of screw will depend on the distance of the back of the unit to the wall.

Insert the 2 shelves **11** onto the shelf studs **P** fitted in the previous step.

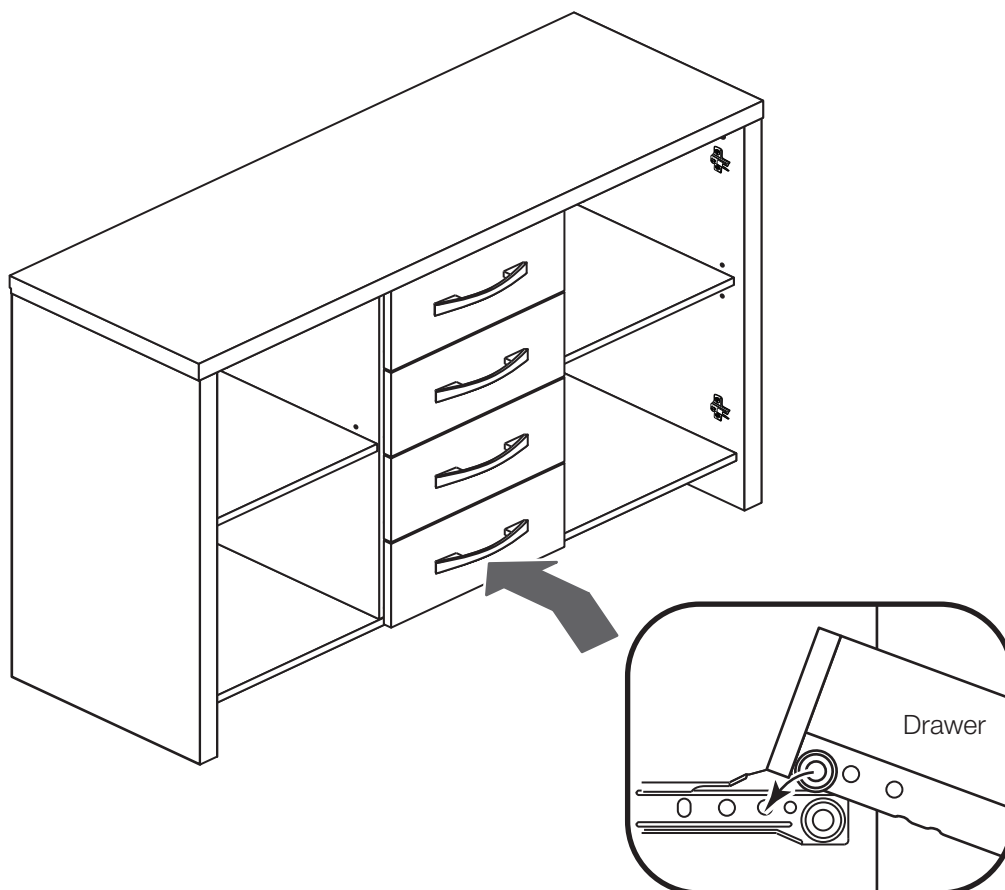


Warning: Take care when drilling the wall that you do not drill into any pipes, wires etc. If in doubt, consult an expert.

Step 25

Fit the drawers

Slide the wheels of the runners fitted to the drawer over the wheels of the runners fitted to the upright panels and push the drawer into position.



Assembly Instructions

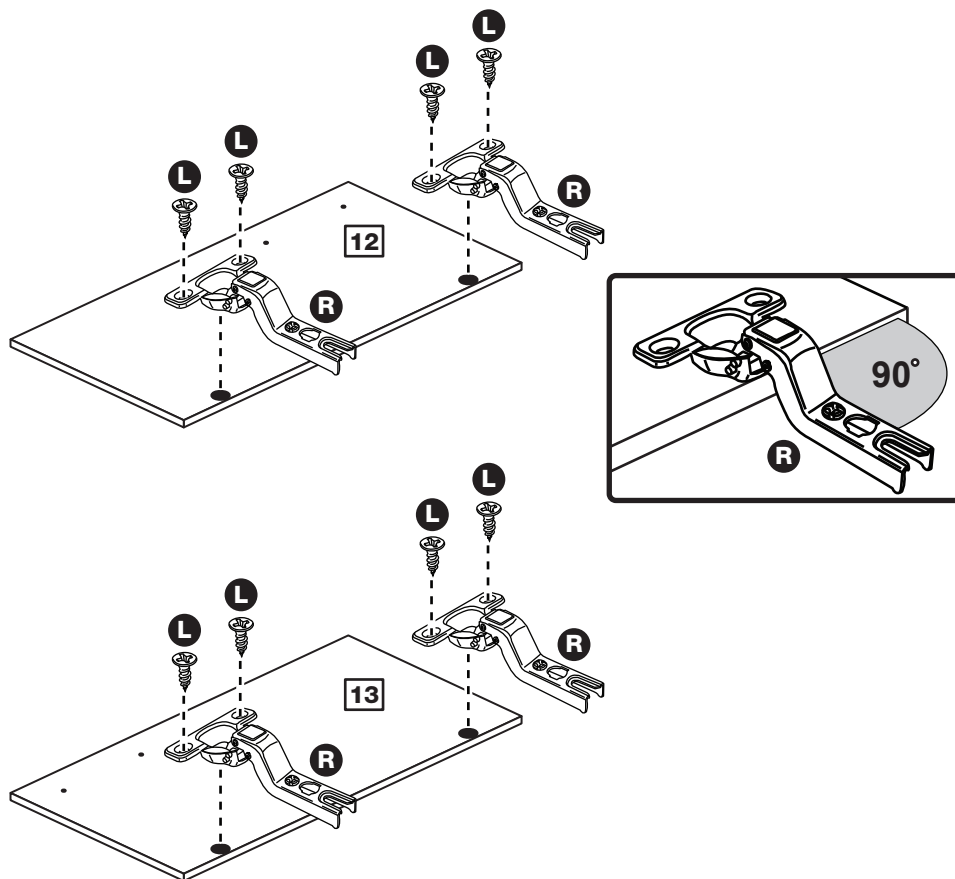
Step 26

Prepare the 2 doors

Push fit 2 hinges **R** into the left hand door **12** and right hand door **13**.

Secure each hinge **R** with 2 screws **L**.

Note: Before securing with the screws, make sure that the hinges are positioned at 90 degrees with the front edge of the



Assembly Instructions

Step 27

Fit doors and handle

2 people are needed here

Note: The easiest way to attach each door **12** and **13** is to fit the top hinge first, then align and fit the other hinge.

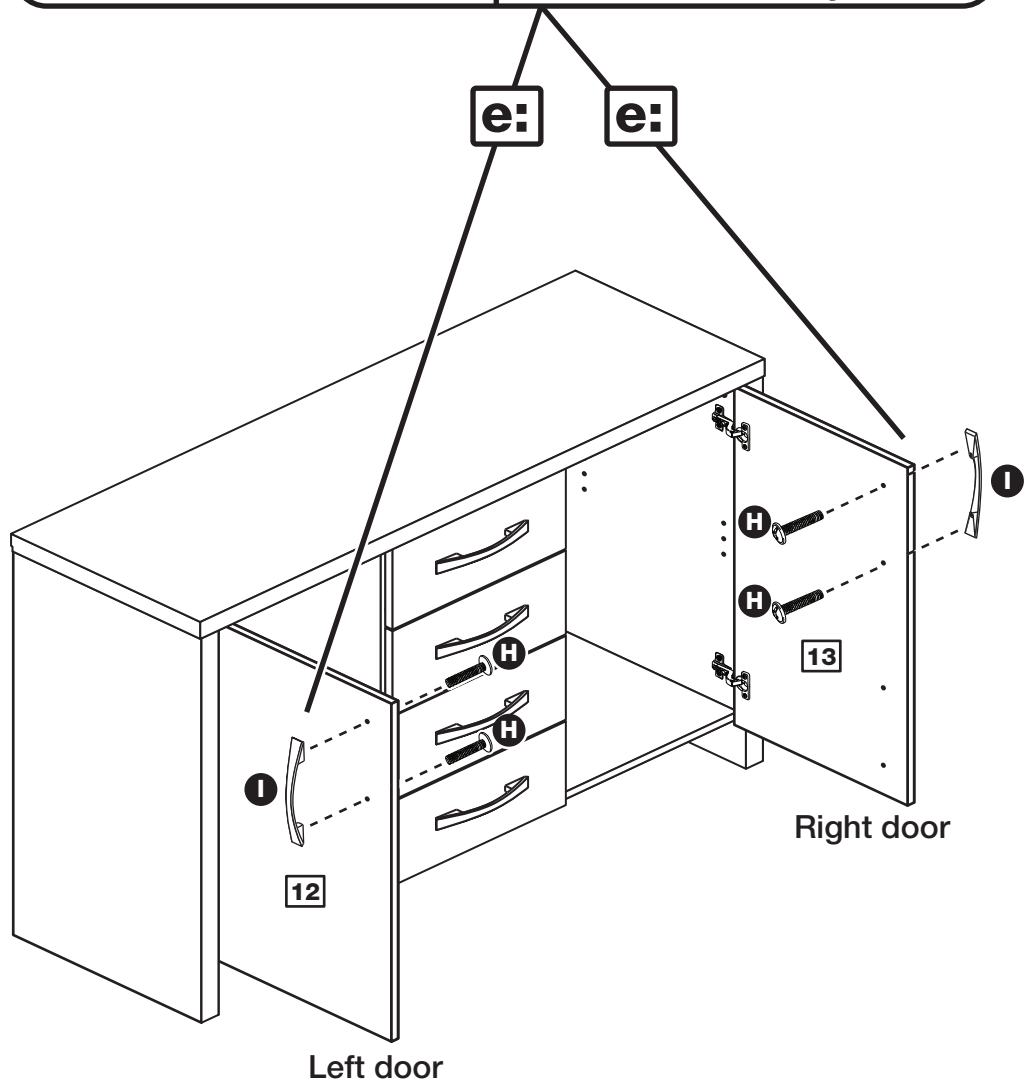
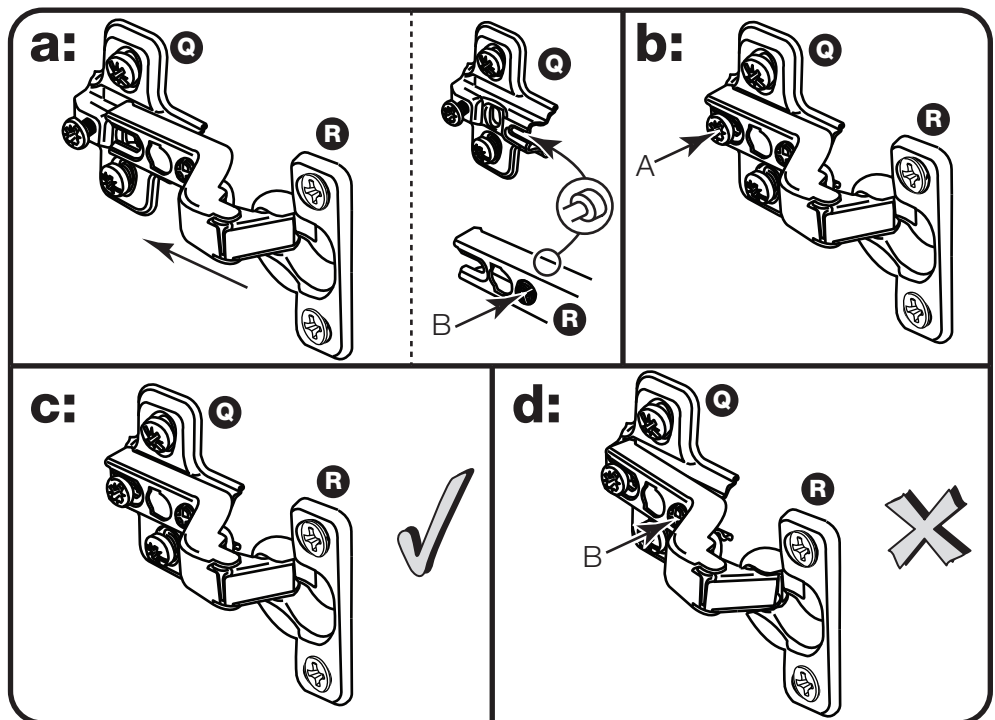
a: Push the hinge **R** onto the front part of the hinge plate **Q**.

b: Keep the hinge **R** FLAT against the hinge plate **Q** as you slide it across as far as it will go. Tighten screw A.

c: The hinge **R** must be flat against the hinge plate **Q** prior to any adjustment.

d: The hinge **R** must NOT be AT AN ANGLE to the hinge plate **Q** when assembled. This would indicate that the recess at the bottom of screw B had not located in the slot in the hinge plate and the hinge would not be secure. Remove the hinge from the hinge plate and then re-assemble being careful to follow instructions a-c.

e: Attach a handle **I** to each door **12** and **13** using 2 screws **H**.



Assembly Instructions

Step 28

Adjust the doors if needed

a: Before adjusting the doors, use a spirit level to check the base (or top) of the unit is level, front-to-back and side-to-side in the 3 positions shown. Use suitable packing pieces (not supplied) to make the unit level BEFORE making any adjustment to the hinges, as shown.

b: Height adjustment.

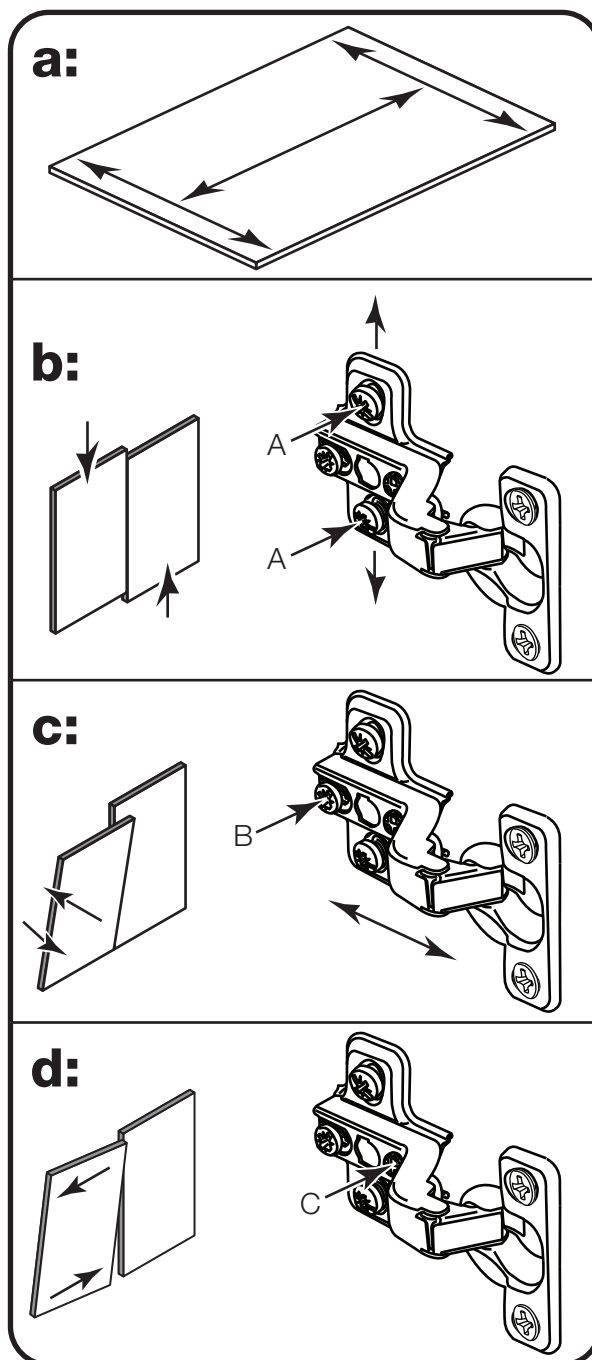
Loosen screws A on hinge plates and move door up or down as required. Retighten screw A.

c: Forward and Back adjustment.

Loosen screw B on hinge plate and move door in or out as required. Retighten screw B.

d: Sideways adjustment.

To move door 'out' loosen screw C. To move door 'in' tighten screw C.



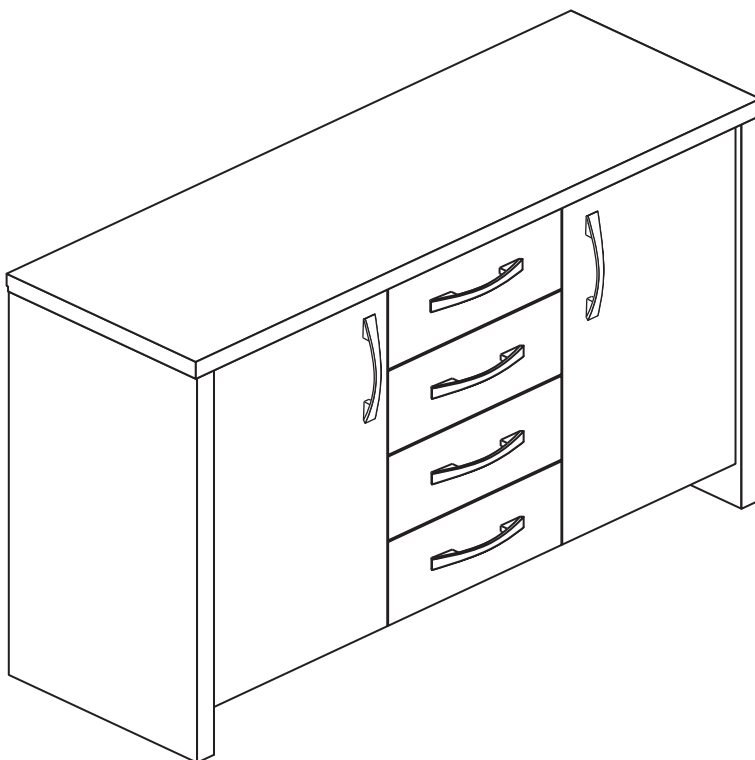
Assembly Instructions

Step 29



Warning: The unit is heavy. Lift with care.

Assembly is complete



If you need help or have damaged or missing parts, call the **Customer Helpline: 08456 400800** and quote the reference numbers on the component pages.

Argos Ltd, 489-499 Avebury Boulevard, Central Milton Keynes, MK9 2NW