

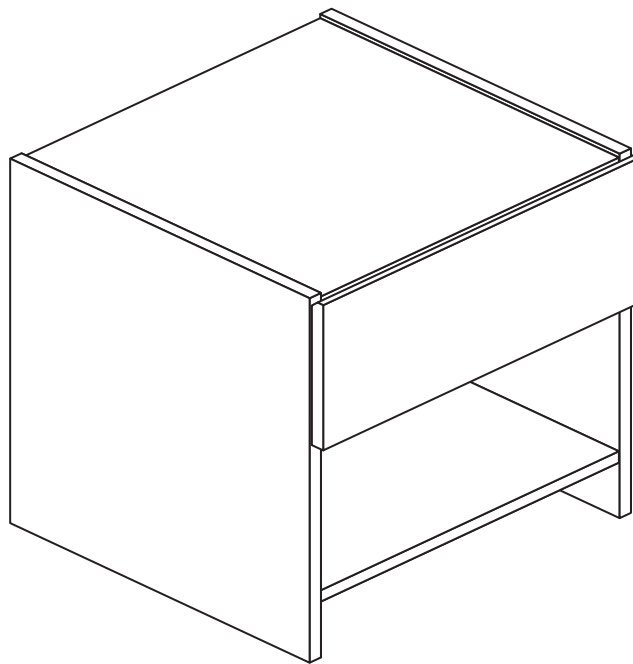
Denver - 1 Drawer Bedside

Assembly Instructions - Please keep for future reference

352/9045

357/9040

339/5846



Dimensions

Width - 41cm

Depth - 40cm

Height - 49cm



**MADE IN
BRITAIN**

Important - Please read these instructions fully before starting assembly

If you need help or have damaged or missing parts, call the **Customer Helpline: 08456 400800**



Safety and Care Advice

Important - Please read these instructions fully before starting assembly

- **Warning:** This unit weighs approximately 10kgs. Please lift with care.

- Check you have all the components and tools listed on pages 2 and 3.

- Remove all fittings from the plastic bags and separate them into their groups.

- Keep children and animals away from the work area, small parts could choke if swallowed.

- Parts of the assembly will be easier with 2 people.

- Make sure you have enough space to layout the parts before starting.

- Do not stand or put weight on the product, this could cause damage.

- Assemble the item as close to its final position (in the same room) as possible.

- Assemble on a soft level surface to avoid damaging the unit or your floor (use opened out unit carton).



- We do not recommend the use of power drill/drivers **for inserting screws**, as this could damage the unit. Only use hand screwdrivers.

- **Safety note:** If there is any chance of this unit being pulled over by children etc. it is recommended that the unit is secured to a wall using suitable fixings (not supplied).

- Dispose of all packaging carefully and responsibly.

Care and maintenance

- Only clean using a damp cloth and mild detergent, do not use bleach or abrasive cleaners.

- From time to time check that there are no loose screws on this unit.

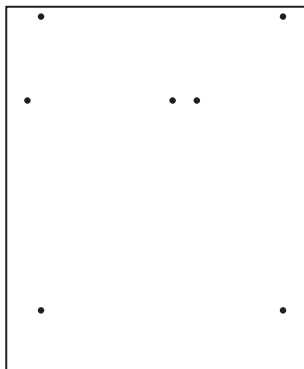
- This product should not be discarded with household waste. Take to your local authority waste disposal centre.

Note: If required the next page can be cut out and used as reference throughout the assembly. Keep this page with these instructions for future reference.

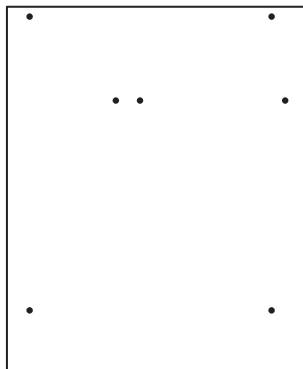
Components - Panels

If you have damaged or missing components, call the **Customer Helpline: 08456 400800** quoting the reference numbers below

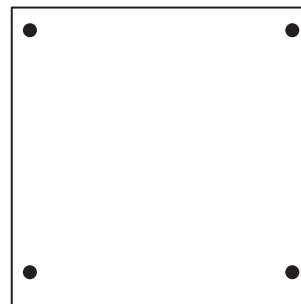
Please check you have all the panels listed below



1 Left Side (DF1875)
(482 x 396mm)



2 Right Side (DF1876)
(482 x 396mm)



3 Top/Base (D1560A)
(395 x 395mm) x 2



4 Drawer Front (DF418)
(419 x 192mm)



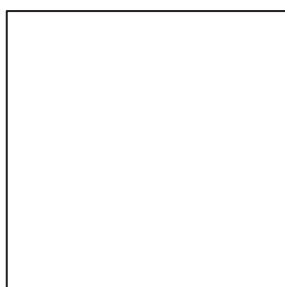
5 Left Drawer Side (W370-124LH)
(370 x 124mm)



6 Right Drawer Side (W370-124RH)
(370 x 124mm)



7 Drawer Back (W362-124)
(362 x 124mm)



8 Drawer Base (T373-367)
(373 x 367mm)



9 Back (X421-399)
(421 x 399mm)


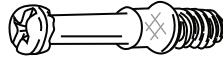


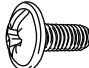

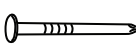





Components - Fittings

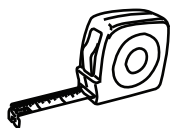
If you have damaged or missing components, call the **Customer Helpline: 08456 400800** quoting the reference numbers below

Please check you have all the fittings listed below

Note: The quantities below are the correct amount to complete the assembly. In some cases more fittings may be supplied than are required.

<p>A </p> <p>Plastic Nail (F91) x 4</p>	<p>B </p> <p>Metal dowel (F901) x 10</p>	<p>C </p> <p>Small locking nut (F3) x 2</p>
<p>D </p> <p>Large locking nut (F900) x 8</p>	<p>E </p> <p>9mm Screw (F74) x 2</p>	<p>F </p> <p>9mm Screw (F73) x 4</p>
<p>G </p> <p>Nail (F51) x 12</p>	<p>H </p> <p>Knock-in Peg (F171GY) x 4</p>	<p>I </p> <p>Wedgefix (F639) x 2</p>
<p>J </p> <p>Drawer runner (F1004) x 2</p>		

Tools required



Rule



Cross-head screwdriver



Scissors

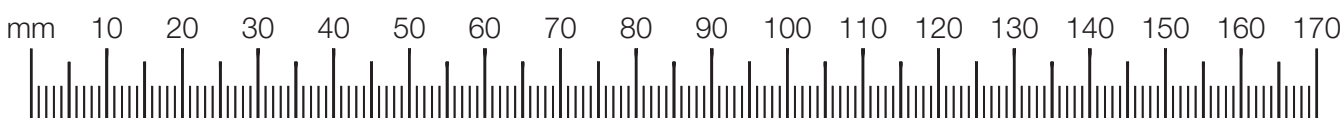


Hammer



Eye protection (when using a hammer or drill)

Ruler - Use this ruler to help correctly identify the screws



Assembly Instructions

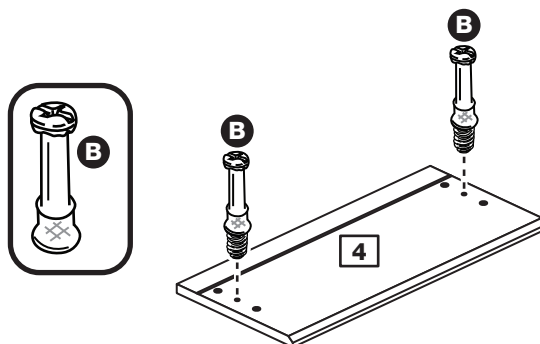
If you have damaged or missing components, call the
Customer Helpline: 08456 400800 quoting the reference
numbers below

Step 1

Prepare the drawer front

Screw 2 metal dowels **B** into the drawer front **4**.

Note: Tighten the metal dowels up fully against the panels.

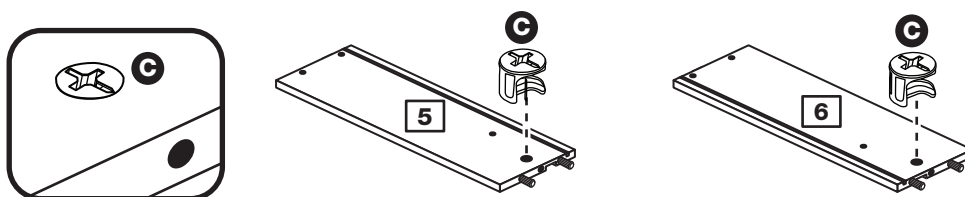


Step 2

Prepare the drawer sides

Insert a small locking nut **C** into the hole shown on the left drawer side **5** and the right drawer side **6**.

Note: The arrow on the locking nut **must** point towards the hole in the edge of the panel.



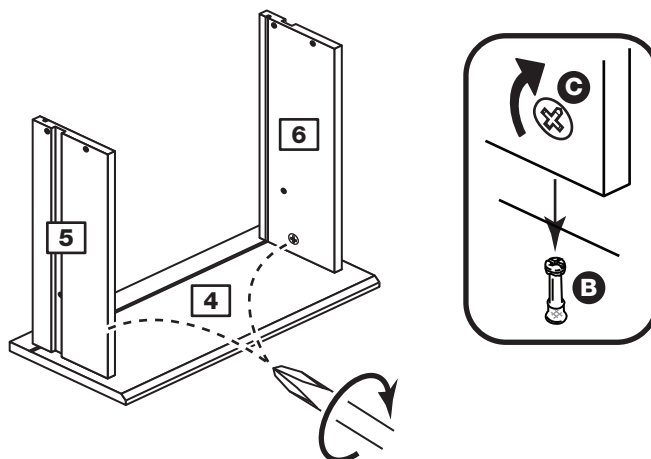
Step 3

Attach the drawer sides to the drawer front

Push the left drawer sides **5** and right drawer sides **6** onto the back of the drawer front **4**.

Turn the small locking nuts **C** on the left drawer side **5** and right drawer side **6**.

Note: Turn the locking nuts **C** clockwise to secure panels - more than 1/2 a turn.

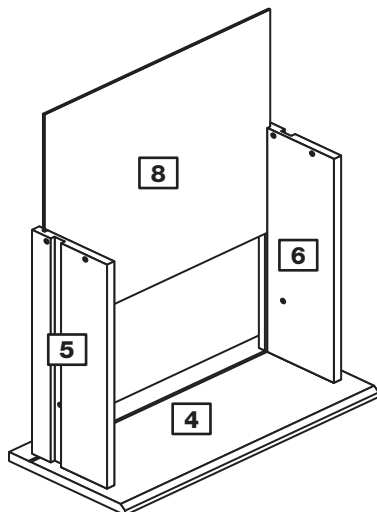


Assembly Instructions

Step 4

Fit the drawer base

Slide the drawer base **8** down the grooves in the drawer sides **5** and **6** and down into the groove in the drawer front **4**.

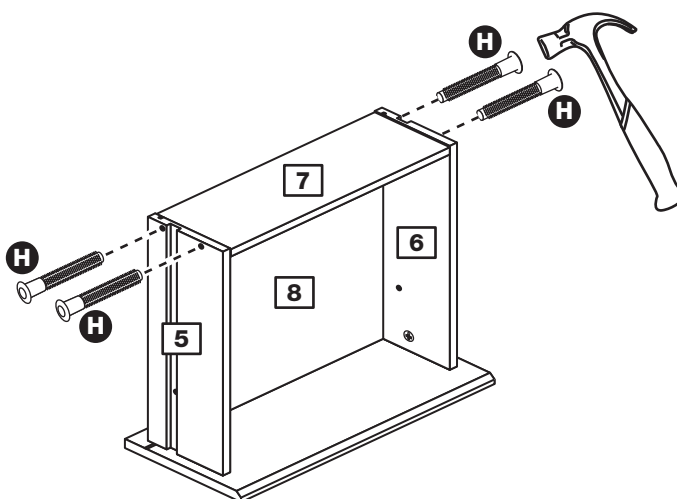


Step 5

Fit the drawer back

Fit the drawer back **7** between the drawer sides **5** and **6**. Make sure that the drawer base **8** fits into the groove in the drawer back **7**.

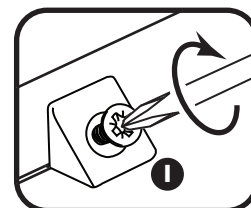
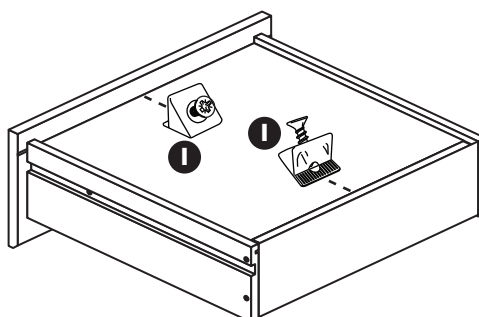
Hold the drawer back **7** in position and tap the knock-in pegs **H** through the holes in the drawer sides **5** and **6**.



Step 6

Fit the wedgifixes

Turn the drawer assembly over and slide 2 wedgifixes **I** into the front and back grooves, as shown, and tighten up the screws.



Assembly Instructions

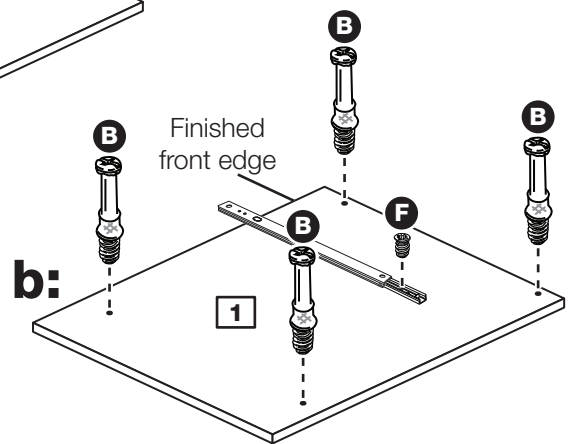
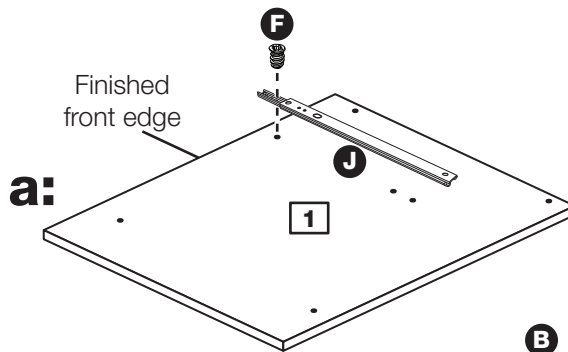
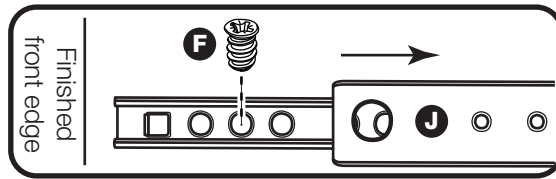
Step 7

Prepare the left side

a: Place a runner **J** on the left side **1** as shown. Slide back the top of runner and use the 2nd hole from the front to fit the 1st screw **F**.

b: Slide the runner **J** back the other way and fit the 2nd screw **F** into the corresponding hole in the left side **1**.

Screw 4 metal dowels **B** into the left side **1**.



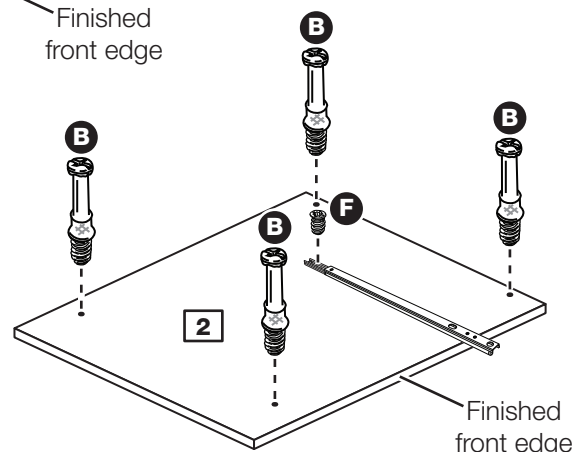
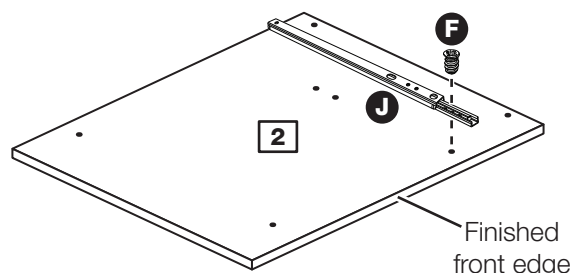
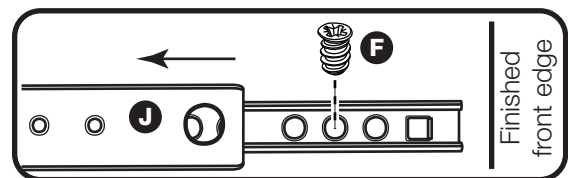
Step 8

Prepare the right side

a: Place a runner **J** on the right side **2** as shown. Slide back the top of runner and use the 2nd hole from the front to fit the 1st screw **F**.

b: Slide the runner **J** back the other way and fit the 2nd screw **F** into the corresponding hole in the right side **2**.

Screw 4 metal dowels **B** into the right side **2**.



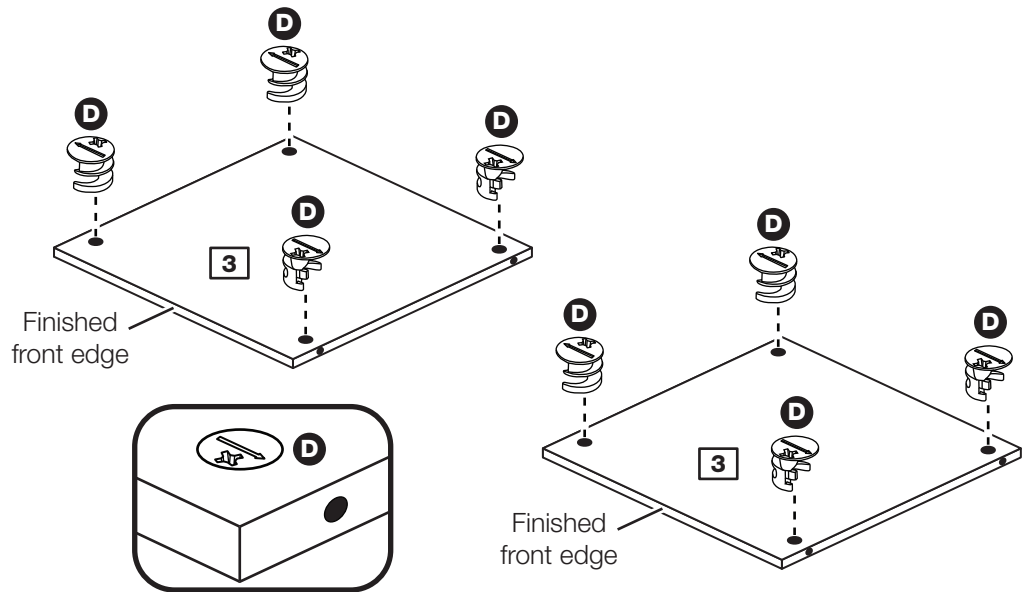
Assembly Instructions

Step 9

Prepare the top and the base

Insert 4 large locking nuts **D** into the top **3** and 4 into the base **3**.

Note: The arrow on the locking nut **must** point towards the hole in the edge of the panel.



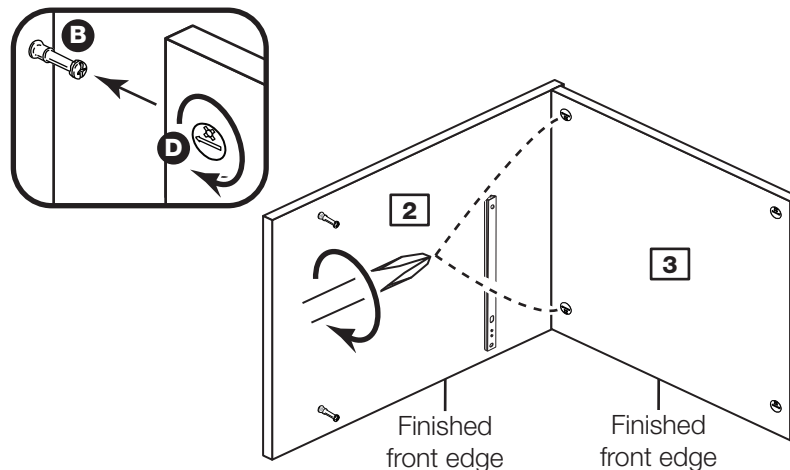
Step 10

Fit the top to the right side

Push the top **3** onto the right side **2**.

Use a screwdriver to tighten the 2 large locking nuts **D** fitted to the top **3**.

Note: Turn the large locking nuts **D** as far as they will go - more than 1/2 a turn.

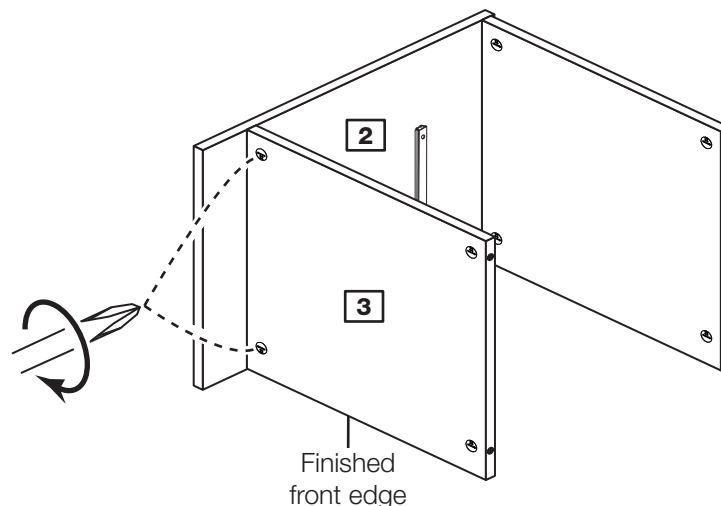


Step 11

Fit the base

Push the base **3** onto the right side **2**.

Use a screwdriver to tighten the 2 large locking nuts **D** fitted to the base **3**.



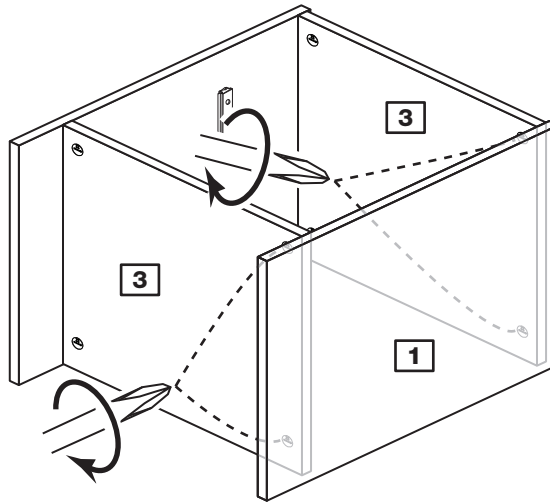
Assembly Instructions

Step 12

Fit the left side

Push the left side **1** onto the assembly.

Use a screwdriver to tighten the 4 large locking nuts **D** fitted to the top **3** and base **3**.



Step 13

Fit the back

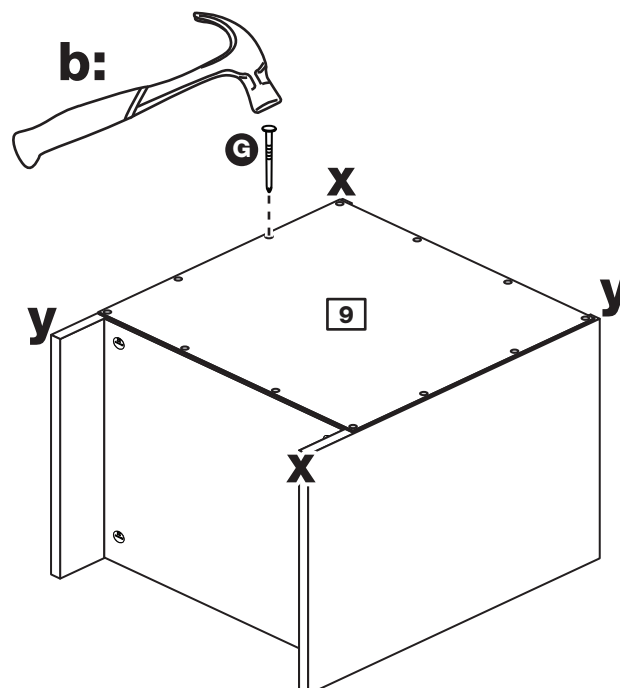
a: Square up the unit by making sure that measurement **x to x** equals **y to y**.

b: Place the back **9** onto the unit.

Nail **G** around the outside edges of the back **9**.

Note: Nails should be evenly spaced out.

a: The measurement from top corner X to bottom corner X must be equal to the measurement from top corner Y to bottom corner Y



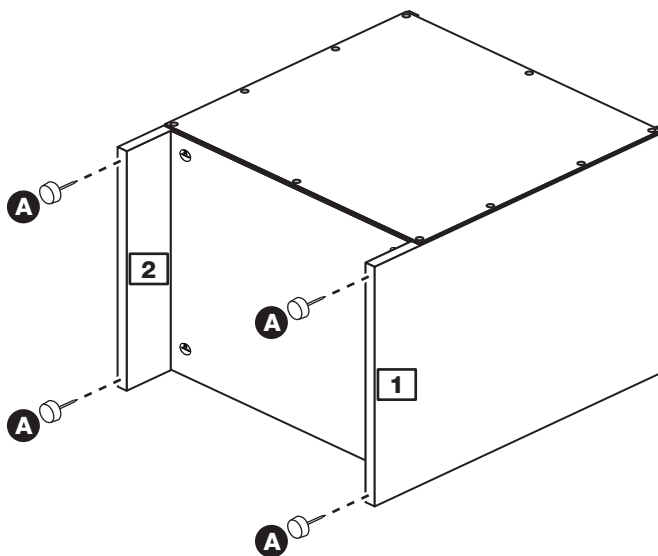
Assembly Instructions

Step 14

Fit the 4 plastic nails

Tap 2 plastic nails **A** into the bottom edge of each of the sides **1** and **2**.

Stand the unit up for the next step.



Step 15

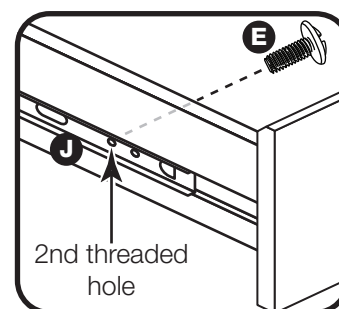
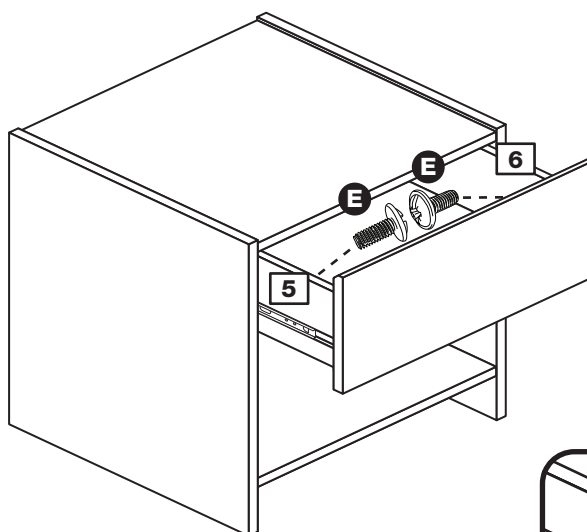
Fit the drawer

Slide both the runners **J** forward and locate the drawer sides **5** and **6** between them, lining up the holes in the drawer wrap with the 2nd 'threaded' holes in the runners **J**.

Working from the inside of the drawer, insert 2 screws **E** through the drawer sides and out into the 2nd threaded hole in the runner.

Note: Do not overtighten the screws **E**.
If they catch on the runner you may need to loosen them slightly.

Assembly is complete



If you need help or have damaged or missing parts, call the Customer Helpline: 08456 400800 and quote the reference numbers on the component pages.

Argos Ltd, 489-499 Avebury Boulevard, Central Milton Keynes, MK9 2NW

