

# Assembly Instructions

## Step 7

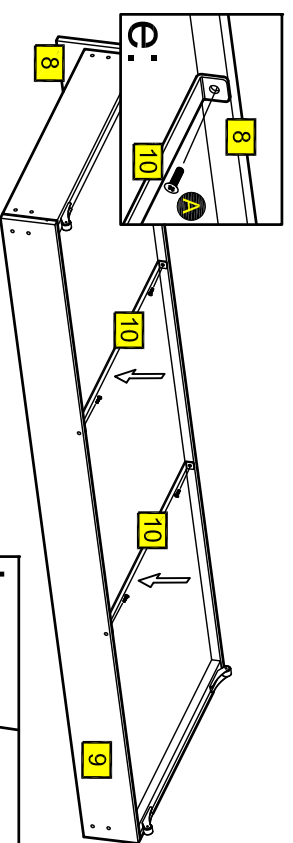
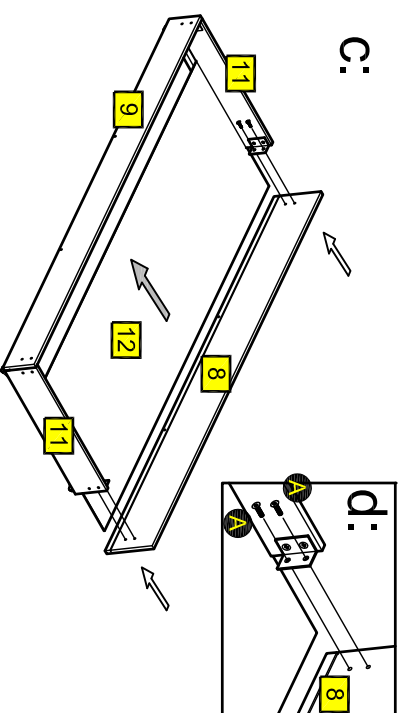
Assembling the storage drawer

Two people are needed here.

**c:** Slide Bottom board **12** into the grooves.

**d:** Attach Front board **8** by the two Side board **11** with the Bolts **A**.

**e:** Fix the Support bars **10** to the Front board **8** and Back board **9** with Bolts **A**.



Now fully tighten all bolts

## Step 8

Attaching slats

For this stage requires two people.

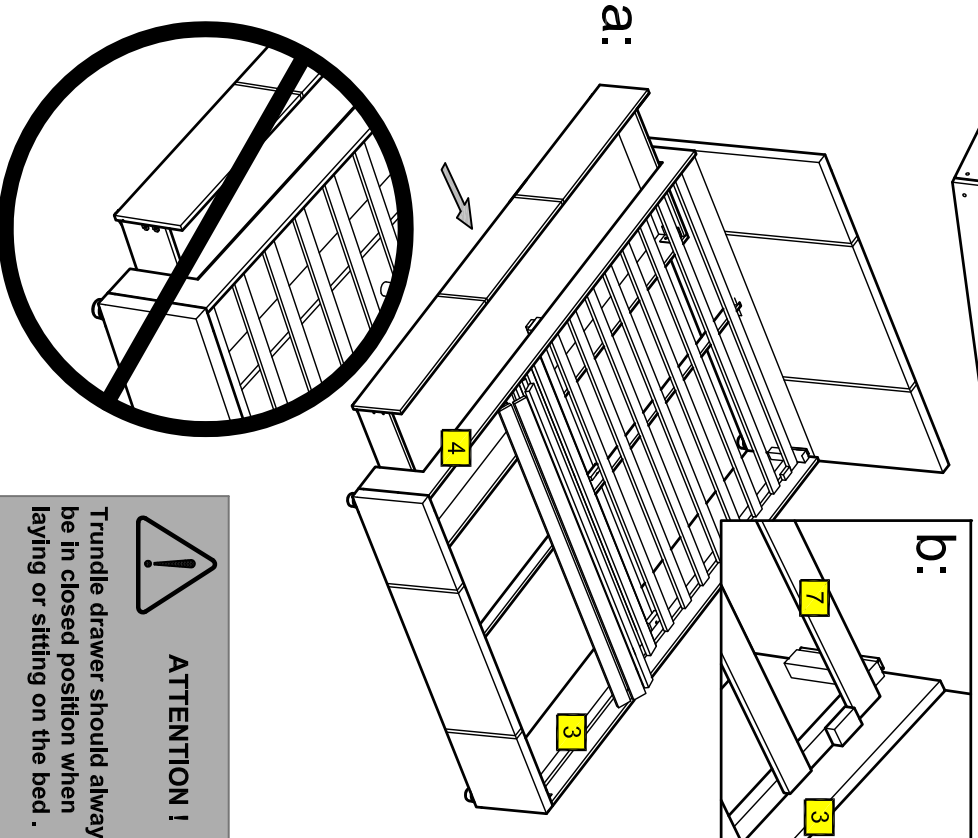
**a:** Insert the storage drawer in its place.

**b:** Roll the slats over the sides **3** and **4**, and connect slats over the wood elements that are attached on both sides of the Side Rails **3** and **4**.

Slats to be rolled out with staples on the underside.

Repeat operation for all 4 corners.

Assembly is now complete.



ATTENTION !

Trundle drawer should always be in closed position when laying or sitting on the bed .

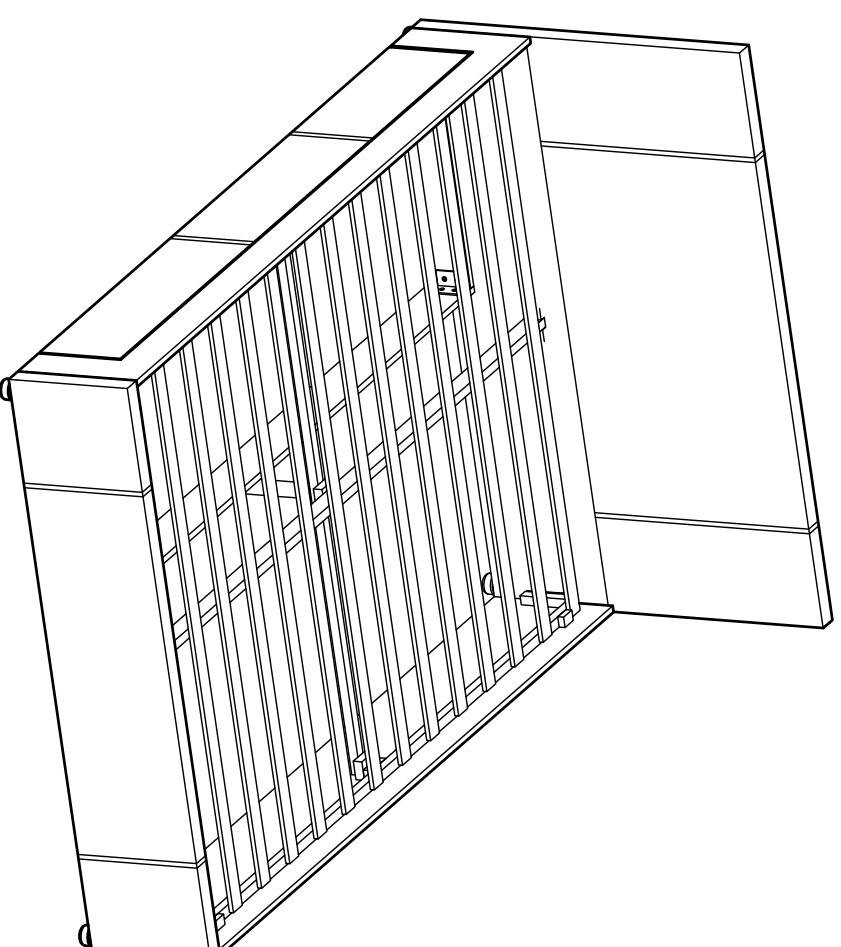
# Heston Drawer 5FT

Assembly Instructions - Please keep for future reference

Cat.no 356 / 6747

Cat.no 346 / 8072

Cat.no 338 / 6288



### Dimension

Width - 155cm

Length - 213cm

Height - 87cm

**Important - Please read these instructions fully before starting assembly**

If you need help or have damaged or missing parts, call the Customer Helpline: Argos = 0345 640 3030

If you need help or have damaged or missing parts, call the Customer Helpline: Argos = 0345 640 3030



# Safety and Care Advice

## Important - Please read these instructions fully before starting assembly

- Check you have all the components and tools listed on pages 2 and 3.
- Remove all fittings from the plastic bags and separate them into their groups.
- Keep children and animals away from the work area, small parts could choke if swallowed.
- Make sure you have enough space to layout the parts before starting.
- Do not stand or put weight on the product, this could cause damage.
- Assemble the item as close to its final position (in the same room) as possible.
- Assemble on a soft level surface to avoid damaging the unit or your floor.



- We do not recommend the use of power drill/drivers for **inserting bolts** as this could damage the unit. Only use hand screwdrivers.
- Dispose of all packaging carefully and responsibly.
- Do not tighten all bolts until bed is fully assembled.

## Care and maintenance

- Only clean using a damp cloth and mild detergent, do not use bleach or abrasive cleaners.
- From time to time check that there are no loose bolts on this unit.
- This product should not be discarded with household waste. Take to your local authority waste disposal centre.

## Handy Hints

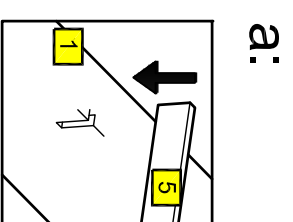
- Assemble all parts and bolts loosely during assembly, only once the product is complete should you fully tighten the bolts.
- Regularly check and ensure that all bolts and fittings are tighten properly.

# Assembly Instructions

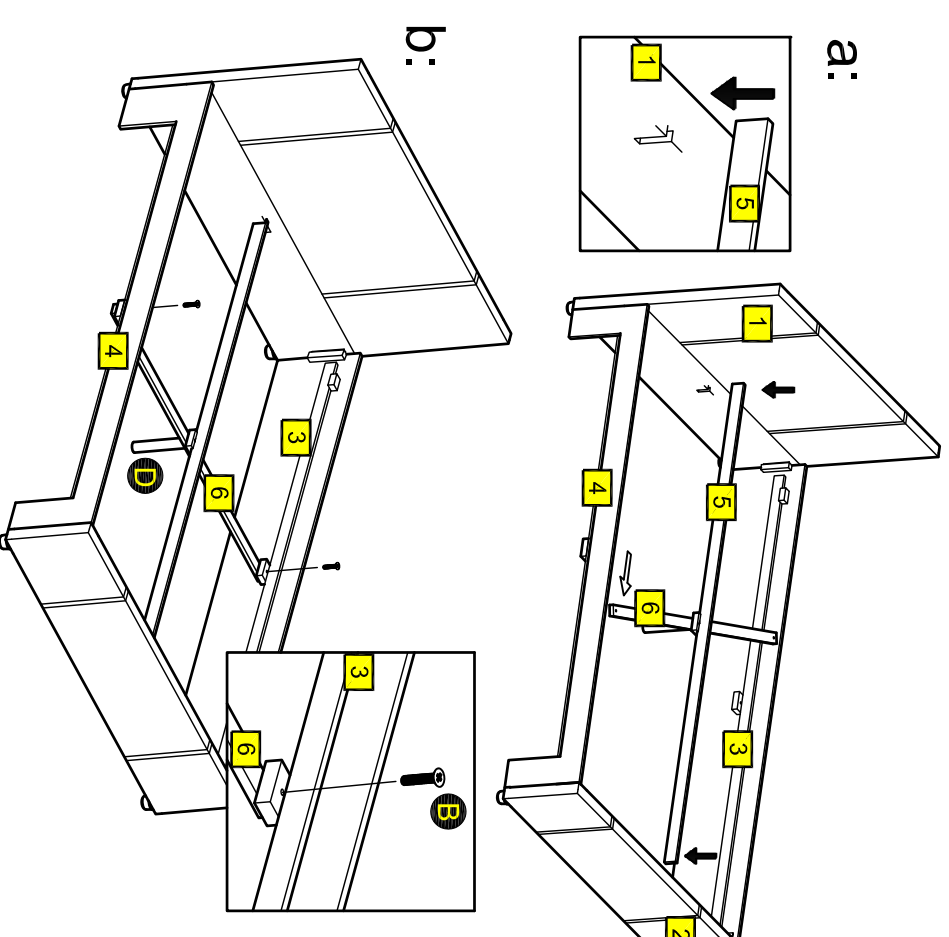
## Step 5

### Attaching support bar

**a:** Enter the assembled format from Central support bar **6**, **5** and Support leg **D**. Rotate and match the Central support bar **6** under central wood element from the Side Rail **3** and **4**.



**b:** Insert Bolt **B** through central hole on the Side rail **3** and through end holes and secure tightly in a clockwise direction.



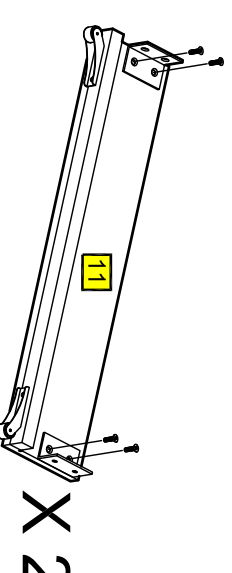
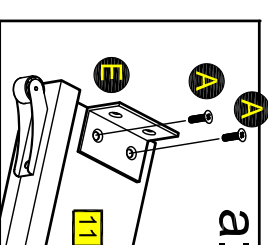
Make the same for the other Side rail **4**.

Now secure tightly in a clockwise direction the Support leg **D**.

## Step 6

### Assembling the storage drawer

**a:** Fix the corner brackets **E** to the Side board **11** of the storage drawer with Bolts **A**. Make the same operation with the other side board of the storage drawer **11**.

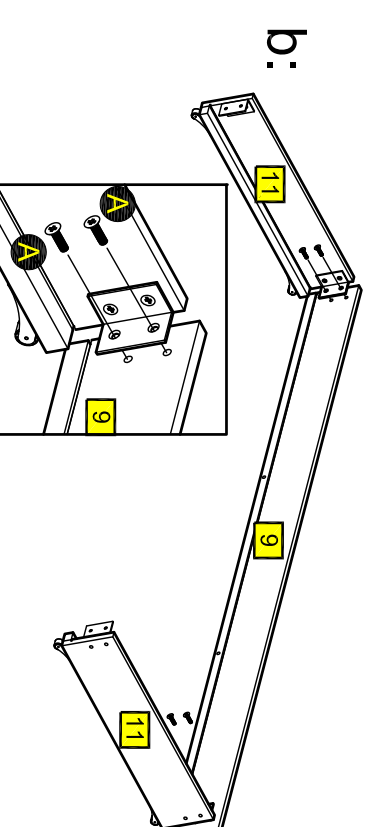


X 2

**b:** Fix the Back board **9** to the Side board **11** using Bolts **A**.

Repeat the operation above with the other Side board **11**.

**Note: Do not fully tighten bolts.**




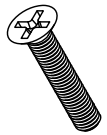
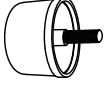

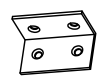
**Note:** if required the next page can be cut out and used as reference throughout the assembly. Keep this page with these instructions for future reference.

If you need help or have damaged or missing parts, call the **Customer Helpline: Argos = 0345 640 3030**

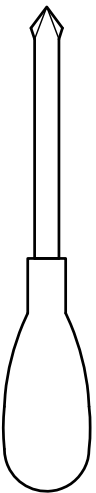
# Components - Fittings

**Please check you have all the fittings listed below**

**Note:** the quantities below are the correct amount to complete the assembly. In some cases more fittings may be supplied than are required.

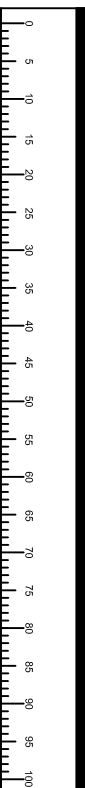
<b>A</b>	M6x20 mm Bolt x 20		<b>B</b>	M6x45mm Bolt x 2		<b>C</b>	Leg x 4	
<b>D</b>	Support Leg x 1		<b>E</b>	Angle corner x 4				

## Tools required



Screwdriver (Not supplied)

**Ruler - Use this ruler to help correctly identify the bolts**

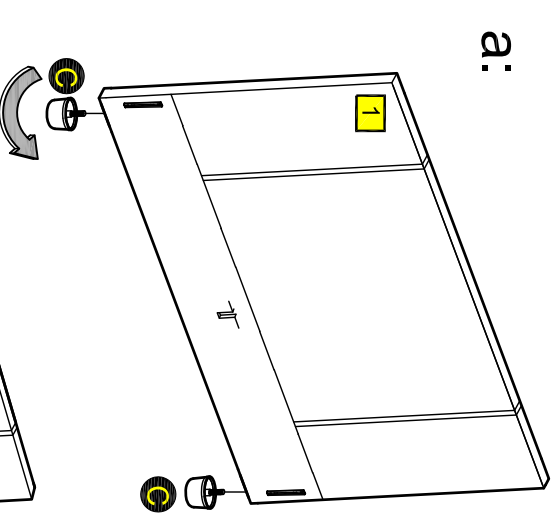


# Assembly Instructions

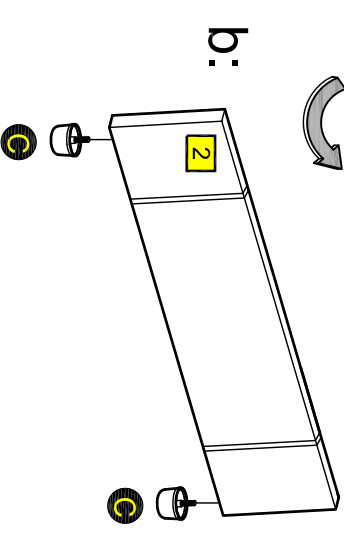
## Step 1

### Attaching legs

**a:** Insert Legs **C** into Headboard **1** and secure tightly in a clockwise direction.



**b:** Insert Legs **C** into Footboard **2** and secure tightly in a clockwise direction.



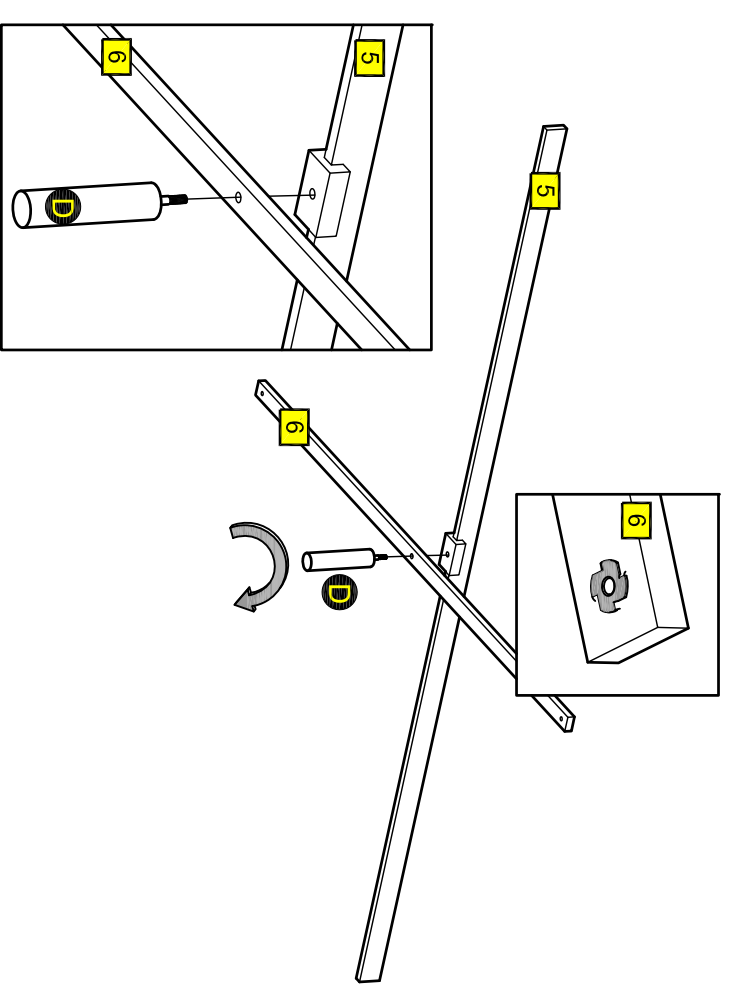
## Step 2

### Attaching support leg

Insert Support leg **D** in middle of Central support bar **6** and **5**, and rotate in a clockwise direction.

Central Support bar **6** attaches with metal nut down.

It's important that the Support leg **D** do not be tight.



If you need help or have damaged or missing parts, call the **Customer Helpline: Argos = 0345 640 3030**

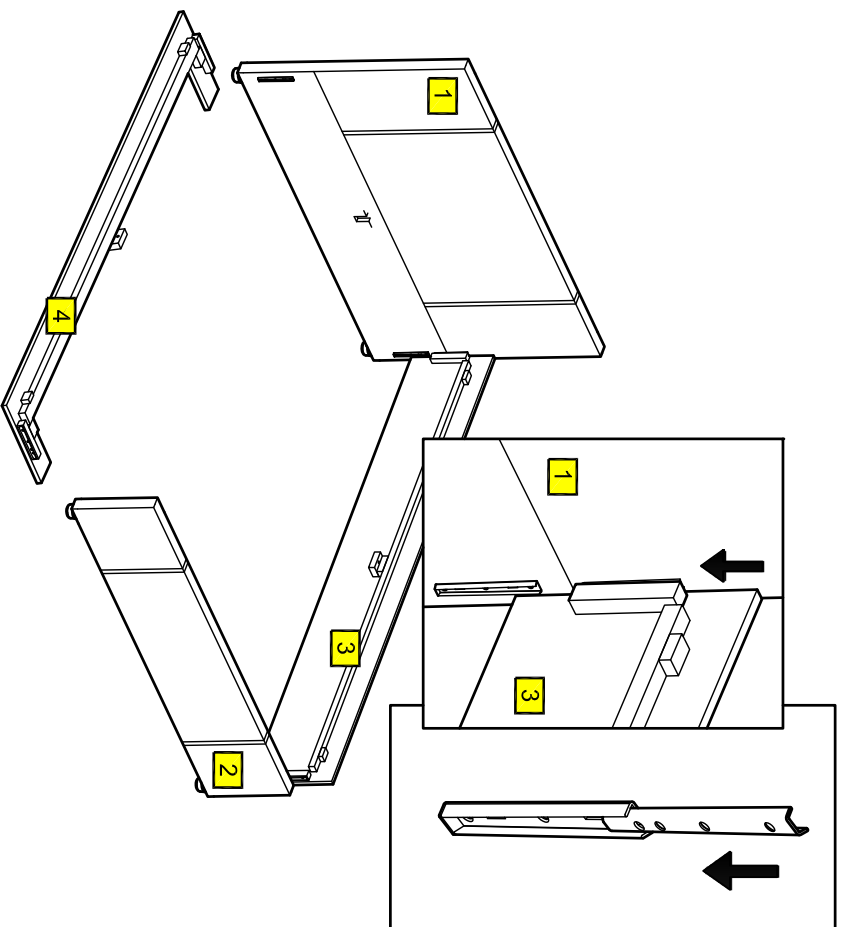
## Step 3

### Attaching side rails

Two people are needed here.

Connect Side rail **3** with Headboard **1** and Footboard **2** as seen in the image.

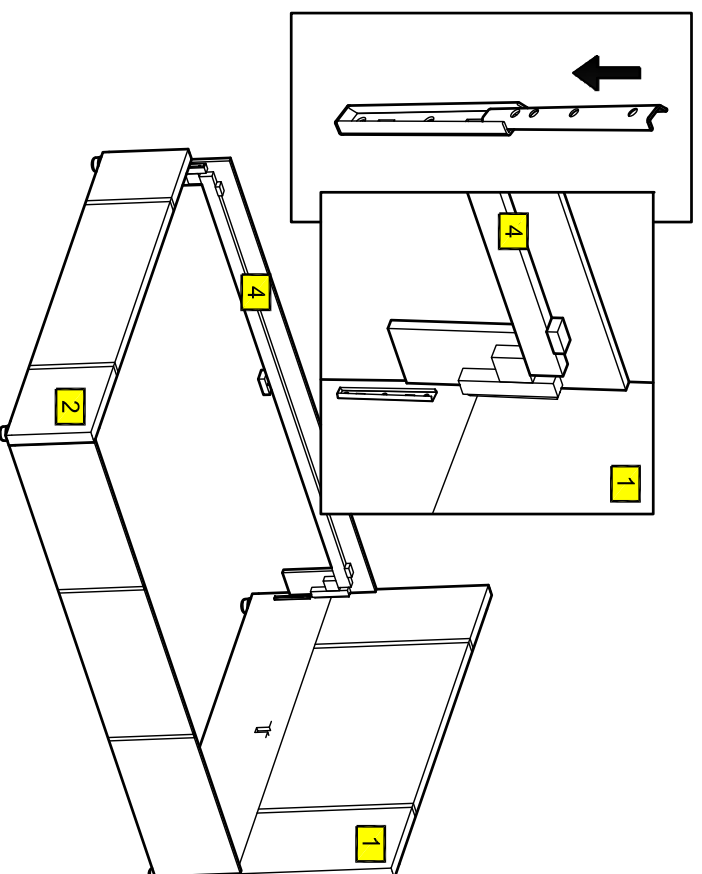
**Note:** Take care when sliding side rails into headboard so as not to scratch material.



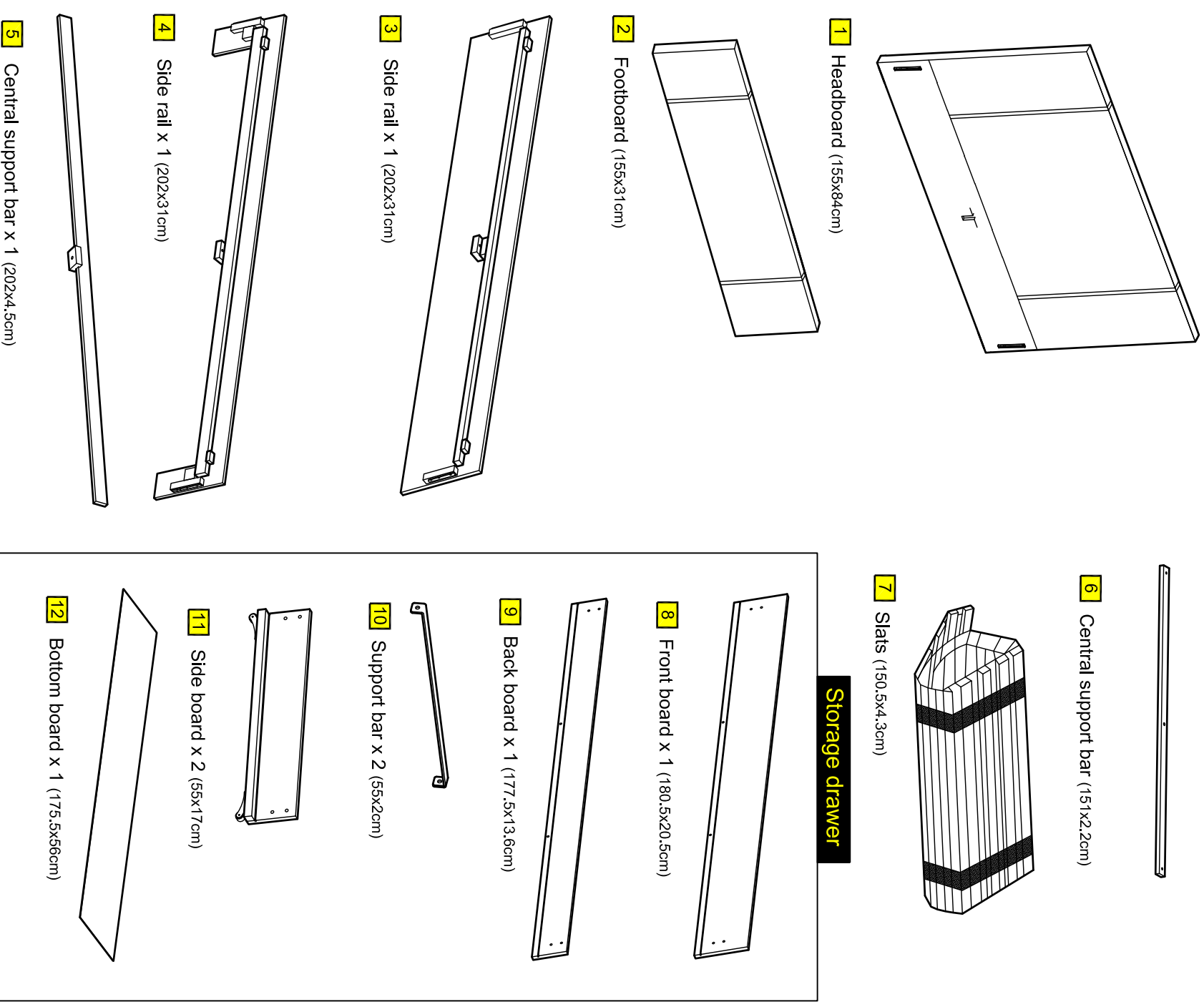
## Step 4

### Attaching side rails

Connect Side rail **4** with Headboard **1** and Footboard **2** as seen in the image.



## Please check you have all the parts listed below



If you need help or have damaged or missing parts, call the **Customer Helpline: Argos = 0345 640 3030**