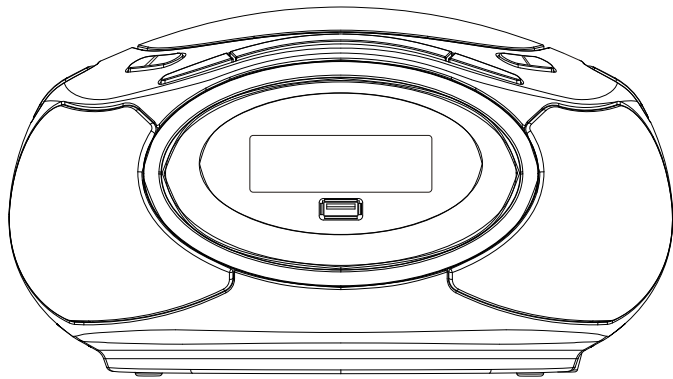


BUSH DAB RADIO BOOMBOX

Installation & User Instructions - Please keep for future reference

DB-1000USB

BUSH
Real Life Technology



Important - Please read these instructions fully before installing or using

These instructions contain important information which will help you get the best from your appliance and ensure safe and correct installation, use and maintenance.

Index

Safety Precautions	4
Product Overview	6
Power Supply	7
Mains power.....	7
Battery power.....	7
Handling the batteries.....	7
General Operation	8
Using earphones.....	8
DAB Radio Operation	9
Auto scan.....	9
Manual tuning.....	9
Storing stations.....	9
Recalling a stored station.....	9
Prune.....	9
DAB stations sort.....	10
System.....	10
Display DAB station information.....	10
PLL FM Radio Operation	11
Auto scan.....	11
Manual tuning.....	11
Storing stations.....	11
Recalling a stored station.....	11
System.....	11
Display FM station information.....	12
CD/MP3/USB Operation	13
CD/MP3 playback.....	13
USB connection.....	14
Select play modes.....	15
Program play sequence.....	15
Maintenance	16
Troubleshooting	17
Specifications	18
Product Guarantee	19

Safety Precautions

- Read all instructions carefully before using the unit and keep them for further reference.
- Retain the manual. If you pass the unit onto a third party make sure to include this manual.
- Check that the voltage marked on the rating label matches your mains voltage.

Damage

- Please inspect the unit for damage after unpacking.
- Do not continued to operate the unit if you are in any doubt about it working normally, or if it is damaged in any way - switch off, withdraw the mains plug and consult your dealer.

Location of Unit

- The unit must be placed on the flat stable surface and should not be subjected to vibrations.
- Do not place the unit on sloped or unstable surfaces as the unit may fall off or tip over.
- The mains socket must be located near the unit and should be easily accessible.

Temperature

- Avoid extreme degrees of temperature, either hot or cold. Place the unit well away from heat sources such as radiators or gas/electric fires.
- Avoid exposure to direct sunlight and other sources of heat.

Naked Flames

- Never place any type of candle or naked flame on the top of or near the unit.

Moisture

- To reduce the risk of fire, electric shock or product damage, do not expose this unit to rain, moisture, dripping or splashing. No objects filled with liquids, such as vases, should be placed on the unit.
- If you spill any liquid into the unit, it can cause serious damage. Switch it off at the mains immediately. Withdraw the mains plug and consult your dealer.

Ventilation

- To prevent the risk of electric shock or fire hazard due to overheating, ensure that curtains and other materials do not obstruct the ventilation vents.
- Do not install or place this unit in a bookcase, built-in cabinet or in another confined space. Ensure the unit is well ventilated.

Safety

- Always disconnect the unit from the mains supply before connecting/disconnecting other devices or moving the unit.
- Unplug the unit from the mains socket during a lightning storm.

Mains Cable

- Make sure the unit or unit stand is not resting on top of the mains cable, as the weight of the unit may damage the mains cable and create a safety hazard.
- If the mains cable is damaged it must be replaced by the manufacturer, its service agent, or similarly qualified persons in order to avoid a hazard.

Interference

- Do not place the unit on or near appliances which may cause electromagnetic interference. If you do it, it may adversely affect the operating performance of the unit, and cause a distorted picture or sound.

Safety Precautions

Batteries

- Batteries used in the unit are easily swallowed by young children and this is dangerous.
- Keep loose batteries away from young children and make sure that the battery holder tray is secure in the unit. Seek medical advice if you believe a cell has been swallowed.
- Please dispose of batteries correctly by following the guidance in this manual.

Earphones

- Listening to loud sounds for prolonged periods of time may permanently damage your hearing.
- Before putting on earphones, turn the volume down then put the earphones on and slowly increase the volume until you reach a comfortable listening level.

Supervision

- Children should supervised to ensure that they do not play with the unit and the remote control.
- Never let anymore especially children push anything into the holes, slots or any other openings in the case - this could result in a fatal electric shock.

Service

- To reduce the risk of electric shock, do not remove screws, The unit does not contain any user-serviceable parts. Please leave all maintenance work to qualified personnel.

Maintenance

- Ensure to unplug the unit from the mains socket before cleaning.
- Do not use any type of abrasive pad or abrasive cleaning solutions as these may damage the unit's surface.
- Do not use liquids to clean the unit.

Class 1 Laser Product

- This unit utilises a laser. Use of controls, adjustments or performance of procedures other than those specified herein may result in hazardous radiation exposure.
- Before removing the unit, ensure the disc tray is empty.
- Always remove the disc when the unit is not in use.
- Failure to do so will risk severely damaging the disc and the unit.
- Do not stack devices, heat from other devices may affect the performance of the unit.



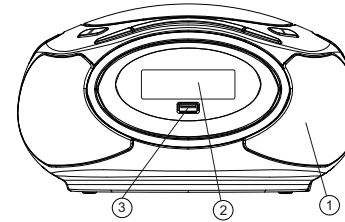
The lightning flash with arrowhead symbol, within an equilateral triangle, is intended to alert the user to the presence of uninsulated "dangerous voltage" within the unit's enclosure that may be of sufficient magnitude to constitute a risk of electric shock.



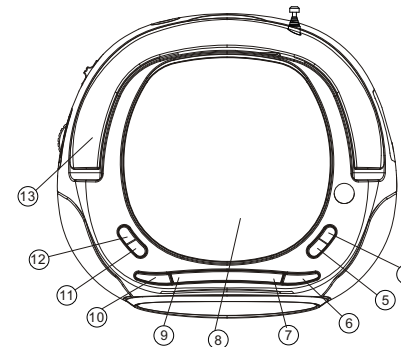
The exclamation point within an equilateral triangle is intended to alert the user to the presence of important operating and maintenance (servicing) instructions in the manual accompanying the unit.

Product Overview

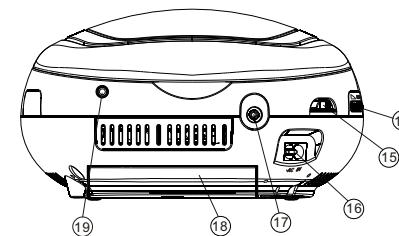
Front View



Top View



Rear View



- Speakers**
- LCD Display**
- USB Jack**
- PROG. / INFO / RESTART Button**
CD/MP3/USB: program;
DAB/FM: INFO or menu.
- REPEAT / DAB / FM Button**
CD/MP3/USB: repeat, random;
Radio: switch to DAB or FM.
- SKIP+ ►► Button**
CD: search the next track;
Radio: search the next radio station.
- PLAY/PAUSE ►|| (CD/USB) / ENTER / FM MONO / FM ST. Button**
Radio: enter or select FM Mono/FM ST.;
CD: start/pause playback or switch to CD/USB.
- CD Door**
- STOP ■ / AUTO SCAN Button**
CD: stops CD playback or delete a program;
Radio: auto scan memory stations.
- SKIP- ◀◀ Button**
CD: search the previous track;
Radio: search the previous band station.
- FOLDER DN. / PRESET Button**
MP3/USB: select the previous folder;
Radio: preset memory station.
- FOLDER UP Button**
MP3/USB: select the next folder.
- Handle**
- VOLUME Control**
- FUNCTION Selector (CD/MP3/USB, Radio, OFF)**
- AC IN Jack**
connect AC power cord to the mains socket.
- Earphones Jack**
- Battery Compartment Door**
- Telescopic Antenna**

Power Supply

Mains Power

Check that the voltage marked on the rating label matches your mains voltage. Connect the mains cable to the back of the unit then plug into a mains socket.

Battery Power

Alternatively, insert 8 x UM-2 size batteries (not included) correctly by following the polarity (+ and -) indications in the battery compartment.

Handling the batteries

- Improper or incorrect use of batteries may cause corrosion or battery leakage, which could cause fire, personal injury or damage to property.
- When the batteries are exhausted, the appliance will not function. Replace both batteries at the same time with new ones.
- Use only the types of batteries indicated in this manual.
- Do not install new batteries with used ones and do not mix different types of batteries.
- Do not dispose of used batteries as domestic waste. Dispose of them in accordance with local regulations.
- Remove batteries from the unit if you do not plan to use it for a long period of time, otherwise the batteries may leak.

Plug replacement (for UK & Ireland only)

Should you need to replace the plug; the wires in the power cable are color in the following way:

Blue - Neutral 'N'

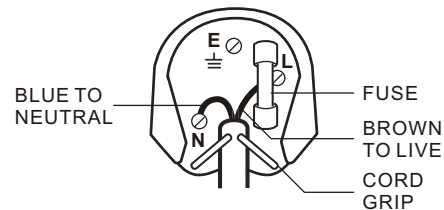
Brown - Live 'L'

As the color of the wires in the power cable may not correspond with the color markings identifying the terminals in your plug, and proceed as follows:

The blue wire must be connected to the terminal that is marked with the letter N.

The brown wire must be connected to the terminal that is marked with the letter L.

If power supply cord is damaged, it must be replaced by the manufacturer or its service agent or a similar qualified person in order to avoid a hazard.



General Operation

1. To switch on and set the **FUNCTION** selector to **CD/MP3/USB** or **RADIO**.
2. Adjust the sound with the **VOLUME** control.
3. To switch off the unit, adjust the **FUNCTION** selector to **OFF**.

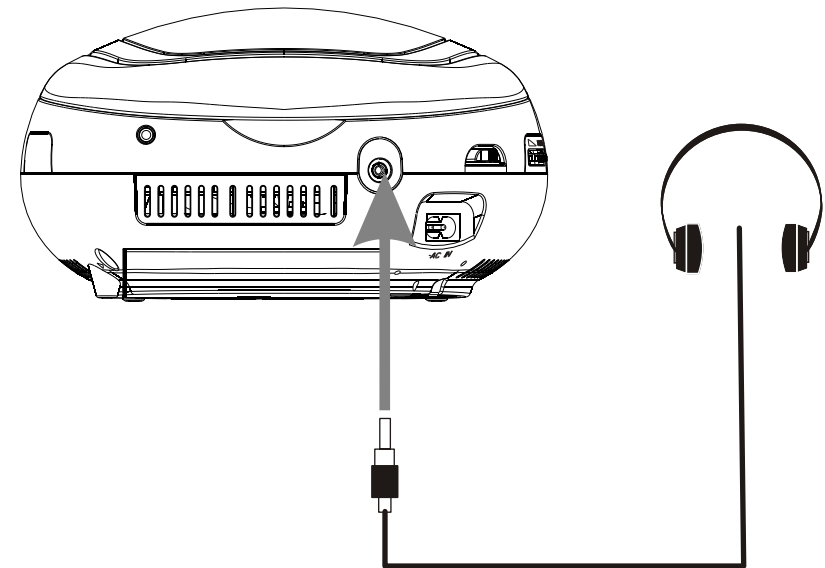
*Note: To avoid unnecessary energy consumption, always adjust the **FUNCTION** selector to **OFF**.*

Using Earphones

Turn down the volume before connecting the earphones. Slowly raise the volume with the earphones on until you reach your desired volume. When earphones are connected, the speaker is automatically disabled.



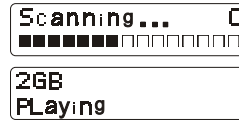
Note: Long-term exposure to loud music may cause hearing damage. It is best to avoid extreme volume when using earphones, especially for extended periods.



DAB Radio Operation

1. Adjust the **FUNCTION** selector to **RADIO**.
2. Press the **REPEAT / DAB / FM** button to **DAB**.

- The systems performs auto scan of DAB stations. When auto scan is completed, the unit will play the DAB stations automatically. "No DAB station" will be shown on the display when no stations are found. If auto scan has been performed before, the unit will play the last heard DAB station automatically.

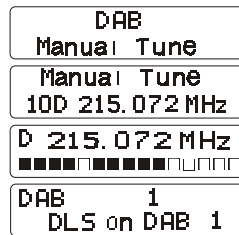


Auto Scan

1. Press the **STOP / AUTO SCAN** button to search and store DAB stations automatically.
2. Press the **SKIP+/SKIP-** buttons to select the stored stations after the completed scan.

Manual Tuning

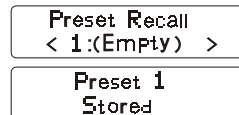
1. Hold the **PROG. / INFO / RESTART** button then press the **SKIP+/SKIP-** buttons, and press the **PLAY/PAUSE (CD/USB) / ENTER / FM MONO / FM ST.** button to enter the manual tune mode.
2. Press **SKIP+/SKIP-** buttons to choose your desired frequency, then press the **PLAY/PAUSE (CD/USB) / ENTER / FM MONO / FM ST.** button to show current frequency / channel and signal strength.
3. Press the **SKIP+/SKIP-** buttons to confirm the frequency selection.
4. Press the **SKIP+/SKIP-** buttons to choose other stations you would like to listen to.



Storing Stations

You can store up to 20 of your favourite DAB stations in the memory. This will enable you to access your favourite stations quickly and easily.

1. Press the **FOLDER DN. / PRESET** button to activate the storing mode
 - "Preset Recall <1-20: (Empty)>" will show on the display.
2. Press the **SKIP+/SKIP-** buttons to select your desired preset station number.
3. Hold the **FOLDER DN. / PRESET** button to store the selected station.
 - "Preset 1-20 Stored" will show on the display.
4. Repeat from step 1 to step 3 to store other stations.



Recalling a Stored Station

Once you have saved a station to one of preset buttons, you can recall it by below steps.

1. Press the **FOLDER DN. / PRESET** button to enter the selection mode.
2. Press the **SKIP+/SKIP-** buttons to select your desired station, then press the **FOLDER DN. / PRESET** button to listen the station.

Prune

To remove stations that are listed but have no service in your area from the service list.

1. Hold the **PROG. / INFO / RESTART** button then press the **SKIP+/SKIP-** buttons to choose "Prune".
2. Press the **PLAY/PAUSE (CD/USB) / ENTER / FM MONO / FM ST.** button to confirm.
3. Press the **SKIP+/SKIP-** buttons to choose "YES".
4. Press the **PLAY/PAUSE (CD/USB) / ENTER / FM MONO / FM ST.** button to prune all invalid stations.

This removes all invalid stations indicated in the station list.

DAB Radio Operation

DAB Stations Sort

1. Hold the **PROG. / INFO / RESTART** button then press the **SKIP+/SKIP-** buttons to choose "Station order".
2. Press the **PLAY/PAUSE (CD/USB) / ENTER / FM MONO / FM ST.** button to view the sorting method.
3. Press the **SKIP+/SKIP-** buttons to select the sorting method. Then press the **PLAY/PAUSE (CD/USB) / ENTER / FM MONO / FM ST.** button to confirm the sorting method.

The systems provide two sorting methods, Alphanumeric sort (default setting) and Ensemble sort.

System

1. Hold the **PROG. / INFO / RESTART** button then press the **SKIP+/SKIP-** buttons to choose "System".
2. Press the **PLAY/PAUSE (CD/USB) / ENTER / FM MONO / FM ST.** button to access the system.
3. Press the **SKIP+/SKIP-** buttons to scroll the system options:
 - Language: select your desired language: English, Français (French), Deutsch (German) or Italiano (Italian)
 - Factory reset: reset all the settings of the unit to factory default.
 - SW version: software version of the unit is shown.
4. Press the **PLAY/PAUSE (CD/USB) / ENTER / FM MONO / FM ST.** button to select an option.
5. Repeat from step 3 to step 4 if sub-option is available under one option.

Display DAB station information

Press the **PROG. / INFO / RESTART** button repeatedly to scroll through the following information (if available):

- > Signal strength
- > Program type (PTY)
- > Ensemble name
- > Channel and frequency
- > Signal error rate
- > Bit rate and audio status
- > Time
- > Date
- > Dynamic label segment (DLS)

PLL FM Radio Operation

1. Adjust the **FUNCTION** selector to **RADIO**.
2. Press the **REPEAT / DAB / FM** button switch to **FM**.
3. Once the scan has finished, the unit will select the last station automatically.

Note: If auto scan has performed before, the unit will play the last station after turning on.

Auto Scan

1. Press the **STOP / AUTO SCAN** button, the systems will search and store FM stations automatically.
2. Press the **FOLDER DN. / PRESET** button after the completed scan. Then press the **SKIP+/SKIP-** buttons to browse the stored stations. Press the **FOLDER DN. / PRESET** button to listen the chosen station.



98.15 MHz FM
Scanning...

Manual Tuning

1. To search for FM stations manually, press the **SKIP+/SKIP-** buttons to select your desired frequency. Press and hold the **SKIP+/SKIP-** buttons for 2 seconds to searching the station. Once a station has been found, the scanning will stop automatically.
2. Press the **PLAY/PAUSE (CD/USB) / ENTER / FM MONO / FM ST.** button to toggle between the Mono or Stereo selection.



98.10 MHz FM
Mono



98.10 MHz FM
Stereo

Storing Stations

You can store up to 20 of your favourite FM stations in the memory. This will enable you to access your favourite stations quickly and easily.

1. Press the **FOLDER DN./PRESET** button to activate the storing mode.
 - "Preset Recall <1-20: (Empty)>" will show on the display.
2. Press the **SKIP+/SKIP-** buttons to select your desired preset station number.
3. Hold the **FOLDER DN. / PRESET** button to store the selected station.
 - "Preset 1-20 Stored" will show on the display.
4. Repeat from step 1 to step 3 to store other stations.

Recalling a Stored Station

Once you have saved a station to one of preset buttons, you can recall it by below steps.

1. Press the **FOLDER DN. / PRESET** button to enter the selection mode.
2. Press the **SKIP+/SKIP-** buttons to select your desired station, then press the **FOLDER DN. / PRESET** button to listen the station.

System

1. Hold the **PROG. / INFO / RESTART** button then press the **SKIP+/SKIP-** buttons to choose "System".
2. Press the **PLAY/PAUSE (CD/USB) / ENTER / FM MONO / FM ST.** button to access the system.
3. Press the **SKIP+/SKIP-** buttons to scroll the system options:
 - Language: select your desired language: English, Français (French), Deutsch (German) or Italiano (Italian)
 - Factory reset: reset all the settings of the unit to factory default.
 - SW version: software version of the unit is shown.
4. Press the **PLAY/PAUSE (CD/USB) / ENTER / FM MONO / FM ST.** button to select an option.
5. Repeat from step 3 to step 4 if sub-option is available under one option.

PLL FM Radio Operation

Display FM station information

Press the **PROG. / INFO / RESTART** button repeatedly to scroll through the following information (if available):

- > Radio text (RT)
- > Time
- > Date
- > Program type (PTY)
- > Station Name
- > Audio Mode

CD/MP3/USB Operation

You can play commercially available Audio CDs including CD-R, CD-RW and MP3 format files.

Note:

• Even if this portable radio-CD player is able to read CD-R and CD-RW discs, in addition to conventional compact discs, it is not possible to offer a 100% guarantee that all CD-R/RW discs can be read; playback depends on the quality and condition of the blank discs that you use, among other things. A playback failure does not necessarily indicate that the unit is malfunctioning.

• You cannot play CDs encoded with copyright protection technologies.

CD/MP3 Playback

1. Adjust the **FUNCTION** selector to **CD/MP3/USB**.

2. Open the CD door by pressing the right bottom corner and place a CD with the label side facing up.

3. Close the CD door and press the right bottom corner till you hear a click.

- If CD door is not closed, the display will show "OPEN".
- If disc is loading, the display will show "CD--READING".
- If no disc, the display will show "NO USB".

4. The unit will automatically read the disc and playback, display the following information:

- For CDs, the display will show the total number of tracks.
- For MP3 discs, the display will 1st show the total number of folders and tracks.
- During MP3 disc playback, folder or files that contain not MP3 format files are skipped.

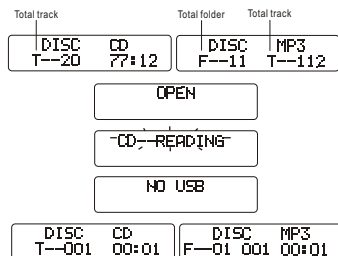
5. You can press the **PLAY/PAUSE (CD/USB) / ENTER / FM MONO / FM ST.** button to start playing track.

- Press again to stop playing track temporarily.
- Press again to resume playback.

6. Press the **SKIP+/SKIP-** buttons to go to the next track or back to the previous track.

- press and hold while playing until you find the place on the track you want.
- For MP3 discs, press the **FOLDER UP** or **FOLDER DN. / PRESET** buttons repeatedly to select a folder, then press the **SKIP+/SKIP-** buttons to select a file you want to play.

7. Press the **STOP / AUTO SCAN** button to stop playback.



CD/MP3/USB Operation

USB Connection

You can listen to audio files stored on a USB device (a digital music player or USB storage media).

- Audio file in MP3 format only can be played on this unit.
- Files with DRM (Digital Rights Management) copyright protection or files downloaded from an online music store cannot be played on this unit. If you try to play one of these files, the unit plays the next unprotected audio files.
- Compatible with USB 1.1 (Full Speed).

1. Connect the USB device to the USB jack located in front of the unit.

2. Adjust the **FUNCTION** selector to **CD/MP3/USB**.

3. The unit will automatically read the device and playback.

- the display will 1st show the total number of folders and tracks after insert USB device into USB jack.
- When the device is loaded, the unit reads all the files on the device. During this time, "CD--READING" is displayed.
- If there are many folders or files in USB device, the folder structure is complex or the USB device is close to capacity, it may take a long time to start to play.
- During playback, the folders or files not in MP3 format are skipped.

4. You can press the **PLAY/PAUSE (CD/USB) / ENTER / FM MONO / FM ST.** button to start playing track.

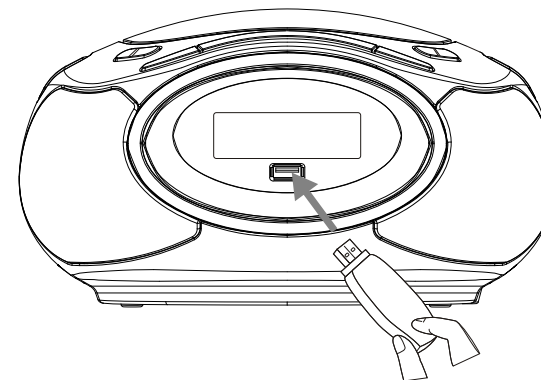
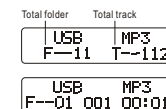
- Press again to stop playing track temporarily.
- Press again to resume playback.

5. Press the **SKIP+/SKIP-** buttons to go to the next track or back to the previous track.

- press and hold while playing until you find the place on the track you want.
- For MP3 discs, press the **FOLDER UP** or **FOLDER DN. / PRESET** buttons repeatedly to select a folder, then press the **SKIP+/SKIP-** buttons to select a file you want to play.

6. Press the **STOP / AUTO SCAN** button to stop playback.

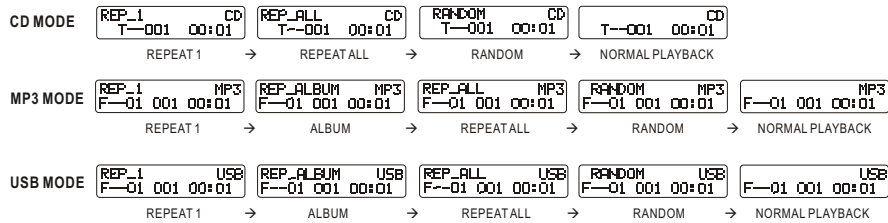
Note: When you remove the USB device, always press and hold the **PLAY/PAUSE (CD/USB) / ENTER / FM MONO / FM ST.** button for 2 seconds until switch to CD/MP3 mode, and then disconnect the USB device. Removing the USB device without performing this procedure may corrupt the data on the USB device or damage the device itself.



CD/MP3/USB Operation

Select play modes

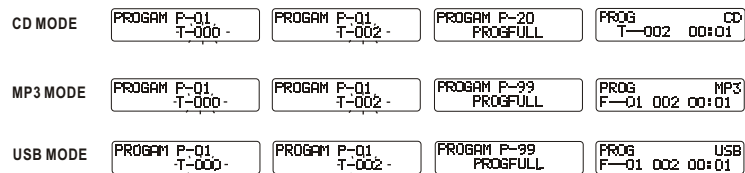
- Press the **REPEAT / DAB / FM** button repeatedly to select a play mode:
 - repeat 1: repeat the single track.
 - repeat all: repeat the whole disc.
 - repeat album: repeat the selected folder.
 - random: play tracks randomly.
- To return to normal play, press the **REPEAT / DAB / FM** button repeatedly until play mode icons are no longer displayed.



Program play sequence

You may store up to 20 tracks (in CD mode) or 99 tracks (in MP3 or USB mode) can be programmed for disc play in any order. Be sure to press the **STOP / AUTO SCAN** button before use.

- Press the **PROG. / INFO / RESTART** button to activate programming.
 - "PROGRAM", "P01" and "T-000" indicators will flash on the display.
 - For MP3/USB tracks, press the **PROG. / INFO / RESTART** button repeatedly to select an album, then press the **FOLDER UP** or **FOLDER DN. / PRESET** buttons to select a folder you want.
- Press the **SKIP+/SKIP-** buttons to select your desired track number.
- Press the **PROG. / INFO / RESTART** button to store the desired track number.
- Repeat steps 2-3 to select additional tracks into program memory.
 - When the memory is full, "PROGFULL" will show on the display.
- To play your program, press the **PLAY/PAUSE (CD/USB) / ENTER / FM MONO / FM ST.** button in stop mode.
 - The "PROG" indicator will show on the display.



Maintenance

Cleaning the Unit

- To clean the unit, wipe the case with slightly moist, lint-free cloth.
- Do not use any cleaning fluids containing alcohol, ammonia or abrasives.
- Do not spray any aerosol at or near the unit.

Note: Ensure the unit is fully unplugged from the mains socket before cleaning.

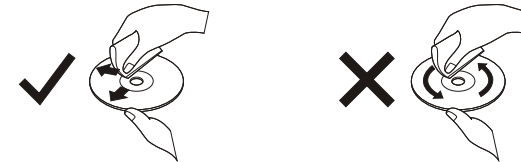
Handling Discs

- Do not touch the playback side of the disc.
- Do not attach paper or tape to the disc.



Cleaning Discs

- Fingerprints and dust on the disc cause picture and sound deterioration. Wipe the disc from the center outwards with a soft cloth. Always keep the disc clean.
- If you cannot wipe off the dust with a soft cloth, wipe the disc lightly with a slightly moistened cloth and finish with a dry cloth.
- Do not use any type of solvent such as thinner, benzene, commercially available cleaners or antistatic spray. They may damage the disc.



Cleaning Disc Lens

- Clean the lens with a camera lens brush, or similar. Follow the instructions supplied with the cleaner.

Storing Discs

- Do not store discs in places subjected to direct sunlight or near heat sources.
- Do not store discs in places subjected to moisture and dust such as a bathroom or near a humidifier.
- Storing discs vertically in a case, stacking discs or placing objects on discs outside of their cases may cause warping.

Environmental information

All unnecessary packaging materials has been omitted. The packaging can be easily separated into three materials: cardboard, polystyrene and plastic.

Your set consists of materials which can be recycled if disassembled by a specialized company. Please observe the local regulations regarding the disposal of packaging, dead batteries and old equipment.

Troubleshooting

If a fault occurs, first check the points listed below before taking the set for repair.

If you are unable to remedy a problem by following hints, consult your dealer or service center.

Note: Do not open the unit as there is a risk of electric shock. Under no circumstances should you try to repair the set yourself; as this will invalidate the guarantee.

No power

- Ensure that the power cord is connect securely.
- Ensure that there is power at the AC Mains.
- Ensure that the batteries are inserted correctly.

No sound or poor sound

- Adjust the volume.

No response from the unit

- Disconnect and reconnect the AC power cord, then turn on the unit again.
- Electrostatic discharge, re-connect the AC power cord after a few seconds.

CD does not play

- The disc is dirty. Clean the CD.
- The disc is placed upside down. Remove and place the CD right side up.
- Use a finalized CD or correct format disc.

The CD skips tracks

- Ensure that the CD is not damaged or dirty.
- Ensure that program mode is deactivated.

Desired station not found

- Weak signal. Use the Manual Tune function.

Poor radio reception

- Electrical interference in your home can cause poor reception. Move the unit away from them (especially those with motors and transformers).
- Fully extend the telescopic antenna.

The LCD display show "No DAB station"

- No DAB coverage in your area or poor reception. Adjust the position of the telescopic antenna.

The unit does not function properly while using batteries

- Batteries are dead. Replace with new batteries.
- The polarities of the batteries are incorrectly positioned.
- Reinsert the batteries ensuring the polarities (+/-) match the unit's indicated polarities (+/-).

File from USB device does not play

- Check the file format. This product only support MP3 format files.

Specifications

Power Supply	Mains: AC 230V ~ 50Hz Battery: DC 2x6V (8xUM-2 batteries not included)
Power Consumption	: 10W
Dimensions	: 233(L) x 209(W) x 129(H) mm
Weight	: 1.43 kg
Frequency Range	: FM 87.5-108MHz : DAB 174-240MHz
Output Power	: 1.2W x 2 (RMS)
Earphones Jack	: 3.5mm
USB	: USB 1.1 Full Speed compatible

(The technical characteristics are liable to change without notice)

Remarks:

- If any anomaly occurs, switch the **FUNCTION** selector to **OFF** position, and then switch it back to **CD/MP3/USB** or **Radio** again.
- If the unit is idle for more than 30 minutes, it will automatically enter to standby mode. Press the **PROG. / INFO / RESTART** button to resume use.

Notes for battery disposal

The batteries used with this product contain chemicals that are harmful to the environment. To prevent our environment, dispose of used batteries according to your local laws or regulations. Do not dispose of batteries with normal household waste.

For more information, please contact the local authority or your retailer where you purchased the product.



Recycle

This symbol bears the selective sorting symbol for waste electrical and electronic equipment (WEEE). This means that this product must be handled pursuant to European Directive 2002/96/EC in order to be recycled or dismantled to minimize its impact on the environment. It should be disposed at the end of its life separately from your household waste. There are separate collection systems for recycling in the EU.

For more information, please contact the local authority or your retailer where you purchased the product.

Electronic products not included in the selective sorting process are potentially dangerous for the environment and human health due to the presence of hazardous substances.



This mark is applied to show the equipment conforms to European safety and electromagnetic compatibility standards.



PRODUCT GUARANTEE

This product is guaranteed against manufacturing defects for a period of



Year

This product is guaranteed for twelve months from the date of original purchase. Any defect that arises due to faulty materials or workmanship will either be replaced, refunded or repaired free of charge where possible during this period by the dealer from whom you purchased the unit.

The guarantee is subject to the following provisions:

- The guarantee does not cover accidental damage, misuse, cabinet parts, knobs or consumable items.
- The product must be correctly installed and operated in accordance with the instructions contained in this manual.
- It must be used solely for domestic purpose.
- The guarantee will be rendered invalid if the product is re-sold or has been damaged by inexpert repair.
- Specifications are subject to change without notice.
- The manufacturer disclaims any liability for the incidental or consequential damages.
- The guarantee is in addition to, and does not diminish your statutory or legal rights.

Guarantor: Argos Ltd
489 - 499 Avebury Boulevard
Central Milton Keynes
MK9 2NW