

Arvika - 3 Door Mirror Robe

Assembly Instructions - Please keep for future reference

335/9789

346/6531



Dimensions

Width - 123cm

Depth - 49.5cm

Height - 186.5cm



**MADE IN
BRITAIN**

Important - Please read these instructions fully before starting assembly

If you need help or have damaged or missing parts, call the **Customer Helpline: 08456 400800**



Safety and Care Advice

Important - Please read these instructions fully before starting assembly

- **Warning:** This unit weighs approximately 83.5kgs. Please lift with care.
- Check you have all the components and tools listed on pages 1, 2 and 3.
- Remove all fittings from the plastic bags and separate them into their groups.
- Keep children and animals away from the work area, small parts could choke if swallowed.
- Parts of the assembly will be easier with 2 people.

- Make sure you have enough space to layout the parts before starting.
- Do not stand or put weight on the product, this could cause damage.
- Assemble the item as close to its final position (in the same room) as possible.
- Assemble on a soft level surface to avoid damaging the unit or your floor (use opened out unit carton).



• We do not recommend the use of power drill/drivers **for inserting screws**, as this could damage the unit. Only use hand screwdrivers.

• **Safety note:** It is recommended that this unit is secured to a wall using the overbalance kit supplied.

• Dispose of all packaging carefully and responsibly.

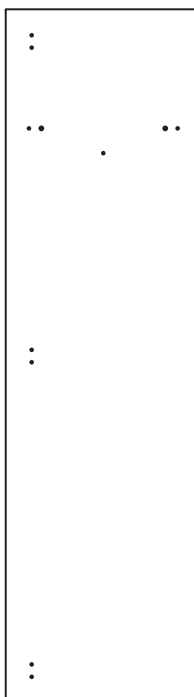
Care and maintenance

- Only clean using a damp cloth and mild detergent, do not use bleach or abrasive cleaners.
- From time to time check that there are no loose screws on this unit.
- This product should not be discarded with household waste. Take to your local authority waste disposal centre.

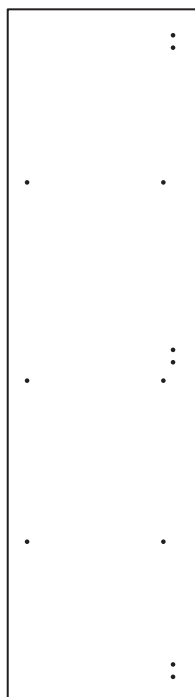
Components - Panels

If you have damaged or missing components, call the **Customer Helpline: 08456 400800** quoting the reference numbers below

Please check you have all the panels listed on pages 1 and 2



1 Left Side (DF917)
(1791 x 494mm)



2 Right Side (DF1893)
(1791 x 494mm)



3 Divider (DF1892)
(1791 x 464mm)

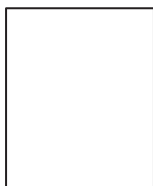
Components - Panels

If you have damaged or missing components, call the **Customer Helpline: 08456 400800** quoting the reference numbers below

Please check you have all the panels listed on pages 1 and 2



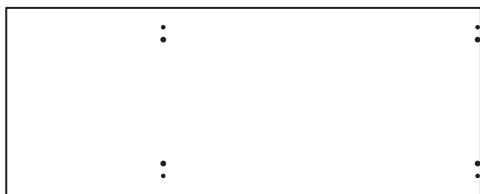
4 Horizontal (DF1420)
(797 x 464mm)



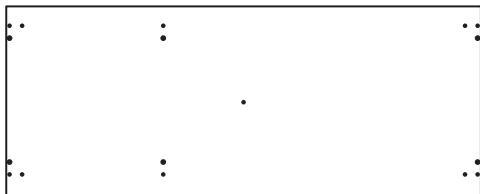
5 Shelf (DF1894)
(382 x 463mm) x 3



6 Hanging Rail (FHR791)
(791mm long)



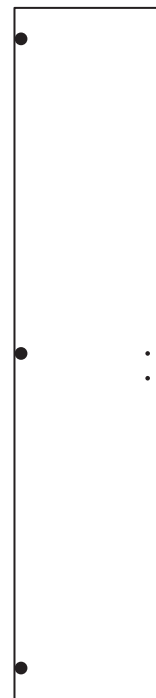
7 Top (DF1891)
(1226 x 495mm)



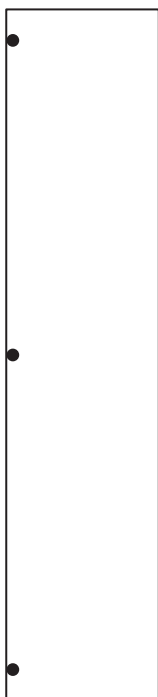
8 Base (DF1965)
(1226 x 495mm)



9 Left Door (DF920)
(1785 x 394mm)



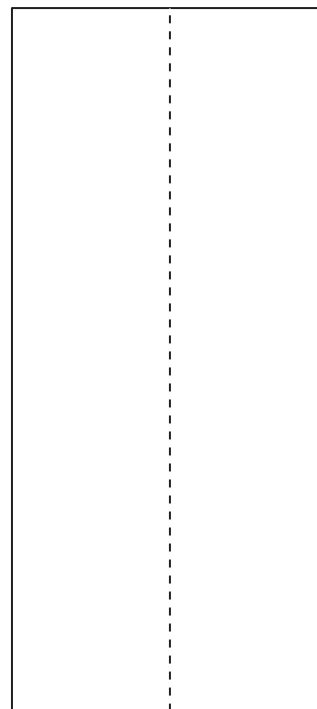
10 Right Door (DF3010)
(1785 x 394mm)



11 Mirror Door (DF3011)
(1785 x 394mm)
Mirror - SG27
1755 x 388mm
Safety Back SAR



12 Small Back (X1817-401)
(1817 x 401mm)



13 Large Back (X1817-816)
(1817 x 816mm)

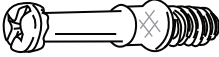


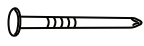




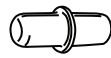

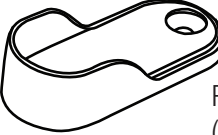
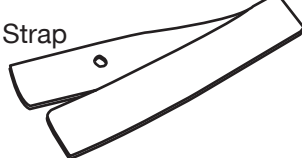
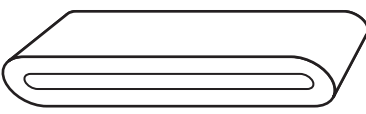
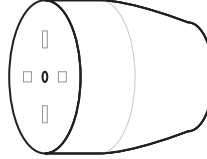


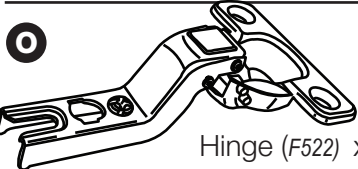



Components - Fittings

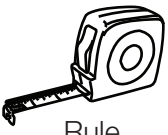
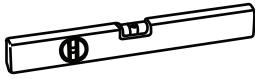

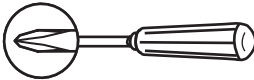


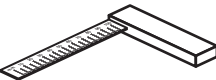


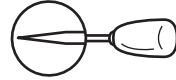
If you have damaged or missing components, call the **Customer Helpline: 08456 400800** quoting the reference numbers below

Please check you have all the fittings listed below

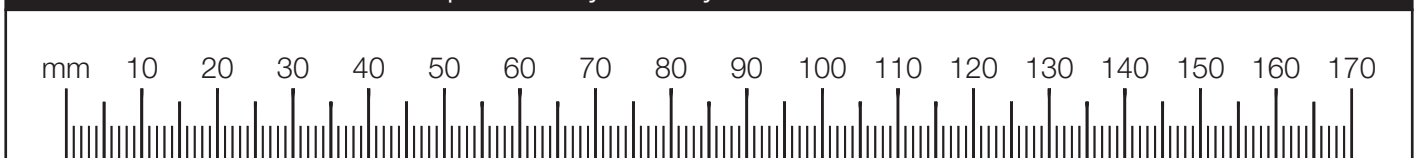
Note: The quantities below are the correct amount to complete the assembly. In some cases more fittings may be supplied than are required.

<p>A </p> <p>Metal dowel (F901) x 4</p>	<p>B </p> <p>Large locking nut (F900) x 4</p>	<p>C </p> <p>Wooden dowel (F22) x 16</p>
<p>D </p> <p>Nail (F51) x 40</p>	<p>E </p> <p>Nail screw (F277) x 6</p>	<p>F </p> <p>Back holder (F276) x 6 *These can also be round</p>
<p>G </p> <p>40mm Screw (F910) x 17</p>	<p>H </p> <p>19mm Screw (F461) x 4</p>	<p>I </p> <p>Shelf stud (F110) x 12</p>
<p>J </p> <p>13mm Screw (F63) x 22</p>	<p>K </p> <p>Rail Holder (F891) x 2</p>	<p>L </p> <p>Strap</p>
<p>M </p> <p>Handle (F336) x 2</p>	<p>N </p> <p>Leg (F334) x 5</p>	<p> Screw  Washer x 2</p> <p>Overbalance protector kit (F269) x 1</p>
<p>O </p> <p>Hinge (F522) x 9</p>	<p>P </p> <p>Hinge plate (F523) x 9</p>	

Tools required

<p></p> <p>Rule</p>	<p></p> <p>Spirit level</p>	<p></p> <p>Eye protection (when using a hammer or drill)</p>	<p></p> <p>Cross-head screwdriver</p>	<p></p> <p>Electric drill (only use when drilling into walls)</p>	<p></p> <p>Step ladder</p>
<p></p> <p>Square</p>	<p></p> <p>Scissors</p>	<p></p> <p>Hammer</p>	<p></p> <p>Bradawl</p>		

Ruler - Use this ruler to help correctly identify the screws



Assembly Instructions

If you have damaged or missing components, call the
Customer Helpline: 08456 400800 quoting the reference
numbers below

Step 1

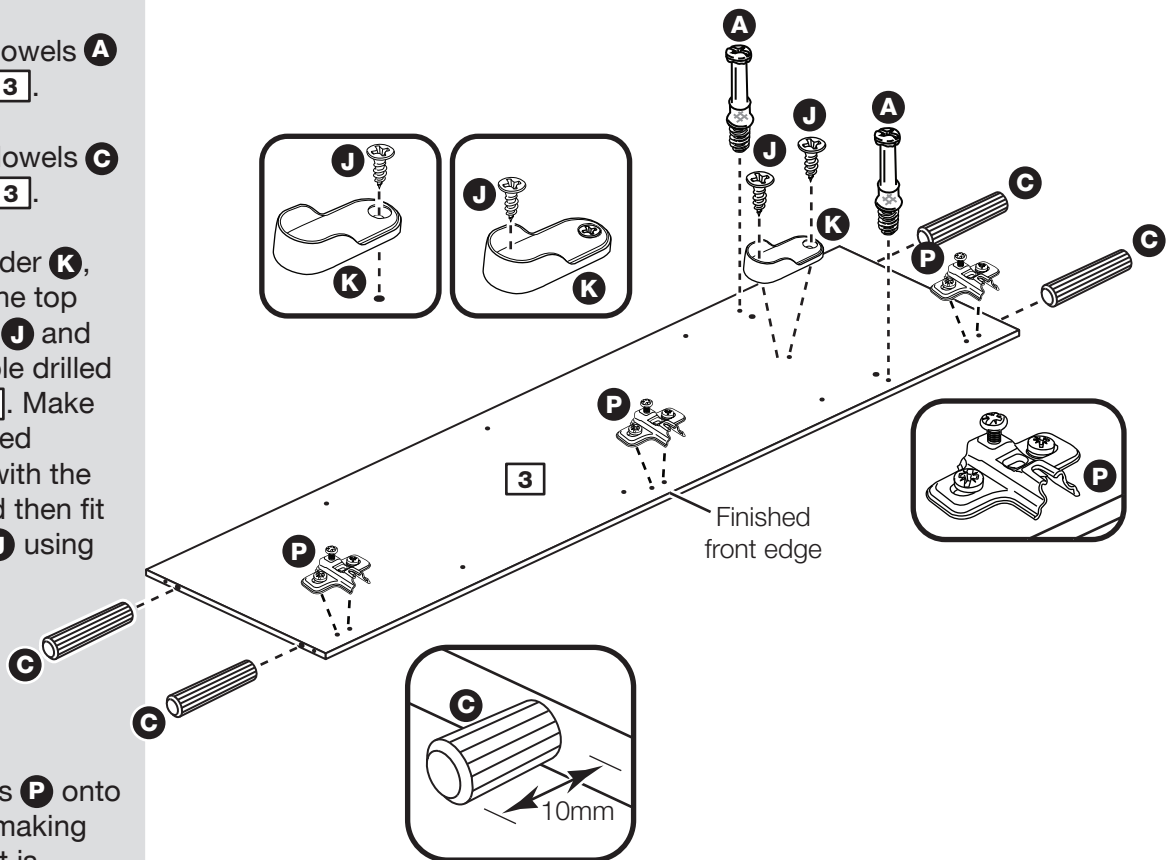
Prepare the divider

Screw 2 metal dowels **A** into the divider **3**.

Tap 4 wooden dowels **C** into the divider **3**.

To fit the rail holder **K**, screw through the top hole with screw **J** and into the mark hole drilled in the divider **3**. Make sure that it is fitted straight, in line with the panel edges and then fit another screw **J** using the lower hole.

Fit 3 hinge plates **P** onto the divider **3**, making sure that the slot is facing towards the finished front edge.



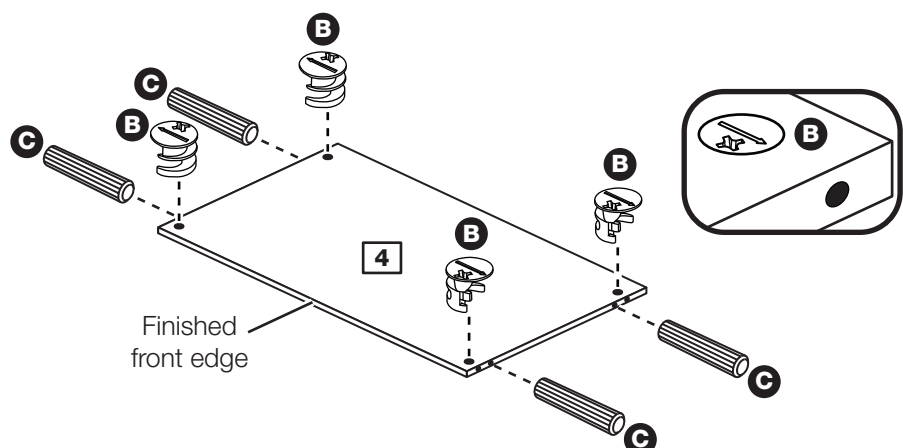
Step 2

Prepare the horizontal

Insert 4 large locking nuts **B** into the horizontal **4**.

Note: The arrow on the locking nut **must** point towards the hole in the edge of the panel.

Tap 4 wooden dowels **C** into the horizontal **4**.



Assembly Instructions

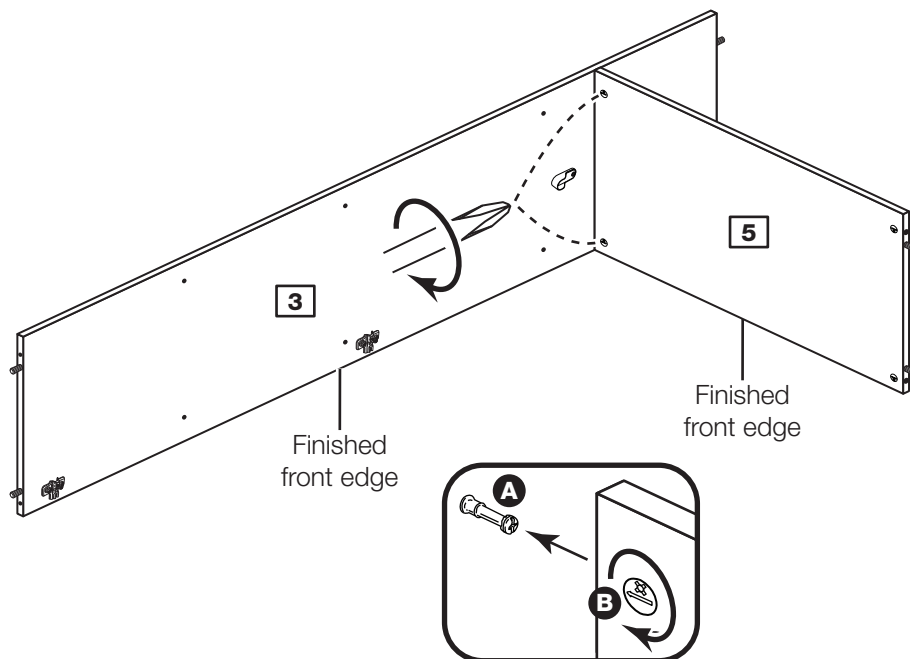
Step 3

Fit the horizontal to the divider

Push the horizontal **4** onto the divider **3**.

Use a screwdriver to tighten the 2 large locking nuts **B** fitted to the horizontal **4**.

Note: Turn the large locking nuts **B** as far as they will go - more than 1/2 a turn.



Step 4

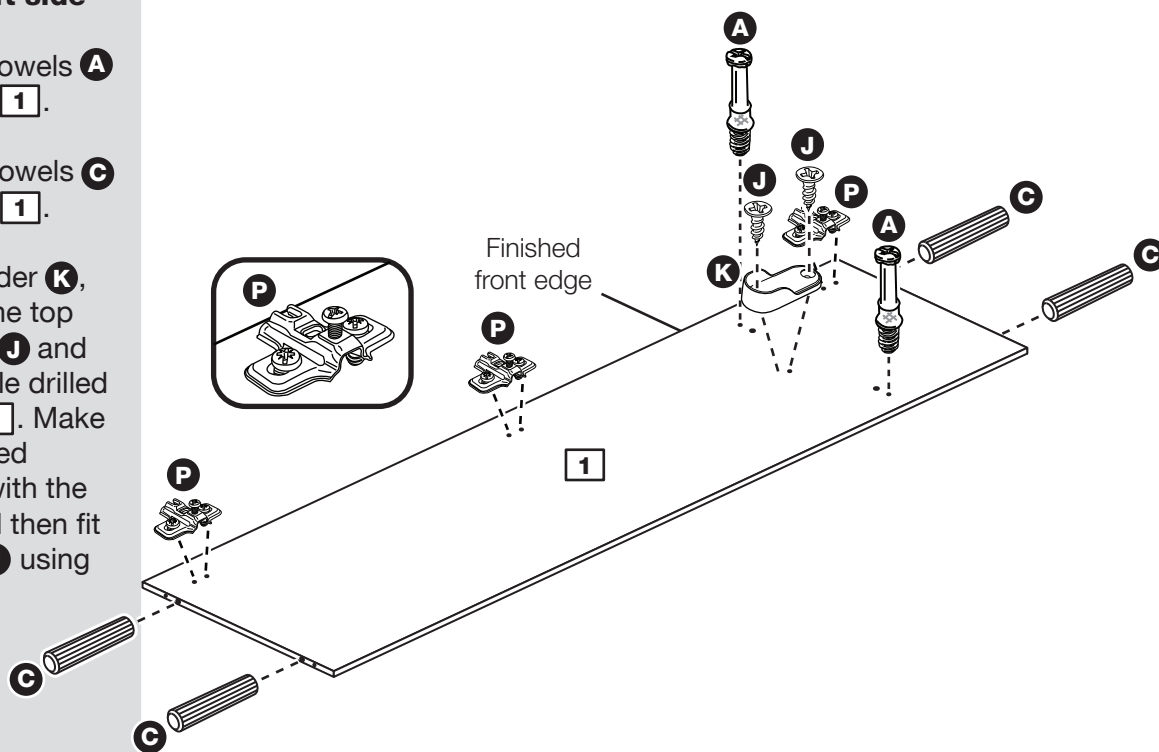
Prepare the left side

Screw 2 metal dowels **A** into the left side **1**.

Tap 4 wooden dowels **C** into the left side **1**.

To fit the rail holder **K**, screw through the top hole with screw **J** and into the mark hole drilled in the left side **1**. Make sure that it is fitted straight, in line with the panel edges and then fit another screw **J** using the lower hole.

Fit 3 hinge plates **P** onto the left side **1**, making sure that the slot is facing towards the finished front edge.



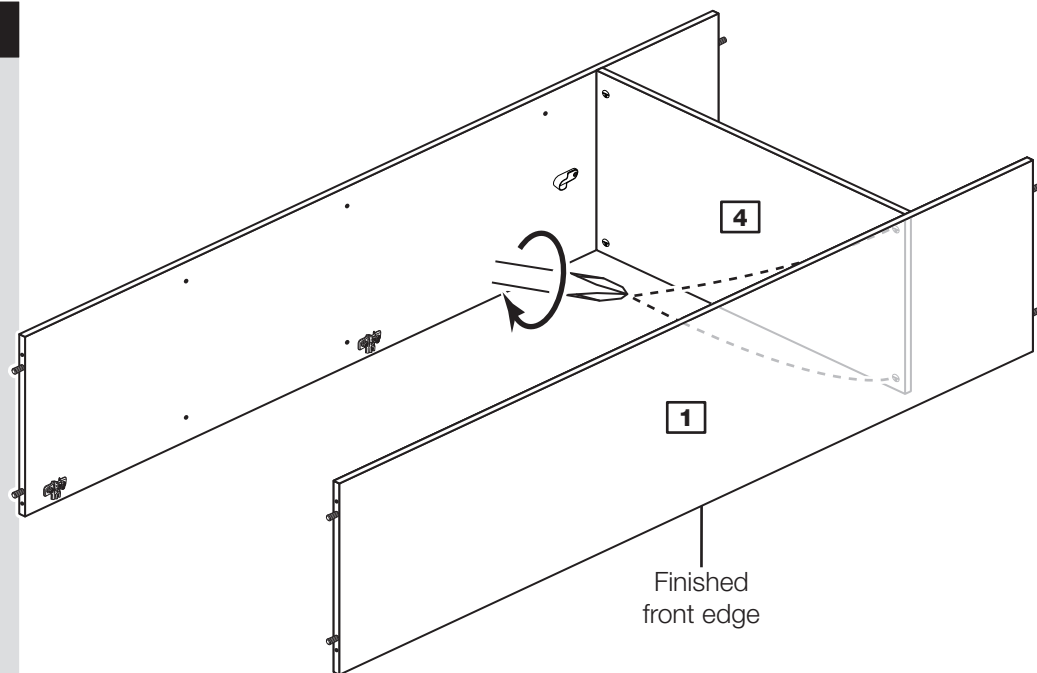
Assembly Instructions

Step 5

Fit the left side

Push the left side **1** onto the horizontal **4**.

Use a screwdriver to tighten the 2 large locking nuts **B** fitted to the horizontal **4**.

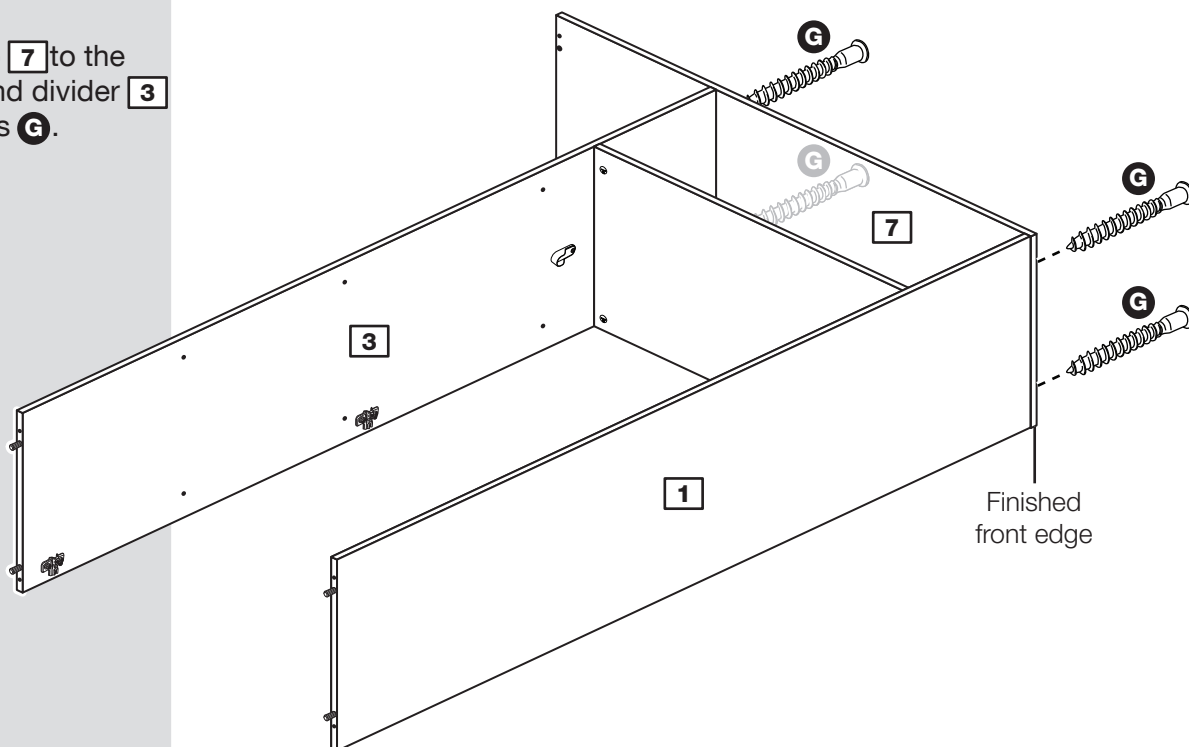


Step 6

Fit the top

Attach the top **7** to the left side **1** and divider **3** using 4 screws **G**.

Note: The top panel has been finished on both surfaces. The base panel only has 1 finished surface.



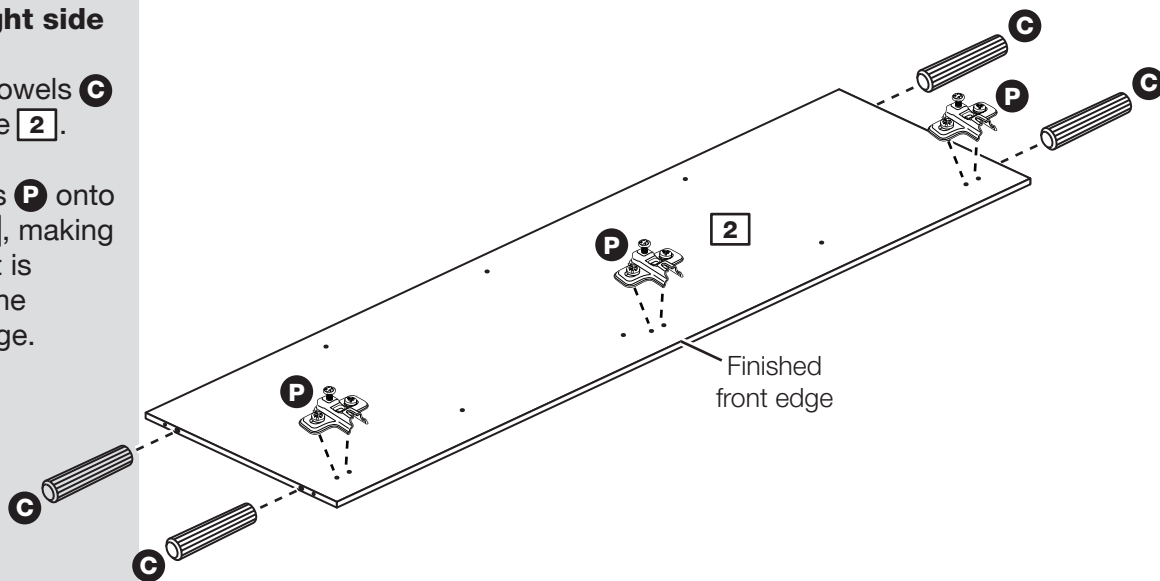
Assembly Instructions

Step 7

Prepare the right side

Tap 4 wooden dowels **C** into the right side **2**.

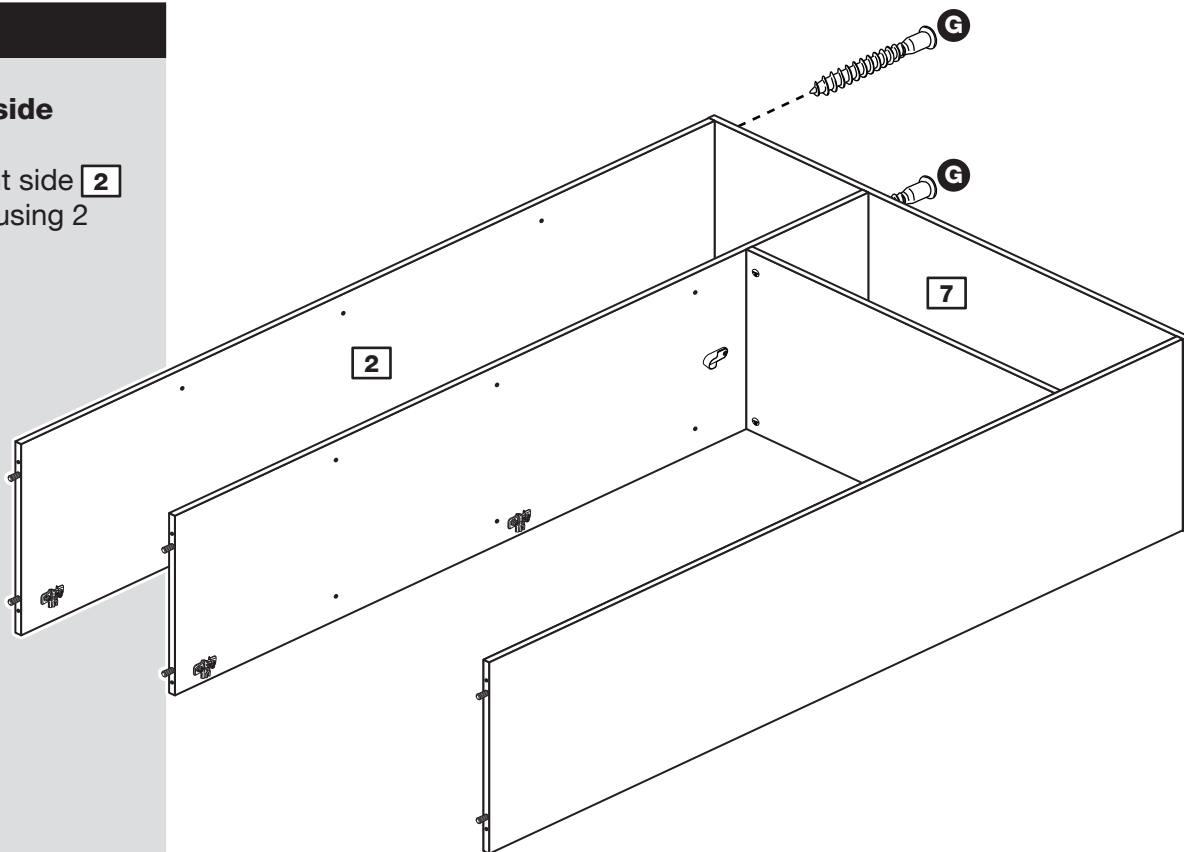
Fit 3 hinge plates **P** onto the right side **2**, making sure that the slot is facing towards the finished front edge.



Step 8

Fit the right side

Attach the right side **2** to the top **7** using 2 screws **G**.

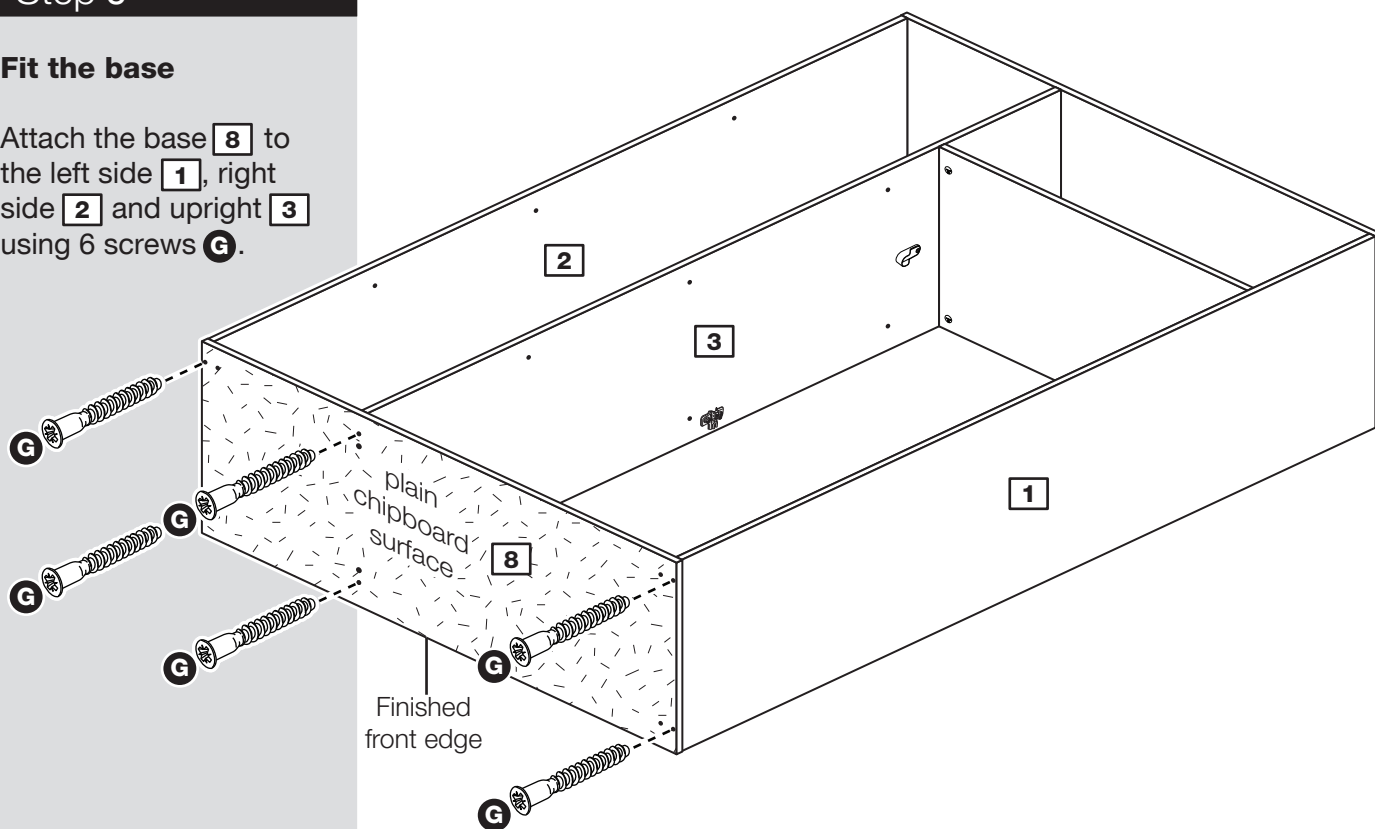


Assembly Instructions

Step 9

Fit the base

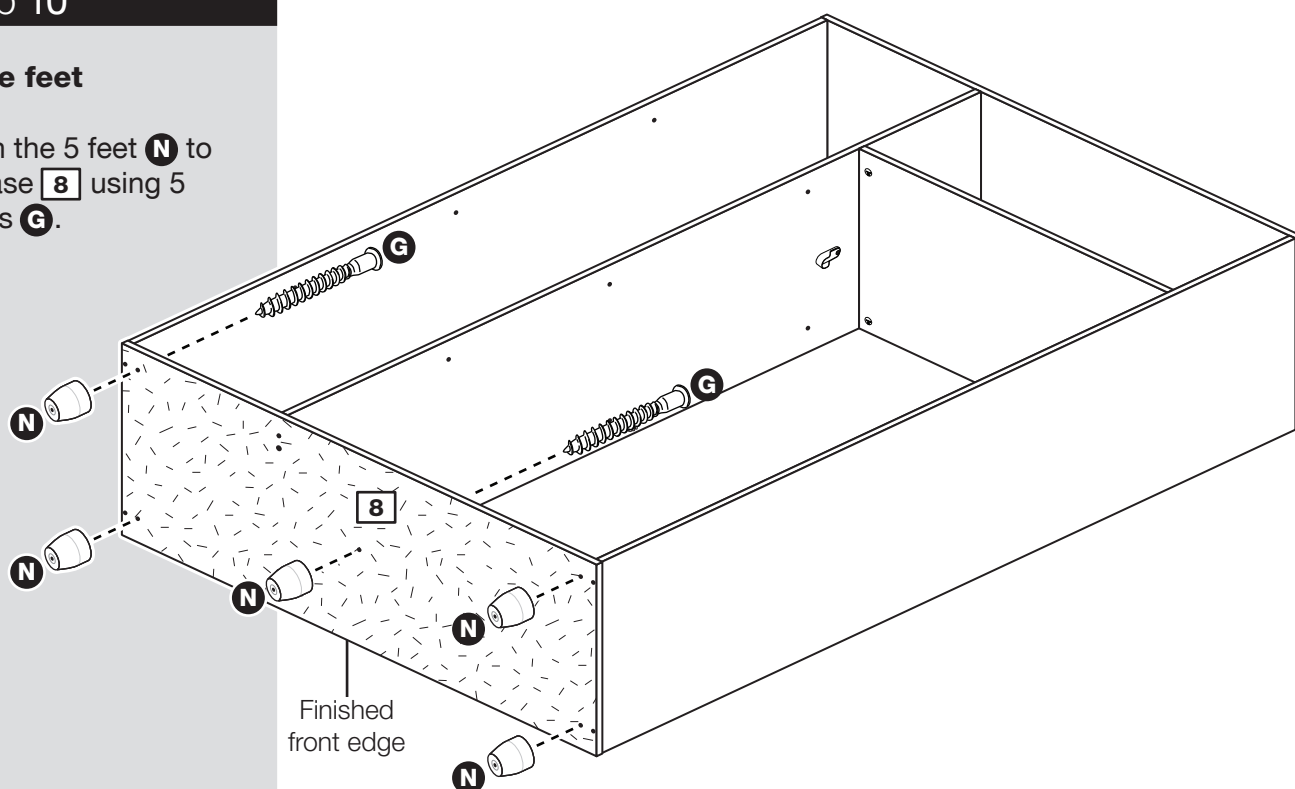
Attach the base **8** to the left side **1**, right side **2** and upright **3** using 6 screws **G**.



Step 10

Fit the feet

Attach the 5 feet **N** to the base **8** using 5 screws **G**.



Assembly Instructions

Step 11

Fit the back panels

a: Square up the unit by making sure that measurement **x:x equals y:y**.

Place the small back **12** and large back **13** down, onto the unit as shown.

Make sure that the 2 backs are pushed up tight against each other and that they meet in the centre of the divider's back edge.

b: Nail **D** around the outside edges of the 2 backs.

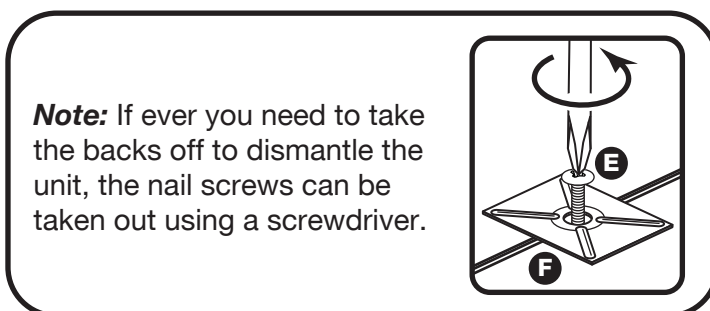
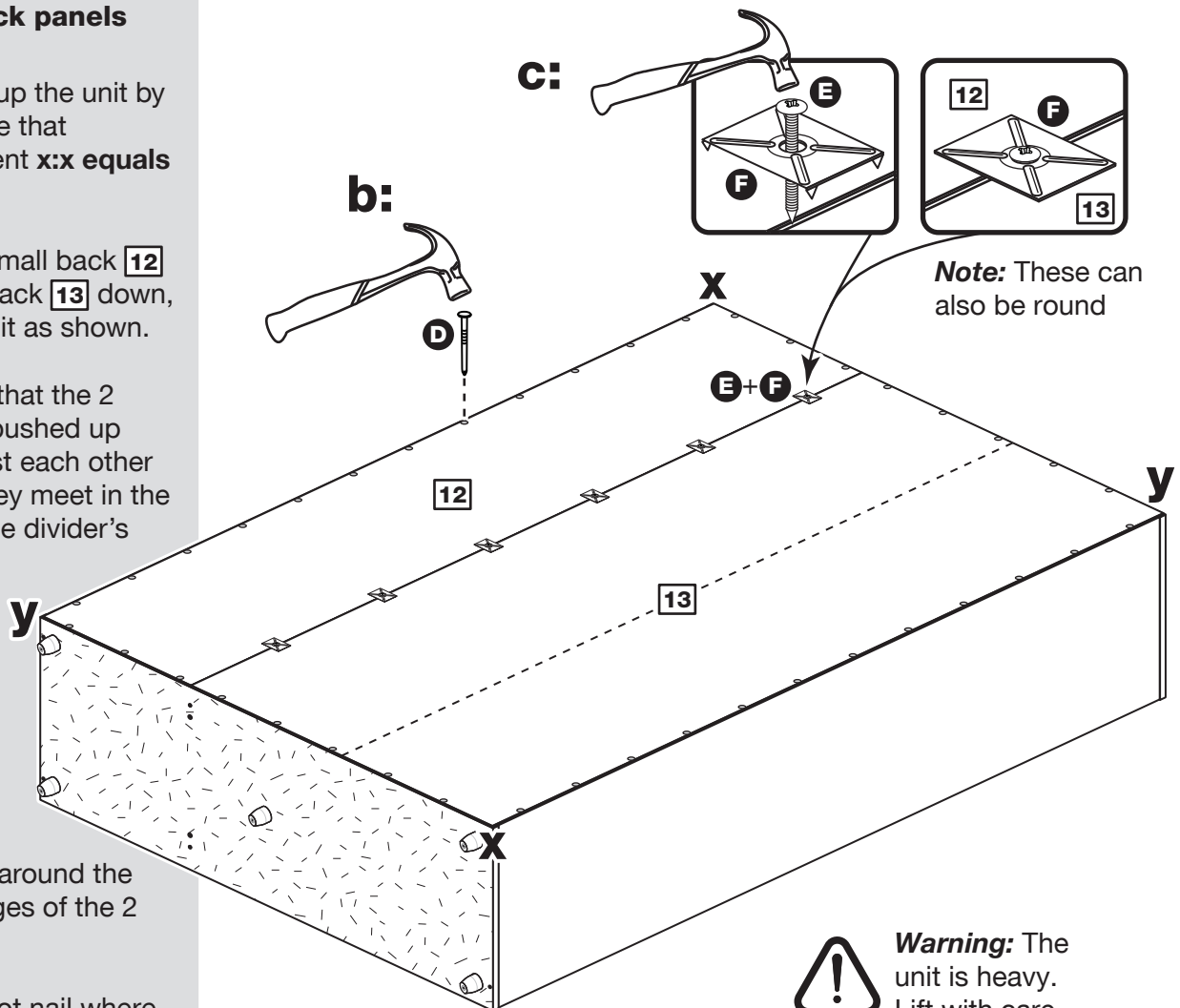
Note: Do not nail where the 2 backs meet and nails should be spaced about 150mm apart.

c: Push the 6 nail screws **E** through the 6 back holders **F** and tap them down between the small back **12** and large back **13** and into the back edge of the divider **3**.

Keep tapping the nail screws **E** in until the back holders **F** dig into the small and large back.

Carefully stand the unit up for the next step.

a: The measurement from top corner X to bottom corner X must be equal to the measurement from top corner Y to bottom corner Y



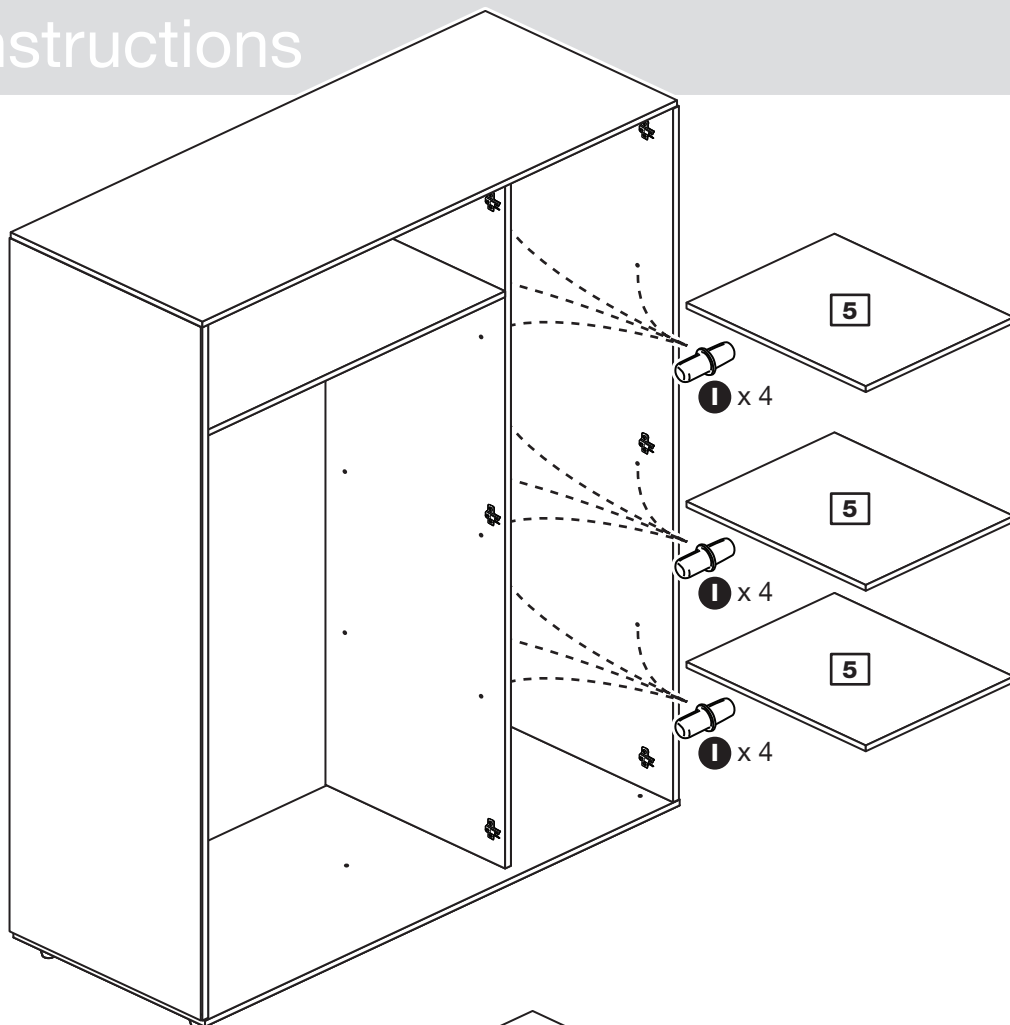
Assembly Instructions

Step 12

Fit the shelves

For each of the 3 shelves **5**, insert 4 shelf studs **1**.

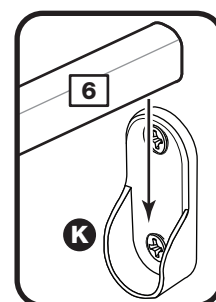
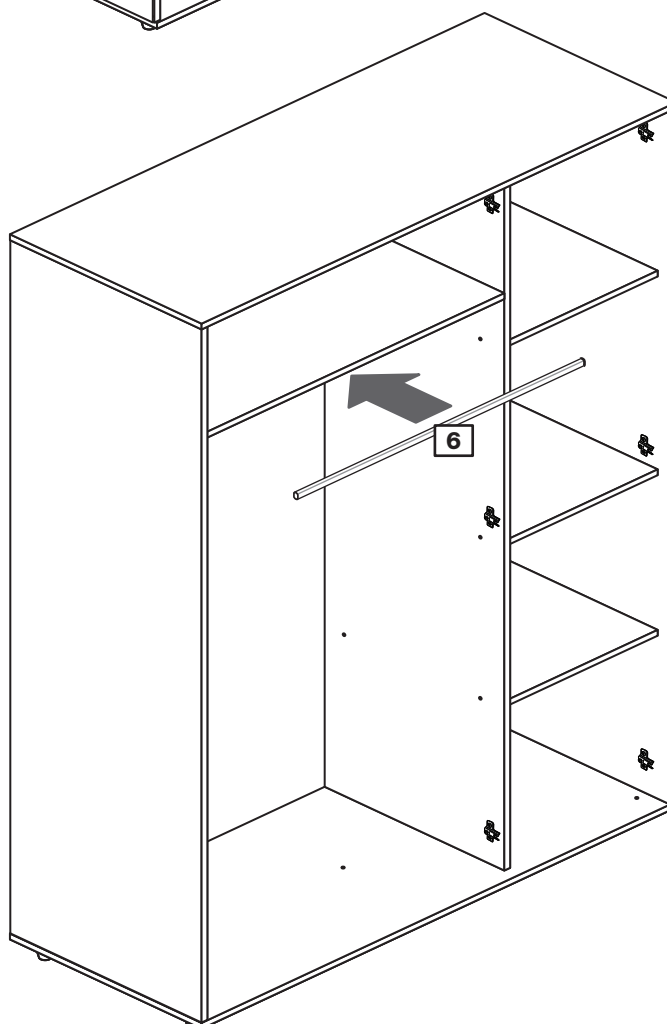
Lower the 3 shelves **5** down onto the shelf studs **1**.



Step 13

Fit the hanging rail

Push the hanging rail **6** into the rail holders **K**.



Assembly Instructions

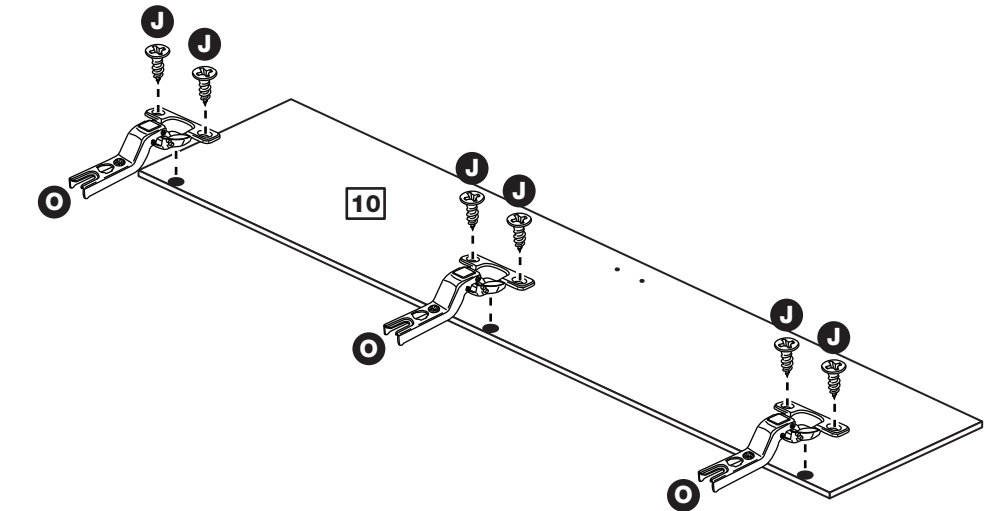
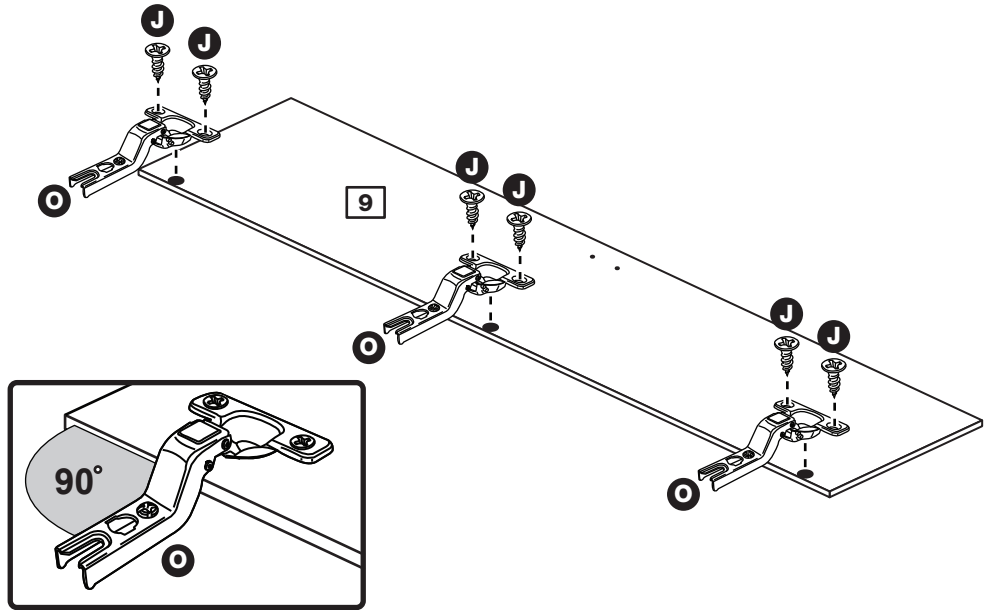
Step 14

Prepare the left and right doors

Push fit 3 hinges **9** into the left door **9** and the right door **10**.

Secure each hinge with 2 screws **J**.

Note: Before securing with the screws, make sure that the hinges are positioned at 90 degrees with the edge of the door.



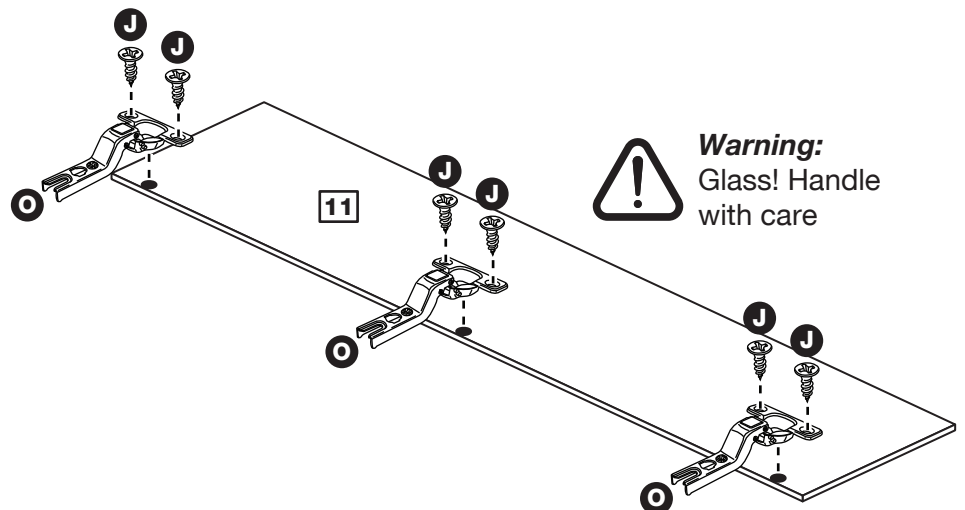
Step 15

Prepare the mirror door

Push fit 3 hinges **9** into the mirror door **11**.

Secure each hinge with 2 screws **J**.

Note: Before securing with the screws, make sure that the hinges are positioned at 90 degrees with the edge of the door.



Assembly Instructions

Step 16

Fit doors and handles

Note: The easiest way to attach each door **9**, **10** and **11** is to fit the top hinge first, then align and fit the other hinges.

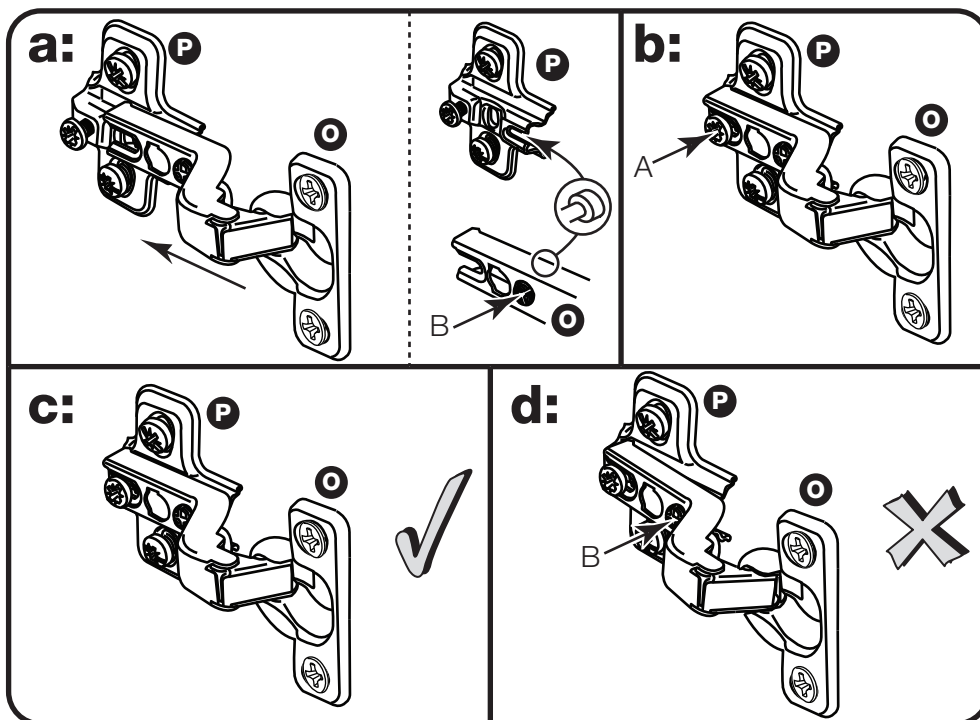
a: Push the hinge **O** onto the front part of the hinge plate **P**. The recess at the bottom of screw B goes into the slot in the hinge plate.

b: Keep the hinge **O** FLAT against the hinge plate **P** as you slide it across as far as it will go. Tighten screw A.

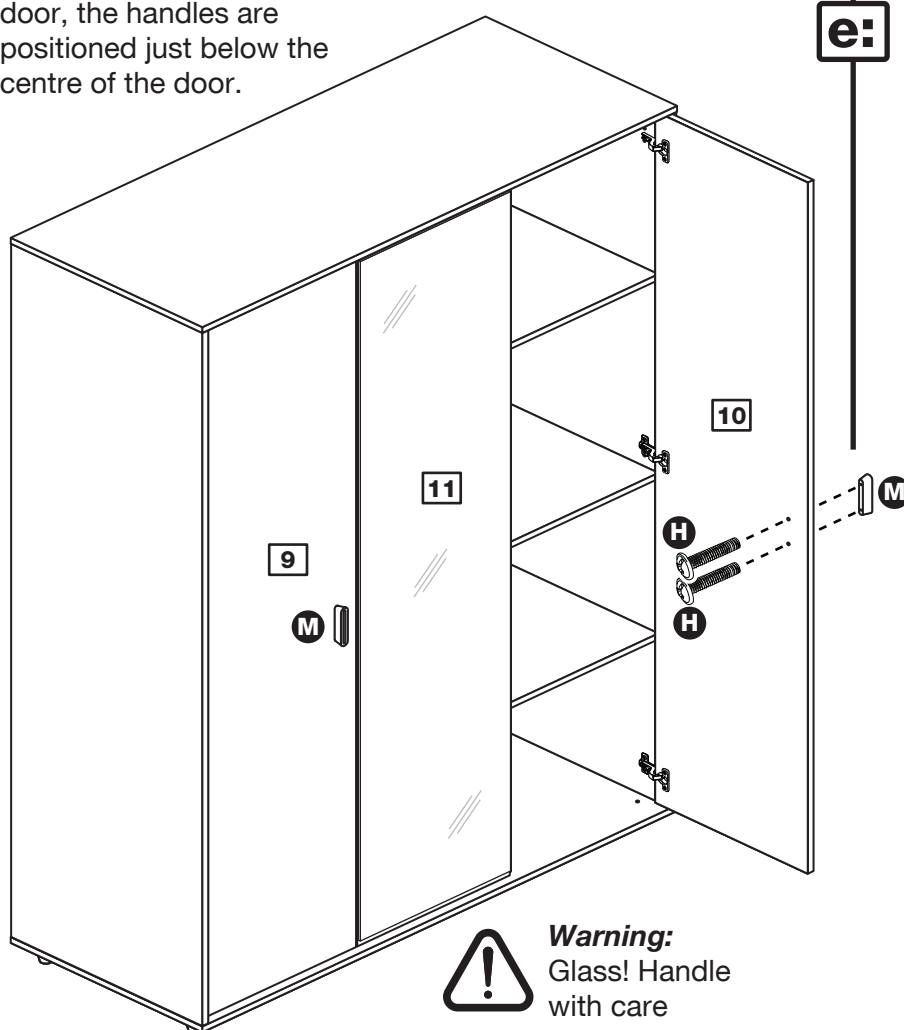
c: The hinge **O** must be flat against the hinge plate **P** prior to any adjustment.

d: The hinge **O** must NOT be AT AN ANGLE to the hinge plate **P** when assembled. This would indicate that the recess at the bottom of screw B had not located in the slot in the hinge plate and the hinge would not be secure. Remove the hinge from the hinge plate and then re-assemble being careful to follow instructions a-c.

e: Attach a handle **M** to the left door **9** and the right door **10** using screws **H**.



Note: To differentiate between the left and right door, the handles are positioned just below the centre of the door.



Warning:
Glass! Handle with care

Assembly Instructions

Step 17

Adjust the doors if needed

a: Before adjusting the doors, use a spirit level to check the base (or top) of the unit is level, front-to-back and side-to-side in the 3 positions shown. Use suitable packing pieces (not supplied) to make the unit level BEFORE making any adjustment to the hinges, as shown.

b: Height adjustment.

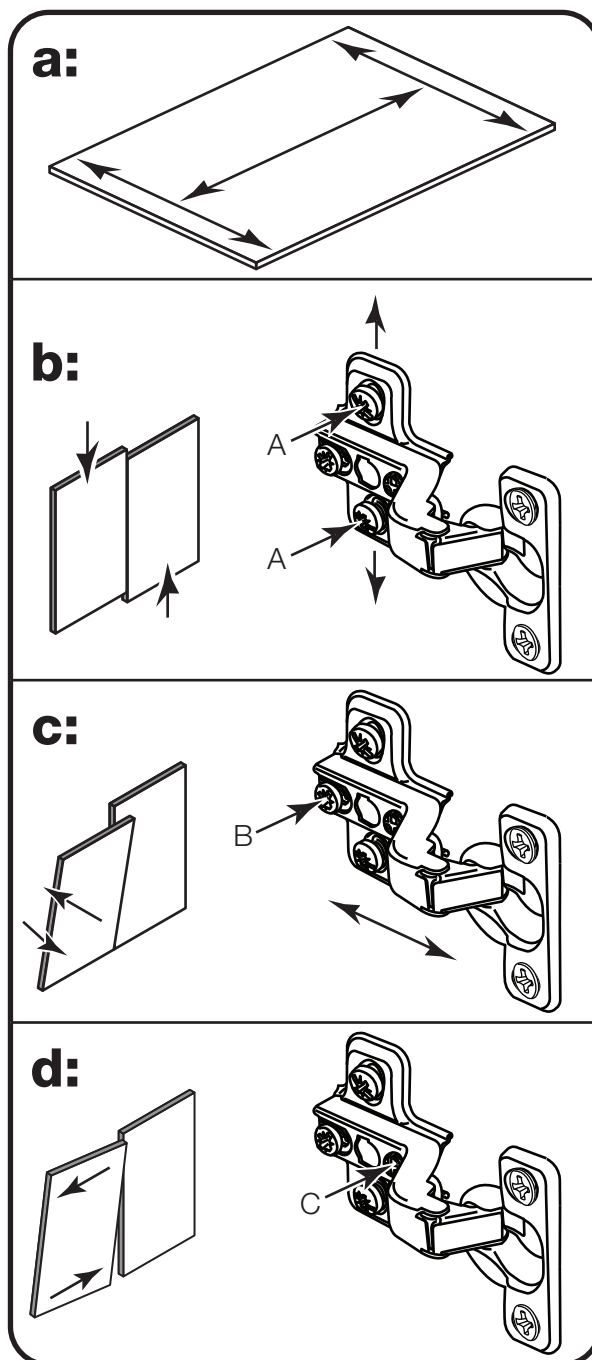
Loosen screws A on hinge plates and move door up or down as required. Retighten screw A.

c: Forward and Back adjustment.

Loosen screw B on hinge plate and move door in or out as required. Retighten screw B.

d: Sideways adjustment.

To move door 'out' loosen screw C. To move door 'in' tighten screw C.



Assembly Instructions

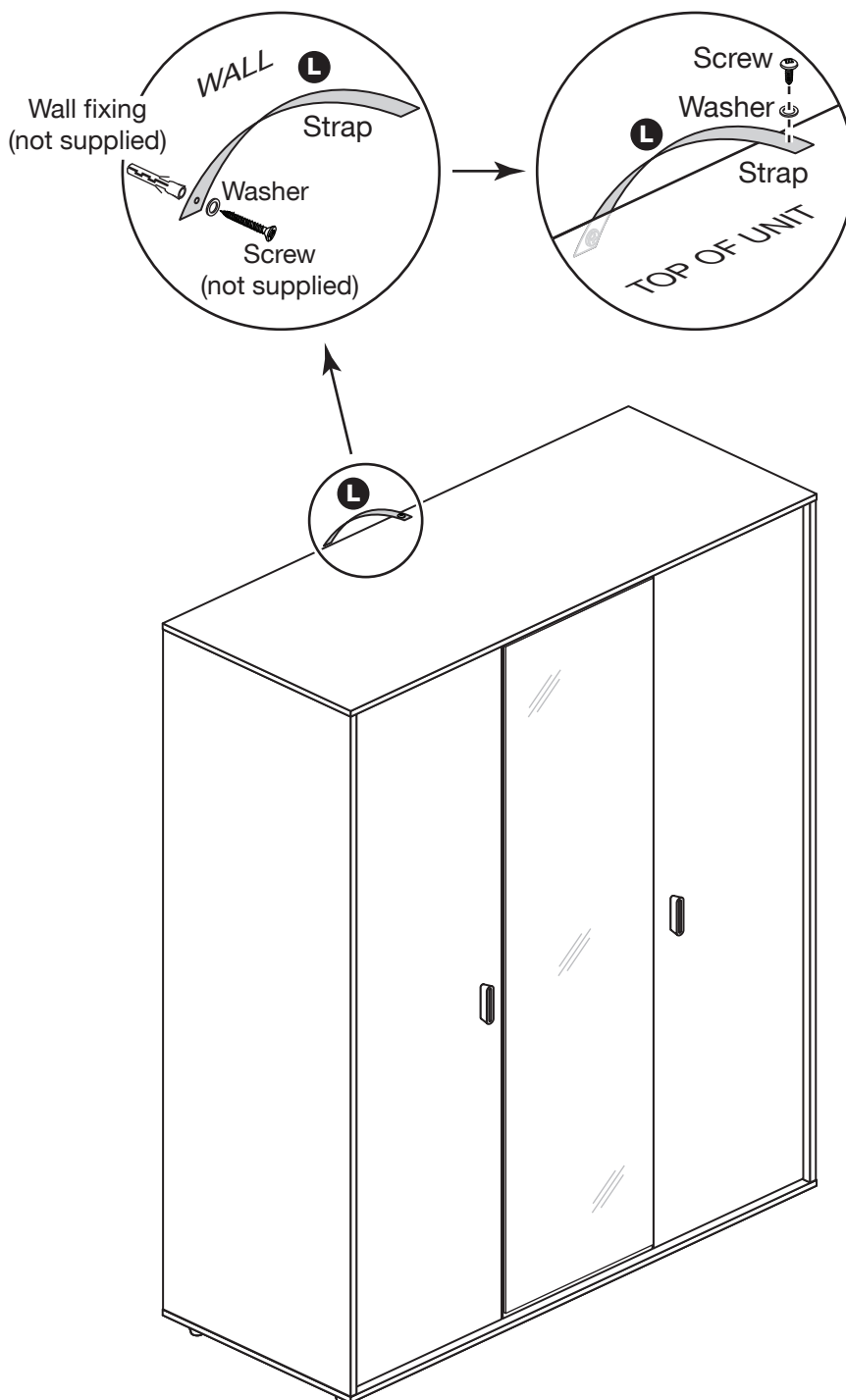
Step 18

Fit the overbalance protector

To prevent possible overbalancing we recommend that this unit is secured to a suitable wall by use of the overbalance protector kit **L** fitted to the unit or, an alternative fixing method of your choice.

Wall fixings are not supplied as they will need to suit the wall type.

Note: Take care when drilling the wall that you do not drill into any pipes, wires etc. If in doubt, consult an expert.



Assembly Instructions

Step 19

Assembly is complete



IMPORTANT INFORMATION ABOUT THIS PRODUCT

This product complies with the requirements of BS 7449:1991 and has been manufactured by DECORATIVE PANELS FURNITURE LTD, TEESIDE INDUSTRIAL ESTATE, THORNABY-ON-TEES, CLEVELAND, TS17 9LT.

The product code for this unit and the item code(s) for the glass components are listed in the Assembly Instructions along with a description of the type of glass used. All clear/tinted glass complies with the requirements of BS 6206 Class A. All mirrors comply with the requirements of BS 6206 Class C. If the glass component contained in this unit is chipped or broken consult the furniture manufacturer, retailer, or agent with regard to obtaining a manufacturing specification and shape for replacement glass quoting the unit description and batch number or date of manufacture.

Do not place very hot or very cold items against or in close proximity to glass surface(s) unless adequately thick insulating material is used to prevent such items coming in contact with the glass.

Do not strike the glass with hard or pointed items.

Do not sit or stand upon horizontal glass surfaces.

When cleaning glass panels use a damp cloth or leather with washing up liquid or soft soap if necessary - do not use washing powders or any other substance containing abrasives since these substances scratch glass.

If stated in the instruction leaflet, it is essential that this unit is fixed to a wall.

KEEP THESE INSTRUCTIONS FOR FUTURE USE

If you need help or have damaged or missing parts, call the **Customer Helpline: 08456 400800** and quote the reference numbers on the component pages.

Argos Ltd, 489-499 Avebury Boulevard, Central Milton Keynes, MK9 2NW