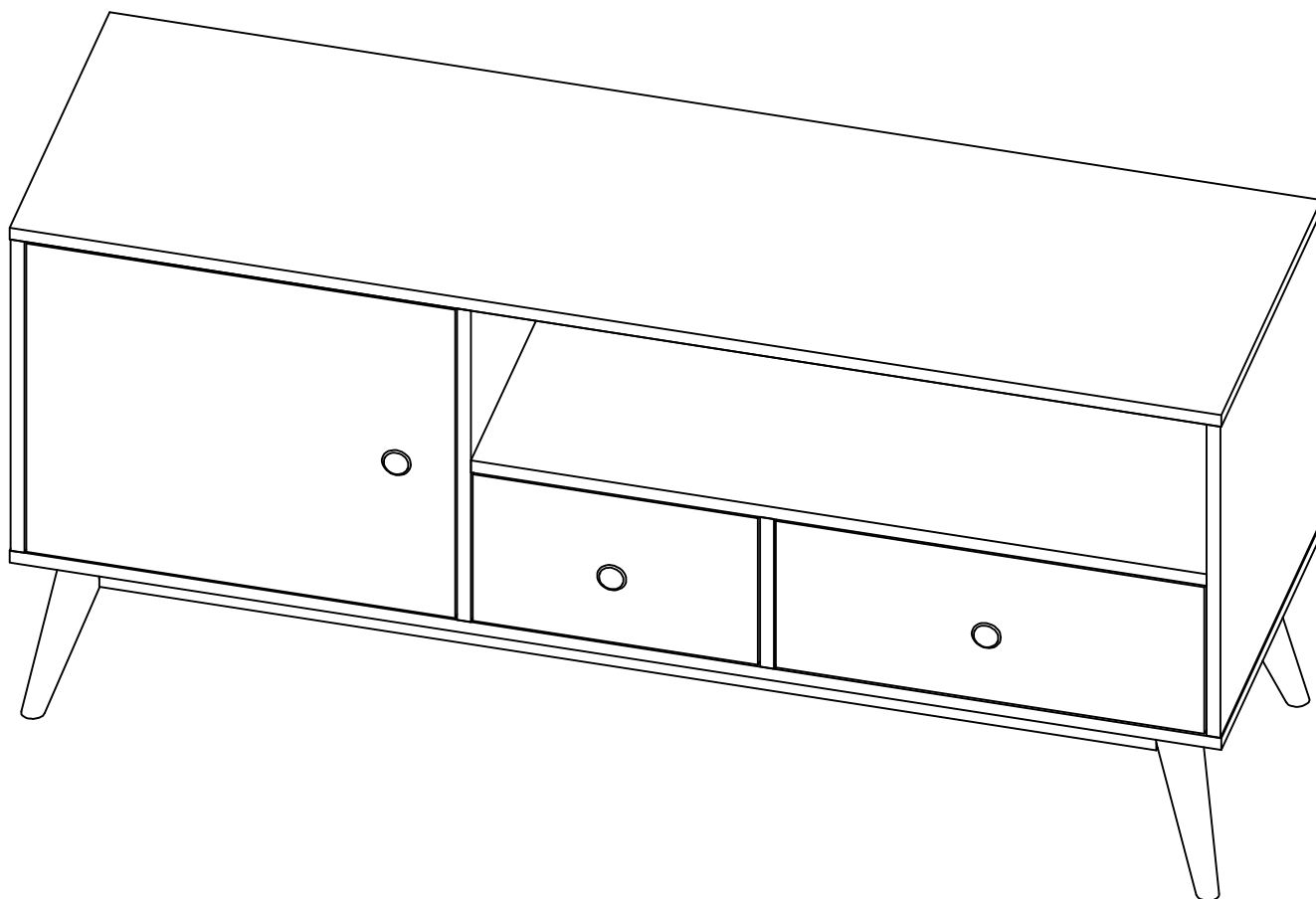


# HYGENA RETRO TV UNIT COLOUR DRAWERS AND DOOR

Assembly Instructions - Please keep for future reference

333/4801

**hygena**



## Dimensions

Width - 130cm

Depth - 40cm

Height - 50cm

**Important – Please read these instructions fully before starting assembly**

If you need help or have damaged or missing parts, call the **Customer Helpline: Argos= 0345 640 0800**



# Safety and Care Advice

**Important – Please read these instructions fully before starting assembly**

- Check you have all the components and tools listed on the following pages
- Remove all fitting from the plastic bags and separate them into their groups.
- Keep children and animals away from the work area, small parts could choke if swallowed.
- Make sure you have enough space to layout the parts before starting.

- During assembly do not stand or put weight on the product, this could cause damage.
- Assemble the item as close to its final position (in the same room) as possible.
- Assemble on a soft level surface to avoid damaging the unit or your floor.
- Parts of the assembly may be easier with 2 people.



power drill is set on a low torque setting.

- To reduce the likely hood of damaging your product please ensure that your

## Care and maintenance

- Only clean using a damp cloth and mild detergent, do not use bleach or abrasive cleaners.
- From time to time check that there are no loose screws on this unit.
- This product should not be discarded with household waste. Take to your local authority waste disposal centre.

## Handy Hints

- Assemble all parts and bolts loosely during assembly, only once the product is complete should you fully tighten the bolts
- Regularly check and ensure that all bolts and fittings are tightened properly.

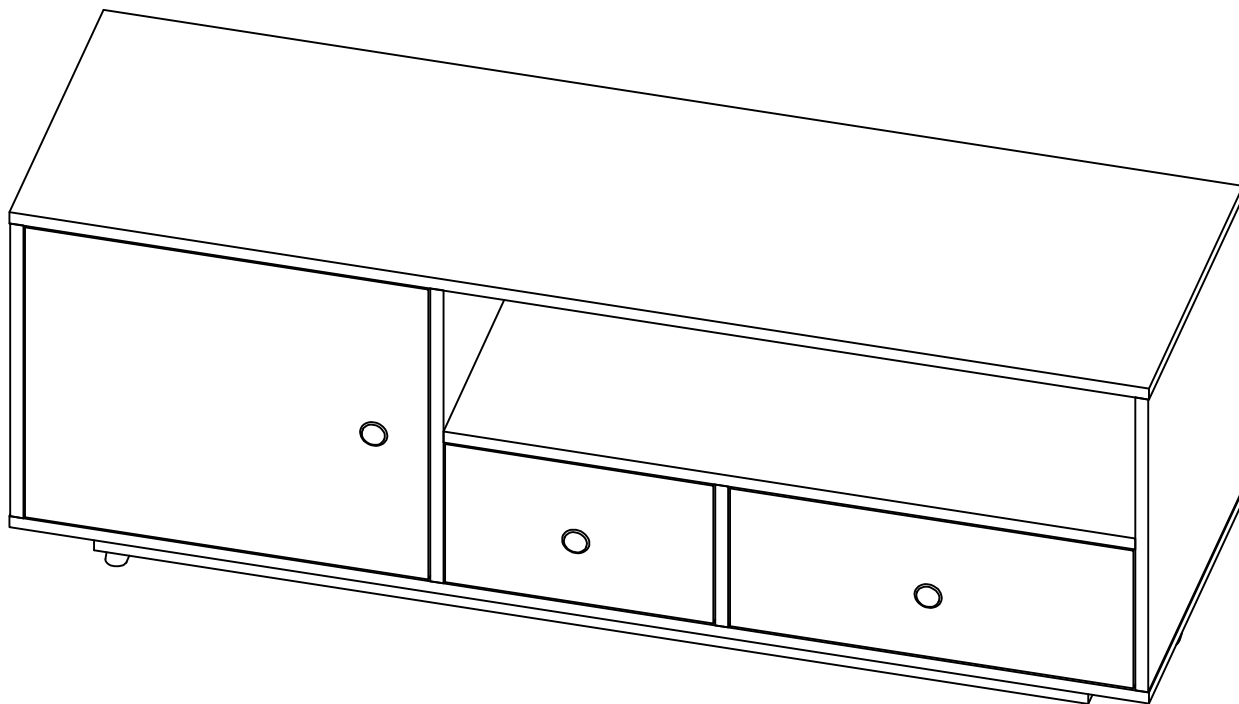
**Note:** if required the next page can be cut out and used as reference throughout the assembly. Keep this page with these instructions for future reference.

# Components - Panels

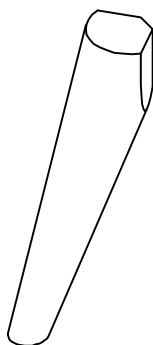
If you have damaged or missing components,  
call the **Customer Helpline: Argos= 0345 6400800**

Please check you have all the panels listed below

**1** Top Cabinet (130x40x34.5cm)



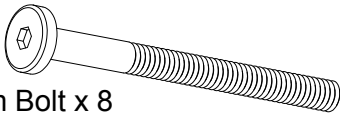
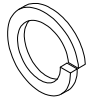
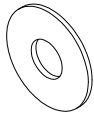

**2** Legs x 4 (5.7x5.7x22.7cm)



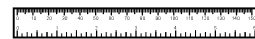
# Components - Fittings

Please check you have all the fittings listed below

**Note:** The quantities below are the correct amount to completed the assembly. In some cases more fittings may be supplied than are required.

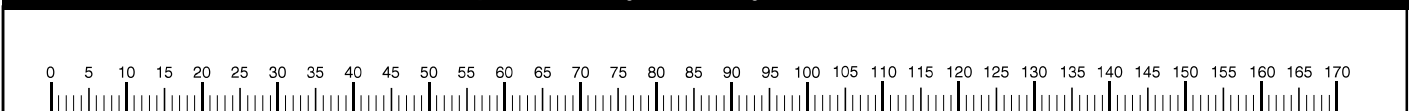
<p><b>A</b></p>  <p>M6x50mm Bolt x 8</p>	<p><b>B</b></p>  <p>Spring Washer x 8</p>	<p><b>C</b></p>  <p>Washer x 8</p>
<p><b>D</b></p>  <p>Allen Key x 1</p>		

## Tools required



Ruler/tape measure

**Ruler** - Use this ruler to help correctly identify the screws

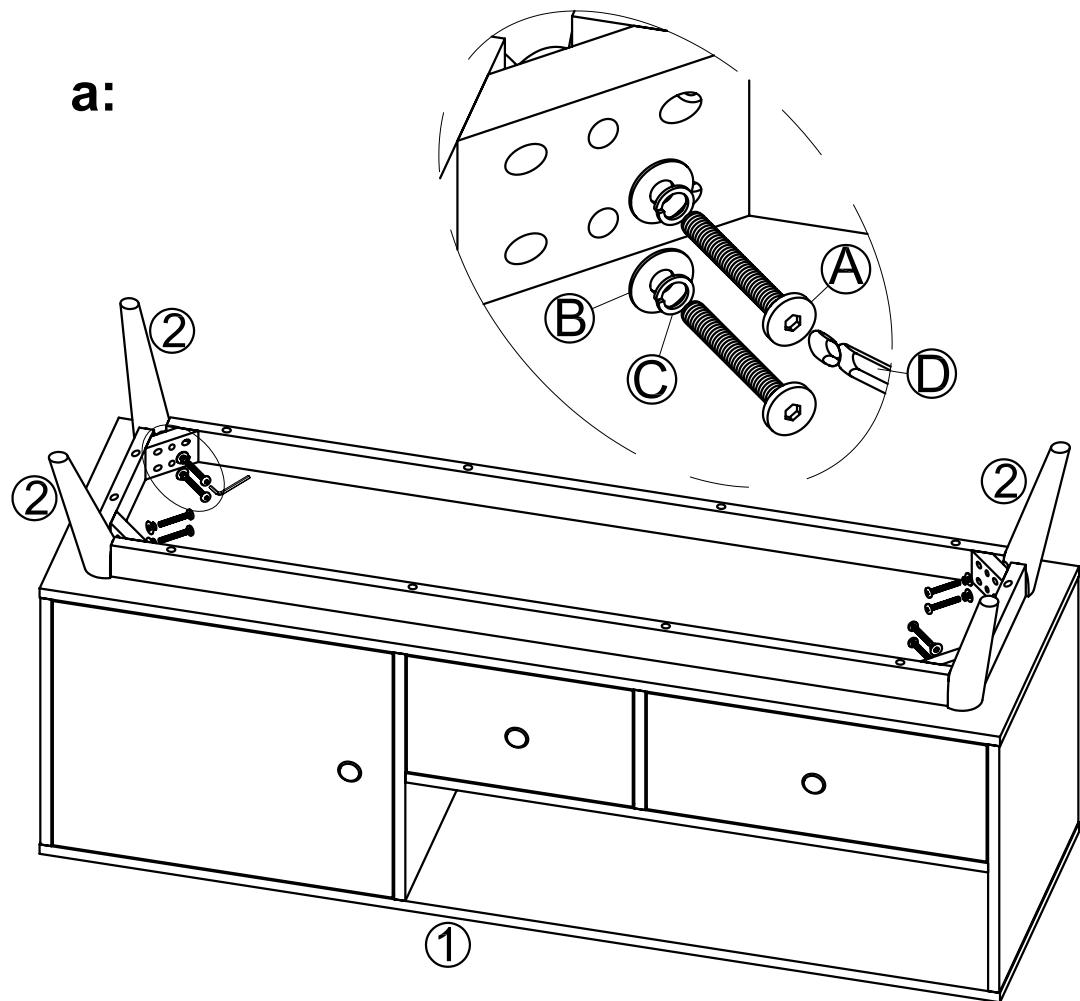


# Assembly Instructions

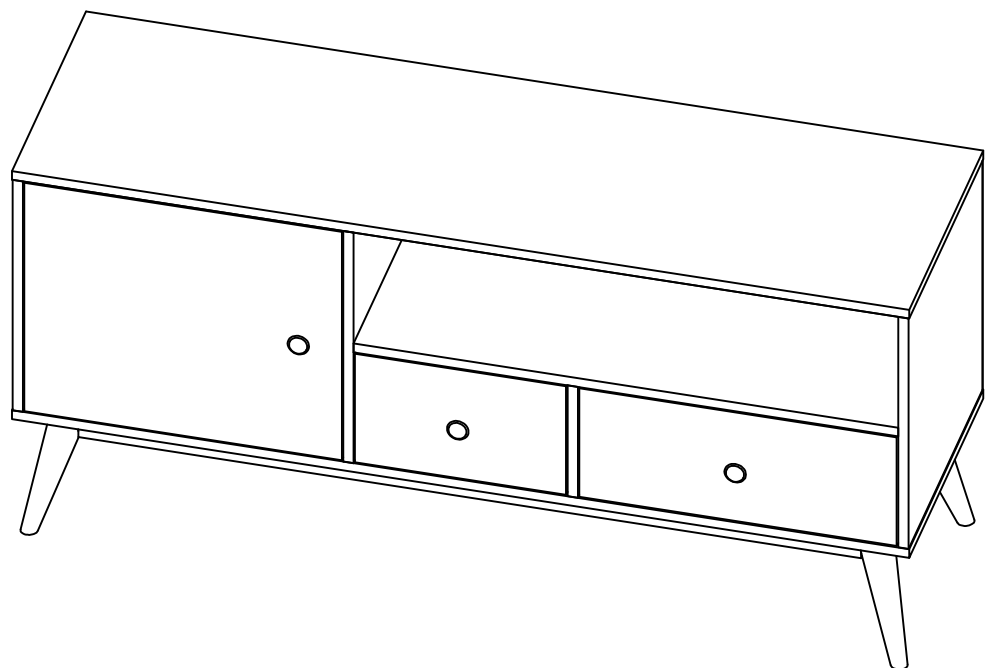
## Step 1

### Assemble legs

**a:** Turn over the cabinet **1** on smooth and clean surface as shown. Attach the legs **2** to the cabinet **1** by bolts **A**, spring washers **B**, washers **C**, and allen key **D**. Tighten all bolts.



Turn over the cabinet as shown.



**Assembly is completed.**