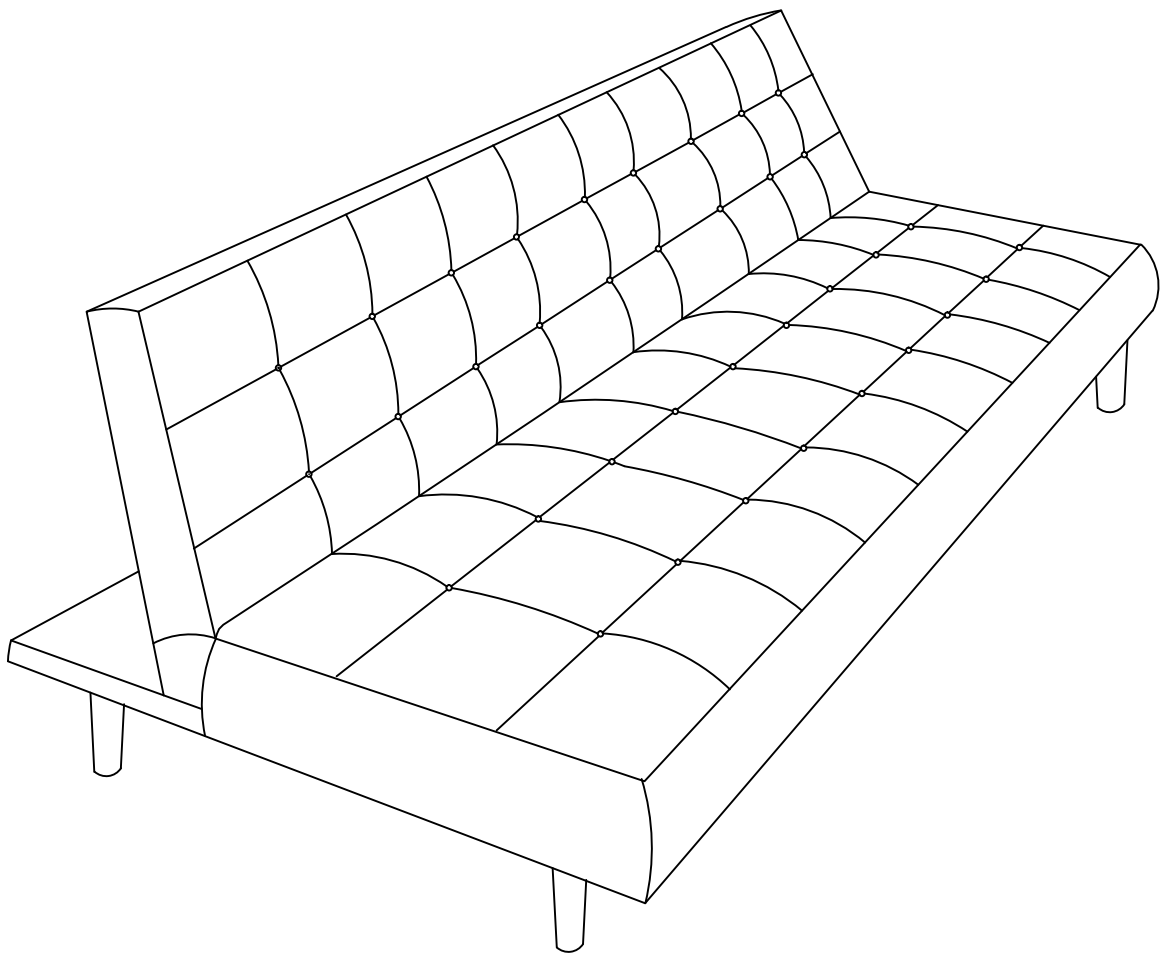


# Disco Futon

Assembly Instructions - Please keep for future reference

333/8188



## Dimensions

Depth -178cm  
Width - 88cm  
Height -75cm

**Important - Please read these instructions fully before starting assembly**

If you need help or have damaged or missing parts, call the **Customer Helpline: 0345 6400 800**



## Safety and Care Advice

**Important - Please read these instructions fully before starting assembly**

Check you have all the components and tools listed on pages 2.

Remove all fittings from the plastic bags and separate them into their groups.

Keep children and animals away from the work area, small parts could choke if swallowed.

Make sure you have enough space to layout the parts before starting.

Assemble the item as close to its final position (in the same room) as possible.

Assemble on a soft level surface to avoid damaging the unit or your floor.

Assembly requires 2 people.

Do not fully tighten bolts until the whole bed is assembled. Do not overtighten the nuts to avoid causing damage to the threads.



We do not recommend the use of power drill/drivers **for inserting screws**, as this could damage the unit. Only use hand screwdrivers and Allen keys.

Dispose of all packaging carefully and responsibly.

## Cleaning Guidance

Minor stains and spillages should be removed immediately from cushion fabric, by wiping over lightly with a damp cloth and mild soapy water.

Light marking can also be removed using this method.

To remove more stubborn stains or marking, a good quality proprietary domestic fabric cleaner can be used, although it should first be tested on an inconspicuous area of the fabric.

## Care and maintenance

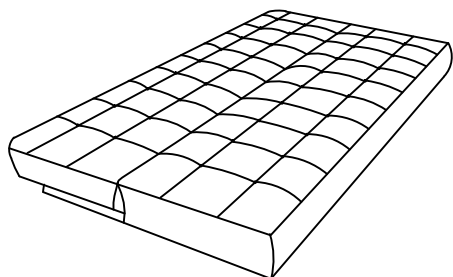
From time to time check that there are no loose screws on this unit.

This product should not be discarded with household waste. Take to your local authority waste disposal centre.

# Components - Parts

If you have damaged or missing components.  
call the **Customer Helpline:** 0345 6400 800

Please check you have all the parts listed below



**1** Futon mattress  
(98.5 x 180 x 37cm)



**2** Wood Leg x 4  
(20 x 7cm)

# Assembly Instructions

## Step 1

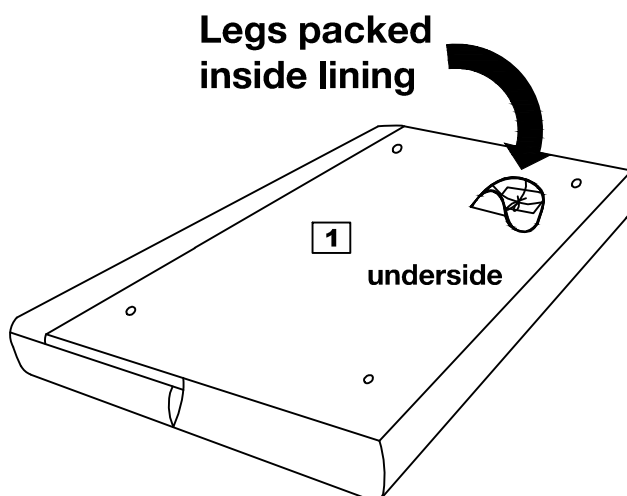
### Locating legs

Carefully place futon mattress **1** upside down onto a clean flat surface.

**⚠ Warning:** The mattress is heavy. Lift with care.

Unzip the fabric lining on the underside, to locate a separate package containing the legs **2**.

**⚠ Warning:** Ensure the lining is zipped closed afterwards to prevent access to the folding mechanism inside.

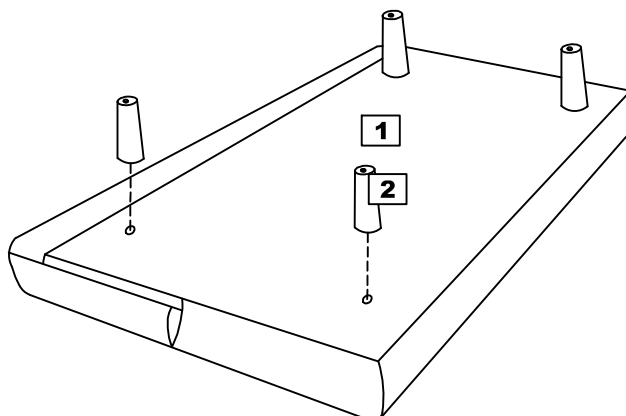


Shown upside down

## Step 2

### Attaching feet

Screw wooden legs **2** into the holes in each corner of futon mattress **1**.



# Assembly Instructions

## Step 3

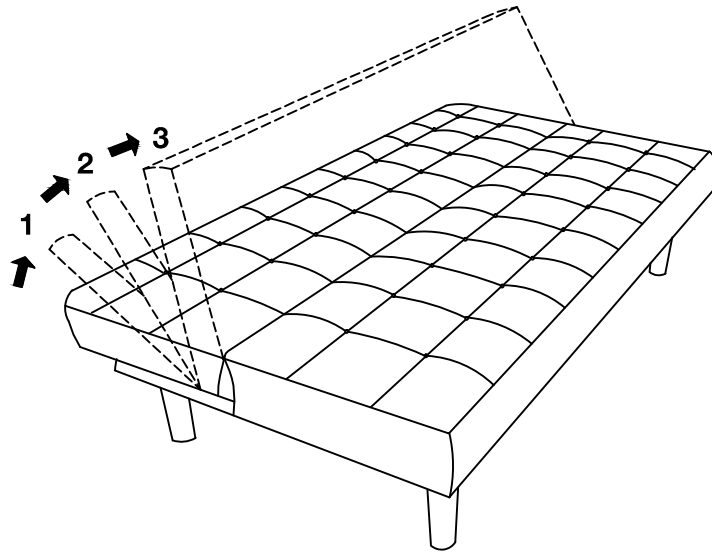
### Seating position

Carefully turn the assembled futon over to the upright position.

**⚠ Warning:** The mattress is heavy. Lift with care.

Also be aware that the mattress may start to fold during turning over.

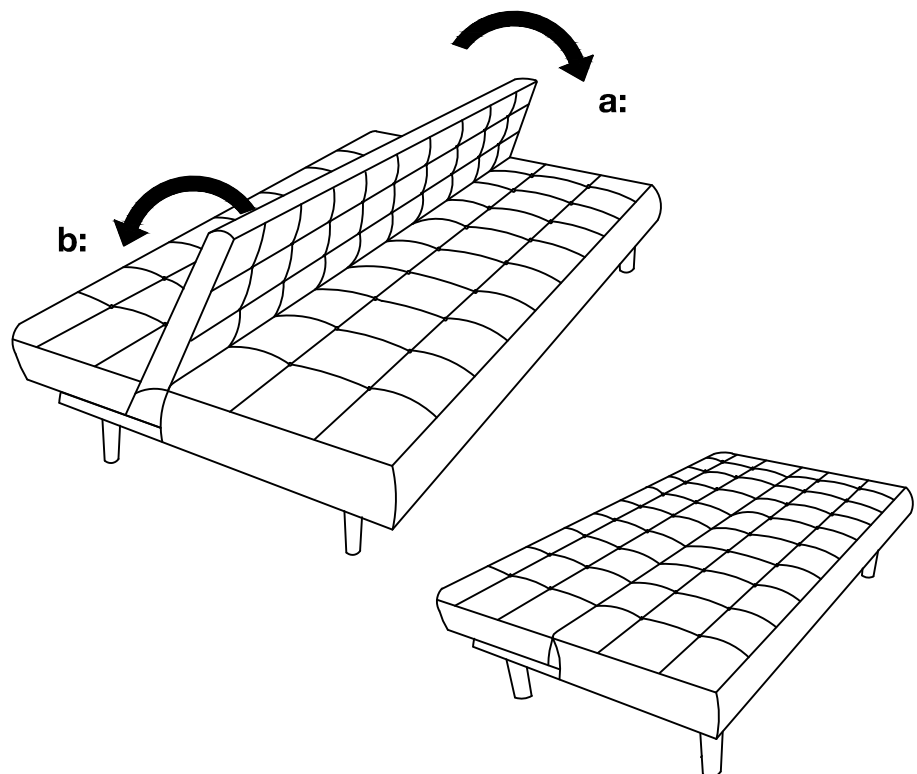
To raise the futon mattress to the seating position, raise the backrest to the desired angle/ height.



## Step 4

### Folding flat

To lower the futon for sleeping: **a:** Raise the back rest as far forward as it will go, then: **b:** Fold back to the flat position.



**Assembly is complete.**

If you need help or have damaged or missing parts, call the **Customer Helpline: 0345 6400 800** Home Retail Group, 489-499 Avebury Boulevard, Saxon Gate West, Central Milton Keynes, MK9 2NW