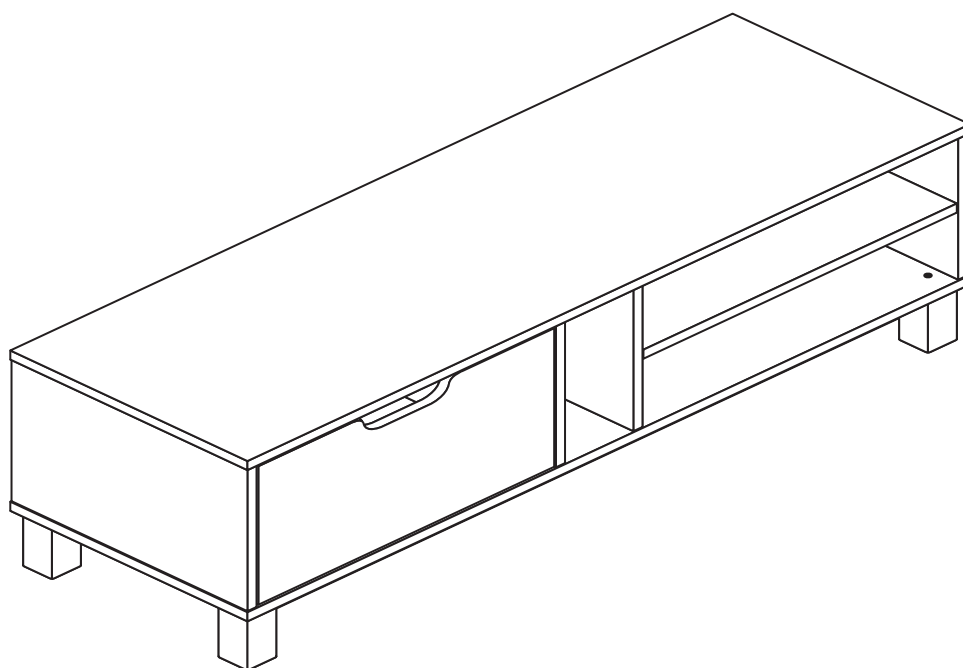


Retro Pedestal - TV Unit

Assembly Instructions - Please keep for future reference

332/5476



Dimensions

Width - 119.5cm

Depth - 39.5cm

Height - 35.5cm



**MADE IN
BRITAIN**

Important - Please read these instructions fully before starting assembly

If you need help or have damaged or missing parts, call the **Customer Helpline: 08456 400800**



Safety and Care Advice

Important - Please read these instructions fully before starting assembly

- **Warning:** This unit weighs approximately 20kgs. Please lift with care.

- Check you have all the components and tools listed on pages 2 and 3.

- Remove all fittings from the plastic bags and separate them into their groups.

- Keep children and animals away from the work area, small parts could choke if swallowed.

- Parts of the assembly will be easier with 2 people.

- Make sure you have enough space to layout the parts before starting.

- Do not stand or put weight on the product, this could cause damage.

- Assemble the item as close to its final position (in the same room) as possible.

- Assemble on a soft level surface to avoid damaging the unit or your floor (use opened out unit carton).



- We do not recommend the use of power drill/drivers **for inserting screws**, as this could damage the unit. Only use hand screwdrivers.

- **Safety note:** If there is any chance of this unit being pulled over by children etc. it is recommended that the unit is secured to a wall using suitable fixings (not supplied).

- Dispose of all packaging carefully and responsibly.

Care and maintenance

- Only clean using a damp cloth and mild detergent, do not use bleach or abrasive cleaners.

- From time to time check that there are no loose screws on this unit.

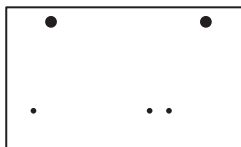
- This product should not be discarded with household waste. Take to your local authority waste disposal centre.

Note: If required the next page can be cut out and used as reference throughout the assembly. Keep this page with these instructions for future reference.

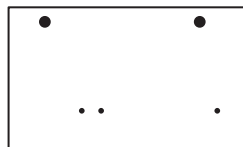
Components - Panels

If you have damaged or missing components, call the **Customer Helpline: 08456 400800** quoting the reference numbers below

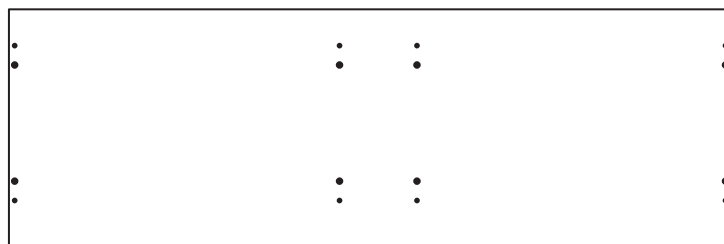
Please check you have all the panels listed below



1 Left Side (DF1089)
(235 x 390mm)



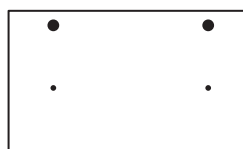
2 Left Divider (DF1090)
(235 x 390mm)



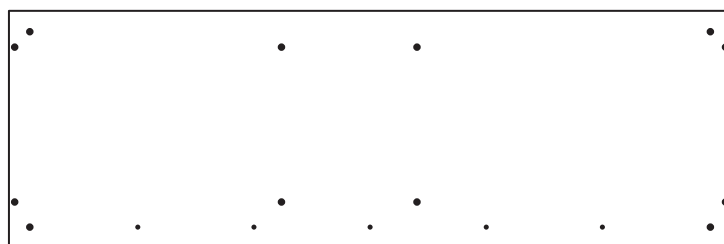
3 Top (DF1088)
(1194 x 392mm)



4 Right Side (DF1091)
(235 x 390mm)



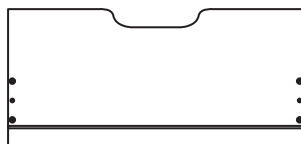
5 Right Divider (DF1880)
(235 x 390mm)



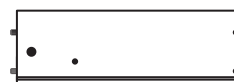
6 Base (DF1092)
(1194 x 392mm)



7 Shelf (DF1482)
(521 x 389mm)



8 Drawer Front (DF1094)
(489 x 229mm)



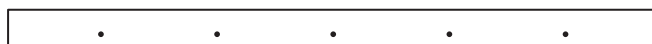
9 Left Drawer Side (W370-124LH)
(370 x 124mm)



10 Right Drawer Side (W370-124RH)
(370 x 124mm)



11 Drawer Back (W463-124)
(463 x 124mm)



13 Rail (DF1095)
(1075 x 60mm)



12 Drawer Base (T474-367)
(474 x 367mm)



14 Back (X1186-261)
(1113 x 261mm)

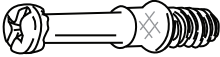



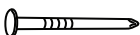








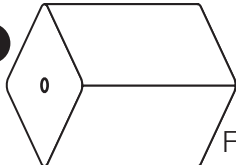



Components - Fittings

If you have damaged or missing components, call the **Customer Helpline: 08456 400800** quoting the reference numbers below

Please check you have all the fittings listed below

Note: The quantities below are the correct amount to complete the assembly. In some cases more fittings may be supplied than are required.

<p>A </p> <p>Metal dowel (F901) x 10</p>	<p>B </p> <p>Small locking nut (F3) x 2</p>	<p>C </p> <p>Large locking nut (F900) x 8</p>
<p>D </p> <p>Wooden dowel (F22) x 8</p>	<p>E </p> <p>Nail (F51) x 20</p>	<p>F </p> <p>Knock-in Peg (F171GY) x 4</p>
<p>G </p> <p>50mm Screw (F49) x 12</p>	<p>H </p> <p>25mm Screw (F281) x 5</p>	<p>I </p> <p>9mm Screw (F73) x 4</p>
<p>J </p> <p>9mm Screw (F74) x 2</p>	<p>K </p> <p>Shelf stud (F110) x 4</p>	<p>L </p> <p>Wedgefix (F639) x 4</p>
<p>M </p> <p>Allen Key (F36) x 1</p>	<p>N </p> <p>Foot (D3084) x 4</p>	
<p>O </p> <p>Drawer runner (F1004) x 2</p>		

Tools required

Rule

Cross-head
screwdriver

Scissors

Hammer

Eye protection
(when using a
hammer or drill)

Electric drill
(do not use for
fitting screws)

Ruler - Use this ruler to help correctly identify the screws



Assembly Instructions

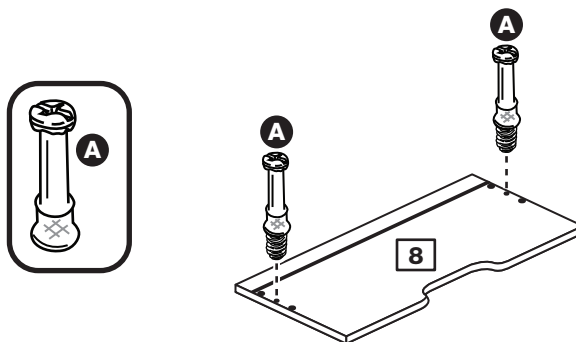
If you have damaged or missing components, call the
Customer Helpline: 08456 400800 quoting the reference
numbers below

Step 1

Prepare the drawer front

Screw 2 metal dowels **A** into the drawer front **8**.

Note: Tighten the metal dowels up fully against the panels.

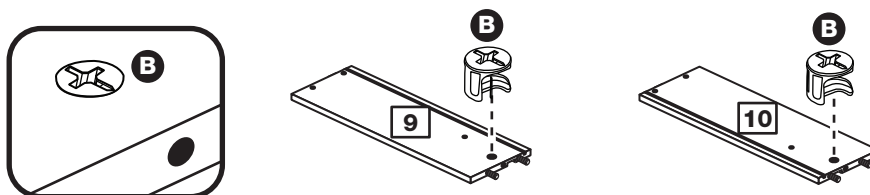


Step 2

Prepare the drawer sides

Insert a small locking nut **B** into the hole shown on the left drawer side **9** and the right drawer side **10**.

Note: The arrow on the locking nut **must** point towards the hole in the edge of the panel.



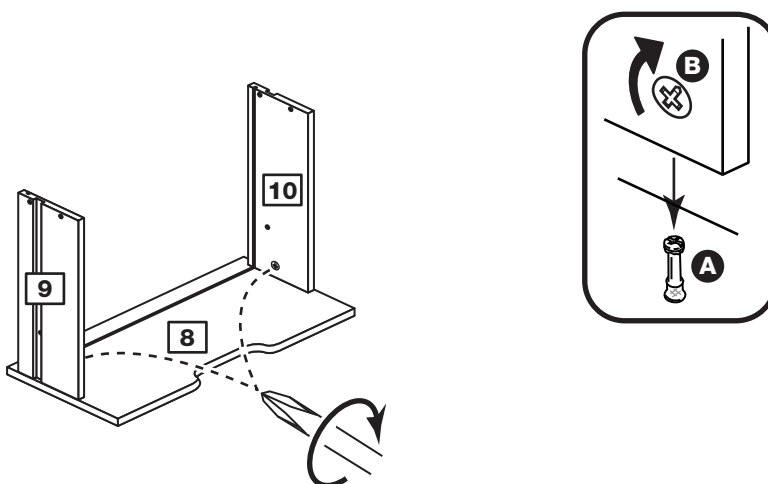
Step 3

Attach the drawer sides to the drawer front

Push the left drawer sides **9** and right drawer sides **10** onto the back of the drawer fronts **8**.

Turn the small locking nuts **B** on the left drawer side **9** and right drawer side **10**.

Note: Turn the locking nuts **B** clockwise to secure panels - more than 1/2 a turn.

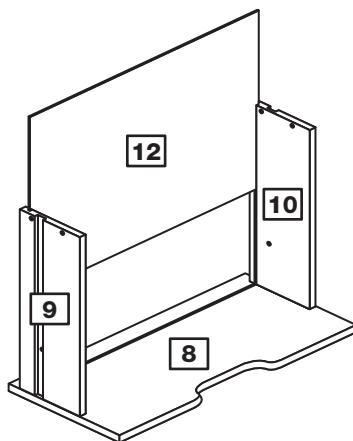


Assembly Instructions

Step 4

Fit the drawer base

Slide the drawer base **12** down the grooves in the drawer sides **9** and **10** and down into the groove in the drawer front **8**.

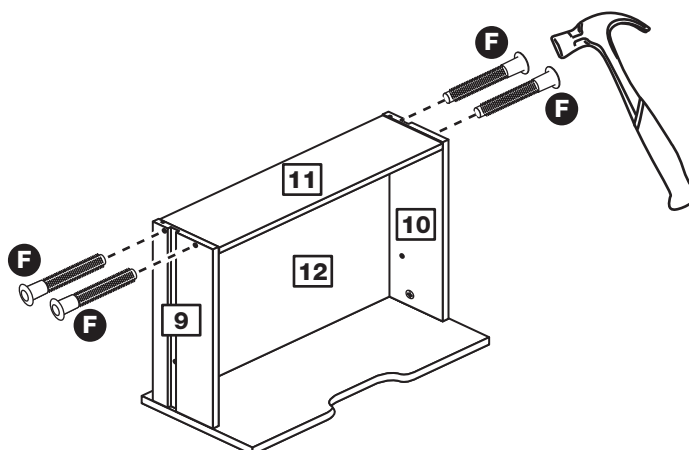


Step 5

Fit the drawer back

Fit the drawer back **11** between the drawer sides **9** and **10**. Make sure that the drawer base **12** fits into the groove in the drawer back **11**.

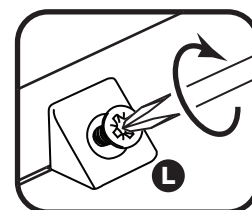
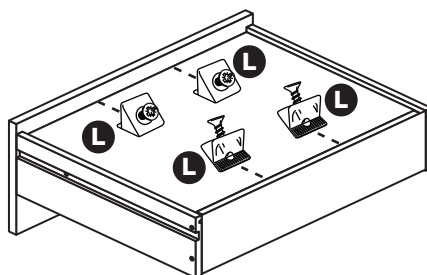
Hold the drawer back **11** in position and tap the knock-in pegs **F** through the holes in the drawer sides **9** and **10**.



Step 6

Fit the wedgifixes

Turn the drawer assembly over and slide 4 wedgifixes **L** into the front and back grooves, as shown, and tighten up the screws.



Assembly Instructions

Step 7

Prepare the left divider

a: Tap 2 wooden dowels **D** into the left divider **2**.

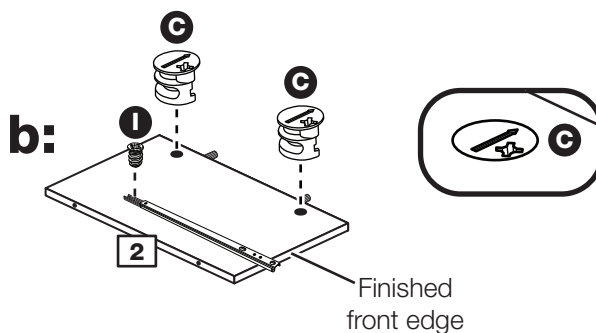
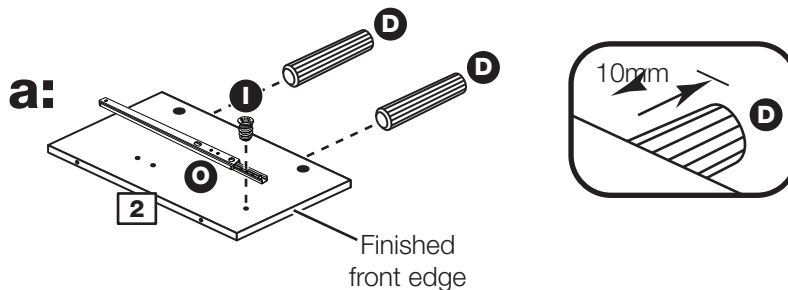
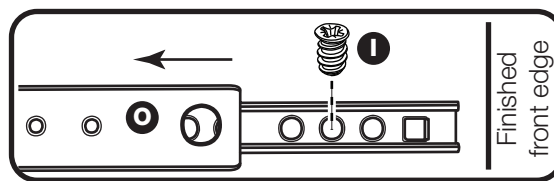
Note: Wooden dowels **must not** stick out from the edge by more than 10mm or they may damage other panels.

Place a runner **O** on the left divider **2** as shown. Slide back the top of runner and use the 2nd hole from the front to fit the 1st screw **I**.

b: Slide the runner **O** back the other way and fit the 2nd screw **I** into the corresponding hole in the left divider **2**.

Insert 2 large locking nuts **C** into the left divider **2**.

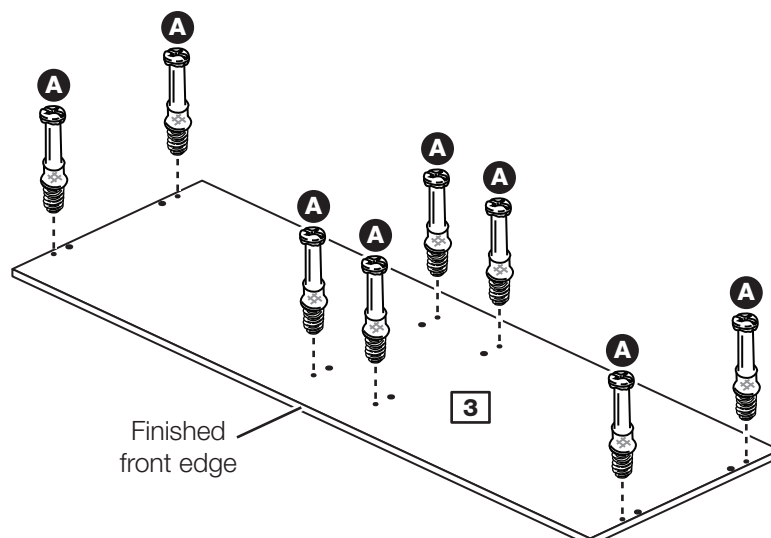
Note: The arrow on the locking nut **must** point towards the hole in the edge of the panel.



Step 8

Prepare the top

Screw 8 metal dowels **A** into the top **3**.



Assembly Instructions

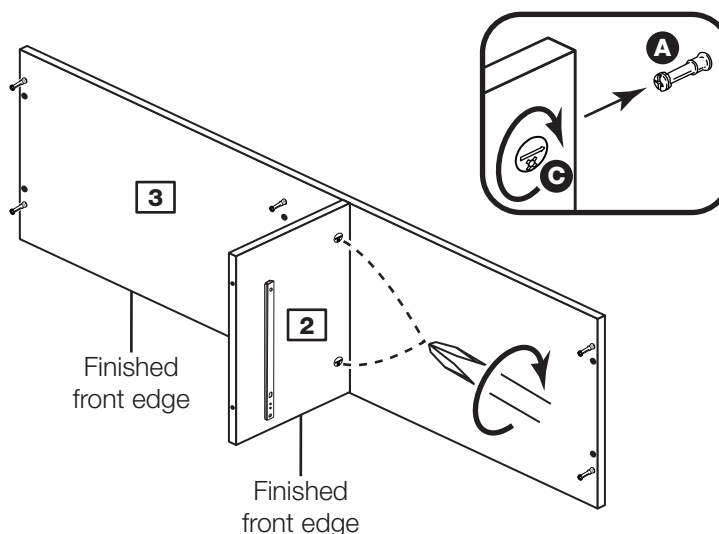
Step 9

Fit the left divider to the top

Push the left divider **2** onto the top **3**.

Use a screwdriver to tighten the 2 large locking nuts **C** fitted to the left divider **2**.

Note: Turn the large locking nuts **C** as far as they will go - more than 1/2 a turn.



Step 10

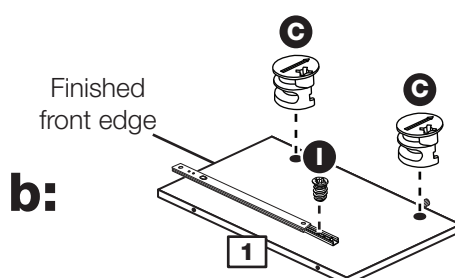
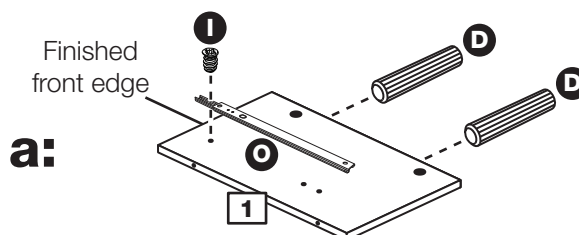
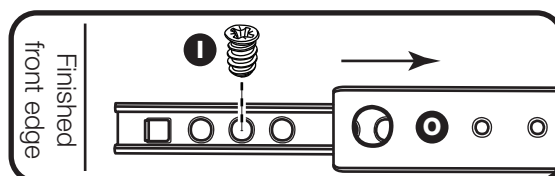
Prepare the left side

a: Tap 2 wooden dowels **D** into the left side **1**.

Place a runner **O** on the left side **1** as shown. Slide back the top of runner and use the 2nd hole from the front to fit the 1st screw **I**.

b: Slide the runner **O** back the other way and fit the 2nd screw **I** into the corresponding hole in the left side **1**.

Insert 2 large locking nuts **C** into the left side **1**.



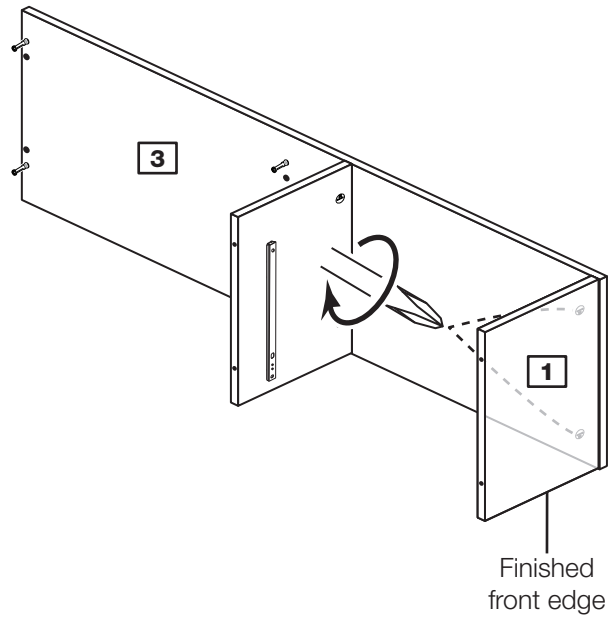
Assembly Instructions

Step 11

Fit the left side

Push the left side **1** onto the top **3**.

Use a screwdriver to tighten the 2 large locking nuts **C** fitted to the left side **1**.

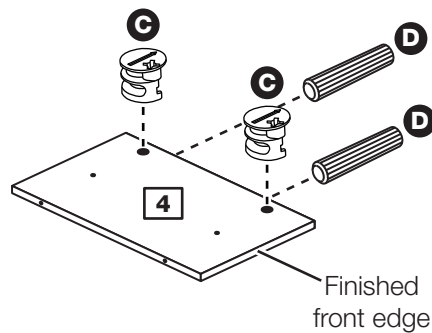


Step 12

Prepare the right side

Tap 2 wooden dowels **D** into the right side **4**.

Insert 2 large locking nuts **C** into the right side **4**.

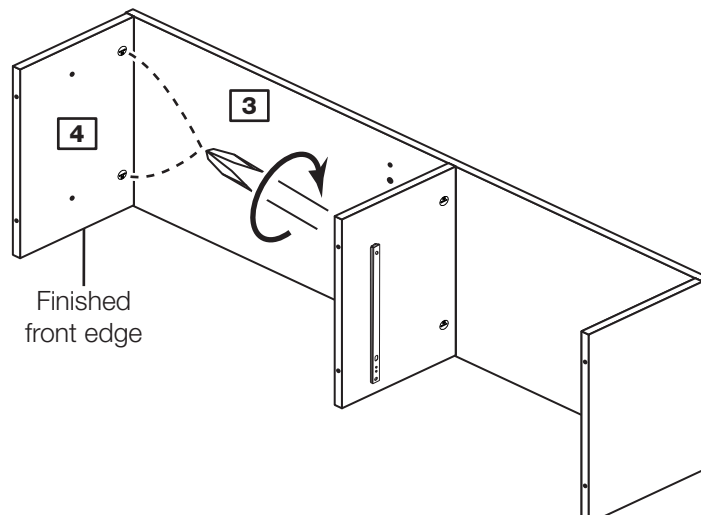


Step 13

Fit the right side

Push the right side **4** onto the top **3**.

Use a screwdriver to tighten the 2 large locking nuts **C** fitted to the right side **4**.



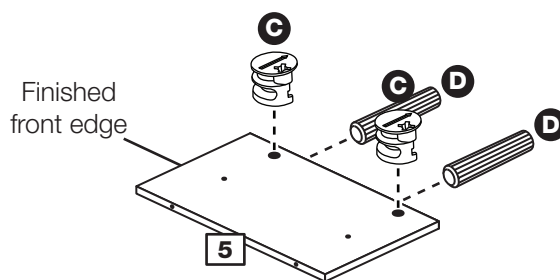
Assembly Instructions

Step 14

Prepare the right divider

Tap 2 wooden dowels **D** into the right divider **5**.

Insert 2 large locking nuts **C** into the right divider **5**.

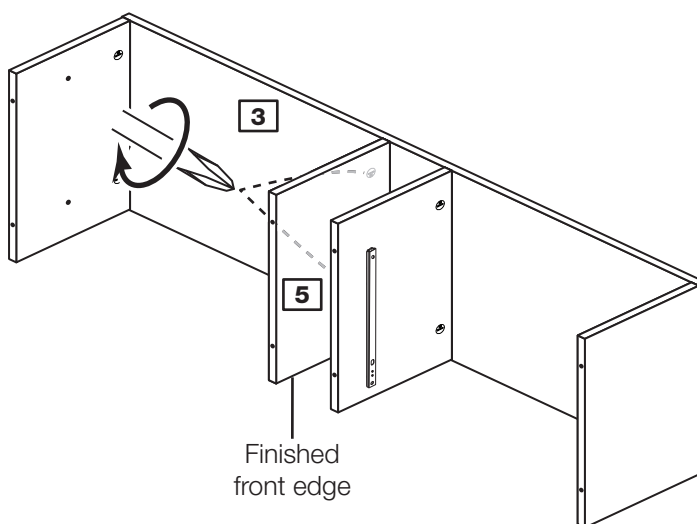


Step 15

Fit the right divider

Push the right divider **5** onto the top **3**.

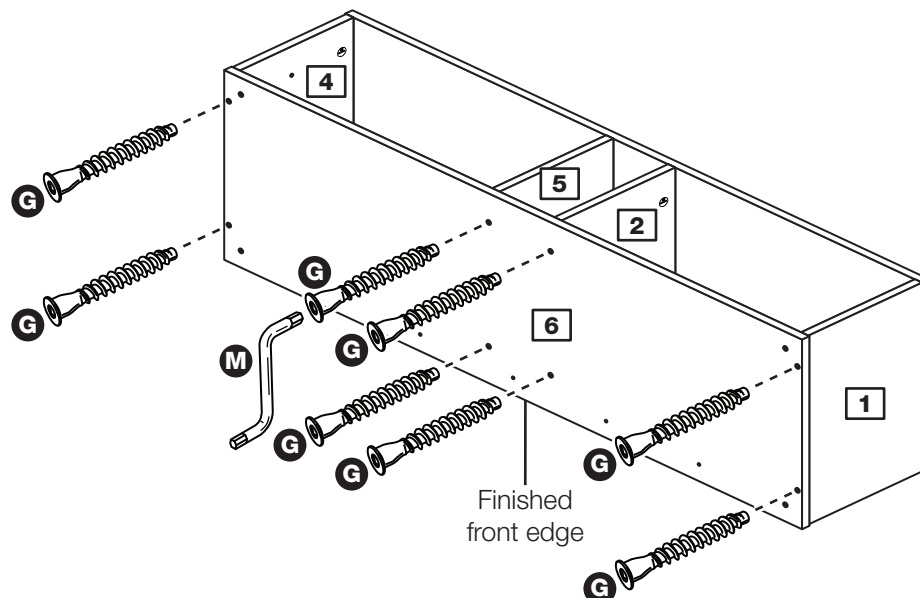
Use a screwdriver to tighten the 2 large locking nuts **C** fitted to the right divider **5**.



Step 16

Fit the base

Attach the base **6** to the left side **1**, the left divider **2**, the right side **4** and the right divider **5** using 8 screws **G** and tighten them using the allen key **M**.



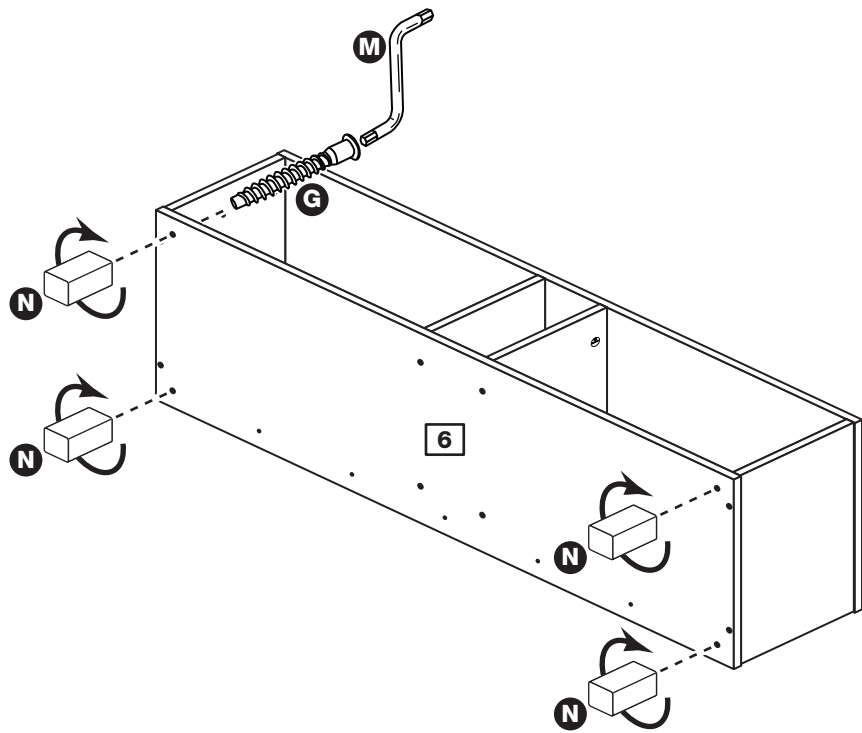
Assembly Instructions

Step 17

Fit the feet

Fit the 4 feet **N** to the base **6** using screws **G** and tighten them using the allen key **M**.

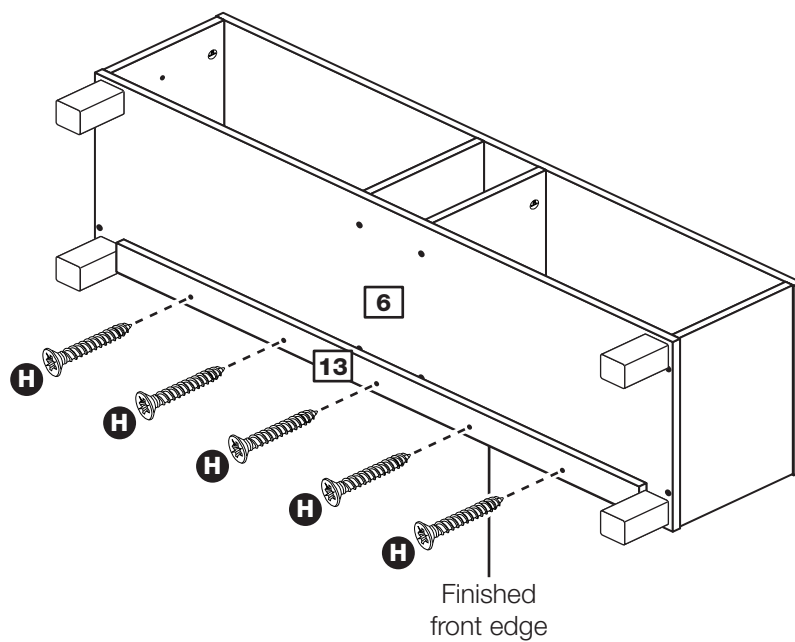
Note: You may find it easier to turn the foot as the screw is held with the allen key.



Step 18

Fit the rail

Attach the rail **13** to the base **6** using 5 screws **H**.



Assembly Instructions

Step 19

Fit the back

a: Square up the unit by making sure that measurement **x to x** equals **y to y**.

b: Place the back **14** onto the unit.

Nail **E** around the 3 outside edges of the back **14**, as shown

Note: Nails should be spaced about 150mm apart.

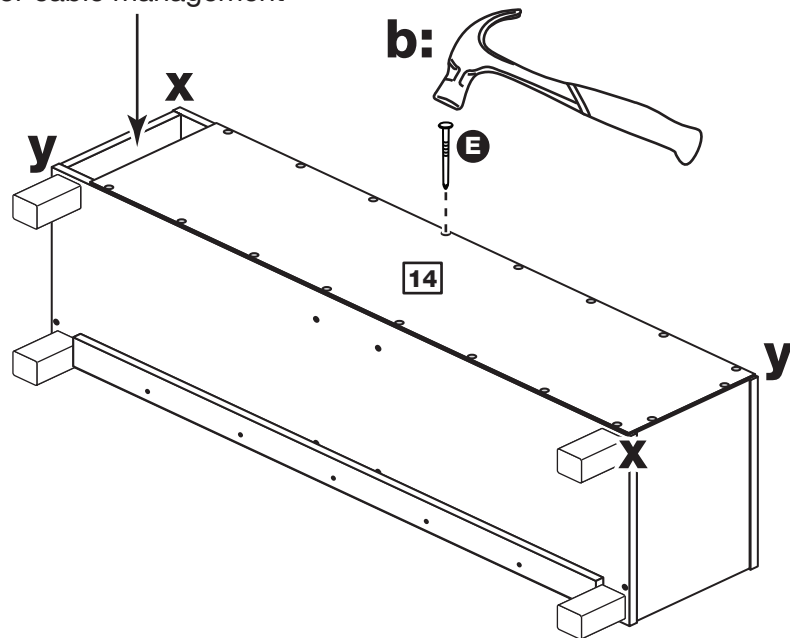
Stand the unit up for the next step.



Warning: The unit is heavy. Lift with care.

a: The measurement from top corner X to bottom corner X must be equal to the measurement from top corner Y to bottom corner Y

The gap at this end is for cable management



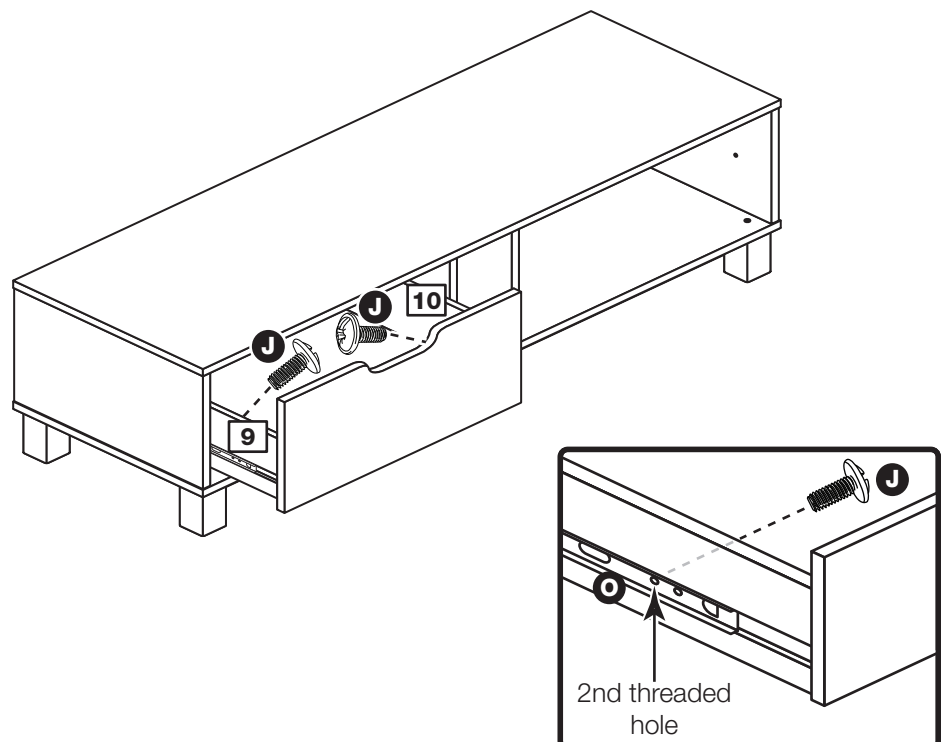
Step 20

Fit the drawer

Slide both the runners **O** forward and locate the drawer sides **9** and **10** between them, lining up the holes in the drawer wrap with the 2nd 'threaded' holes in the runners **O**.

Working from the inside of the drawer, insert 2 screws **J** through the drawer sides and out into the 2nd threaded hole in the runner.

Note: Do not overtighten the screws **J**. If they catch on the runner you may need to loosen them slightly.

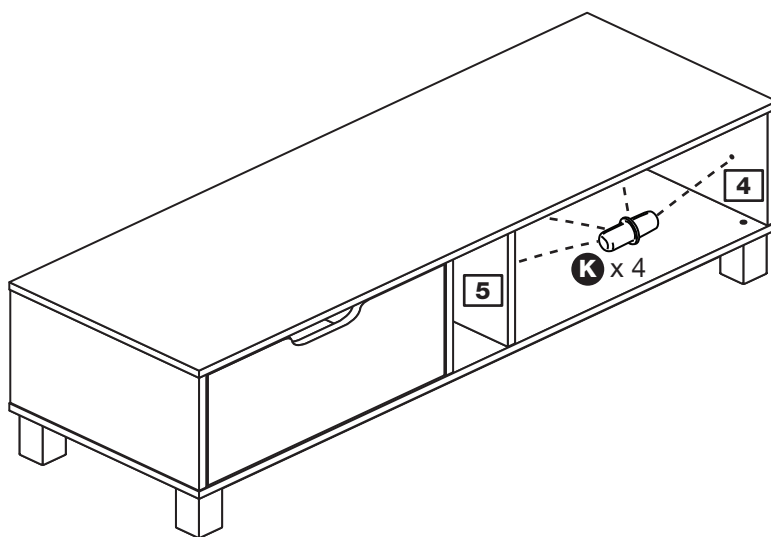


Assembly Instructions

Step 21

Fit the shelf studs

Insert 4 shelf studs **K**, into the holes on the right side **4** and right divider **5**.

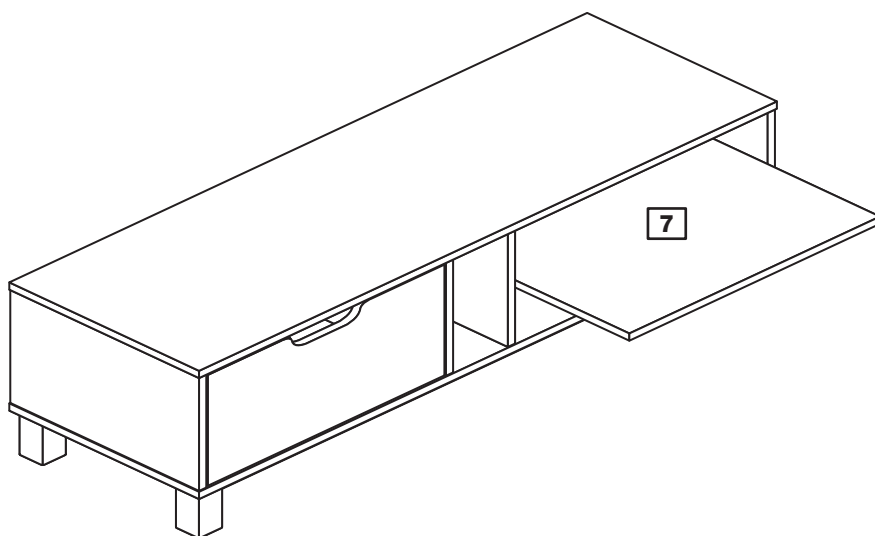


Step 22

Fit the shelf

Lower the shelf **7** down onto the shelf studs **K**.

Assembly is complete



If you need help or have damaged or missing parts, call the Customer Helpline: 08456 400800 and quote the reference numbers on the component pages.

Argos Ltd, 489-499 Avebury Boulevard, Central Milton Keynes, MK9 2NW

