

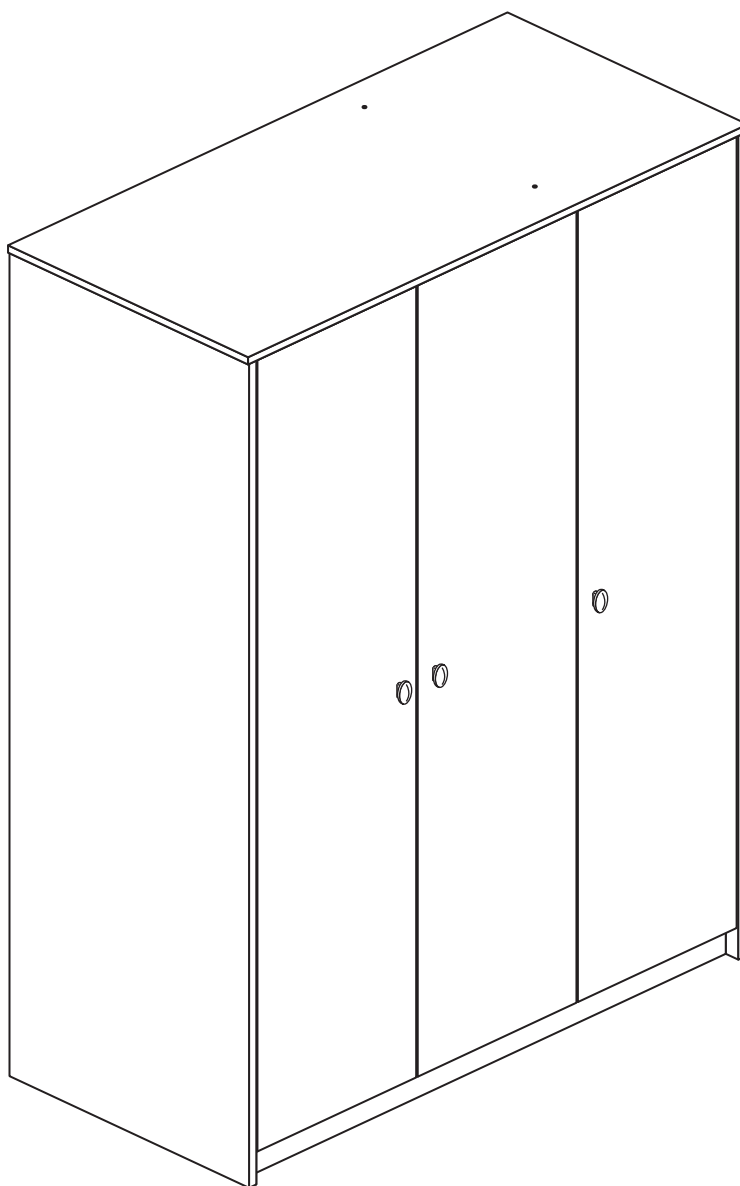
Newport - 3 Door Robe

Assembly Instructions - Please keep for future reference

339/6199

331/9152

395/8496



Dimensions

Width - 103.5cm

Depth - 50cm

Height - 172cm



**MADE IN
BRITAIN**

Important - Please read these instructions fully before starting assembly

If you need help or have damaged or missing parts, call the **Customer Helpline: 03456 400800**



Safety and Care Advice

Important - Please read these instructions fully before starting assembly

- **Warning:** This unit weighs approximately 58kgs. Please lift with care.
- Check you have all the components and tools listed on pages 2 and 3.
- Remove all fittings from the plastic bags and separate them into their groups.
- Keep children and animals away from the work area, small parts could choke if swallowed.
- Parts of the assembly will be easier with 2 people.

- Make sure you have enough space to layout the parts before starting.
- Do not stand or put weight on the product, this could cause damage.
- Assemble the item as close to its final position (in the same room) as possible.
- Assemble on a soft level surface to avoid damaging the unit or your floor (use opened out unit carton).



- We do not recommend the use of power drill/drivers **for inserting screws**, as this could damage the unit. Only use hand screwdrivers.


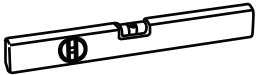

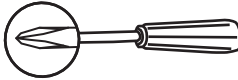

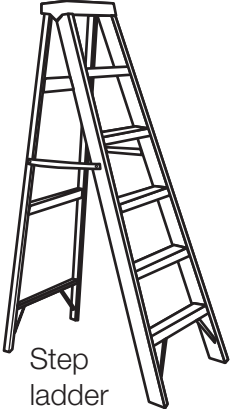



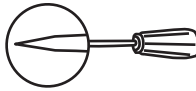
- **Safety note:** It is recommended that this unit is secured to a wall using the bracket supplied.

- Dispose of all packaging carefully and responsibly.

Care and maintenance

- Only clean using a damp cloth and mild detergent, do not use bleach or abrasive cleaners.
- From time to time check that there are no loose screws on this unit.
- This product should not be discarded with household waste. Take to your local authority waste disposal centre.

Tools required

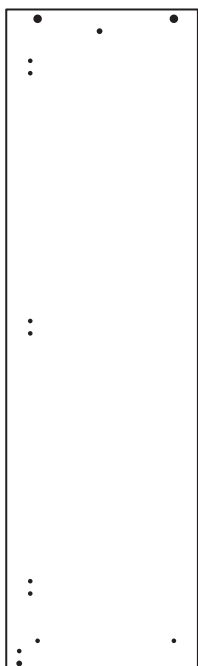
 Rule	 Spirit level	 Eye protection (when using a hammer or drill)	 Cross-head screwdriver	 Electric drill (only use when drilling into walls)	 Step ladder
 Square	 Scissors	 Hammer	 Bradawl		

Note: If required the next page can be cut out and used as reference throughout the assembly. Keep this page with these instructions for future reference.

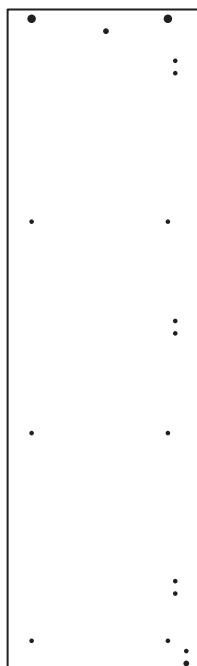
Components - Panels

If you have damaged or missing components, call the **Customer Helpline: 03456 400800** quoting the reference numbers below

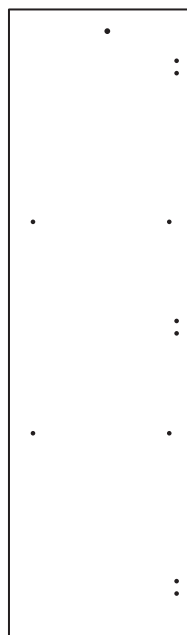
Please check you have all the panels listed below



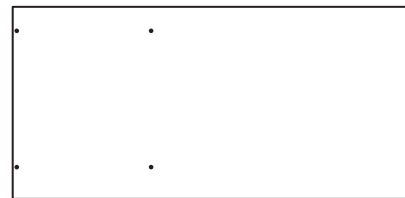
1 Left End (DF285)
(1703 x 495mm)



2 Right End (DF286B)
(1703 x 495mm)



3 Divider (DF525)
(1623 x 469mm)



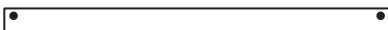
4 Top (DF520)
(1032 x 496mm)



5 Base (DF522)
(996 x 470mm)



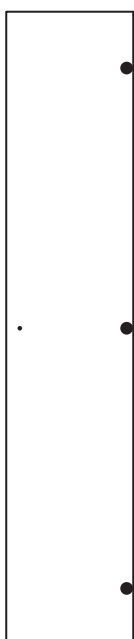
6 Shelf (DF526)
(332 x 468mm) x 2



7 Plinth (DF521)
(996 x 65mm)



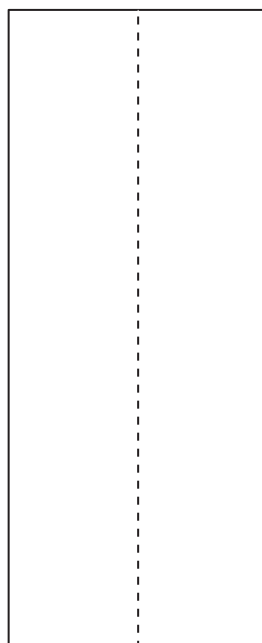
8 Hanging Rail (FHR657)
(657mm long)



9 Door (DF288B)
(1635 x 328mm) x 3



10 Small Back (X1650-351)
(1650 x 351mm)



11 Large Back (X1650-668)
(1650 x 668mm)

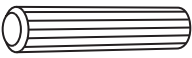
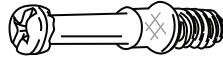


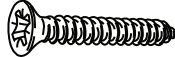

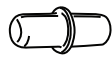

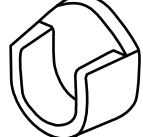
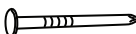



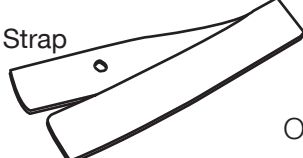




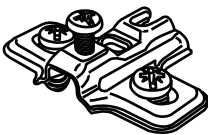



Components - Fittings

If you have damaged or missing components, call the **Customer Helpline: 03456 400800** quoting the reference numbers below

Please check you have all the fittings listed below

Note: The quantities below are the correct amount to complete the assembly. In some cases more fittings may be supplied than are required.

<p>A </p> <p>Wooden dowel (F22) x 2</p>	<p>B </p> <p>Metal dowel (F901) x 10</p>	<p>C </p> <p>Large locking nut (F900) x 10</p>
<p>D </p> <p>40mm Screw (F910) x 4</p>	<p>E </p> <p>25mm Screw (F50) x 3</p>	<p>F </p> <p>13mm Screw (F63) x 20</p>
<p>G </p> <p>Shelf stud (F110) x 8</p>	<p>H </p> <p>Plastic Nail (F91) x 4</p>	<p>I </p> <p>Rail holder (F1014) x 2</p>
<p>J </p> <p>Nail (F51) x 36</p>	<p>K </p> <p>Nail screw (F277) x 6</p>	<p>L </p> <p>Back holder (F276) x 6 *These can also be round</p>
<p>M </p> <p>Handle (F314) x 3</p>	<p>N   Screw  Washer x 2</p> <p>Overbalance protector kit (F269) x 1</p>	
<p>O </p> <p>Hinge plate (F523) x 6</p>	<p>P </p> <p>Hinge arm (F522) x 6</p>	<p>These hinge plates and arms are in the bag of 6 labelled AHP1546</p>
<p>Q </p> <p>Hinge plate (F523) x 3</p>	<p>R </p> <p>Hinge arm (F518) x 3</p>	<p>These hinge plates and arms are in the bag of 3 labelled AHP1043</p>

Ruler - Use this ruler to help correctly identify the screws



Assembly Instructions

If you have damaged or missing components, call the
Customer Helpline: 03456 400800 quoting the reference
numbers below

Step 1

Prepare the left side

Screw 3 metal dowels **B** into the left side **1**.

Note: Tighten the metal dowels up fully against the panels.

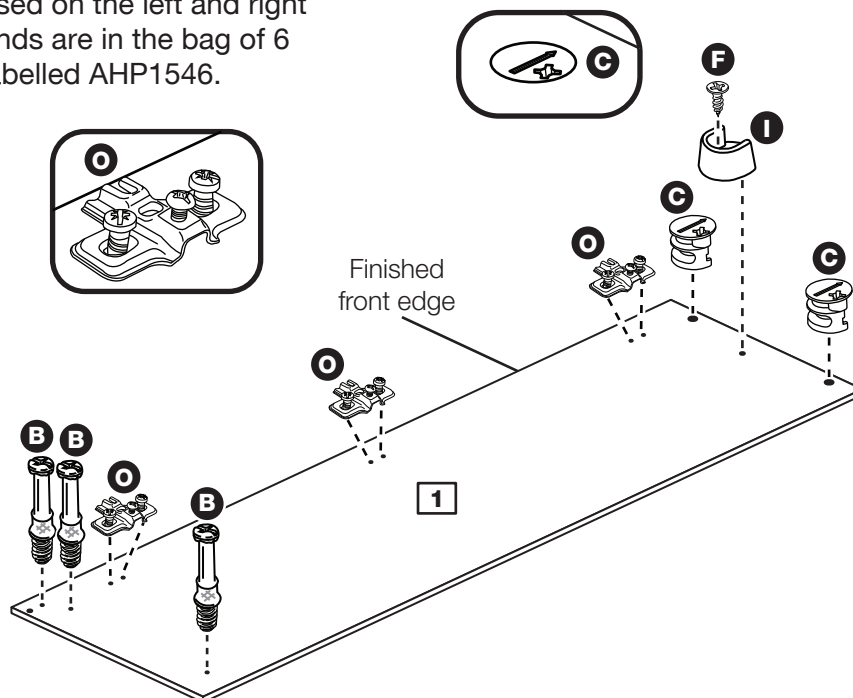
Insert 2 large locking nuts **C** into the left side **1**.

Note: The arrow on the locking nut **must** point towards the hole in the edge of the panel.

Fit 3 hinge plates **O** to the left side **1** making sure that the slot is facing towards the finished front edge.

Push a rail holder **I** into the left side **1**. Make sure that it is fitted straight, in line with the panel edges and then secure with screw **F**.

Note: The hinge plates used on the left and right ends are in the bag of 6 labelled AHP1546.



Step 2

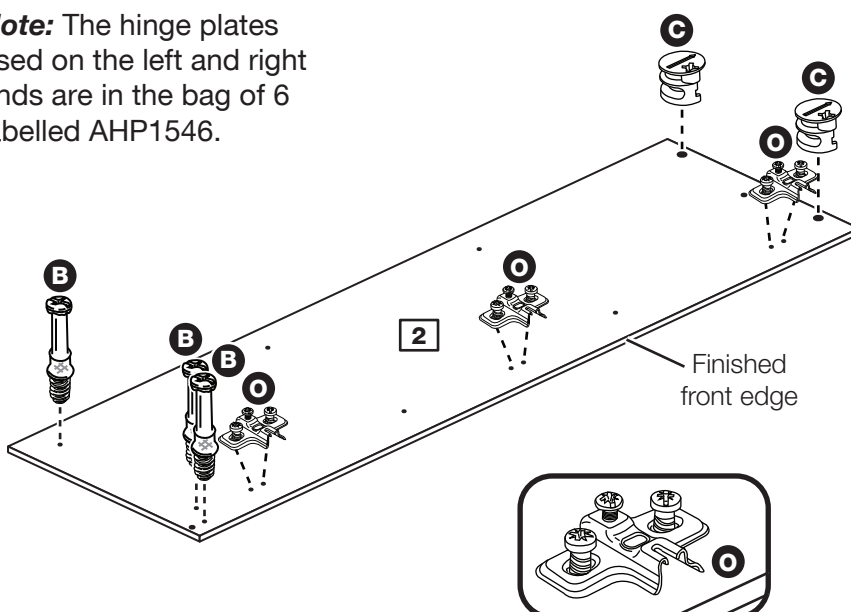
Prepare the right side

Screw 3 metal dowels **B** into the right side **2**.

Insert 2 large locking nuts **C** into the right side **2**.

Fit 3 hinge plates **O** to the right side **2** making sure that the slot is facing towards the finished front edge.

Note: The hinge plates used on the left and right ends are in the bag of 6 labelled AHP1546.

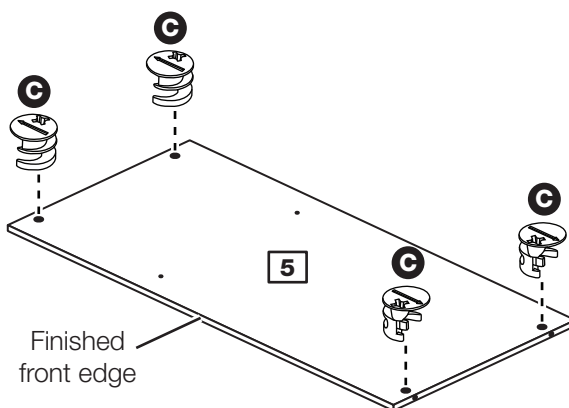


Assembly Instructions

Step 3

Prepare the base

Insert 4 large locking nuts **C** into the base **5**.



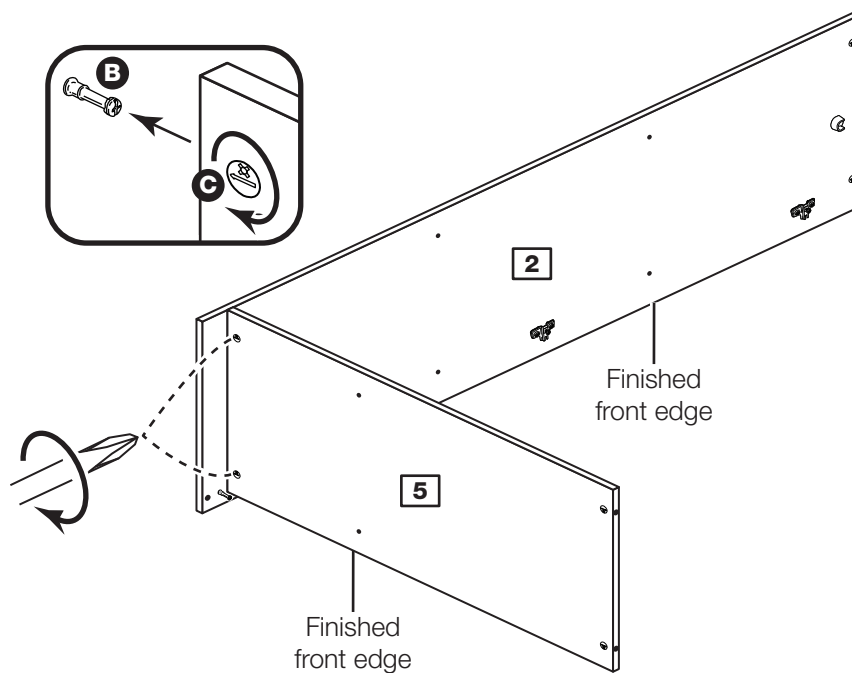
Step 4

Fit the base to the right side

Push the base **5** onto the right side **2**.

Use a screwdriver to tighten the 2 large locking nuts **C** fitted to the base **5**.

Note: Turn the large locking nuts **C** as far as they will go - more than 1/2 a turn.



Assembly Instructions

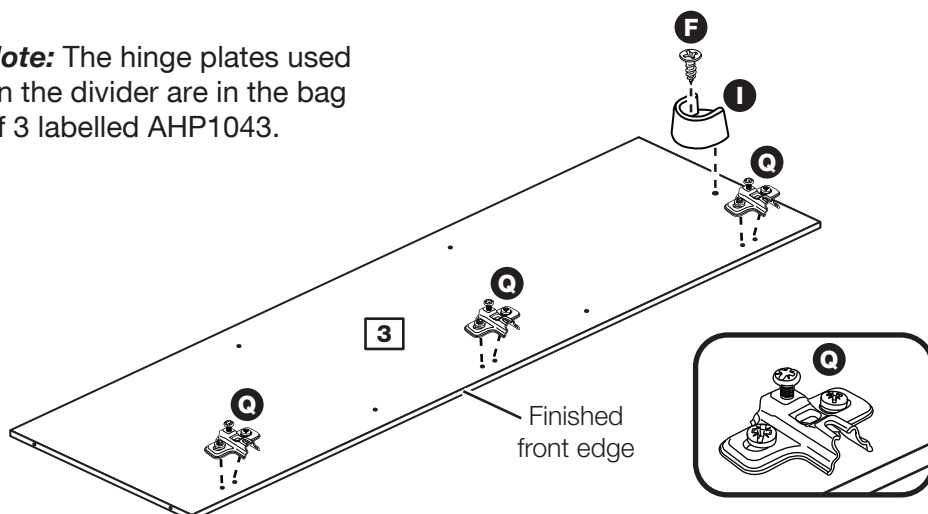
Step 5

Prepare the divider

Fit the 3 hinge plates **Q** to the divider **3** making sure that the slot is facing towards the finished front edge.

Push a rail holder **I** into the divider **3**. Make sure that it is fitted straight, in line with the panel edges and then secure with screw **F**.

Note: The hinge plates used on the divider are in the bag of 3 labelled AHP1043.

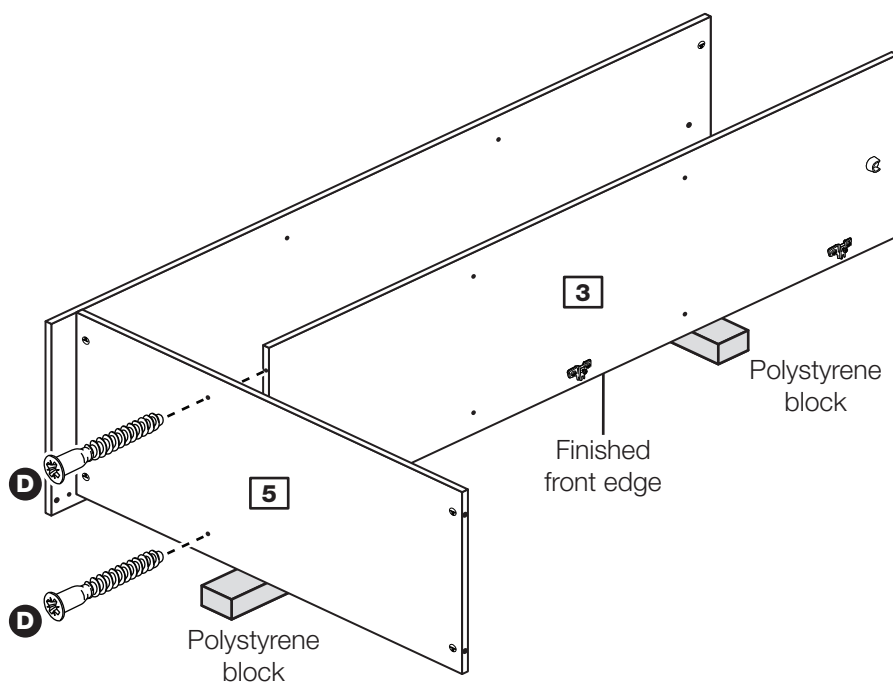


Step 6

Fit the divider to the base

Attach the divider **3** to the base **5** using 2 screws **D**.

Note: To make the assembly easier, place polystyrene blocks from the packaging underneath the divider and the base.



Assembly Instructions

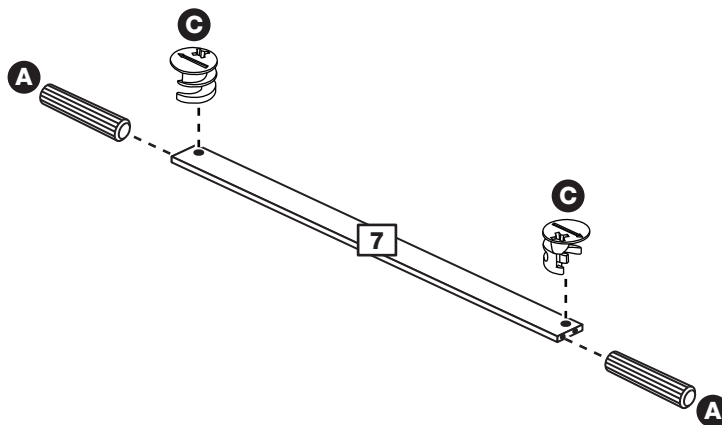
Step 7

Prepare the plinth

Tap 2 wooden dowels **A** into the plinth **7**.

Note: Wooden dowels **must not** stick out from the edge by more than 10mm or they may damage other panels.

Insert 2 large locking nuts **C** into the plinth **7**.

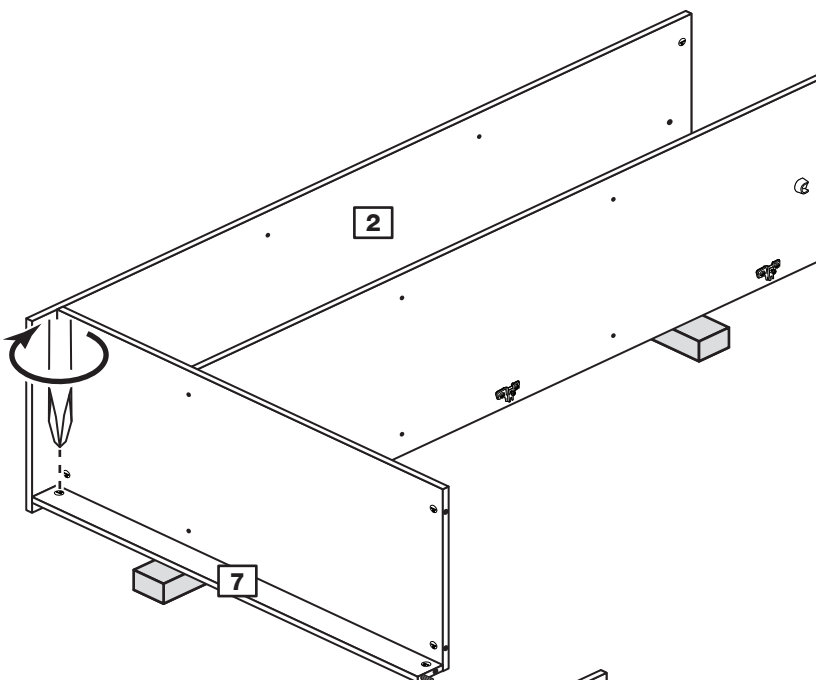


Step 8

Fit the plinth

Push the plinth **7** onto the right side **2**.

Use a screwdriver to tighten the large locking nut **C** fitted to the plinth **7**.

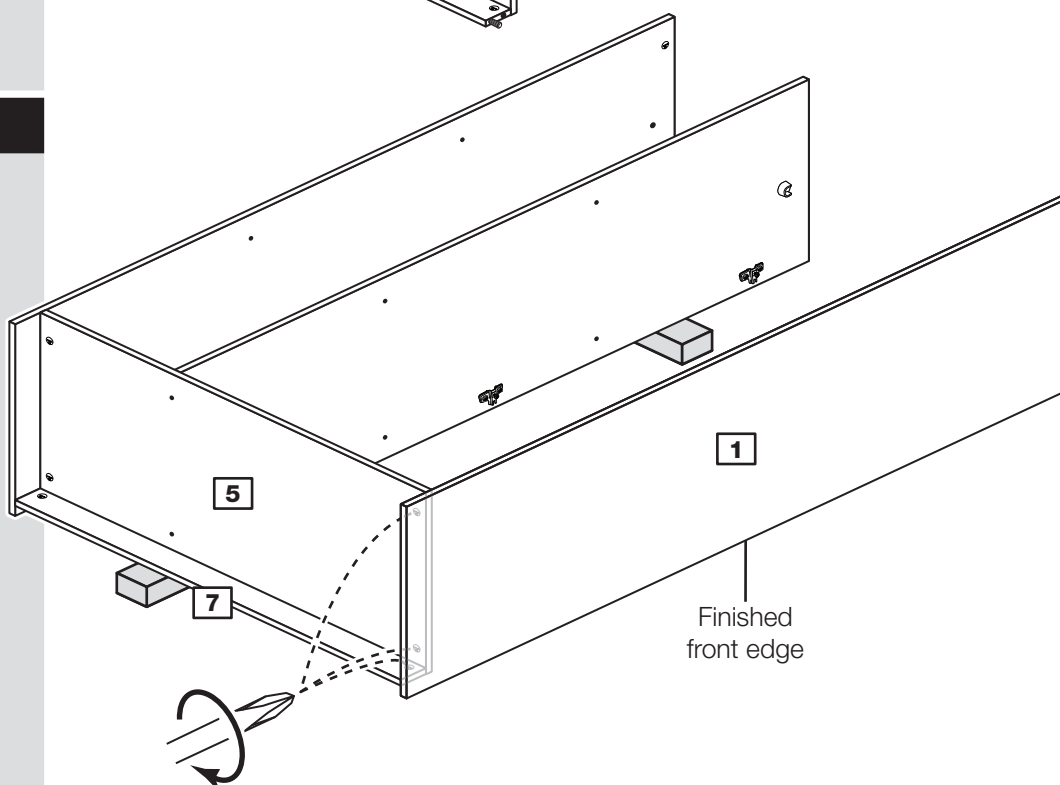


Step 9

Fit the left side

Push the left side **1** onto the assembly.

Use a screwdriver to tighten the 3 large locking nuts **C** fitted to the base **5** and plinth **7**.

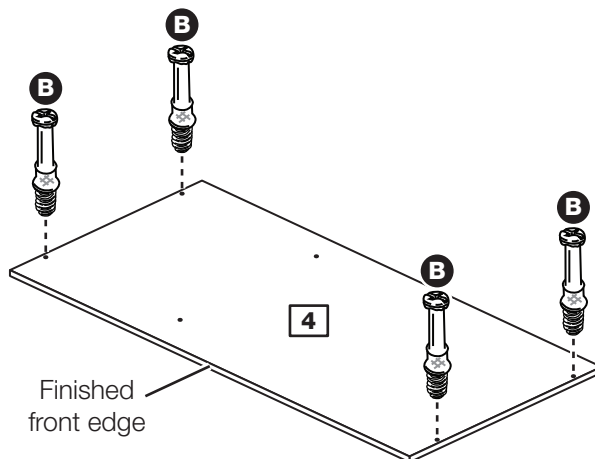


Assembly Instructions

Step 10

Prepare the top

Screw 4 metal dowels **B** into the top **4**.

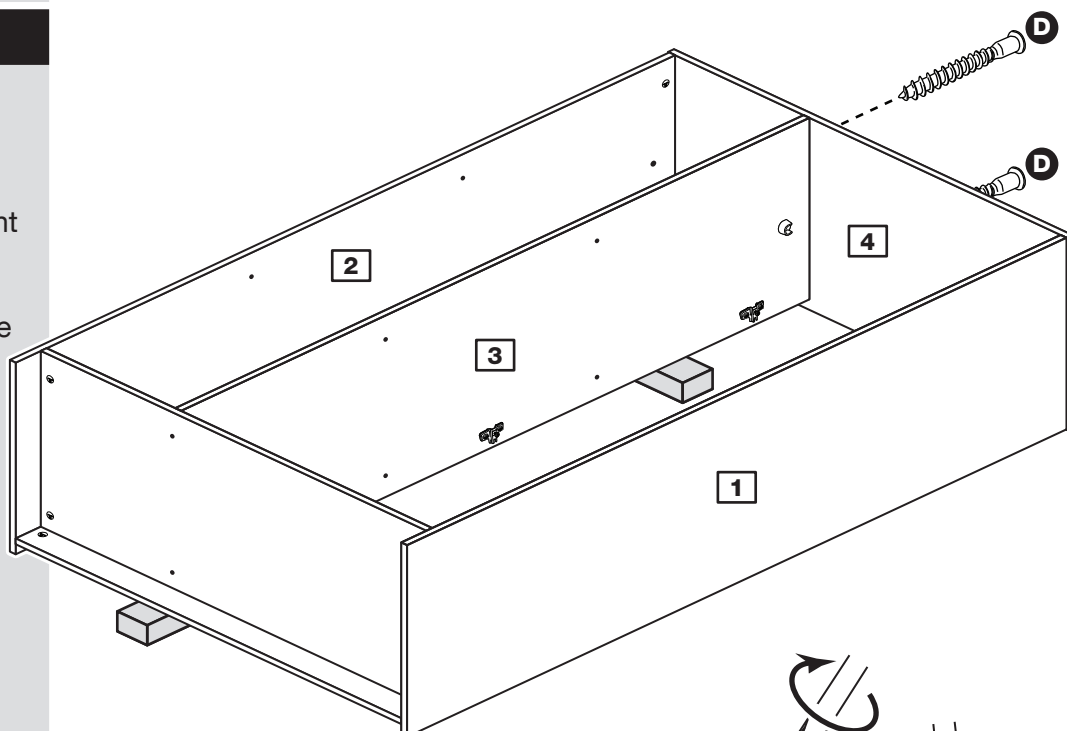


Step 11

Fit the top

Push the top **4** onto the left side **1** and right side **2**.

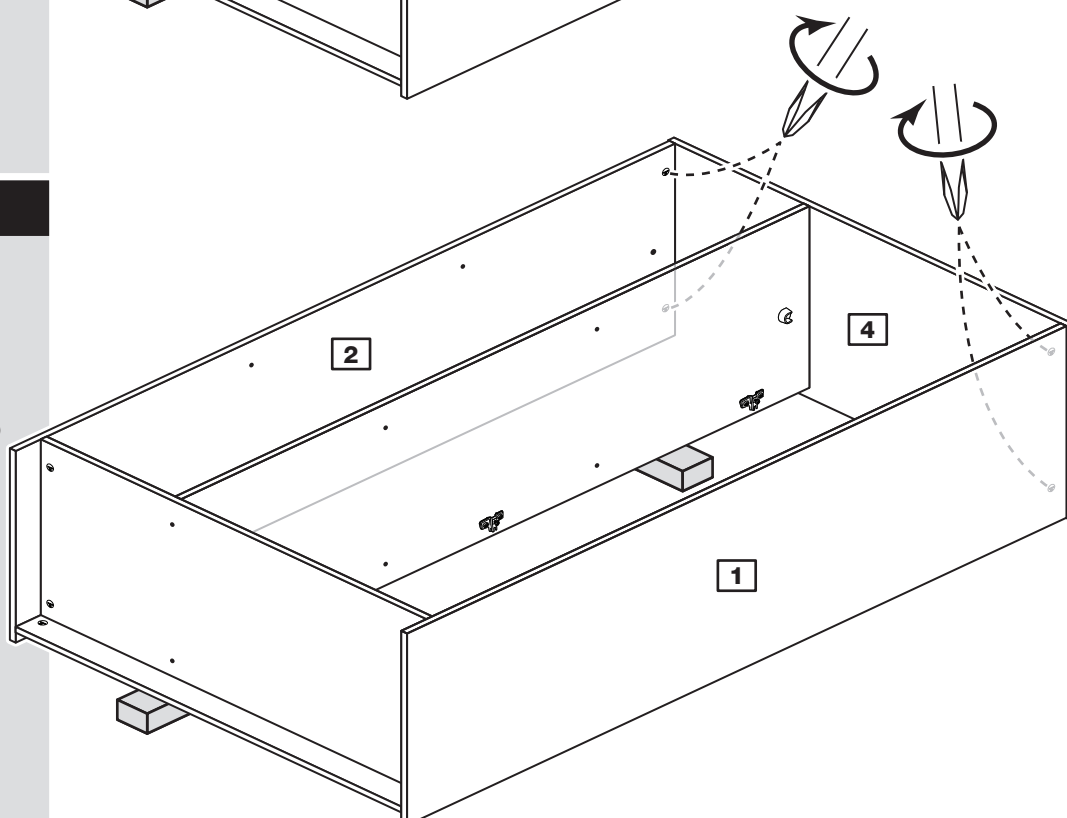
Attach the top **4** to the divider **3** using 2 screws **D**.



Step 12

Secure the top

Use a screwdriver to tighten the 4 large locking nuts **C** fitted to the left side **1** and right side **2**.



Assembly Instructions

Step 13

Fit the back panels

a: Square up the unit by making sure that measurement **x:x equals y:y**.

Place the small back **10** and large back **11** down, onto the unit as shown.

Make sure that the 2 backs are pushed up tight against each other and that they meet in the centre of the divider's back edge.

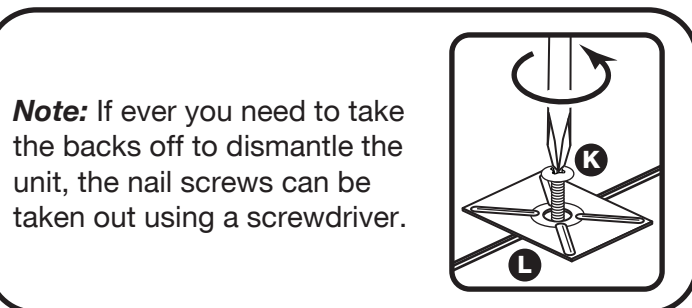
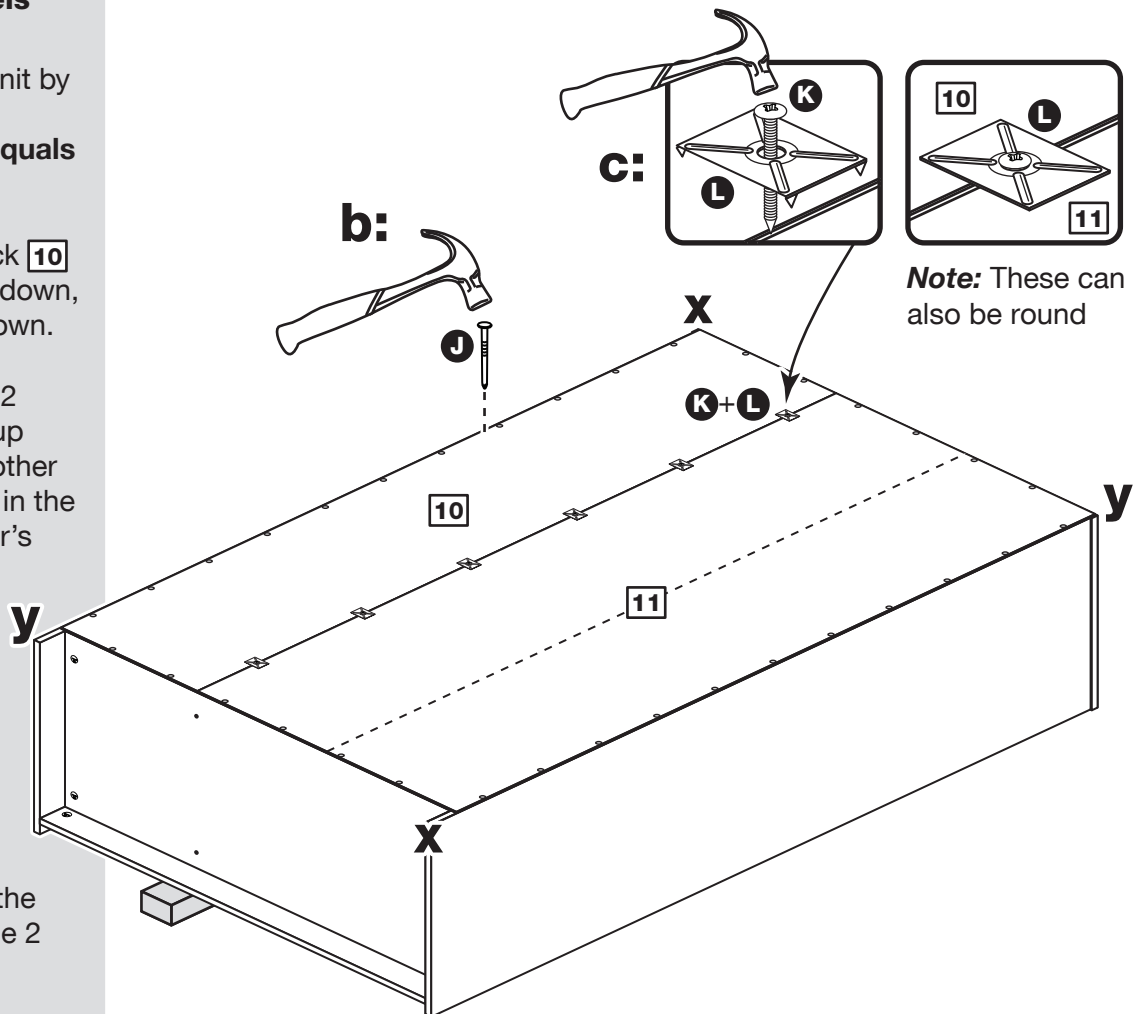
b: Nail **J** around the outside edges of the 2 backs.

Note: Do not nail where the 2 backs meet and nails should be spaced about 150mm apart.

c: Push the 6 nail screws **K** through the 6 back holders **L** and tap them down between the small back **10** and large back **11** and into the back edge of the divider **3**.

Keep tapping the nail screws **K** in until the back holders **L** dig into the small and large back.

a: The measurement from top corner X to bottom corner X must be equal to the measurement from top corner Y to bottom corner Y

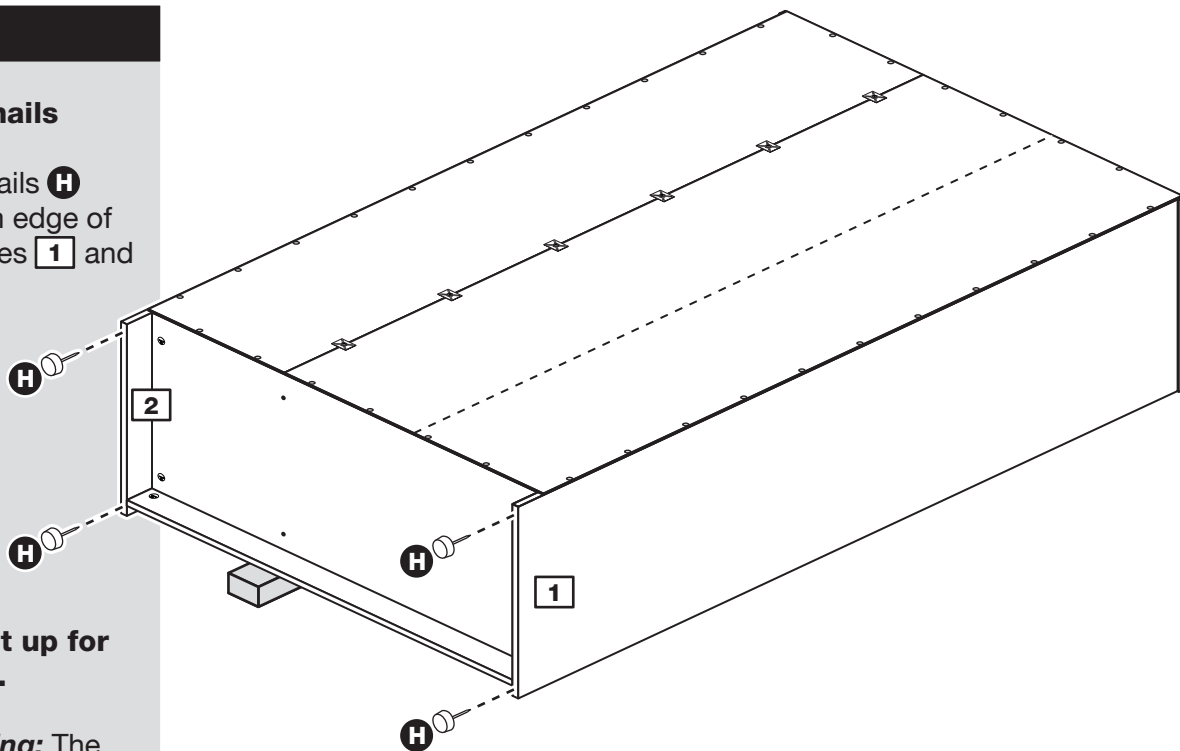


Assembly Instructions

Step 14

Fit the plastinails

Tap 2 plastic nails **H** into the bottom edge of each of the sides **1** and **2**.



Stand the unit up for the next step.



Warning: The unit is heavy. Lift with care.

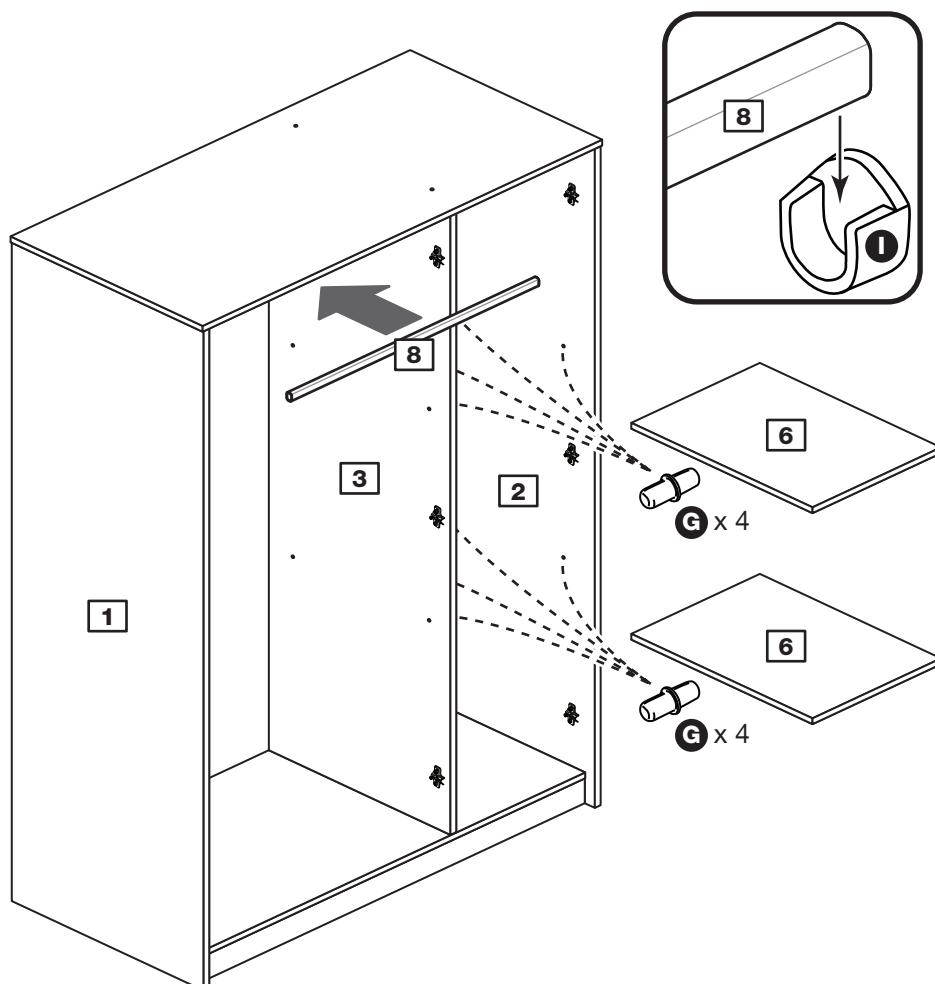
Step 15

Fit the hanging rail and shelves

Push the hanging rail **8** into the rail holders **1** fitted to the left side **1** and divider **3**.

Insert 4 shelf studs **G** into each set of holes in the right side **2** and divider **3**.

Lower the 2 shelves **6** down onto the shelf studs **G**.



Assembly Instructions

Step 16

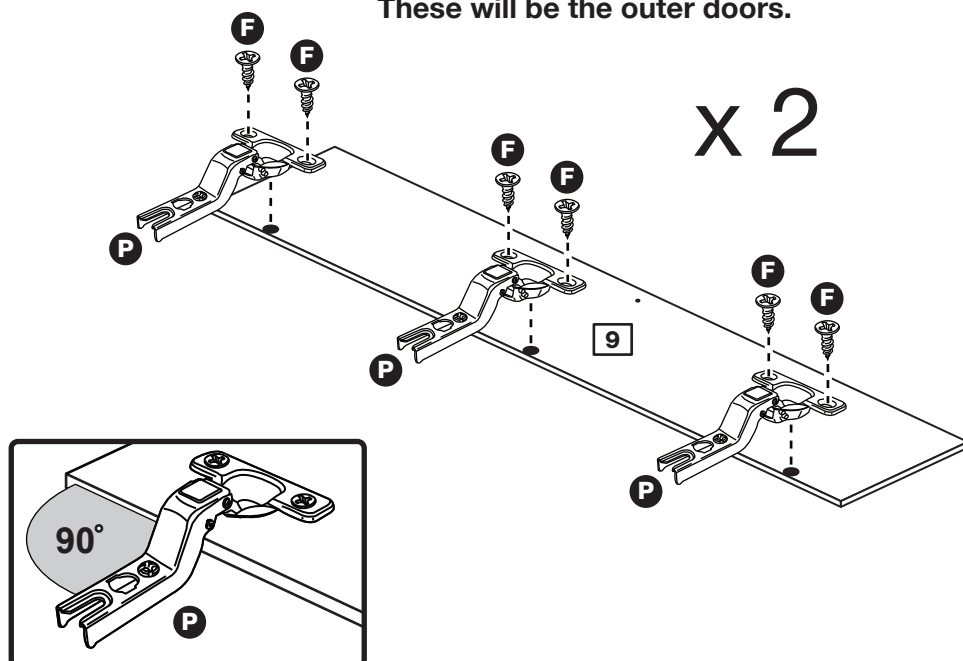
Prepare the 2 outer doors

Push fit 3 hinges **P** into 2 of the doors **9**.

Secure each hinge with 2 screws **F**.

Note: Before securing with the screws, make sure that the hinges are positioned at 90 degrees with the edge of the door.

Note: The hinge arms used on these 2 doors are in the bag of 6 labelled AHP1546. These will be the outer doors.



Step 17

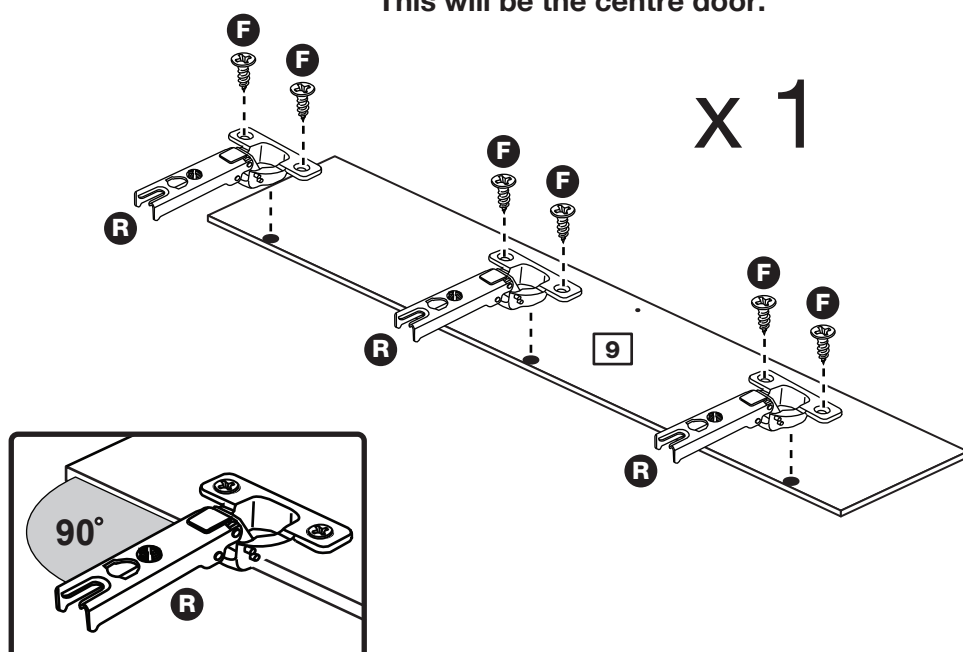
Prepare the centre door

Push fit 3 hinges **R** into the door **9**.

Secure each hinge with 2 screws **F**.

Note: Before securing with the screws, make sure that the hinges are positioned at 90 degrees with the edge of the door.

Note: The hinge arms used on this door are in the bag of 3 labelled AHP1043. This will be the centre door.



Assembly Instructions

Step 18

Fit the 2 outer doors and their handles

Note: The easiest way to attach a door **9** is to fit the top hinge first, then align and fit the other hinges.

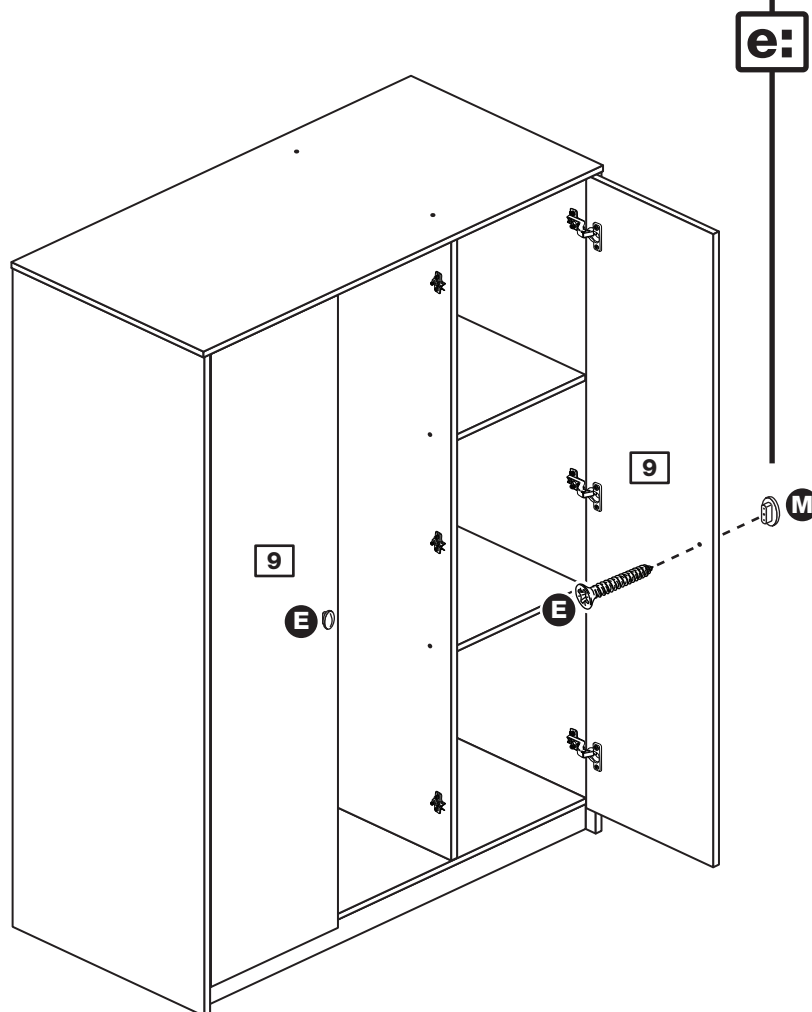
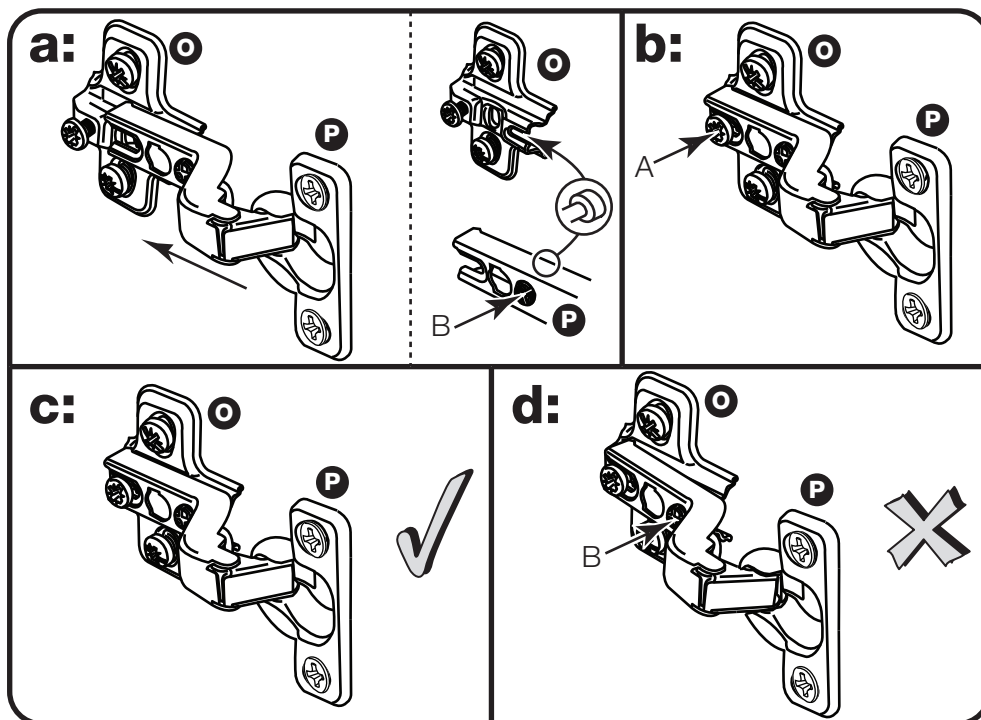
a: Push the hinge **P** onto the front part of the hinge plate **O**.
The recess at the bottom of screw B goes into the slot in the hinge plate.

b: Keep the hinge **P** FLAT against the hinge plate **O** as you slide it across as far as it will go. Tighten screw A.

c: The hinge **P** must be flat against the hinge plate **O** prior to any adjustment.

d: The hinge **P** must NOT be AT AN ANGLE to the hinge plate **O** when assembled. This would indicate that the recess at the bottom of screw B had not located in the slot in the hinge plate and the hinge would not be secure. Remove the hinge from the hinge plate and then re-assemble being careful to follow instructions a-c.

e: Attach a handle **M** to each door **9** using screw **E**.



Assembly Instructions

Step 19

Fit the centre door and its handle

Note: The easiest way to attach a door **9** is to fit the top hinge first, then align and fit the other hinges.

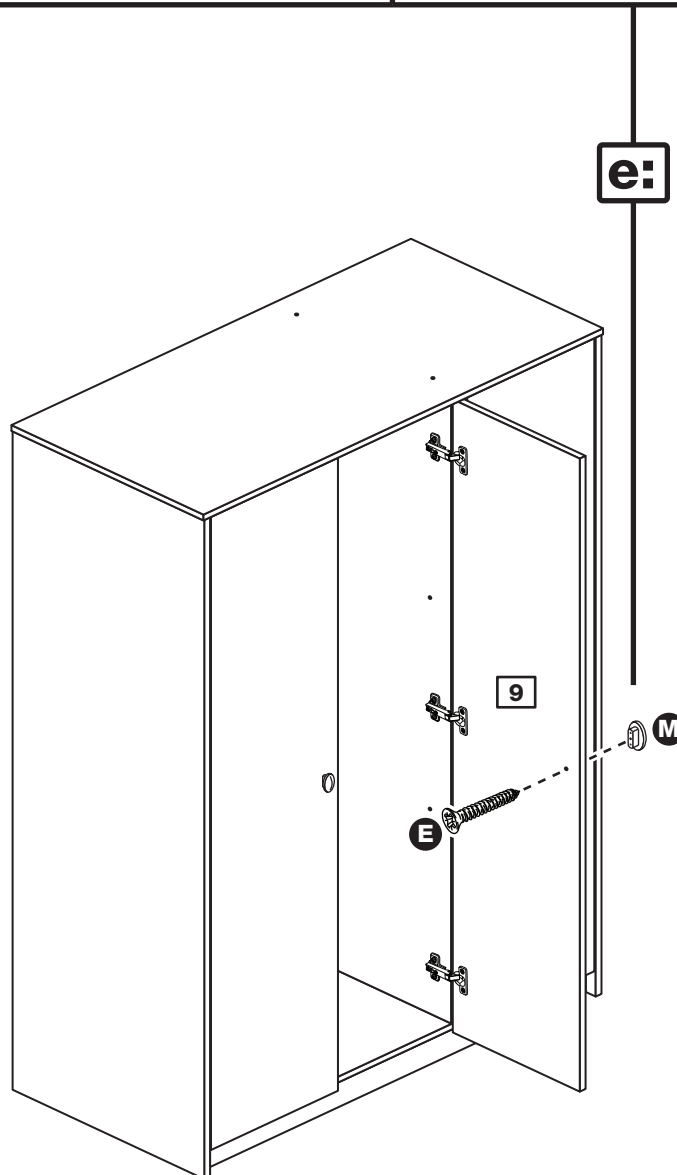
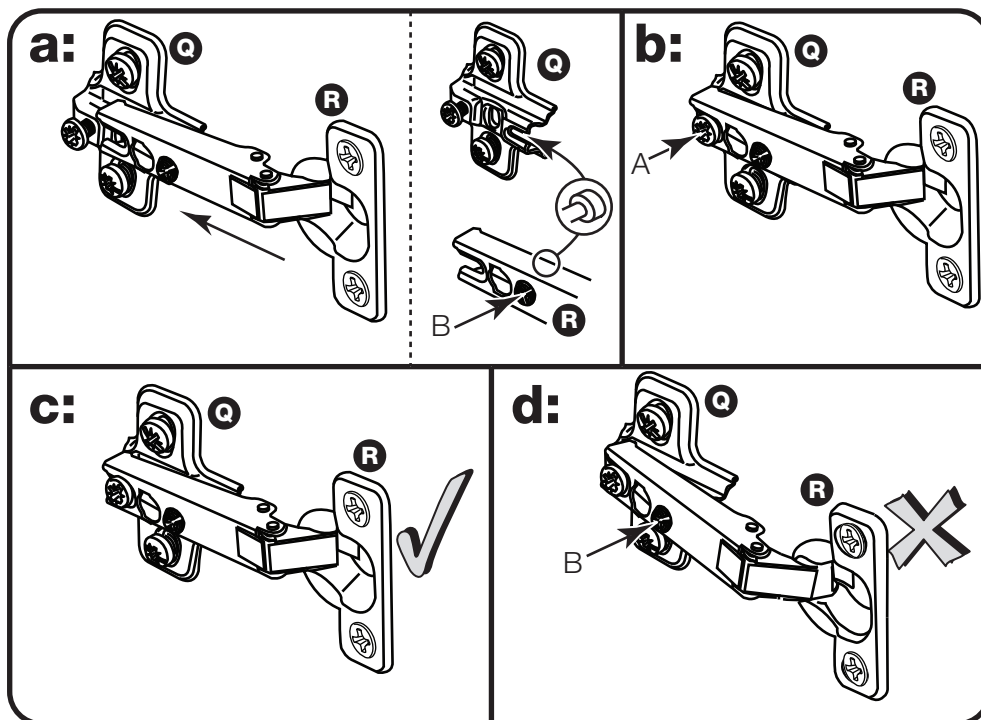
a: Push the hinge **R** onto the front part of the hinge plate **Q**. The recess at the bottom of screw B goes into the slot in the hinge plate.

b: Keep the hinge **R** FLAT against the hinge plate **Q** as you slide it across as far as it will go. Tighten screw A.

c: The hinge **R** must be flat against the hinge plate **Q** prior to any adjustment.

d: The hinge **R** must NOT be AT AN ANGLE to the hinge plate **Q** when assembled. This would indicate that the recess at the bottom of screw B had not located in the slot in the hinge plate and the hinge would not be secure. Remove the hinge from the hinge plate and then re-assemble being careful to follow instructions a-c.

e: Attach a handle **M** to the door **9** using screw **E**.



Assembly Instructions

Step 20

Adjust the doors if needed

a: Before adjusting the doors, use a spirit level to check the base (or top) of the unit is level, front-to-back and side-to-side in the 3 positions shown. Use suitable packing pieces (not supplied) to make the unit level BEFORE making any adjustment to the hinges, as shown.

b: Height adjustment.

Loosen screws A on hinge plates and move door up or down as required. Retighten screw A.

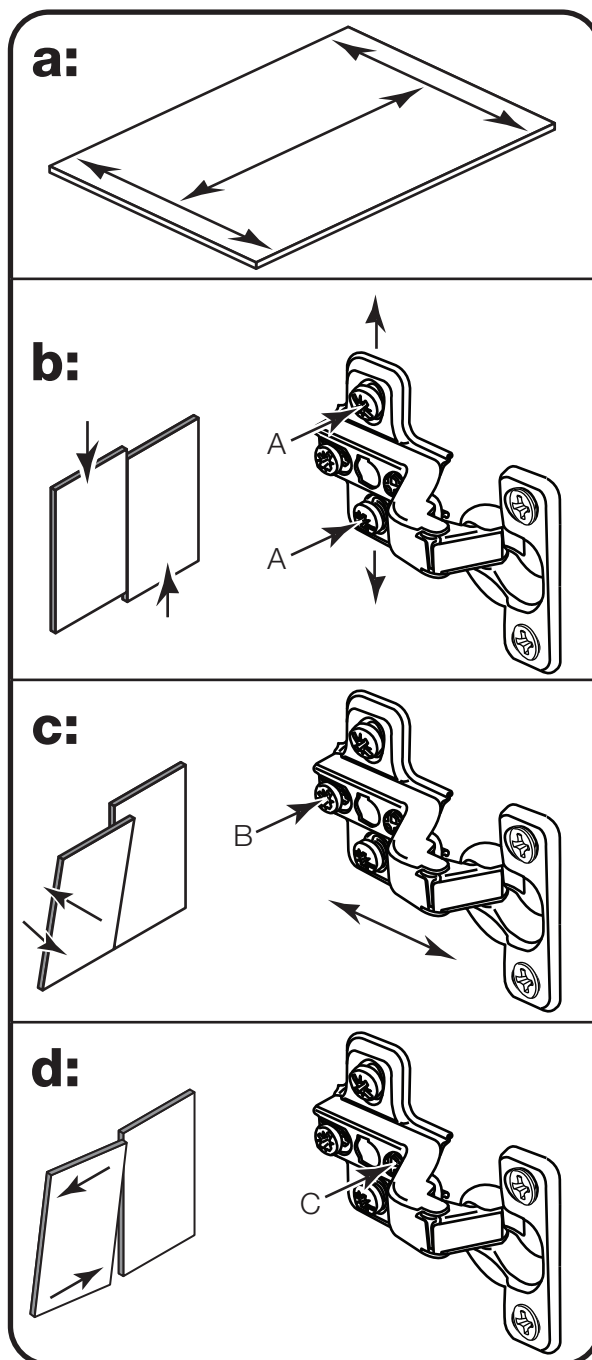
c: Forward and Back adjustment.

Loosen screw B on hinge plate and move door in or out as required. Retighten screw B.

d: Sideways adjustment.

To move door 'out' loosen screw C. To move door 'in' tighten screw C.

Note: This shows the hinges on the outer doors but, the same method is also used on the centre door.



Assembly Instructions

Step 21

Fit the overbalance protector

To prevent possible overbalancing we recommend that this unit is secured to a suitable wall by use of the overbalance protector kit **(N)** fitted to the unit or, an alternative fixing method of your choice.

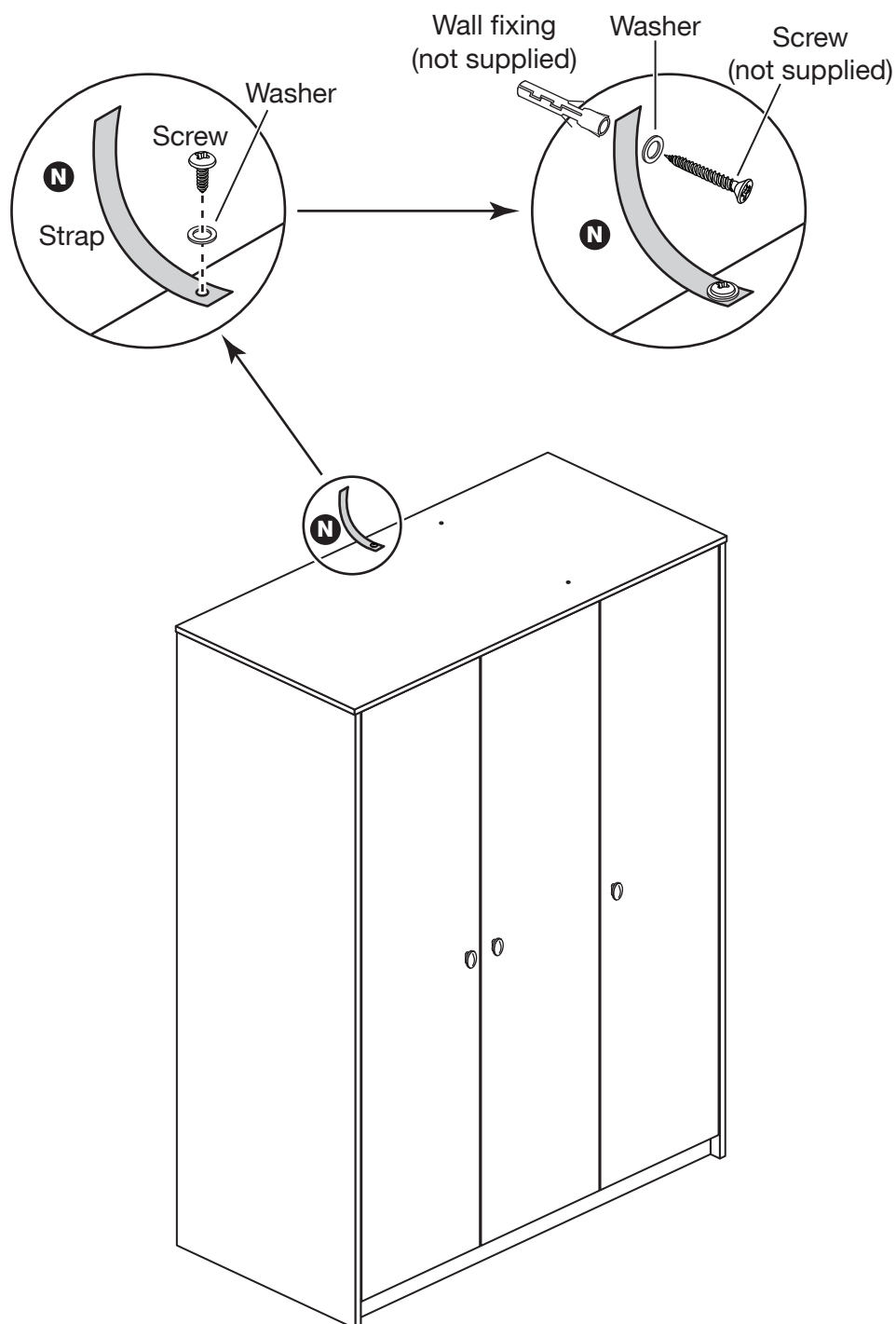
Wall fixings are not supplied as they will need to suit the wall type.

Note: Take care when drilling the wall that you do not drill into any pipes, wires etc. If in doubt, consult an expert.



Warning: The unit is heavy. Lift with care.

Assembly is complete



If you need help or have damaged or missing parts, call the **Customer Helpline: 03456 400800** and quote the reference numbers on the component pages.

Argos Ltd, 489-499 Avebury Boulevard, Central Milton Keynes, MK9 2NW