

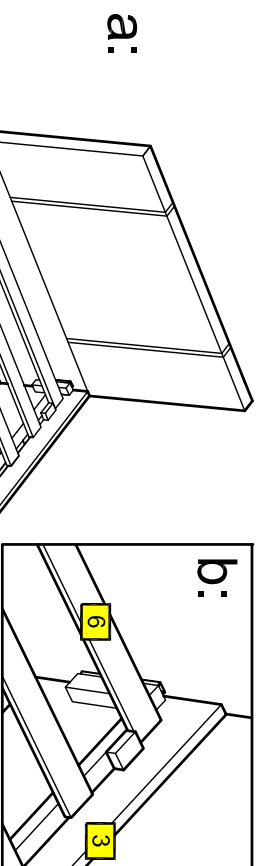
# Assembly Instructions

## Step 7

### Attaching slats

For this stage requires two people.

a: Insert the storage drawer in its place.

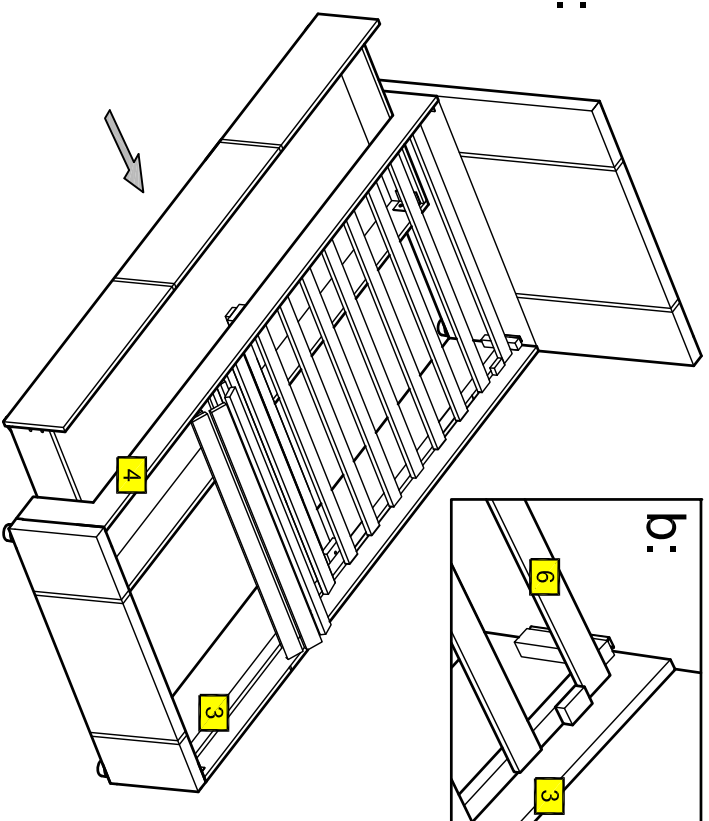


b: Roll the slats over the sides [3] and [4], and connect slats over the wood elements that are attached on both sides of the Side Rails [3] and [4].

Slats to be rolled out with staples on the underside.

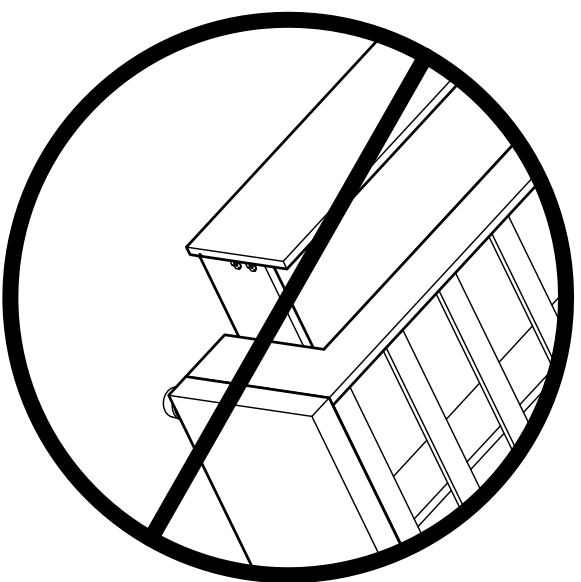
Repeat operation for all 4 corners.

Assembly is now complete.



### ATTENTION !

Trundle drawer should always be in closed position when laying or sitting on the bed .



If you need help or have damaged or missing parts, call the **Customer Helpline: Argos = 0345 640 3030**

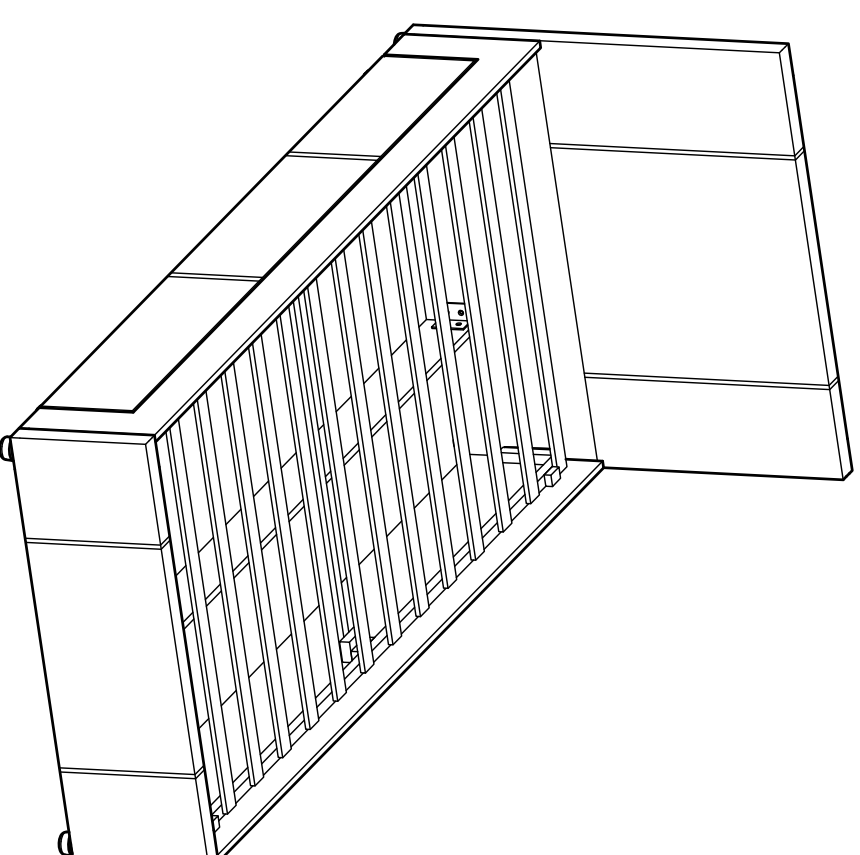
# Heston Drawer 3FT

Assembly Instructions - Please keep for future reference

Cat.no 331 / 3866

Cat.no 338 / 8152

Cat.no 339 / 3776



### Dimension

Width - 95cm

Length - 203cm

Height - 87cm

**Important - Please read these instructions fully before starting assembly**

If you need help or have damaged or missing parts, call the **Customer Helpline: Argos = 0345 640 3030**



# Safety and Care Advice

## Important - Please read these instructions fully before starting assembly

- Check you have all the components and tools listed on pages 2 and 3.
- Remove all fittings from the plastic bags and separate them into their groups.
- Keep children and animals away from the work area, small parts could choke if swallowed.
- Make sure you have enough space to layout the parts before starting.
- Do not stand or put weight on the product, this could cause damage.
- Assemble the item as close to its final position (in the same room) as possible.
- Assemble on a soft level surface to avoid damaging the unit or your floor.
- Parts of the assembly will be easier with 2 people.



- We do not recommend the use of power drill/drivers for **inserting bolts** as this could damage the unit. Only use hand screwdrivers.
- Dispose of all packaging carefully and responsibly.
- Do not tighten all bolts until bed is fully assembled.

## Care and maintenance

- Only clean using a damp cloth and mild detergent, do not use bleach or abrasive cleaners.
- From time to time check that there are no loose bolts on this unit.
- This product should not be discarded with household waste. Take to your local authority waste disposal centre.

## Handy Hints

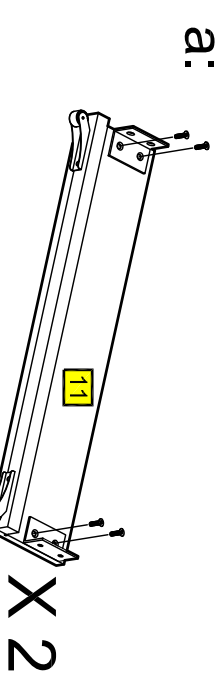
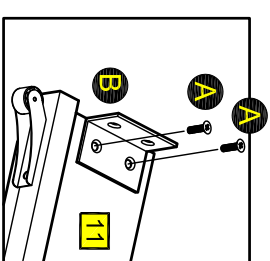
- Assemble all parts and bolts loosely during assembly, only once the product is complete should you fully tighten the bolts.
- Regularly check and ensure that all bolts and fittings are tightened properly.

# Assembly Instructions

## Step 5

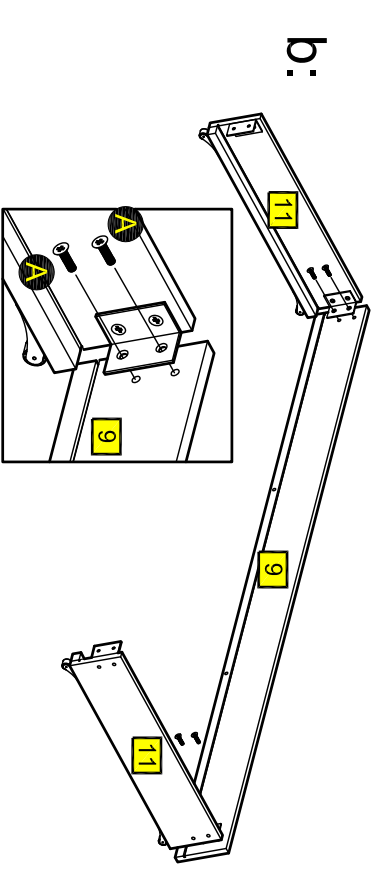
### Assembling the storage drawer

- a:** Fix the corner brackets **B** to the Side board **11** of the storage drawer with Bolts **A**.



Make the same operation with the other side board of the storage drawer **11**.

- b:** Fix the Back board **9** to the Side board **11** using Bolts **A**.



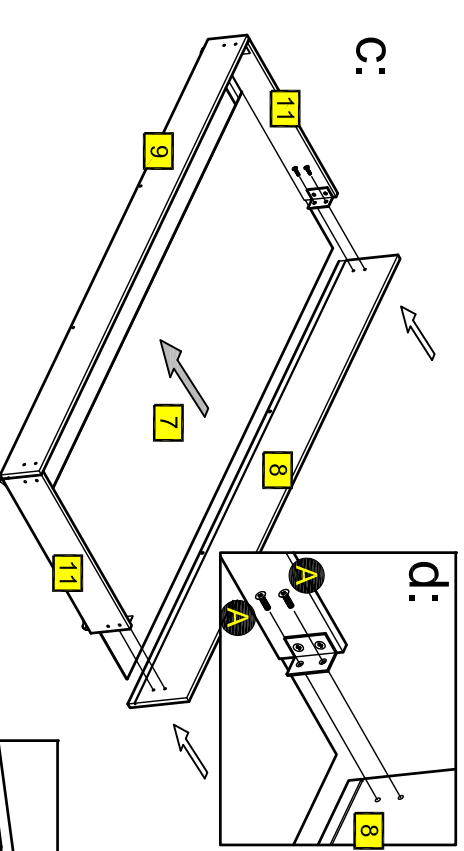
Repeat the operation above with the other Side board **11**.

**Note: Do not fully tighten bolts.**

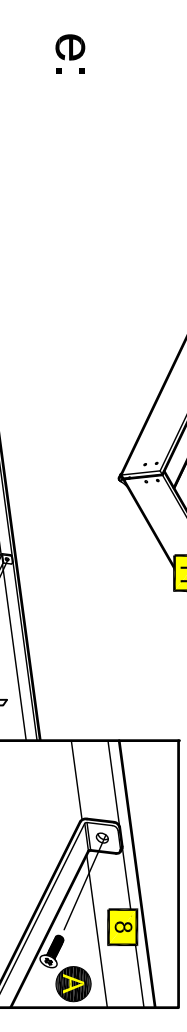
## Step 6

### Assembling the storage drawer

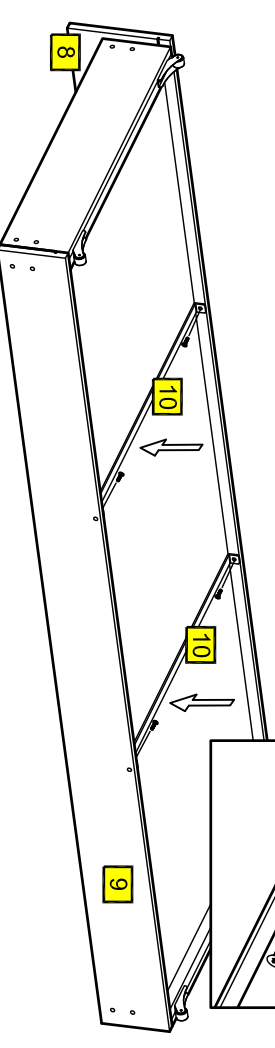
- Two people are needed here.
- c:** Slide Bottom board **7** into the grooves.



- d:** Attach Front board **8** by the two Side board **11** with the Bolts **A**.



- e:** Fix the Support bars **10** to the Front board **8** and Back board **9** with Bolts **A**.



**Now fully tighten all bolts.**

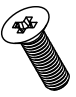

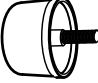
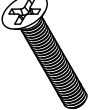
**Note:** if required the next page can be cut out and used as reference throughout the assembly. Keep this page with these instructions for future reference.

If you need help or have damaged or missing parts, call the **Customer Helpline: Argos = 0345 640 3030**

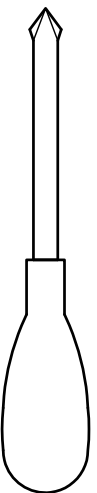
# Components - Fittings

**Please check you have all the fittings listed below**

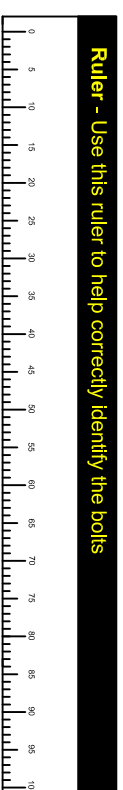
**Note:** the quantities below are the correct amount to complete the assembly. In some cases more fittings may be supplied than are required.

<b>A</b>		<b>B</b>		<b>C</b>	
	M6x20 mm Bolt x 20		Angle corner x 4		Leg x 4
<b>D</b>					
	M6x45mm Bolt x 2				

## Tools required



Screwdriver (Not supplied)



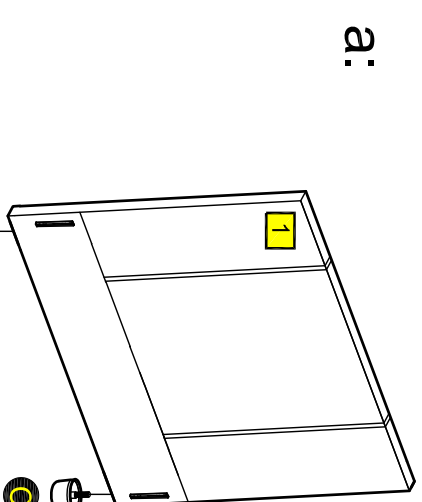
**Ruler - Use this ruler to help correctly identify the bolts**

# Assembly Instructions

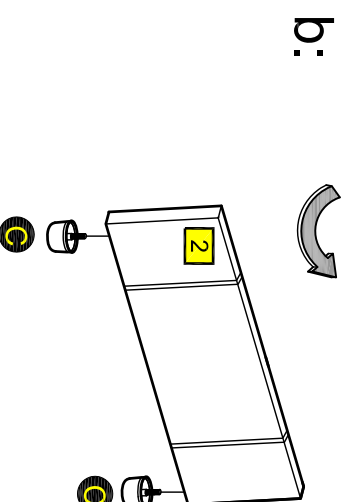
## Step 1

### Attaching legs

**a:** Insert Legs **C** into Headboard **1** and secure tightly in a clockwise direction.



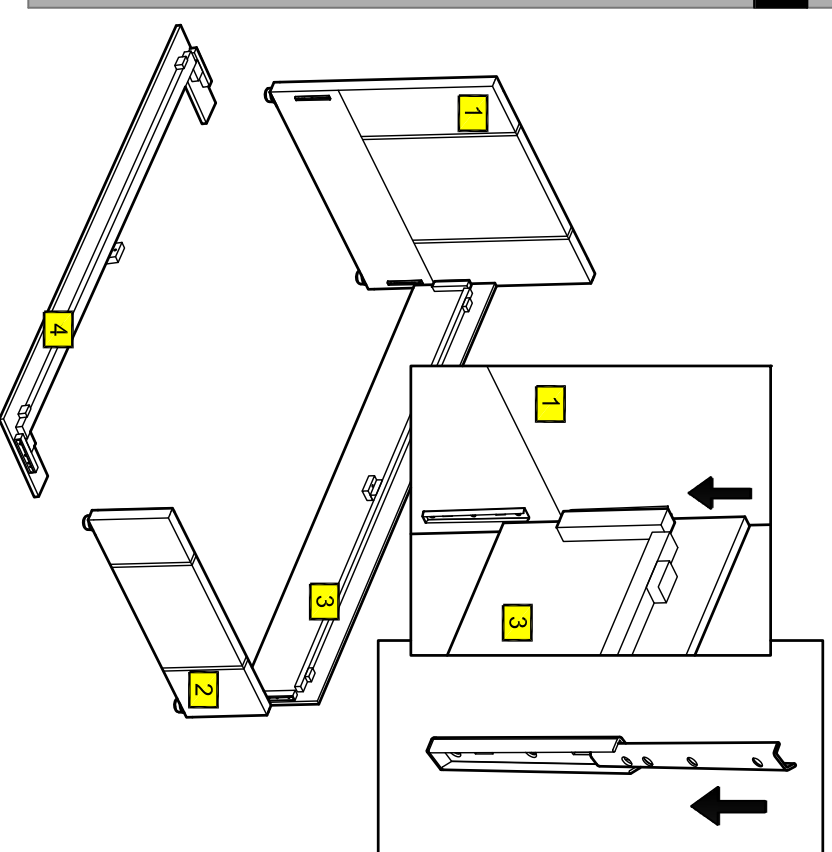
**b:** Insert Legs **C** into Footboard **2** and secure tightly in a clockwise direction.



## Step 2

### Attaching side rails

Connect Side rail **3** with Headboard **1** and Footboard **2** as seen in the image.



If you need help or have damaged or missing parts, call the **Customer Helpline: Argos = 0345 640 3030**

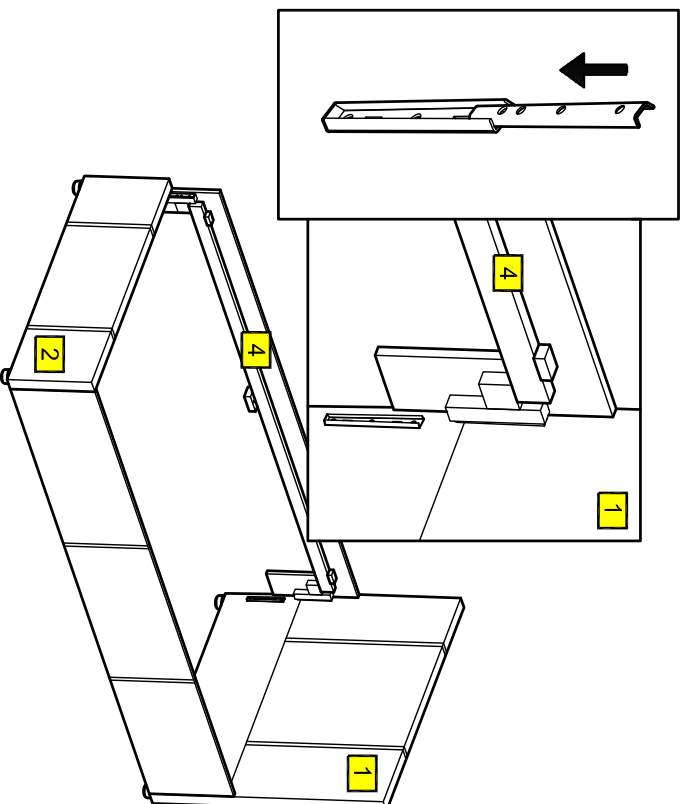
## Step 3

### Attaching side rails

Two people are needed here.

Connect Side rail [4] with Headboard [1] and Footboard [2] as seen in the image.

**Note:** Take care when sliding side rails into headboard so as not to scratch material.



## Step 4

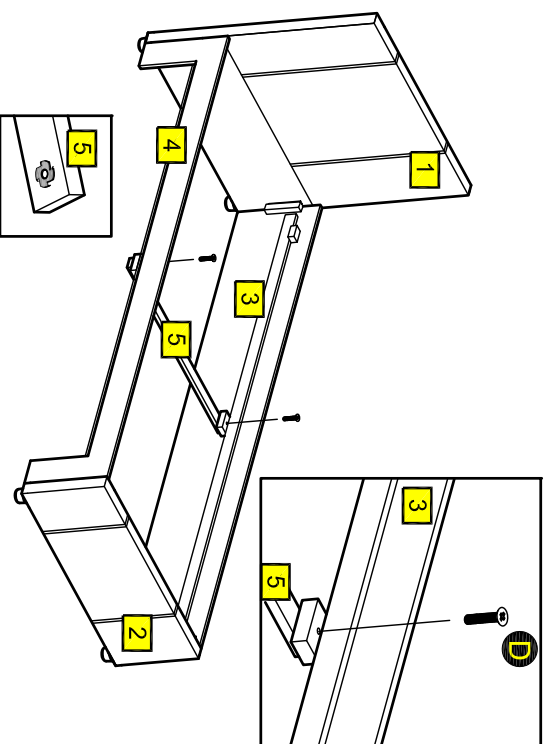
### Attaching support bar

Insert Bolt [D] through central hole from central Support bar [5] and through central hole on the Side rail [3] then secure tightly in a clockwise direction.

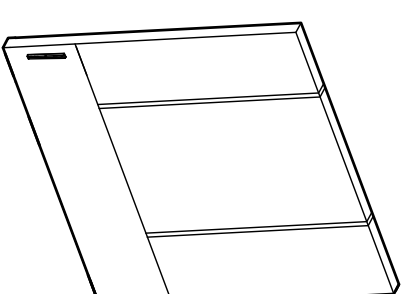
Central Support bar [5] attaches with metal nut down.

Make the same for the other Side Rail [4].

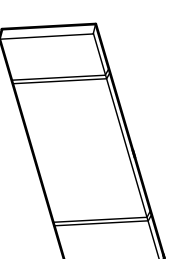
Now fully tighten all bolts.



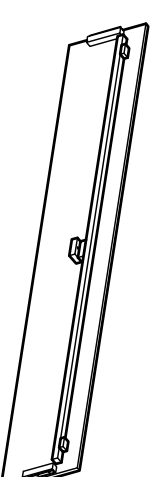
## Please check you have all the parts listed below



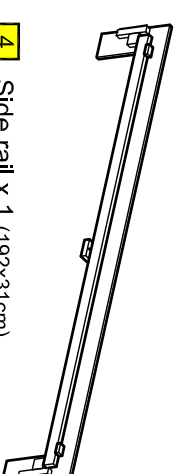
[1] Headboard (95x84cm)



[2] Footboard (95x31cm)



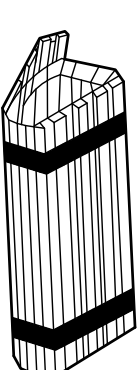
[3] Side rail x 1 (192x31cm)



[4] Side rail x 1 (192x31cm)

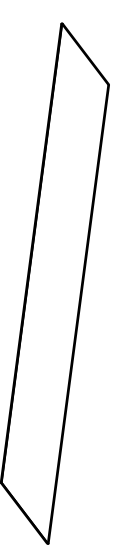


[5] Central support bar x 1 (91x2.2cm)

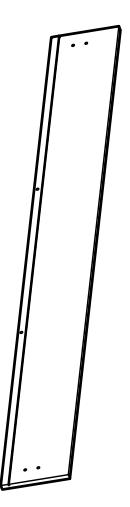


[6] Slats (90.5x4.3cm)

### Storage drawer



[7] Bottom board x 1 (165.5x56cm)



[8] Front board x 1 (170.5x20.5cm)



[9] Back board x 1 (167.5x13.6cm)



[10] Support bar x 2 (55x2cm)



[11] Side board x 2 (55x17cm)

If you need help or have damaged or missing parts, call the **Customer Helpline: Argos = 0345 640 3030**