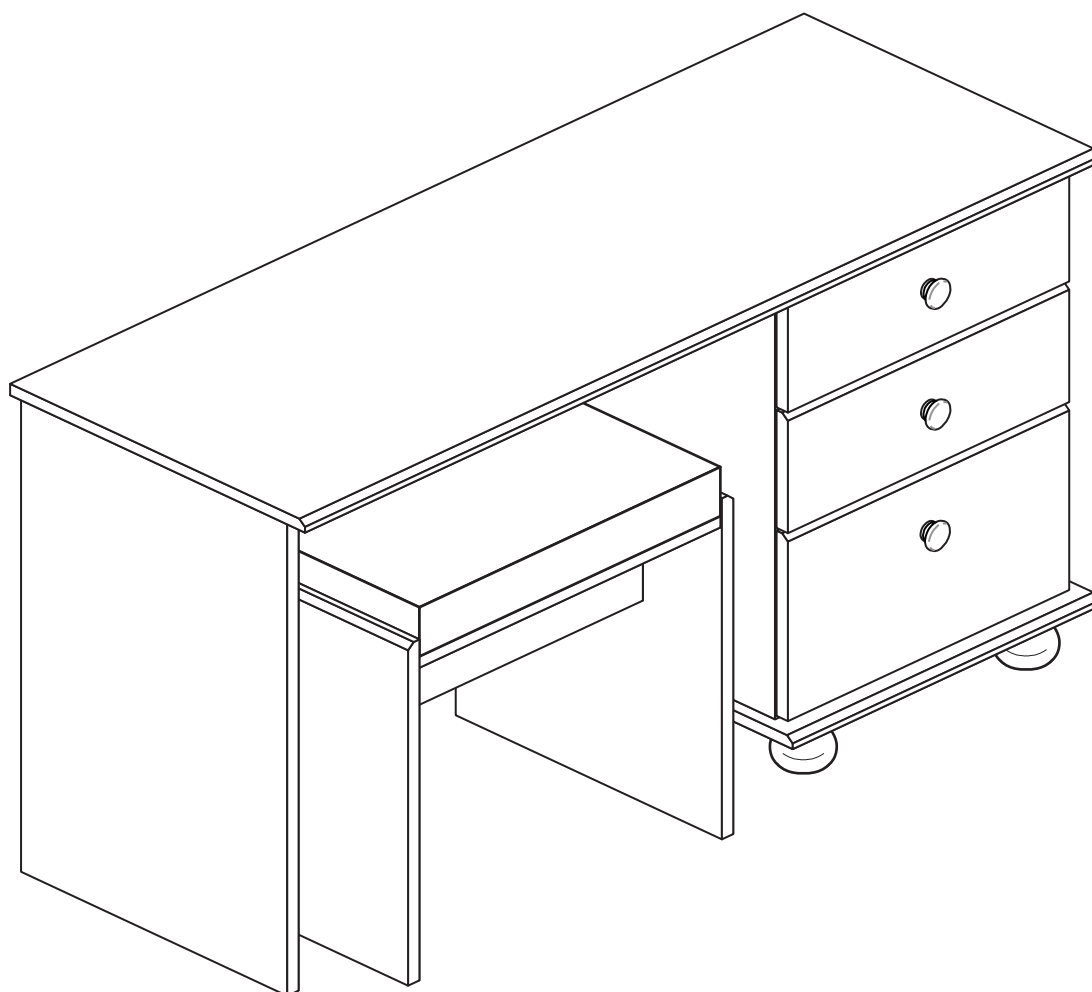


Stirling - Dressing Table and Stool

Assembly Instructions - Please keep for future reference

331/3639

330/0446



Dimensions

Width - 105cm

Depth - 39cm

Height - 67cm



**MADE IN
BRITAIN**

Important - Please read these instructions fully before starting assembly

If you need help or have damaged or missing parts, call the **Customer Helpline: 03456 400800**



Safety and Care Advice

Important - Please read these instructions fully before starting assembly

- **Warning:** This unit weighs approximately 30kgs. Please lift with care.
- Check you have all the components and tools listed on pages 2 and 3.
- Remove all fittings from the plastic bags and separate them into their groups.
- Keep children and animals away from the work area, small parts could choke if swallowed.
- Parts of the assembly will be easier with 2 people.

- Make sure you have enough space to layout the parts before starting.
- Do not stand or put weight on the product, this could cause damage.
- Assemble the item as close to its final position (in the same room) as possible.
- Assemble on a soft level surface to avoid damaging the unit or your floor (use opened out unit carton).



• We do not recommend the use of power drill/drivers **for inserting screws**, as this could damage the unit. Only use hand screwdrivers.

• **Safety note:** It is recommended that this unit is secured to a wall using the overbalance kit supplied.

• Dispose of all packaging carefully and responsibly.

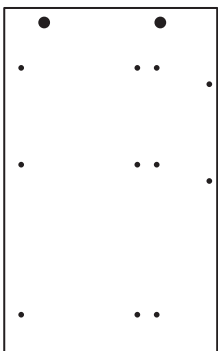
Care and maintenance

- Only clean using a damp cloth and mild detergent, do not use bleach or abrasive cleaners.
- From time to time check that there are no loose screws on this unit.
- This product should not be discarded with household waste. Take to your local authority waste disposal centre.

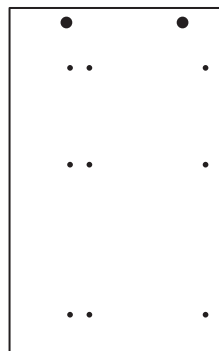
Components - Panels

If you have damaged or missing components, call the **Customer Helpline: 03456 400800** quoting the reference numbers below

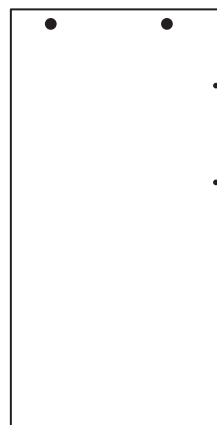
Please check you have all the panels listed below



1 Left Side (D3012A)
(572 x 352mm)



2 Right Side (D3005A)
(572 x 352mm)



3 Fly End (D3031B)
(637 x 352mm)

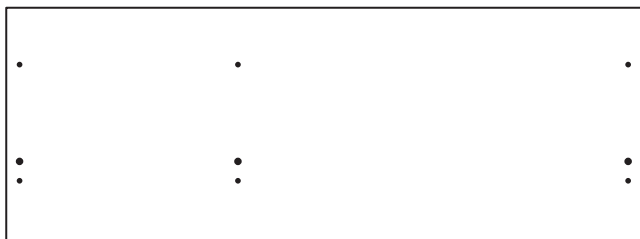


4 Modesty (D3013A)
(630 x 245mm)

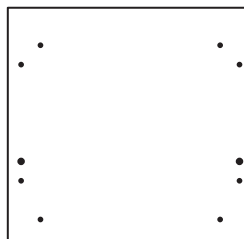
Components - Panels

If you have damaged or missing components, call the **Customer Helpline: 03456 400800** quoting the reference numbers below

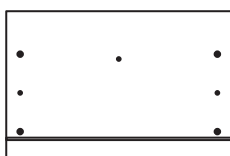
Please check you have all the panels listed below



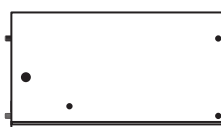
5 Top (D3010A)
(1050 x 390mm)



6 Base (D2993A)
(405 x 390mm)



7 Large Drawer Front (D2995A)
(372 x 245mm)



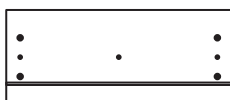
8 Large Left Drawer Side (W350-195LH)
(350 x 195mm)



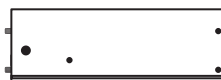
9 Large Right Drawer Side (W350-195RH)
(350 x 195mm)



10 Large Drawer Back (W313-195)
(313 x 195mm)



11 Small Drawer Front (D2994A)
(372 x 156mm) x 2



12 Small Left Drawer Side (W350-124LH)
(350 x 124mm) x 2



13 Small Right Drawer Side (W350-124RH)
(350 x 124mm) x 2



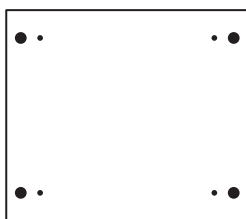
14 Small Drawer Back (W313-124)
(313 x 124mm) x 2



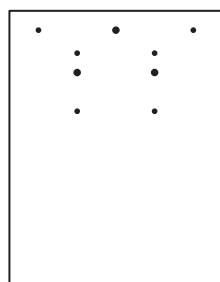
15 Drawer Base (T324-347)
(324 x 347mm) x 3



16 Back (X598-372)
(598 x 372mm)



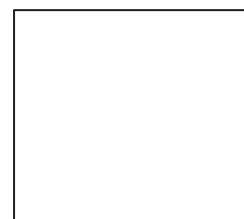
17 Stool Base (D2224A)
(400 x 348mm)



18 Stool Side (D2225A)
(451 x 352mm) x 2



19 Stool Rail (D2226A)
(400 x 144mm) x 2



20 Seat Pad (FMANPAD)
(398 x 348mm)


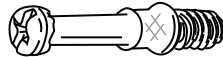

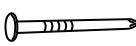





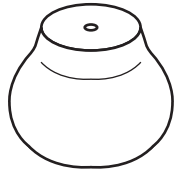




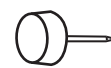

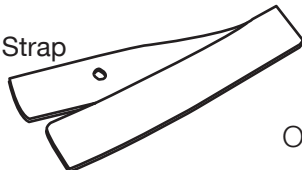





Components - Fittings

If you have damaged or missing components, call the **Customer Helpline: 03456 400800** quoting the reference numbers below

Please check you have all the fittings listed below

Note: The quantities below are the correct amount to complete the assembly. In some cases more fittings may be supplied than are required.

<p>A </p> <p>Wooden dowel (F22) x 11</p>	<p>B </p> <p>Metal dowel (F901) x 28</p>	<p>C </p> <p>Handle (F463) x 3</p>
<p>D </p> <p>Nail (F51) x 11</p>	<p>E </p> <p>Large locking nut (F900) x 22</p>	<p>F </p> <p>Small locking nut (F3) x 6</p>
<p>G </p> <p>40mm Screw (F910) x 8</p>	<p>H </p> <p>38mm Screw (F81) x 3</p>	<p>I </p> <p>25mm Screw (F50) x 4</p>
<p>J </p> <p>Foot (F340) x 4</p>	<p>K </p> <p>9mm Screw (F73) x 12</p>	<p>L </p> <p>9mm Screw (F74) x 6</p>
<p>M </p> <p>Knock-in Peg (F171) x 12</p>	<p>N </p> <p>Wedgefix (F639) x 6</p>	<p>O </p> <p>Plastic Nail (F91) x 6</p>
<p>P </p> <p>Drawer runner (F1004) x 6</p>		
<p>Q    </p> <p>Strap Screw Washer x 2</p> <p>Overbalance protector kit (F269) x 1</p>		

Tools required

Rule

Cross-head
screwdriver

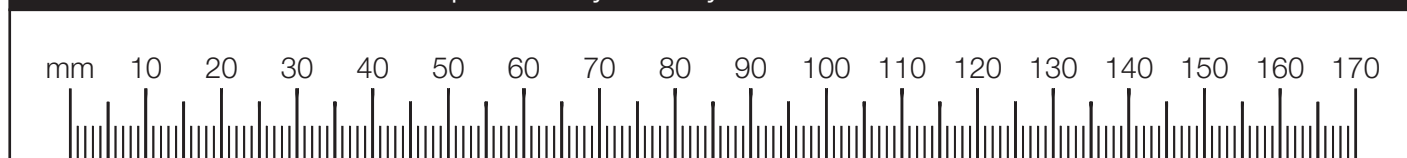
Scissors

Hammer

Eye protection
(when using a
hammer or drill)

Electric drill
(only use
when drilling
into walls)

Ruler - Use this ruler to help correctly identify the screws



Assembly Instructions

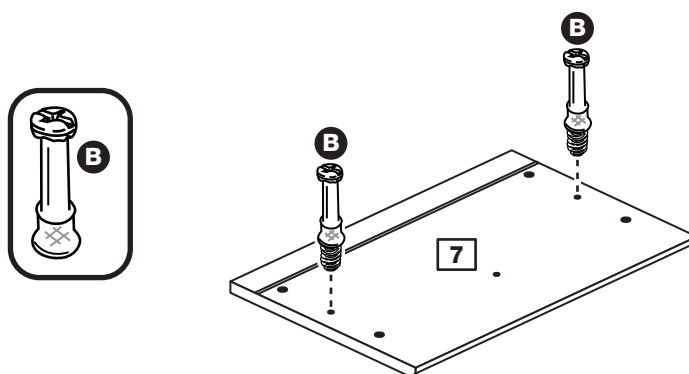
If you have damaged or missing components, call the
Customer Helpline: 03456 400800 quoting the reference
numbers below

Step 1

Prepare the large drawer front

Screw 2 metal dowels **B** into the large drawer front **7**.

Note: Tighten the metal dowels up fully against the panels.

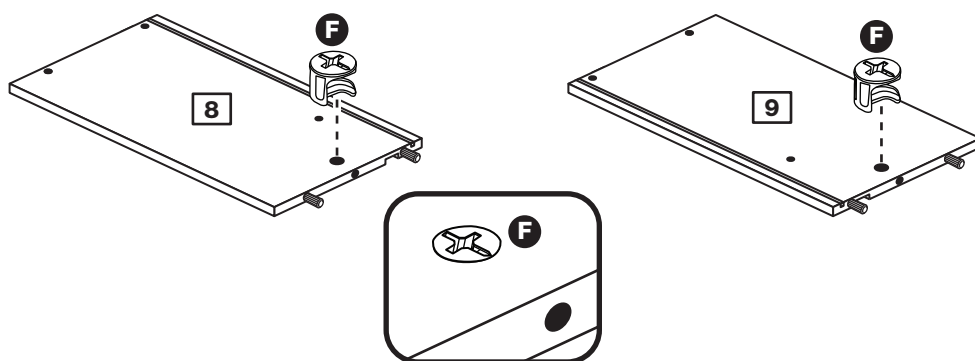


Step 2

Prepare the large drawer sides

Insert a small locking nut **F** into the hole shown on the large left drawer side **8** and the large right drawer side **9**.

Note: The arrow on the locking nut **must** point towards the hole in the edge of the panel.



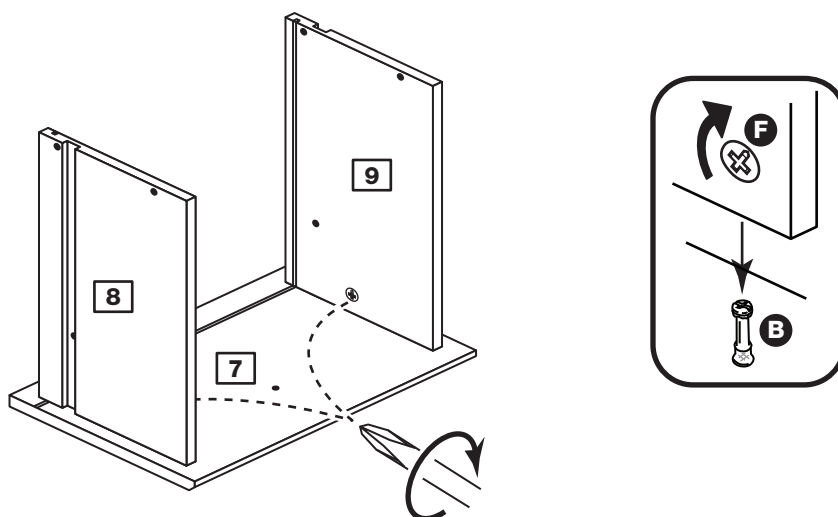
Step 3

Attach the large drawer sides to the large drawer front

Push the large left drawer side **8** and large right drawer side **9** onto the back of the large drawer front **7**.

Turn the small locking nuts **F** on the large left drawer side **8** and large right drawer side **9**.

Note: Turn the locking nuts **F** clockwise to secure panels - more than 1/2 a turn.

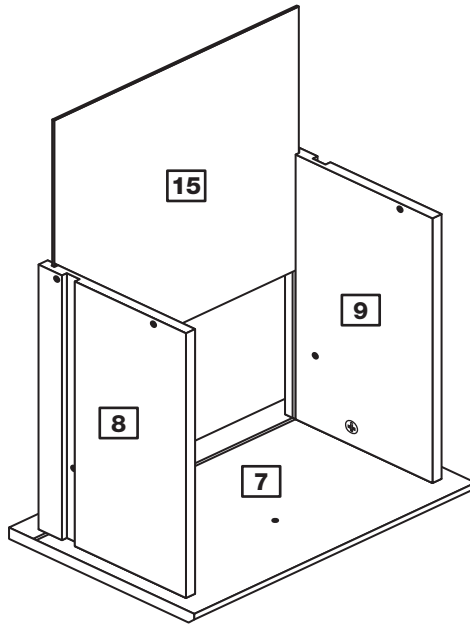


Assembly Instructions

Step 4

Fit the drawer base

Slide the drawer base **15** down the grooves in the large drawer sides **8** and **9** and down into the groove in the large drawer front **7**.

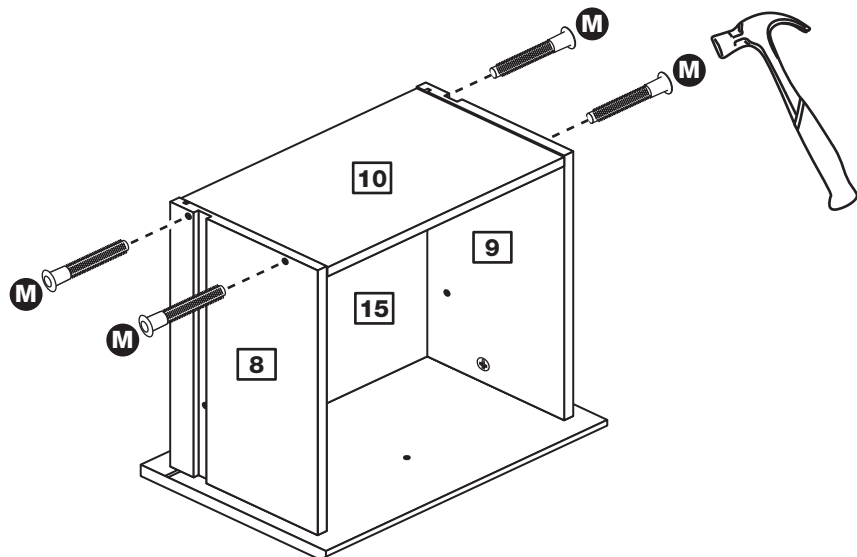


Step 5

Fit the large drawer back

Fit the large drawer back **10** between the large drawer sides **8** and **9**. Make sure that the drawer base **15** fits into the groove in the large drawer back **10**.

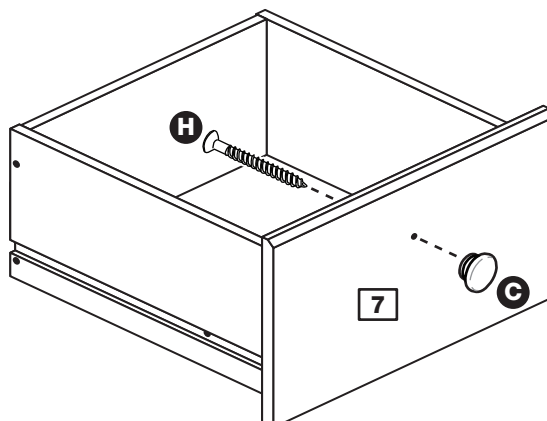
Hold the large drawer back **10** in position and tap the knock-in pegs **M** through the holes in the large drawer sides **8** and **9**.



Step 6

Attach the handle

Attach a handle **C** to the large drawer front **7** using screw **H**.

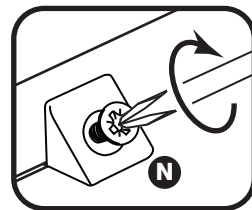
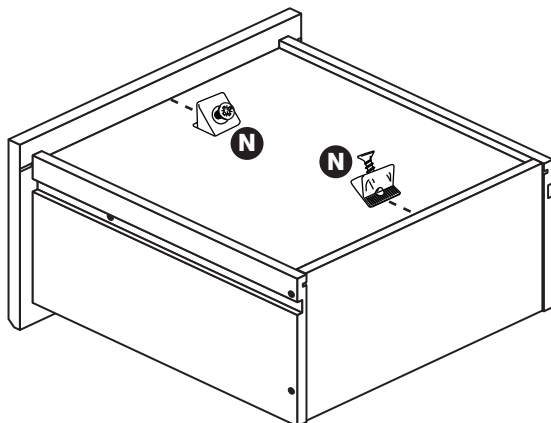


Assembly Instructions

Step 7

Fit the wedgexes

Turn the large drawer assembly over and slide 2 wedgexes **N** into the front and back grooves, as shown, and tighten up the screws.

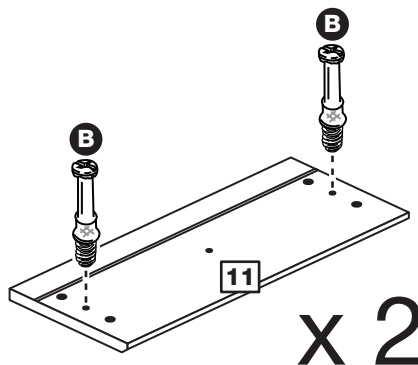
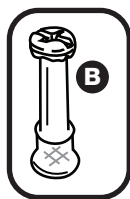


Step 8

Prepare the 2 small drawer fronts

Screw 2 metal dowels **B** into each of the small drawer fronts **11**.

Note: Tighten the metal dowels up fully against the panels.

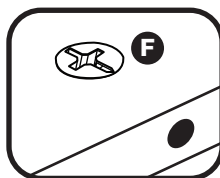
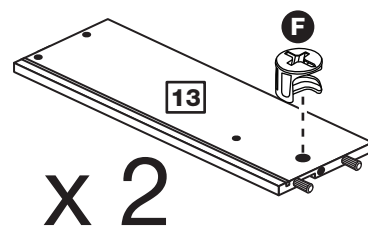
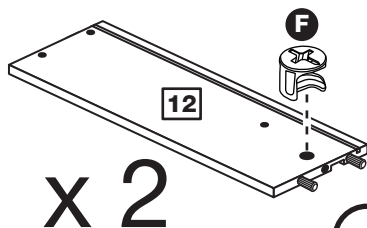


Step 9

Prepare the 2 pair of small drawer sides

Insert a small locking nut **F** into the hole shown on the small left drawer side **12** and the small right drawer side **13**.

Note: The arrow on the locking nut **must** point towards the hole in the edge of the panel.



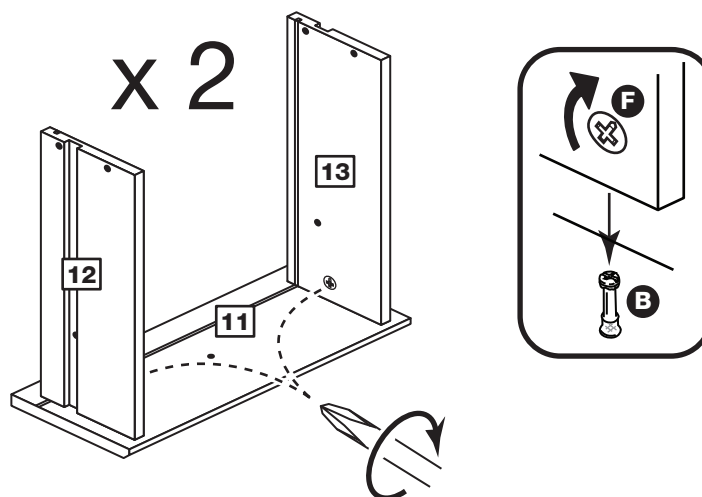
Assembly Instructions

Step 10

Attach the small drawer sides to the small drawer fronts

Push the small left drawer side **12** and small right drawer side **13** onto the back of the small drawer front **11**.

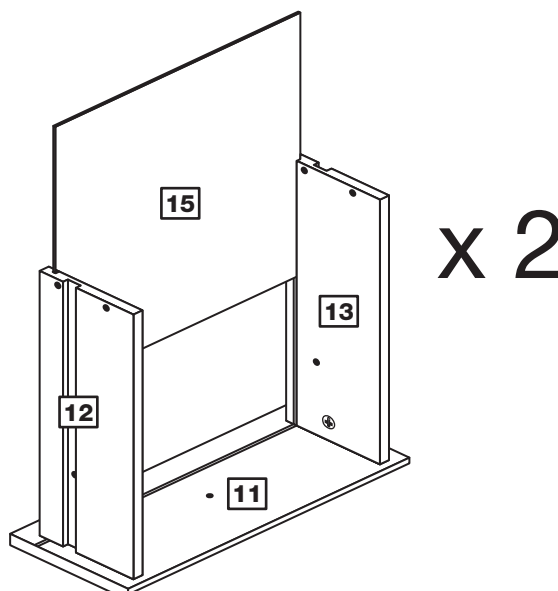
Turn the small locking nuts **F** on the small left drawer side **12** and small right drawer side **13**.



Step 11

Fit the drawer bases

Slide the drawer base **15** down the grooves in the small drawer sides **12** and **13** and down into the groove in the small drawer front **11**.

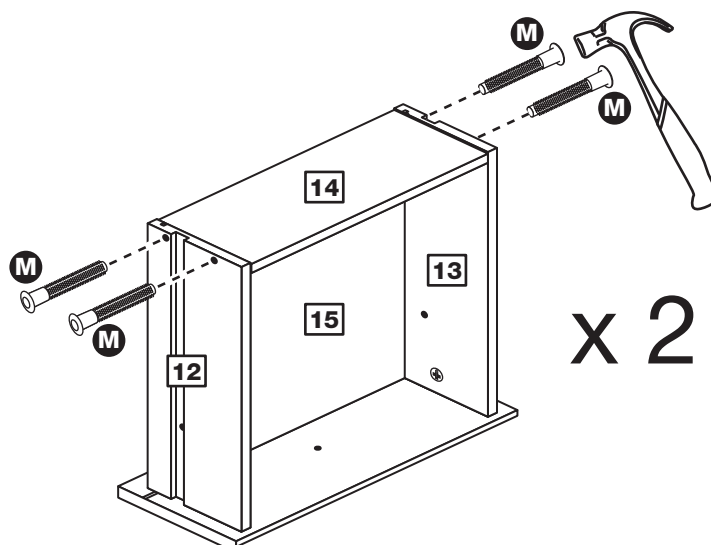


Step 12

Fit the small drawer backs

Fit the small drawer back **14** between the small drawer sides **12** and **13**. Make sure that the small drawer base **15** fits into the groove in the small drawer back **14**.

Hold the small drawer back **14** in position and tap the knock-in pegs **M** through the holes in the small drawer sides **12** and **13**.

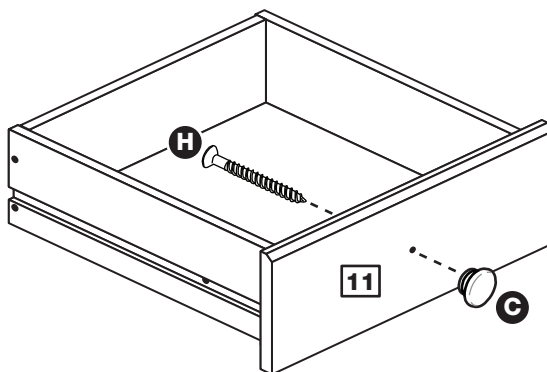


Assembly Instructions

Step 13

Attach the handle

Attach a handle **C** to the small drawer front **11** using screw **H**.

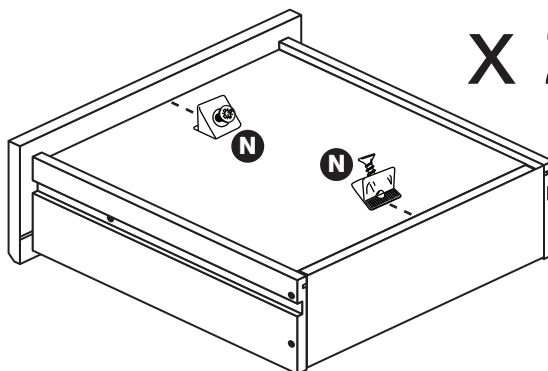


x 2

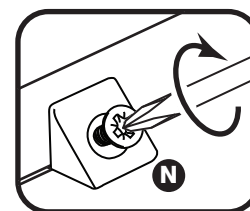
Step 14

Fit the wedgexes

Turn the small drawer assembly over and slide 2 wedgexes **N** into the front and back grooves, as shown, and tighten up the screws.



x 2



Assembly Instructions

Step 15

Prepare one surface of the left side

a: Place 3 runners **P** on the left side **1**. Slide back the top of runner and use the 2nd hole from the front to fit the 1st screw **K**.

b: Slide the runner **P** back the other way and fit the 2nd screw **K** into the corresponding hole in the left side **1**.

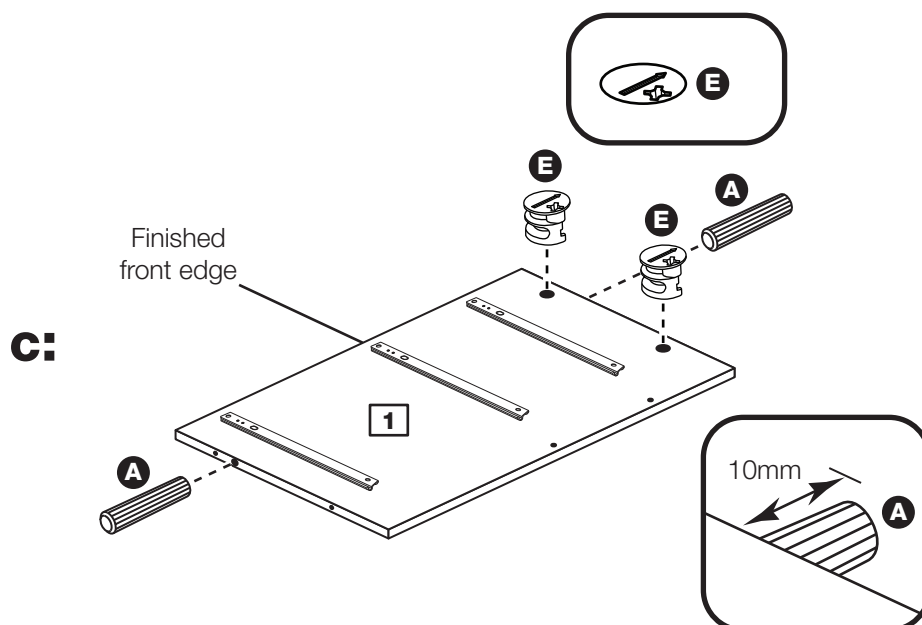
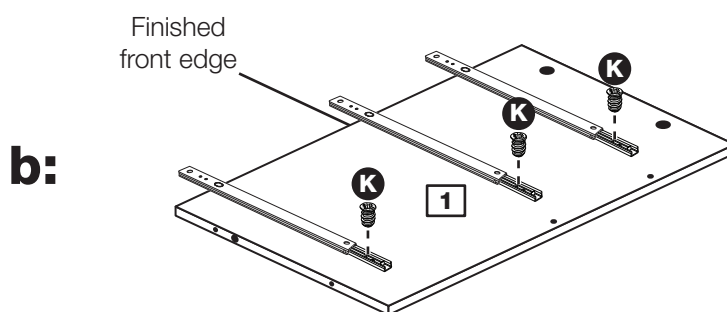
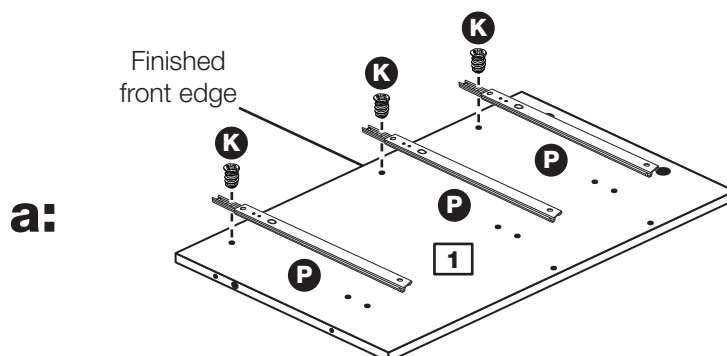
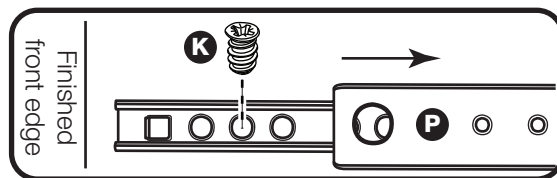
c: Tap 2 wooden dowels **A** into the left side **1**.

Note: Wooden dowels **must not** stick out from the edge by more than 10mm or they may damage other panels.

Insert 2 large locking nuts **E** into the left side **1**.

Note: The arrow on the locking nut **must** point towards the hole in the edge of the panel.

Turn the left side over for the next step

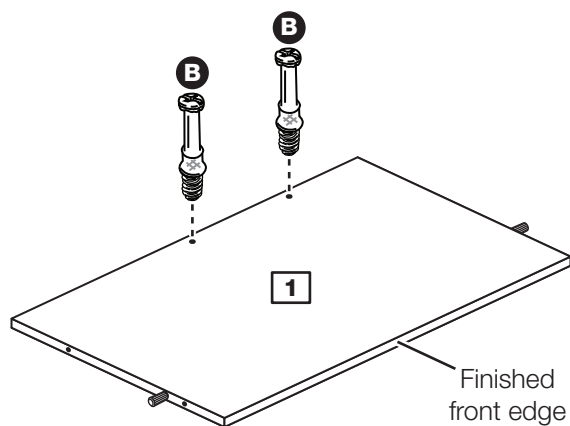


Assembly Instructions

Step 16

Prepare the other surface of the left side

Screw 2 metal dowels **B** into the left side **1**.



Step 17

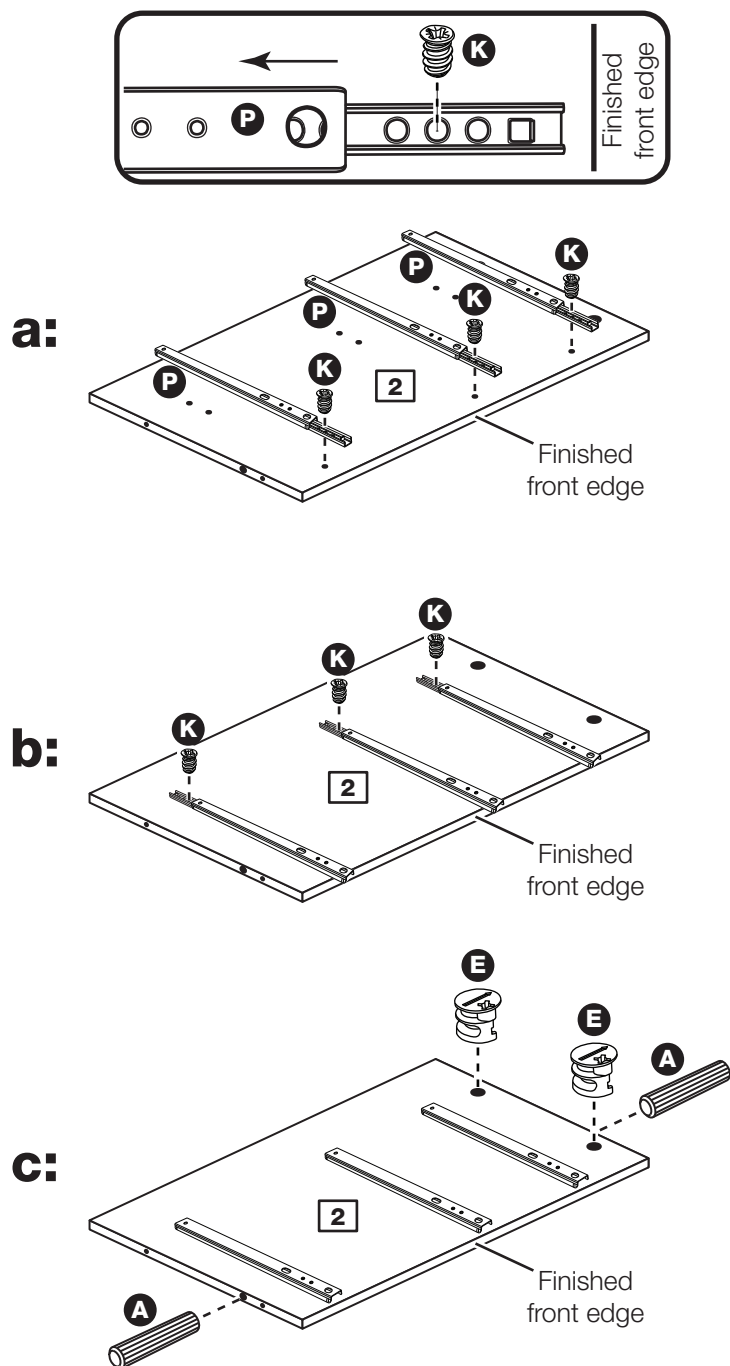
Prepare the right side

a: Place 3 runners **P** on the right side **2**. Slide back the top of runner and use the 2nd hole from the front to fit the 1st screw **K**.

b: Slide the runner **P** back the other way and fit the 2nd screw **K** into the corresponding hole in the right side **2**.

c: Tap 2 wooden dowels **A** into the right side **2**.

Insert 2 large locking nuts **E** into the right side **2**.



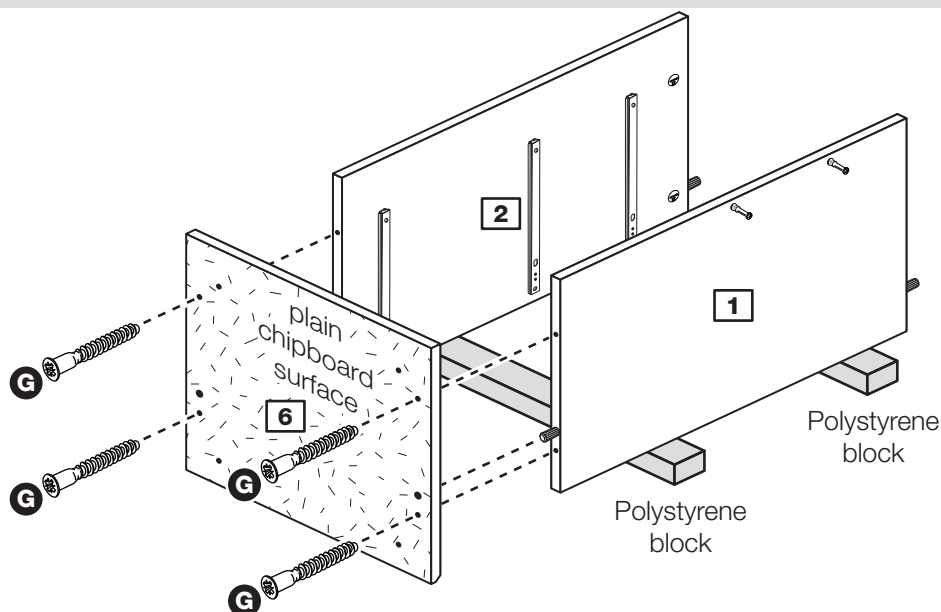
Assembly Instructions

Step 18

Fit the base

Fit the base **6** onto the side panels **1** and **2** using 4 screws **G**.

Note: To make it easier to fit the base panel, place polystyrene blocks from the packaging underneath the side panels to raise the assembly.

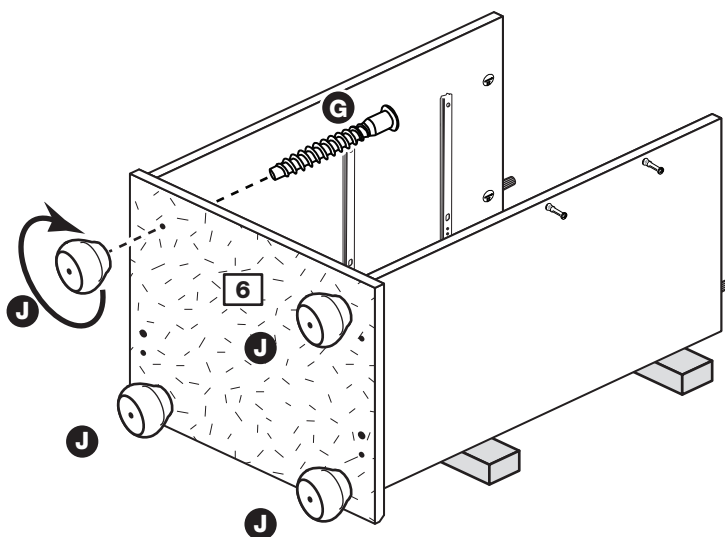


Step 19

Fit the 4 feet

Fit the 4 feet **J** to the base **6** using screws **G**.

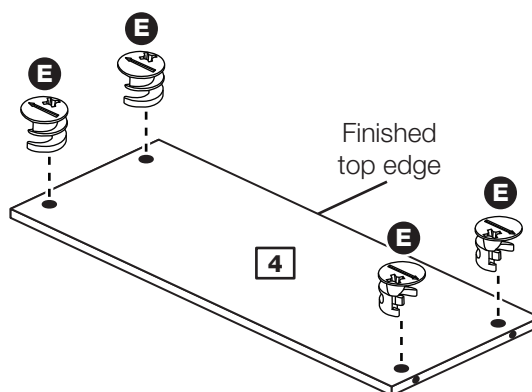
Note: You may find it easier to turn the foot as the screw is held with the screwdriver.



Step 20

Prepare the modesty

Insert 4 large locking nuts **E** into the modesty **4**.



Assembly Instructions

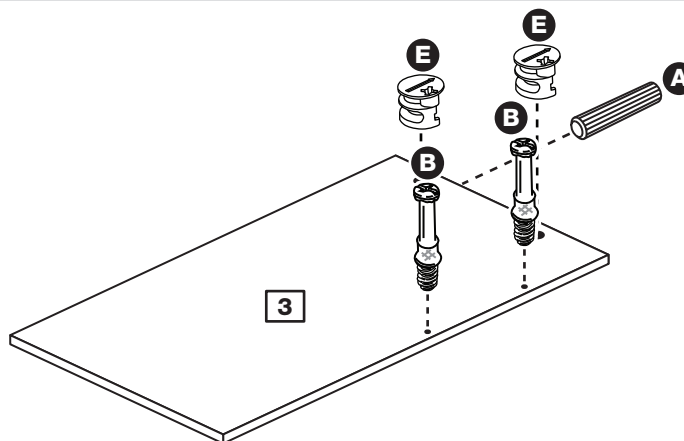
Step 21

Prepare the fly end

Insert 2 large locking nuts **E** into the fly end **3**.

Screw 2 metal dowels **B** into the fly end **3**.

Tap a wooden dowel **A** into the fly end **3**.

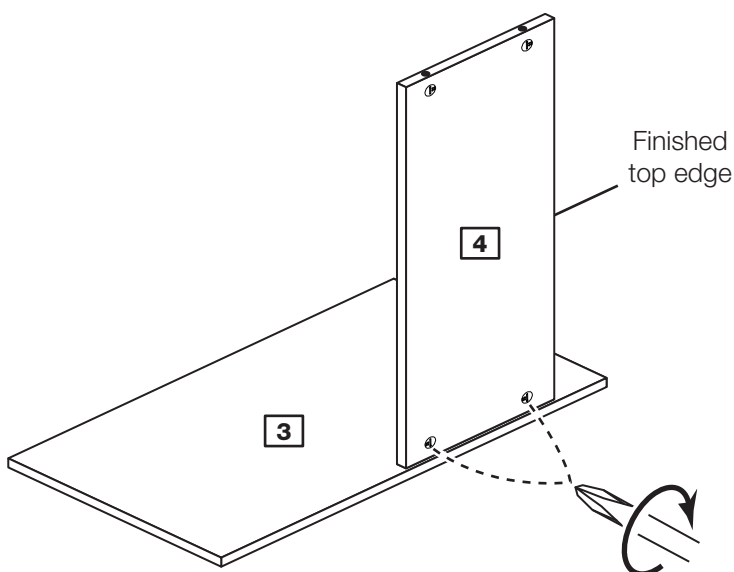


Step 22

Join the fly end and modesty

Push the modesty **4** onto the fly end **3**.

Use a screwdriver to tighten the 2 large locking nuts **E** fitted to the modesty **4**.



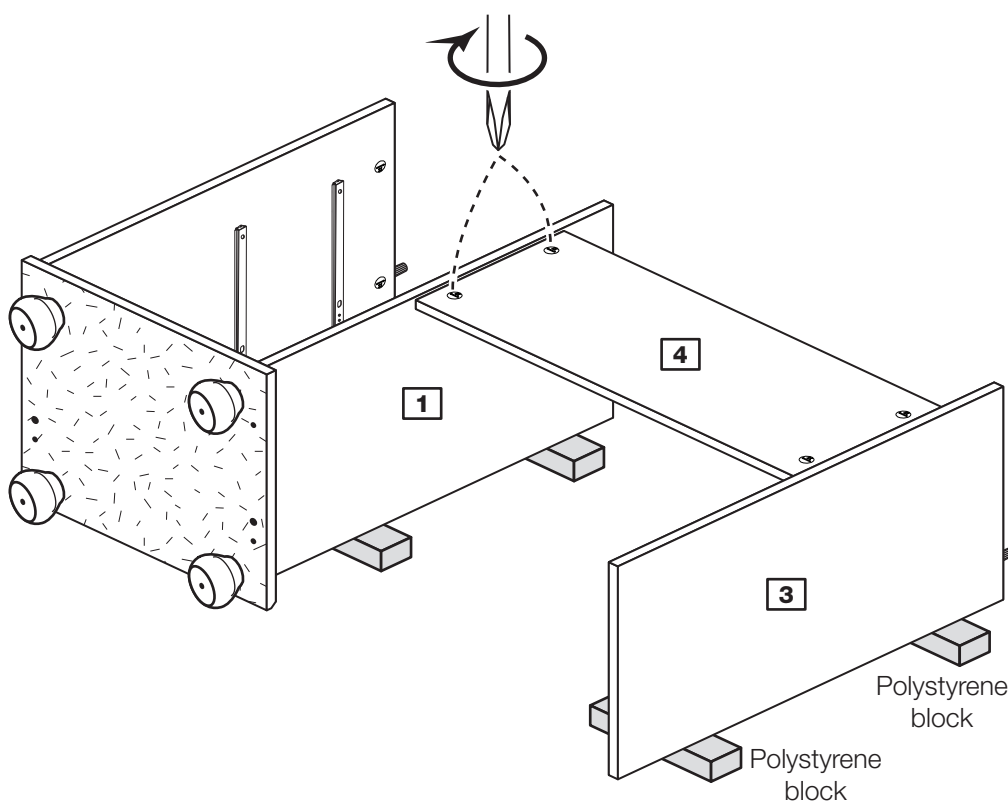
Step 23

Fit the modesty and fly end

Push the modesty **4** and fly end **3** assembly onto the left side **1**.

Use a screwdriver to tighten the 2 large locking nuts **E** fitted to the modesty **4**.

Note: Place polystyrene blocks underneath the fly end.



Assembly Instructions

Step 24

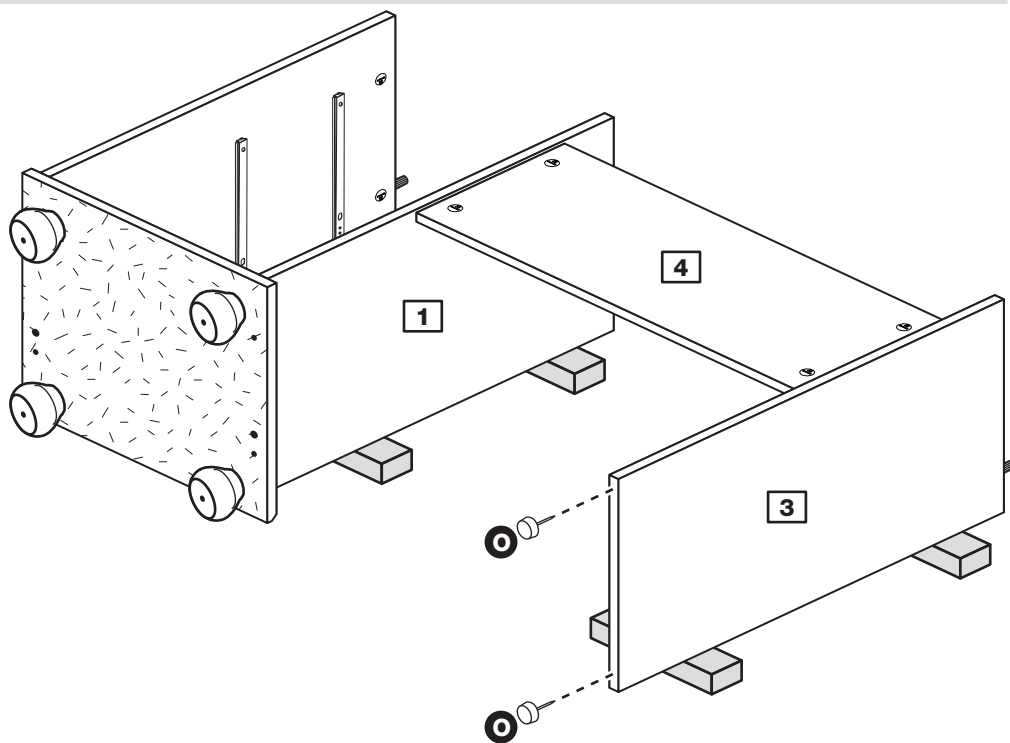
Fit 2 plastic nails

Tap 2 plastic nails **O** into the bottom edge of the fly end **3** as shown.

Using 2 people, carefully stand the unit up.



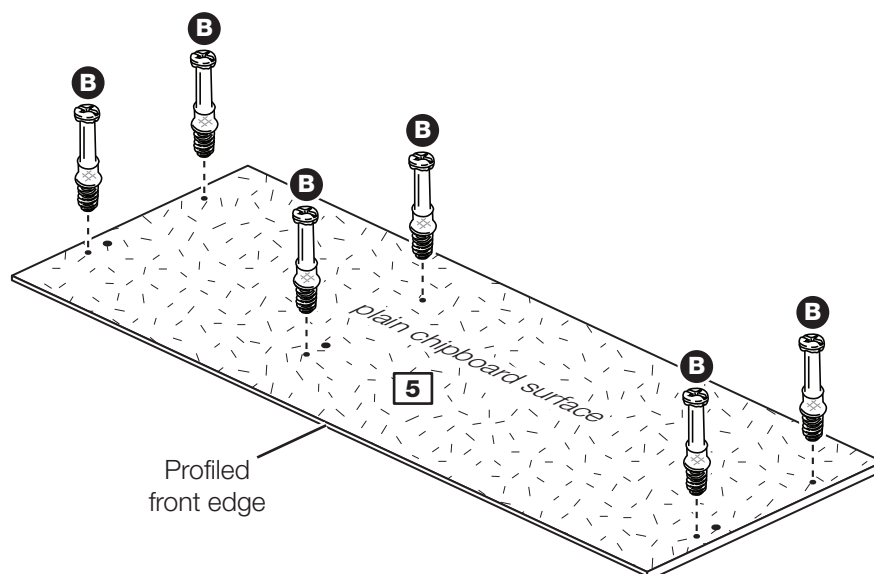
Warning: The unit is heavy. Lift with care.



Step 25

Prepare the top

Screw 6 metal dowels **B** into the underside of the top **5**.



Assembly Instructions

Step 26

Fit the top

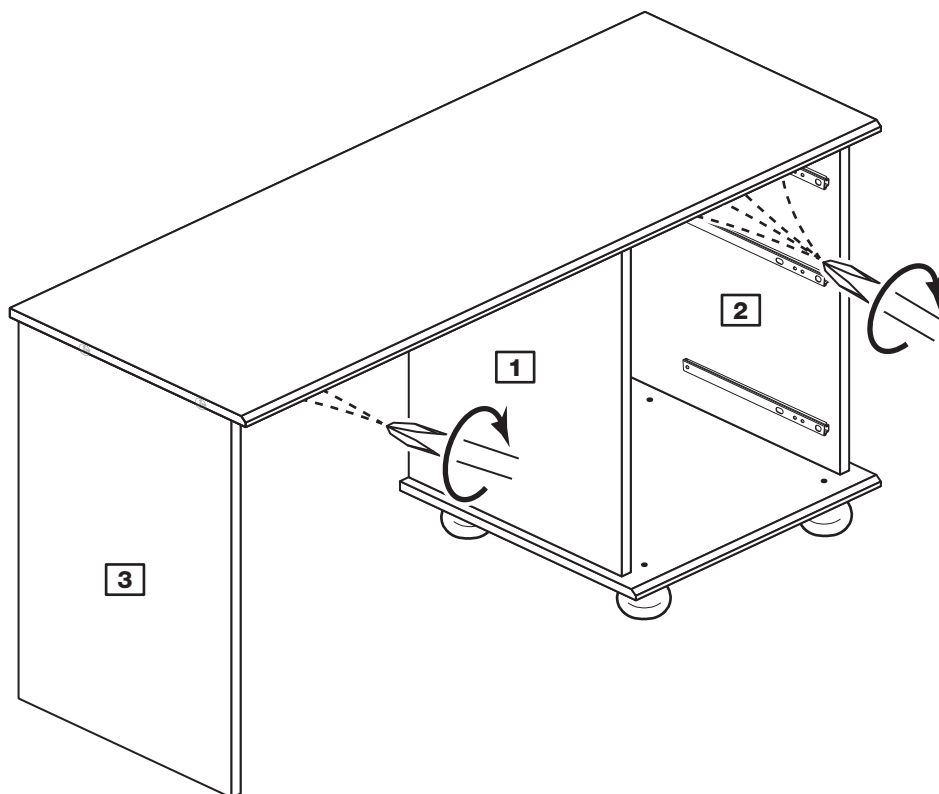
Lower the top **5** down onto the assembly.

Use a screwdriver to tighten the 6 large locking nuts **E** fitted to the left side **1**, right side **2** and fly end **3**.

Using 2 people, carefully lay the unit back down onto its front edges.



Warning: The unit is heavy. Lift with care.



Step 27

Fit the back

a: Square up the unit by making sure that measurement **x to x** equals **y to y**.

b: Place the back **16** onto the unit.

Nail **D** around the outside edges of the back **16**.

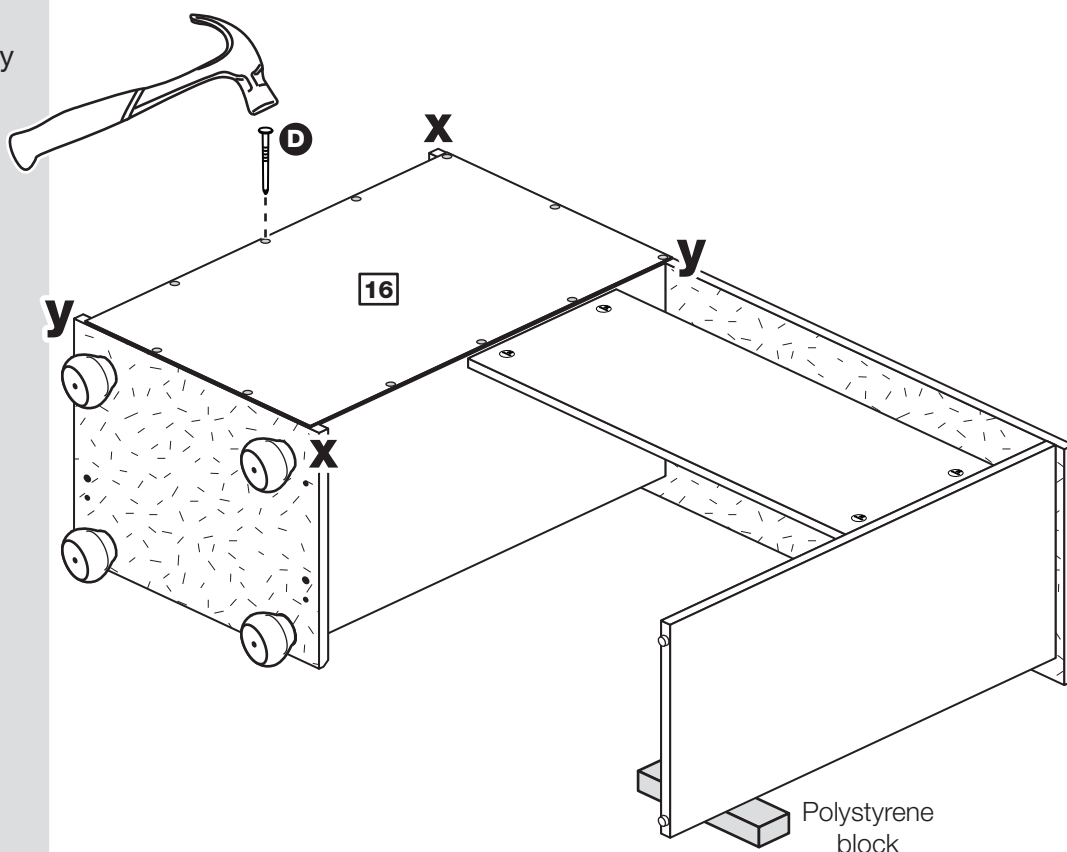
Note: Nails should be spaced out evenly.

Using 2 people, carefully stand the unit up again.



Warning: The unit is heavy. Lift with care.

a: The measurement from top corner X to bottom corner X must be equal to the measurement from top corner Y to bottom corner Y



Assembly Instructions

Step 28

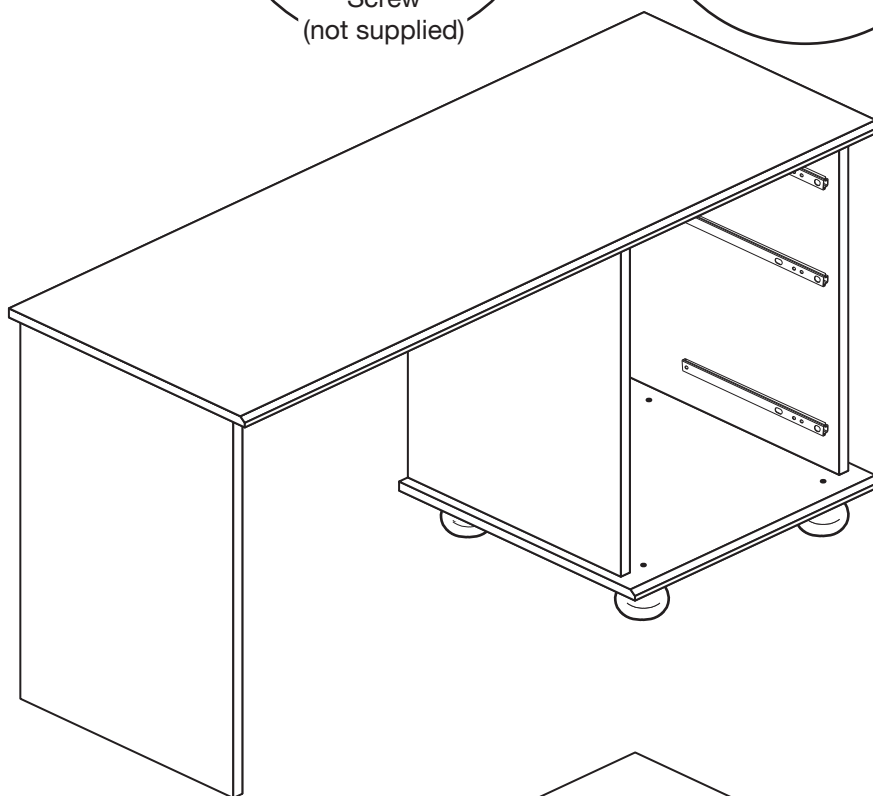
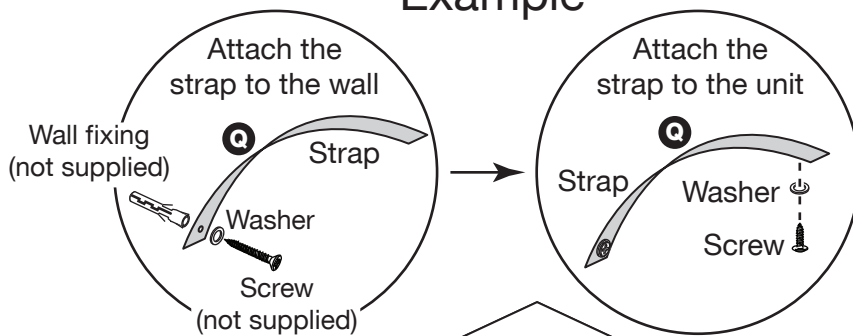
Fit the overbalance protector

To prevent possible overbalancing we recommend that this unit is secured to a suitable wall by use of the overbalance protector kit **Q** fitted to the unit or, an alternative fixing method of your choice.

Wall fixings are not supplied as they will need to suit the wall type.

Note: Take care when drilling the wall that you do not drill into any pipes, wires etc. If in doubt, consult an expert.

Example



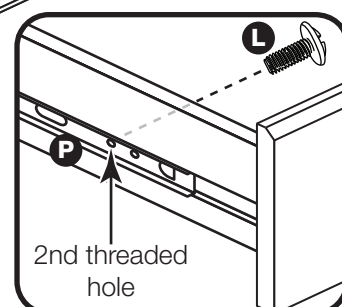
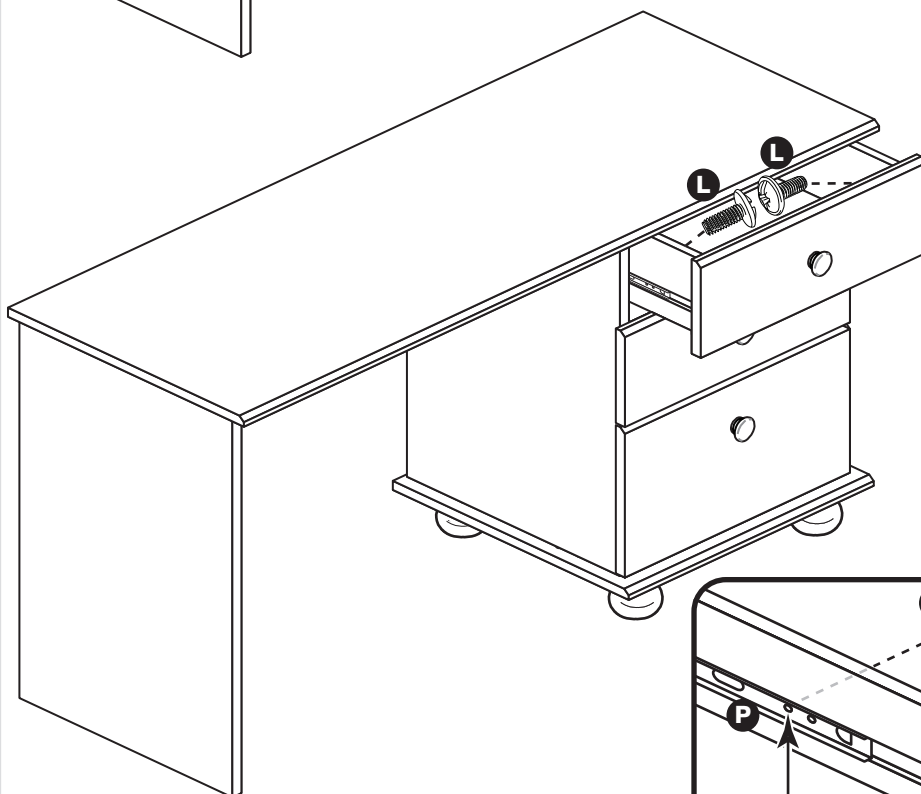
Step 29

Fit the drawers

Starting with the large bottom drawer, slide both the runners **P** forward and locate the drawer sides between them, lining up the holes in the drawer sides with the 2nd 'threaded' holes in the runners **P**.

Working from the inside of the drawer, insert 2 screws **L** through the sides and out into the 2nd threaded hole in the runner.

Note: Do not over-tighten the screws **L. If they catch on the runner you may need to loosen them slightly.**

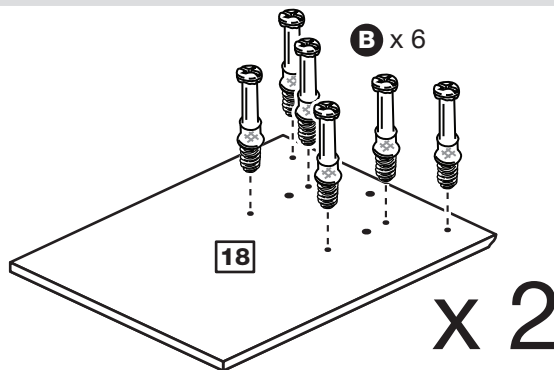


Assembly Instructions

Step 30

Prepare the 2 stool sides

Screw 6 metal dowels **B** into each of the 2 stool sides **18**, as shown.

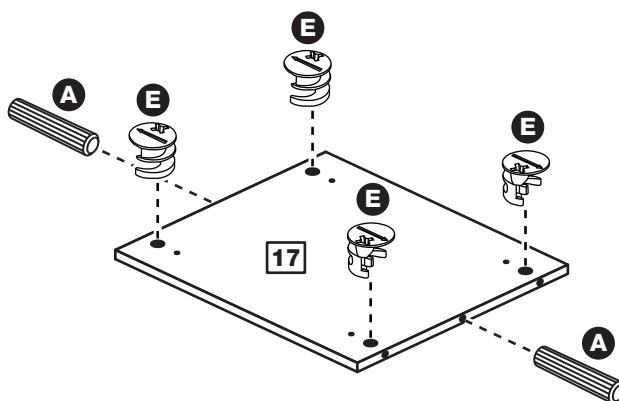


Step 31

Prepare the stool base

Insert 4 large locking nuts **E** into the holes in the stool base **17**.

Tap 2 wooden dowels **A** into the ends of the stool base **17**.



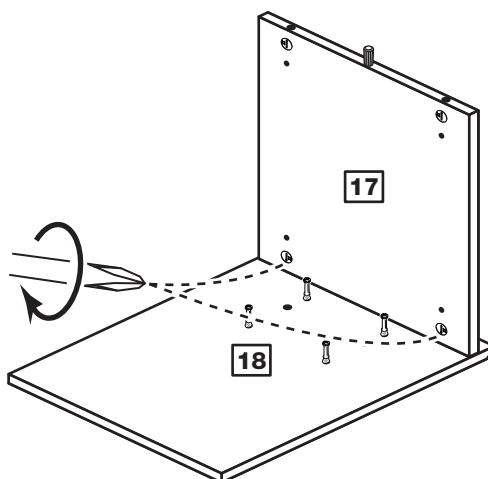
Step 32

Fit a stool side to the stool base

Fit one of the stool sides **18** to the stool base **17**.

Use a screwdriver to tighten the 2 large locking nuts **E** fitted to the stool base **17**.

Note: Turn the large locking nuts **E** as far as they will go - more than 1/2 a turn.



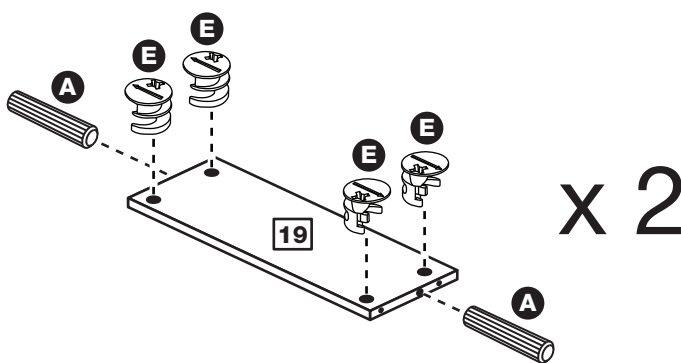
Assembly Instructions

Step 33

Prepare the 2 stool rails

Insert 4 large locking nuts **E** into each of the 2 stool rails **19**.

Tap 2 wooden dowels **A** into each stool rail **19**.

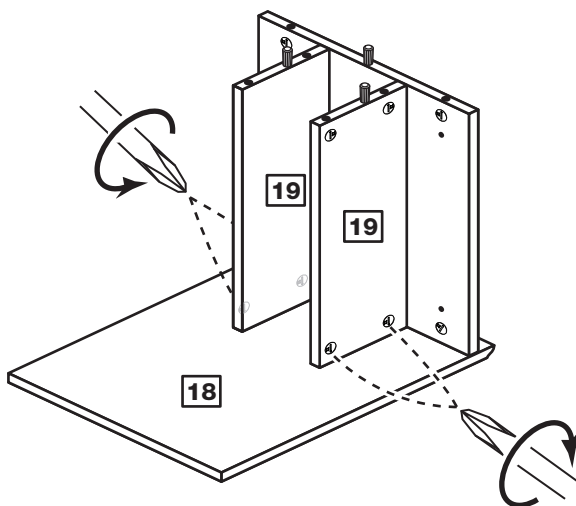


Step 34

Fit the stool rails

Push the 2 stool rails **19** down onto the stool side **18** as shown.

Use a screwdriver to tighten the 2 large locking nuts **E** fitted to each stool rail **19**.



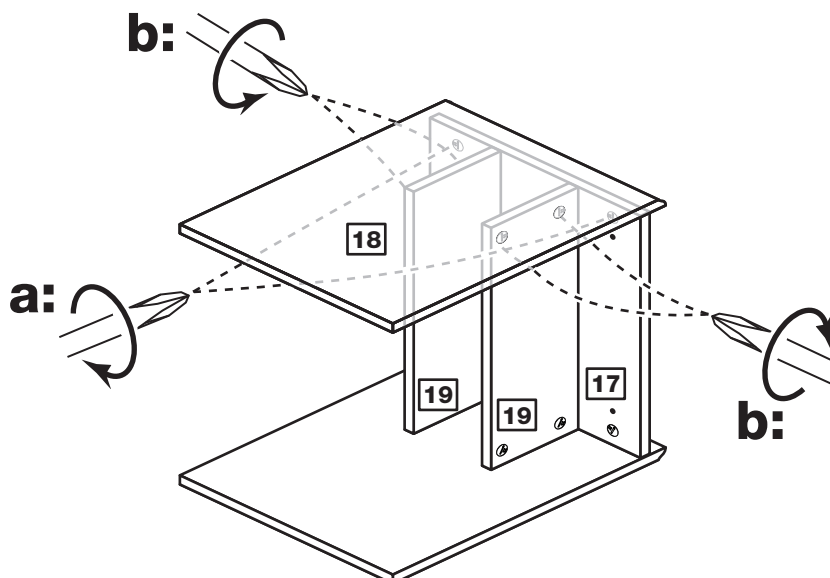
Step 35

Fit the other stool side

a: Push the other stool side **18** down onto the assembly, as shown.

Use a screwdriver to tighten the 2 large locking nuts **E** fitted to the stool base **17**.

b: Use a screwdriver to tighten the 2 large locking nuts **E** fitted to each of the stool rails **19**.



Assembly Instructions

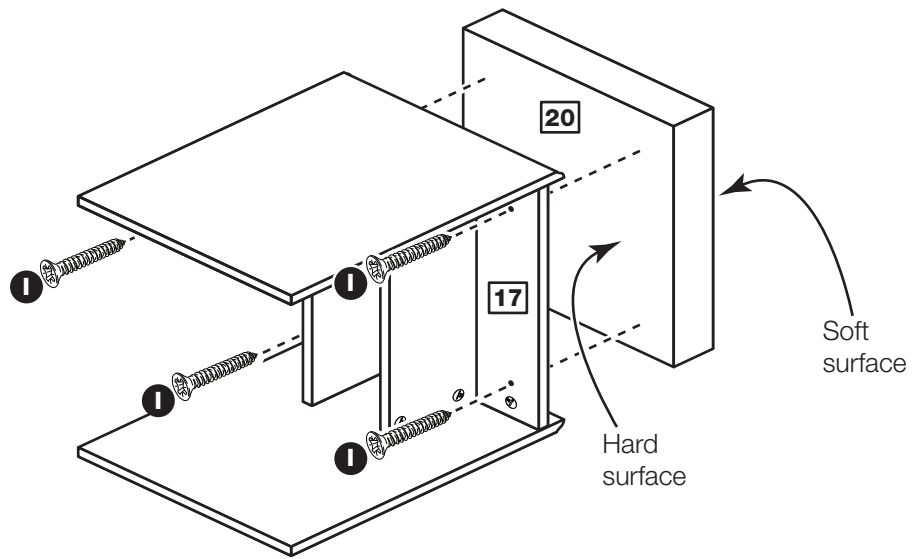
Step 36

Fit the seat pad

Position the seat pad **20** onto the assembly and make sure that its 4 edges line up with the stool base **17**.

Hold the seat pad **20** in position and screw up through the 4 holes in the stool base **17** using screws **1**.

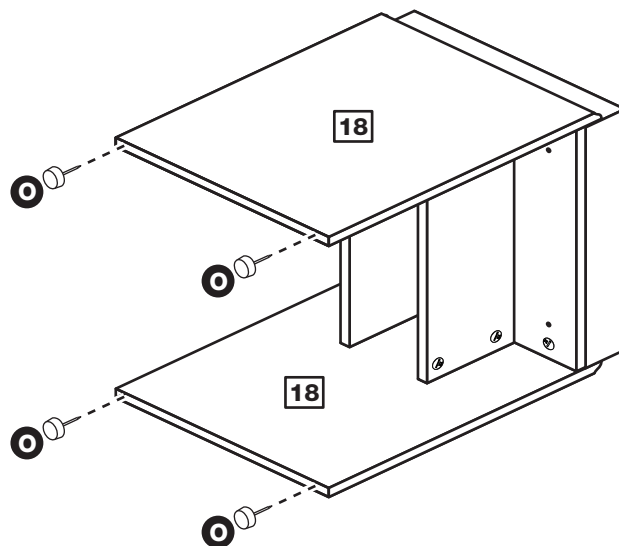
Note: Make sure that you screw into the hard surface of the seat pad.



Step 37

Fit the 4 plastic nails

Tap 2 plastic nails **18** into the bottom edge of each stool side **18** as shown.



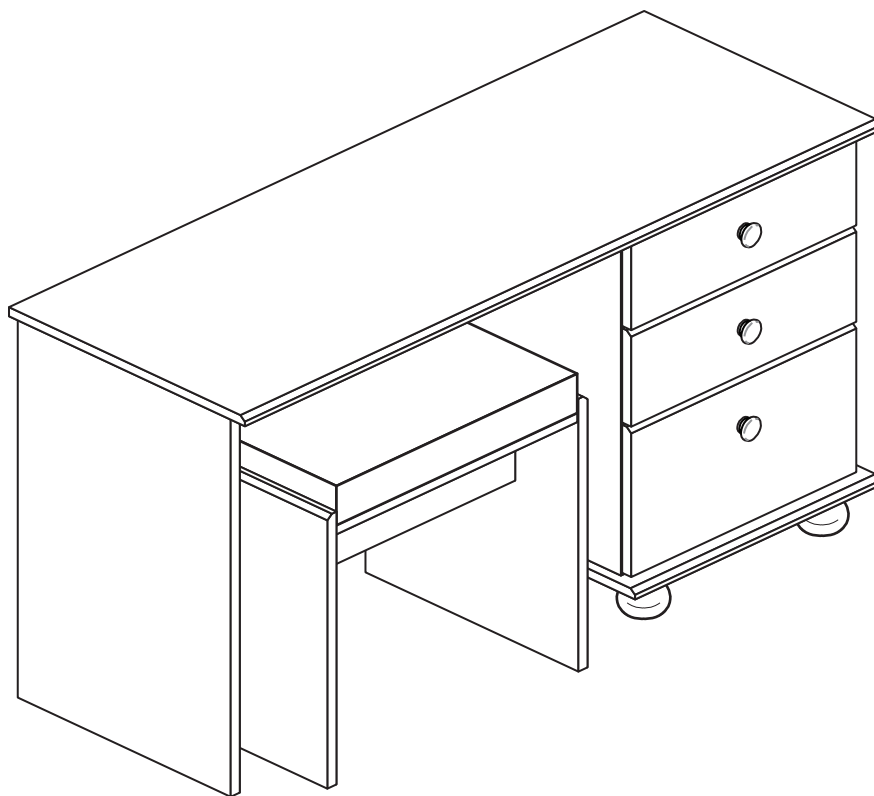
Assembly Instructions

Step 38

Assembly is complete



Warning: The unit is heavy. Lift with care.



If you need help or have damaged or missing parts, call the **Customer Helpline: 03456 400800** and quote the reference numbers on the component pages.

Argos Ltd, 489-499 Avebury Boulevard, Central Milton Keynes, MK9 2NW