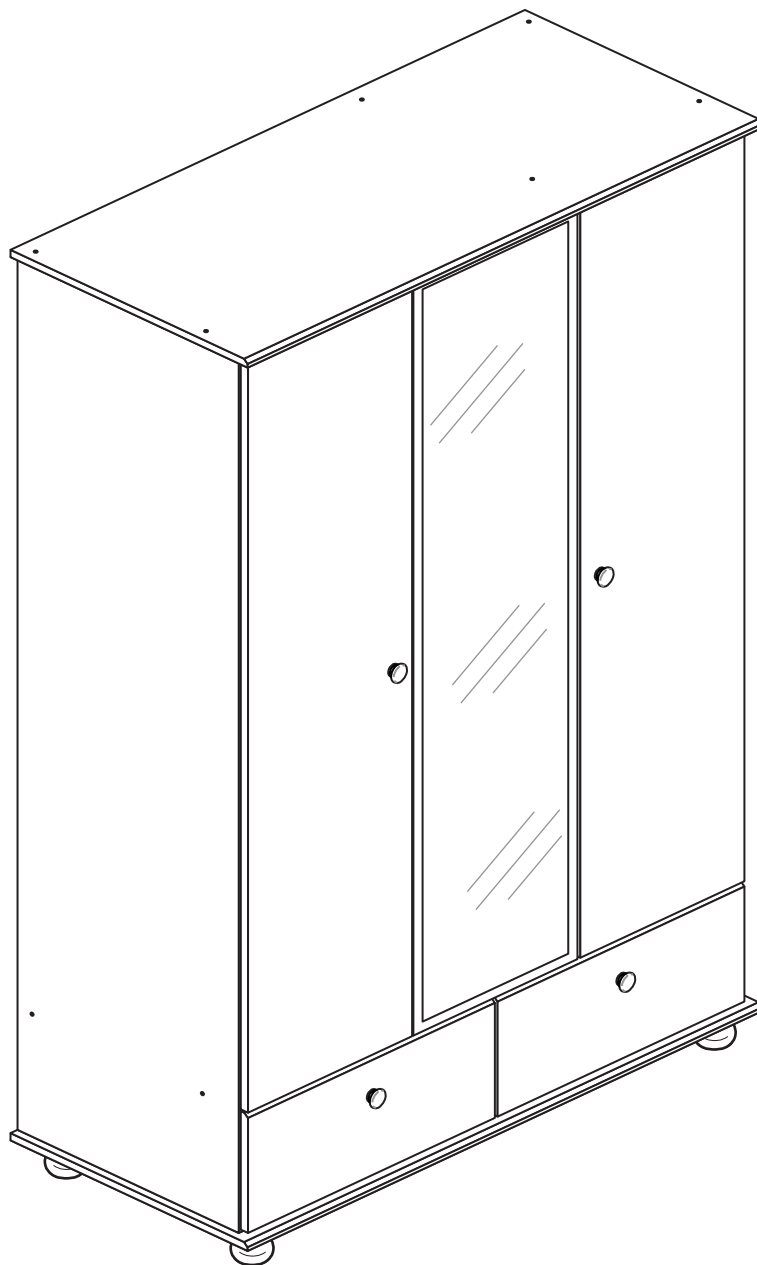


# Stirling - 2 Drawer 3 Door Mirrored Robe

Assembly Instructions - Please keep for future reference

339/3130

330/9409



## Dimensions

Width - 106.5cm

Depth - 49cm

Height - 189cm



**MADE IN  
BRITAIN**

**Important** - Please read these instructions fully before starting assembly

If you need help or have damaged or missing parts, call the **Customer Helpline: 08456 400800**



# Safety and Care Advice

**Important - Please read these instructions fully before starting assembly**

- **Warning:** This unit weighs approximately 74kgs. Please lift with care.
- Check you have all the components and tools listed on pages 2 and 3.
- Remove all fittings from the plastic bags and separate them into their groups.
- Keep children and animals away from the work area, small parts could choke if swallowed.
- Parts of the assembly will be easier with 2 people.

- Make sure you have enough space to layout the parts before starting.
- Do not stand or put weight on the product, this could cause damage.
- Assemble the item as close to its final position (in the same room) as possible.
- Assemble on a soft level surface to avoid damaging the unit or your floor (use opened out unit carton).



- We do not recommend the use of power drill/drivers **for inserting screws**, as this could damage the unit. Only use hand screwdrivers.

- **Safety note:** It is recommended that this unit is secured to a wall using the bracket supplied.

- Dispose of all packaging carefully and responsibly.

## Care and maintenance

- Only clean using a damp cloth and mild detergent, do no use bleach or abrasive cleaners.
- From time to time check that there are no loose screws on this unit.
- This product should not be discarded with household waste. Take to your local authority waste disposal centre.

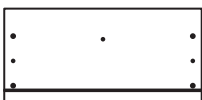
## Tools required

Rule	Spirit level	Bradawl	Cross-head screwdriver	Eye protection (when using a hammer or drill)	Electric drill (do not use for fitting screws)
Square	Scissors	Hammer	Step ladder		

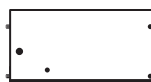
## Components - Panels

If you have damaged or missing components, call the **Customer Helpline: 08456 400800** quoting the reference numbers below

Please check you have all the panels listed below



**1** Drawer Front (D3026A)  
(510 x 245mm) x 2



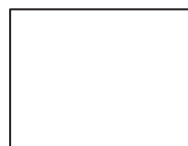
**2** Left Drawer Side (W370-195LH)  
(370 x 195mm) x 2



**3** Right Drawer Side (W370-195RH)  
(370 x 195mm) x 2



**4** Drawer Back (W457-195)  
(457 x 195mm) x 2

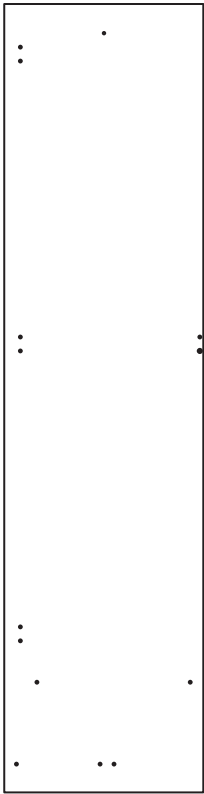


**5** Drawer Base (T468-367)  
(468 x 367mm) x 2

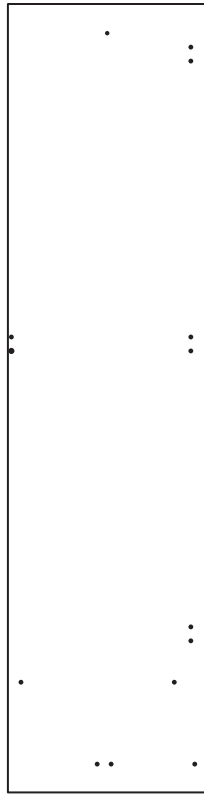
# Components - Panels

If you have damaged or missing components, call the  
**Customer Helpline: 08456 400800** quoting the reference  
 numbers below

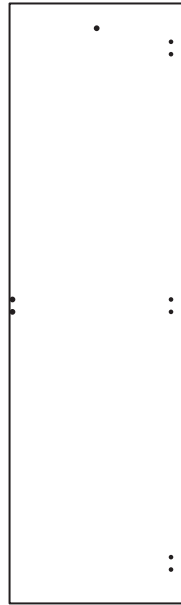
Please check you have all the panels listed below



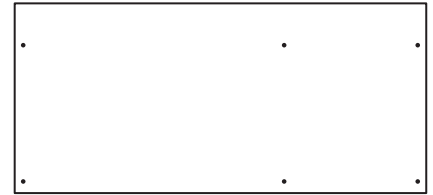
**6** Left Side (D3016A)  
(1810 x 457mm)



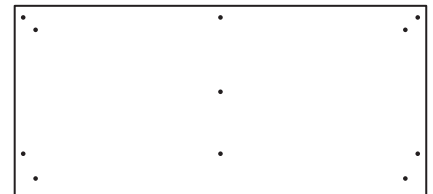
**7** Right Side (D3017A)  
(1810 x 457mm)



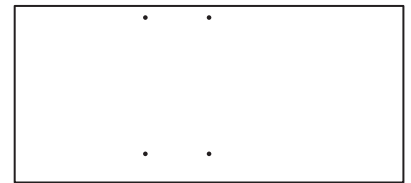
**8** Upright (D3022A)  
(1549.5 x 453mm)



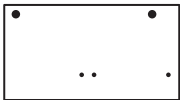
**9** Top (D3021A)  
(1063 x 490mm)



**10** Base (D3023B)  
(106.5 x 490mm)



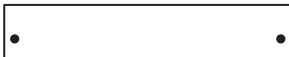
**11** Horizontal (D3024A)  
(1004 x 456mm)



**12** Divider (D3025A)  
(245.5 x 452mm)



**13** Small Back Rail (D3027A)  
(330 x 123mm)



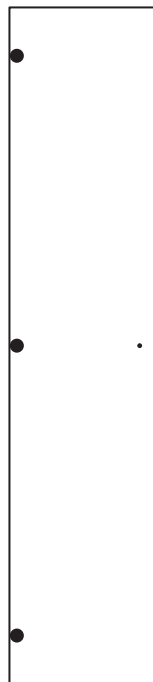
**14** Large Back Rail (D3020A)  
(659 x 123mm)



**15** Small Hanging  
Rail (FHR322)  
(322mm long)



**16** Large Hanging  
Rail (FHR651)  
(651mm long)

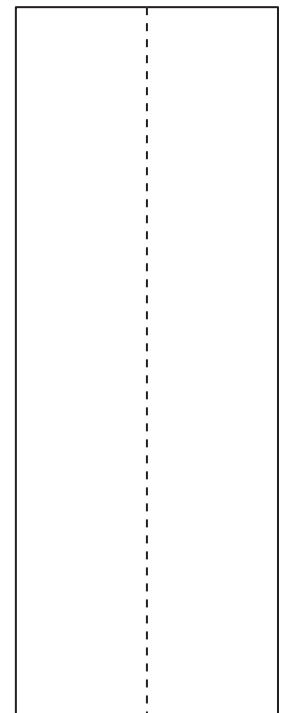


**17** Door (D3019A)  
(1553 x 339mm) x 2

**18** Mirror Door (D3019MA)  
(1553 x 339mm)  
(Mirror - SG28  
1513 x 301mm  
Safety Back SAR)



**19** Small Back (X1836-349)  
(1836 x 349mm)



**20** Large Back (X1836-677)  
(1836 x 677mm)


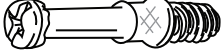






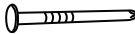





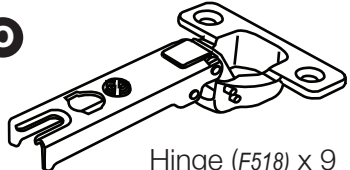


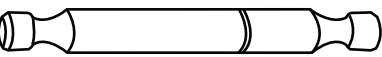

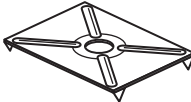


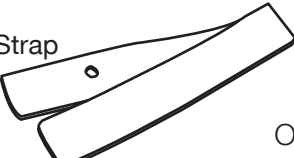




# Components - Fittings

If you have damaged or missing components, call the **Customer Helpline: 08456 400800** quoting the reference numbers below

Please check you have all the fittings listed below

**Note:** The quantities below are the correct amount to complete the assembly. In some cases more fittings may be supplied than are required.

<p><b>A</b> </p> <p>Wooden dowel (F22) x 2</p>	<p><b>B</b> </p> <p>Metal dowel (F901) x 8</p>	<p><b>C</b> </p> <p>Small locking nut (F3) x 4</p>
<p><b>D</b> </p> <p>Large wooden dowel (F40) x 1</p>	<p><b>E</b> </p> <p>40mm Screw (F910) x 23</p>	<p><b>F</b> </p> <p>Large locking nut (F900) x 6</p>
<p><b>G</b> </p> <p>38mm Screw (F81) x 4</p>	<p><b>H</b> </p> <p>13mm Screw (F63) x 22</p>	<p><b>I</b> </p> <p>Nail x (F51) x 38</p>
<p><b>J</b> </p> <p>9mm Screw (F73) x 8</p>	<p><b>K</b> </p> <p>9mm Screw (F74) x 4</p>	<p><b>L</b> </p> <p>Knock-in Peg (F171GY) x 8</p>
<p><b>M</b> </p> <p>Foot (F340) x 5</p>	<p><b>N</b> </p> <p>Hinge plate (F523) x 9</p>	<p><b>O</b> </p> <p>Hinge (F518) x 9</p>
<p><b>P</b> </p> <p>Drawer runner (F1004) x 4</p>	<p><b>Q</b> </p> <p>Wedgefix (F639) x 4</p>	
<p><b>R</b> </p> <p>Double metal dowel (F566) x 1</p>	<p><b>S</b> </p> <p>Nail screw (F277) x 5</p>	<p><b>T</b> </p> <p>Back holder (F276) x 5</p> <p><b>*These can also be round</b></p>
<p><b>U</b> </p> <p>Rail holder (F1014) x 4</p>	<p><b>V</b> </p> <p>Handle (F463) x 4</p>	
<p><b>W</b>   Screw  Washer x 2</p> <p>Overbalance protector kit (F269) x 1</p>		

# Assembly Instructions

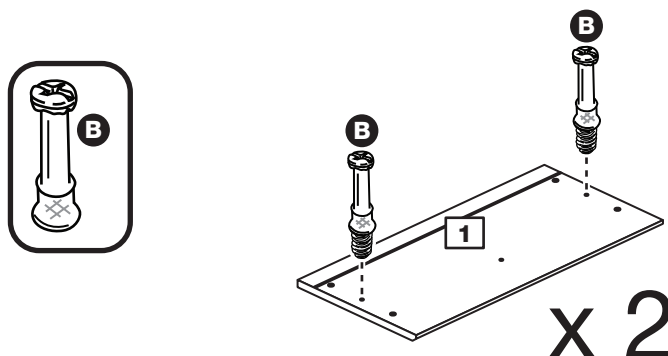
If you have damaged or missing components, call the  
**Customer Helpline: 08456 400800** quoting the reference  
numbers below

## Step 1

### Prepare the 2 drawer fronts

Screw 2 metal dowels **B** into each of the drawer fronts **1**.

**Note:** Tighten the metal dowels up fully against the panels.

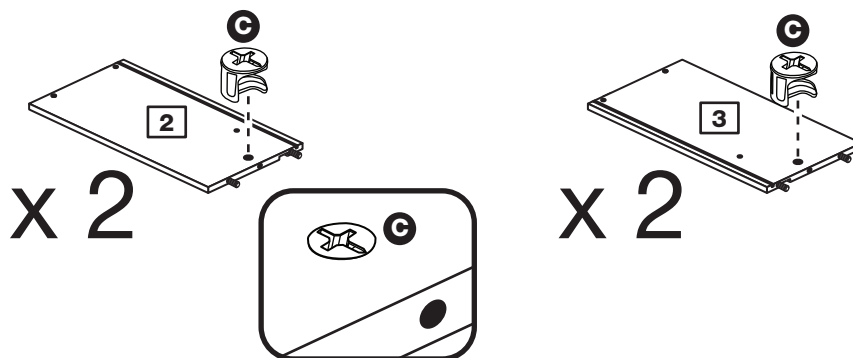


## Step 2

### Prepare the drawer sides

Insert a small locking nut **C** into the hole shown on the left drawer side **2** and the right drawer side **3**.

**Note:** The arrow on the locking nut **must** point towards the hole in the edge of the panel.



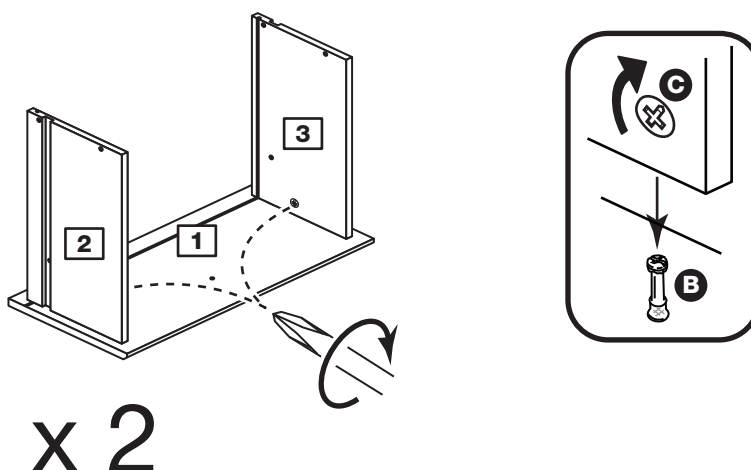
## Step 3

### Attach the drawer sides to the drawer fronts

Push the left drawer side **2** and right drawer side **3** onto the back of the drawer front **1**.

Turn the small locking nuts **C** on the left drawer side **2** and right drawer side **3**.

**Note:** Turn the locking nuts **C** clockwise to secure panels - more than 1/2 a turn.

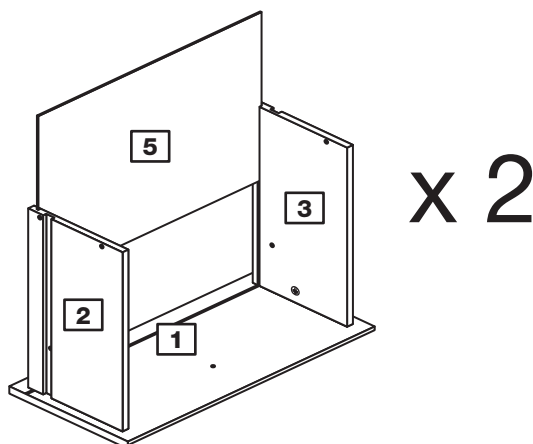


# Assembly Instructions

## Step 4

### Fit the drawer bases

Slide the drawer base **5** down the grooves in the drawer sides **2** and **3** and down into the groove in the drawer front **1**.

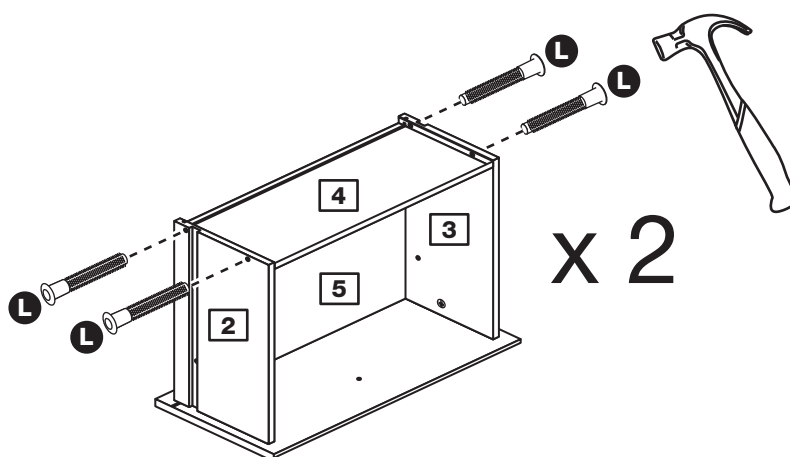


## Step 5

### Fit the drawer back

Fit the drawer back **4** between the drawer sides **2** and **3**. Make sure that the drawer base **5** fits into the groove in the drawer back **4**.

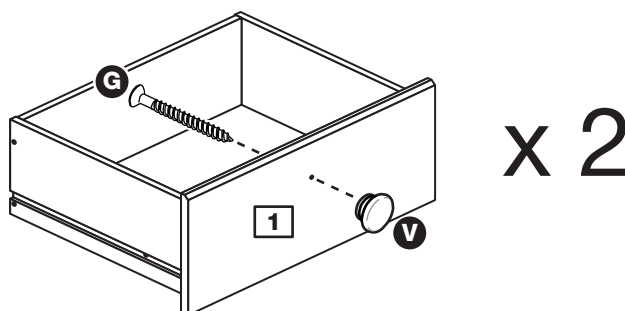
Hold the drawer back **4** in position and tap the knock-in pegs **L** through the holes in the drawer sides **2** and **3**.



## Step 6

### Attach the handles

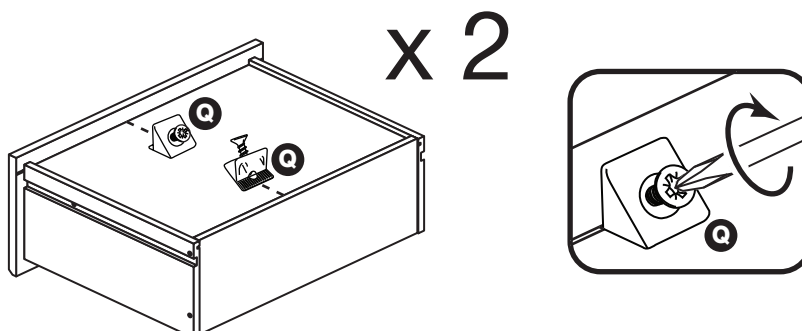
Attach a handle **V** to each drawer front **1** using screw **G**.



## Step 7

### Fit the wedgifixes

Turn the 2 drawer assemblies over and slide 2 wedgifixes **Q** into the front and back grooves, as shown, and tighten up the screws.



# Assembly Instructions

## Step 8

### Prepare the left side

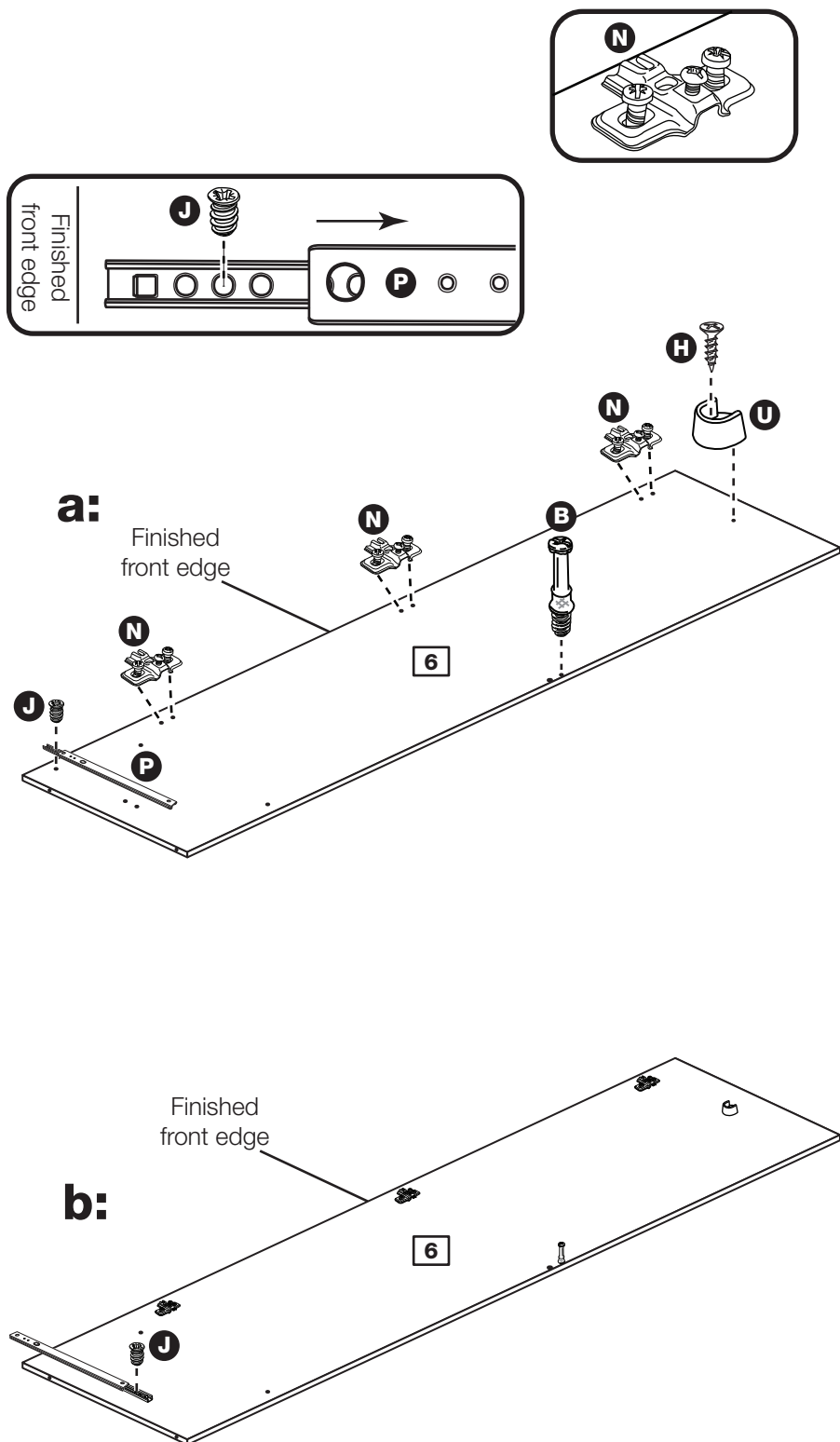
**a:** Fit 3 hinge plates **N** to the left side **6** making sure that the slot is facing towards the finished front edge.

Push a rail holder **U** into the left side **6**. Make sure that it is fitted straight, in line with the panel edges and then secure with screw **H**.

Place a runner **P** onto the left side **6**. Slide back the top of runner and use the 2nd hole from the front to fit the 1st screw **J**.

Screw a metal dowel **B** into the left side **6**.

**b:** Slide the runner **P** back the other way and fit the 2nd screw **J** into the corresponding hole in the left side **6**.



# Assembly Instructions

## Step 9

### Prepare the right side

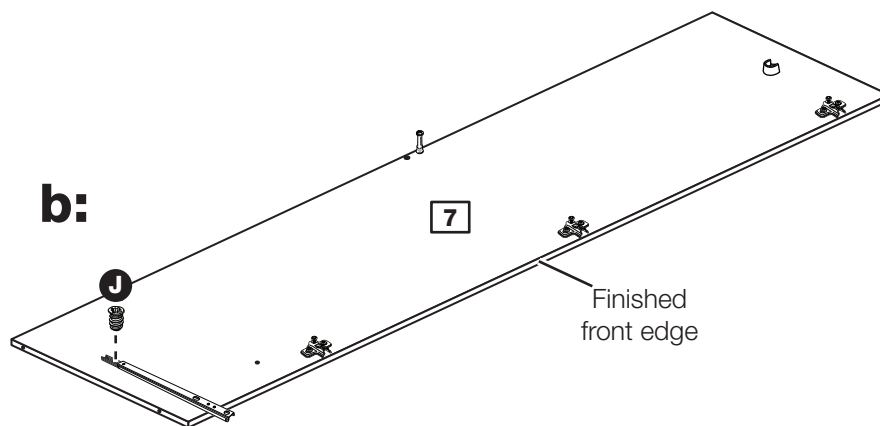
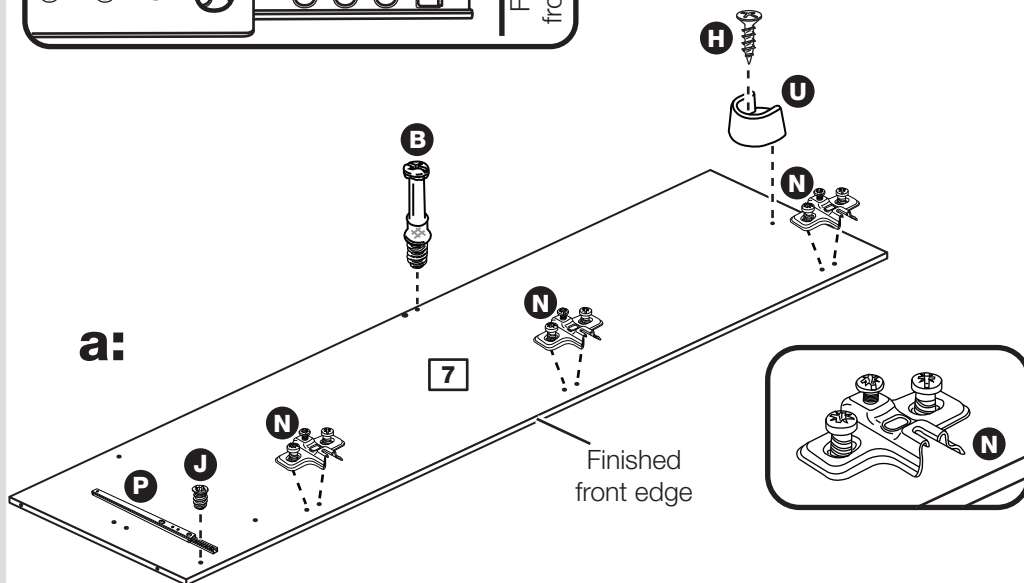
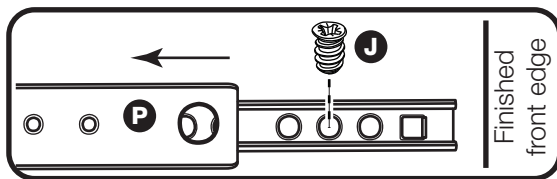
**a:** Fit 3 hinge plates **N** to the right side **7** making sure that the slot is facing towards the finished front edge.

Push a rail holder **U** into the right side **7**. Make sure that it is fitted straight, in line with the panel edges and then secure with screw **H**.

Place a runner **P** onto the right side **7**. Slide back the top of runner and use the 2nd hole from the front to fit the 1st screw **J**.

Screw a metal dowel **B** into the right side **7**.

**b:** Slide the runner **P** back the other way and fit the 2nd screw **J** into the corresponding hole in the right side **7**.



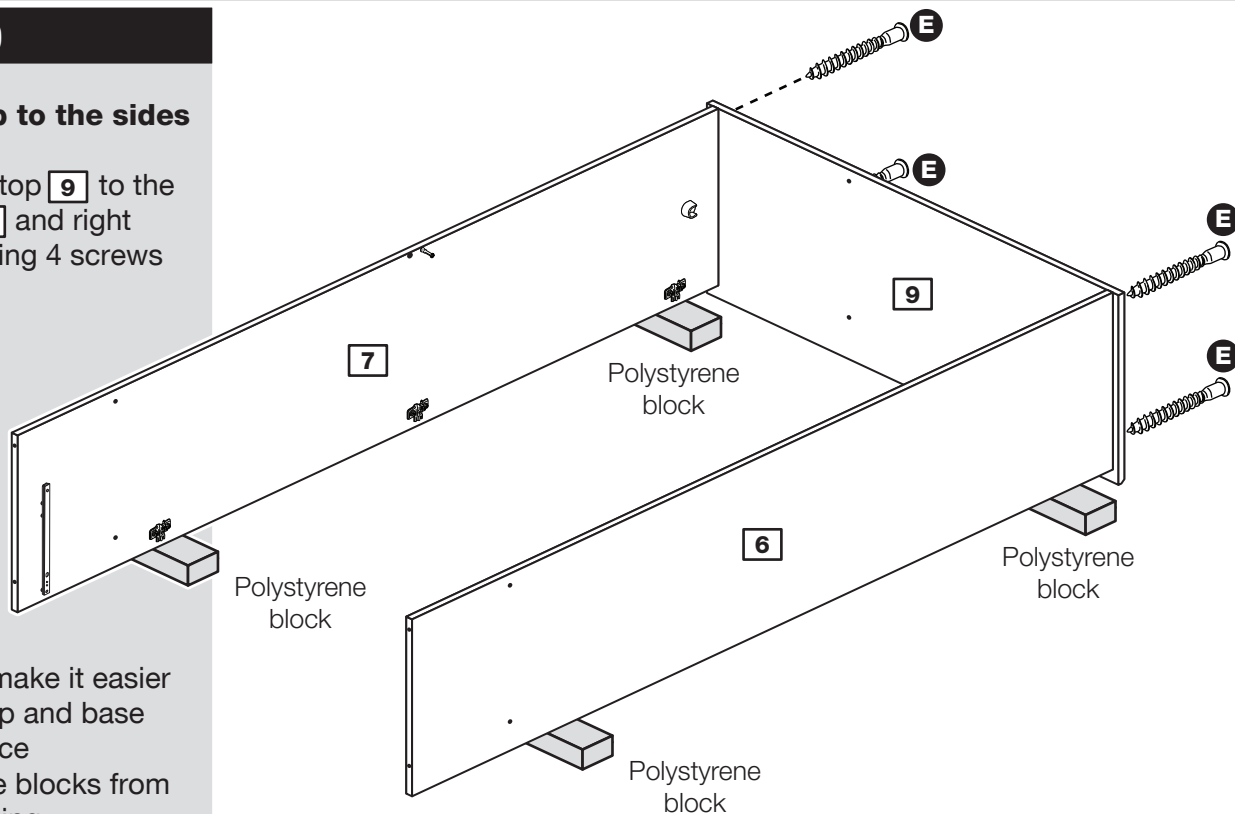


# Assembly Instructions

## Step 10

### Fit the top to the sides

Attach the top **9** to the left side **6** and right side **7** using 4 screws **E**.



**Note:** To make it easier to fit the top and base panels, place polystyrene blocks from the packaging underneath the side panels to raise the assembly.

## Step 11

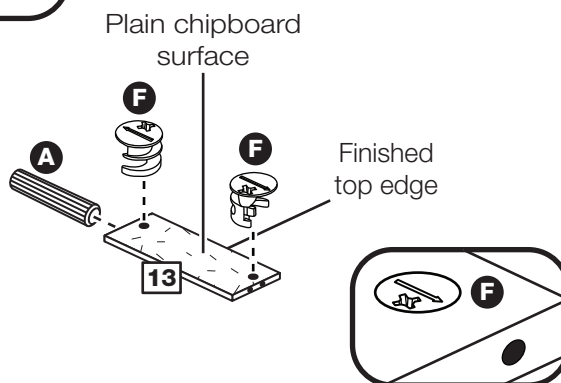
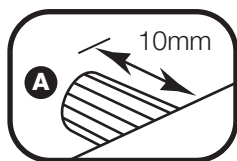
### Prepare the small back rail

Insert 2 large locking nuts **F** into the small back rail **13**.

**Note:** The arrow on the locking nut **must** point towards the hole in the edge of the panel.

Tap a wooden dowel **A** into the small back rail **13**.

**Note:** Wooden dowels **must not** stick out from the edge by more than 10mm or they may damage other panels.



# Assembly Instructions

## Step 12

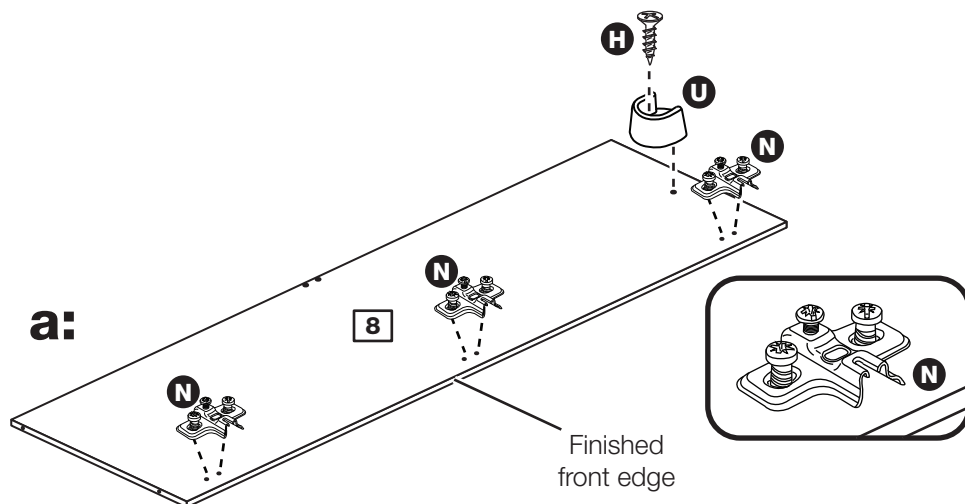
### Prepare the upright

**a:** Fit 3 hinge plates **N** to the upright **8** making sure that the slot is facing towards the finished front edge.

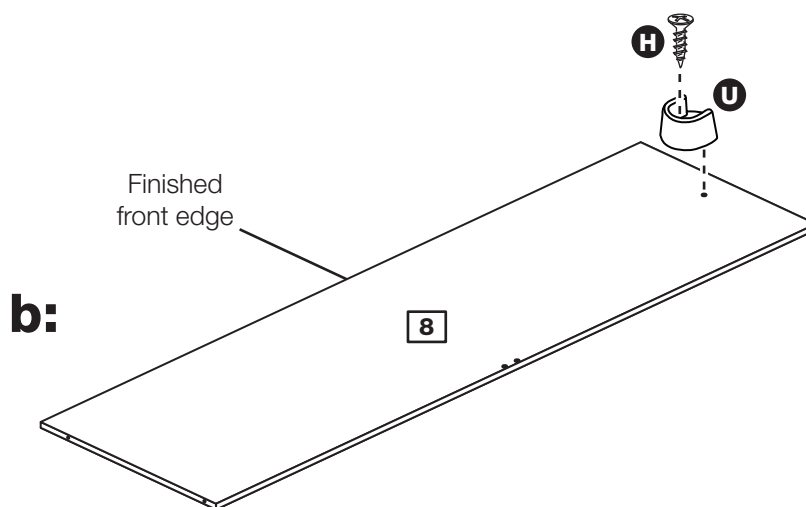
Push a rail holder **U** into the upright **8**. Make sure that it is fitted straight, in line with the panel edges and then secure with screw **H**.

### Turn the upright over

**b:** Push a rail holder **U** into the upright **8**. Make sure that it is fitted straight, in line with the panel edges and then secure with screw **H**.



**Turn the upright over**



# Assembly Instructions

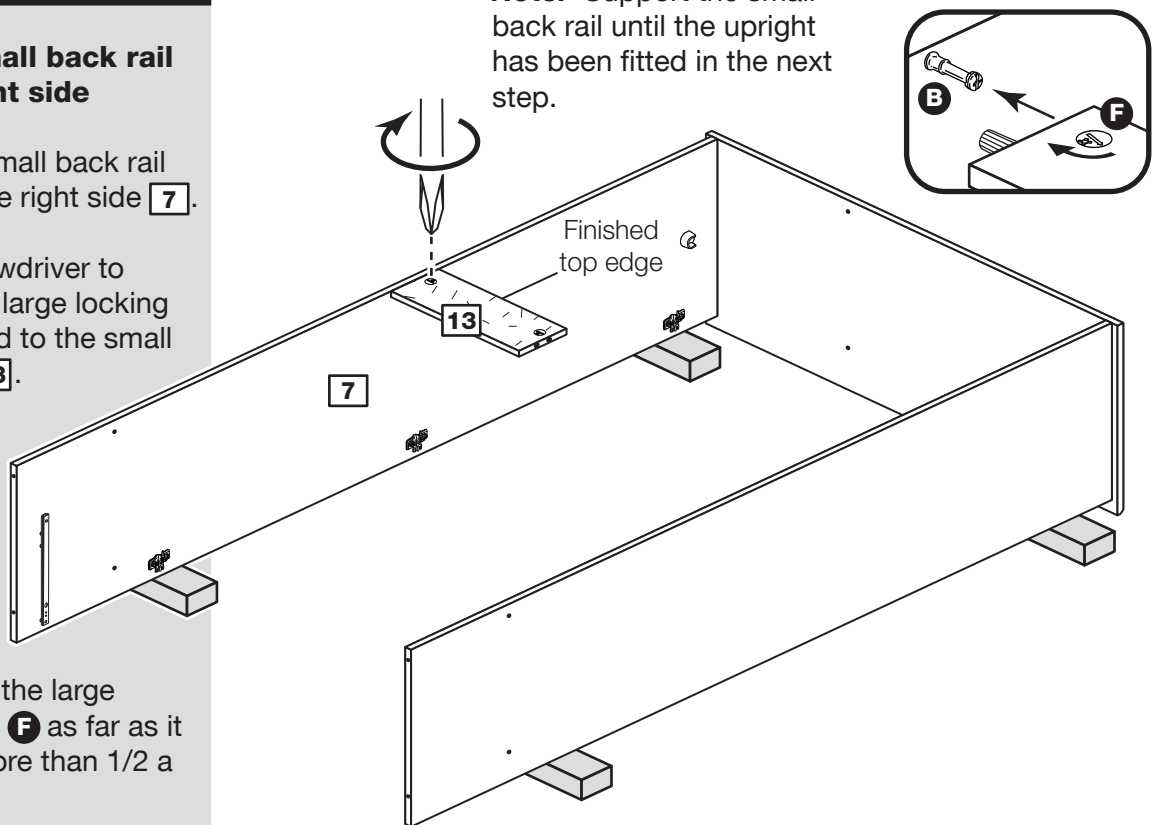
## Step 13

### Fit the small back rail to the right side

Push the small back rail **13** onto the right side **7**.

Use a screwdriver to tighten the large locking nut **F** fitted to the small back rail **13**.

**Note:** Support the small back rail until the upright has been fitted in the next step.



**Note:** Turn the large locking nut **F** as far as it will go - more than 1/2 a turn.

## Step 14

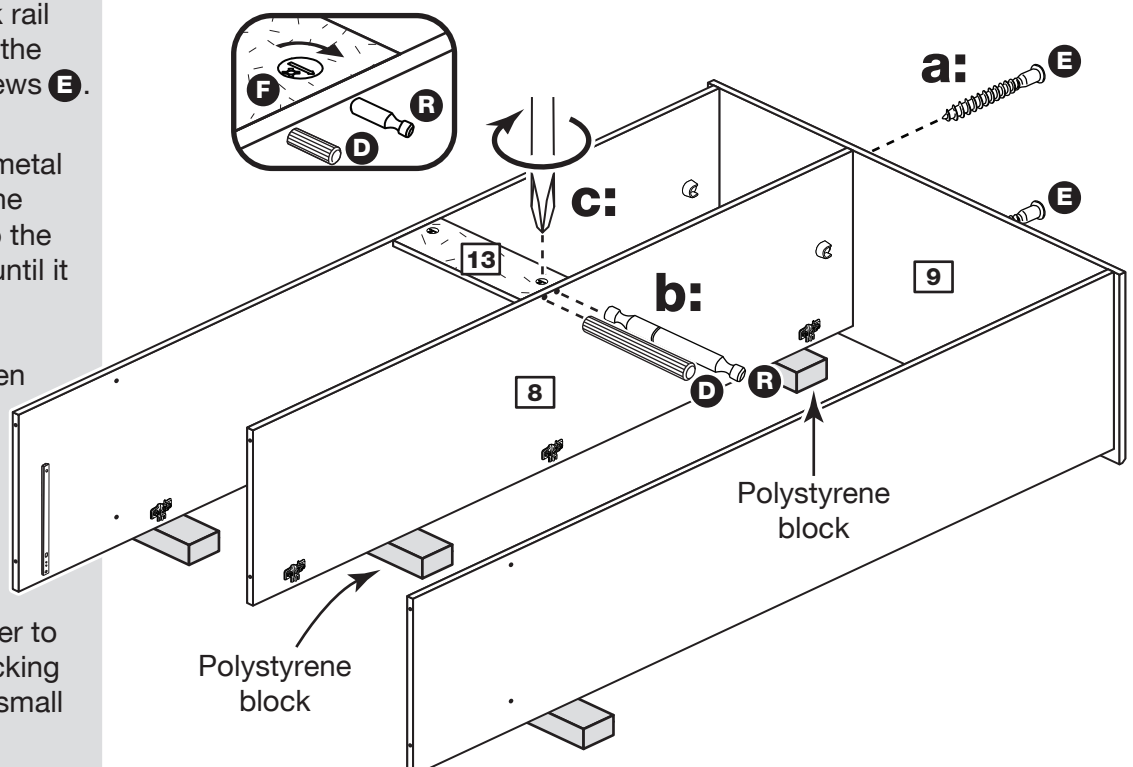
### Fit the upright

**a:** Push the upright **8** onto the small back rail **13** and attach it to the top **9** using 2 screws **E**.

**b:** Tap the double metal dowel **R** through the upright **8** and into the small back rail **13** until it "bottoms out".

Tap the large wooden dowel **D** through the upright **8** and into the small back rail **13** until it "bottoms out".

**C:** Use a screwdriver to tighten the large locking nut **F** fitted to the small back rail **13**.



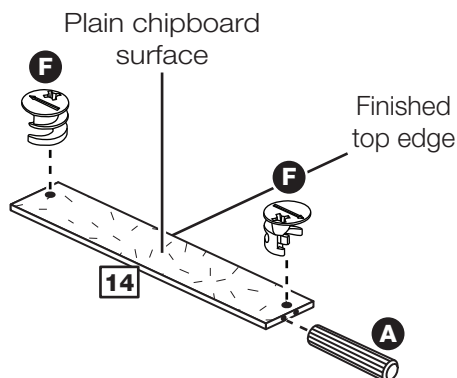
# Assembly Instructions

## Step 15

### Prepare the large back rail

Insert 2 large locking nuts **F** into the large back rail **14**.

Tap a wooden dowel **A** into the large back rail **14**.

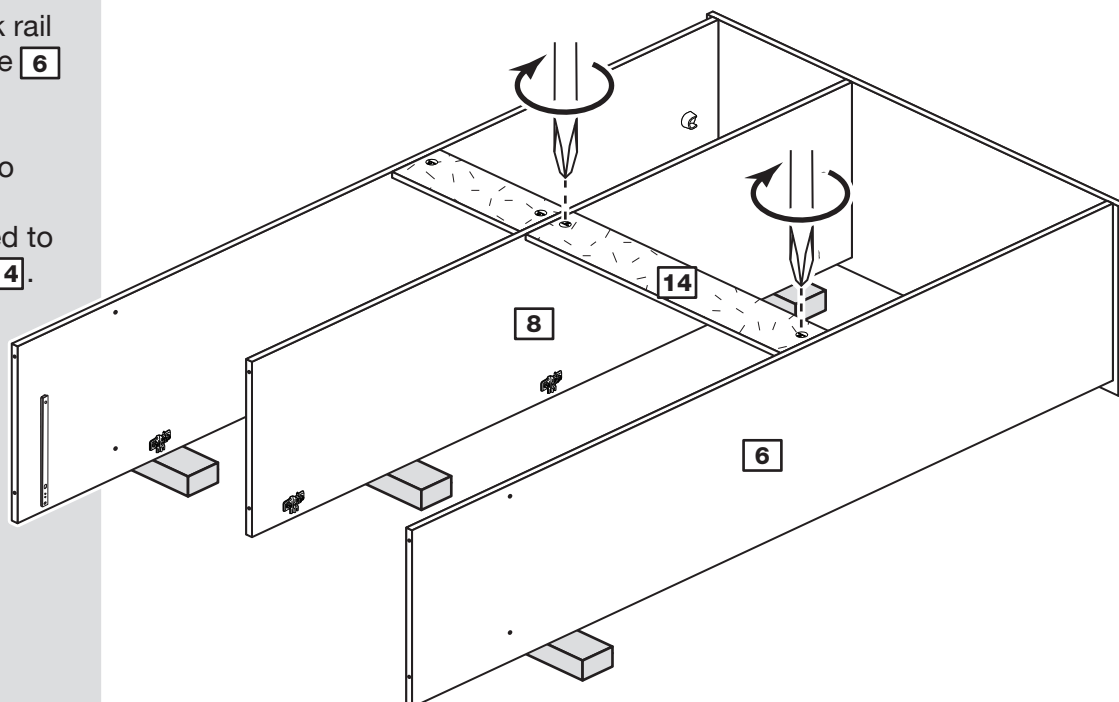


## Step 16

### Fit the large back rail

Push the large back rail **14** onto the left side **6** and upright **8**.

Use a screwdriver to tighten the 2 large locking nuts **F** fitted to the large back rail **14**.



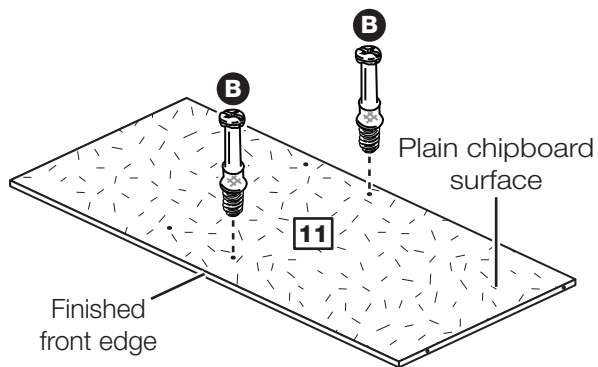
# Assembly Instructions

## Step 17

### Prepare the horizontal

Screw 2 metal dowels **B** into the horizontal **11**.

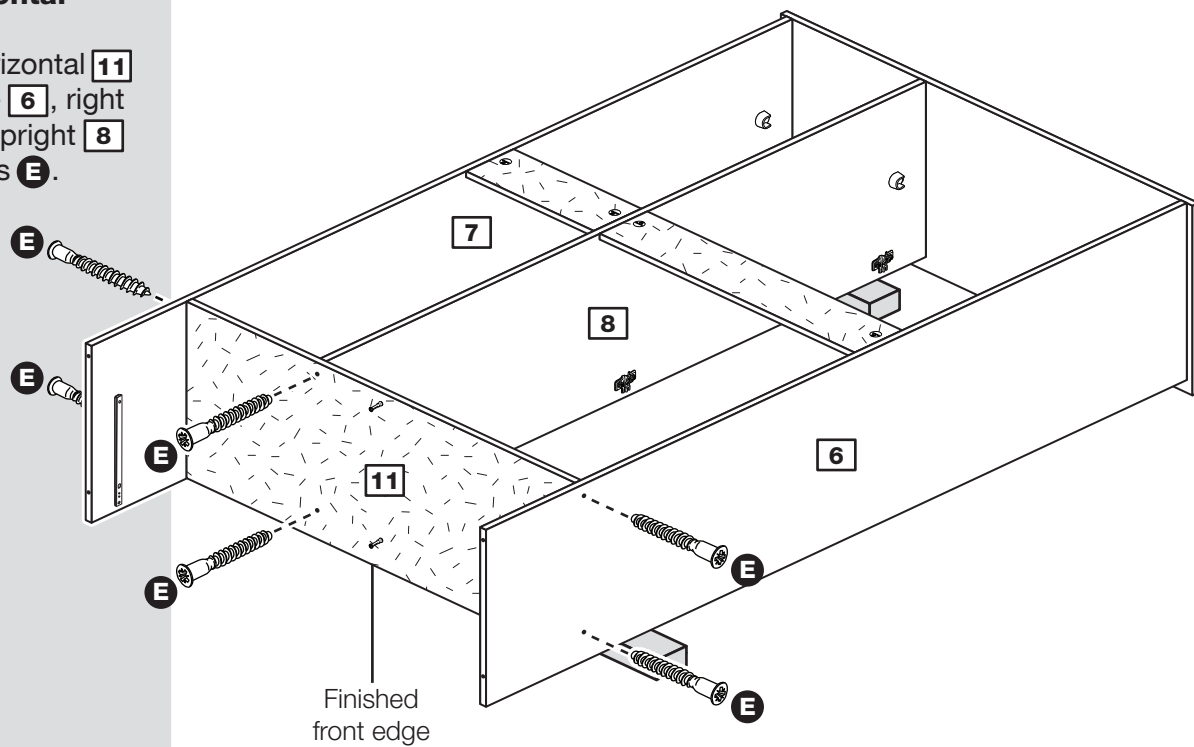
**Note:** Tighten the metal dowels up fully against the panels.



## Step 18

### Fit the horizontal

Attach the horizontal **11** to the left side **6**, right side **7** and upright **8** using 6 screws **E**.



# Assembly Instructions

## Step 19

### Prepare the divider

**a:** Insert 2 large locking nuts **F** into the divider **12**.

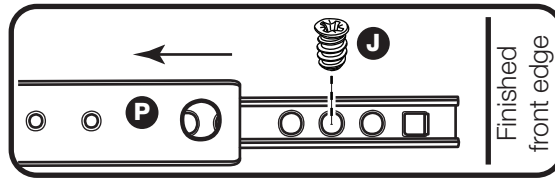
Place a runner **P** onto the divider **12**. Slide back the top of runner and use the 2nd hole from the front to fit the 1st screw **J**.

**b:** Slide the runner **P** back the other way and fit the 2nd screw **J** into the corresponding hole in the divider **12**.

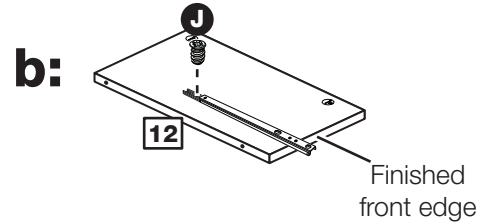
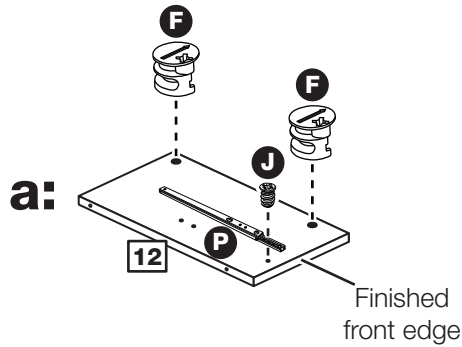
### Turn the divider over

**c:** Place a runner **P** onto the divider **12**. Slide back the top of runner and use the 2nd hole from the front to fit the 1st screw **J**.

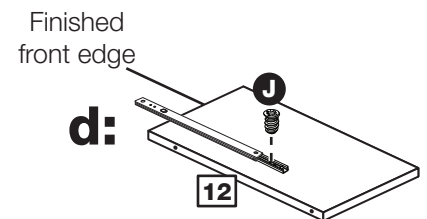
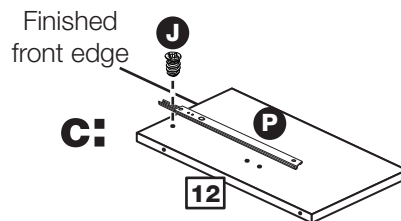
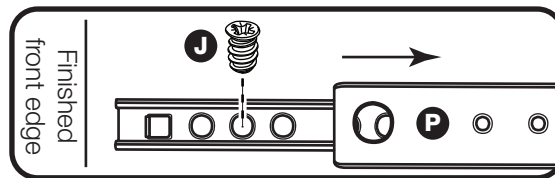
**b:** Slide the runner **P** back the other way and fit the 2nd screw **J** into the corresponding hole in the divider **12**.



**Note:** The colour of the divider may differ from the main unit colour or may be plain chipboard.



**Turn the divider over**



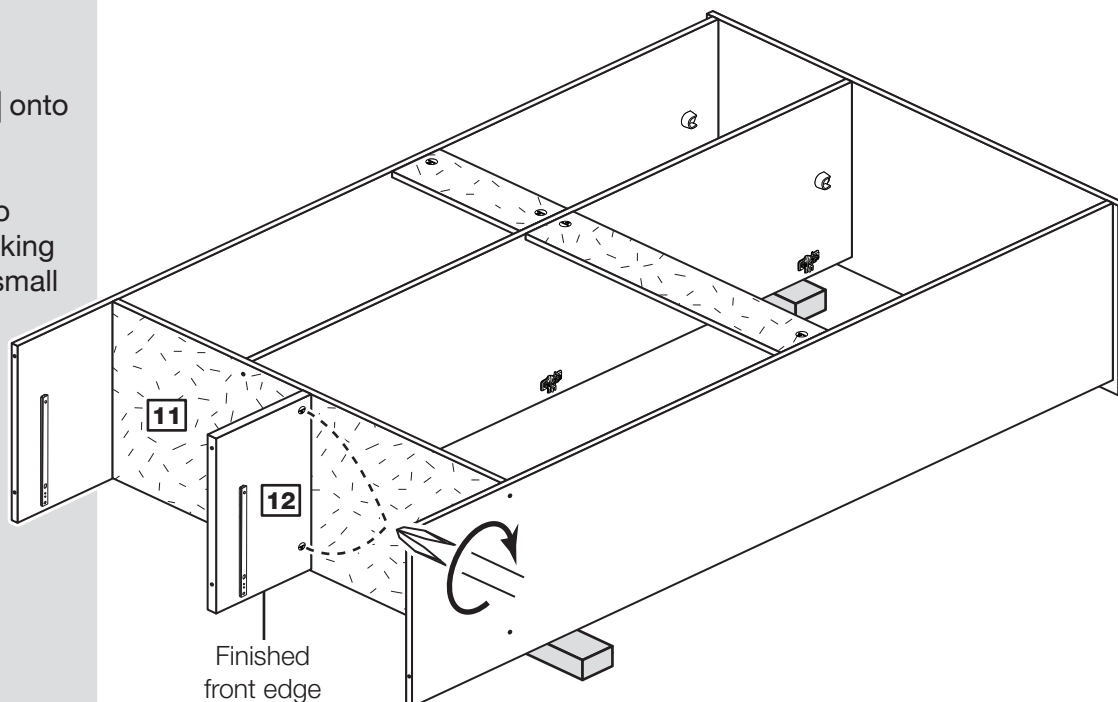
# Assembly Instructions

## Step 20

### Fit the divider

Push the divider **12** onto the horizontal **11**.

Use a screwdriver to tighten the large locking nut **F** fitted to the small divider **12**.



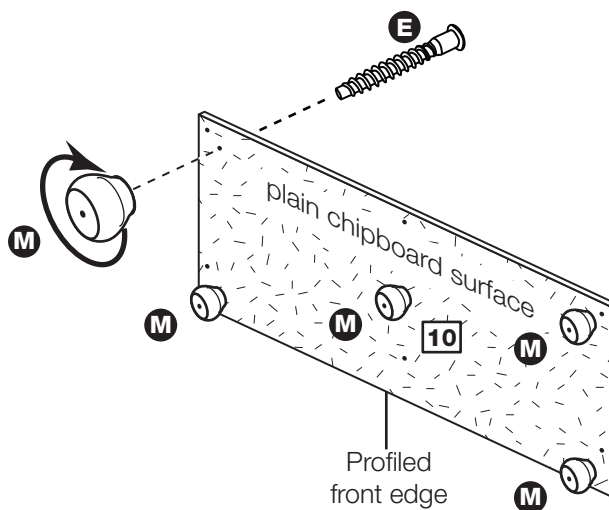
## Step 21

### Prepare the base

**Note:** Do not use the holes nearest the edge of the panel to fit the feet.

Fit the 5 feet **M** to the base **10** using 5 screws **E**.

**Note:** You may find it easier to turn the foot as the screw is held with the screwdriver.

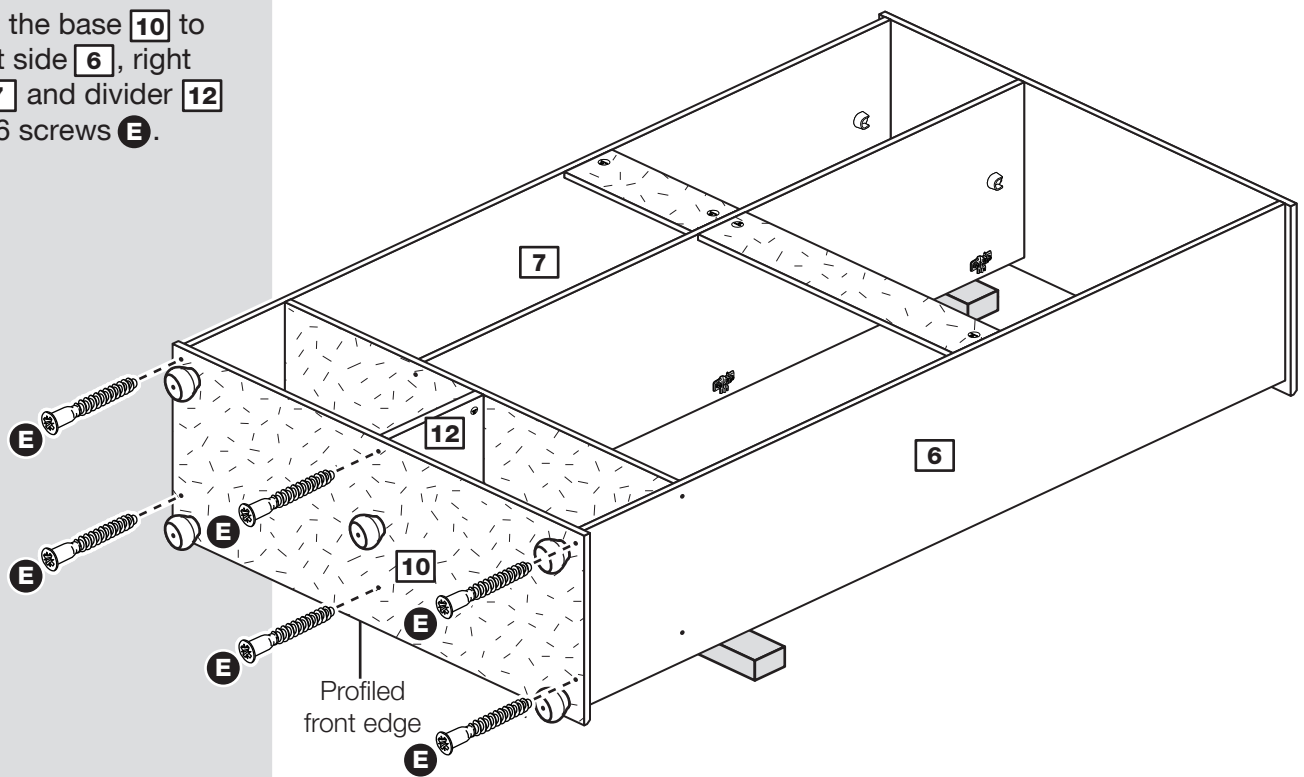


# Assembly Instructions

## Step 22

### Fit the base

Attach the base **10** to the left side **6**, right side **7** and divider **12** using 6 screws **E**.





# Assembly Instructions

## Step 23

### Fit the back panels

**a:** Square up the unit by making sure that measurement **x:x equals y:y**.

Place the small back **19** and large back **20** down, onto the unit as shown.

Make sure that the 2 backs are pushed up tight against each other and that they meet in the centre of the upright's back edge.

**b:** Nail **1** around the outside edges of the 2 backs.

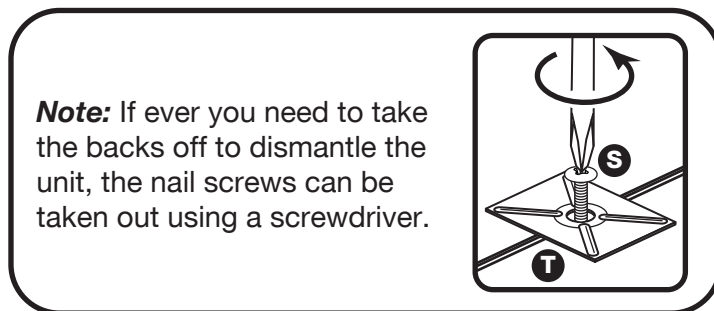
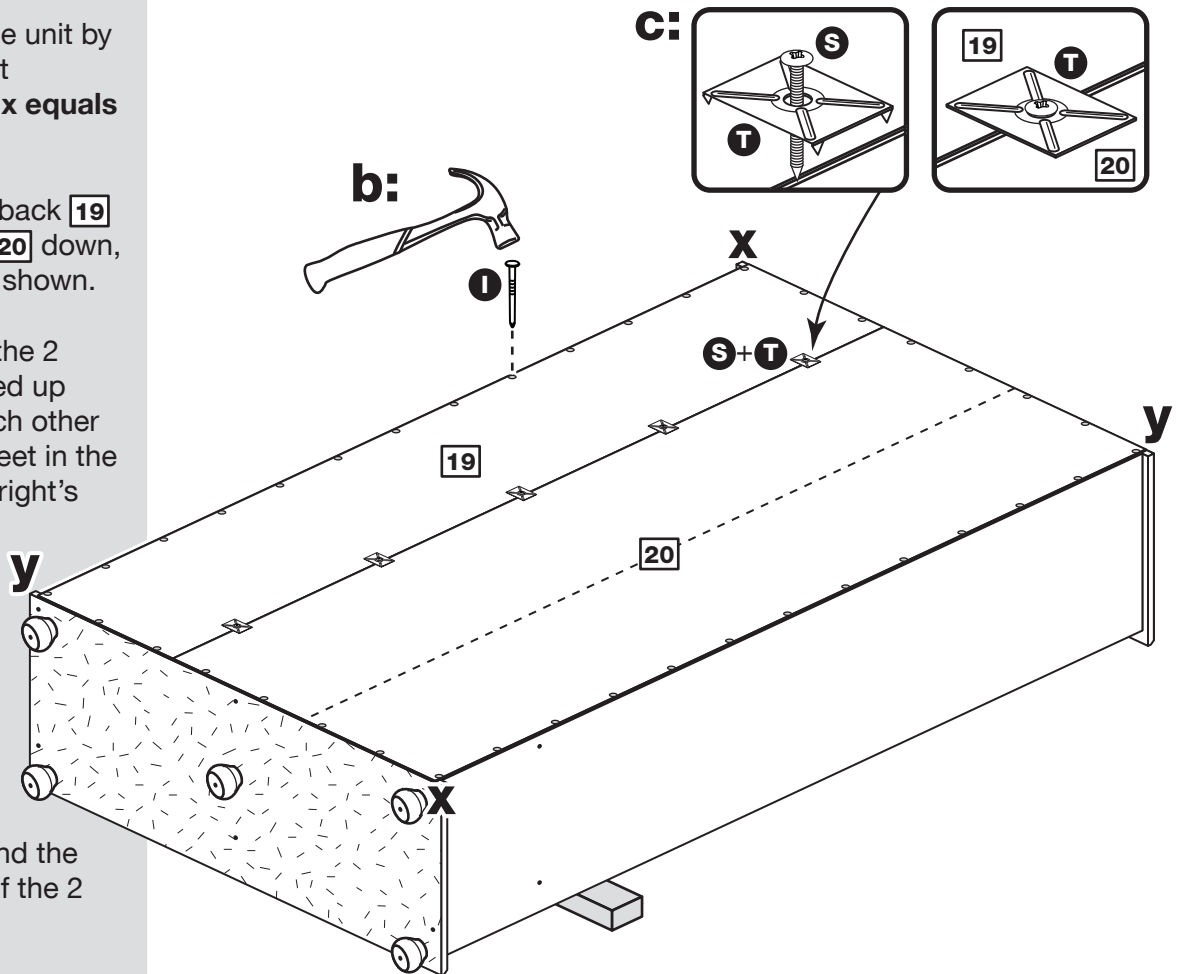
**Note:** Do not nail where the 2 backs meet and nails should be spaced about 150mm apart.

**c:** Push the 5 nail screws **S** through the 5 back holders **T** and tap them down between the small back **19** and large back **20** and into the back edge of the upright **8**.

Keep tapping the nail screws **S** in until the back holders **T** dig into the small and large back.

**Carefully stand the unit up for the next step.**

**a:** The measurement from top corner X to bottom corner X must be equal to the measurement from top corner Y to bottom corner Y



**Warning:** The unit is heavy. Lift with care.

# Assembly Instructions

## Step 24

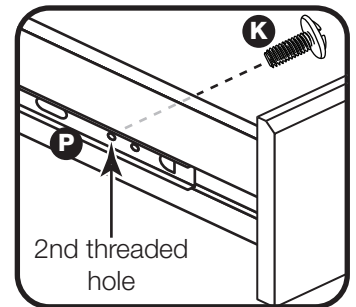
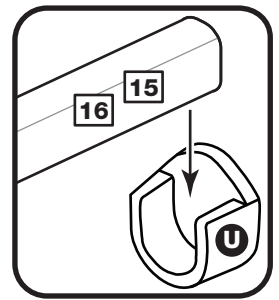
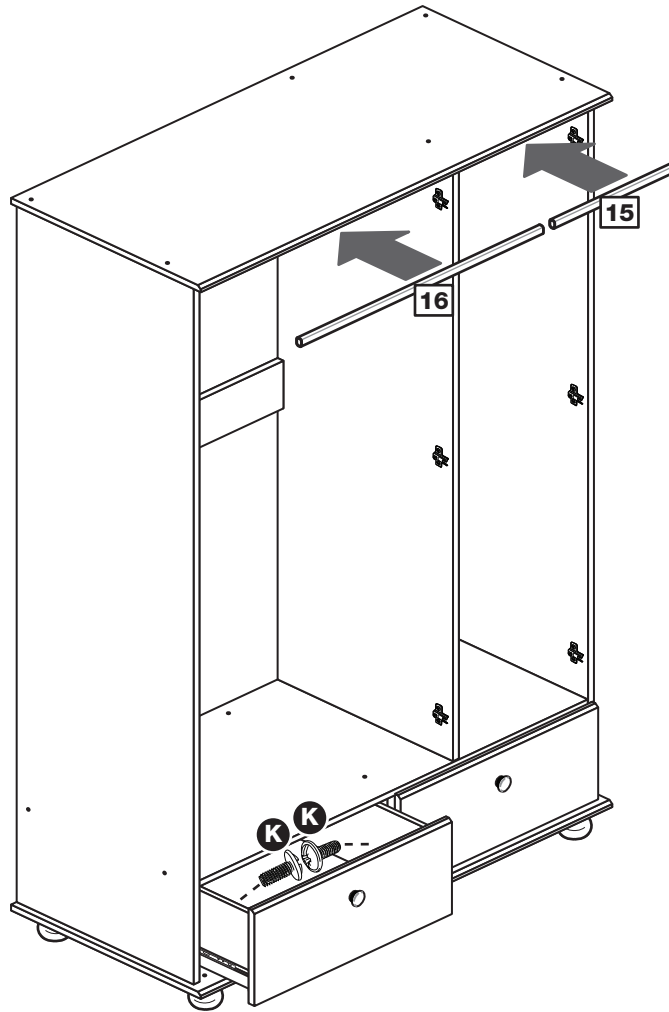
### Fit the hanging rails and drawers

Push small hanging rail **15** and large hanging rail **16** into the rail holders **U**.

Slide both the runners **P** forward and locate the drawer sides **2** and **3** between them, lining up the holes in the drawer sides with the 2nd 'threaded' holes in the runners **P**.

Working from the inside of the drawer, insert 2 screws **K** through the drawer sides and out into the 2nd threaded hole in the runner.

**Note:** Do not overtighten the screws **K**. If they catch on the runner you may need to loosen them slightly.



## Step 25

### Prepare the 3 doors

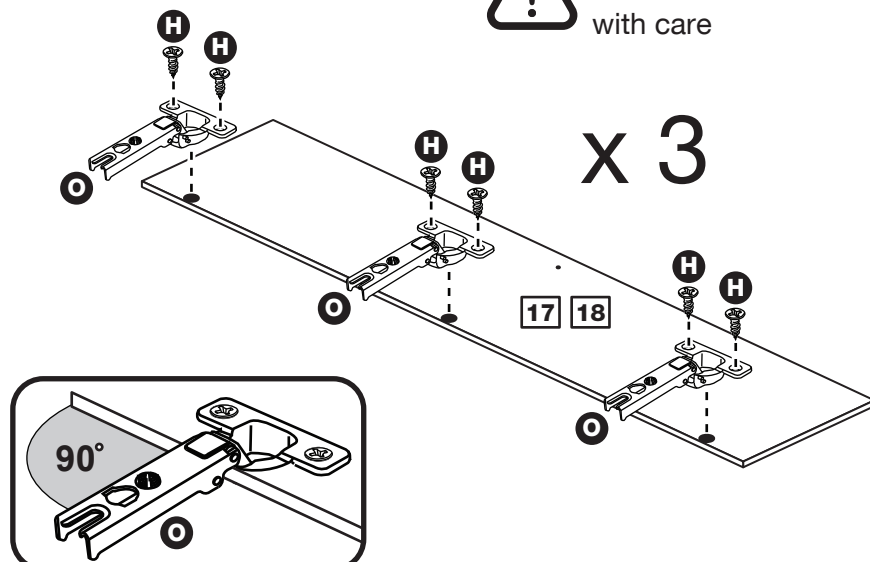
Push fit 3 hinges **H** into each of the 3 doors **17** and **18**.

Secure each hinge with 2 screws **O**.

**Note:** Before securing with the screws, make sure that the hinges are positioned at 90 degrees with the edge of the door.



**Warning:**  
Glass! Handle with care



# Assembly Instructions

## Step 26

### Fit doors and handles

**Note:** The easiest way to attach each door **17** and **18** is to fit the top hinge first, then align and fit the other hinges.

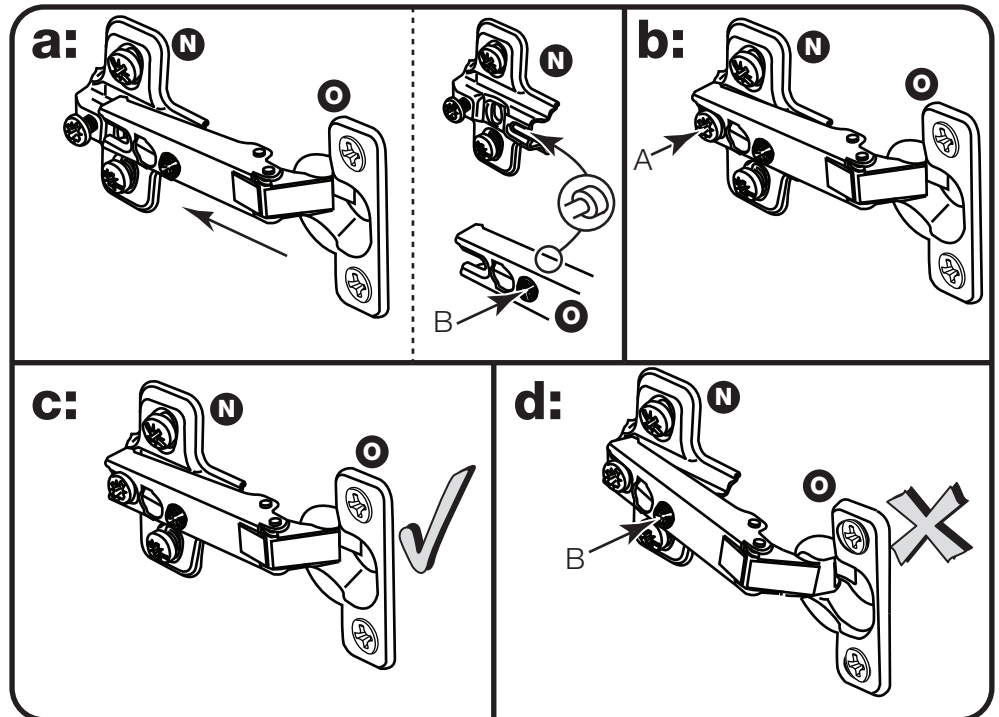
**a:** Push the hinge **O** onto the front part of the hinge plate **N**. The recess at the bottom of screw B goes into the slot in the hinge plate.

**b:** Keep the hinge **O** FLAT against the hinge plate **N** as you slide it across as far as it will go. Tighten screw A.

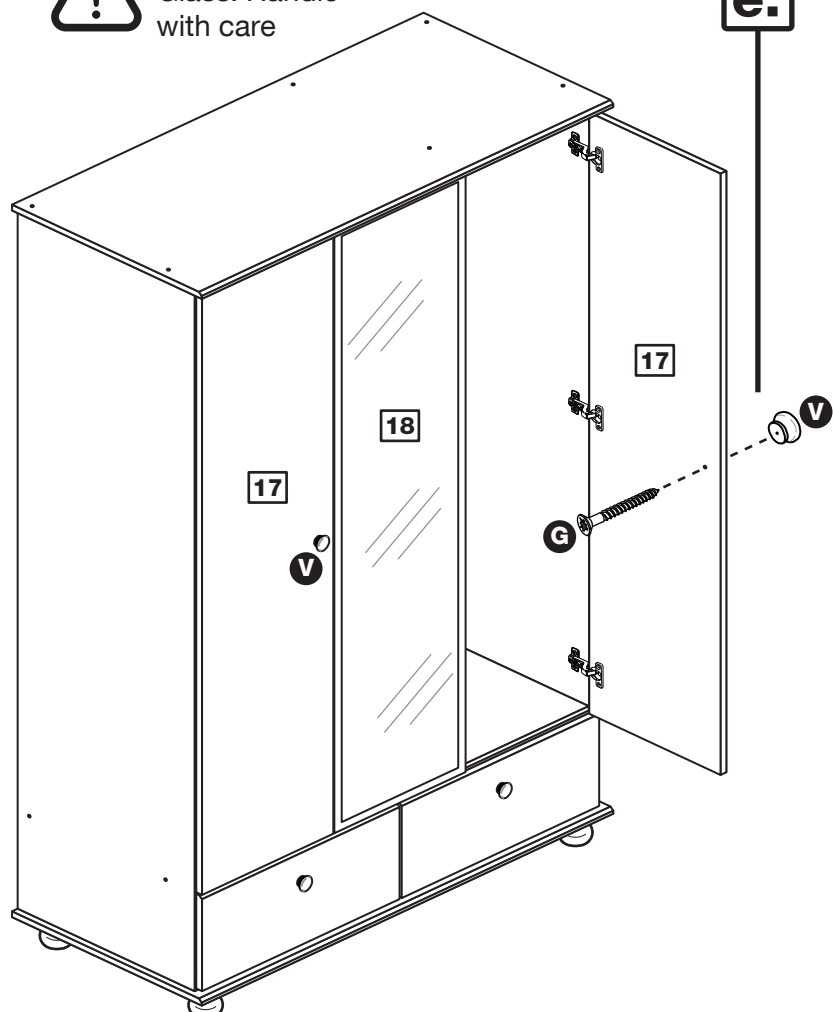
**c:** The hinge **O** must be flat against the hinge plate **N** prior to any adjustment.

**d:** The hinge **O** must NOT be AT AN ANGLE to the hinge plate **N** when assembled. This would indicate that the recess at the bottom of screw B had not located in the slot in the hinge plate and the hinge would not be secure. Remove the hinge from the hinge plate and then re-assemble being careful to follow instructions a-c.

**e:** Attach a handle **V** to each plain door **17** using screw **G**.



**Warning:**  
Glass! Handle with care



# Assembly Instructions

## Step 27

### Adjust the doors if needed

**a:** Before adjusting the doors, use a spirit level to check the base (or top) of the unit is level, front-to-back and side-to-side in the 3 positions shown. Use suitable packing pieces (not supplied) to make the unit level BEFORE making any adjustment to the hinges, as shown.

### **b:** Height adjustment.

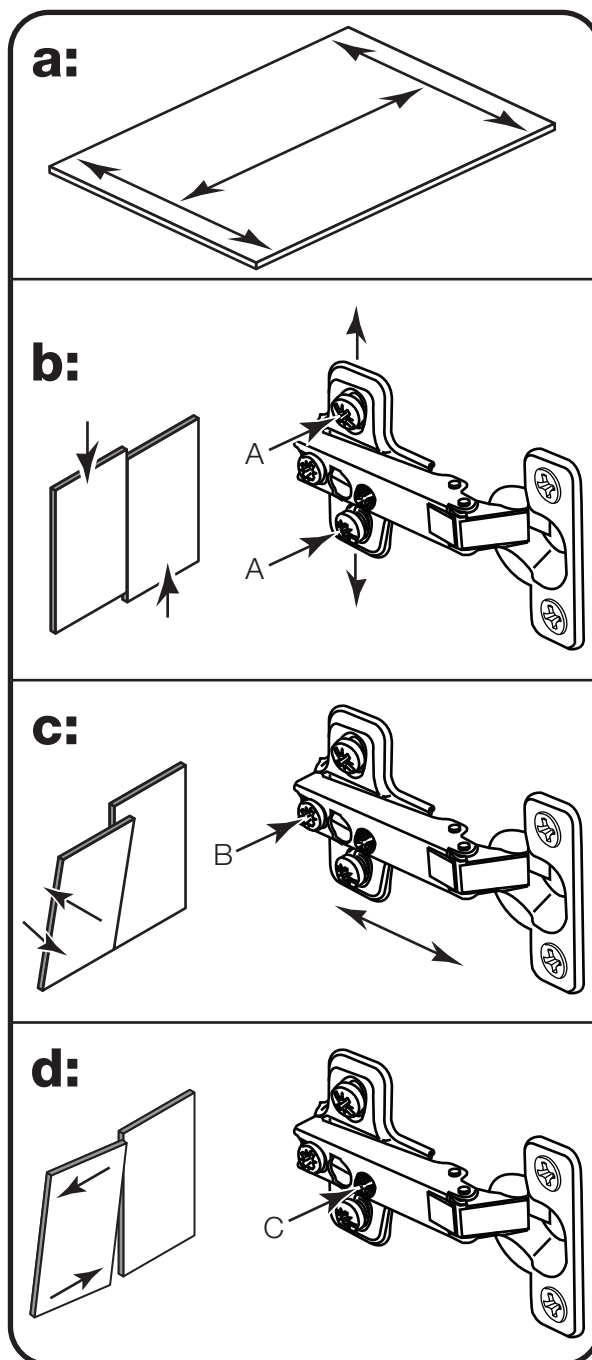
Loosen screws A on hinge plates and move door up or down as required. Retighten screw A.

### **c:** Forward and Back adjustment.

Loosen screw B on hinge plate and move door in or out as required. Retighten screw B.

### **d:** Sideways adjustment.

To move door 'out' loosen screw C. To move door 'in' tighten screw C.



# Assembly Instructions

## Step 28

### Fit the overbalance protector

To prevent possible overbalancing we recommend that this unit is secured to a suitable wall by use of the overbalance protector kit **W** fitted to the unit or, an alternative fixing method of your choice.

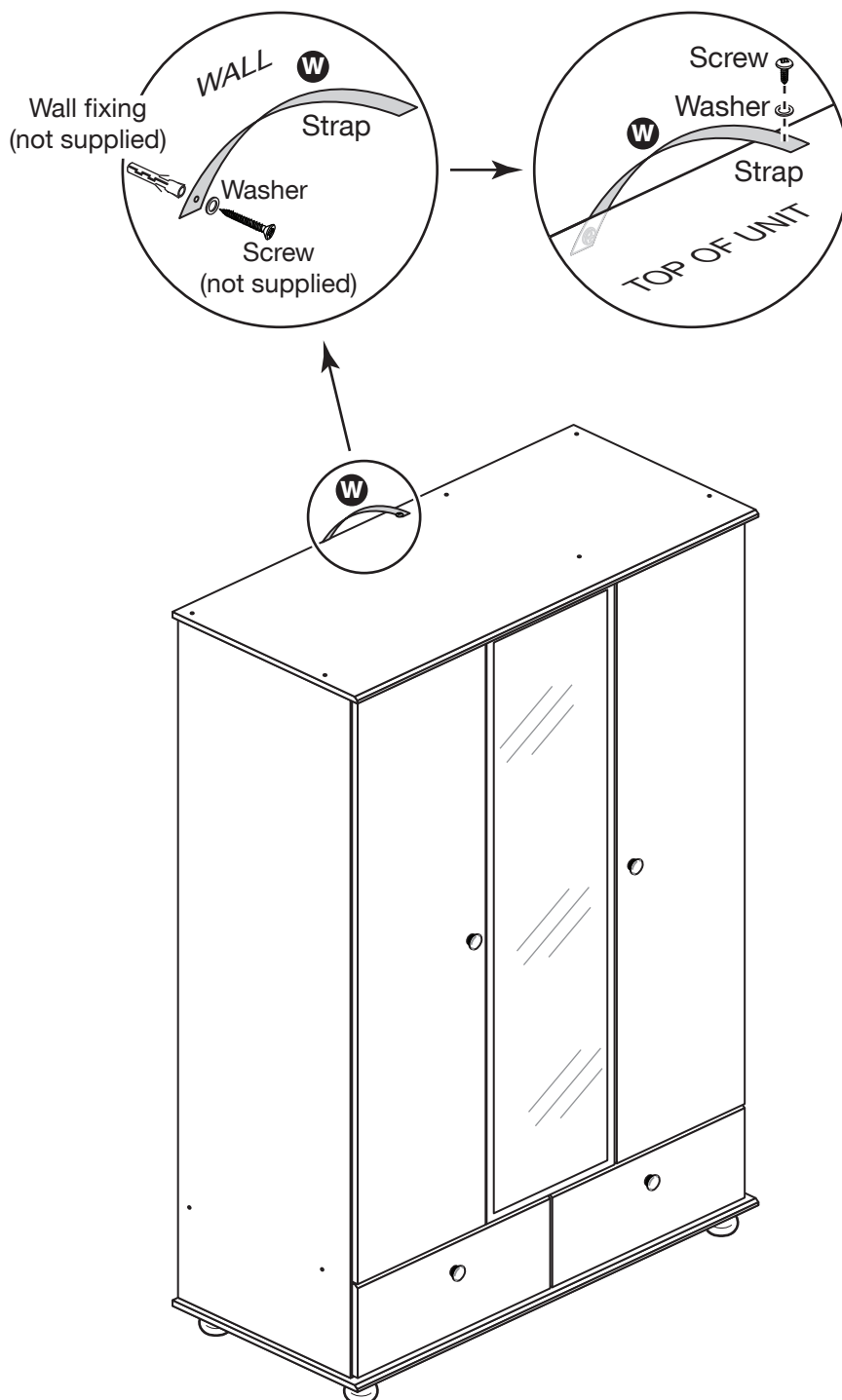
Wall fixings are not supplied as they will need to suit the wall type.

**Note:** Take care when drilling the wall that you do not drill into any pipes, wires etc. If in doubt, consult an expert.



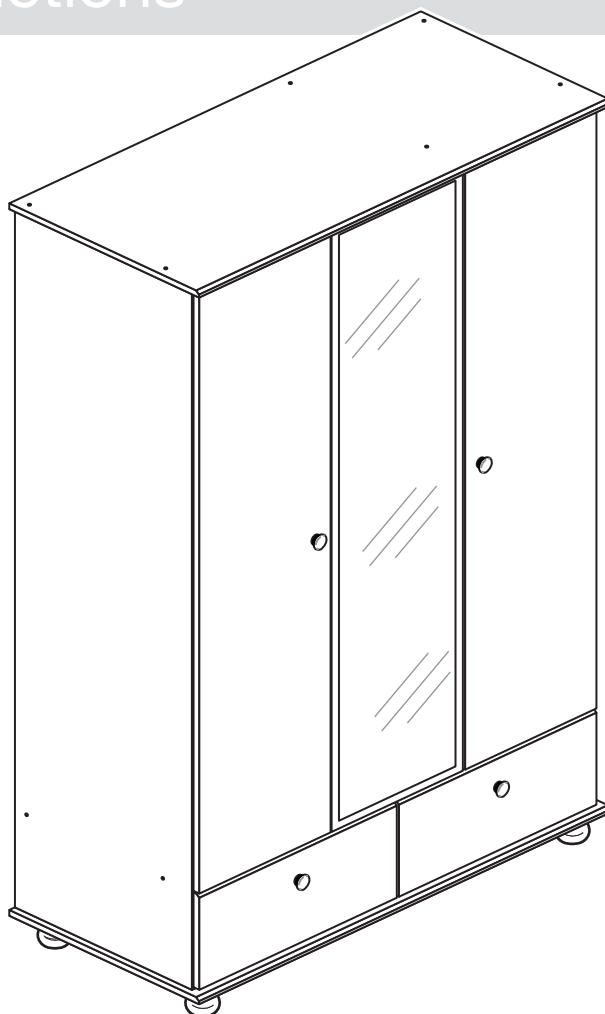
**Warning:** The unit is heavy. Lift with care.

**Assembly is complete**



# Assembly Instructions

## Step 29



### **IMPORTANT INFORMATION ABOUT THIS PRODUCT**

This product complies with the requirements of BS 7449:1991 and has been manufactured by DECORATIVE PANELS FURNITURE LTD, TEESIDE INDUSTRIAL ESTATE, THORNABY-ON-TEES, CLEVELAND, TS17 9LT.

The product code for this unit and the item code(s) for the glass components are listed in the Assembly Instructions along with a description of the type of glass used. All clear/tinted glass complies with the requirements of BS 6206 Class A. All mirrors comply with the requirements of BS 6206 Class C. If the glass component contained in this unit is chipped or broken consult the furniture manufacturer, retailer, or agent with regard to obtaining a manufacturing specification and shape for replacement glass quoting the unit description and batch number or date of manufacture.

Do not place very hot or very cold items against or in close proximity to glass surface(s) unless adequately thick insulating material is used to prevent such items coming in contact with the glass.

Do not strike the glass with hard or pointed items.

Do not sit or stand upon horizontal glass surfaces.

When cleaning glass panels use a damp cloth or leather with washing liquid or soft soap if necessary - do not use washing powders or any other substance containing abrasives since these substances scratch glass.

If stated in the instruction leaflet, it is essential that this unit is fixed to a wall.

**KEEP THESE INSTRUCTIONS FOR FUTURE USE**

If you need help or have damaged or missing parts, call the **Customer Helpline: 08456 400800** and quote the reference numbers on the component pages.

Argos Ltd, 489-499 Avebury Boulevard, Central Milton Keynes, MK9 2NW



