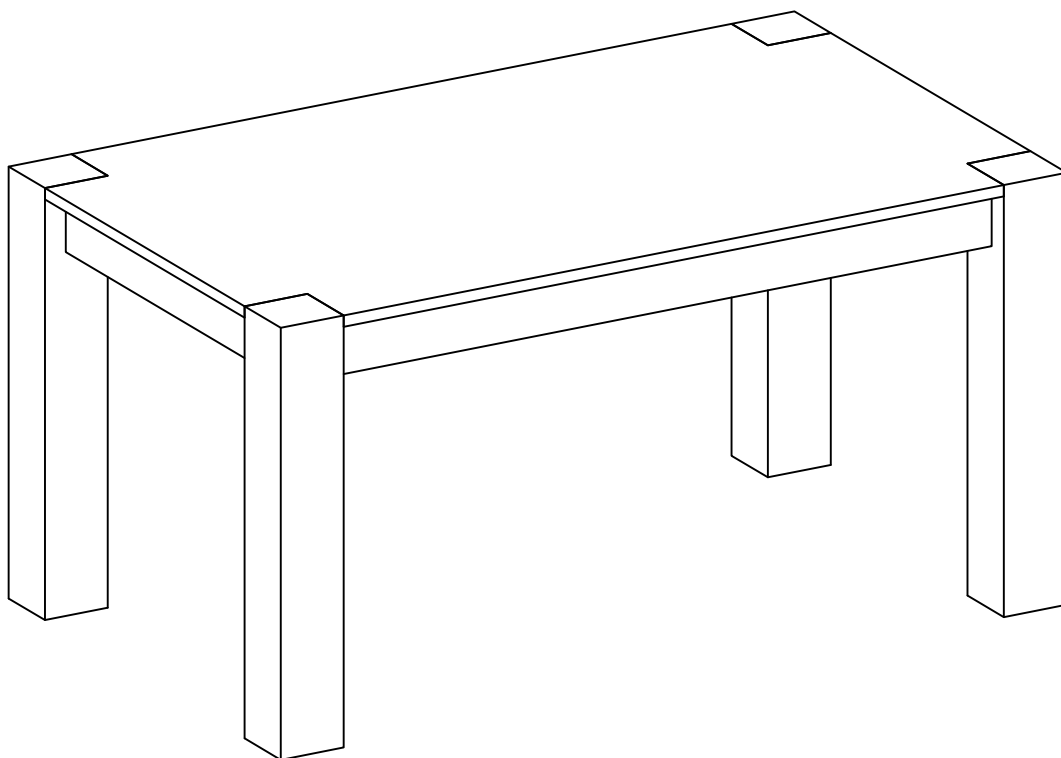


# Alston - Dining table

Assembly Instructions - Please keep for future reference

3326884

3306983



## Dimensions

Width - 150cm

Depth - 90cm

Height - 76cm

**Important** - Please read these instructions fully before starting assembly

If you need help or have damaged or missing parts, call the **Customer Helpline: 08456 400800**



# Safety and Care Advice

## Important - Please read these instructions fully before starting assembly

- Check you have all the components and tools listed on the following pages.
- Remove all fittings from the plastic bags and separate them into their groups.
- Keep children and animals away from the work area, small parts could choke if swallowed.
- Make sure you have enough space to layout the parts before starting.

- During assembly do not stand or put weight on the product, this could cause damage.
- Assemble the item as close to its final position (in the same room) as possible.
- Assemble on a soft level surface to avoid damaging the unit or your floor.
- Parts of the assembly will be easier with 2 people.



- To reduce the likelihood of damaging your product please ensure that your power drill is set on a low torque setting.
- Improper use of electrical tools will crack the components.
- Dispose of all packaging carefully and responsibly.

## Care and maintenance

- Only clean using a damp cloth and mild detergent, do not use bleach or abrasive cleaners.
- From time to time check that there are no loose screws on this unit.
- This product should not be discarded with household waste. Take to your local authority waste disposal centre.

## Handy Hints

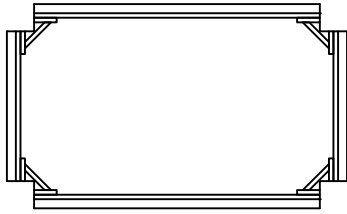
- Assemble all parts and bolts loosely during assembly, only once the product is complete should you fully tighten the bolts.
- Regularly check and ensure that all bolts and fittings are tightened properly.

**Note:** if required the next page can be cut out and used as reference throughout the assembly. Keep this page with these instructions for future reference.

# Components - Panels

If you have damaged or missing components, call the **Customer Helpline: 08456 400800**

Please check you have all the panels listed below




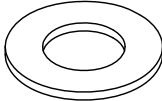

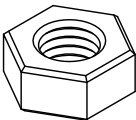
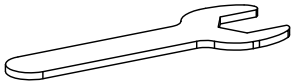
**1** Top panel x1 (150 x 90 x 12 cm)

**2** Leg x 4 (76 x 12 x 12cm)

# Components - Fittings

Please check you have all the fittings listed below

Note: The quantities below are the correct amount to complete the assembly. In some cases more fittings may be supplied than are required.

<p><b>A</b></p>  <p>Bolt x 8 (M8 x 80 mm)</p>	<p><b>B</b></p>  <p>Washer x 8 ( Ø16.0 / Ø8.4 x1mm)</p>	<p><b>C</b></p>  <p>Spring washer x 8 ( Ø12.0 / Ø8.5 x1mm)</p>
<p><b>D</b></p>  <p>Nut x 8 (M8)</p>	<p><b>E</b></p>  <p>Allen Key x 1 (M8)</p>	

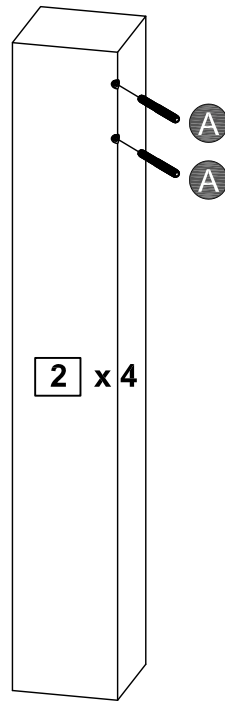
Ruler - Use this ruler to help correctly identify the screws

0 5 10 15 20 25 30 35 40 45 50 55 60 65 70 75 80 85 90 95 100 105 110 115 120 125 130 135 140 145 150 155 160 165 170

# Assembly Instructions

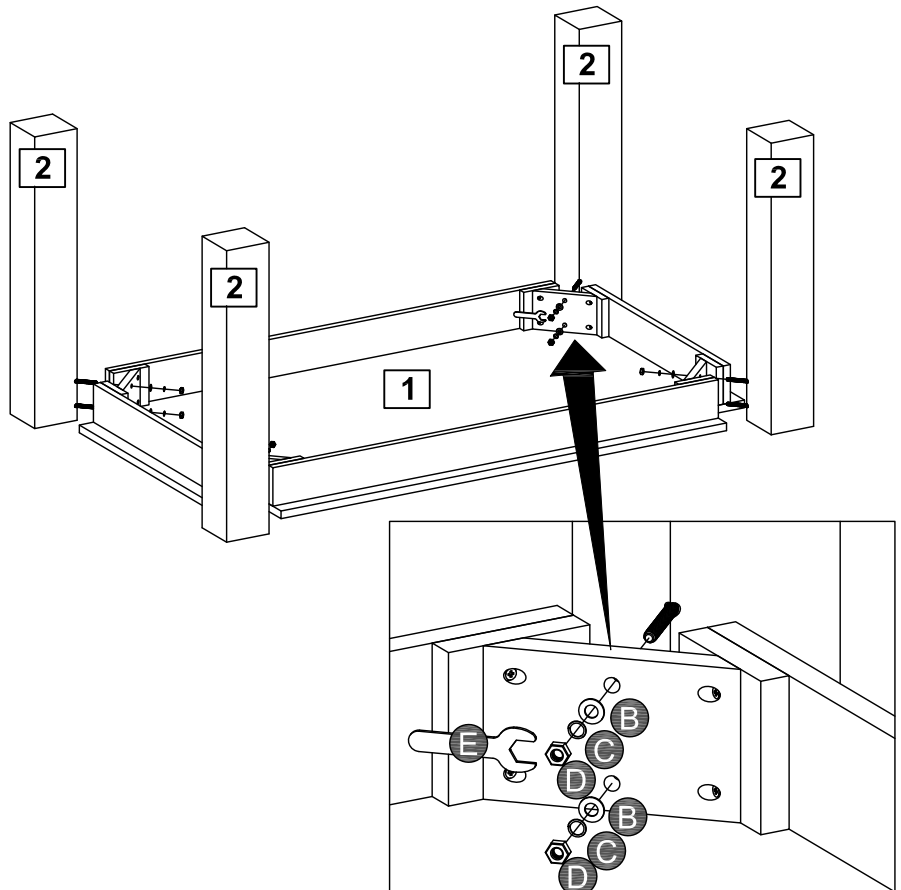
## Step 1

Screw Bolts **A** into legs **2**.



## Step 1

Attach legs **2** onto top panel **1** with Washers **B**, Spring washers **C** and Nuts **D** using allen key **E**.



**Assembly is complete!**