

Grafton 4ft6 Bed

Assembly Instructions - Please keep for future reference

346/8278

356/2064



Dimensions

Width - 148,5cm

Depth - 204,5cm

Height - 120cm

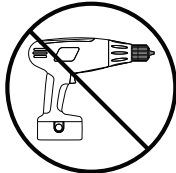
Important – Please read these instructions fully before starting assembly

If you need help or have damaged or missing parts, call the Customer Helpline: 03456 400 800



Safety and Care Advice

Important – Please read these instructions fully before starting assembly

- Check you have all the components and tools listed on pages 2 and 3.
 - Remove all fittings from the plastic bags and separate them into their groups.
 - Keep children and animals away from the work area, small parts could choke if swallowed.
 - Make sure you have enough space to layout the parts before starting.
 - Do not stand or put weight on the product, this could cause damage.
 - Assemble the item as close to its final position (in the same room) as possible.
 - Assemble on a soft level surface to avoid damaging the unit or your floor.
 - This product has been produced from natural timber; you may notice some variation in the grain and colour of different component parts which is normal for furniture produced using natural wood and is not the result of any manufacturing fault.
- 
- We do not recommend the use of power drill/drivers for **inserting screws**, as this could damage the unit. Only use hand screwdrivers.
 - Parts of the assembly will be easier with 2 people.
 - Dispose of all packaging carefully and responsibly.

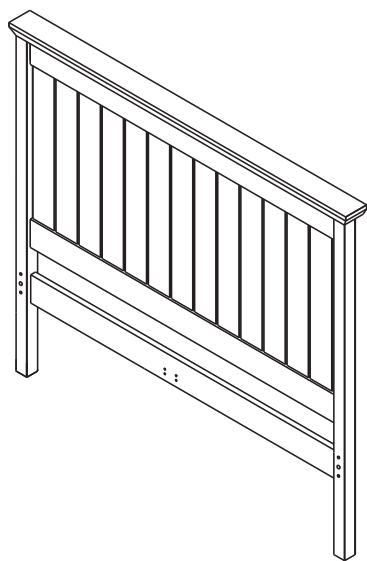
care and maintenance

- Use an appropriate furniture polish for natural wood furniture and a dry cloth to clean the product.
- Avoid placing the furniture in direct sunlight as this will cause the timber to prematurely age.
- From time to time check that there are no loose screws on this unit.
- This product should not be discarded with household waste. Take to your local authority waste disposal centre.

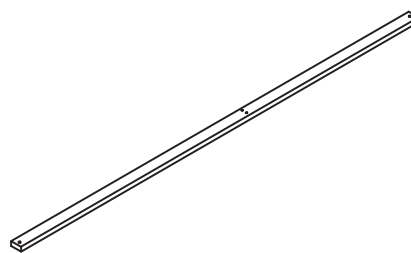
Note: if required the next page can be cut out and used as reference throughout the assembly. Keep this page with these instructions for future reference.

Components - Panels

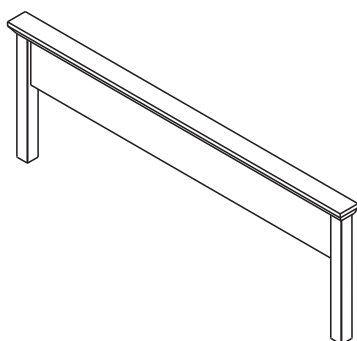
Please check you have all the panels listed below



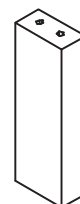
01 Headboard (148,5 x 120cm)



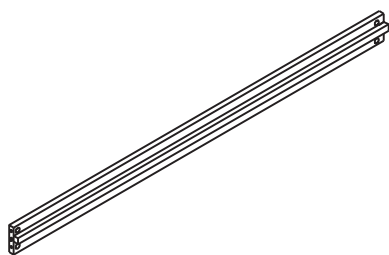
04 Central Support (194,5 x 6cm)



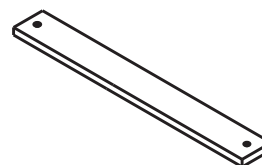
02 Footboard (148,5 x 43,5cm)



05 Support Foot (29 x 6cm)



03 Side rails x 2 (190 x 11,5cm)



06 Slats x 24 (68 x 6,9cm)

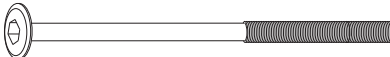

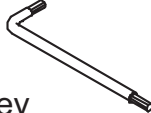
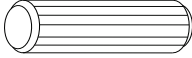

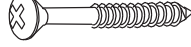
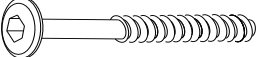

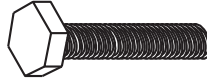
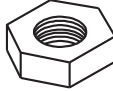

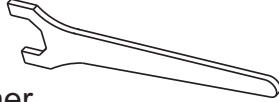



Components - Fittings

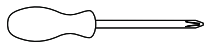
If you have damaged or missing components, call the Customer Helpline: 03456 400 800

Please check you have all the fittings listed below

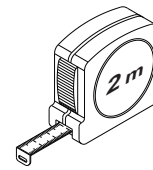
Note: The quantities below are the correct amount to complete the assembly. In some cases more fittings may be supplied than are required.

A  110mm Bolt x 04	B  Half-Moon Nut x 04	C  Allen key
D  40mm Wooden dowel x 04	E  16mm Screw x 08	F  35mm Screw x 48
G  50mm Bolt x 02	H  80mm L Shaped Bracket x 02	I  40mm Bolt x 02
J  Nut x 06	L  70mm Headless Bolt x 04	M  Spanner
N  Washer x 04		

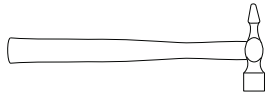
Tools required



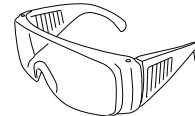
Phillips screwdriver
(medium & large)



Ruler/tape
measure



Small
hammer



Eye protection
(when using a
hammer or glue)

Ruler - Use this ruler to help correctly identify the screws

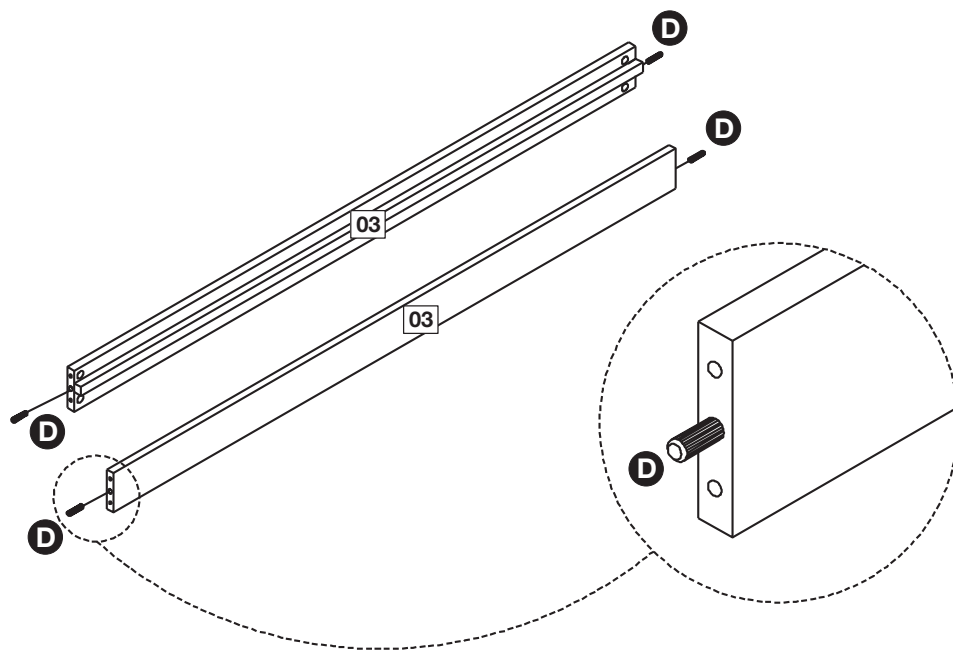


Assembly Instructions

Step 1

Fitting dowels

Insert dowels **D** into the indicated parts.



Step 2

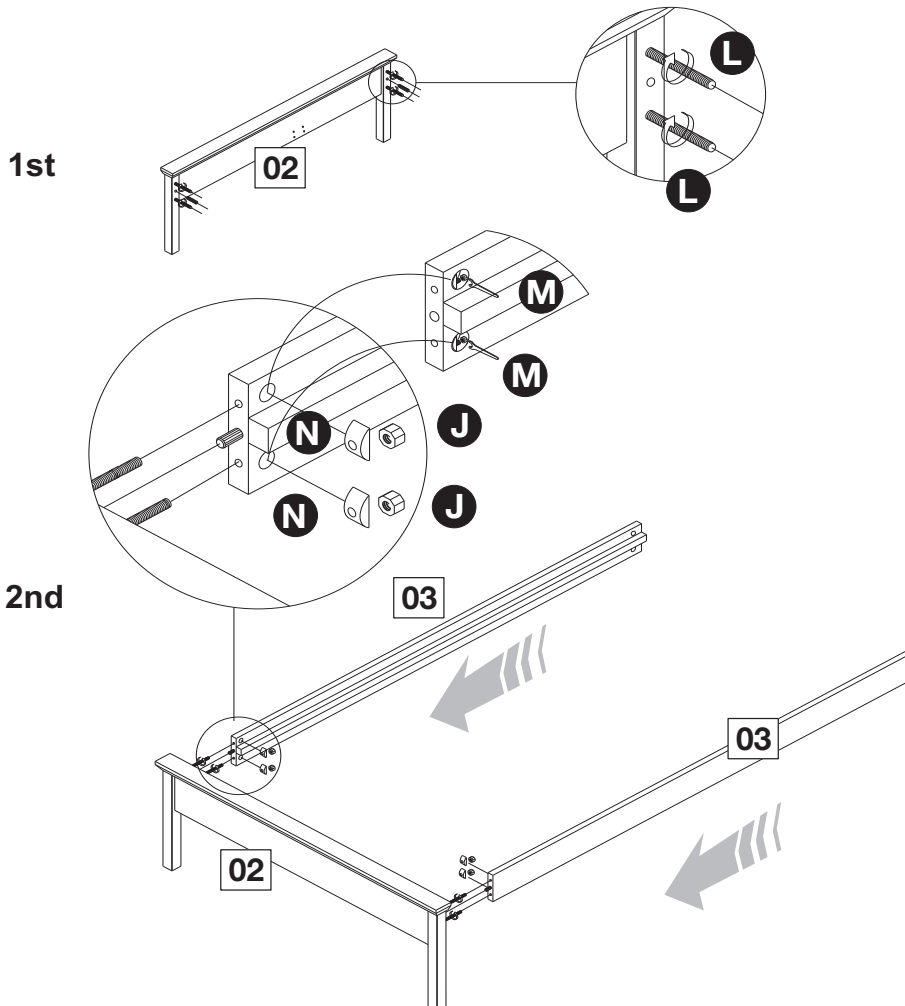
Assembling side rails:

1st: Screw headless bolt **L** to footboard **02**.

2rd: Insert washers **N** to the side rails **03** and fit footboard to side rails.

Fix headless bolts **L** using nuts **J** and spanner **M**.

Caution: Assembling of Step 2 and Step 3 will be easier with 2 people. It can also avoid damages or brakes of any part or component.

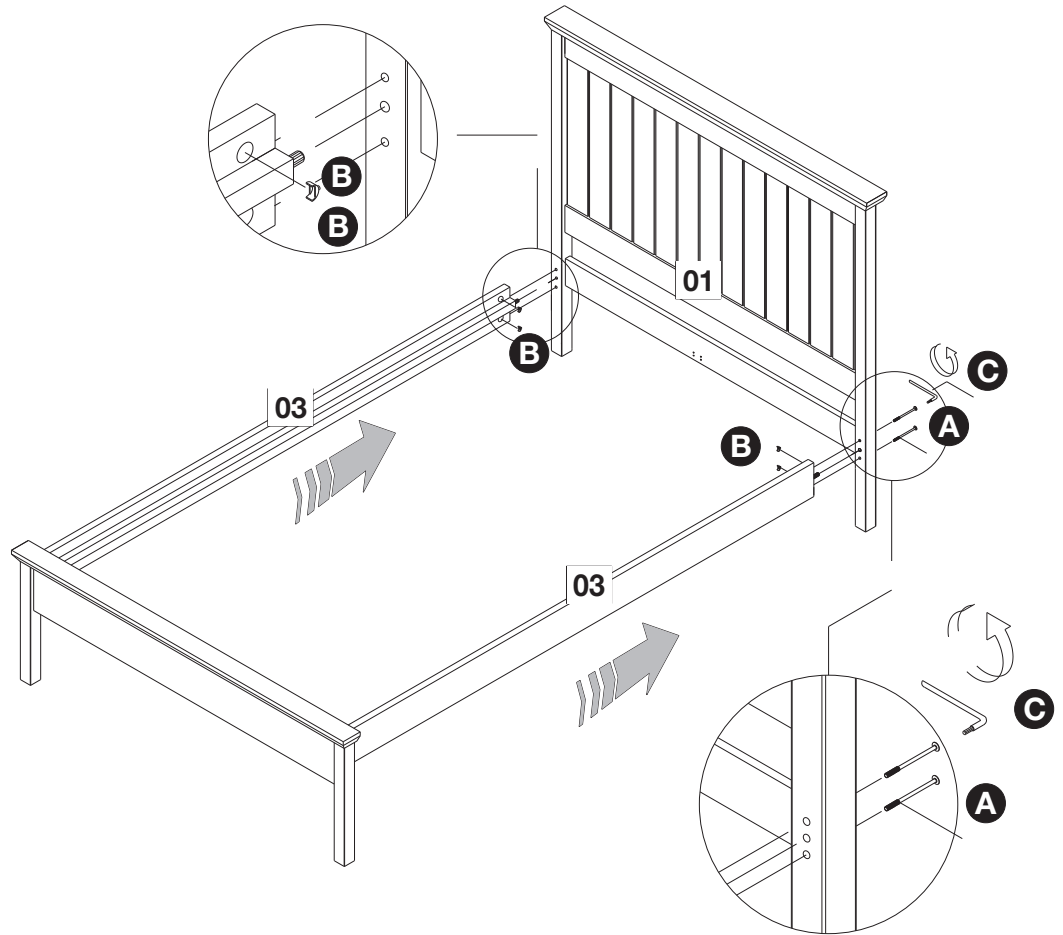


Assembly Instructions

Step 3

Assembling side rails:

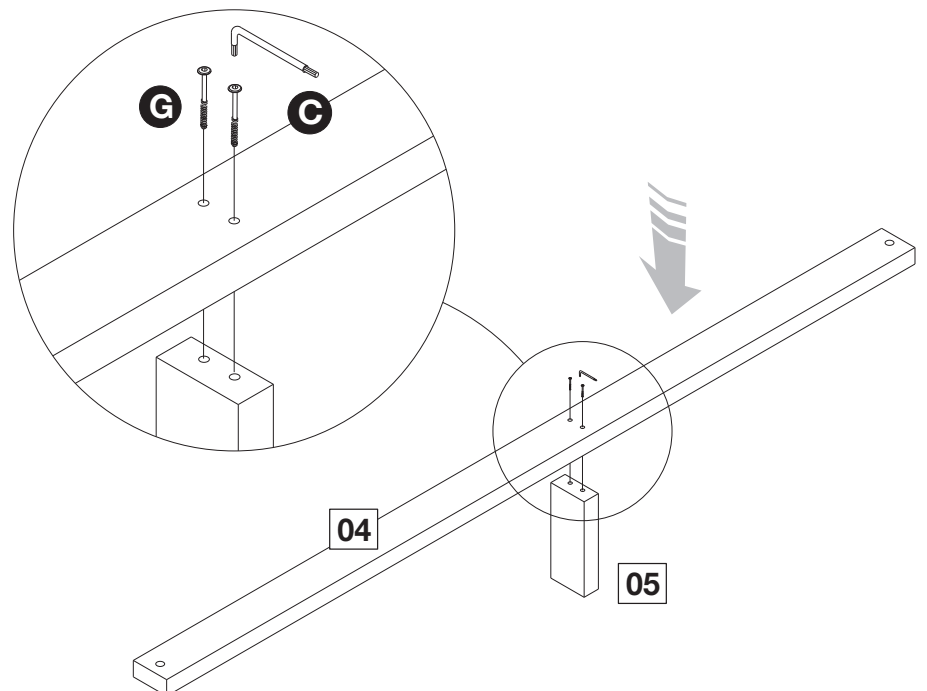
Attach side rails **03** to the headboard. Insert half moon nut **B** into side rails **03** as shown. Then fix them to the headboard **01** using bolts **A** and allen key **C**.



Step 4

Fixing support foot:

Fix support foot **05** to central support **04** using bolt **G** and allen key **C** as shown.

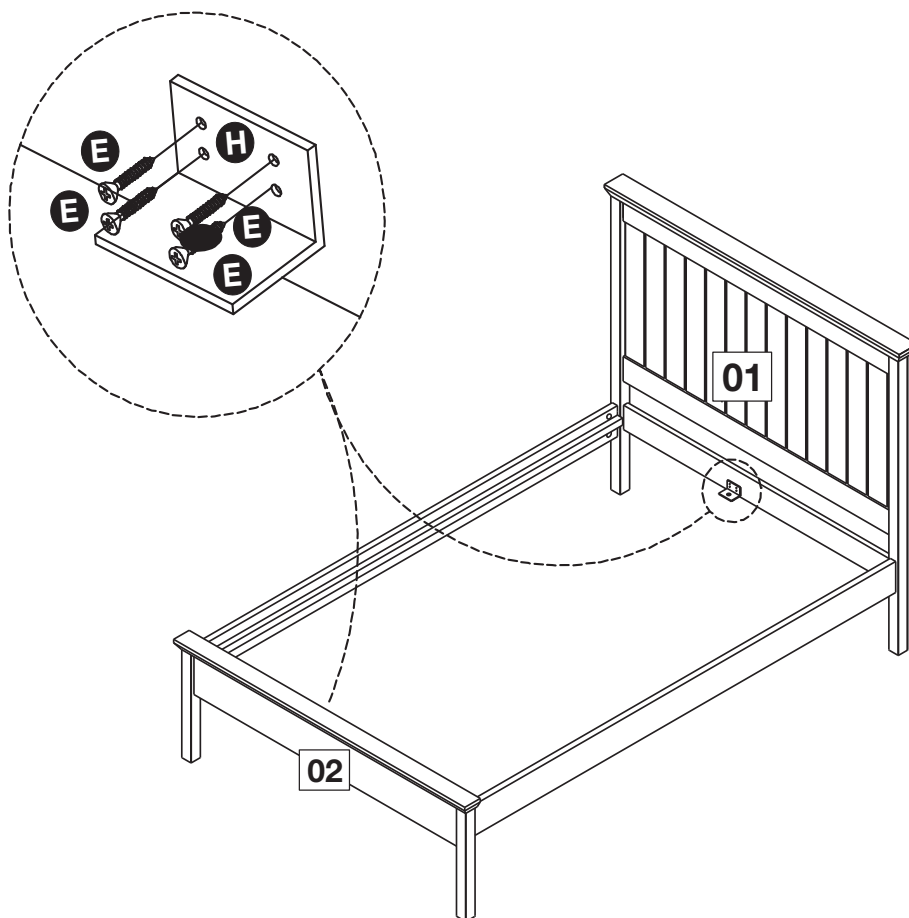


Assembly Instructions

Step 5

Fixing L shaped bracket:

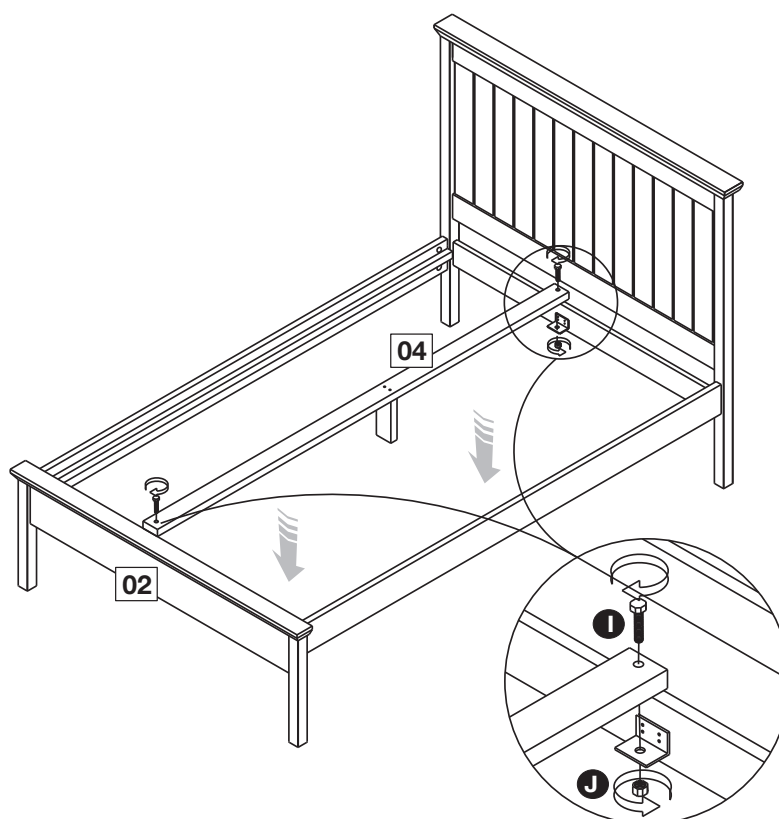
Fix L shaped brackets **H** into pre-drilled holes in the headboard **01** and footboard **02** using screws **E** as shown.



Step 6

Fixing central support:

Fix central support **04** to L shaped brackets in headboard **01** and footboard **02** using bolts **I** and nut **J** as shown.



Assembly Instructions

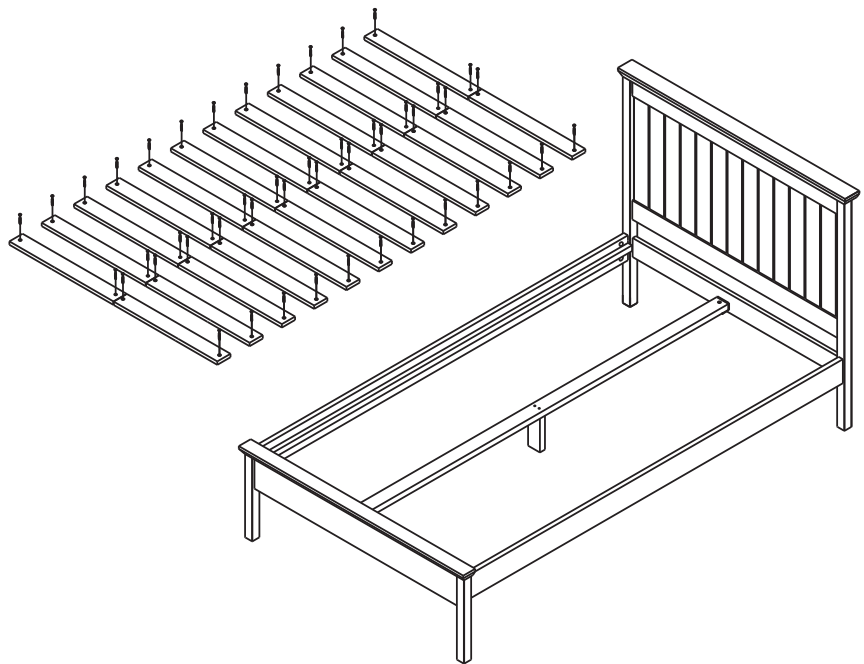
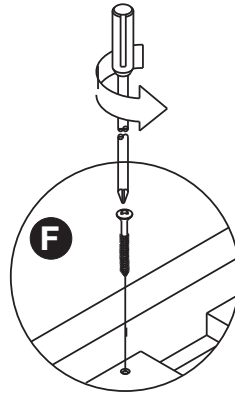
Step 7

Fixing slats:

Centralize slats in bed frame prior to fixing. Fix slats using screws **F** as shown.

Fix slats in one side first, then fix them in the other side by pushing the rail against the slats if necessary.

Periodically check that all screws are tight.

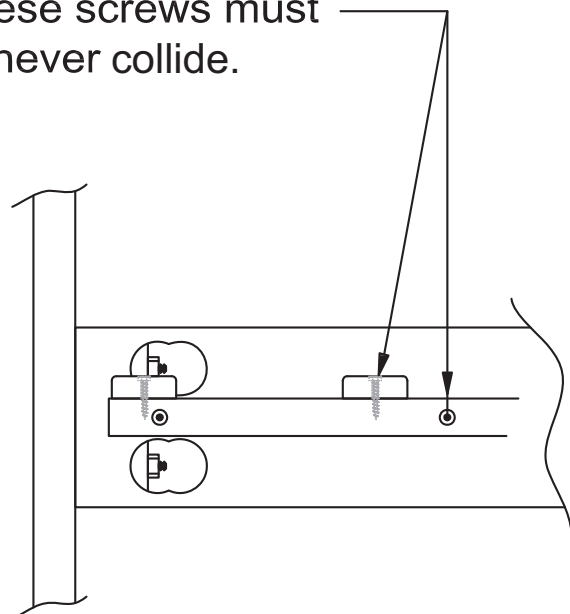


Step 8

Additional step to fixing slats:

Warning! The screws that attach the slatholders to the sides never collide to the screws that fix the slats to the slatholders.

Warning!
These screws must never collide.



Assemble is complete!