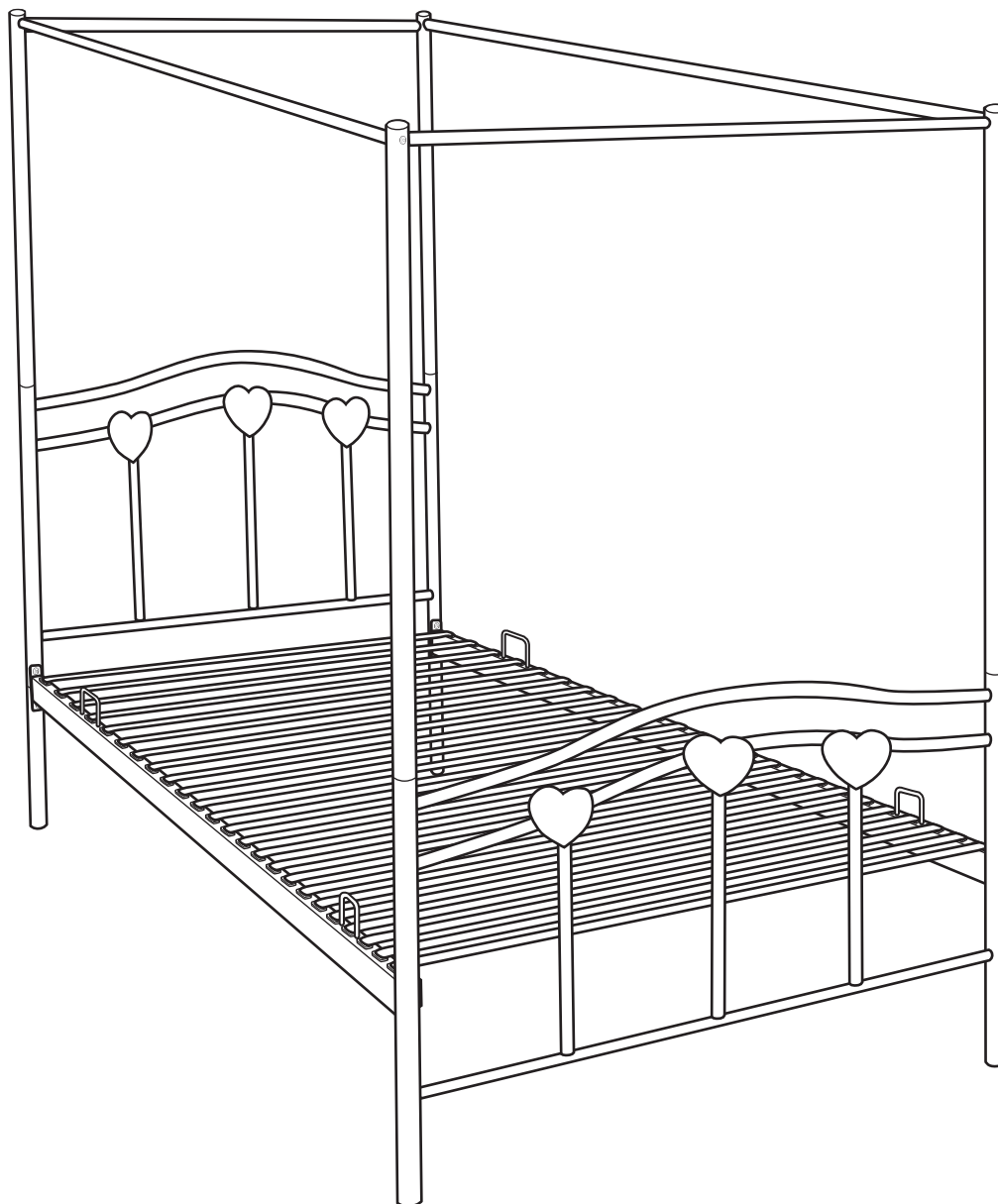


Hearts Bed With 4 Poster Frame

Assembly Instructions - Please keep for future reference

323/8130

333/9613



Dimensions

Width - 197cm

Depth - 94cm

Height - 189cm

Important - Please read these instructions fully before starting assembly

If you need help or have damaged or missing parts, call the **Customer Helpline:**
Argos = 0345 640 0800



Safety and Care Advice

Important - Please read these instructions fully before starting assembly

IMPORTANT! KEEP FOR FUTURE REFERENCE

- Check you have all the components and tools listed on the following pages.
- Remove all fittings from the plastic bags and separate them into their groups.

- Keep children and animals away from the work area, small parts could choke if swallowed.
- Make sure you have enough space to layout the parts before starting.
- During assembly do not stand or put weight on the product, this could cause damage.
- Assemble the item as close to its final position (in the same room) as possible.



- We do not recommend the use of power drill/drivers **for inserting screws**, as this could damage the unit. Only use hand screwdrivers.
- Assemble on a soft level surface to avoid damaging the unit or your floor.
- Parts of the assembly will be easier with 2 people.
- Unit weight: 20.4 kgs.

Care and maintenance

- Only clean using a damp cloth and mild detergent, do not use bleach or abrasive cleaners.
- From time to time check that there are no loose screws on this unit.
- This product should not be discarded with household waste. Take to your local authority waste disposal centre.

Warnings

- Regularly check and ensure that all bolts and fittings are tightened properly.
- The recommended mattress size is L1900 x W910 mm.
- This product should only be used on firm, level ground.
- Make sure the legs remain in contact with the ground.
- Not suitable for children under 4 years.
- Prohibit your children from bouncing and jumping on the bed.
- Do not place this child's bed near heat sources, windows (blind cords, curtain pulls or other strings or cords) and other furniture
- Place the bed tight to any wall or have a gap of 300mm between the wall and the side of the bed.
- Do not use this child's bed if any part is broken, torn or missing.
- **THIS BED COMPLIES WITH BS8509:2008+A1:2011**
- Manufacturer: BL Packaging Co. Ltd.

Handy Hints

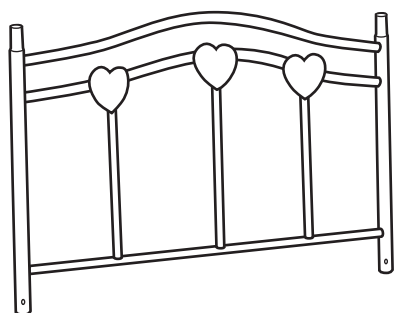
- Assemble all parts and bolts loosely during assembly, only once the product is complete should you fully tighten the bolts.
- Regularly check and ensure that all bolts and fittings are tightened properly.

Note: if required the next page can be cut out and used as reference throughout the assembly. Keep this page with these instructions for future reference.

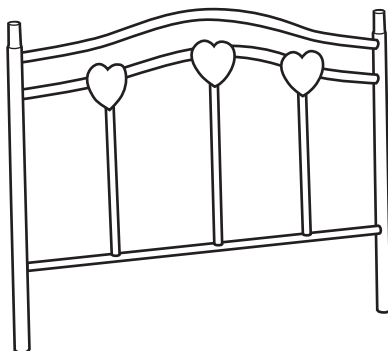
Components - Parts

If you have damaged or missing components, call the
Customer Helpline: Argos = 0345 640 0800

Please check you have all the parts listed below



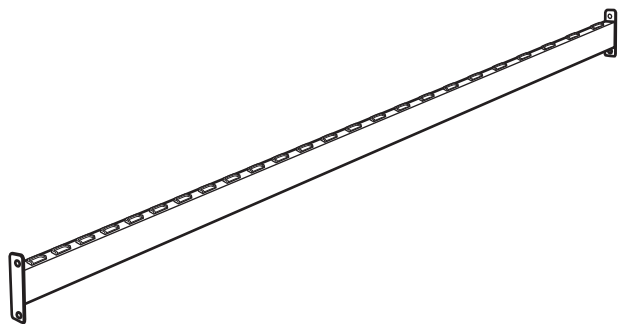
1 Headboard
(94 x 63 x 3.2cm)



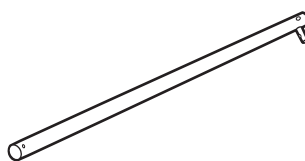
2 Footboard
(94 x 76 x 3.2cm)



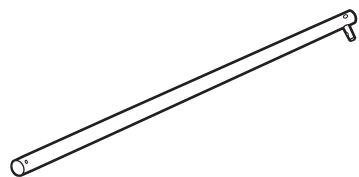
3 Headboard leg x 2
(38 x Ø3.2cm)



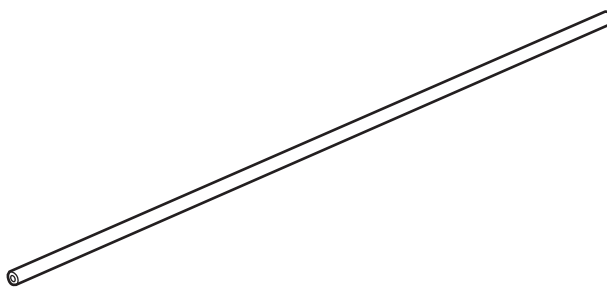
4 Siderail x 2
(191.5 x 11 x 2.5cm)



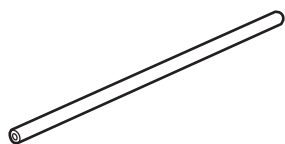
5 Headboard Upper Post x 2
(100 x 6.5 x Ø3.2cm)



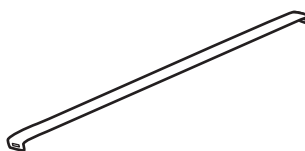
6 Footboard Upper Post x 2
(120 x 6.5 x Ø3.2cm)



7 Top Rail Long x 2
(191 x Ø1.6cm)



8 Top Rail Short x 2
(87.5 x Ø1.6cm)

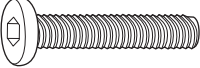
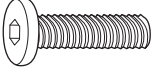
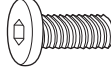
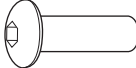




9 Slat x 24
(91 x 4 x 2.5cm)

Components - Fittings

Please check you have all the fittings listed below

Note: The quantities below are the correct amount to complete the assembly. In some cases more fittings may be supplied than are required.

A  M6 x 45mm Bolt x 4	B  M6 x 25mm Bolt x 4	C  M6 x 12mm Bolt x 12
D  Bolt nut x 4	E  Mattress stopper x 4	F  Allen key x 2

Ruler - Use this ruler to help correctly identify the screws

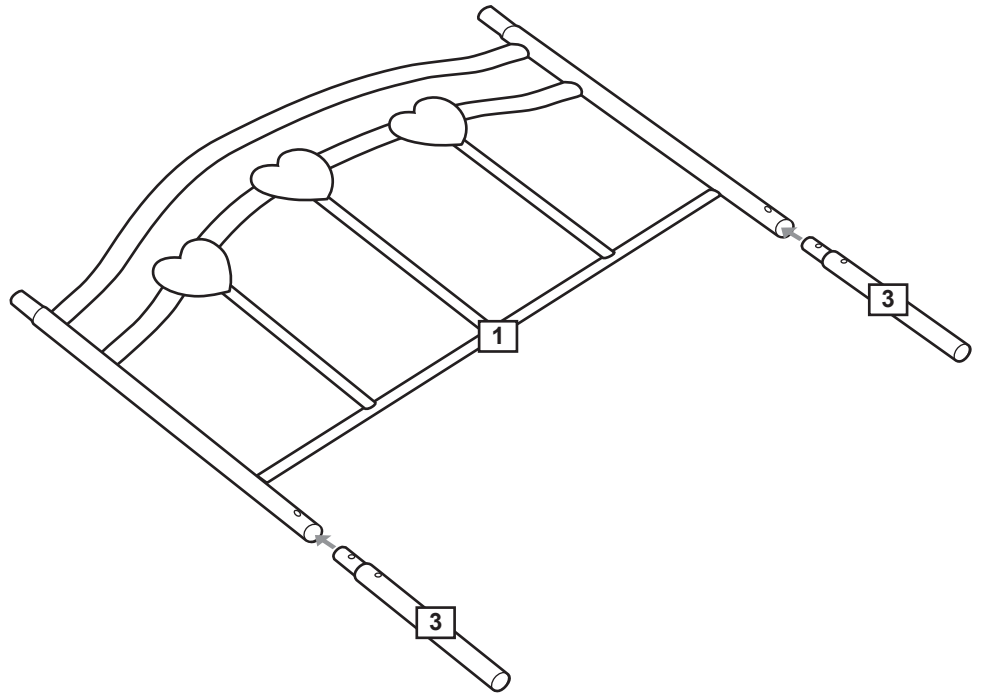
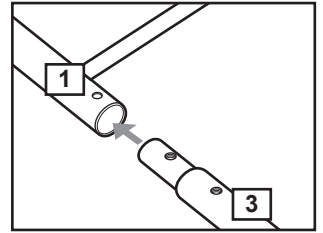


Assembly Instructions

Step 1

Assembling headboard legs

Insert headboard legs **3** into holes on headboard **1** as shown.



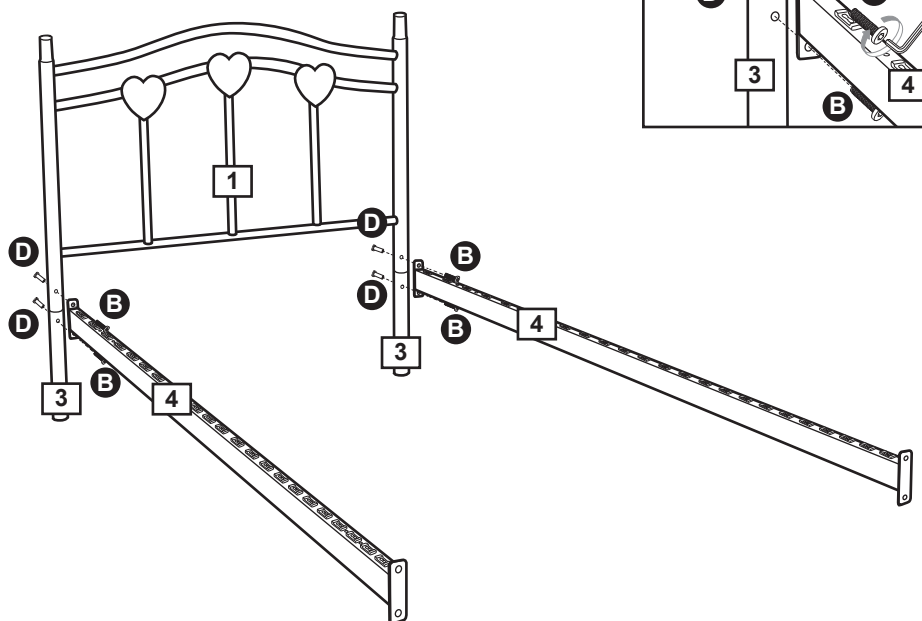
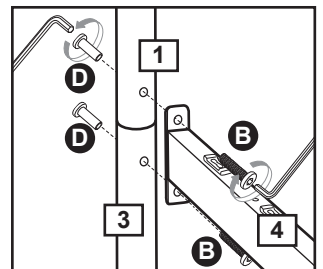
Step 2

Assembling headboard

Attach siderails **4** to headboard **1** & **3** as shown and fix through holes using bolts **B** and bolt nuts **D**.

Important:

Fasten bolts & nuts using 2 allen keys **F** but do not fully tighten at this stage.



Assembly Instructions

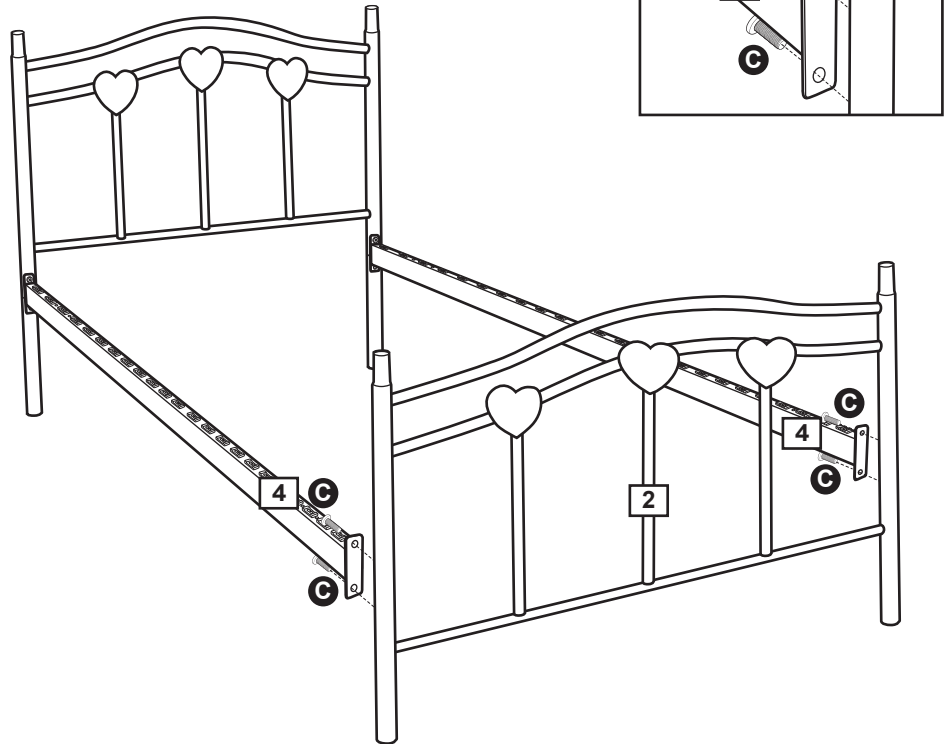
Step 3

Assembling footboard

Attach footboard **2** to siderails **4** as shown and fix through holes using bolts **C**.



Important:
Fasten bolts using allen key **F** but do not fully tighten at this stage.



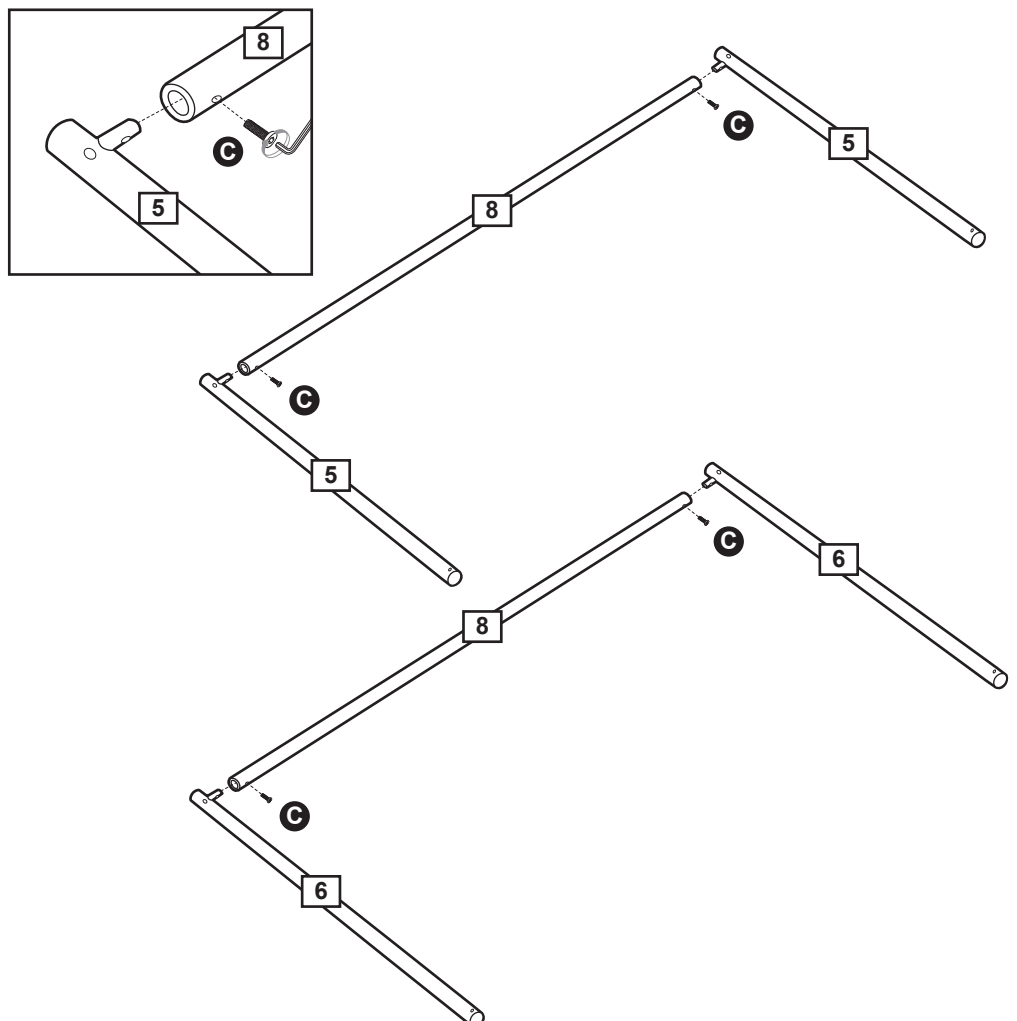
Step 4

Assembling short top rails

Attach upper posts **5** & **6** into holes on short top rail **8** as shown and fix through holes using bolts **C**.



Important:
Fasten bolts nuts using allen key **F** but do not fully tighten at this stage.



Assembly Instructions

Step 5

Attaching upper rails

a: Insert headboard upper post **5** onto posts of headboard **1** as shown.

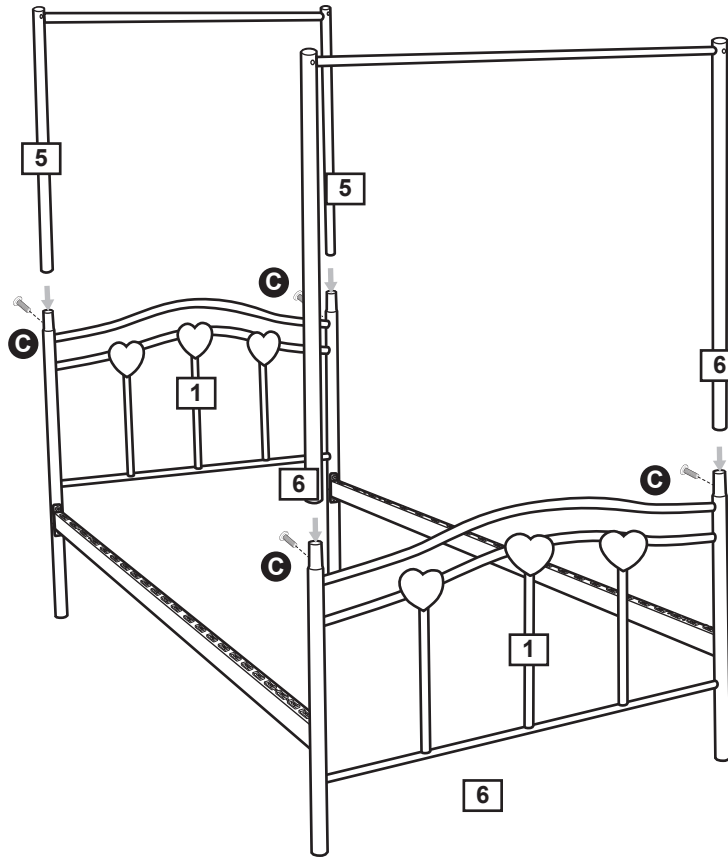
b: Fix through holes using bolts **C** as shown.



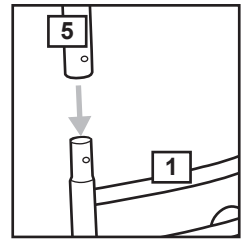
Important:

Fasten bolts using allen key **F** but do not fully tighten at this stage.

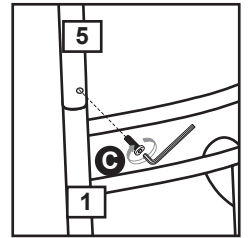
Repeat above steps to assemble the footboard upper post **6**.



a:



b:



Step 6

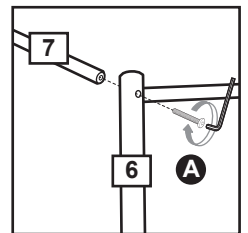
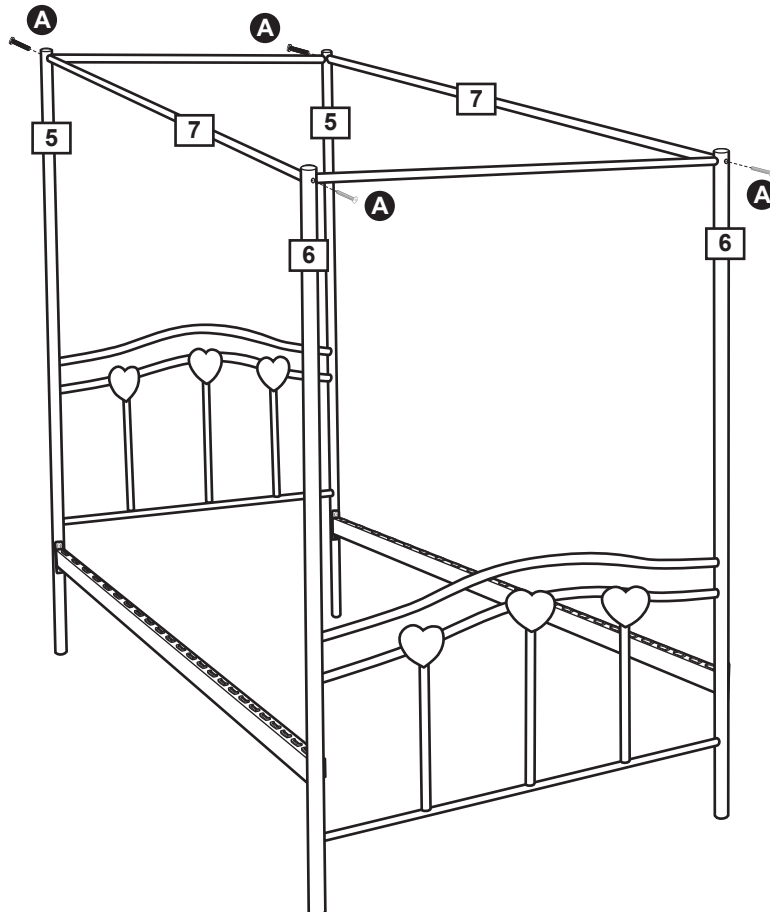
Assembling top rails

Attach top rails **7** to upper rails **5** & **6** as shown and fix through holes using bolts **A**.



Important:

Fasten bolts using allen key **F** but do not fully tighten at this stage.



Assembly Instructions

Step 7

Attaching slats

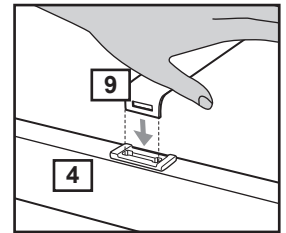
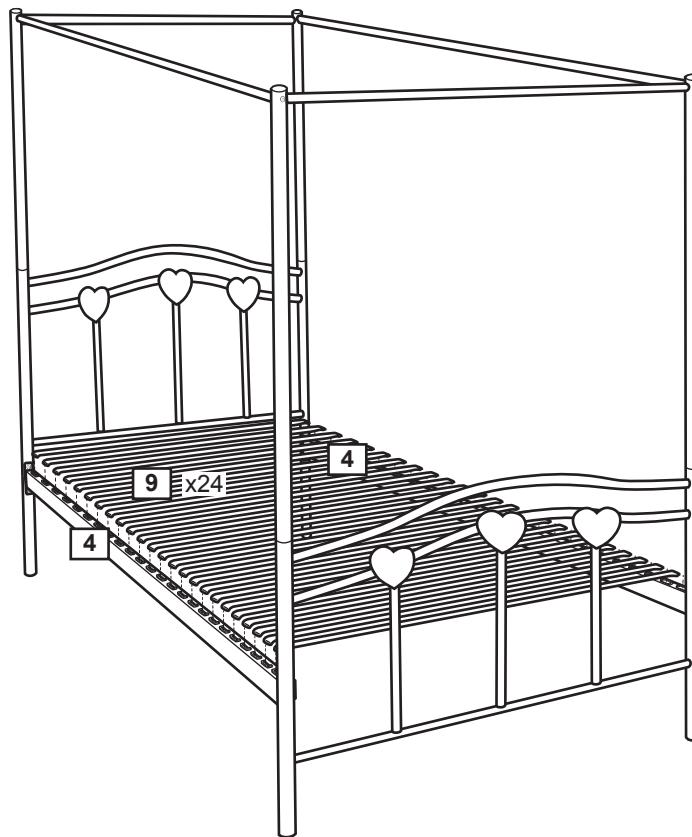
Insert each slats **9** into holes on side rails **4**. Lock it into position by pushing firmly down with your hand.



Note: Make sure the slat is aligned to the hole before pushing it firmly down.



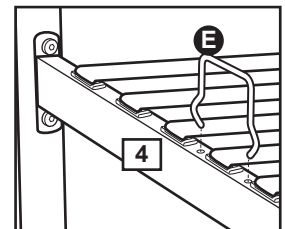
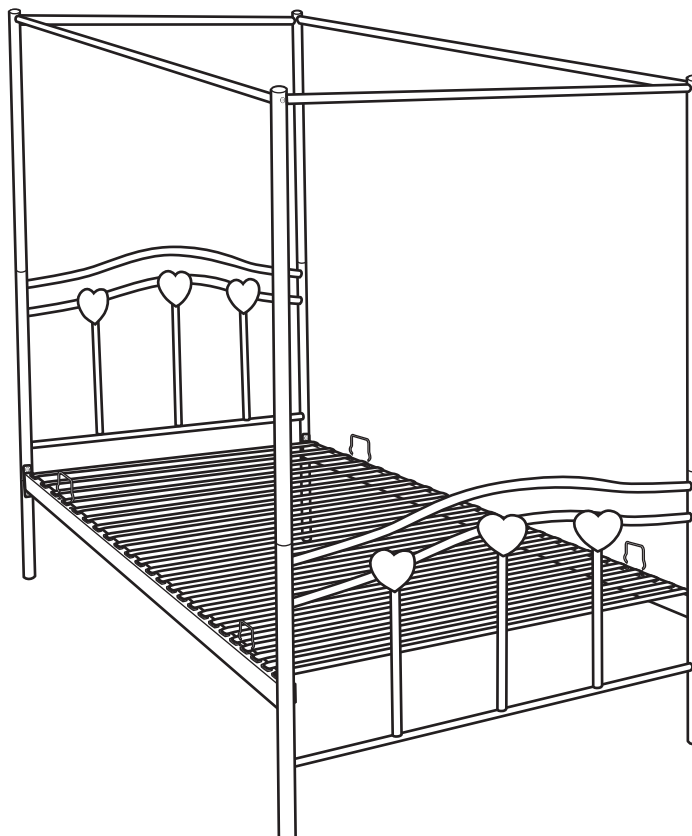
Important: After all slats are positioned, tighten all bolts & nuts fixed in previous steps using allen keys **F**.



Step 8

Attaching mattress stoppers

Insert the mattress stoppers **E** into holes on the side rails **4** as shown.



Assembly is complete.

If you need help or have damaged or missing parts, call the **Customer Helpline:**
Argos = 0345 640 0800