

Hudson - Table

Assembly Instructions - Please keep for future reference

331/8218



Dimensions

Width - 183cm

Depth - 92cm

Height - 76cm

Important – Please read these instructions fully before starting assembly

If you need help or have damaged or missing parts, call the **Customer Helpline: 03456 400 800**

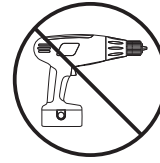


Safety and Care Advice

Important – Please read these instructions fully before starting assembly

- Check you have all the components and tools listed on pages 2 and 3.
- Remove all fittings from the plastic bags and separate them into their groups.
- Keep children and animals away from the work area, small parts could choke if swallowed.
- Make sure you have enough space to layout the parts before starting.
- Do not stand or put weight on the product, this could cause damage.
- Assemble the item as close to its final position (in the same room) as possible.
- Assemble on a soft level surface to avoid damaging the unit or your floor.

- This product has been produced from natural timber; you may notice some variation in the grain and colour of different component parts which is normal for furniture produced using natural wood and is not the result of any manufacturing fault.
- The product has been treated with a wax and oil finish to prevent dirt ingress and preserve moisture.
- On unpacking the furniture you may notice an odour due to this treatment; this will disappear once the furniture is unpacked and assembled after a period of time.
- This process may leave some staining on the packaging material; please take care to ensure this does not transfer to clothing or carpeted surfaces during assembly.



as this could damage the unit. Only use hand screwdrivers.

- We do not recommend the use of power drill/drivers **for inserting screws**,

- Parts of the assembly will be easier with 2 people.
- Dispose of all packaging carefully and responsibly.

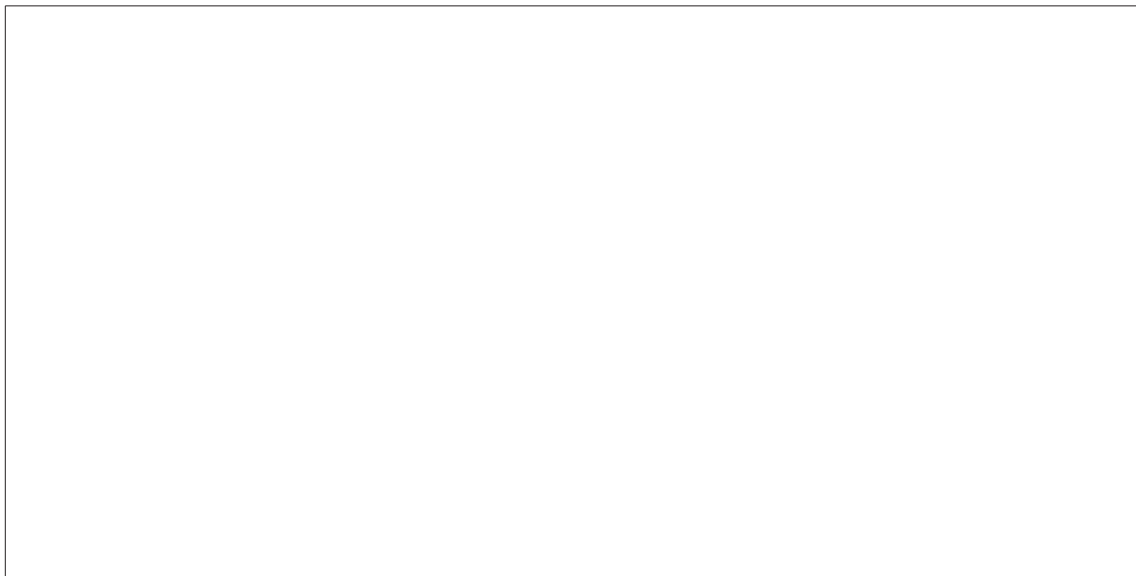
Care and maintenance

- Use an appropriate furniture polish for natural wood furniture and a dry cloth to clean the product.
- Avoid placing the furniture in direct sunlight as this will cause the timber to prematurely age.
- From time to time check that there are no loose screws on this unit.
- This product should not be discarded with household waste. Take to your local authority waste disposal centre.

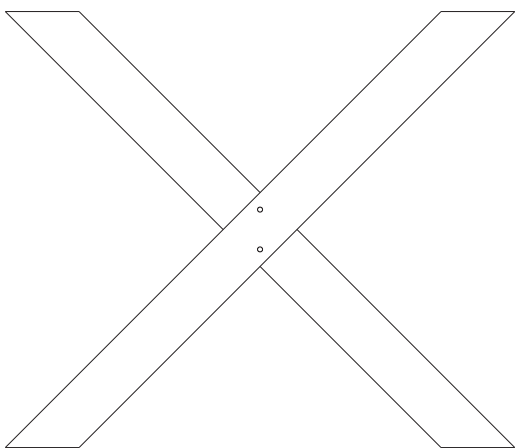
Note: If required the next page can be cut out and used as reference throughout the assembly. Keep this page with these instructions for future reference.

Components - Panels

Please check you have all the panels listed below



1 Top panel (183 x 92cm)



2 Leg x 2 (82 x 70cm)



3 Cross rail (94 x 9.2cm)



4 Support rail x 2 (88 x 9.2cm)

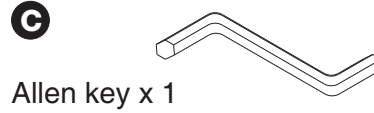
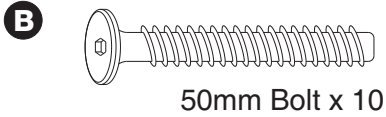
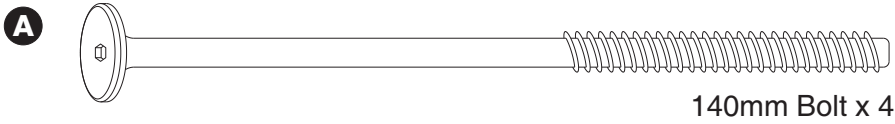


Components - Fittings

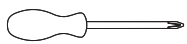
If you have damaged or missing components, call the **Customer Helpline: 03456 400 800**

Please check you have all the fittings listed below

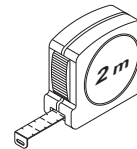
Note: The quantities below are the correct amount to complete the assembly. In some cases more fittings may be supplied than are required.



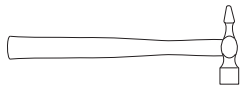
Tools required



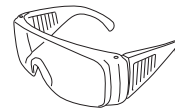
Phillips screwdriver
(small & medium)



Ruler/tape
measure



Small
hammer



Eye protection
(when using a
hammer or glue)

Ruler - Use this ruler to help correctly identify the screws



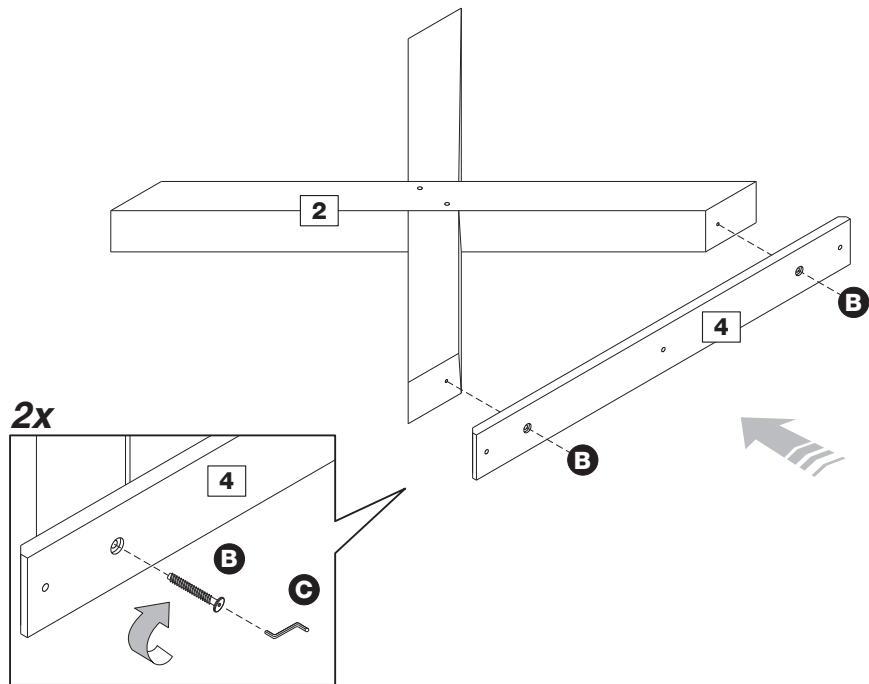
Assembly Instructions

Step 1

Fixing rail.

Fix support rail **4** into the pre drilled holes in the leg **2** using bolts **B** and allen key **C**.

Repeat step 1 for the other leg and support rail.



Step 2

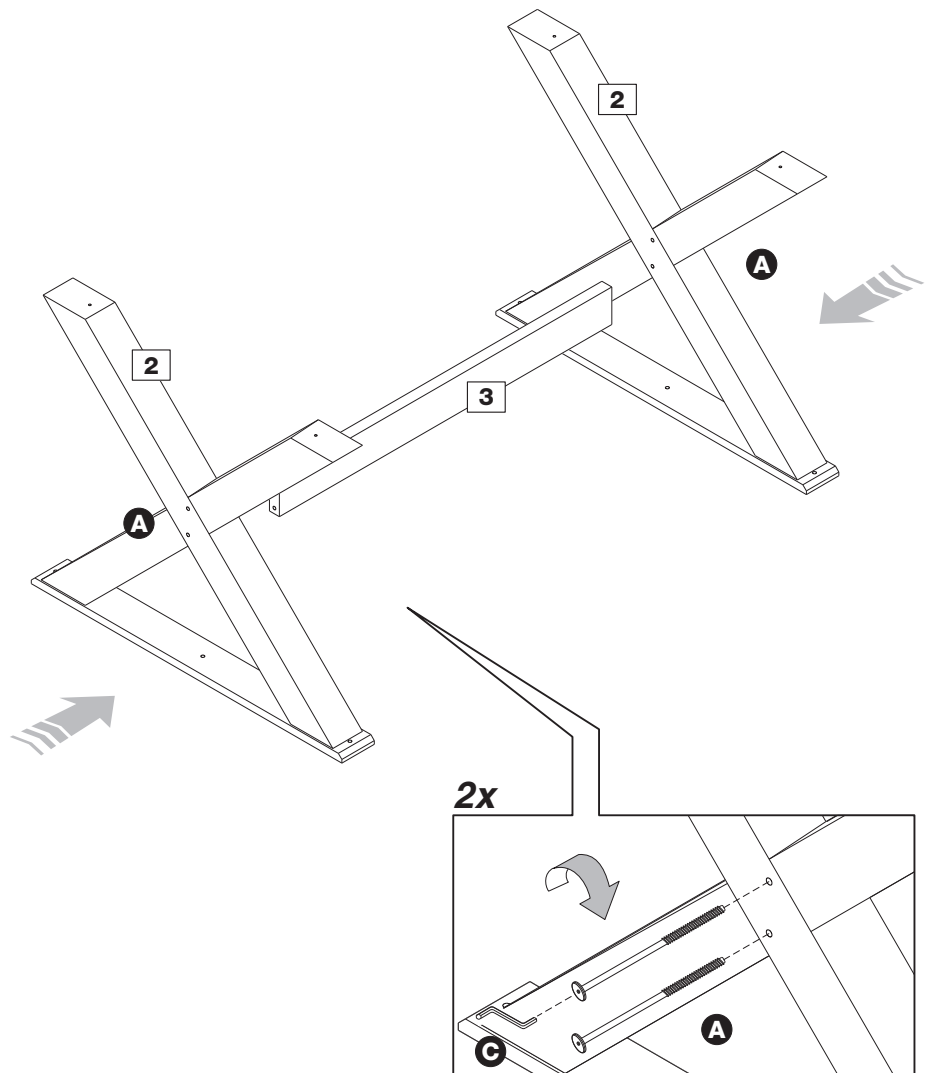
Fixing cross rail.



Important:

Two people are required for an easier assembly.

Fix legs **2** into the pre drilled holes in the cross rail **3** using bolts **A** and allen key **C**.



Assembly Instructions

Step 3

Fixing top panel.



Important:

Two people are required for an easier assembly.

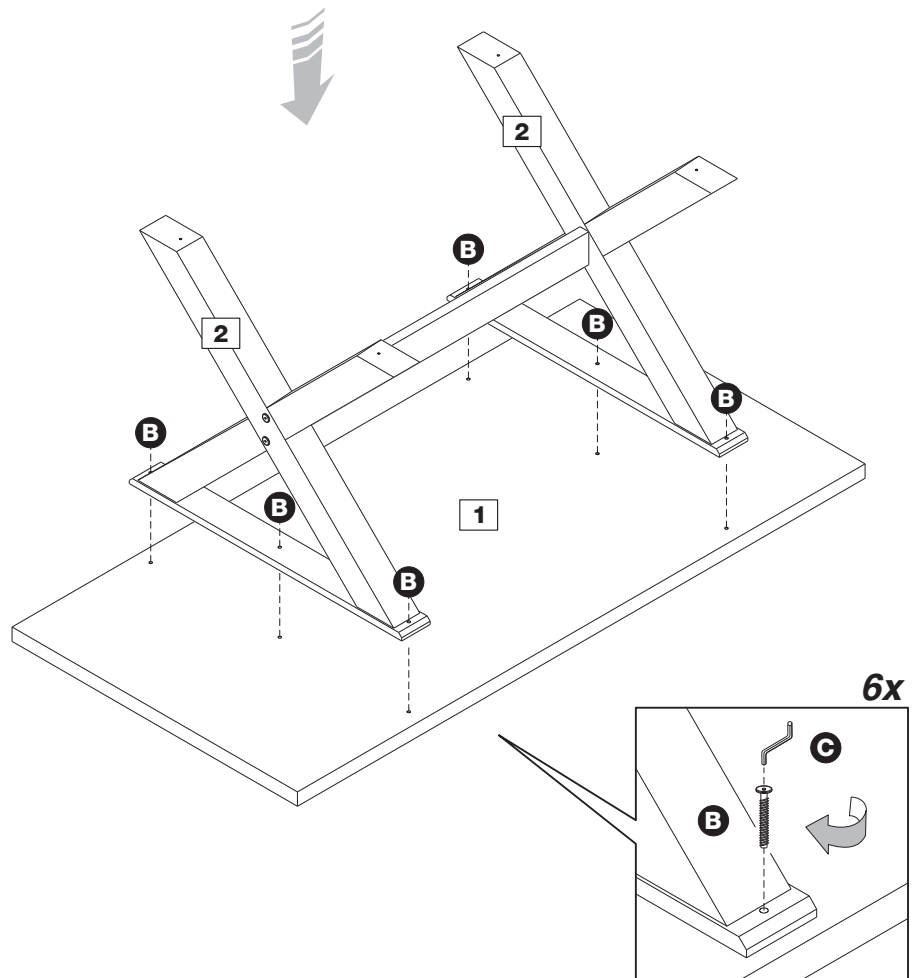


Caution:

Carefully lay the top panel on a soft and clean surface to avoid damaging the product.

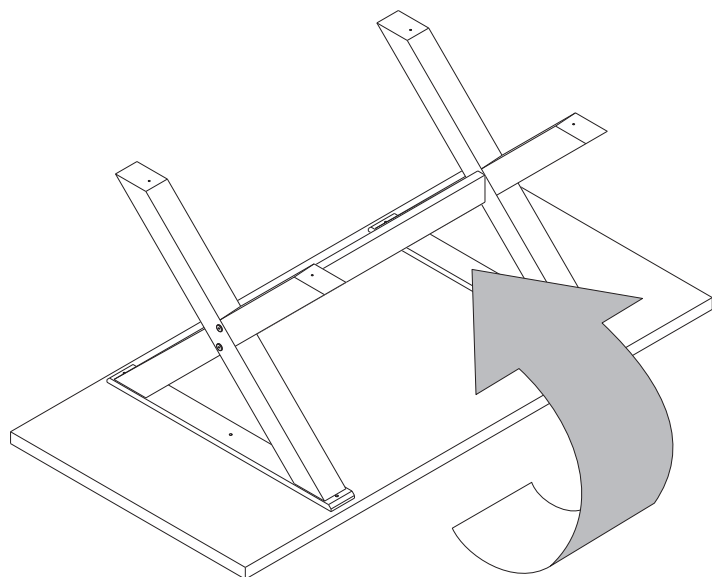
Fix legs **2** into the pre drilled holes in the top panel **1** using bolts **B** and allen key **C**.

Do not overtighten bolts **B**.



Step 4

With help, after fixing top panel, carefully stand the product upright.



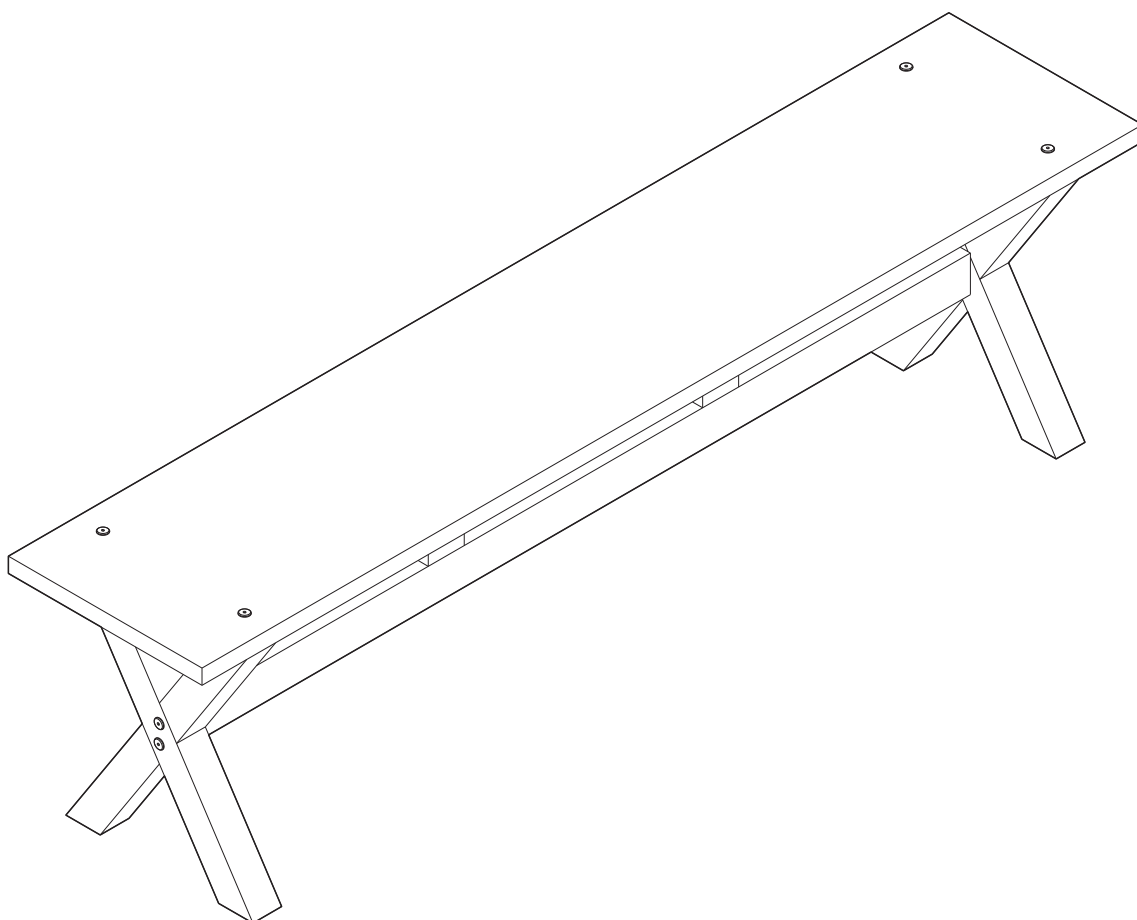
Assembly is complete.

If you need help or have damaged or missing parts, call the **Customer Helpline: 03456 400 800**

Hudson - Cross Leg Bench

Assembly Instructions - Please keep for future reference

356/4828



Dimensions

Width - 170cm

Depth - 35cm

Height - 45cm

Important – Please read these instructions fully before starting assembly

If you need help or have damaged or missing parts, call the **Customer Helpline: 03456 400 800**



Safety and Care Advice

Important – Please read these instructions fully before starting assembly

- Check you have all the components and tools listed on pages 2 and 3.
- Remove all fittings from the plastic bags and separate them into their groups.
- Keep children and animals away from the work area, small parts could choke if swallowed.
- Make sure you have enough space to layout the parts before starting.
- Do not stand or put weight on the product, this could cause damage.
- Assemble the item as close to its final position (in the same room) as possible.
- Assemble on a soft level surface to avoid damaging the unit or your floor.

- This product has been produced from natural timber; you may notice some variation in the grain and colour of different component parts which is normal for furniture produced using natural wood and is not the result of any manufacturing fault.
- The product has been treated with a wax and oil finish to prevent dirt ingress and preserve moisture.
- On unpacking the furniture you may notice an odour due to this treatment; this will disappear once the furniture is unpacked and assembled after a period of time.
- This process may leave some staining on the packaging material; please take care to ensure this does not transfer to clothing or carpeted surfaces during assembly.



- We do not recommend the use of power drill/drivers **for inserting screws**,

as this could damage the unit. Only use hand screwdrivers.

- Parts of the assembly will be easier with 2 people.
- Dispose of all packaging carefully and responsibly.

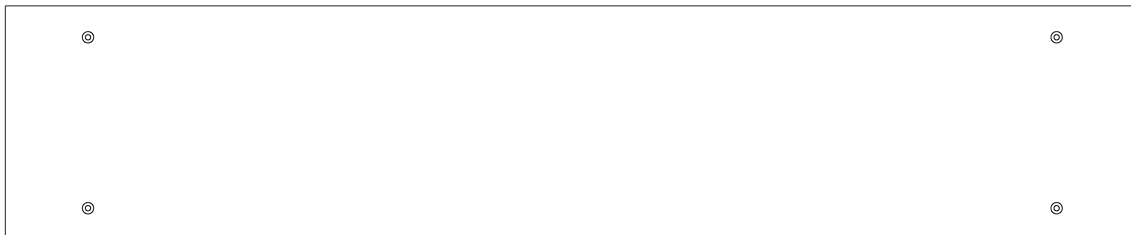
Care and maintenance

- Use an appropriate furniture polish for natural wood furniture and a dry cloth to clean the product.
- Avoid placing the furniture in direct sunlight as this will cause the timber to prematurely age.
- From time to time check that there are no loose screws on this unit.
- This product should not be discarded with household waste. Take to your local authority waste disposal centre.

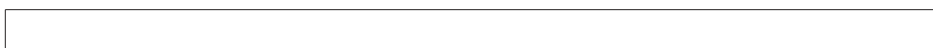
Note: If required the next page can be cut out and used as reference throughout the assembly. Keep this page with these instructions for future reference.

Components - Panels

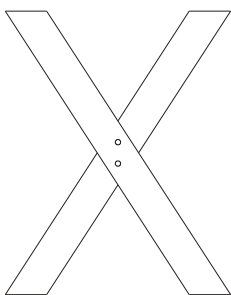
Please check you have all the panels listed below



1 Seat panel (170 x 35cm)



2 Cross rail (140 x 6.5cm)



3 Leg x 2 (42.5 x 33.8cm)



4 Support rail (55 x 4.5cm)



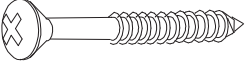
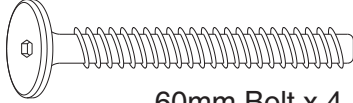
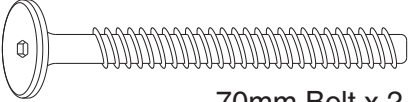
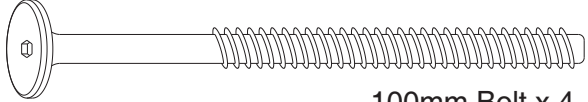

5 Vertical frame x 2 (18 x 6.5cm)

Components - Fittings

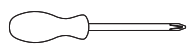
If you have damaged or missing components, call the **Customer Helpline: 03456 400 800**

Please check you have all the fittings listed below

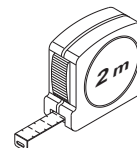
Note: The quantities below are the correct amount to complete the assembly. In some cases more fittings may be supplied than are required.

A  40mm Screw x 7	B  60mm Bolt x 4
C  70mm Bolt x 2	D  100mm Bolt x 4
E  Allen key x 1	

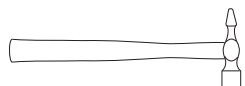
Tools required



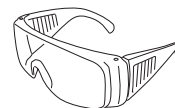
Phillips screwdriver
(small & medium)



Ruler/tape
measure



Small
hammer



Eye protection
(when using a
hammer or glue)

Ruler - Use this ruler to help correctly identify the screws

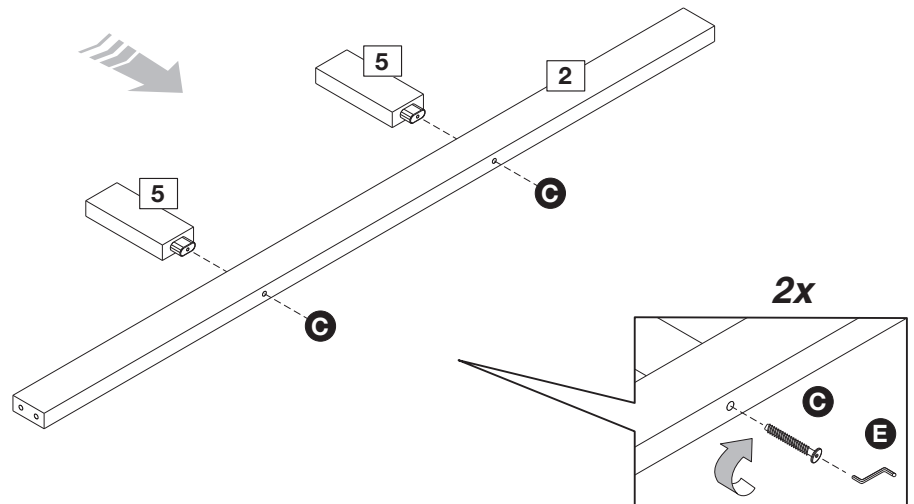


Assembly Instructions

Step 1

Fixing vertical frames.

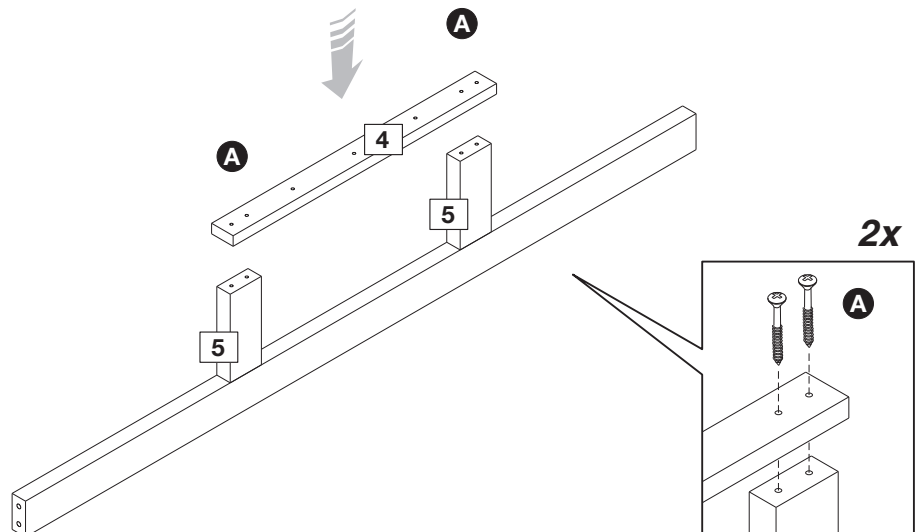
Fit vertical frames **5** to cross rail **2** as shown, then fix using bolts **C** and allen key **E**.



Step 2

Fixing rail.

Fix support rail **4** in the pre drilled holes on vertical frames **5** using screws **A**.



Step 3

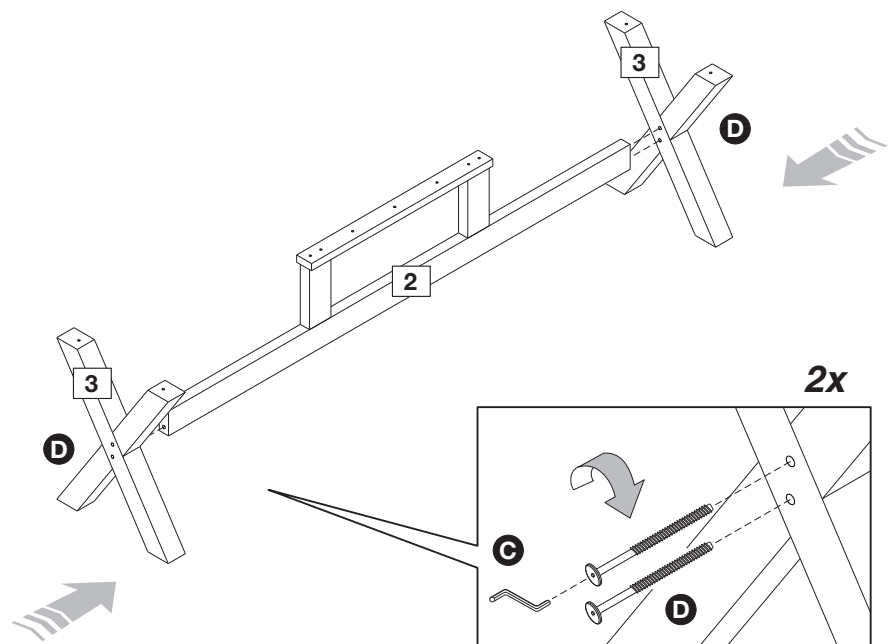
Fixing cross rail.



Important:

Two people are required for an easier assembly.

Fix legs **3** into the pre drilled holes in cross rail **2** using bolts **D** and allen key **E**.



Assembly Instructions

Step 4

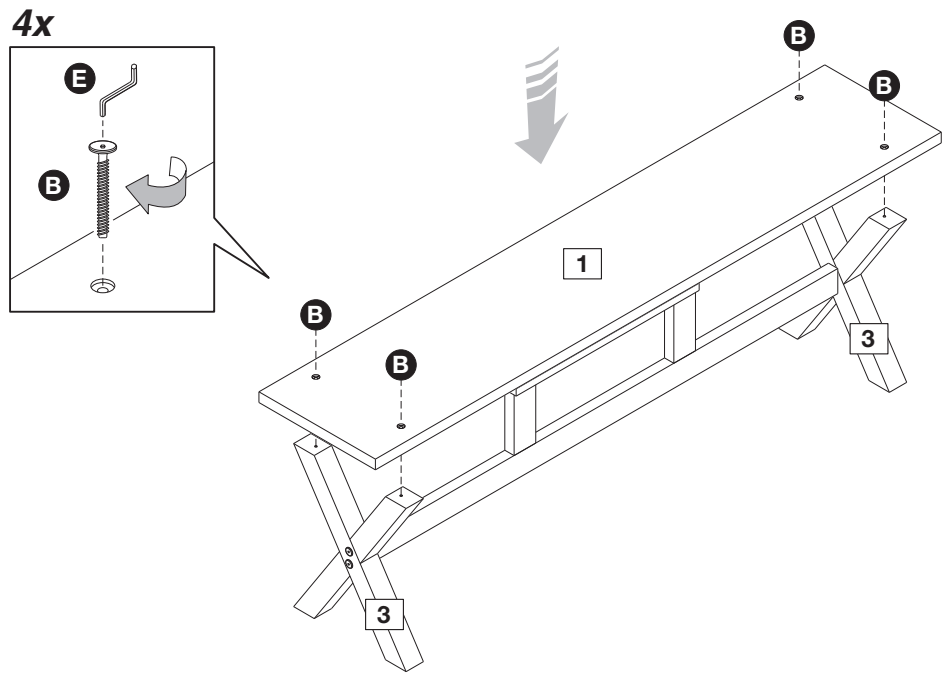
Fixing seat panel.



Important:

Two people are required for an easier assembly.

Fix seat panel **1** into the pre drilled holes in the legs **3** using bolts **B** and allen key **E**.



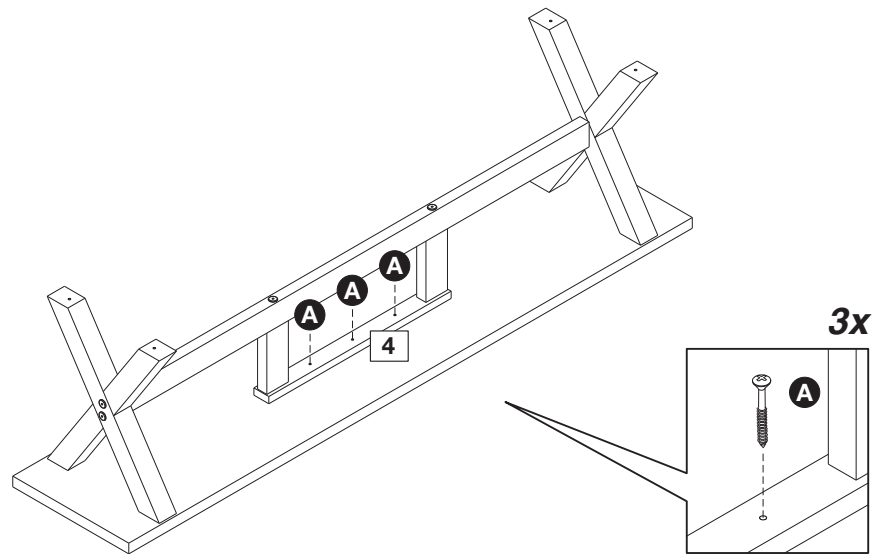
Step 5



Caution:

Carefully lay the seat panel on a soft and clean surface to avoid damaging the product.

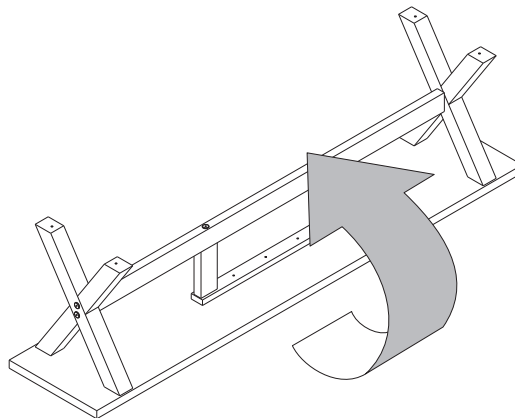
Fix support rail **4** to seat panel using screws **A**.



Step 6

With help, carefully stand the product upright.

Assembly is complete.



If you need help or have damaged or missing parts, call the **Customer Helpline: 03456 400 800**