

Joie™

ECE R44.04:
Group 0+/1/2/3(0-36kg)

every stage™ fx

child restraint

- GB Instruction Manual
- FR Manuel d'instructions
- ES Manual de instrucciones
- PT Manual de Instruções
- NL Handleiding



ECE R44.04: B1
ECE R44.04: ISOFIX

GB Congratulations

You have purchased a high quality, fully certified child safety child restraint. This product is suitable for the use of children weighing UNDER 36kg (approximately 12 years old or under).

Carefully read this Instruction Manual and follow the installing steps because this is the ONLY way to protect your child from serious injury or death in case of an accident, and to provide comfort to your child while using this product.

Keep this instruction manual for future reference.

Please Confirm

Make sure that your vehicle is equipped with 3-point retractor safety-belt.

Seat belts may be different in design and length according to maker, manufacturing date, and type of the vehicle. This child restraint is only suitable for use in the listed vehicles fitted with 3-point retractor safety-belts, approved to UN ECE regulation NO.16 or other equivalent standards.

This child restraint is approved to UN ECE regulation 44, 04 series of amendments.

For warranty information, please visit our website at joiebaby.com

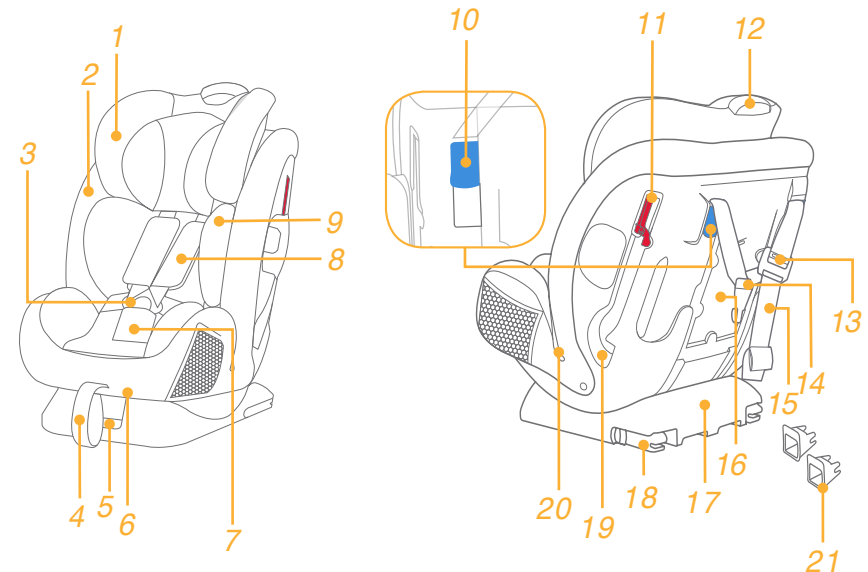
! Please keep the instruction manual in the storage compartment of the rear cover for future reference.

Parts List

Make sure all parts are available before assembly. If any part is missing, please contact local retailer. No tools are required for assembly.

- | | | | |
|----|-------------------------------------|----|--|
| 1 | Head Support | 12 | Head Support Adjustment Lever |
| 2 | Seat Pad | 13 | Tether Strap Adjuster |
| 3 | Buckle | 14 | Tether Hook |
| 4 | Webbing Adjuster | 15 | Top Tether Strap |
| 5 | ISOFIX Attachments Releasing Button | 16 | Instruction Manual Storage Compartment |
| 6 | Recline Adjustment Handle | 17 | Base |
| 7 | Crotch Strap | 18 | ISOFIX Attachments Connector |
| 8 | Shoulder Harness | 19 | Seat Belt Back Slot |
| 9 | Infant Insert | 20 | Lap Belt Guiding |
| 10 | Lock-off | 21 | ISOFIX Attachments Guides |
| 11 | Lock-off Device | | |

Soft goods include Seat Pad, Crotch Pad, Head Support and Infant Insert. Please make sure there are no missing parts. Please contact the retailer if anything is missing.



WARNING

- ! NO child restraint can guarantee full protection from injury in an accident. However, proper use of this child restraint will reduce the risk of serious injury or death to your child.
- ! This child restraint is designed ONLY for child weighing under 36kg (approximately 12 years old or under).
- ! DO NOT use forward facing mode before the child's weight exceeds 9kg.
- ! Any straps holding the restraint to the vehicle should be tight, that any straps restraining the child should be adjusted to the child's body, and that straps should not be twisted.
- ! DO NOT use or install this child restraint until you read and understand the instructions in this manual and in your vehicle owner's manual.
- ! Concern the danger of making any alterations or additions to the device without the approval of the Type Approval Authority, and a danger of not following closely the installation instructions provided by the child restraint manufacturer.
- ! DO NOT make any modification to this child restraint or use it along with component parts from other manufacturers.
- ! DO NOT use this child restraint if it has damaged or missing parts.
- ! DO NOT have your child in unfitted clothes when use this child restraint in baby or toddler mode, because this may prevent your child from being properly and securely fastened by the shoulder harnesses and the harnesses between thighs.
- ! When use this child restraint in baby or toddler mode, the safety belt must be used correctly, and ensure that any lap strap is worn low down, so that the pelvis is firmly engaged.
- ! DO NOT leave this child restraint unbelted or unsecured in your vehicle because unsecured child restraint can be thrown around and may injure occupants in a sharp turn, sudden stop, or collision. Remove it if not in regular use.
- ! Child is not left in the child restraint system unattended.
- ! Do not place the child restraint in seating positions where an active frontal airbag is installed if your child is still in rear facing mode.

WARNING

- ! NEVER use a second-hand child restraint or a child restraint whose history you do not know because they may have structural damage that endangers your child's safety.
- ! Please keep this child restraint away from sunlight, otherwise it may be too hot for the child's skin.
- ! NEVER use ropes or any other substitutes in place of seat belts in case of injuries from restraint.
- ! DO NOT use this child restraint as a regular chair as it tends to fall down and injure the child.
- ! The child restraint shall not be used without the soft goods.
- ! The soft goods should not be replaced with any other than the one recommended by the manufacturer, because the soft goods constitutes an integral part of the restraint performance.
- ! DO NOT put anything other than the recommended inner cushions in this child restraint.
- ! DO NOT carry this child restraint with a child in it.
- ! Any luggage or other objects liable to cause injuries in the event of a collision shall be properly secured.
- ! Do not allow the child restraint harness or buckles to become trapped or caught in the vehicle seat or door.
- ! The device should be changed when it has been subject to violent stresses in an accident.
- ! Remove this child restraint from the vehicle seat when it is not in use for a long period of time.
- ! To avoid suffocation, remove plastic bag and packaging materials before using this product. The plastic bag and packaging materials should then be kept away from babies and children.
- ! Consult the distributor for issues concerning maintenance, repair and part replacement.
- ! DO NOT use any load bearing contact points other than those described in the instructions and marked in the child restraint.
- ! Frequently check the ISOFIX attachments guides for dirt and clean them if necessary. Reliability can be effected by ingress of dirt, dust, food particles etc.

WARNING

! DO NOT install this child restraint under the following conditions:

1. Vehicle seats with 2-point safety belts.
2. Vehicle seats facing sideward or rearward with respect to the running direction of the vehicle.
3. Vehicle seats unstable during installation.

Emergency

In case of emergency or accidents, it is most important to have your child taken care of with first aid and medical treatment immediately.

Product Information

For Installation with 3-point-belt or with ISOFIX (ISOFIX attachments and top tether)

1. This is a 'Universal' child restraint. It is approved to UN ECE regulation 44, 04 series of amendments, for general use in vehicles and it will fit most, but not all, car seats.
2. A correct fit is likely if the vehicle manufacturer has declared in the vehicle handbook that the vehicle is capable of accepting a 'Universal' child restraint for this age group.
3. This child restraint has been classified as 'Universal' under more stringent conditions than those which applied to earlier designs which do not carry this notice.
4. If in doubt, please consult the child restraint manufacturer or the retailer.

For Installation with ISOFIX (ISOFIX attachments and top tether)

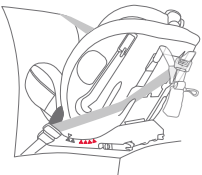

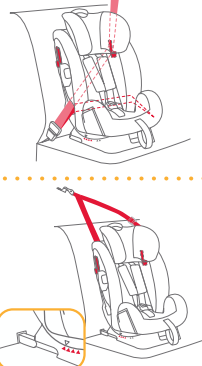

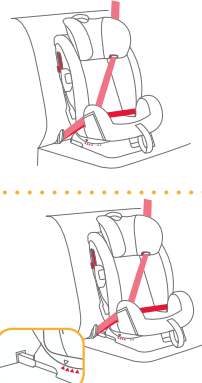

1. This is an ISOFIX CHILD RESTRAINT SYSTEM. It is approved to Regulation No. 44, 04 series of amendments for general use in vehicles fitted with ISOFIX anchorages systems. It is suitable for fixing into the seat positions of most cars.
2. It will fit vehicles with positions approved as ISOFIX positions (as detailed in the vehicle handbook), depending on the category of the child restraint and of the fixture.
3. Seat positions in other cars may also be suitable to accept the child restraint. If in doubt, consult either the child restraint manufacturer or vehicle manufacturer.
4. The ISOFIX size class for which this device is intended is B1.

For Installation with ISOFIX attachments and 3-point-belt

1. The child restraint is classified for "Semi-Universal" use.
2. Seat positions in other cars may also be suitable to accept the child restraint. If in doubt, consult either the child restraint manufacturer or vehicle manufacturer.

Product	Child Restraint
Model	C1602
Suitable for	Child weighing 0 - 36kg (approximately 0 - 12 years)
Mass Group	0+/1/2/3
Materials	Plastics, metal, fabrics
Patent No.	Patents pending

Choose the Installation Mode

Child's Weight	Installation Mode	Figure for Installation	Reference Age	Seat Position	Infant Insert Instructions
<18kg	Baby mode		<4 years	Position 5-6 	Infant insert must be used from 0-9 months to help restrain the child tightly
9-18kg	Toddler mode		1 year to 4 years	Position 1-4 	When installing the child restraint in the toddler mode, do not use the infant insert.
15-36kg	Junior mode		3 years to 12 years	Position 1-4 	When installing the child restraint in the junior mode, do not use the infant insert.

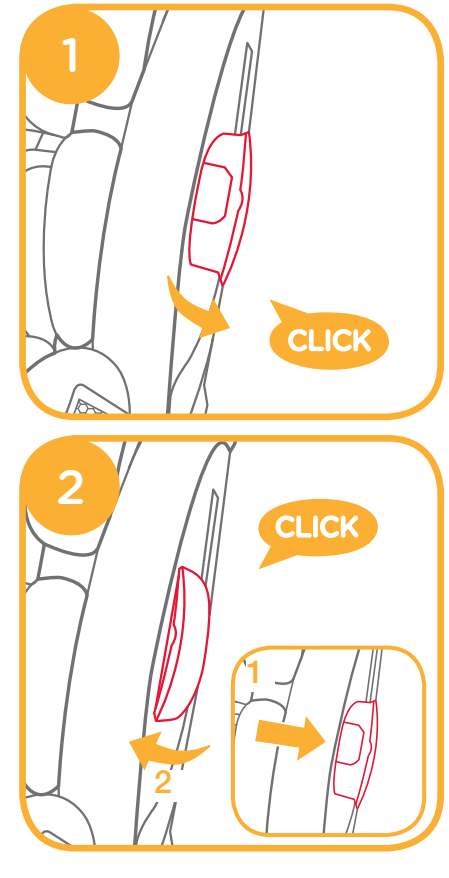
Important

1. DO NOT use forward facing mode before the child's weight exceeds 9kg.
2. When the child is suitable for both toddler and baby modes, it is recommended to install this child restraint in the baby mode as it is relatively safer.

Use Side Impact Shield

see images 1 - 2

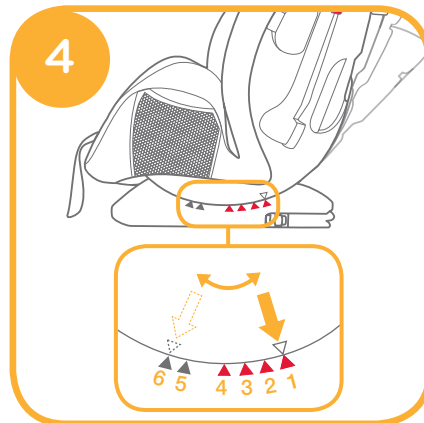
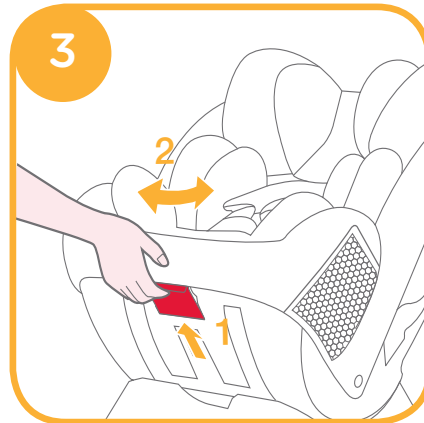
- ! Must open the side impact shield to protect the child more safely. The side impact shield opposite to the vehicle door can be closed to allow more seating space.



Recline Adjustment

see images 3 - 4

Press the recline adjustment handle, and adjust the child restraint to the proper position. 3



The recline angles are shown as 4

There are two recline angles 5-6 for baby mode, they are marked as blue triangles.

There are four recline angles 1-4 for toddler mode and junior mode, they are marked as red triangles.

Angle indication: with top and bottom triangles aligned.

! Make sure that vehicle seat belt will be retightened when adjusted in reclining position and vice versa if seat was already buckled up properly previously.

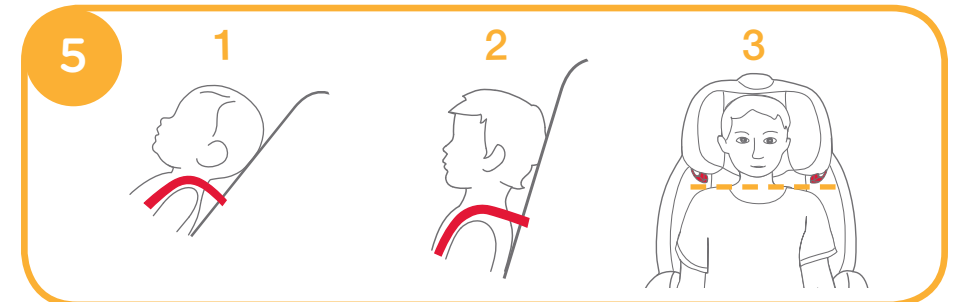
Height Adjustment for Head Support and Shoulder Harnesses

see images 5 - 6

Please adjust the head support and shoulder harnesses to proper height according to the child's height.

- ! When used in baby mode, the shoulder harness height must be even with child's shoulders. 5-1
- ! When used in toddler mode, the shoulder harness height must be even with child's shoulders. 5-2
- ! When used in junior mode, the shoulder belt guides must be even with child's shoulders. 5-3

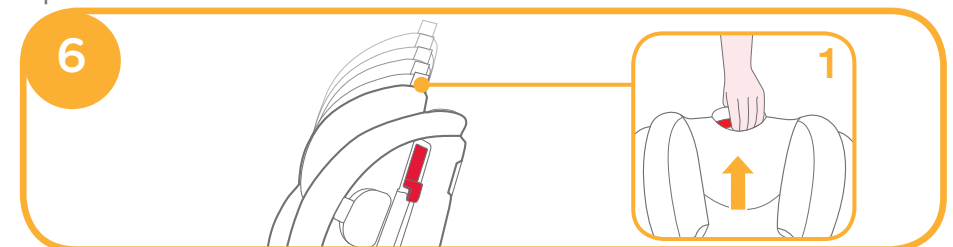
If the shoulder harnesses are not at proper height, the child may be thrown from the child restraint when there is an accident.



Squeeze the head support adjustment lever, meanwhile pull up or push down the head support until it snaps into one of the 10 positions.

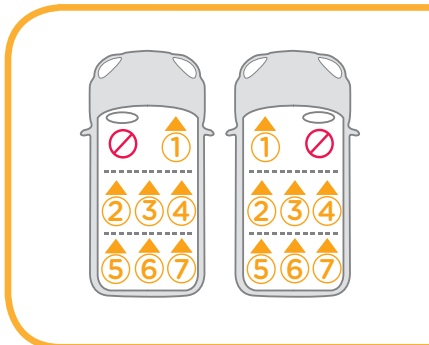
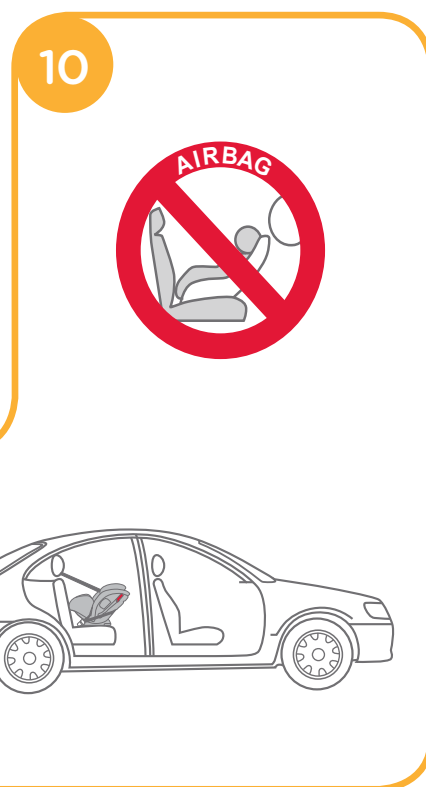
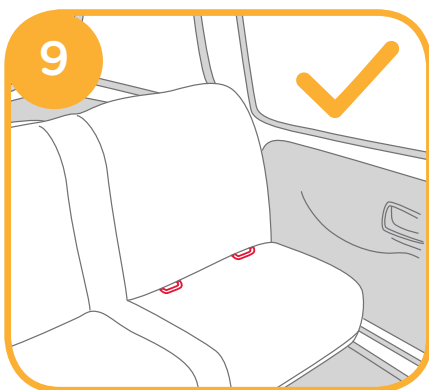
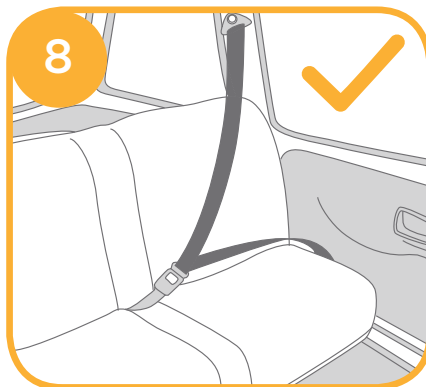
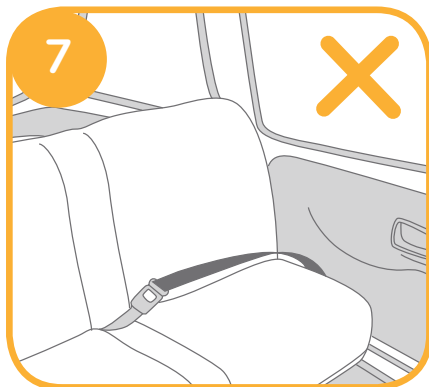
The head support positions are shown as 6

! Side wings are able to open while the head support is adjusted to the 6th position.



Concerns on Installation

see images 7 - 10



Baby Mode

(Rearward Facing Mode / for Child under 18kg / Newborn-4 years old)

see images 11 - 20

! Please install the child restraint on the rear vehicle seat, and then put the child in the child restraint.

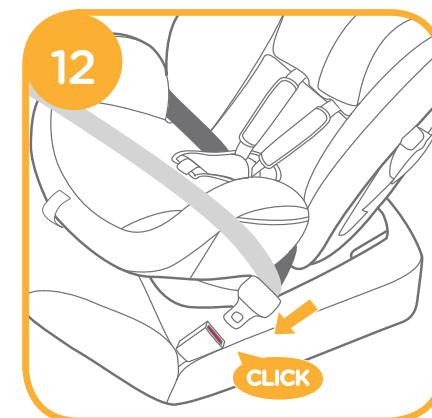
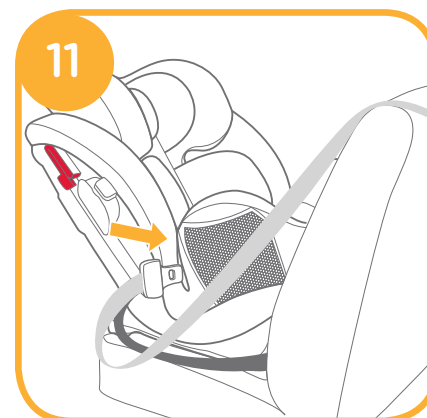
i. Installation for Baby Mode

! Please adjust the child restraint to proper angle (2 positions for baby mode). Angle indication: With top triangle and blue triangle aligned.

! Make sure the shoulder harness is adjusted to proper height before installing this child restraint.

! When installing and adjusting the safety belts, make sure that both the shoulder belt and the waist belt are not twisted and will not stop the safety belts from functioning properly.

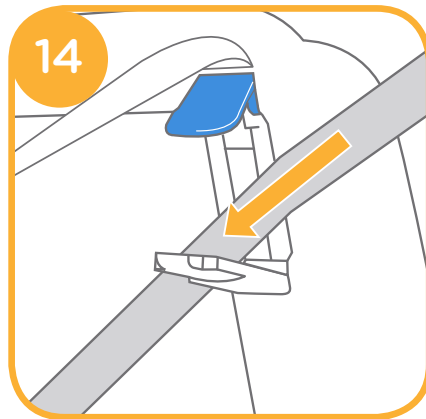
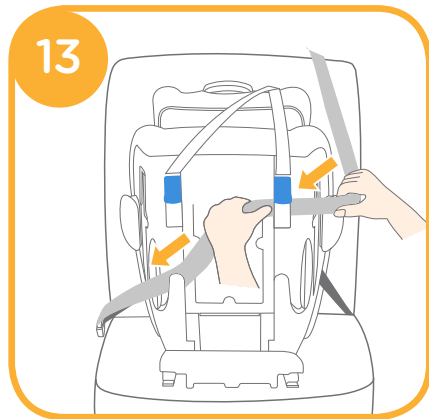
1. Pass the waist belt over lap belt guidings, and then engage the vehicle buckle tongue into the buckle. 11 12



2. Fasten the shoulder belt in the two shoulder-belt slots at the back of the child restraint. **13**

! Shoulder belt must pass through the Lock-off **14**.

! Ensure the belt lock off cover is completely closed when not in use to prevent injury, or damage to vehicle upholstery.



3. While pressing the child restraint, pull the belts to fasten the child restraint tightly and securely. **15**

! The child restraint can not be used if the vehicle safety belt buckle (female buckle end) is too long to anchor the child restraint securely.

! Please check by moving the child restraint back and forth.

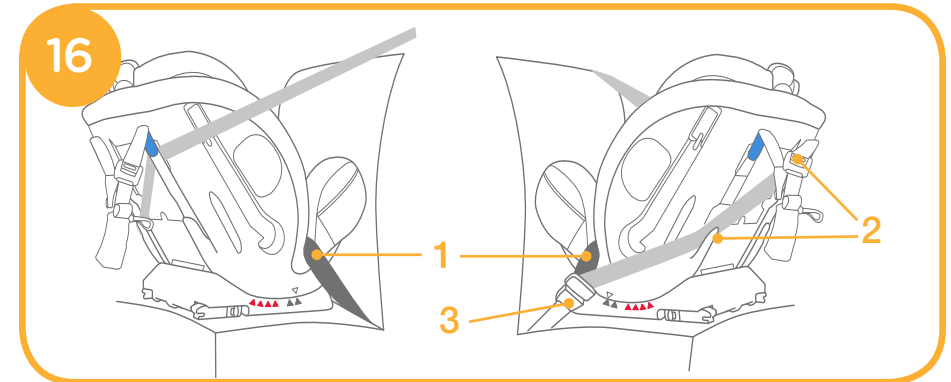


Correctly assembled vehicle belt is shown as **16**

! Waist belt passes through the lap belt guidings, as **16** -1

! Shoulder belt must pass through the shoulder-belt slots, as **16** -2

! The vehicle buckle tongue is engaged with the buckle correctly, as **16** -3



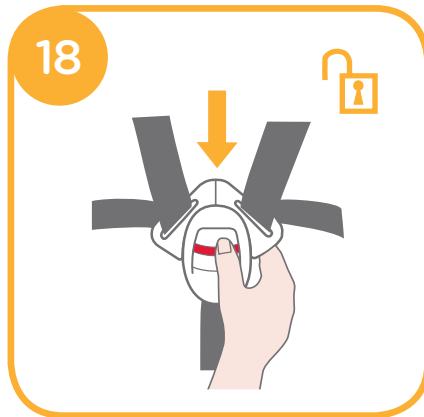
ii. Securing your Child in the Child Restraint Use Infant Insert

	<p>Detach the snaps on the head support to remove the head portion of the insert.</p>	<p>Remove the head support portion of the infant insert when the child's head no longer fits comfortably.</p>
	<p>Remove the body portion of the infant insert when the infant's shoulders no longer fit comfortably.</p>	
<p>We recommend using the full infant insert while the baby is 0-9 months or until they outgrow the insert. The infant insert increases side impact protection.</p>		<p>1</p>
	<p>2</p>	<p>Remove the infant insert cushion by detaching the snaps to allow more space when the infant does not fit comfortably. The cushion can be used separately without being attached to the insert to bolster the infant's back for more comfort.</p>

1. While pressing the harness adjustment button, pull completely the two shoulder harnesses of the child restraint. 17

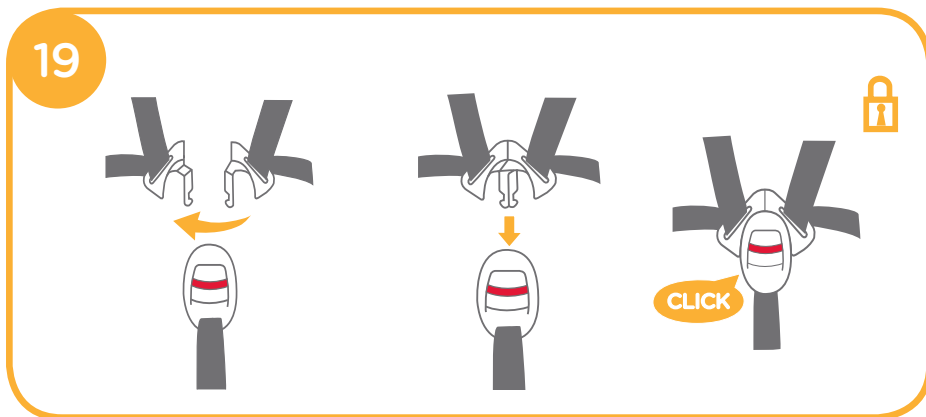


2. Press the red button to disengage the buckle. 18



3. Place the child in the child restraint and pass both arms through the harnesses.

4. Engage the buckle. 19



5. Pull down the adjustment webbing and adjust it to the proper length to make sure your child is snugly secured. 20



! After the child is seated, recheck whether the shoulder harnesses are at the proper height.

! Make sure the space between the child and the shoulder harness is about the thickness of one hand.

Toddler Mode

(Forward Facing Mode/ for Child between 9-18kg / 1-4 years old)

see images 21 - 39

! Please install the child restraint on the vehicle seat, and then put the child in the child restraint.

i. Installation for Toddler Mode

! Please adjust the child restraint to proper angle (4 positions for toddler mode). Angle indication: With top triangle and red triangle aligned.

! Please adjust the shoulder harnesses to proper height before installing the child restraint.

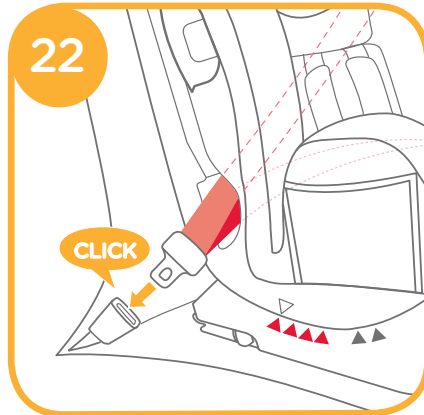
! When installing and adjusting the safety belts, make sure that both the shoulder belt and the waist belt are not twisted and will not keep the safety belts from being properly positioned.

a. For installation with 3-point-belt

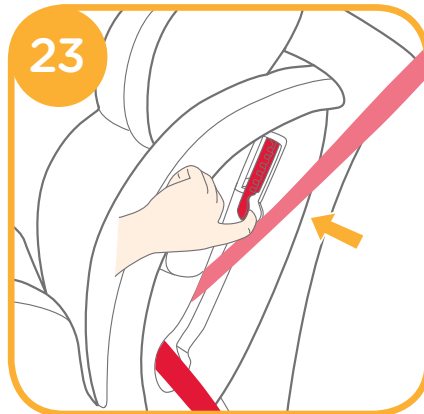
1. Thread the safety belt through two seat belt back slots at the back of the child restraint. 21



2. Buckle the safety belt. 22



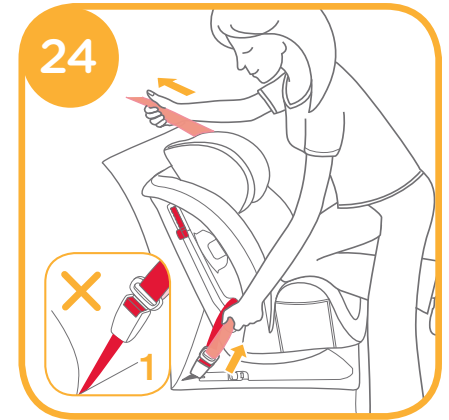
3. Open the lock-off device and insert the safety belt through it. 23



4. While pressing the child restraint, pull the belts to fasten the child restraint tightly and securely. 24

! The child restraint can not be used if the vehicle safety belt buckle (female buckle end) is too long to anchor the child restraint securely. 24 -1

! Please check by moving the child restraint back and forth.

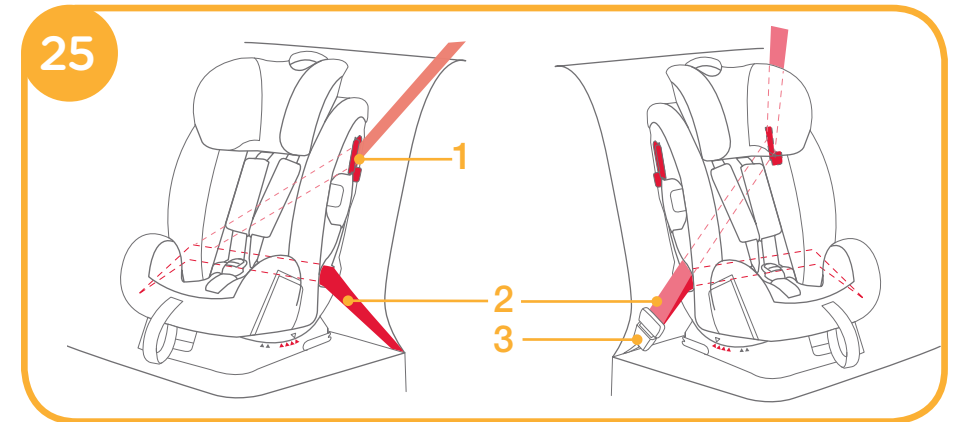


The assembled safety belt is shown as 25

! Shoulder belt passes through Lock-off Device, as 25 -1

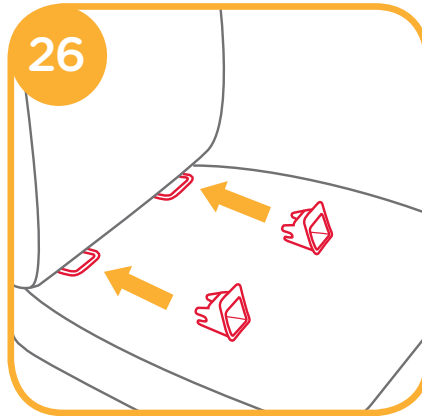
! Waist belt passes through the seat belt back slots, as 25 -2

! The vehicle buckle tongue is engaged with the buckle correctly, as 25 -3

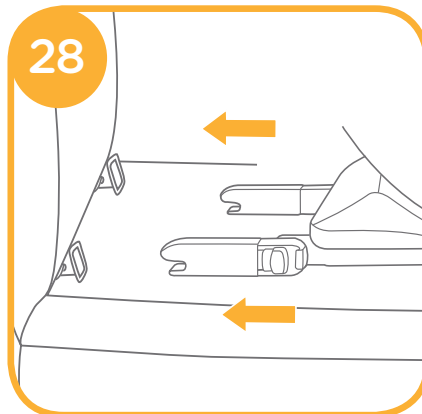
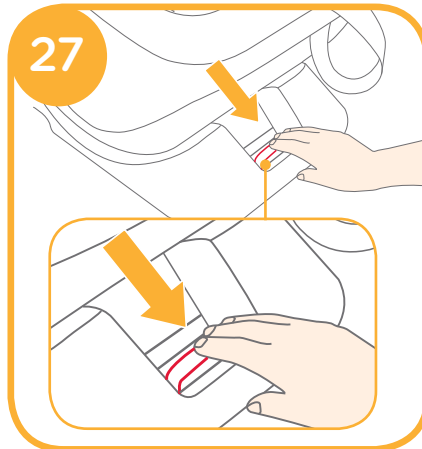


**b. For installation with ISOFIX
(ISOFIX attachments and top tether)**

1. Fit the ISOFIX attachments guides with the ISOFIX attachments anchor points. The ISOFIX attachments guides can protect the surface of the vehicle seat from being torn. They can also guide the ISOFIX attachments connectors. **26**



2. Extend the ISOFIX attachments connectors by depressing on the release button **27** whilst pulling on the connector **28**



! Make sure that both ISOFIX attachments connectors are securely attached to their ISOFIX attachments anchor points. The colors of the indicators on both ISOFIX attachments connectors should be completely green. **29**

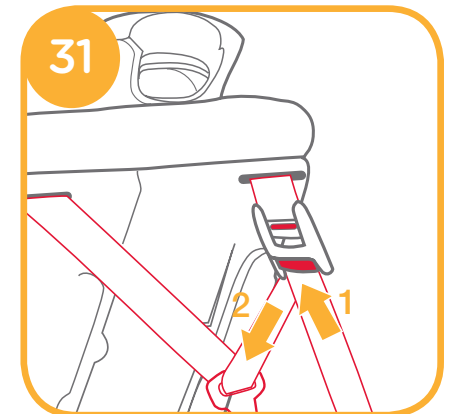
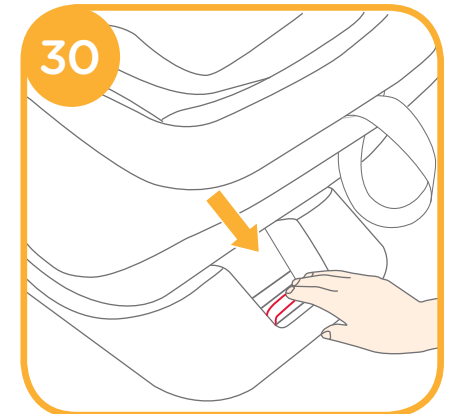
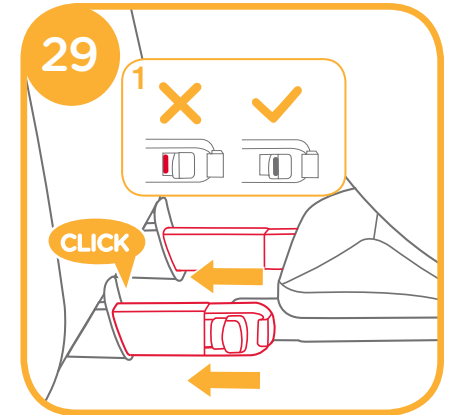
! The ISOFIX attachments connectors must be attached and locked onto the ISOFIX attachments anchor points.

! Check to make sure the child restraint is securely installed by pulling on the both ISOFIX attachments connectors.

! Select the desired recline position before moving back against the vehicle seat, as once the top tether is attached and tensioned, the recline angle will not be able to change without adjustment to the top tether.

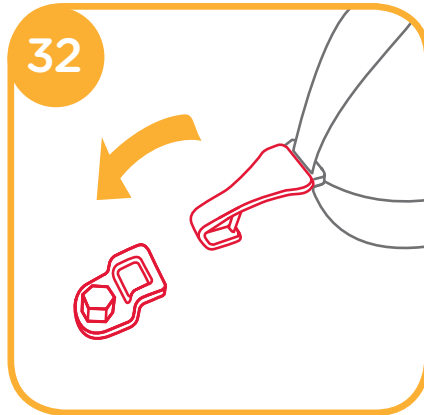
3. Press the ISOFIX attachments release button and push the child restraint back against the vehicle seat until tight. **30**

4. To extend Top Tether for use, press button on Tether Adjuster and pull to lengthen. **31**



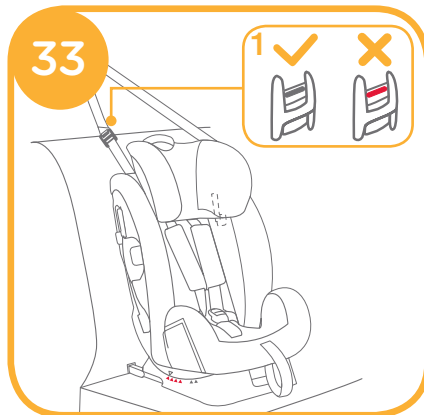
5. Connect the tether hook securely to the anchorage fitting. **32**

! USE Top Tether for toddler mode installation if vehicle is equipped with a Tether anchorage fitting and vehicle requirements are met (see vehicle owner's manual).



6. Correctly assembled ISOFIX (ISOFIX attachments and top tether) is shown as **33**

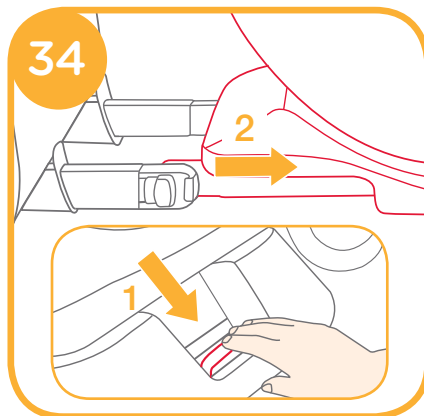
! Make sure that tether hook are securely attached to the anchorage fitting. The colors of the indicators on tether strap adjuster should be completely green. **33 -1**



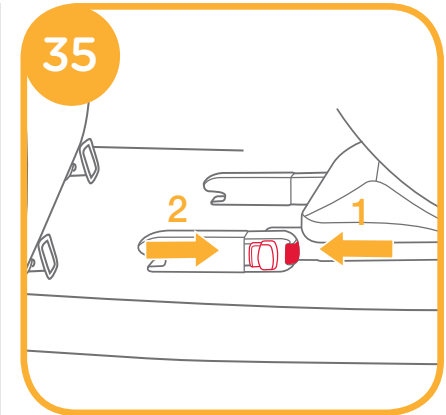
! If recline angle is adjusted, check the tension on the top tether, or loosen to adjust angle then re-tension.

Removing the base

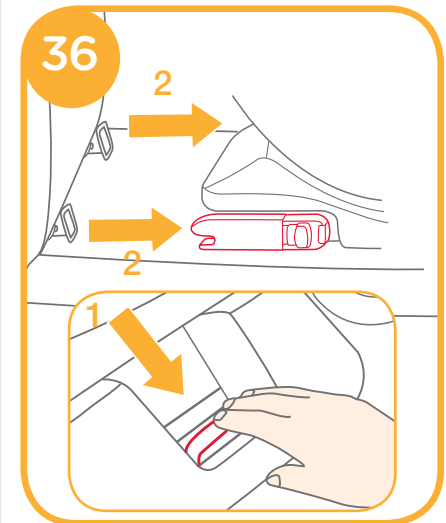
1. To remove from the vehicle press the ISOFIX attachments release button **34 -1** and pull the base back from the seat. **34 -2**



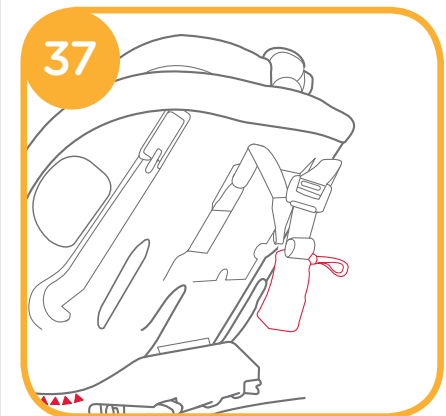
2. Then press and release the connectors from the vehicle's ISOFIX. **35**



! The ISOFIX attachments is folded completely. **36**



! When not in use, Top Tether MUST be properly stored. To make sure the top tether is properly stored away, remove any slack in strap to avoid the top tether swinging around when the vehicle is in progress. **37**

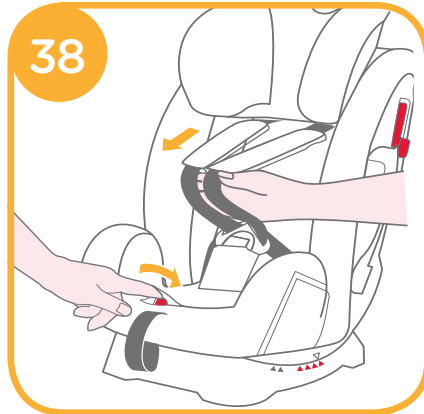


! When the pocket is not used, please store it properly.

ii. Securing your Child in the Child Restraint

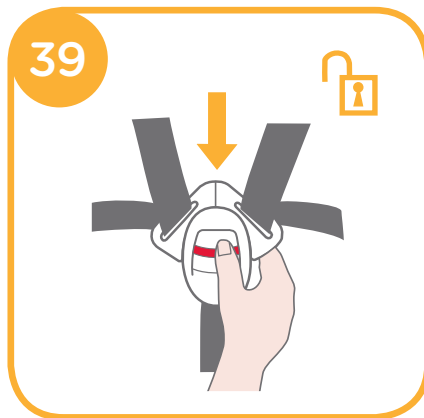
! When installing the child restraint in the toddler mode, do not use the infant insert.

1. While pressing the harness adjustment button, pull completely the two shoulder harnesses of the child restraint. 38



2. Press the red button to disengage the buckle. 39

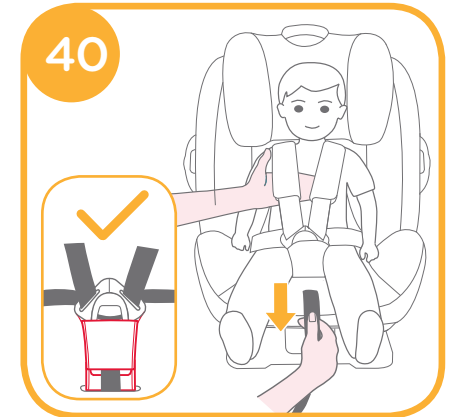
3. Place the child in the child restraint and engage the buckle.



4. Pull down the adjustment webbing and adjust it to the proper length so that your child is snugly secured. 40

! After the child is seated, recheck whether the shoulder harnesses are at proper height.

! Make sure the space between the child and the shoulder harness is about the thickness of one hand.



Junior Mode

(Forward Facing Mode/for Child 15–36kg / 3–12 years old)

see images 41 - 46

i. Installation for Junior Mode

! Just use the vehicle seat belt when installing the child restraint in the junior mode, do not use the infant insert or 5 point harness, please store the shoulder harnesses, buckle and buckle tongues in respective storage compartments.

! Please adjust the shoulder harnesses to proper length before store the shoulder harnesses and buckle in their storage compartments.

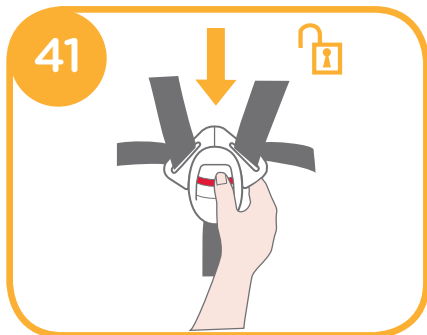
! Please adjust the child restraint to proper angle (4 positions for junior mode). Angle indication: With top triangle and red triangle aligned.

! When installing and adjusting the safety belts, make sure that both the shoulder belt and the waist belt are not twisted and will not keep the safety belts from being properly positioned.

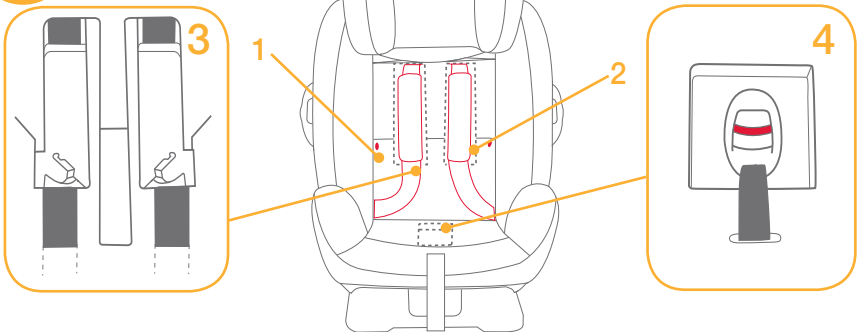
1. Press the red button to disengage the buckle. 41

2. Remove the infant insert and crotch pad.

! When installing the child restraint in the Junior mode, do not use the infant insert.



42



3. Detach the snaps. 42 -1

4. Lift the upper flap upward and pull the lower flap forward, and then store the shoulder harnesses and buckle in their storage compartments. 42 -2 & 42 -3

5. Pull the buckle to the back of the seat pad, and then store the buckle and buckle tongues in respective storage compartments. 42 -4

6. Do reattach the snaps to recover the seat pad. The reassembled seat pad is shown as 43



ii. Securing your Child in the Child Restraint

a. For installation with 3-point-belt

1. Place the child in the child restraint and check whether the shoulder belt guides are at proper height.

2. Position shoulder belt through shoulder belt guide, pass waist belt through lap belt guidings. Fasten buckle and pull the vehicle belt to tighten. 44

! Shoulder belt must pass through shoulder belt guide. 45 -1

! Waist belt must pass through lap belt guidings.

! The vehicle waist belt must cross through the middle of the crotch belt cover and then attach the loop and hook fasteners. 44 -2

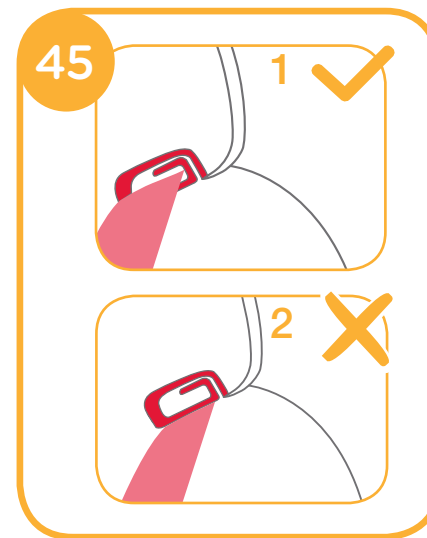
! The child restraint can not be used if the vehicle safety belt buckle (female buckle end) is too long to anchor the child restraint securely. 44 -1

! Never use a vehicle waist-only belt across front of child.

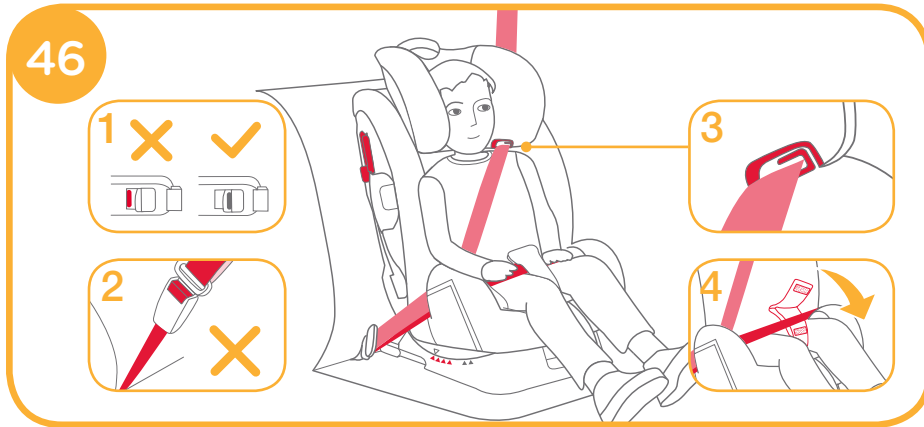
! Do not use shoulder belt loose or positioned under arm.

! Do not use shoulder belt behind child's back.

! Do not allow child to slide down in the child restraint in case of strangulation.



b. For installation with 3-point-belt and ISOFIX attachments



1. Installation with ISOFIX attachments is show as 26 - 30
 2. Place the child in the child restraint and check whether the shoulder belt guides are at proper height.
 3. Installation with 3-point-belt is show as 44 - 45
 4. Correctly assembled 3-point-belt and ISOFIX attachments is shown as 46
- ! Make sure that both ISOFIX attachments connectors are securely attached to their ISOFIX attachments anchor points. The colors of the indicators on both ISOFIX attachments connectors should be completely green. 46 -1
 - ! Check to make sure the child restraint is securely installed by pulling on the both ISOFIX attachments connectors.
 - ! Shoulder belt must pass through shoulder belt guide. 46 -3
 - ! The vehicle waist belt must cross through the middle of the crotch belt cover and then attach the loop and hook fasteners. 46 -4
 - ! Waist belt must pass through lap belt guidings.
 - ! The child restraint can not be used if the vehicle safety belt buckle (female buckle end) is too long to anchor the child restraint securely. 46 -2
 - ! Never use a vehicle waist-only belt across front of child.
 - ! Do not use shoulder belt loose or positioned under arm.
 - ! Do not use shoulder belt behind child's back.
 - ! Do not allow child to slide down in the child restraint in case of strangulation.

Detach Soft Goods

see images 47

1. Press the red button to disengage the buckle.
2. Remove the infant insert and crotch strap.
3. Detach the elastic on the head support, and then remove the head support.
4. Detach the snaps on the seat pad, pull the buckle to the back of seat pad, and then remove the seat pad. 47

! To assemble soft goods, reverse the steps above.



Maintenance

Note

- ! After removing the foam of infant insert, please store it somewhere that the child can not access it.
- ! Please wash the soft goods with cold water under 30°C.
- ! Do not iron the soft goods.
- ! Do not bleach or dry clean the soft goods.
- ! Do not use undiluted neutral detergent, gasoline or other organic solvent to wash the child restraint. It may cause damage to the child restraint.
- ! Do not twist the soft goods to dry with great force. It may leave the soft goods with wrinkles.
- ! Please hang dry the soft goods in the shade.
- ! Please remove the child restraint from the vehicle seat if not in use for a long period of time. Put the child restraint in the shade and somewhere your child can not access it.



FR Félicitations

Vous avez acheté un dispositif de retenue pour enfants, de haute qualité, sûr et pleinement certifié. Ce produit est adapté aux enfants pesant MOINS de 36 kg (environ 12 ans ou moins).

Lisez attentivement ce manuel d'instructions et suivez les étapes d'installation, car il s'agit de l'UNIQUE façon de protéger vos enfants contre des blessures sérieuses ou la mort en cas d'accident, et de proposer du confort à votre enfant lors de l'utilisation de ce produit.

Conservez ce manuel d'instructions pour toute référence future.

Points à confirmer

Vérifiez que votre véhicule est équipé de ceintures de sécurité rétractables à 3 points.

Les ceintures peuvent être différentes en conception et longueur en fonction du fabricant, de la date de fabrication et du type de véhicule. Ce dispositif de retenue pour enfants convient uniquement pour les véhicules répertoriés dotés de ceintures de sécurité rétractables à 3 points et conformes à la réglementation UN ECE 16 ou d'autres normes équivalentes.

Ce dispositif de retenue pour enfants est approuvé par la série d'amendements 44, 04 de la réglementation UN ECE.

! Veuillez conserver le manuel d'instructions dans le compartiment de stockage du couvercle arrière pour toute consultation ultérieure.

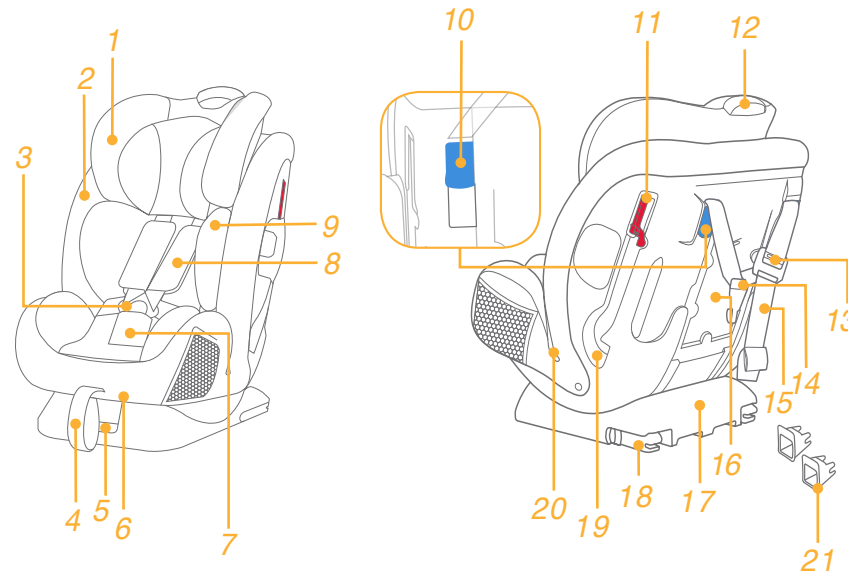
Pour plus d'informations sur le service de garantie, veuillez consulter notre site Web à l'adresse suivante : www.joiebaby.com

Liste des pièces

Assurez-vous que toutes les pièces sont disponibles avant le montage. Si une pièce est manquante, veuillez contacter votre revendeur local. Le montage ne nécessite aucun outil.

- | | |
|---|---|
| 1 Support de tête | 13 Dispositif de réglage de la sangle d'attache |
| 2 Assise de siège | 14 Crochet de la sangle d'attache |
| 3 Boucle | 15 Sangle d'attache supérieure |
| 4 Ajusteur de sangle | 16 Compartiment de rangement du guide d'utilisation |
| 5 Bouton d'éjection ISOFIX | 17 Base |
| 6 Poignée de réglage de l'inclinaison | 18 Connecteur ISOFIX |
| 7 Sangle d'entrejambe | 19 Fente arrière pour ceinture de siège |
| 8 Harnais d'épaules | 20 Guidage pour ceinture abdominale |
| 9 Support pour bébé | 21 Guides ISOFIX |
| 10 Verrouillage | |
| 11 Dispositif de verrouillage | |
| 12 Levier d'ajustement du support de tête | |

Les pièces souples extérieures comprennent le coussin de siège, le coussin pour l'entrejambe, le support pour tête et le support pour bébé. Veuillez vous assurer qu'aucune pièce ne manque. Veuillez contacter le revendeur en cas de pièces manquantes.



AVERTISSEMENT

- ! AUCUN dispositif de retenue pour enfants ne peut être garanti pour une protection complète contre les blessures en cas d'accident. Mais, une bonne utilisation de ce dispositif de retenue pour enfants réduit les risques de blessures graves et de mort pour votre enfant.
- ! Ce dispositif de retenue pour enfants est conçu UNIQUEMENT pour les enfants de moins de 36 kg (environ 12 ans ou moins).
- ! N'utilisez PAS le mode face à la route si le poids de l'enfant ne dépasse pas 9 kg.
- ! Les sangles de fixation du dispositif de retenue pour enfants au véhicule doivent être serrées, les sangles de retenue de l'enfant doivent être ajustées à son corps et ne doivent pas être tordues.
- ! N'utilisez PAS et n'installez pas ce dispositif de retenue pour enfants avant d'avoir lu et compris les instructions de ce manuel et du manuel du propriétaire du véhicule.
- ! Concernant le danger d'apporter des modifications ou des ajouts au dispositif sans l'approbation de l'autorité d'approbation, et le danger de ne pas respecter strictement les instructions d'installation fournies par le fabricant du dispositif de retenue pour enfants.
- ! N'apportez AUCUNE modification à ce dispositif de retenue pour enfants et ne l'utilisez pas avec des pièces d'autres fabricants.
- ! N'utilisez PAS ce dispositif de retenue pour enfants s'il comprend des pièces endommagées ou s'il y a des pièces manquantes.
- ! Ne mettez PAS de vêtements mal adaptés à votre enfant lors de l'utilisation de ce dispositif de retenue pour enfants en mode bébé ou bambin, car votre enfant pourrait ne pas être bien attaché par les harnais d'épaules et les harnais entre les cuisses.
- ! En cas d'utilisation de ce dispositif de retenue pour enfants en mode bébé ou bambin, la ceinture de sécurité doit être utilisée correctement, en vérifiant que la ceinture abdominale est bien placée en bas, afin que le bassin soit bien engagé.
- ! Ne laissez PAS ce dispositif de retenue pour enfants dans votre véhicule détaché ou non fixé, car il risque d'être éjecté et blesser les passagers lors de virages serrés, d'arrêts brusques ou de collisions. Il faut l'enlever en cas de non utilisation régulière.
- ! L'enfant ne doit pas resté attaché au dispositif de retenue pour enfants sans surveillance.

- ! Ne placez PAS ce dispositif de retenue pour enfants face à un airbag si votre enfant est en mode dos à la route.
- ! N'utilisez JAMAIS un dispositif de retenue pour enfants d'occasion ou dont vous ne connaissez pas l'historique, car il pourrait présenter des dommages structurels mettant la sécurité de votre enfant en péril.
- ! Ne laissez pas le dispositif de retenue pour enfants exposé directement au soleil, car il pourrait devenir trop chaud pour la peau de l'enfant.
- ! N'utilisez JAMAIS de cordes ou autres objets similaires à la place des ceintures de sécurité, cela pourrait causer des blessures.
- ! N'utilisez PAS ce dispositif de retenue pour enfants comme un siège ordinaire, car il risque de tomber et blesser l'enfant.
- ! Le dispositif de retenue pour enfant ne doit pas être utilisé sans les pièces souples.
- ! Les pièces souples ne doivent pas être remplacées par d'autres pièces autres que celles recommandées par le fabricant, car elles font partie intégrante des performances du dispositif de retenue.
- ! NE placez Aucun un autre objet dans ce dispositif de retenue pour enfant à part les coussinets internes recommandés.
- ! Ne transportez PAS ce dispositif de retenue pour enfants avec un enfant dedans.
- ! Tout bagage et autres objets susceptibles de causer des blessures en cas de collision doivent être correctement sécurisés.
- ! Ne laissez pas le harnais ou les boucles du dispositif de retenue pour enfant pris ou attrapés par un siège ou une porte du véhicule.
- ! Le dispositif doit être remplacé s'il a été soumis à des tensions violentes dans un accident.
- ! Retirez ce dispositif de retenue pour enfants du siège du véhicule s'il ne va pas être utilisé pendant une longue période.
- ! Pour éviter tout risque de suffocation, enlevez le sac en plastique et les matériaux d'emballage avant d'utiliser ce produit. Le sac en plastique et les matériaux d'emballage doivent être conservés hors de la portée des bébés et des enfants.
- ! Consultez le distributeur pour tout ce qui est maintenance, réparation et remplacement de pièces.
- ! N'utilisez PAS de points de contact porteurs autres que ceux décrits dans le manuel et indiqués sur le dispositif de retenue pour enfants.

! Nettoyez régulièrement les guides ISOFIX, si nécessaire. La fiabilité peut être affectée par l'infiltration de poussière, saletés, particules de nourriture, etc.

! N'installez PAS ce siège de bébé dans les conditions suivantes :

1. Sièges de véhicule avec ceintures de sécurité à 2 points.
2. Les sièges de véhicule tournés sur le côté ou vers l'arrière en fonction de la direction de déplacement du véhicule.
3. Sièges de véhicule instables lors de l'installation.

Urgence

En cas d'urgence ou d'accident, il est primordial que votre enfant soit immédiatement pris en charge par les premiers secours et des soins médicaux.

Informations sur le produit

Pour une installation avec ceintures à 3 points ou un système ISOFIX et sangle supérieure

1. Il s'agit d'un siège de bébé « universel ». Il est approuvé par la réglementation UN ECE 44, série d'amendements 04, pour utilisation dans un véhicule et il sera adapté à la plupart des sièges de voiture.
2. Le siège sera probablement adapté si le fabricant du véhicule a indiqué dans le manuel du véhicule que celui-ci peut accepter un siège de bébé « universel » pour ce groupe d'âge.
3. Ce siège de bébé a été classé comme universel d'après des conditions plus strictes que celles appliquées à de précédents modèles ne portant pas cette indication.
4. En cas de doute, veuillez consulter le distributeur du siège de bébé.

Pour installation avec un système ISOFIX et sangle d'attache supérieure

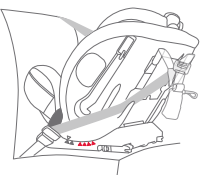
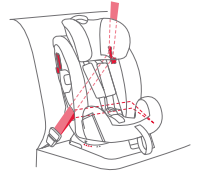
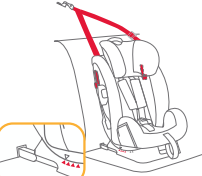
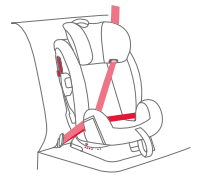
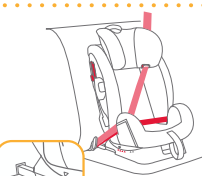
1. Il s'agit d'un système de retenue pour enfants ISOFIX. Il est approuvé par la série d'amendements de la réglementation UN-ECE 44/04 pour une utilisation générale dans des véhicules équipés de systèmes d'ancrage ISOFIX. Il est compatible avec les sièges de la plupart des véhicules.
2. Il est compatible avec les véhicules ayant des positions approuvées en tant que positions ISOFIX (telles que détaillées dans le manuel du véhicule), selon la catégorie du dispositif de retenue pour enfants et du dispositif de serrage.
3. Les positions des sièges dans d'autres voitures peuvent également être adaptées au dispositif de retenue pour enfants. En cas de doute, veuillez consulter le fabricant du dispositif de retenue pour enfants ou le constructeur du véhicule.
4. Ce dispositif est destiné à la classe de taille ISOFIX B1.

Pour une installation avec un système ISOFIX et ceinture à 3 points

1. El sistema de retención para niños está clasificado para uso "Semi-Universal".
2. Posiciones del asiento en otros coches también pueden ser adecuados para aceptar el niño restricción. En caso de duda, consulte con el fabricante del Fabricante del vehículo.

Produit	Dispositif de retenue pour enfants
Modèle	C1602
Convient aux	enfants pesant de 0 à 36 kg (environ 0 à 12 ans)
Groupe de masse	0+/1/2/3
Matières	Plastique, métal, tissu
N° de brevet	Brevets en attente

Choix du mode d'installation

Poids de l'enfant	Mode d'installation	Illustration pour l'installation	Âge de référence	Position du siège	Instructions relatives au support pour bébé
<18kg	Mode bébé		<4 ans	Position 5-6 ▲ 5 ▲ 6	Le support pour bébé doit être utilisé de 0 à 9 mois pour permettre de retenir fermement l'enfant
9 -18kg	Mode bébé	 	1 à 4 ans	Position 1-4 ▲ 1 ▲ 2 ▲ 3 ▲ 4	Lorsque vous installez le dispositif de retenue pour enfants en mode bambin, n'utilisez pas le support pour bébé.
15 -36kg	Mode Junior	 	3 à 12 ans	Position 1-4 ▲ 1 ▲ 2 ▲ 3 ▲ 4	Lorsque vous installez le dispositif de retenue pour enfants en mode junior, n'utilisez pas le support pour bébé.

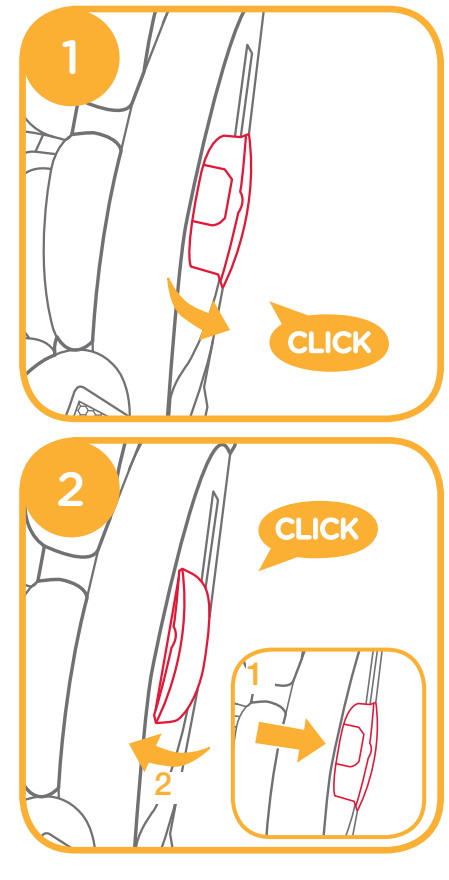
Important

1. N'utilisez PAS le mode face à la route si le poids de l'enfant ne dépasse pas 9 kg.
2. Lorsque l'enfant peut être installé en modes bambin et bébé, il est conseillé d'installer ce dispositif de retenue pour enfants en mode bébé, car il est relativement plus sûr.

Utilisation des absorbeurs de chocs latéraux

voir images 1 - 2

- ! Il faut ouvrir les absorbeurs de chocs latéraux pour protéger correctement l'enfant. L'absorbeur de chocs latéral contre la porte du véhicule peut être fermé pour avoir plus d'espace sur le siège.



Réglage de l'inclinaison

voir images 3 - 4

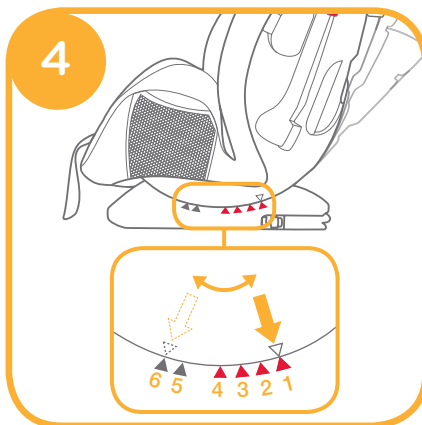
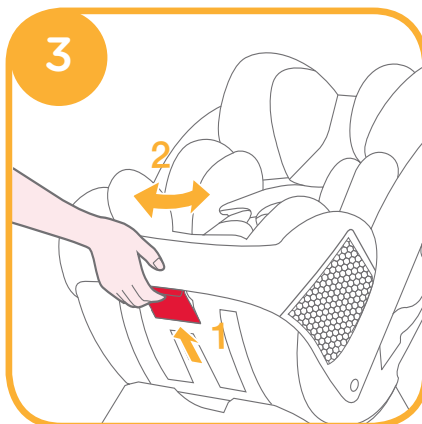
Appuyez sur la poignée de réglage de l'inclinaison et ajustez le dispositif de retenue pour enfants dans la bonne position. 3

Les angles d'inclinaison sont illustrés en 4

Il y a deux angles d'inclinaison, 5 et 6 pour le mode bébé, ils sont marqués par les triangles bleus.

Il y a quatre angles d'inclinaison, 1 à 4 pour les modes bambin et junior, ils sont marqués par les triangles rouges. Indication de l'angle : avec les triangles supérieur et inférieur alignés.

! Veillez à ce que la ceinture de sécurité du véhicule soit resserrée après un réglage d'inclinaison et vice versa même si la ceinture a déjà été bouclée correctement auparavant.



Ajustement de la hauteur du support de tête et des harnais d'épaules

voir images 5 - 6

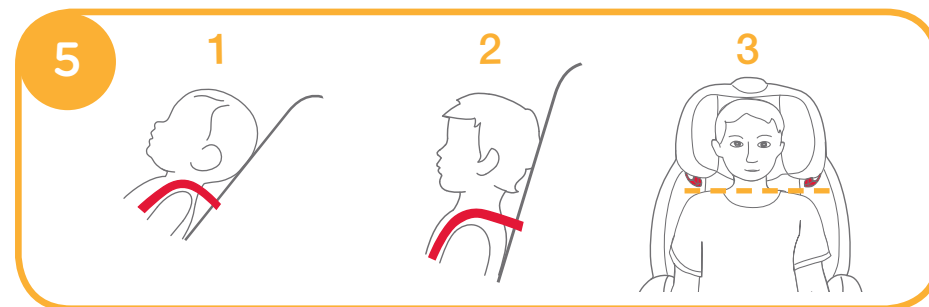
Ajustez le support de tête et les harnais d'épaules à la bonne hauteur selon la taille de votre enfant.

! En cas d'utilisation en mode bébé, les harnais d'épaules doivent être à niveau avec les épaules de l'enfant. 5-1

! En cas d'utilisation en mode bambin, les harnais d'épaules doivent être à niveau avec les épaules de l'enfant. 5-2

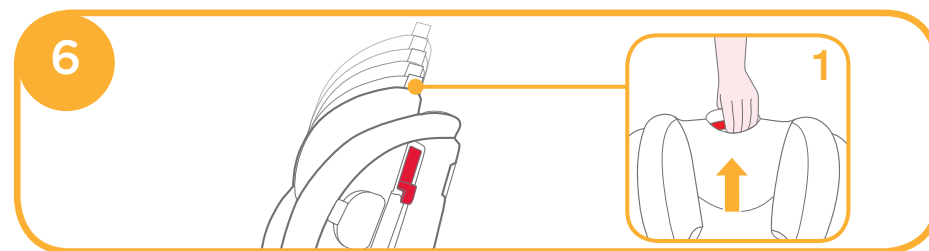
! En cas d'utilisation en mode junior, les harnais d'épaules doivent être à niveau avec les épaules de l'enfant. 5-3

Si les harnais d'épaules ne sont pas à la bonne hauteur, l'enfant pourrait être éjecté du dispositif de retenue pour enfants en cas d'accident.



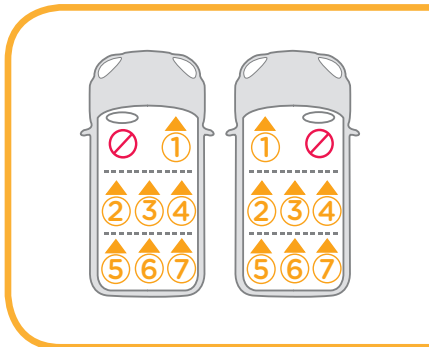
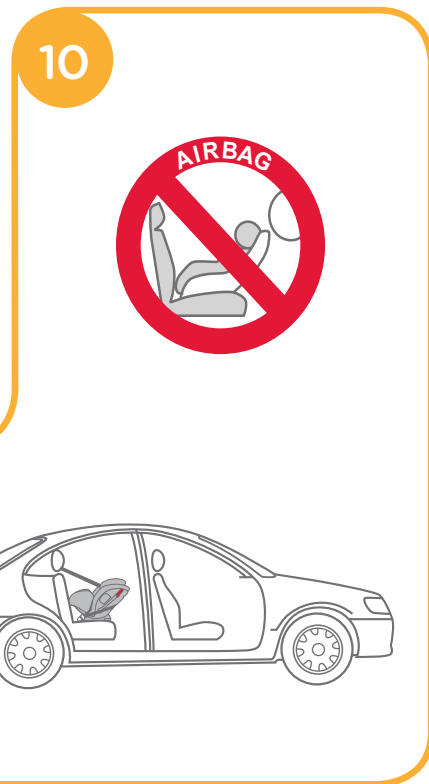
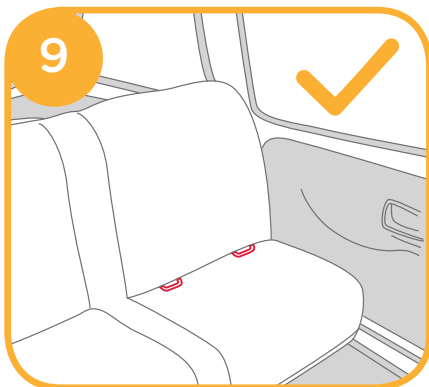
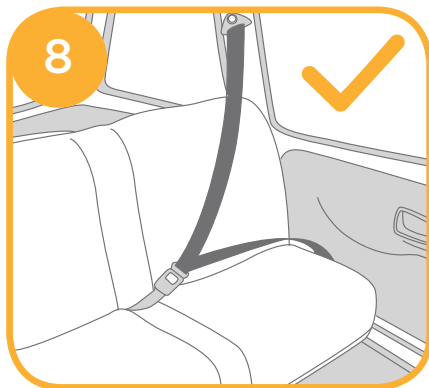
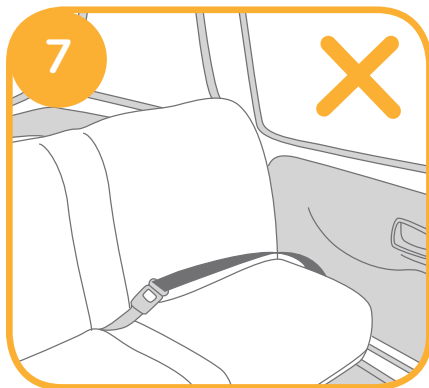
Appuyez sur le levier d'ajustement du support de tête tout en soulevant ou poussant le support pour le positionner sur l'une des 10 positions. Les positions du support de tête sont illustrées en 6

! Les ailes latérales peuvent s'ouvrir quand le support de tête est positionné sur la 6e position.



Remarques sur l'installation

voir images 7 - 10



Mode bébé

(Mode dos à la route/pour enfants de moins de 18 kg/nouveaux nés jusqu'à 4 ans)

voir images 11 - 20

! Il faut installer le dispositif de retenue pour enfants sur le siège arrière du véhicule avant d'y mettre l'enfant.

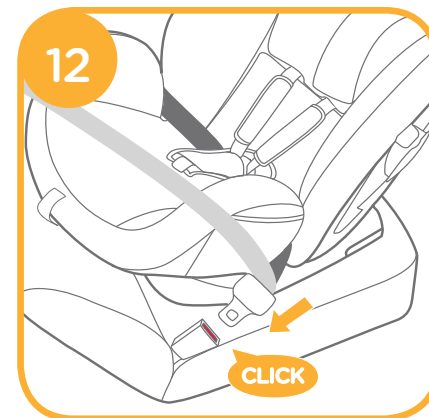
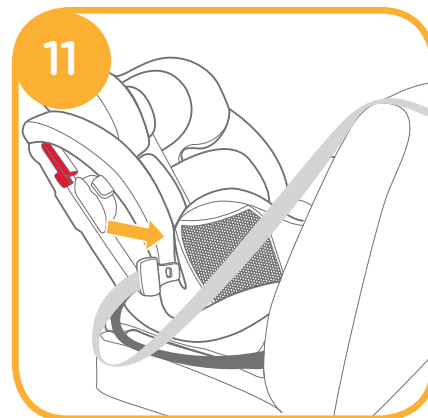
i. Installation pour le mode bébé

! Il faut régler le dispositif de retenue pour enfants sur un angle approprié (2 positions pour le mode bébé). Indication de l'angle : Avec le triangle supérieur et le triangle bleu alignés.

! Vérifiez que les harnais d'épaules sont à la bonne hauteur avant d'installer ce dispositif de retenue pour enfants.

! Lorsque vous installez et ajustez les ceintures de sécurité, vérifiez que la ceinture d'épaules et celle pour la taille ne sont pas tordues et ne bloquent pas le bon fonctionnement des ceintures de sécurité.

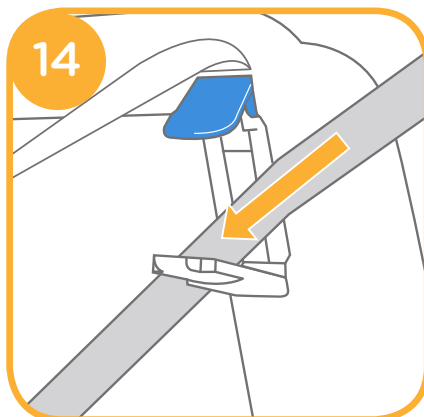
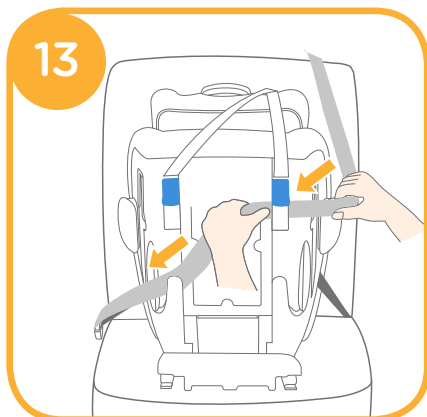
1. Passez la ceinture pour la taille au-dessus des guidages pour ceinture abdominale, puis engagez la languette de la boucle du véhicule dans la boucle de celle-ci. 11 12



2. Attachez la ceinture d'épaules dans les deux fentes de la ceinture d'épaules situées à l'arrière du dispositif de retenue pour enfants. **13**

! La ceinture d'épaule doit passer par le verrouillage **14**.

! Assurez-vous que le couvercle de verrouillage de la ceinture est complètement fermé lorsqu'il n'est pas utilisé pour éviter les blessures ou endommager le garnissage du véhicule.



3. Tout en appuyant sur le dispositif de retenue pour enfants, tirez sur les ceintures pour attacher ce dernier fermement et en sécurité. **15**

! Le dispositif de retenue pour enfants ne peut pas être utilisé si la boucle de ceinture de sécurité du véhicule (extrémité femelle de la boucle) est trop longue pour fixer le dispositif de retenue pour enfants de façon sûre.

! Vérifiez la fixation du dispositif de retenue pour enfants en le déplaçant vers l'avant et l'arrière.

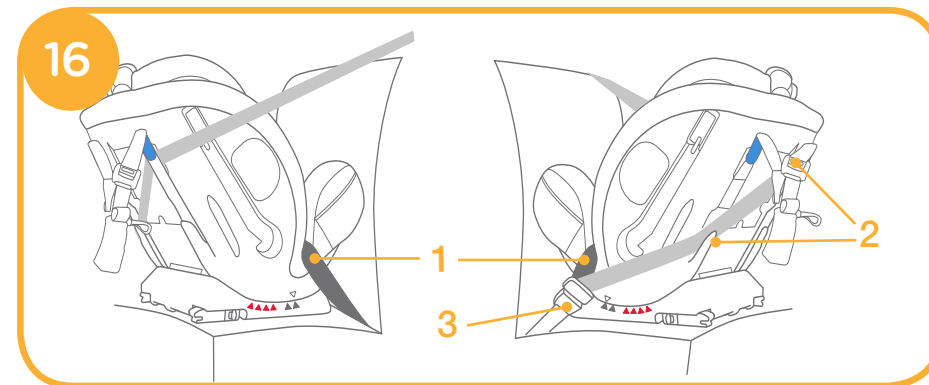


Ceinture de véhicule correctement assemblée illustrée en **16**

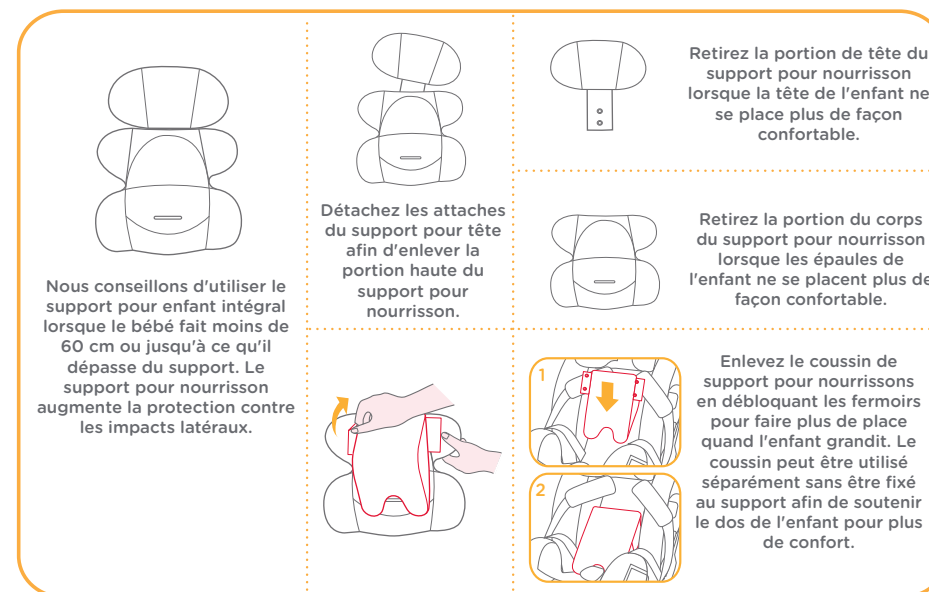
! La ceinture pour la taille passe à travers les guidages pour ceinture abdominale, comme illustré en **16 -1**

! La ceinture d'épaules doit passer à travers les fentes de la ceinture d'épaules, comme illustré en **16 -2**

! Languette de la boucle du véhicule engagée correctement dans la boucle, comme illustré en **16 -3**



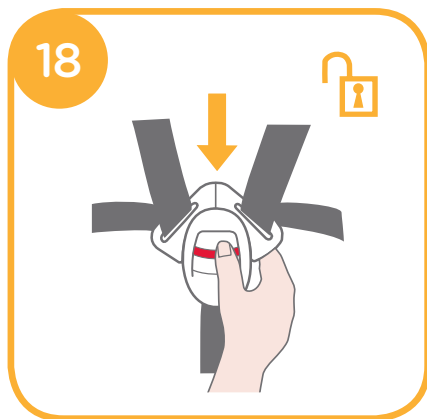
ii. Attacher l'enfant dans le dispositif de retenue pour enfants avec support pour bébé



1. Tout en appuyant sur le bouton d'ajustement du harnais, tirez complètement les deux harnais d'épaules du siège bébé. 17

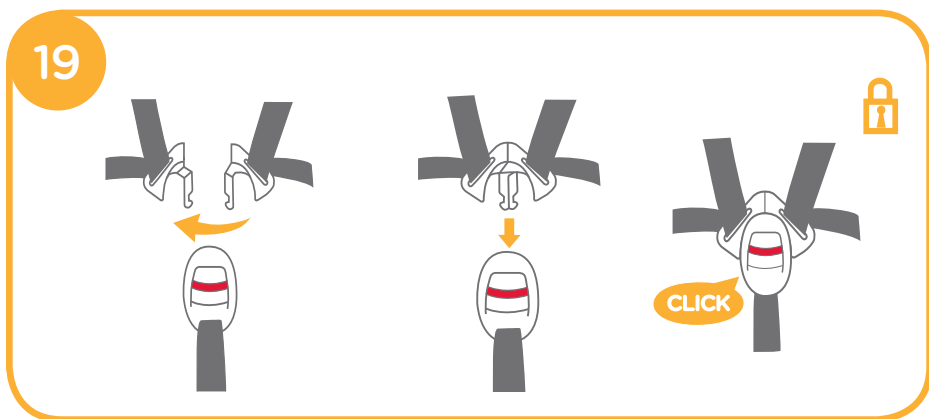


2. Appuyez sur le bouton rouge pour désengager la boucle. 18



3. Placez l'enfant dans le dispositif de retenue pour enfants et passez les deux bras à travers les harnais.

4. Engagez la boucle. 19



5. Tirez sur la sangle de réglage et l'ajuster à la bonne longueur pour vous assurer que votre enfant est bien attaché. 20



! Une fois l'enfant assis, vérifiez à nouveau que les harnais d'épaules sont à la bonne hauteur.

! Vérifiez que l'espace entre l'enfant et les harnais d'épaules est d'environ l'épaisseur d'une main.

Mode bambin

(Mode face à la route/pour enfants de 9-18 kg/1-4 ans)

voir images 21 - 39

! Installez le dispositif de retenue pour enfants sur le siège du véhicule, avant d'y placer l'enfant.

i. Installation pour le mode Bambin

! Il faut régler le dispositif de retenue pour enfants sur un angle approprié (4 positions pour le mode bambin). Indication de l'angle : Avec le triangle supérieur et le triangle rouge alignés.

! Réglez les harnais d'épaules à la bonne hauteur avant d'installer le dispositif de retenue pour enfants.

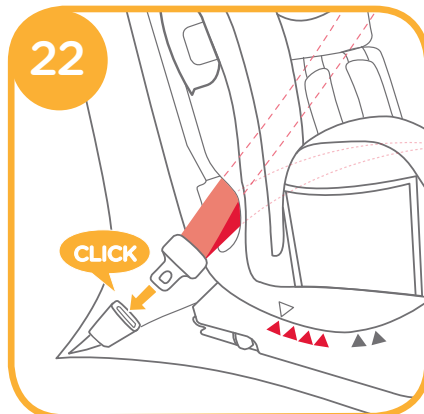
! Lorsque vous installez et ajustez les ceintures de sécurité, vérifiez que la ceinture d'épaules et celle pour la taille ne sont pas tordues et ne bloquent pas le bon positionnement des ceintures de sécurité.

a. Pour installation avec ceinture à 3 points

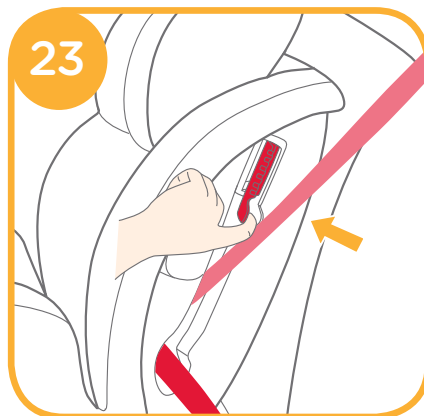
1. Enfilez la ceinture de sécurité à travers les deux fentes arrière de la ceinture au dos du dispositif de retenue pour enfants. **21**



2. Bouclez la ceinture de sécurité. **22**



3. Ouvrez le dispositif de verrouillage et y insérez la ceinture de sécurité. **23**



4. Tout en appuyant sur le dispositif de retenue pour enfants, tirez sur les ceintures pour attacher ce dernier fermement et en sécurité. **24**

! Le dispositif de retenue pour enfants ne peut pas être utilisé si la boucle de ceinture de sécurité du véhicule (extrémité femelle de la boucle) est trop longue pour fixer le dispositif de retenue pour enfants de façon sûre.

24 -1

! Vérifiez la fixation du dispositif de retenue pour enfants en le déplaçant vers l'avant et l'arrière.

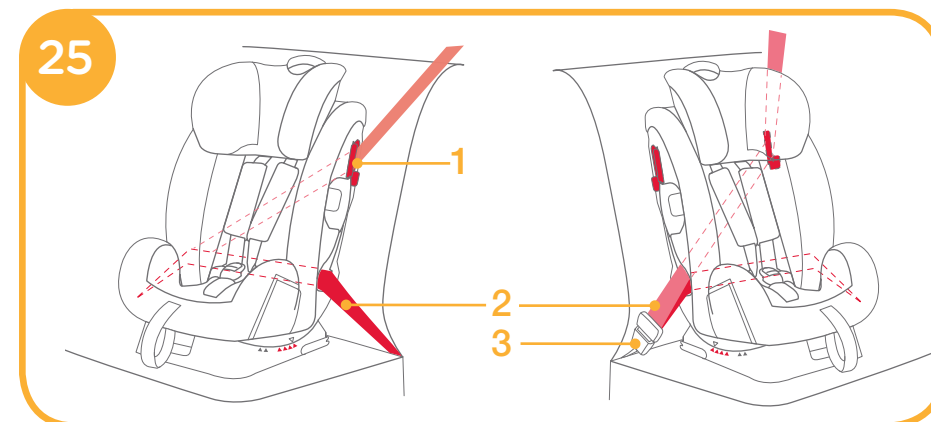


Ceinture de sécurité assemblée illustrée en **25**

! La ceinture d'épaules passe par le dispositif de verrouillage, comme illustré en **25 -1**

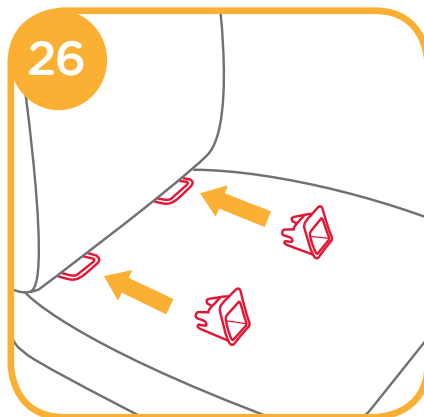
! La ceinture pour la taille passe par les fentes arrière de la ceinture de sécurité, comme illustré en **25 -2**

! Languette de la boucle du véhicule engagée correctement dans la boucle, comme illustré en **25 -3**

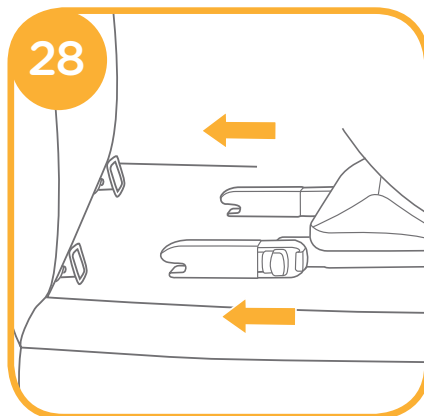
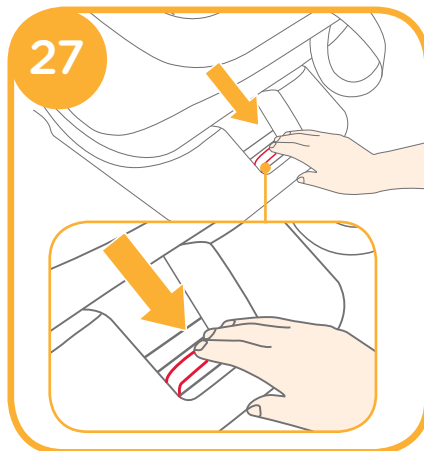


b. Pour installation avec un système ISOFIX et sangle d'attache supérieure

1. Ajustez les guides ISOFIX sur les points d'ancrage ISOFIX. Les guides ISOFIX peuvent protéger la surface du siège du véhicule contre toute déchirure. Ils peuvent aussi guider les connecteurs ISOFIX. ²⁶



2. Déployez les connecteurs ISOFIX en appuyant sur le bouton de déverrouillage ²⁷ tout en tirant sur les connecteurs ²⁸



! Vérifiez que les deux connecteurs ISOFIX sont bien attachés aux points d'ancrage ISOFIX. Les indicateurs des deux connecteurs ISOFIX doivent être complètement verts. ²⁹

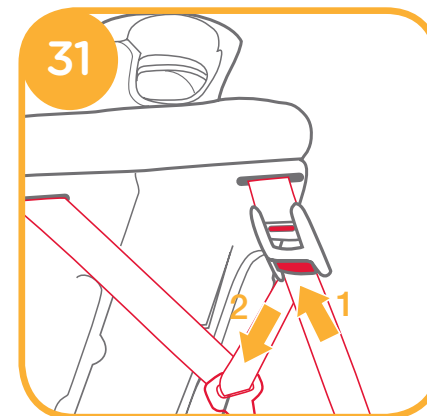
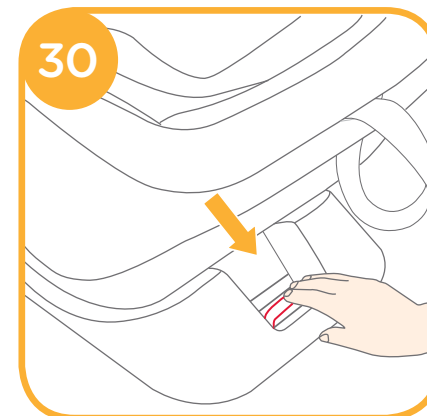
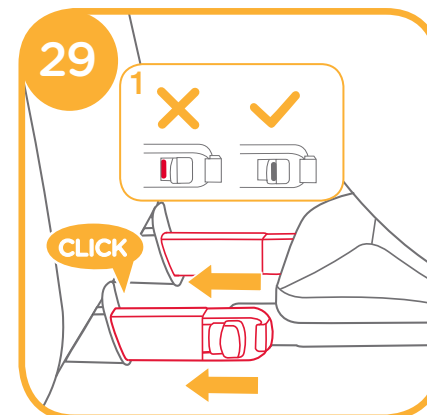
! Les connecteurs ISOFIX doivent être attachés et verrouillés sur les points d'ancrage ISOFIX.

! Vérifiez que le dispositif de retenue pour enfants est bien installé en tirant sur les deux connecteurs ISOFIX.

! Sélectionnez la position d'inclinaison souhaitée avant de le retourner contre le siège du véhicule, car une fois la sangle d'attache supérieure est fixée et tendue, l'angle d'inclinaison ne peut plus être changé sans l'avoir ajusté au préalable.

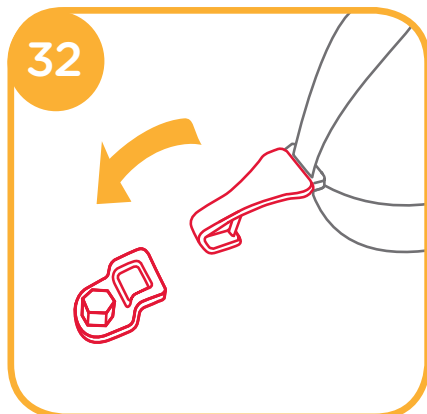
3. Appuyez sur le bouton de déverrouillage ISOFIX et poussez le dispositif de retenue pour enfants vers l'arrière contre le siège du véhicule jusqu'à ce qu'il soit serré. ³⁰

4. Pour déployer la sangle d'attache supérieure et l'utiliser, appuyez sur son bouton de réglage et tirez pour la déployer. ³¹



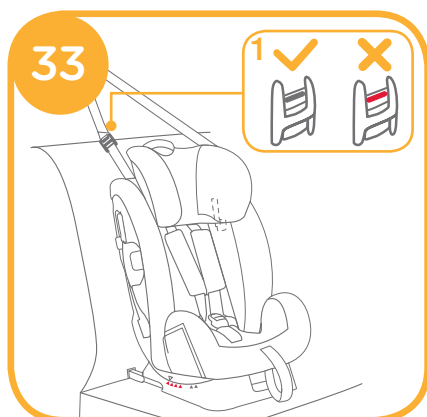
5. Connectez le crochet de la sangle d'attache solidement au système d'ancrage. **32**

! Utilisez la sangle d'attache supérieure pour l'installation en mode bambin si le véhicule est équipé d'un système d'ancrage de sangle d'attache et les exigences d'ancrage du véhicule sont satisfaites (voir manuel du propriétaire du véhicule).



6. Système ISOFIX et sangle d'attache supérieure correctement assemblés illustrés en **33**

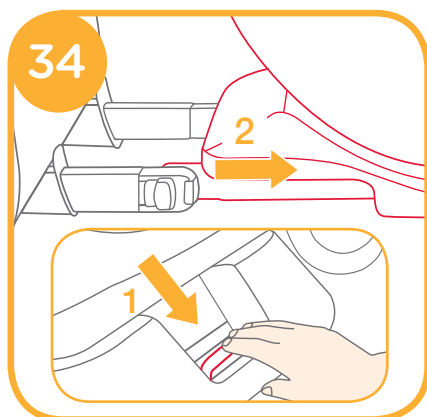
! Assurez-vous que les crochets de la sangle d'attache sont bien fixés au système d'ancrage. Les indicateurs des connecteurs du dispositif de réglage de la sangle d'attache doivent être complètement verts. **33 -1**



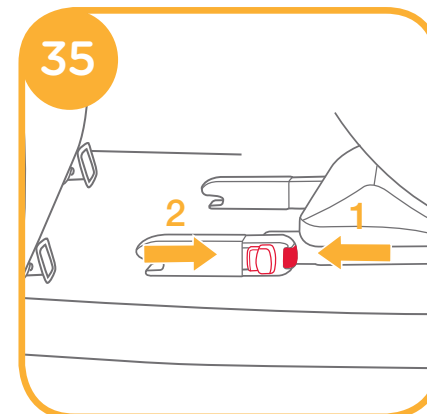
! Si l'angle d'inclinaison est ajusté, vérifiez la tension de la sangle d'attache supérieure, autrement desserrez pour ajuster l'angle et régler la tension.

Retirer la base

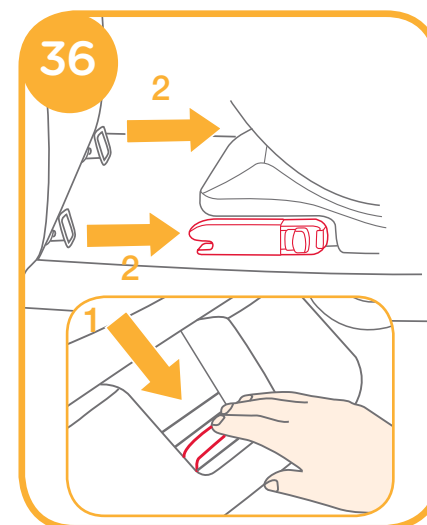
1. Pour retirer du véhicule pressez le bouton de réglage ISOFIX **34 -1** et retirez la base du siège. **34 -2**



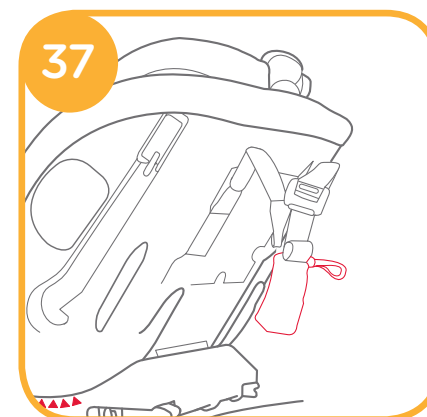
2. Puis appuyez et dégager les connecteurs points d'ancrage ISOFIX du véhicule. **35**



! L'ISOFIX est complètement plié. **36**



! Lorsqu'il n'est pas utilisé, la sangle d'attache supérieure DOIT être correctement rangée. Pour vous assurer que la sangle d'attache supérieure est bien rangée, ne pas la laisser lâche pour éviter qu'elle ne s'agite lorsque le véhicule est en déplacement.. **37**

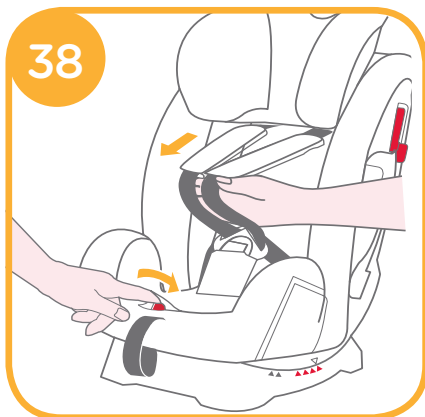


! Lorsque la poche n'est pas utilisée, il faut la ranger correctement.

ii. Bien attacher votre enfant dans le dispositif de retenue pour enfants

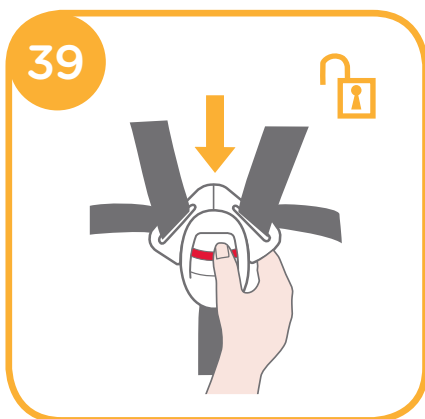
! Lorsque vous installez le dispositif de retenue pour enfants en mode bambin, n'utilisez pas le support pour bébé.

1. Tout en appuyant sur le bouton d'ajustement du harnais, tirez complètement les deux harnais d'épaules du siège bébé. 38



2. Appuyez sur le bouton rouge pour désengager la boucle. 39

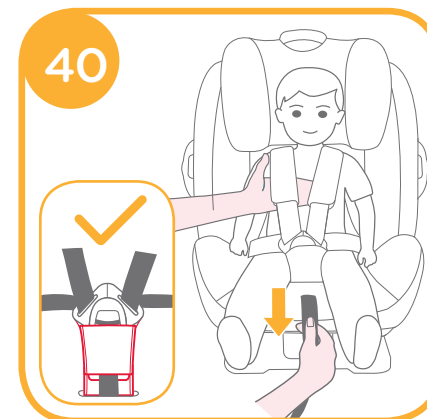
3. Placez l'enfant dans le dispositif de retenue pour enfants et attachez la boucle.



4. Tirez sur la Sangle de réglage et l'ajuster à la bonne longueur pour vous assurer que votre enfant est bien attaché. 40

! Une fois l'enfant assis, vérifiez à nouveau que les harnais d'épaules sont à la bonne hauteur.

! Vérifiez que l'espace entre l'enfant et les harnais d'épaules est d'environ l'épaisseur d'une main.



Mode Junior

(Mode face à la route/pour enfants de 15-36 kg/3-12 ans)

voir images 41 - 46

i. Installation pour le mode Junior

! Utilisez seulement la ceinture du siège du véhicule lors de l'installation du dispositif de retenue pour enfant en mode junior, n'utilisez pas le support pour bébé ou harnais 5 points, rangez les sangles d'épaules, la boucle et les languettes de la boucle dans leurs compartiments de rangement respectifs.

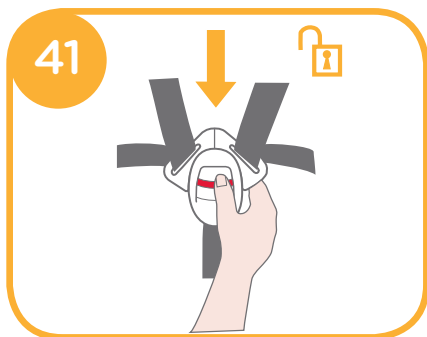
! Ajustez les harnais d'épaules à la longueur appropriée avant de les ranger ainsi que la boucle dans leurs compartiments de rangement.

! Il faut régler le dispositif de retenue pour enfants sur un angle approprié (4 positions pour le mode junior). Indication de l'angle : Avec le triangle supérieur et le triangle rouge alignés. ! Lorsque vous installez et ajustez les ceintures de sécurité, vérifiez que la ceinture d'épaules et celle pour la taille ne sont pas tordues et ne bloquent pas le bon positionnement des ceintures de sécurité.

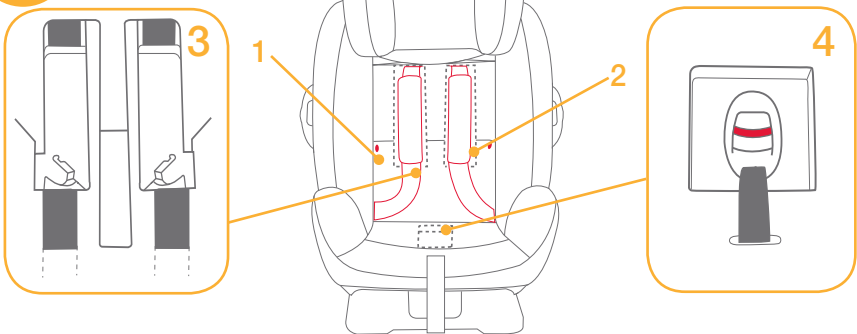
1. Appuyez sur le bouton rouge pour désengager la boucle. 41

2. Retirez le support pour bébé et le coussinet d'entrejambe.

! Lorsque vous installez le dispositif de retenue pour enfants en mode junior, n'utilisez pas le support pour bébé.



42



3. Détachez les fermoirs. 42 -1

4. Soulevez le rabat supérieur et tirez le rabat inférieur, puis rangez la boucle et les harnais d'épaules dans leur compartiment de rangement. 42 -2 42 -3

5. Tirez la boucle vers l'arrière du coussin de siège, puis rangez la boucle et les languettes de la boucle dans leurs compartiments de rangement respectifs. 42 -4

6. Remontez les fermoirs pour recouvrir le coussin de siège. Le coussin de siège remonté est illustré en 43



ii. Bien attacher votre enfant dans le dispositif de retenue pour enfants

a. Pour une installation avec une ceinture à 3 points

1. Placez l'enfant dans le dispositif de retenue pour enfants et vérifiez si les guides des ceintures d'épaule sont à la bonne hauteur.

2. Positionnez la ceinture d'épaules à travers le guide de la ceinture d'épaules, passez la ceinture pour la taille à travers les fentes de la ceinture abdominale. Fermez la boucle et tirez sur la ceinture du véhicule pour serrer. 44

! La ceinture d'épaules doit passer dans le guide de la ceinture d'épaules. 45 -1

! La ceinture pour la taille doit passer dans les guides de la ceinture abdominale.

! La ceinture pour la taille du véhicule doit passer par le milieu de la housse de la sangle d'entrejambe, attachez ensuite la boucle et les crochets d'attache. 44 -2

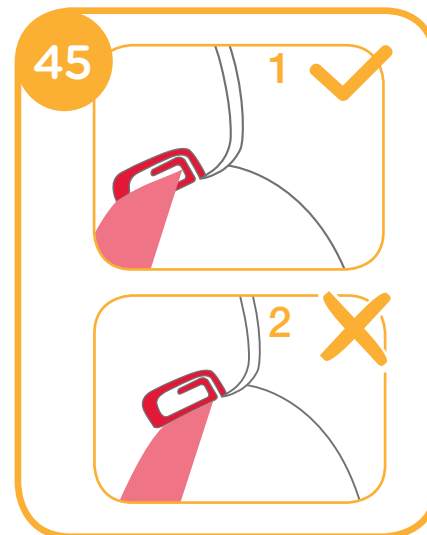
! Le dispositif de retenue pour enfants ne peut pas être utilisé si la boucle de ceinture de sécurité du véhicule (extrémité femelle de la boucle) est trop longue pour fixer le dispositif de retenue pour enfants de façon sûre. 44 -1

! N'utilisez jamais une ceinture du véhicule uniquement pour la taille en vue d'attacher un enfant par l'avant.

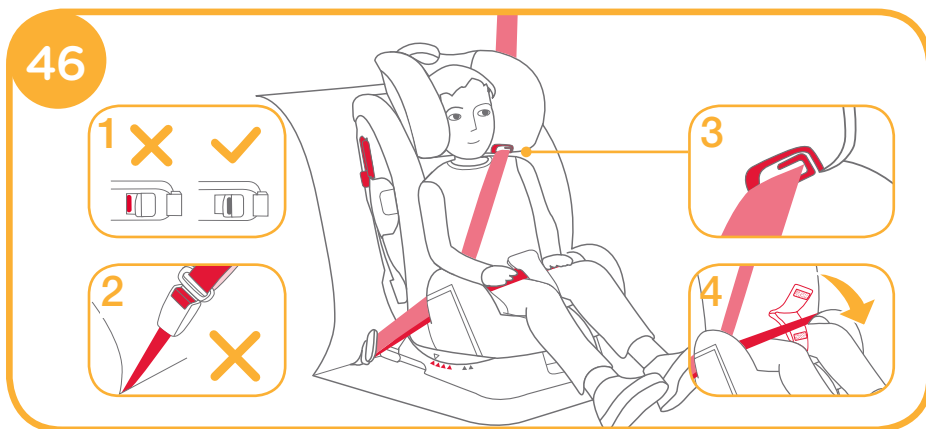
! N'utilisez pas une ceinture d'épaules lâche ou positionnée sous le bras.

! N'utilisez pas la ceinture d'épaules derrière le dos de l'enfant.

! Ne laissez pas l'enfant glisser vers le bas dans le dispositif de retenue pour enfants afin d'éviter tout risque de strangulation.



Pour une installation avec ceinture à 3 points et système ISOFIX



1. Installation avec système ISOFIX illustrée en 26 - 30
2. Placez l'enfant dans le dispositif de retenue pour enfants et vérifiez si les guides des ceintures d'épaule sont à la bonne hauteur.
3. Installation avec ceinture à 3 points illustrée en 44 - 45
4. Ceinture à 3 points et système ISOFIX correctement assemblés illustrés en 46

! Vérifiez que les deux connecteurs ISOFIX sont bien attachés aux points d'ancrage ISOFIX. Les indicateurs des deux connecteurs ISOFIX doivent être complètement verts. 46 -1

! Vérifiez que le dispositif de retenue pour enfants est bien installé en tirant sur les deux connecteurs ISOFIX.

! La ceinture d'épaules doit passer dans le guide de la ceinture d'épaules. 46 -3

! La ceinture pour la taille du véhicule doit passer par le milieu de la housse de la sangle d'entrejambe, attachez ensuite la boucle et les crochets d'attache. 46 -4

! La ceinture pour la taille doit passer dans les guides de la ceinture abdominale.

! Le dispositif de retenue pour enfants ne peut pas être utilisé si la boucle de ceinture de sécurité du véhicule (extrémité femelle de la boucle) est trop longue pour fixer le dispositif de retenue pour enfants de façon sûre. 46 -2

! N'utilisez jamais une ceinture du véhicule uniquement pour la taille en vue d'attacher un enfant par l'avant.

! N'utilisez pas une ceinture d'épaules lâche ou positionnée sous le bras.

! N'utilisez pas la ceinture d'épaules derrière le dos de l'enfant.

! Ne laissez pas l'enfant glisser vers le bas dans le dispositif de retenue pour enfants afin d'éviter tout risque de strangulation.

Détacher les parties souples

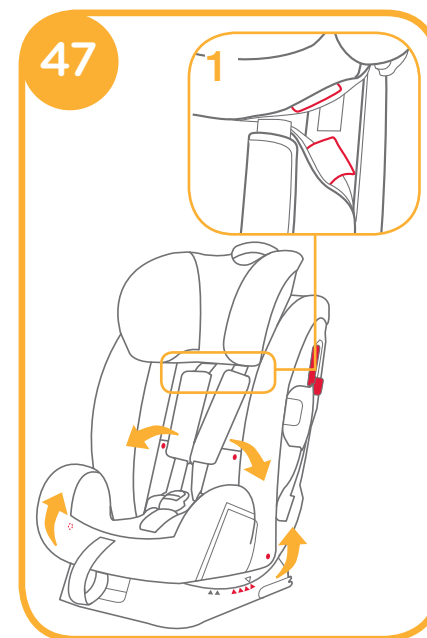
voir images 47

1. Appuyez sur le bouton rouge pour désengager la boucle.
2. Retirez le support pour bébé et la sangle d'entrejambe.

3. Détachez l'élastique du support pour la tête, puis retirez le support pour la tête. 47 -1

4. Détachez les fermoirs du coussin de siège, tirez sur la boucle vers l'arrière du coussin de siège, puis retirez celui-ci. 47

! Pour assembler les pièces souples, suivez les étapes ci-dessus à l'envers.



Entretien

- ! Après avoir retiré la mousse du support pour bébé, la ranger hors de la portée des enfants.
- ! Lavez les pièces souples à l'eau froide à moins de 30 C.
- ! Ne repassez pas les pièces souples.
- ! Ne nettoyez pas les pièces souples à sec ou à l'eau de javel.
- ! N'utilisez pas de détergents neutres non dilués, de l'essence ou autres solvants organiques pour laver le dispositif de retenue pour enfants. Cela pourrait endommager le dispositif de retenue pour enfants.
- ! N'essorez pas les pièces souples avec trop de force. Des plis pourraient apparaître sur les pièces souples.
- ! Laissez les pièces souples sécher à l'ombre.
- ! Retirez le dispositif de retenue pour enfants du siège du véhicule si vous n'allez pas l'utiliser pendant une longue période. Placez le dispositif de retenue pour enfants à l'ombre, hors de la portée des enfants.



Remarque

ES Enhorabuena

Ha adquirido un dispositivo de sujeción para niños de alta calidad, seguro y totalmente certificado. Este producto es adecuado para niños con un peso INFERIOR a 36 kg (aproximadamente con una edad de 12 años o menos).

Lea detenidamente este manual de instrucciones y siga los pasos de instalación, ya que es la ÚNICA forma de proteger a su hijo contra lesiones graves o, incluso la muerte, en caso de accidente; y de garantizar que su bebé viaje cómodamente cuando esté utilizando este producto.

Conserve este manual de instrucciones para futuras consultas.

Por favor, confirme lo siguiente:

Asegúrese de que su vehículo está equipado con un cinturón de seguridad retráctil con 3 puntos de sujeción. El diseño y la longitud de los cinturones de asientos pueden variar según el fabricante, la fecha de fabricación y el tipo de vehículo. Este dispositivo de sujeción para niños es apto para su uso en los vehículos que se mencionan, que están equipados con cinturones de seguridad retráctiles con 3 puntos de sujeción y aprobados por el reglamento 16 de la CEPE u otras normativas equivalentes. Este dispositivo de sujeción para niños está aprobado por la serie de enmiendas de la Norma Europea CEPE 44.04.

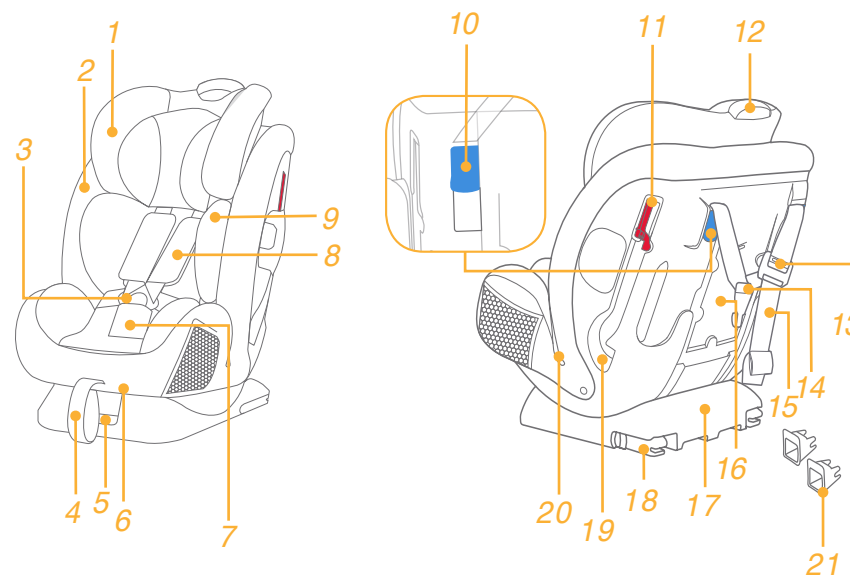
Guarde el manual de instrucciones en el compartimento de almacenamiento de la cubierta trasera para futuras consultas.

Lista de piezas

Asegúrese de que están disponibles todas las piezas antes de montar el producto. Si falta alguna pieza, póngase en contacto con su proveedor local. No se necesita ninguna herramienta para el montaje.

- | | |
|--|--|
| 1 Reposacabezas | 13 Ajustador de correa de fijación |
| 2 Acolchado del asiento | 14 Gancho de correa |
| 3 Hebilla | 15 Correa de fijación superior |
| 4 Ajustador de la cincha | 16 Compartimento de almacenamiento del manual de instrucciones |
| 5 Botón de desbloqueo ISOFIX | 17 Base |
| 6 Asa de ajuste de la inclinación | 18 Conector ISOFIX |
| 7 Correa de la pelvis | 19 Ranura posterior de cinturón de asiento |
| 8 Arnés de los hombros | 20 Guías del cinturón de cintura |
| 9 Accesorio para niños pequeños | 21 Guías ISOFIX |
| 10 Cierre | |
| 11 Dispositivo de cierre | |
| 12 Palanca de ajuste del reposacabezas | |

El acolchado incluye acolchado del asiento, correa de la pelvis y accesorio para niños pequeños. Asegúrese de que no falte ninguna pieza. Póngase en contacto con su distribuidor si falta alguna pieza.



ADVERTENCIA

- ! NINGÚN dispositivo de sujeción para niños puede garantizar una protección total contra lesiones en caso de accidente. Sin embargo, un uso adecuado de este dispositivo de sujeción para niños reducirá el riesgo de lesiones graves o, incluso, la muerte de su hijo.
- ! Este dispositivo de sujeción para niños está diseñado para que lo utilicen ÚNICAMENTE niños con un peso inferior a 36 kg (aproximadamente con una edad de 12 años o menos).
- ! NO utilice el modo orientado hacia adelante antes de que el niño pese más de 9 kg.
- ! Las correas que fijan el dispositivo de sujeción al vehículo deben estar apretadas, mientras que las correas que sujetan al niño deben ajustarse al cuerpo del niño y no retorcerse.
- ! NO utilice ni instale este dispositivo de sujeción para niños hasta que no haya leído y comprendido las instrucciones que se indican en este manual y en el manual del propietario del vehículo.
- ! Considere el peligro de realizar alteraciones o modificaciones al dispositivo sin la aprobación del organismo de homologación y el peligro de no seguir estrictamente las instrucciones de instalación facilitadas por el fabricante del dispositivo de sujeción para niños.
- ! NO modifique de ninguna manera este dispositivo de sujeción para niños ni lo utilice con piezas de otros fabricantes.
- ! NO utilice este dispositivo de sujeción para niños si está dañado o si falta alguna de sus piezas.
- ! NO deberá colocar a su hijo con ropa holgada cuando utilice este dispositivo de sujeción para niños en modo para bebés o para niños pequeños; ya que podría provocar que la sujeción del niño, mediante los arneses de los hombros y los muslos, no sea firme y segura.
- ! Cuando utilice este dispositivo de sujeción para niños en modo para bebés o para niños pequeños, deberá utilizar correctamente el cinturón de seguridad y asegurarse de que ninguna correa de seguridad quede demasiado baja, de forma que la pelvis quede firmemente sujeta.
- ! NO deje este dispositivo de sujeción para niños sin el cinturón puesto o sin fijar a su vehículo, ya que un dispositivo de sujeción para niños que no esté fijado puede ser lanzado y puede causar daños a los ocupantes en curvas pronunciadas, frenazos o colisiones. Retírelo si

no lo va a utilizar con mucha frecuencia.

- ! No deje a su hijo sin supervisión en el sistema de sujeción para niños.
- ! No coloque este dispositivo de sujeción para niños en asientos donde un airbag frontal activo esté instalado si el niño está aún en el modo orientado hacia atrás.
- ! NUNCA utilice un dispositivo de sujeción para niños de segunda mano ni un dispositivo de sujeción para niños que no sepa el uso que se le ha dado, ya que podría tener daños estructurales que pusieran en peligro la seguridad de su hijo.
- ! Mantenga este dispositivo de sujeción para niños alejado de la luz directa del sol ya que, si no lo hace, podría alcanzar temperaturas demasiado altas para la piel de su hijo.
- ! NUNCA use cuerdas ni ningún otro tipo de objeto en lugar de los cinturones de los asientos en el caso de que el dispositivo de sujeción estuviera dañado.
- ! NO utilice este dispositivo de sujeción para niños como una silla común, ya que tiende a caerse y puede causarle daños al niño.
- ! No utilice este dispositivo de sujeción para niños sin el acolchado.
- ! El acolchado no deberá sustituirse por uno que no esté recomendado por el fabricante, ya que el acolchado constituye una parte esencial del funcionamiento del dispositivo de sujeción.
- ! Utilice exclusivamente los almohadones internos recomendados para este dispositivo de sujeción para niños.
- ! NO transporte este dispositivo de sujeción para niños con el niño dentro.
- ! Sujete correctamente el equipaje y cualquier otro objeto susceptible de provocar lesiones en caso de colisión.
- ! Evite que el arnés o las hebillas del dispositivo de sujeción para niños queden enganchados o pillados en el asiento o la puerta del vehículo.
- ! Sustituya el dispositivo si ha estado sometido a tensiones violentas en un accidente.
- ! Retire este dispositivo de sujeción para niños del asiento del vehículo cuando no vaya a utilizarlo durante un periodo prolongado de tiempo.
- ! Para evitar el riesgo de asfixia, retire la bolsa de plástico y los materiales de embalaje antes de utilizar este producto. A continuación, deberá mantener la bolsa de plástico y los materiales de embalaje fuera del alcance de bebés y niños.
- ! Para cualquier cuestión de mantenimiento, reparación o sustitución

de piezas, consulte a su distribuidor.

! NO utilice ningún punto de contacto de soporte de carga distinto a los que se describen en las instrucciones y aparecen en el dispositivo de sujeción para niños.

! Examine periódicamente las guías ISOFIX por si estuvieran sucias y límpielas si fuera necesario. La fiabilidad podría verse afectada si se acumula suciedad, polvo, partículas de comida, etc.

! NO instale este dispositivo de sujeción para niños en las siguientes condiciones:

1. Asientos de vehículo con cinturones de seguridad con 2 puntos de sujeción.
2. Asientos de vehículo que estén orientados hacia un lado o hacia atrás con respecto a la dirección de la conducción del vehículo.
3. Asientos de vehículo inestables durante la instalación.

Emergencia

En caso de emergencia o accidente, es muy importante que su hijo reciba primeros auxilios y tratamiento médico de inmediato.

Información del producto

Para la instalación con cinturón de 3 puntos de sujeción o con sistema ISOFIX y correa superior

1. Este dispositivo de sujeción para niños es 'Universal'. Está aprobado por la serie de enmiendas de la Norma Europea UN ECE 44. 04 para el uso general en vehículos y se ajusta a la mayoría de los asientos de vehículos, aunque no a todos.
2. Hay muchas posibilidades de que se ajuste correctamente si el fabricante del vehículo indica en el manual del vehículo que se puede utilizar un dispositivo de sujeción para niños 'Universal' en dicho vehículo con niños que pertenezcan a este grupo de edades.
3. Este dispositivo de sujeción para niños ha sido clasificado como 'Universal' bajo unas condiciones más estrictas que las que se han aplicado a los diseños anteriores que no contienen este aviso.

4. En caso de duda, consulte al fabricante del dispositivo de sujeción para niños o al distribuidor.

Para la instalación con sistema ISOFIX y correa superior

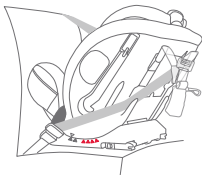
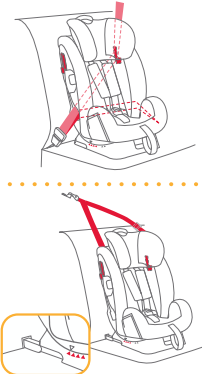
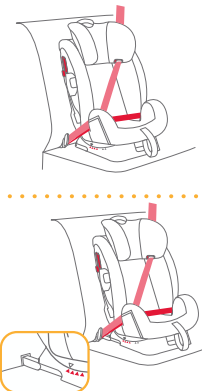
1. Este es un sistema de retención infantil ISOFIX. Está aprobado por la serie de enmiendas de la Norma 44, 04 para el uso general en vehículos equipados con sistemas de sujeción ISOFIX. Es adecuado para su colocación en las posiciones de sentado de la mayoría de los coches.
2. Se ajustará a los vehículos con posiciones aprobadas como posiciones ISOFIX (como se indica en el manual del vehículo), dependiendo de la categoría del dispositivo de sujeción para niños y la sujeción.
3. Las posiciones de sentado en otros coches también pueden ser adecuadas para colocar el dispositivo de sujeción para niños. En caso de duda, consulte al fabricante del dispositivo de sujeción para niños o al fabricante del vehículo.
4. La clase de tamaño ISOFIX para la que está diseñado este dispositivo es B1.

Para la instalación con sistema ISOFIX y cinturón de 3 puntos de sujeción

1. El sistema de retención para niños está clasificado para uso "Semi-Universal".
2. Posiciones del asiento en otros coches también pueden ser adecuados para aceptar el niño restricción. En caso de duda, consulte con el fabricante del Fabricante del vehículo.

Producto	Dispositivo de sujeción para niños
Modelo	C1602
Apto para	Niños con un peso de 0 - 36 kg (aproximadamente 0 – 12 años)
Grupo de masa	0+/1/2/3
Materiales	Plástico, metal, tela
Patente n.º	Pendiente de patente

Elegir el modo de instalación

Peso del niño	Modo de instalación	Figura de la instalación	Edad de referencia	Posición del asiento	Instrucciones del accesorio para niños pequeños
<18kg	Modo para bebés		<4 años	Posición 5-6 5 6	Utilice el accesorio para niños pequeños desde los 0 a los 9 meses para ayudar a sujetar firmemente al niño
9 -18kg	Modo para niños pequeños		De 1 a 4 años	Posición 1-4 1 2 3 4	Cuando instale el dispositivo de sujeción para niños en el modo para niños pequeños, no utilice el accesorio para niños pequeños.
15 -36kg	Modo junior		3 a 12 años	Posición 1-4 1 2 3 4	Cuando instale el dispositivo de sujeción para niños en el modo junior, no utilice el accesorio para niños pequeños.

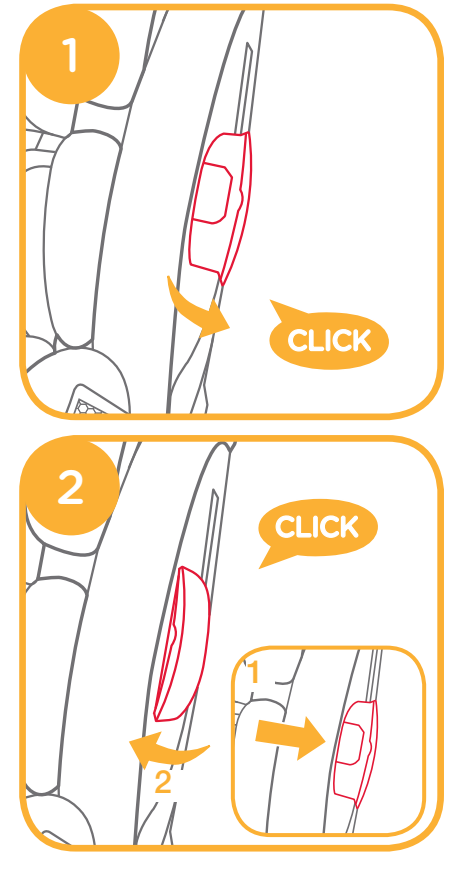
Importante

1. NO utilice el modo orientado hacia adelante antes de que el niño pese más de 9 kg.
2. Cuando pueda colocar al niño tanto en modo para bebés como en modo para niños pequeños, le recomendamos que instale este dispositivo de sujeción para niños en modo para bebés, ya que es relativamente más seguro.

Uso de la placa de protección contra impacto lateral

Consulte las imágenes 1 - 2

- ! Deberá abrir la placa de protección contra impacto lateral para que su hijo esté más seguro. La placa de protección contra impactos laterales opuesta a la puerta del vehículo se puede cerrar para disponer de más espacio para sentarse.



Ajuste de la inclinación

Consulte las imágenes 3 - 4

Ajuste de la inclinación 3

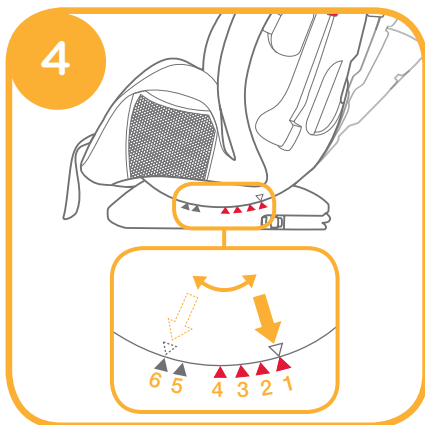
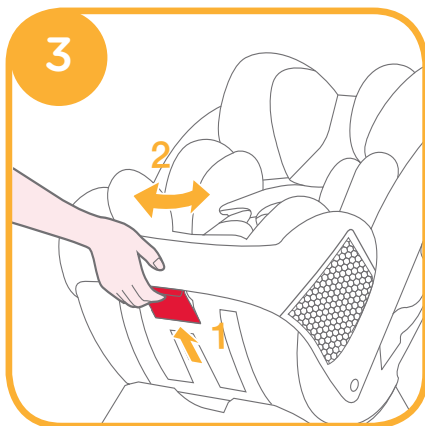
Los ángulos de inclinación son los indicados en 4

Hay dos ángulos de inclinación (5-6) para el modo para bebés, identificados mediante triángulos azules.

Hay cuatro ángulos de inclinación (1-4) para el modo para niños pequeños y el modo junior, identificados mediante triángulos rojos.

Indicación del ángulo: con los triángulos superiores e inferiores alineados.

! Asegúrese de volver a apretar el cinturón de seguridad del vehículo si se ha ajustado en posición de inclinación, y viceversa, si ya ha abrochado el cinturón correctamente con anterioridad.



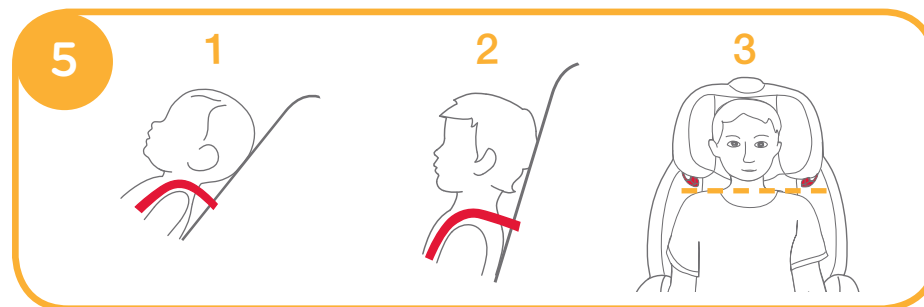
Ajuste de la altura de los arneses de los hombros y el reposacabezas

Consulte las imágenes 5 - 6

Ajuste el reposacabezas y compruebe si la altura de los arneses de los hombros es la correcta, según la altura del niño.

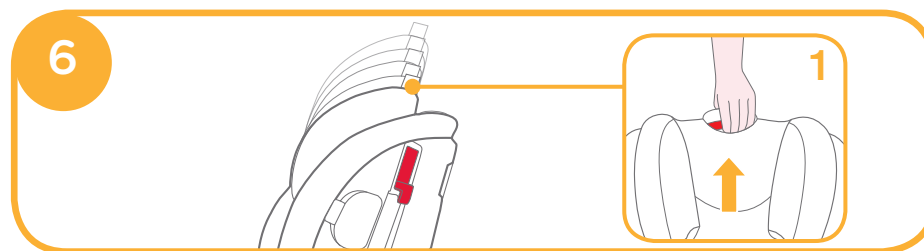
- ! Cuando utilice el modo para bebés, los arneses de los hombros deberán estar a la altura de los hombros del niño. 5-1
- ! Cuando utilice el modo para niños pequeños, los arneses de los hombros deberán estar a la altura de los hombros del niño. 5-2
- ! Cuando utilice el modo junior, las guías del cinturón del hombro deberán estar a la altura de los hombros del niño. 5-3

Si los arneses de los hombros no están a la altura adecuada, el niño podría salir despedido del dispositivo de sujeción para niños en el caso de que ocurra un accidente.



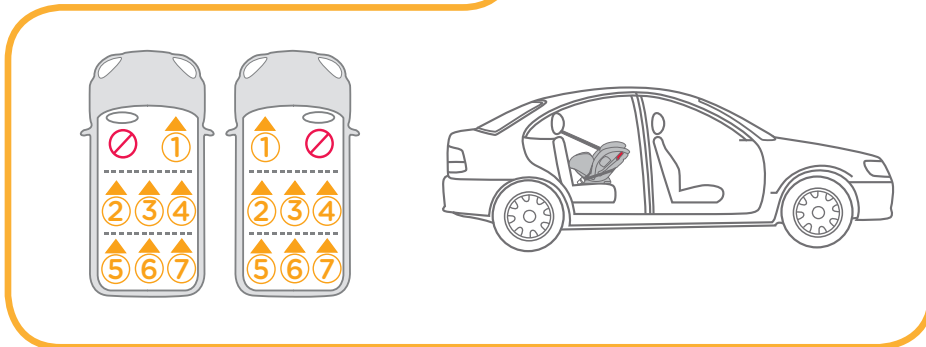
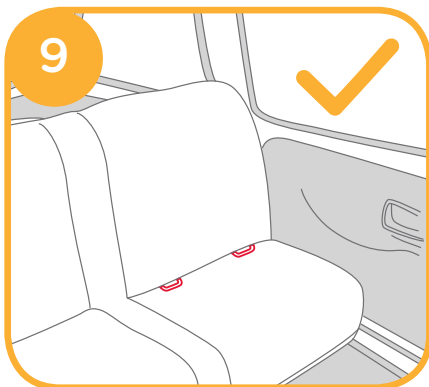
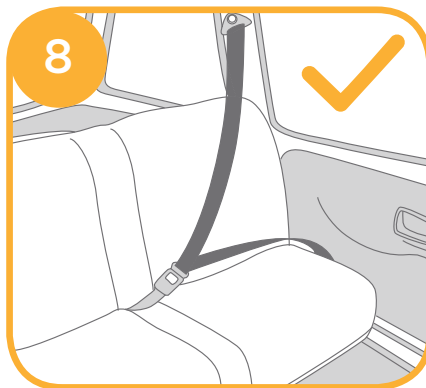
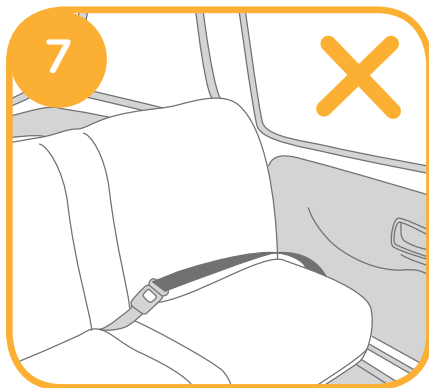
Presione la palanca de ajuste del reposacabezas, al mismo tiempo que empuja hacia arriba o hacia abajo el reposacabezas hasta que quede fijado en una de las 10 posiciones. Las posiciones del reposacabezas se indican en la 6

! Los protectores laterales pueden abrirse cuando el reposacabezas está ajustado a la posición 6.



Consideraciones acerca de la instalación

Consulte las imágenes 7 - 10



Modo para bebés

(Modo orientado hacia atrás/para niños de menos de 18 kg/de recién nacidos a los 4 años de edad)

Consulte las imágenes 11 - 20

! Instale el dispositivo de sujeción para niños en el asiento trasero del vehículo y, a continuación, coloque al niño en el dispositivo de sujeción para niños.

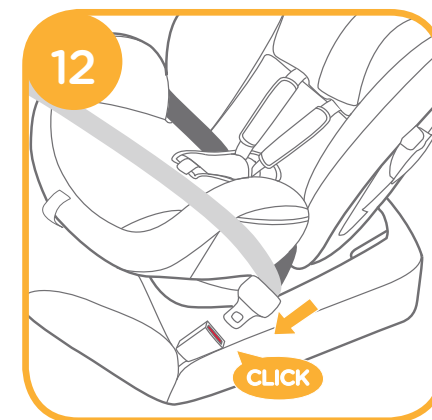
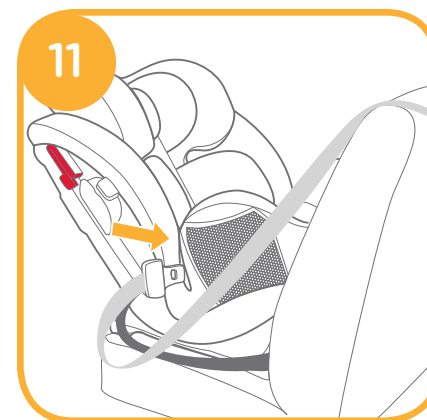
i. Instalación en modo para bebés

! Ajuste el dispositivo de sujeción para niños al ángulo adecuado (2 posiciones en el modo para bebés). Indicación del ángulo: con el triángulo superior y el triángulo azul alineados.

! Asegúrese de que los arneses de los hombros estén ajustados a una altura adecuada antes de instalar este dispositivo de sujeción para niños.

! Cuando instale y ajuste los cinturones de seguridad, asegúrese de que tanto el cinturón de los hombros como el de la cintura no estén retorcidos y no bloqueen los cinturones de seguridad para que puedan funcionar correctamente.

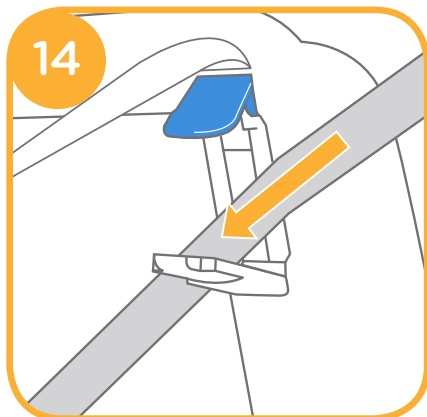
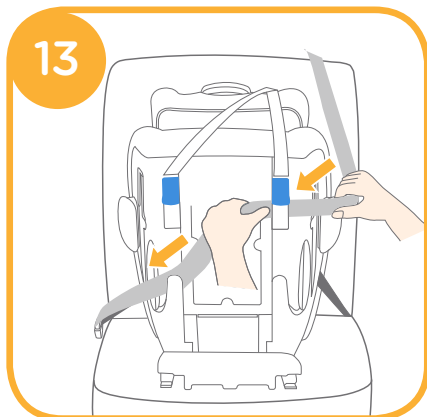
1. Pase el cinturón de la cintura por las guías del cinturón de cintura y, a continuación, fije el enganche de la hebilla del vehículo en la hebilla. 11 12



2. Abroche el cinturón de los hombros a las dos ranuras del cinturón de los hombros situadas en la parte trasera del dispositivo de sujeción para niños. 13

! Pase el cinturón de los hombros por el cierre 14 .

! Asegúrese de que la tapa del cierre esté completamente cerrada cuando no la utilice para evitar lesiones o daños a la tapicería del vehículo.



3. Presione sobre el dispositivo de sujeción para niños y, al mismo tiempo, tire de los cinturones para que el dispositivo de sujeción para niños quede firmemente sujeto. 15

! El dispositivo de sujeción para niños no puede utilizarse si la hebilla del cinturón de seguridad del vehículo (extremo hembra de la hebilla) es demasiado larga para sujetar con seguridad el dispositivo de sujeción para niños.

! Compruébelo moviendo el dispositivo de sujeción para niños hacia adelante y hacia atrás.

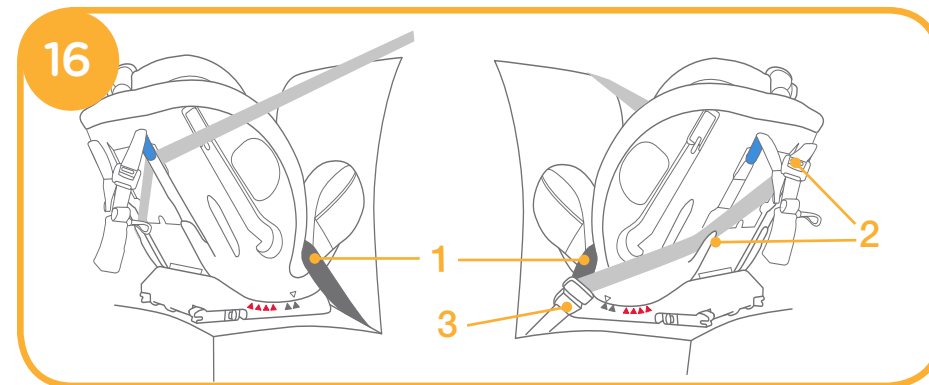


El cinturón del vehículo montado correctamente aparece en la figura 16

! El cinturón de la cintura pasa por las guías del cinturón de cintura, como muestra la figura 16 -1

! El cinturón de los hombros debe pasar por las ranuras del cinturón de seguridad, como muestra la figura 16 -2

! El enganche de la hebilla del vehículo deberá estar correctamente sujeto con la hebilla, como se muestra en la imagen 16 -3



ii. Sujetar al niño en el dispositivo de sujeción para niños Uso del accesorio para niños pequeños

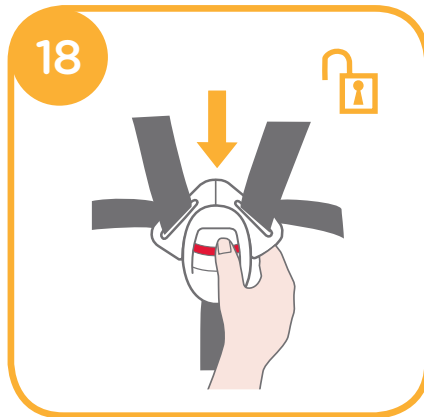
<p>Le recomendamos que utilice el accesorio para niños pequeños completo cuando el bebé tenga menos de 60 cm de altura o hasta que dicho accesorio se le quede pequeño. El accesorio para niños pequeños aumenta la protección contra impactos laterales.</p>	<p>Suelte las sujeciones del reposacabezas para retirar el reposacabezas del accesorio para niños pequeños.</p>	<p>Retire el reposacabezas del accesorio para niños pequeños cuando el niño ya no pueda apoyar su cabeza en él cómodamente.</p>
<p>Suelte las sujeciones del reposacabezas para retirar el reposacabezas del accesorio para niños pequeños.</p>	<p>Suelte las sujeciones del reposacabezas para retirar el reposacabezas del accesorio para niños pequeños.</p>	<p>Retire la parte que sujeta el cuerpo del accesorio para niños pequeños cuando el niño ya no pueda apoyar sus hombros cómodamente.</p>
	<p>Retire el cojín interior soltando los broches para dejar más espacio cuando el bebé no entre cómodamente en el asiento. El cojín puede utilizarse suelto sin acoplarlo a la parte interior para sujetar la espalda del bebé y proporcionar mayor comodidad.</p>	

1. Mientras presiona el botón de ajuste del arnés, tire totalmente de los dos arneses de los hombros del dispositivo de sujeción para niños

17

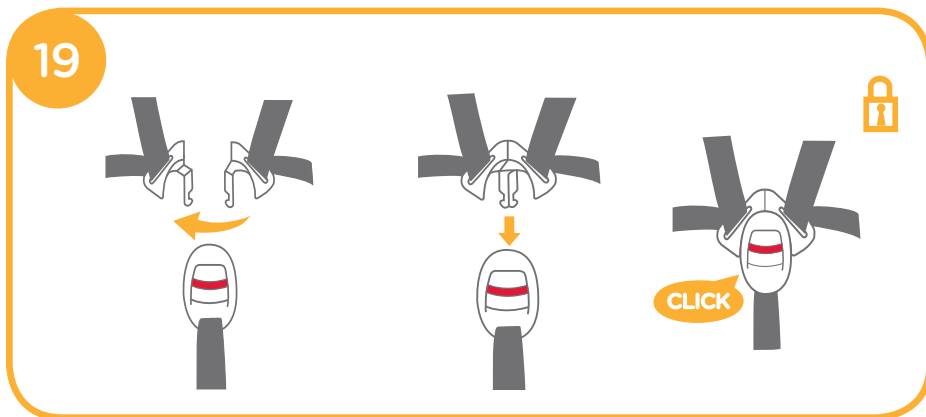


2. Pulse el botón rojo para soltar la hebilla. 18



3. Coloque al niño en el dispositivo de sujeción para niños y pase ambos brazos por los arneses.

4. Enganche la hebilla. 19



5. Empuje hacia abajo la cincha de ajuste y ajústela de forma que la longitud sea la adecuada para garantizar que su hijo quede sujeto cómodamente. 20

! Después de sentar al niño, vuelva a comprobar si los arneses de los hombros están a una altura adecuada.

! Asegúrese de que el espacio entre el niño y el arnés de los hombros sea el del grosor de una mano más o menos.



Modo para niños pequeños

(Modo orientado hacia adelante/para niños con un peso de entre 9 y 18 kg/de 1 a 4 años de edad)

Consulte las imágenes 21 - 39

! Instale el dispositivo de sujeción para niños en el asiento del vehículo y, a continuación, coloque al niño en el dispositivo de sujeción para niños.

i. Instalación en modo para niños pequeños

! Ajuste el dispositivo de sujeción para niños al ángulo adecuado (4 posiciones en el modo para niños pequeños). Indicación del ángulo: con el triángulo superior y el triángulo rojo alineados.

! Ajuste los arneses de los hombros a la altura adecuada antes de instalar el dispositivo de sujeción para niños.

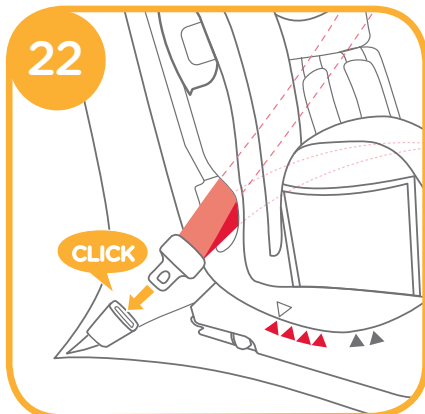
! Cuando instale y ajuste los cinturones de seguridad, asegúrese de que tanto el cinturón de los hombros como el de la cintura no estén retorcidos y no queden mal colocados.

a. Para instalación con cinturón de 3 puntos de sujeción

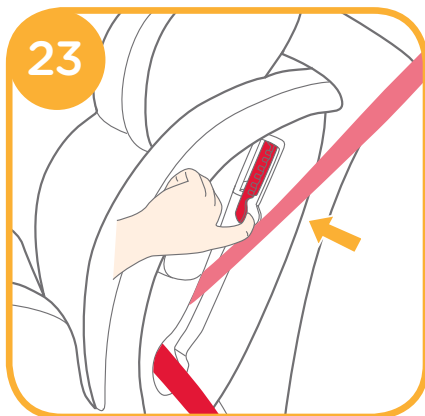
1. Pase el cinturón de seguridad por las dos ranuras posteriores del cinturón del asiento situadas en la parte trasera del dispositivo de sujeción para niños. **21**



2. Abroche el cinturón de seguridad. **22**



3. Abra el dispositivo de cierre e inserte el cinturón de seguridad en él. **23**



4. Presione sobre el dispositivo de sujeción para niños y, al mismo tiempo, tire de los cinturones para que el dispositivo de sujeción para niños quede firmemente sujeto. **24**

! El dispositivo de sujeción para niños no puede utilizarse si la hebilla del cinturón de seguridad del vehículo (extremo hembra de la hebilla) es demasiado larga para sujetar con seguridad el dispositivo de sujeción para niños. **24 -1**

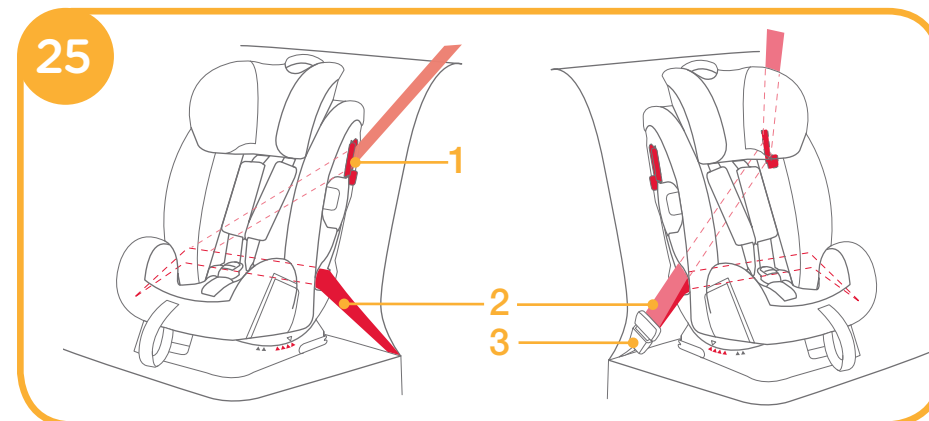
! Compruébelo moviendo el dispositivo de sujeción para niños hacia adelante y hacia atrás.

El cinturón de seguridad montado aparece en la figura **25**

! El cinturón de los hombros deberá pasar por el dispositivo de cierre, como muestra la figura **25 -1**

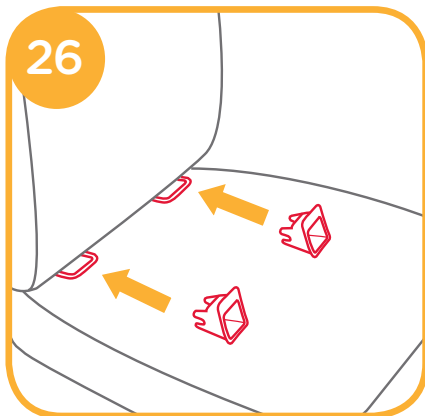
! El cinturón de la cintura pasa por las ranuras posteriores del cinturón del asiento, como muestra la figura **25 -2**

! El enganche de la hebilla del vehículo deberá estar correctamente sujeto con la hebilla, como se muestra en la imagen **25 -3**

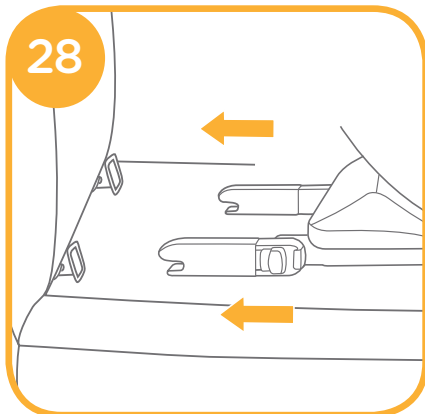
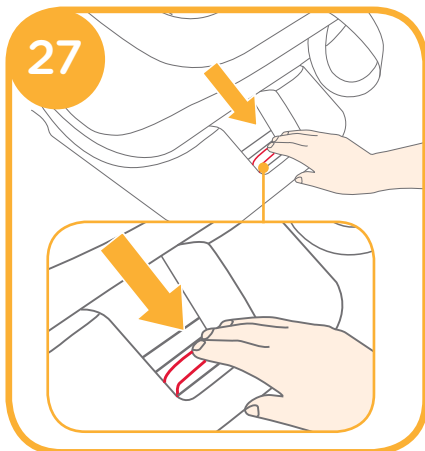


b. Para la instalación con sistema ISOFIX y correa superior

1. Encaje las guías ISOFIX con los puntos de anclaje ISOFIX. Las guías ISOFIX pueden proteger la superficie del asiento del vehículo contra roturas. También sirven para guiar los conectores ISOFIX. **26**



2. Extienda los conectores ISOFIX pulsando el botón de desbloqueo **27** mientras tira del conector **28**



! Asegúrese de que ambos conectores ISOFIX estén firmemente sujetos en sus puntos de anclaje ISOFIX. Los colores de los indicadores de ambos conectores ISOFIX deberán aparecer completamente en verde.

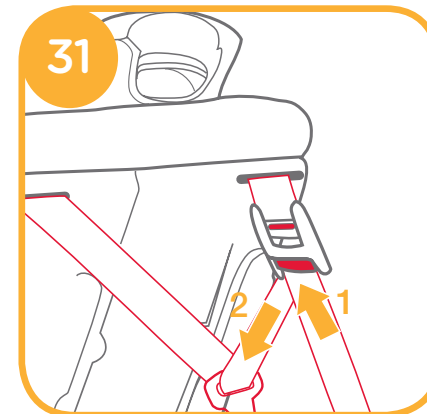
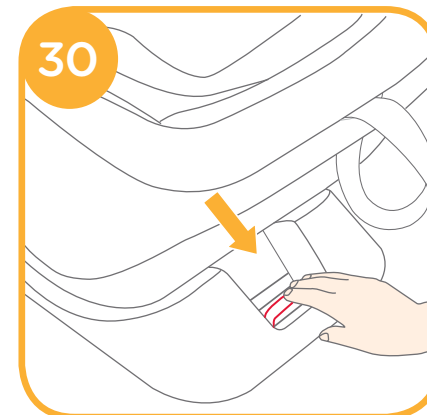
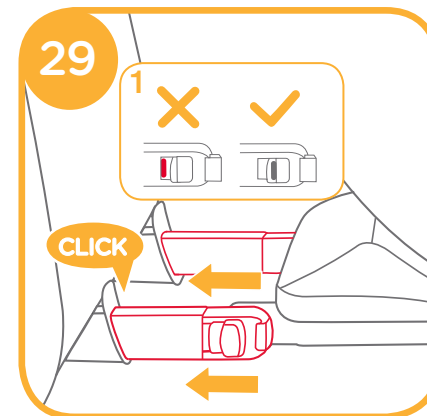
29

! Los conectores ISOFIX deberán estar acoplados y bloqueados en los puntos de anclaje ISOFIX.
! Para asegurarse de que el dispositivo de sujeción para niños está instalado de forma segura, tire de ambos conectores ISOFIX.

! Seleccione la posición de reclinación deseada antes de desplazar el dispositivo hacia atrás contra el asiento del vehículo, ya que una vez fijada y tensada la correa superior, no podrá cambiar el ángulo de reclinación sin ajustar la correa superior.

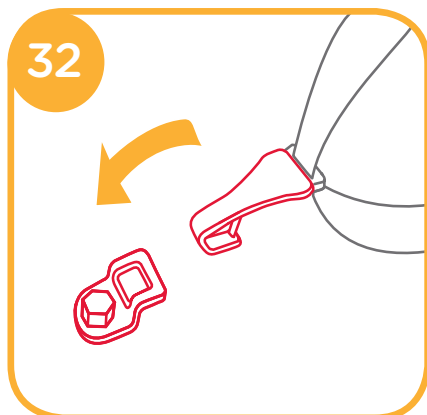
3. Pulse el botón de desbloqueo del sistema ISOFIX y empuje el dispositivo de sujeción para niños hacia atrás contra el asiento del vehículo hasta que quede sujeta. **30**

4. Para extraer la correa superior, presione el botón del ajustador de la correa y tire de ella. **31**



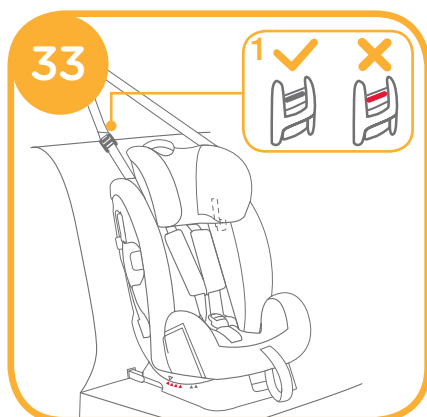
5. Conecte el gancho de la correa con seguridad al anclaje. 32

! USE la correa superior para la instalación en modo para niños pequeños si el vehículo está equipado con anclaje de correa y el vehículo cumple con los requisitos necesarios (consulte el manual del usuario del vehículo).



6. El sistema ISOFIX y la correa superior montados correctamente se muestran en la figura 33

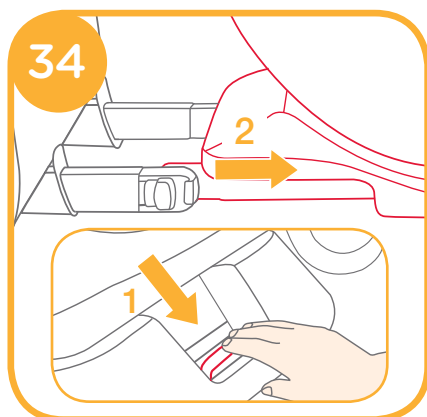
! Asegúrese de que el gancho de la correa esté bien fijado al anclaje. Los indicadores del ajustador de la correa superior deben ser de color completamente verde. 33 -1



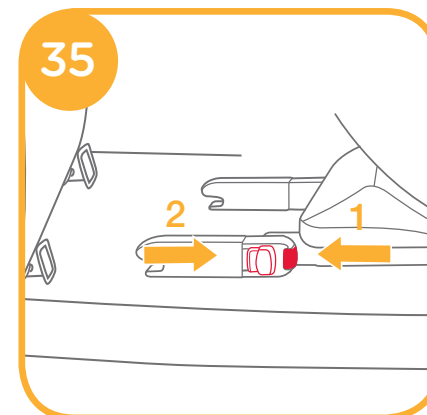
! Si ajusta el ángulo de inclinación, compruebe la tensión de la correa superior o aflójela para ajustar el ángulo y vuelva a tensarla.

Quitar la base

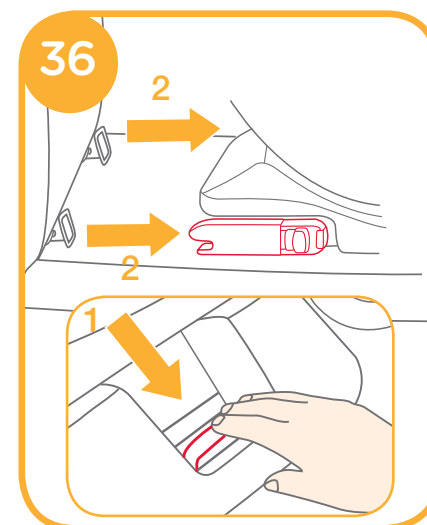
1. Para soltarla del vehículo presione el botón de ajuste del ISOFIX 34 -1 y separe la base del asiento. 34 -2



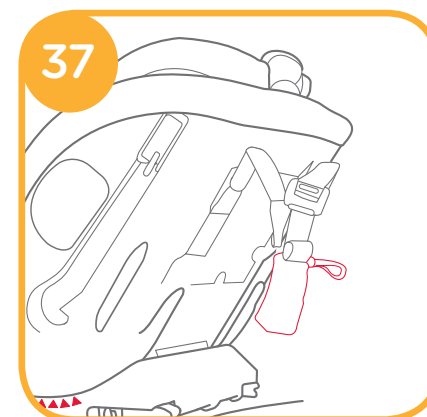
2. A continuación presione y suelte del vehículo los conectores ISOFIX. 35



! El sistema ISOFIX se pliega completamente. 36



! Almacene correctamente la correa superior cuando no la utilice. Para asegurarse de que la correa superior esté correctamente guardada, elimine la holgura de la correa para evitar que se balancee cuando el vehículo esté en marcha. 37



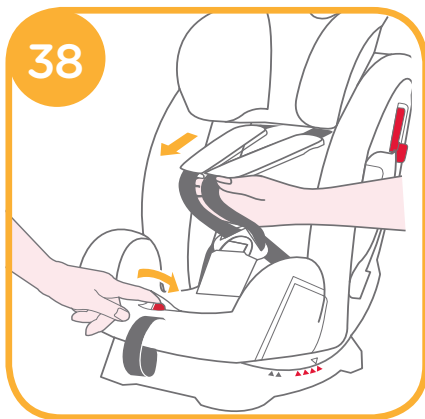
! Cuando no vaya a utilizar la cesta, guárdela de forma adecuada.

ii. Sujetar al niño en el dispositivo de sujeción para niños

! Cuando instale el dispositivo de sujeción para niños en el modo para niños pequeños, no utilice el accesorio para niños pequeños.

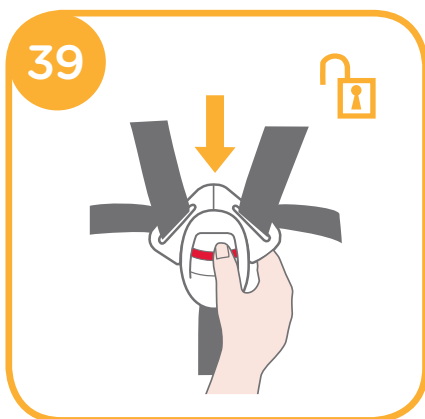
1. Mientras presiona el botón de ajuste del arnés, tire totalmente de los dos arneses de los hombros del dispositivo de sujeción para niños.

38



2. Pulse el botón rojo para soltar la hebilla. 39

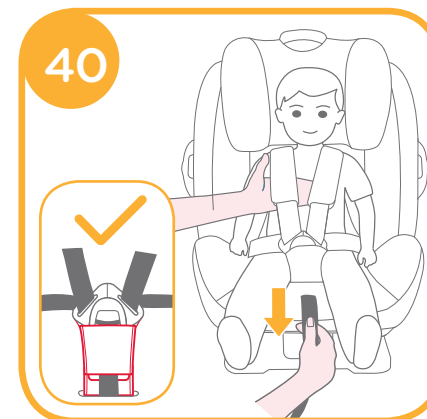
3. Coloque al niño en el dispositivo de sujeción para niños y enganche la hebilla.



4. Empuje hacia abajo la cincha de ajuste y ajústela de forma que la longitud sea la adecuada para garantizar que su hijo quede sujeto cómodamente. 40

! Después de sentar al niño, vuelva a comprobar si los arneses de los hombros están a una altura adecuada.

! Asegúrese de que el espacio entre el niño y el arnés de los hombros sea el del grosor de una mano más o menos.



Modo junior

(Modo orientado hacia adelante/para niños con un peso de entre 15 y 36 kg/de 3 a 12 años de edad)

Consulte las imágenes 41 - 46

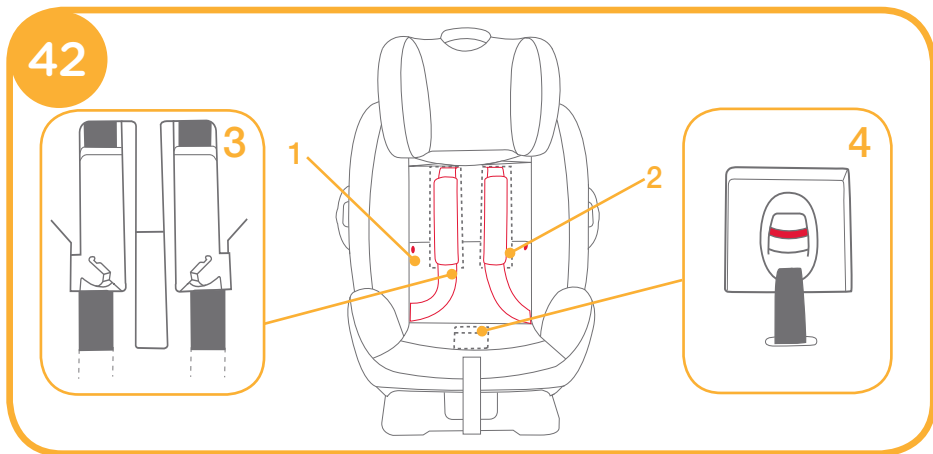
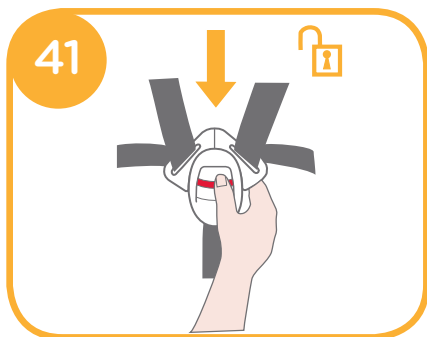
i. Instalación en modo junior

! Utilice el cinturón del vehículo únicamente al instalar el dispositivo de sujeción para niños en modo junior, no utilice el accesorio para niños pequeños ni el arnés de 5 puntos. Guarde los arneses de los hombros, la hebilla y los enganches de la hebilla en sus respectivos compartimentos de almacenamiento.

! Ajuste los arneses de los hombros hasta que la longitud sea la adecuada antes de guardar los arneses de los hombros y la hebilla en sus compartimentos de almacenamiento.

! Ajuste el dispositivo de sujeción para niños al ángulo adecuado (4 posiciones en el modo junior). Indicación del ángulo: con el triángulo superior y el triángulo rojo alineados. ! Cuando instale y ajuste los cinturones de seguridad, asegúrese de que tanto el cinturón de los hombros como el de la cintura no estén retorcidos y no queden mal colocados.

1. Pulse el botón rojo para soltar la hebilla. ⁴¹
 2. Retire el accesorio para niños pequeños y la correa de la pelvis.
- ! Cuando instale el dispositivo de sujeción para niños en el modo junior, no utilice el accesorio para niños pequeños.



3. Quite los broches. ⁴² -1
4. Levante la solapa superior hacia arriba y tire de la solapa inferior hacia adelante. A continuación, guarde los arneses de los hombros y la hebilla en sus compartimentos de almacenamiento. ⁴² -2 ⁴² -3
5. Tire de la hebilla hacia la parte trasera del acolchado del asiento y, a continuación, guarde dicha hebilla y las lengüetas de la misma en los compartimentos de almacenamiento correspondientes. ⁴² -4
6. Vuelva a acoplar los broches para recuperar el acolchado del asiento. El acolchado del asiento reensablado se muestra en ⁴³



ii. Sujetar al niño en el dispositivo de sujeción para niños

a. Para la instalación con cinturón de 3 puntos de sujeción

1. Coloque al niño en el dispositivo de sujeción para niños y compruebe si las guías del cinturón de hombro están a la altura adecuada.
2. Pase el cinturón de los hombros a través de la guía del cinturón de los hombros y el cinturón de la cintura por las guías del cinturón de cintura. Abroche la hebilla y tire del cinturón del vehículo para apretarlo.

⁴⁴

! El cinturón del hombro debe pasar por la guía del cinturón del hombro.

⁴⁵ -1

! El cinturón de la cintura pasa por las guías del cinturón de cintura.

! Deberá pasar el cinturón de la cintura del vehículo por el centro de la funda del cinturón de la pelvis y, a continuación, fije el enganche y los velcros sobre él. ⁴⁴ -2

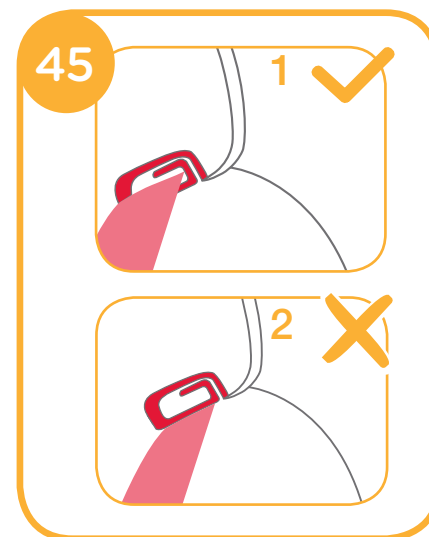
! El dispositivo de sujeción para niños no puede utilizarse si la hebilla del cinturón de seguridad del vehículo (extremo hembra de la hebilla) es demasiado larga para sujetar con seguridad el dispositivo de sujeción para niños. ⁴⁴ -1

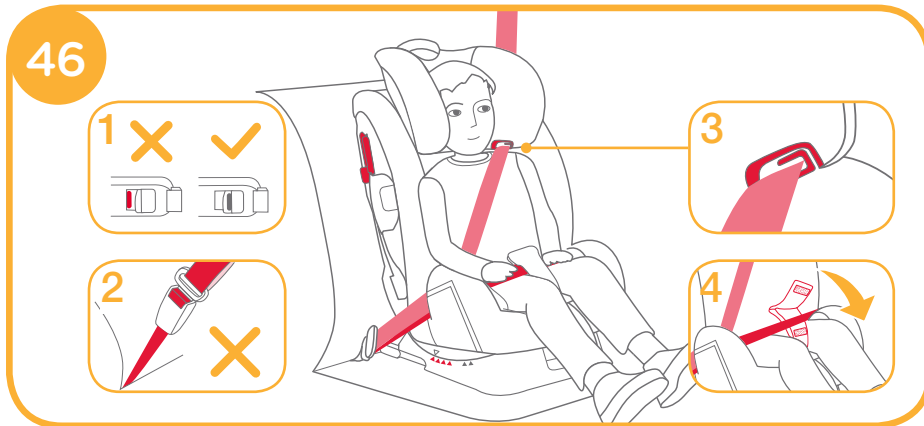
! Nunca utilice un cinturón solo de cintura para sujetar al niño por delante.

! No utilice el cinturón del hombro suelto o colocado debajo del brazo.

! No coloque el cinturón de los hombros por detrás de la espalda del niño.

! No permita que el niño se escurra hacia abajo en el dispositivo de sujeción para niños para evitar el riesgo de estrangulamiento.



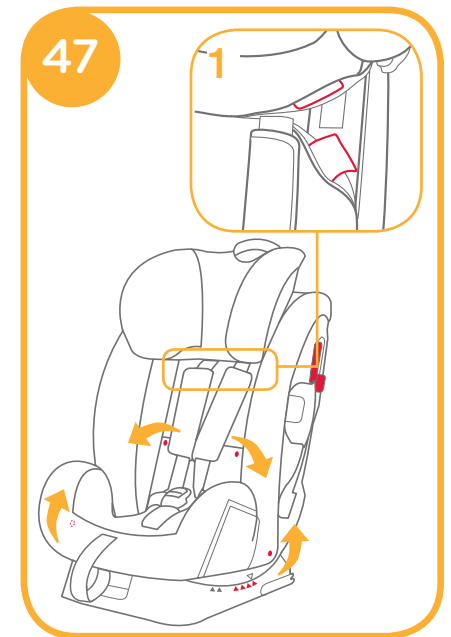


1. La instalación con sistema ISOFIX se muestra en las figuras 26 - 30
 2. Coloque al niño en el dispositivo de sujeción para niños y compruebe si las guías del cinturón de hombro están a la altura adecuada.
 3. La instalación con cinturón de 3 puntos de sujeción se muestra en las figuras 44 - 45
 4. El cinturón de 3 puntos de sujeción y el sistema ISOFIX correctamente montados se muestran en la figura 46
- ! Asegúrese de que ambos conectores ISOFIX estén firmemente sujetos en sus puntos de anclaje ISOFIX. Los colores de los indicadores de ambos conectores ISOFIX deberán aparecer completamente en verde. 46 -1
 - ! Para asegurarse de que el dispositivo de sujeción para niños está instalado de forma segura, tire de ambos conectores ISOFIX.
 - ! El cinturón del hombro debe pasar por la guía del cinturón del hombro. 46 -3
 - ! Deberá pasar el cinturón de la cintura del vehículo por el centro de la funda del cinturón de la pelvis y, a continuación, fije el enganche y los velcros sobre él. 46 -4
 - ! El cinturón de la cintura pasa por las guías del cinturón de cintura.
 - ! El dispositivo de sujeción para niños no puede utilizarse si la hebilla del cinturón de seguridad del vehículo (extremo hembra de la hebilla) es demasiado larga para sujetar con seguridad el dispositivo de sujeción para niños. 46 -2
 - ! Nunca utilice un cinturón solo de cintura para sujetar al niño por delante.
 - ! No utilice el cinturón del hombro suelto o colocado debajo del brazo.
 - ! No coloque el cinturón de los hombros por detrás de la espalda del niño.
 - ! No permita que el niño se escurra hacia abajo en el dispositivo de sujeción para niños para evitar el riesgo de estrangulamiento.

Desmontar el acolchado

Consulte las imágenes 47

1. Pulse el botón rojo para soltar la hebilla.
 2. Retire el accesorio para niños pequeños y la correa de la pelvis.
 3. Desmonte el elástico del reposacabezas y, a continuación, quite este. 47 -1
 4. Suelte las sujeciones del acolchado del asiento, tire de la hebilla hacia atrás del acolchado del asiento y, a continuación, retire el acolchado del asiento. 47
- ! Para montar el acolchado, siga los pasos anteriores.



Mantenimiento

Nota

- ! Después de retirar la espuma del accesorio para niños pequeños, guárdela en un lugar donde no pueda acceder el niño.
- ! Lave el acolchado con agua fría por debajo de los 30 °C.
- ! No planche el acolchado.
- ! No limpie en seco ni utilice lejía para lavar el acolchado.
- ! No utilice detergentes neutros sin diluir, gasolina u otros disolventes orgánicos para limpiar el dispositivo de sujeción para niños. Si lo hace, puede dañar el dispositivo de sujeción para niños.
- ! No retuerza con demasiada fuerza el acolchado cuando lo seque. Podrían quedar arrugas en el acolchado.
- ! Deje secar el acolchado en un lugar alejado de la luz directa del sol.
- ! Retire este dispositivo de sujeción para niños del asiento del vehículo cuando no vaya a utilizarlo durante un periodo prolongado de tiempo. Guarde el dispositivo de sujeción para niños en un lugar alejado de la luz directa del sol y fuera del alcance de los niños.



PT Parabéns

Você adquiriu uma cadeirinha infantil, totalmente certificada de alta qualidade. Este produto é adequado para o uso de crianças pesando MENOS de 36 kg (aproximadamente 12 anos de idade ou menos).

Leia cuidadosamente este Manual de Instruções e siga os passos de instalação, pois esta é a ÚNICA forma de proteger seu filho contra lesões sérias ou morte no caso de um acidente, e para fornecer conforto a seu filho ao utilizar este produto.

Mantenha este manual de instruções para referência futura.

Confirme

Certifique-se de que seu veículo é equipado com cinto de segurança retrátil de 3 pontos. Os cintos de segurança podem diferir em projeto e comprimento de acordo com o fabricante, data de fabricação e tipo do veículo. Esta cadeirinha infantil é adequada para uso nos veículos ajustados com cintos de segurança retráteis de 3 pontos e aprovados pelo Regulamento ECE UN N° 16 ou outras normas equivalentes. Esta cadeirinha infantil é aprovada pelo regulamento UN ECE 44, série 04 de alterações.

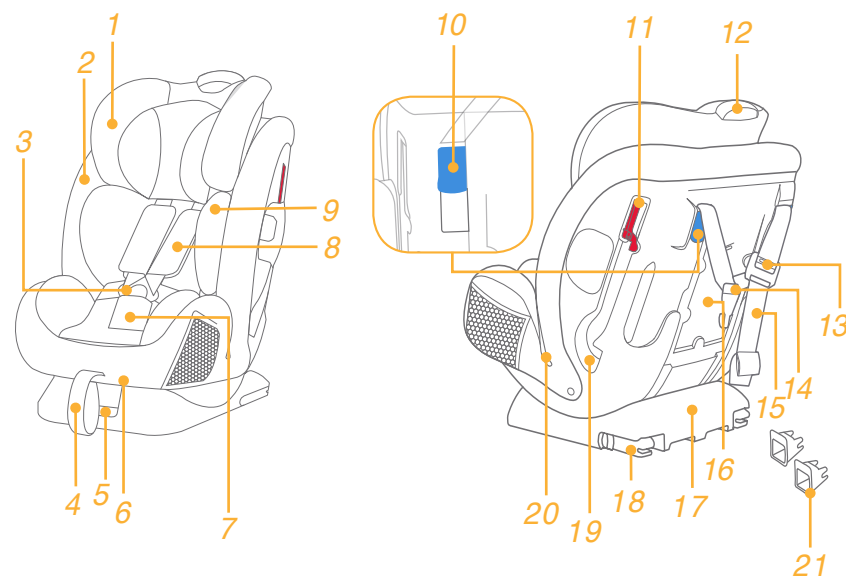
Mantenha este manual de instruções no compartimento de armazenamento da tampa traseira para referência futura.

Lista de peças

Certifique-se de que todas as peças estão disponíveis antes da montagem. Se alguma peça estiver faltando, entre em contato com o representante local. Não são necessárias ferramentas para a montagem.

- | | |
|--|---|
| 1 Suporte de cabeça | 13 Ajuste de tiras |
| 2 Almofada do assento | 14 Gancho de tiras |
| 3 Fivela | 15 Tira superior |
| 4 Regulagem do tecido | 16 Compartimento de Armazenamento do Manual de Instruções |
| 5 Botão de liberação ISOFIX | 17 Base |
| 6 Alavanca de Ajuste de Reclinação | 18 Conector ISOFIX |
| 7 Cinto entrepernas | 19 Abertura traseira do cinto de segurança |
| 8 Cinto de ombros | 20 Guia do cinto de segurança |
| 9 Encaixe infantil | 21 Guias ISOFIX |
| 10 Trava | |
| 11 Dispositivo de destravamento | |
| 12 Alavanca de ajuste do suporte de cabeça | |

As partes macias incluem Encosto do assento, Gancho do assento, Apoio para cabeça e Encaixe para crianças. Por favor, certifique-se de que não há nenhuma peça faltando. Entre em contato com o vendedor, se algo estiver faltando.



ALERTA

- ! **NENHUMA** cadeirinha infantil pode garantir proteção total contra lesões em um acidente. No entanto, o bom uso deste sistema de retenção para crianças vai reduzir o risco de ferimentos graves ou morte para o seu filho.
- ! Esta cadeirinha infantil é projetada **APENAS** para crianças pesando menos de 36 kg (aproximadamente 12 anos de idade ou menos).
- ! **NÃO** utilize o modo virado para frente antes que a criança atinja o peso de 9 kg.
- ! Qualquer tira segurando a cadeirinha no veículo deve ser apertada, qualquer cinto retendo a criança deve ser ajustado ao corpo da criança e não devem ser torcido.
- ! **NÃO** utilize ou instale esta cadeirinha infantil até que você tenha lido e entendido as instruções neste manual e no manual do proprietário de seu veículo.
- ! Observe o perigo de fazer quaisquer modificações ou adições ao dispositivo sem a aprovação da autoridade homologadora e um perigo de não seguir atentamente as instruções de instalação fornecidas pelo fabricante do dispositivo de retenção.
- ! **NÃO** faça qualquer alteração nesta cadeirinha infantil nem a use juntamente com componentes de outros fabricantes.
- ! **NÃO** utilize esta cadeirinha infantil se houver peças danificadas ou faltando.
- ! **NÃO** deixe o seu filho em roupas não ajustadas quando estiver usando esta cadeirinha infantil em modo bebê ou criança, pois isso pode impedir que o seu filho seja correta e firmemente preso pelo cintos de ombro e entre as coxas.
- ! Quando usar esta cadeirinha infantil no modo bebê ou criança, o cinto de criança deve ser utilizado corretamente para garantir que qualquer correia de colo seja usada para baixo de modo que a pélvis fique firmemente presa.
- ! **NÃO** deixe esta cadeirinha infantil solta em seu veículo porque uma cadeirinha solta pode ser jogada ao redor e pode ferir os ocupantes em uma curva fechada, parada súbita ou colisão. Remova-a se não estiver em uso regular.
- ! Criança não é deixada na cadeirinha para crianças desacompanhada.
- ! **NÃO** coloque este assento infantil em posições de assento onde um

airbag frontal ativo estiver instalado se seu filho ainda estiver no modo virado para frente.

- ! **NUNCA** utilize uma cadeirinha infantil de segunda mão ou uma cadeirinha cuja história você não conhece, visto que pode haver dano estrutural que compromete a segurança de seu filho.
- ! Por favor, mantenha seu assento infantil afastado da luz do sol, de outro modo ele pode ficar quente para a pele da criança.
- ! **NUNCA** utilize cordas ou quaisquer outros substitutos ao invés de cintos de segurança no caso de lesões da restrição.
- ! **NÃO** utilize esta cadeirinha infantil para crianças como uma cadeira normal, pois ela tende a cair e machucar a criança.
- ! O dispositivo de retenção não deve ser usado sem as partes macias.
- ! As partes macias não devem ser substituídas por qualquer uma além daquelas recomendadas pelo fabricante, pois as partes macias constituem uma parte integral do desempenho do assento.
- ! **NÃO** coloque nada além das almofadas internas recomendadas nesta cadeirinha infantil.
- ! **NÃO** carregue esta cadeirinha infantil com uma criança nela.
- ! Qualquer bagagem ou outros objetos susceptíveis de causar ferimentos em caso de colisão devem ser devidamente acondicionados.
- ! Não deixe que os cintos ou fivelas da cadeirinha infantil fiquem emperrados ou presos no assento do veículo ou porta.
- ! O dispositivo deve ser trocado quando sujeito a tensões violentas em um acidente.
- ! Remova a cadeirinha infantil do assento do veículo quando não estiver usando-o por um longo período.
- ! Para evitar asfixia, retire o saco de plástico e materiais de embalagem antes de usar este produto. O saco plástico e materiais de embalagem devem, então, ser mantidos afastados de bebês e crianças.
- ! Consulte o distribuidor para assuntos relacionados a manutenção, reparos e substituição de peças.
- ! **NÃO** utilize qualquer ponto de contato de sustentação de carga além daqueles descritos nas instruções e marcados na cadeirinha infantil.
- ! Verifique com frequência as guias ISOFIX para sujeira e limpe-as, se necessário. A confiabilidade pode ser efetuada pela entrada de sujeira, poeira, partículas de alimento etc.

! NÃO instale esta cadeirinha infantil sob as seguintes condições:

1. Assentos de veículos com cintos de segurança de 2 pontos.
2. Assentos de veículos virados para a lateral ou para trás com relação à direção de curso do veículo.
3. Assentos de veículos instáveis durante a instalação.

Emergência

Em caso de emergência ou acidentes, é importante aplicar primeiros socorros ao seu filho e buscar tratamento médico imediatamente.

Informações do Produto

Para instalação com cinto de 3 pontos ou com tira superior e sistema ISOFIX

1. Este é um sistema de segurança infantil 'Universal'. Ele foi aprovado pelo regulamento 44 da UN ECE, série de alterações 04, para uso geral em veículos e se ajustará em praticamente em todos os assentos de veículos.
2. Um ajuste correto é provável se o fabricante do veículo tiver declarado no manual do veículo que o veículo é capaz de suportar um sistema de segurança infantil 'Universal' para este grupo de idade.
3. Este sistema de segurança infantil foi classificado como 'Universal' sob condições mais estritas do que aquelas aplicadas aos projetos anteriores que não portam esta notificação.
4. Em dúvida, consulte o fabricante de cadeirinhas infantis ou o vendedor.

Para a Instalação com sistema ISOFIX e tira superior

1. Este é um sistema de retenção infantil ISOFIX. É aprovado pela Regulamentação N.º 44, 04 e séries de emendas, para o uso geral em veículos com sistemas de ancoragem ISOFIX. É adequado para a fixação nas posições no assento da maioria dos carros.
2. Se encaixará aos veículos com as posições aprovadas como posições ISOFIX (conforme detalhado no manual de instruções do veículo),

dependendo da categoria do sistema de retenção para crianças e o encaixe.

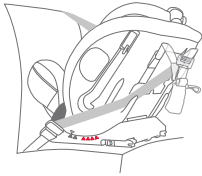


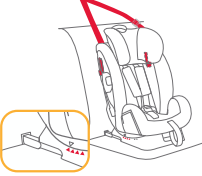

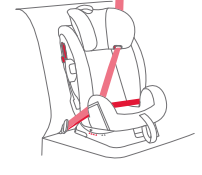
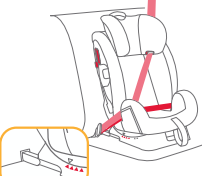

3. As posições do banco em outros carros também podem ser adequadas para aceitar este sistema de retenção para crianças. Em dúvida, consulte o fabricante de cadeirinhas infantis ou o vendedor.
4. A classe de tamanho ISOFIX para este dispositivo é B1.

Para a Instalação com sistema ISOFIX e com de cinto de 3 pontos

1. O sistema de retenção para crianças é classificado para uso "semi-universal".
2. Posições de assento em outros carros também podem ser adequados para aceitar o sistema de retenção para crianças. Em caso de dúvida, consulte o fabricante do sistema de retenção para crianças ou o fabricante do veículo.

Produto	Cadeirinha infantil
Modelo	C1602
Adequado para	Crianças com peso de 0 a 36 kg (aproximadamente 0 a 12 anos)
Grupo de Massa	0+/1/2/3
Materiais	Plásticos, metais, tecidos
Patente n.º.	Patente pendente

Seleção do Modo de Instalação

Peso da Criança	Modo de Instalação	Figura para Instalação	Idade de Referência	Posição do Assento	Instruções para inserção da criança
<18kg	Modo Bebê		< 4 anos	Posição 5-6 	O encaixe infantil deve ser usado de 0 a 9 meses para ajudar a prender a criança firmemente
9 -18kg	Modo Criança	 	1 ano a 4 anos	Posição 1-4 	Ao instalar a cadeirinha infantil no modo criança, não use o encaixe infantil.
15 -36kg	Modo Júnior	 	3 a 12 anos	Posição 1-4 	Ao instalar a cadeirinha infantil no modo Júnior, não use o encaixe infantil.

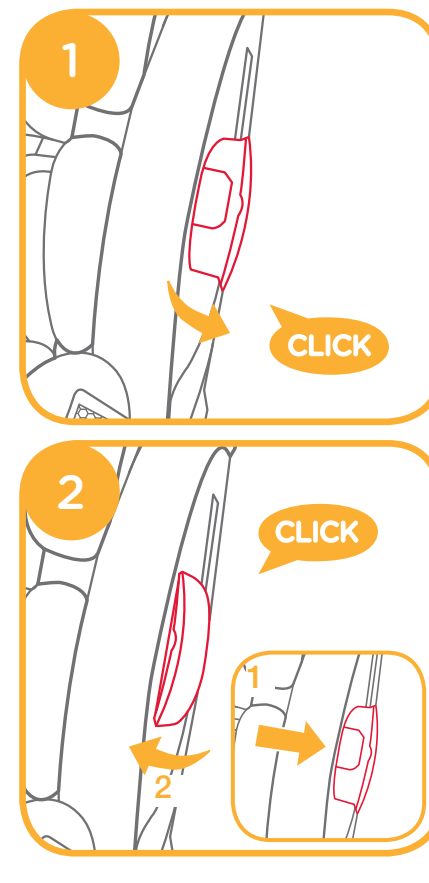
Importante

1. NÃO utilize o modo virado para frente antes que a criança atinja o peso de 9 kg.
2. Quando a criança é adequada para ambos os modos virados para frente e para trás, é recomendável instalar esta cadeirinha infantil no modo bebê, pois é relativamente mais seguro.

Proteção de Impacto Lateral

ver imagens 1 - 2

- ! Abra a proteção contra impactos para proteger a criança de forma mais segura. A proteção contra impacto lateral em frente à porta de veículo pode ser fechada para permitir mais espaço de estar.



Ajuste de Inclinação

ver imagens 3 - 4

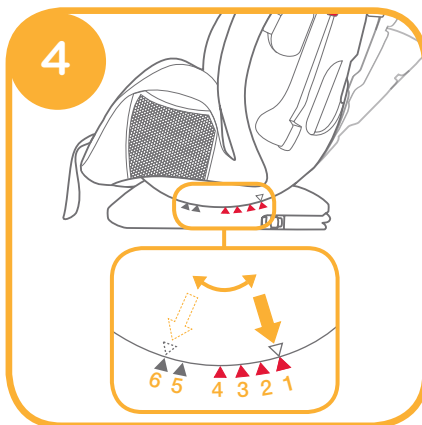
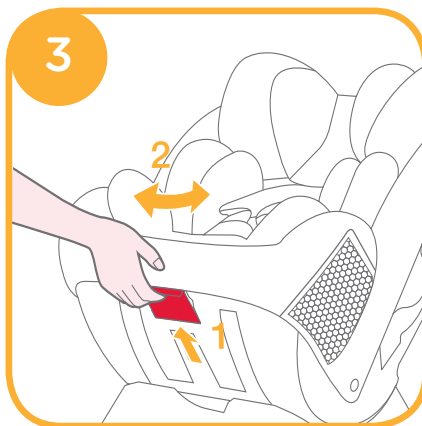
Pressione a alavanca de ajuste da inclinação e ajuste a cadeirinha infantil na posição adequada. 3

Os ângulos de inclinação são mostrados como 4

Existem dois ângulos de inclinação 5 e 6 para o modo bebê, eles são marcados com triângulos azuis. Existem quatro ângulos de inclinação 1 a 4 para o modo bebê, criança e júnior, eles são marcados com triângulos vermelhos.

Indicação do ângulo: com triângulos superiores e inferiores alinhados.

! Certifique-se que o cinto de segurança do veículo será ajustado quando na posição reclinada e vice-versa se o banco já estiver afivelado corretamente.



Ajuste de Altura para Apoio da cabeça e Cinto de ombro

ver imagens 5 - 6

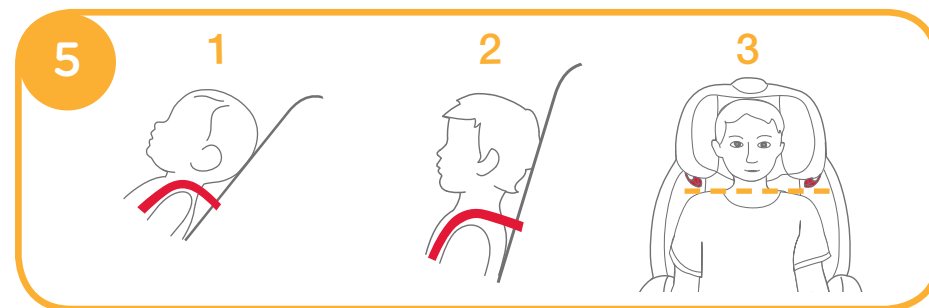
Ajuste o suporte de cabeça e cintos de ombro na altura apropriada de acordo com a altura da criança.

! Quando usado em modo bebê, a altura dos cintos de ombro deve ficar alinhada com os ombros da criança. 5-1

! Quando usado em modo bebê, a altura dos cintos de ombro deve ficar alinhada com os ombros da criança. 5-2

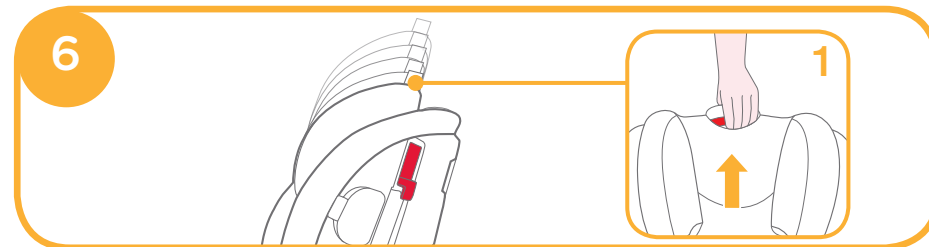
! Quando usado em modo júnior, os guias dos cintos de ombro devem ficar alinhados com os ombros da criança. 5-3

Se o cinto de ombro não estiver na altura apropriada, a criança pode ser arremessada da cadeirinha infantil, se houver um acidente.



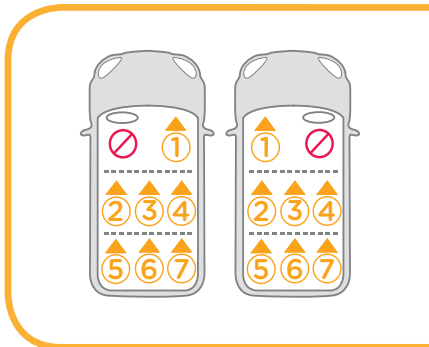
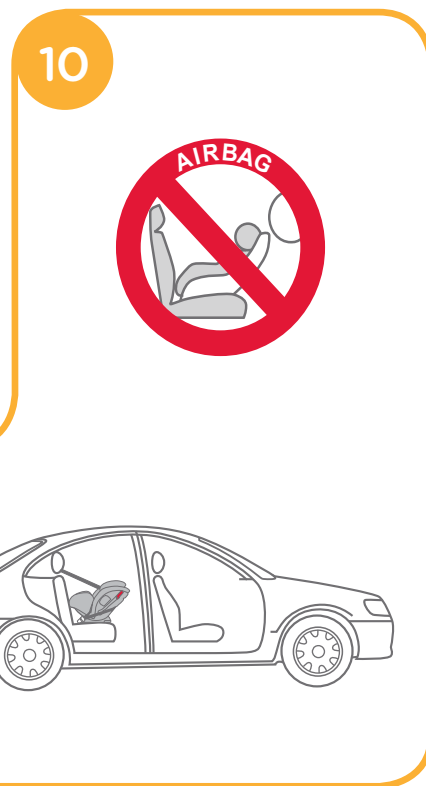
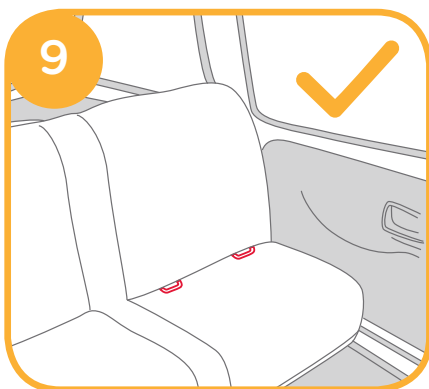
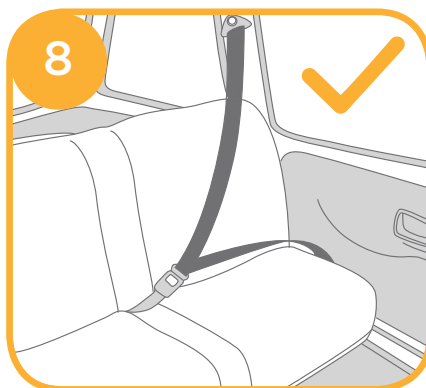
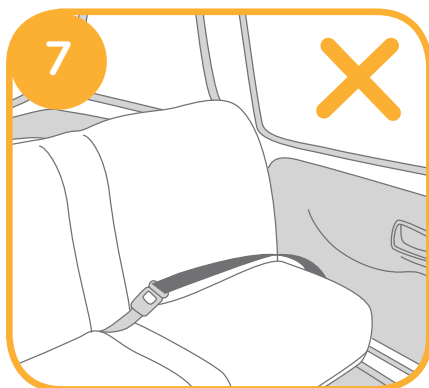
Aperte a alavanca de ajuste do suporte de cabeça ao puxar ou empurrar o suporte de cabeça até que se encaixe em uma das 10 posições. As posições do suporte de cabeça são apresentadas como 6

! As abas laterais podem ser abertas enquanto o suporte de cabeça é ajustado na 6ª posição.



Observar ao instalar

ver imagens 7 - 10



Modo Bebê

(Modo de Costas/para Criança entre 18 kg /
Recém-nascido - 4 anos)

ver imagens 11 - 20

! Por favor, instale a cadeirinha infantil no assento posterior do veículo e depois coloque a criança na cadeirinha infantil.

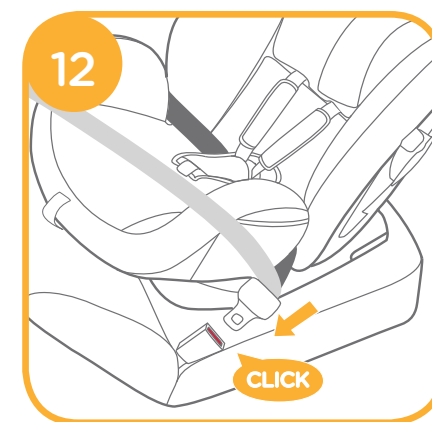
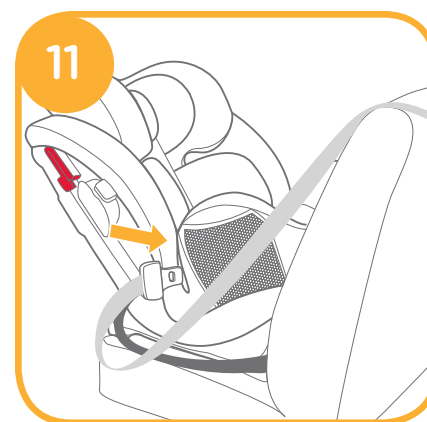
i. Instalação para Modo Bebê

! Por favor, ajuste a cadeirinha infantil no ângulo apropriado (2 posições para modo bebê). Indicação do ângulo: Com o triângulo superior e triângulo azul alinhados.

! Certifique-se de que o cinto de ombro esteja ajustada na altura apropriada antes de instalar esta cadeirinha infantil.

! Ao instalar e ajustar os cintos de segurança, certifique-se de que o cinto de ombro e o cinto de abdômen não estejam torcidos e não irão impedir que os cintos de segurança funcionem apropriadamente.

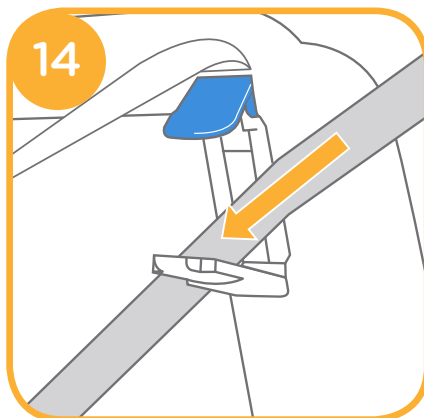
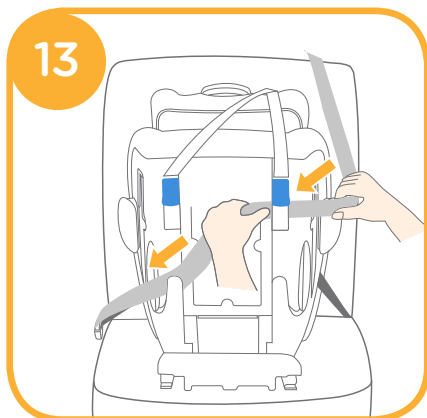
1. Passe o cinto sobre as guias de cinto e depois engate a lingueta da fivela do veículo na fivela. 11 12



2. Aperte o cinto de ombro nas duas aberturas do cinto de ombros na parte posterior do assento infantil. 13

! O cinto de ombro deve passar através da trava 14.

! Certifique-se de que a tampa da trava do cinto está completamente fechada quando não estiver em uso para evitar ferimentos ou danos ao estofamento do veículo.



3. Ao pressionar a cadeirinha infantil, puxe os cintos para apertar a cadeirinha segura e firmemente. 15

! O sistema de cadeirinha infantil não pode ser usado se a fivela do cinto de segurança do veículo (final fêmea da fivela) for muito longa para ancorar o sistema de retenção para crianças com segurança.

! Por favor, verifique movendo a cadeirinha infantil para frente e para trás.

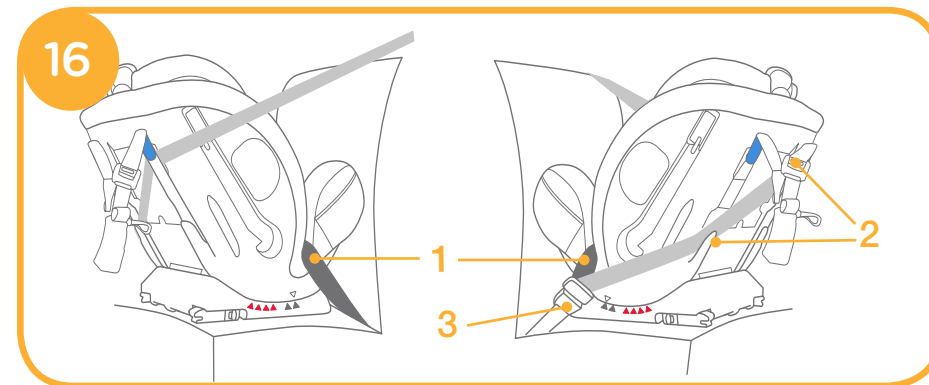


O cinto de segurança corretamente montado é mostrado como 16

! O cinto abdominal passa pelos guias de cinto, como 16 -1

! O cinto do ombro passa pelas aberturas do cinto nos ombros, como 16 -2

! A lingueta da fivela do veículo está engatada com a fivela corretamente, como 16 -3



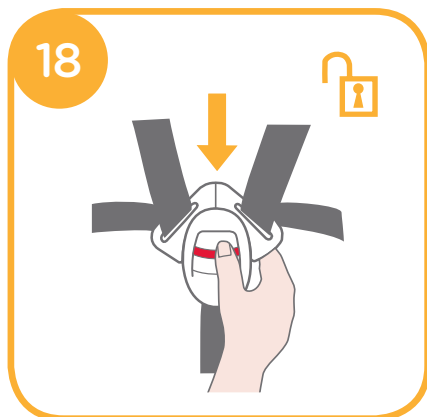
ii. Protegendo o seu Filho na Cadeira infantil com Uso do Encaixe Infantil

<p>Recomendamos o uso do encaixe infantil completo enquanto o bebê estiver abaixo de 60 cm ou até que ultrapasse o encaixe. O encaixe infantil aumenta a proteção contra choques laterais.</p>	<p>Solte o encaixe no suporte de cabeça para remover a parte do encaixe para a cabeça da criança.</p>	<p>Retire a parte do suporte da cabeça do bebê quando a cabeça da criança não se encaixa confortavelmente.</p>
		<p>Retire o encaixe de almofada para bebê destacando os encaixes para permitir mais espaço quando o bebê não cabe confortavelmente. A almofada pode ser utilizada separadamente sem ser anexada ao encaixe para reforçar as costas da criança para mais conforto.</p>

1. Enquanto pressiona o botão de ajuste do cinto, retire completamente os dois cintos dos ombros da cadeirinha infantil. **17**

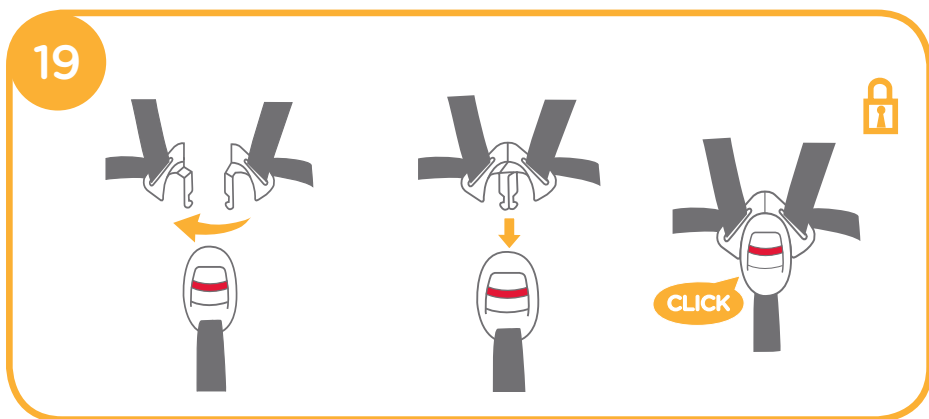


2. Pressione o botão vermelho para soltar a fivela. **18**



3. Coloque a criança na cadeirinha infantil e passe ambos os braços através dos cintos.

4. Prenda a fivela. **19**



5. Puxe a rede de ajuste e ajuste no comprimento apropriado para certificar-se de que seu filho esteja apropriadamente preso. **20**



! Depois que a criança estiver sentada, verifique novamente se o cinto de ombro está na altura correta.

! Certifique-se de que o espaço entre a criança e a faixa de ombro é de aproximadamente a espessura de uma mão.

Modo Criança

(Modo de Frente/para Criança entre 9 e 18 kg / 1 a 4 anos)

ver imagens **21** - **39**

! Por favor, instale a cadeirinha infantil no assento do veículo e depois coloque a criança na cadeirinha.

i. Instalação para Modo Criança

! Por favor, ajuste a cadeirinha infantil no ângulo apropriado (4 posições para modo criança). Indicação do ângulo: Com o triângulo superior e triângulo vermelho alinhados.

! Por favor, ajuste o cinto de ombro na altura apropriada antes de instalar a cadeirinha.

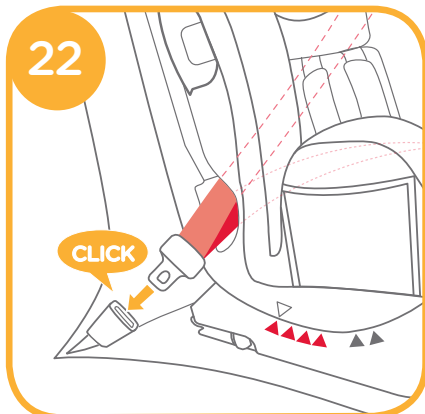
! Ao instalar e ajustar os cintos de segurança, certifique-se de que o cinto de ombro e o cinto de abdômen não estejam torcidos e não irão impedir que os cintos de segurança sejam apropriadamente posicionados.

a. Para instalação com cinto de 3 pontos

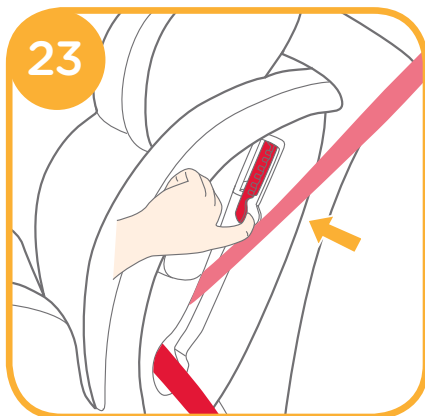
1. Rosqueie o cinto de segurança através das duas aberturas posteriores nas costas da cadeirinha. 21



2. Afivele o cinto de segurança. 22



3. Abra o dispositivo destravamento e encaixe o cinto de segurança nele. 23



4. Ao pressionar a cadeirinha infantil, puxe os cintos para apertar a cadeirinha segura e firmemente. 24

! O sistema de cadeirinha infantil não pode ser usado se a fivela do cinto de segurança do veículo (final fêmea da fivela) for muito longa para ancorar o sistema de retenção para crianças com segurança. 24 -1



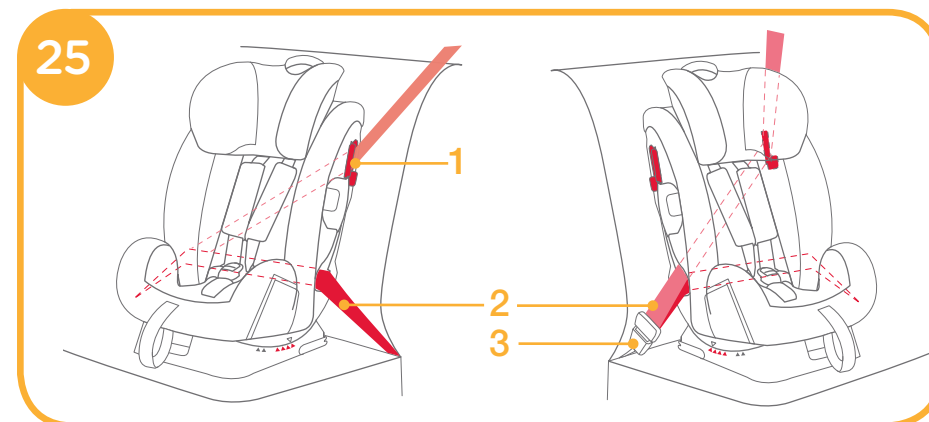
! Por favor, verifique movendo a cadeirinha infantil para frente e para trás.

O cinto de segurança montado é mostrado como 25

! O cinto de ombro passa através do Dispositivo de Destravamento, como 25 -1

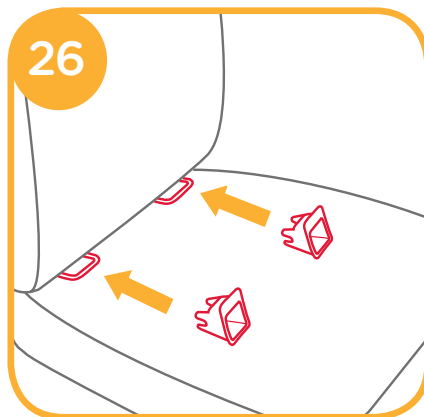
! O cinto da cintura passa pelas aberturas posteriores, como 25 -2

! A lingueta da fivela do veículo está engatada com a fivela corretamente, como 25 -3

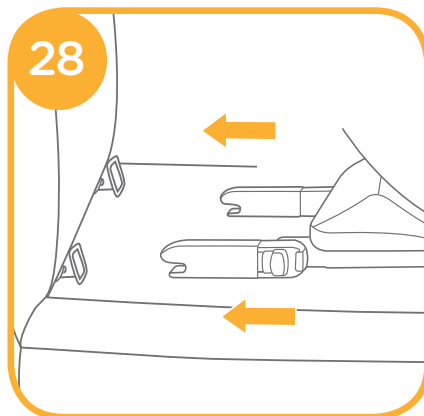
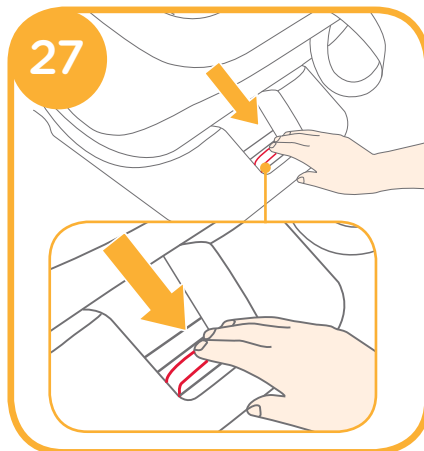


b. Para a Instalação com sistema ISOFIX e tira superior

1. Encaixe as guias ISOFIX com pontos de fixação ISOFIX. As guias ISOFIX podem proteger a superfície do assento do veículo de ser rasgada. Elas também podem guiar os conectores ISOFIX. **26**



2. Estenda os conectores ISOFIX pressionando o botão de liberação **27** enquanto puxa o conector **28**



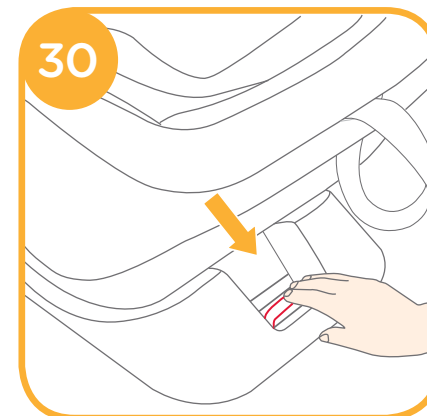
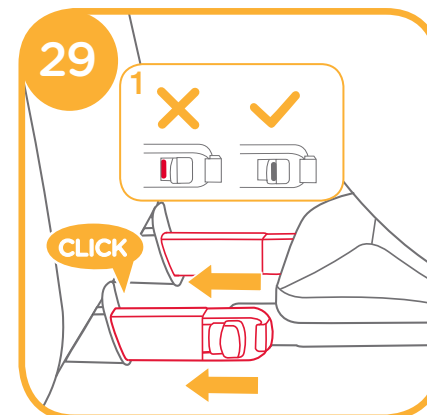
! Certifique-se de que ambos os conectores ISOFIX estão firmemente conectados aos seus pontos de fixação ISOFIX. As cores dos indicadores em ambos os conectores ISOFIX devem ser completamente verdes. **29**

! Os conectores ISOFIX devem ser presos e travados no pontos de fixação ISOFIX.

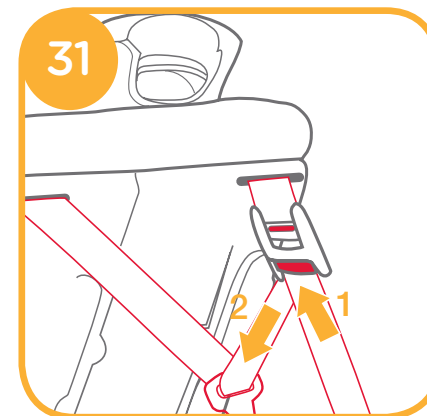
! Verifique se a cadeirinha está firmemente instalada, puxando ambos os conectores ISOFIX.

! Selecione a posição de inclinação desejada antes de voltar o assento do veículo, pois uma vez que a tira superior é esticada e acoplada, o ângulo de inclinação não será capaz de mudar sem ajustar a tira superior.

3. Pressione o botão de liberação ISOFIX e empurre a cadeirinha contra o assento do veículo até apertar. **30**

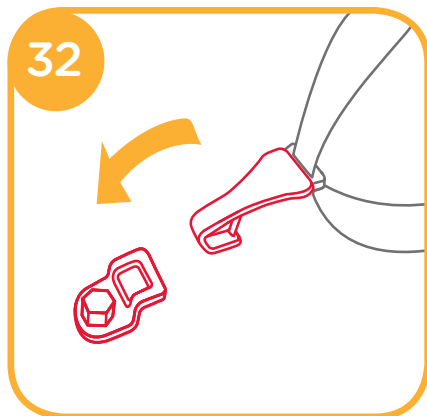


4. Para estender a tira superior para uso, pressione o botão no Ajustador de Tira e puxe para alongar. **31**



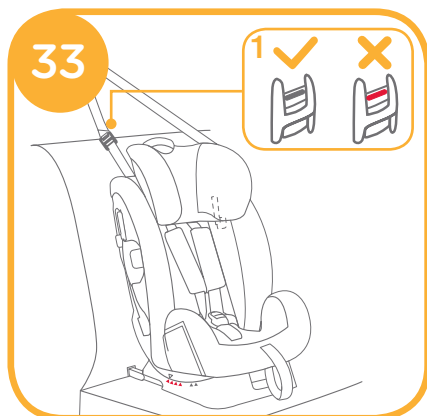
5. Conecte de forma segura o gancho do cabo no encaixe de fixação. **32**

! USE a Tira Superior para instalação no modo da criança, se o veículo estiver equipado com um encaixe de fixação de tira e os requisitos do veículo forem atendidos (consulte o manual do veículo).



6. Sistema ISOFIX corretamente montado e tira superior são mostrados como **33**

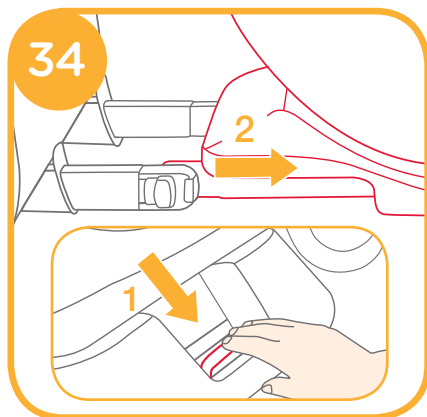
! Certifique-se de que esse gancho de tira está unido firmemente ao encaixe de fixação. As cores dos indicadores no ajuste de tira devem ser completamente verdes. **33 -1**



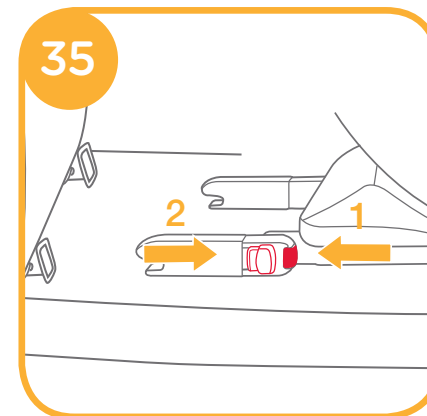
! Se o ângulo de reclinção for ajustado, verifique a tensão sobre a tira superior ou solte para ajustar o ângulo, em seguida, tensione novamente.

Removendo a base

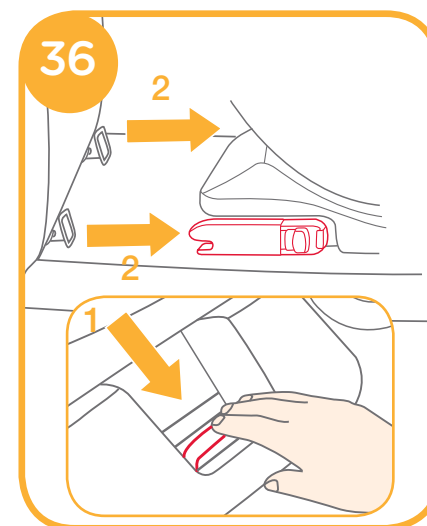
1. Para remover do veículo pressione o botão ajustador **34 -1** ISOFIX e puxe a base para trás do assento. **34 -2**



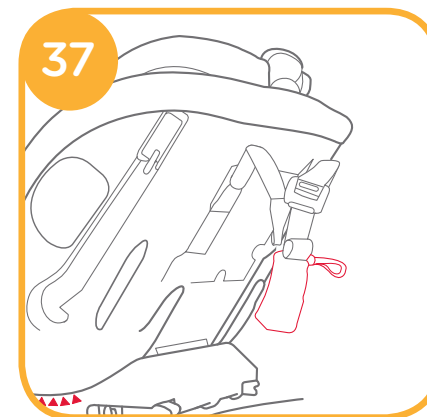
2. Então pressione e solte os conectores do veículo ISOFIX. **35**



! O ISOFIX é totalmente dobrado. **36**



! Quando não estiver em uso, a tira superior deve ser armazenada corretamente. Para ter certeza de que a fixação da parte superior está devidamente armazenada, remova qualquer folga na tira de fixação da parte superior para evitar balançar quando o veículo estiver em movimento. **37**

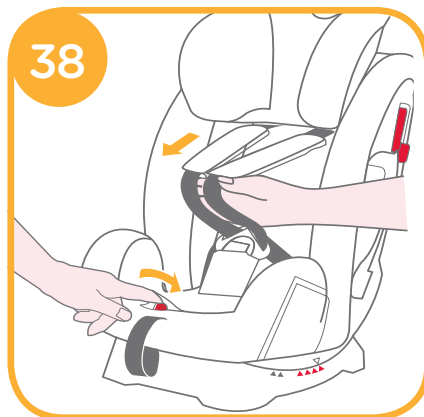


! Quando o bolso não for usado, por favor, guarde-o corretamente.

ii. Protegendo o seu Filho na Cadeirainha

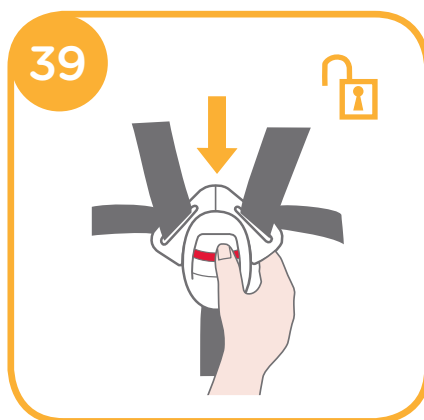
! Ao instalar a cadeirinha infantil no modo criança, não use o encaixe infantil.

1. Enquanto pressiona o botão de ajuste do cinto, retire completamente os dois cintos dos ombros da cadeirinha infantil. 38



2. Pressione o botão vermelho para soltar a fivela. 39

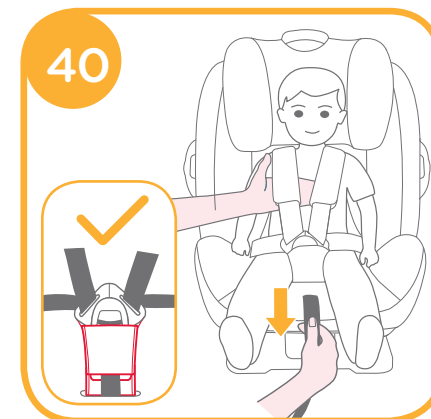
3. Coloque a criança na cadeirinha infantil e engate a fivela.



4. Puxe a rede de ajuste e a ajuste no comprimento apropriado de forma que seu filho esteja apropriadamente preso. 40

! Depois que a criança estiver sentada, verifique novamente se o cinto de ombro está na altura correta.

! Certifique-se de que o espaço entre a criança e a faixa de ombro é de aproximadamente a espessura de uma mão.



Modo Júnior

(Modo de Frente/para Criança entre 15 e 36 kg / 3 e 12 anos)

ver imagens 41 - 46

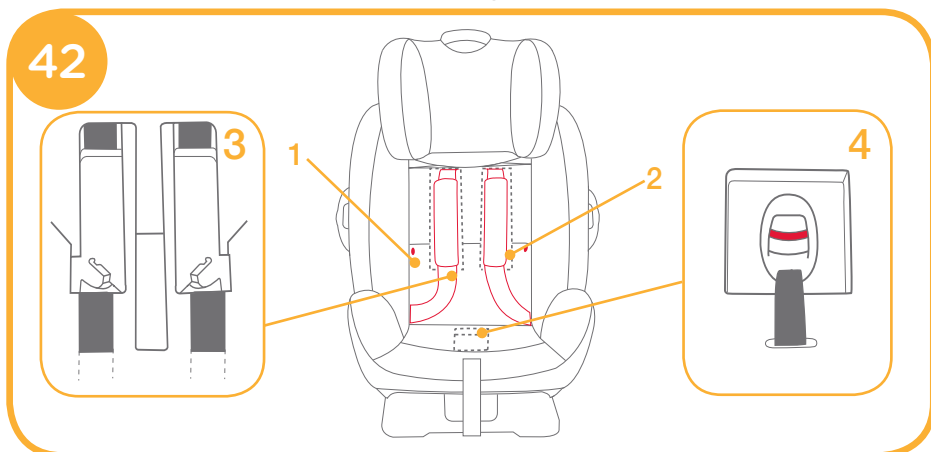
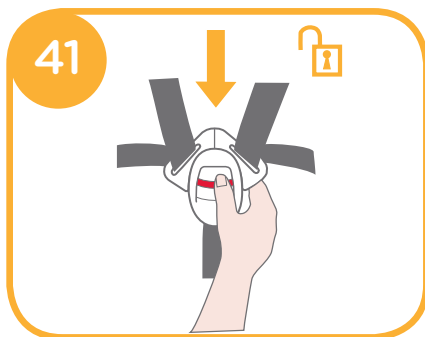
i. Instalação para Modo Júnior

! Use apenas o cinto de segurança quando instalar a cadeirinha infantil no modo júnior, não use o encaixe infantil ou o cinto de 5 pontos, por favor, guarde os cintos de ombro, afivele as linguetas da fivela nos respectivos compartimentos de armazenamento.

! Por favor, ajuste os cintos de ombro no comprimento adequado antes de armazenar as faixas de ombro e afivele em seus compartimentos de armazenamento.

! Por favor, ajuste a cadeirinha infantil no ângulo apropriado (4 posições para modo júnior). Indicação do ângulo: Com o triângulo superior e triângulo vermelho alinhados. ! Ao instalar e ajustar os cintos de segurança, certifique-se de que o cinto de ombro e o cinto de abdômen não estejam torcidos e não irão impedir que os cintos de segurança sejam apropriadamente posicionados.

1. Pressione o botão vermelho para soltar a fivela. 41
 2. Remova o encaixe infantil e o cinto entre-pernas.
- ! Ao instalar a cadeirinha infantil no modo Júnior, não use o encaixe infantil.



3. Desanexe os encaixes. 42 -1
4. Levante a aba superior para cima e puxe a aba inferior para frente e depois armazene os cintos de ombros e fivela em seus compartimentos de armazenamento. 42 -2 42 -3
5. Puxe a fivela para trás da almofada do assento e depois armazene a fivela e as linguetas da fivela nos respectivos compartimentos de armazenamento. 42 -4
6. Recoloque os encaixes para recuperar a almofada do assento. A almofada do assento remontada é mostrada como 43



ii. Protegendo o seu Filho na Cadeirinha

a. Para instalação com cinto de 3 pontos

1. Coloque a criança na cadeirinha infantil, verifique se o cinto de ombro está na altura correta.
2. Posicione o cinto de ombros através da guia do cinto de ombros, passe o cinto de abdômen pelos guias de cinto. Aperte a fivela e puxe o cinto de segurança do veículo para apertar. 44

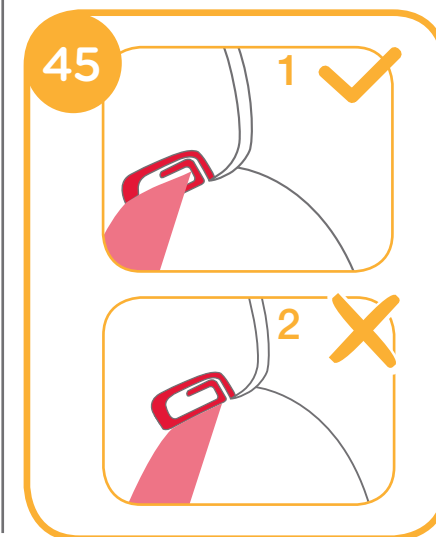
! O cinto de ombro deve passar através do guia do cinto de ombro. 45 -1

! O cinto de abdômen deve passar pelos guias de cinto.

! O cinto do veículo deve atravessar pelo cinto de coxas e, em seguida, anexar os fixadores de laço e gancho sobre ele. 44 -2

! O sistema de cadeirinha infantil não pode ser usado se a fivela do cinto de segurança do veículo (final fêmea da fivela) for muito longa para ancorar o sistema de retenção para crianças com segurança. 44 -1

! Nunca use um cinto só de abdômen do veículo na frente da criança.

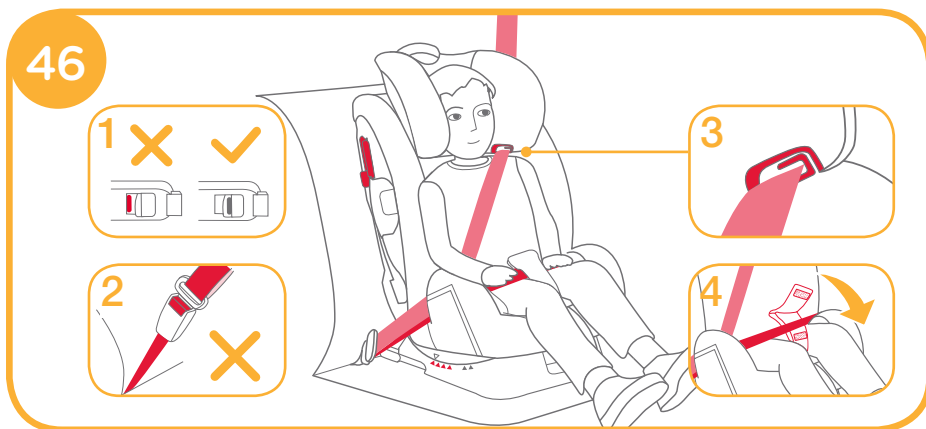


! Não use o cinto de ombro solto ou posicionado sob o braço.

! Não use o cinto de ombro por trás das costas da criança.

! Não deixe que a criança deslize na cadeirinha no caso de estrangulamento.

Para instalação com cinto de 3 pontos e sistema ISOFIX

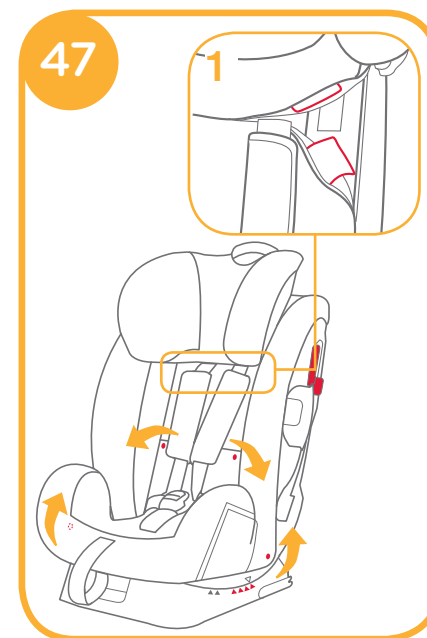


1. Instalação com sistema ISOFIX é mostrada como 26 - 30
 2. Coloque a criança na cadeirinha infantil, verifique se o cinto de ombro está na altura correta.
 3. Instalação com cinto de 3 pontos é mostrada como 44 - 45
 4. Cinto de 3 pontos e sistema ISOFIX corretamente montados mostrados como 46
- ! Certifique-se de que ambos os conectores ISOFIX estão firmemente conectados aos seus pontos de fixação ISOFIX. As cores dos indicadores em ambos os conectores ISOFIX devem ser completamente verdes. 46 -1
 - ! Verifique se a cadeirinha está firmemente instalada, puxando ambos os conectores ISOFIX.
 - ! O cinto de ombro deve passar através do guia do cinto de ombro. 46 -3
 - ! O cinto do veículo deve atravessar pelo cinto de coxas e, em seguida, anexar os fixadores de laço e gancho sobre ele. 46 -4
 - ! O cinto de abdômen deve passar pelos guias de cinto.
 - ! O sistema de cadeirinha infantil não pode ser usado se a fivela do cinto de segurança do veículo (final fêmea da fivela) for muito longa para ancorar o sistema de retenção para crianças com segurança. 46 -2
 - ! Nunca use um cinto só de abdômen do veículo na frente da criança,
 - ! Não use o cinto de ombro solto ou posicionado sob o braço.
 - ! Não use o cinto de ombro por trás das costas da criança.
 - ! Não deixe que a criança deslize na cadeirinha no caso de estrangulamento.

Separar as partes macias

ver imagens 47

1. Pressione o botão vermelho para soltar a fivela.
 2. Remova o encaixe infantil e o cinto entre-pernas.
 3. Solte o elástico no suporte de cabeça e, em seguida, retire o apoio de cabeça. 47 -1
 4. Solte o encaixe sobre a almofada do assento, puxe a fivela na parte de trás da almofada do assento, e, em seguida, remova a almofada do assento. 47
- ! Para montar as partes macias, inverta os passos acima.



Manutenção

Nota

- ! Depois de remover a espuma do encaixe infantil, por favor, guarde-a em algum lugar que as crianças não possam acessá-la.
- ! Lave as partes macias com água fresca abaixo de 30°C.
- ! Não passe as partes macias.
- ! Não aplique água sanitária ou lavagem a seco nas partes macias.
- ! Não use detergente neutro não diluído, gasolina ou outros solventes orgânicos para lavar a cadeirinha. Pode danificar a cadeirinha infantil.
- ! Não torça as partes macias com muita força para secar. Isto pode deixar as partes macias com rugas.
- ! Pendure as partes macias para secar na sombra.
- ! Retire a cadeirinha infantil do veículo se ela não for utilizada por um longo período de tempo. Coloque a cadeirinha infantil na sombra e em algum lugar onde seu filho não consiga acessá-la.



NL Gefeliciteerd

U hebt een volledig gecertificeerd kinderzitje voor kindveiligheid van hoge kwaliteit aangeschaft. Dit product is geschikt voor gebruik bij kinderen die MINDER wegen dan 36kg (ongeveer 12 jaar oud of jonger).

Lees deze instructiehandleiding zorgvuldig door en volg de installatiestappen want dit is de ENIGE manier om uw kind te beschermen tegen ernstig letsel of overlijden in geval van een ongeluk, en om uw kind comfort te geven bij het gebruik van dit product.

Bewaar deze instructiehandleiding voor raadpleging in de toekomst.

Gaarne te bevestigen

Controleer of uw voertuig is uitgerust met een veiligheidsriem met 3 punten. Veiligheidsgordels kunnen variëren qua ontwerp en lengte afhankelijk van de fabrikant, de productiedatum en het type voertuig. Dit kinderzitje is geschikt voor gebruik in de vermelde voertuigen met veiligheidsriemen met 3 punten en is goedgekeurd volgens UN ECE Nr. 16 of andere vergelijkbare normen. Dit kinderzitje is goedgekeurd volgens UN ECE-richtlijn 44, reeks amendementen 04.

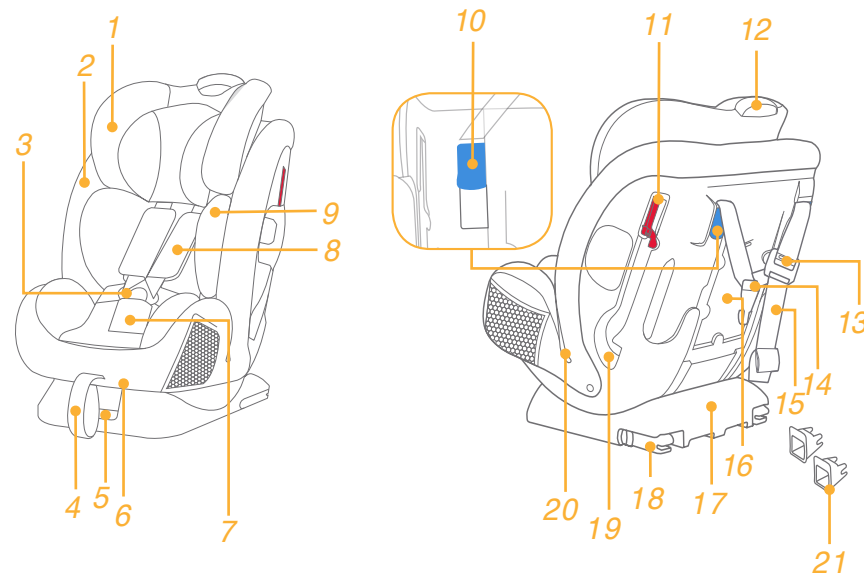
Bewaar de instructiehandleiding in het opbergvak van de achterklep voor raadpleging in de toekomst.

Onderdelenlijst

Zorg dat alle onderdelen voor het opslaan droog zijn. Als er items ontbreken of beschadigd zijn, kunt u contact opnemen met uw leverancier. Voor de montage is geen gereedschap nodig.

- | | | | |
|----|--------------------------|----|------------------------------------|
| 1 | Hoofdsteun | 12 | Instelhendel voor hoofdsteun |
| 2 | Zitkussen | 13 | Koordinsteller |
| 3 | Gesp | 14 | Koordhaak |
| 4 | Gordelinsteller | 15 | Bovenste koord |
| 5 | ISOFIX-ontgrendelknop | 16 | Opslagvak
instructiehandleiding |
| 6 | Instelhendel schuinstand | 17 | Voetstuk |
| 7 | Kruisriem | 18 | ISOFIX-aansluiting |
| 8 | Schouderriem | 19 | Rugsleuf stoelriem |
| 9 | Baby-inzetstuk | 20 | Geleider heupgordel |
| 10 | Ontgrendeling | 21 | ISOFIX-geleiders |
| 11 | Ontgrendelapparaat | | |

Zachte artikelen zijn het stoelkussen, het kruiskussen, de hoofdsteun en het baby-inzetstuk. Controleer op ontbrekende onderdelen. Neem contact op met de verkoper als iets ontbreekt.



WAARSCHUWING

- ! GEEN ENKEL kinderzitje biedt volledige bescherming tegen letsel bij een ongeluk. Maar het juiste gebruik van het kinderzitje verlaagt het risico op ernstig letsel of de dood.
- ! Dit kinderzitje is ALLEEN ontworpen voor kinderen die niet zwaarder wegen dan 36 kg (ongeveer 12 jaar oud of jonger).
- ! Gebruik de vooruitkijkende stand NIET voordat het kind meer dan 9 kg weegt.
- ! Alle riemen waarmee het kinderzitje aan het voertuig is bevestigd, moeten strak zitten, riemen die het kind vasthouden, moeten zijn afgesteld op het lichaam van het kind, en de riemen mogen niet verdraaid zijn.
- ! Gebruik of installeer dit kinderzitje NIET voordat u de instructies in deze handleiding en in de handleiding van uw voertuig hebt gelezen en begrepen.
- ! Houd rekening met het gevaar van het aanbrengen van veranderingen of aanvullingen aan het apparaat zonder goedkeuring van de goedkeuringsinstantie, en het gevaar van het niet nauwkeurig volgen van de aanwijzingen als geleverd door de fabrikant van het kinderzitje.
- ! Breng GEEN veranderingen aan dit kinderzitje aan en gebruik het niet in combinatie met onderdelen van andere fabrikanten.
- ! Gebruik dit kinderzitje NIET als het beschadigd is of als onderdelen ontbreken.
- ! Laat uw kind NIET in los omgeslagen kleding in dit kinderzitje zitten in de baby- of peuterstand, omdat uw kind hierdoor niet goed en stevig wordt vastgehouden door de schouderriemen en de riemen tussen de dijen.
- ! Als u dit kinderzitje in de baby- of peuterstand gebruikt, moet u de veiligheidsriem correct gebruiken en ervoor zorgen dat elke middelriem laag wordt gedragen zodat het bekken goed vastzit.
- ! Laat deze kinderstoel NIET los of niet goed bevestigd in de auto staan omdat een niet goed vastgezet kinderzitje rondgeslingerd kan worden en de inzittenden kan verwonden bij een scherpe bocht, plotseling remmen of een botsing. Verwijder het als het niet regelmatig gebruikt wordt.
- ! Laat het kind niet zonder toezicht achter in het kinderzitje.
- ! Zet het kinderzitje NIET rechtop als een actieve airbag voorin is

geïnstalleerd terwijl uw kind nog achteruit kijkend zit.

- ! Gebruik NOOIT een tweedehands kinderzitje of een kinderzitje waarvan u de afkomst niet kent, omdat deze structurele schade kan bevatten die de veiligheid van uw kind in gevaar brengt.
- ! Houd dit kinderzitje uit de buurt van zonlicht,, anders kan het te heet worden voor de huid van uw kind.
- ! Gebruik NOOIT touwen of andere vervangingsmiddelen voor stoelriemen in geval van letsel door het kinderzitje.
- ! Gebruik dit kinderzitje NIET als normale stoel, omdat het kan omvallen en het kind verwonden.
- ! Gebruik het kinderzitje niet zonder de zachte onderdelen.
- ! Vervang de zachte onderdelen alleen door de onderdelen die door de fabrikant worden aanbevolen omdat de zachte onderdelen een integraal onderdeel vormen van de werking van het kinderzitje.
- ! Plaats ALLEEN de aanbevolen binnenkussens in dit kinderzitje.
- ! Draag dit kinderzitje NIET als er een kind in zit.
- ! Bagage en andere voorwerpen die in geval van botsing letsel kunnen veroorzaken, moeten goed zijn vastgezet.
- ! Voorkom dat de riemen of gespen van het kinderzitje verstrikt raken in de autostoel of deur.
- ! Het apparaat moet worden vervangen als het onderworpen is aan zware spanningen bij een ongeluk.
- ! Verwijder dit kinderzitje van de autostoel als het gedurende langere tijd niet gebruikt wordt.
- ! Om verstikking te voorkomen, moet u de plastic zak en verpakkingsmaterialen verwijderen voordat u de stoel gebruikt. Houd de plastic zak en verpakkingsmaterialen buiten bereik van baby's en kinderen.
- ! Neem contact op met de distributeur over onderhoud, reparaties en vervangen van onderdelen.
- ! Gebruik GEEN andere belaste contactpunten dan die worden omschreven in de instructies en die worden gemarkeerd in het kinderzitje.
- ! Controleer de ISOFIX-geleiders regelmatig op vuil en maak ze zo nodig schoon. De betrouwbaarheid loopt terug door het binnendringen van vuil, stof, voedselresten, enz.
- ! Installeer dit kinderzitje NIET onder de volgende omstandigheden:
 1. Autostoelen met veiligheidsgordels met 2 punten.

2. Autostoelen die opzij of naar achteren kijken ten opzichte van de rijrichting van de auto.
3. Autostoelen kunnen tijdens de installatie bewegen.

3. Stoelposities in andere auto's kunnen eveneens geschikt zijn voor dit kinderzitje. Neem in geval van twijfel contact op met de fabrikant of de verkoper van het kinderzitje.
4. De ISOFIX-grootteklasse waarvoor dit apparaat is bedoeld, is B1.

Noodgeval

Bij een noodsituatie of een ongeluk is het heel belangrijk om uw kind direct te laten verzorgen met eerste hulp en medische behandeling.

Productinformatie

Voor installatie met driepuntsgordel of met ISOFIX-systeem en bovenkoord

1. Dit is een 'Universeel' kinderzitje. Het is goedgekeurd volgens UN ECE-regelgeving 44, 04-serie van amendementen, voor algemeen gebruik in voertuigen, en het past op de meeste, maar niet alle, autostoelen.
2. Een juiste pasvorm is waarschijnlijk als de autofabrikant heeft gesteld in het autohandboek dat de auto een 'universeel' kinderzitje voor deze leeftijdsgroep kan accepteren.
3. Dit kinderzitje is geclassificeerd als 'universeel' onder strengere omstandigheden dan die van toepassing waren op eerdere ontwerpen die deze mededeling niet dragen.
4. Neem in geval van twijfel contact op met de fabrikant of de verkoper van het kinderzitje.

Voor installatie met het ISOFIX-systeem en het bovenkoord

1. Este é um sistema de retenção infantil ISOFIX. Het is goedgekeurd volgens verordening 44, reeks amendementen 04, voor algemeen gebruik in auto's uitgerust met ISOFIX-verankeringsystemen. Het is geschikt voor montage in de stoelen van de meeste auto's.
2. Het is geschikt voor voertuigen met posities die zijn goedgekeurd als ISOFIX-posities (zoals beschreven in het handboek van het voertuig), afhankelijk van de categorie van het kinderzitje en van de bevestiging.

Voor installatie met ISOFIT-systeem en driepuntsgordel

1. O sistema de retenção para crianças é classificado para uso "semi-universal".
2. Posições de assento em outros carros também podem ser adequados para aceitar o sistema de retenção para crianças. Em caso de dúvida, consulte o fabricante do sistema de retenção para crianças ou o fabricante do veículo.

Product	Kinderzitje
Model	C1602
Geschikt voor	Voor kinderen met een gewicht van 0 -36 kg (ongeveer 0 - 12 jaar)
Massagroep	0+/1/2/3
Materialen	Kunststoffen, metaal, geweven stoffen
Patentnr	Patenten aangevraagd

De installatiemodus kiezen

Gewicht kind	Installatiestand	Afbeelding voor installatie	Referentieleeftijd	Stoelpositie	Instructies voor plaatsen kind
<18kg	Babystand		<4 jaar	Stand 5-6 	Het baby-inzetstuk moet worden gebruikt van 0 tot 9 maanden om het kind goed vast te zetten
9-18kg	Peuterstand		1 tot 4 jaar	Stand 1-4 	Gebruik niet het inzetstuk voor een klein kind als u het kinderzitje in de peuterstand installeert.
15-36kg	Juniorstand		3 jaar tot 12 jaar	Stand 1-4 	Gebruik niet het inzetstuk voor een klein kind als u het kinderzitje in de juniorstand installeert.

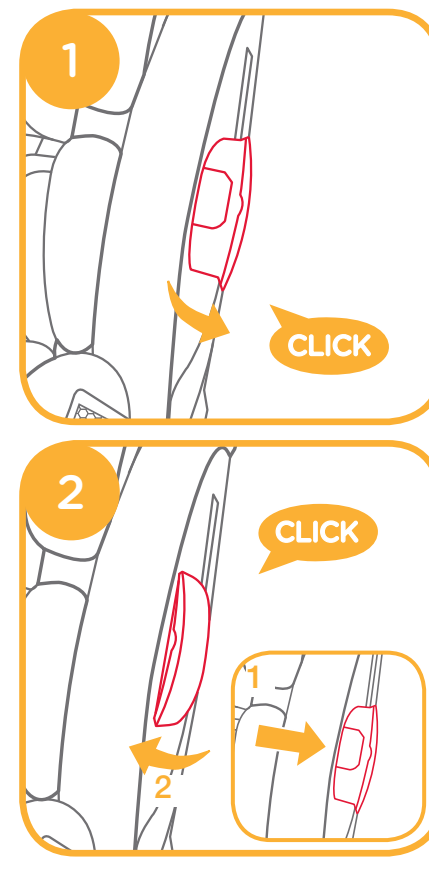
Belangrijk

1. Gebruik de vooruitkijkende stand NIET voordat het kind meer dan 9 kg weegt.
2. Wanneer het kind geschikt is voor zowel de peuter- als de babystand, wordt het aanbevolen om dit kinderzitje te installeren in de babystand omdat dit relatief gezien veiliger is.

Gebruik de afscherming voor inslag opzij

zie afbeeldingen 1 - 2

- ! Abra a proteção contra impactos para proteger a criança de forma mais segura. A proteção contra impacto lateral em frente à porta de veículo pode ser fechada para permitir mais espaço de estar.



Instelling schuine stand

zie afbeeldingen 3 - 4

Druk op de hendel voor de instelling van de schuine stand en plaats het kinderzitje in de juiste stand. 3

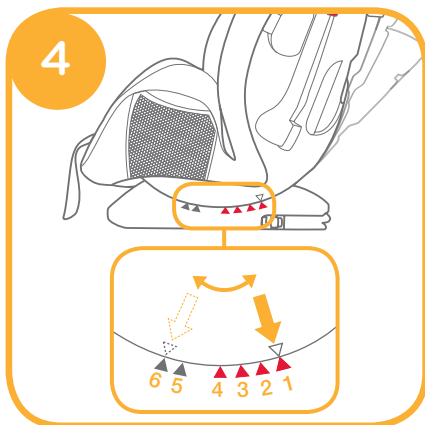
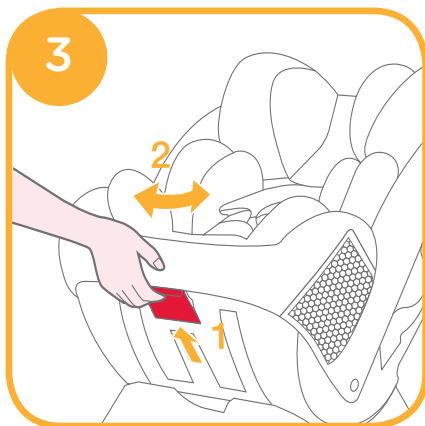
De hoeken van de stand zijn afgebeeld in afb. 4

Er zijn twee schuine standen 5-6 voor de juniorstand. Deze zijn met blauwe driehoeken gemarkeerd.

Er zijn vier schuine standen 1-4 voor de peuterstand. Deze zijn met rode driehoeken gemarkeerd.

Hoekindicatie: met driehoeken boven en onder uitgelijnd.

! Zorg ervoor dat de stoelriem wordt strakgetrokken bij afstellen in schuine stand en omgekeerd als de stoel al goed was aangejord.



Hoogte-afstelling voor hoofdsteun en schouderriemen

zie afbeeldingen 5 - 6

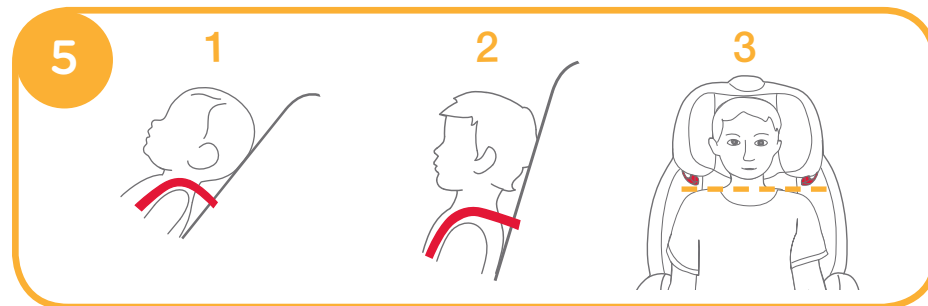
Stel de hoofdsteun en de schouderriemen af op de juiste hoogte overeenkomstig de lengte van het kind.

! Bij gebruik in de babystand moet de hoogte voor de schouderriemen gelijklopen met de schouders van het kind. 5-1

! Bij gebruik in de peuterstand moet de hoogte voor de schouderriemen gelijklopen met de schouders van het kind. 5-2

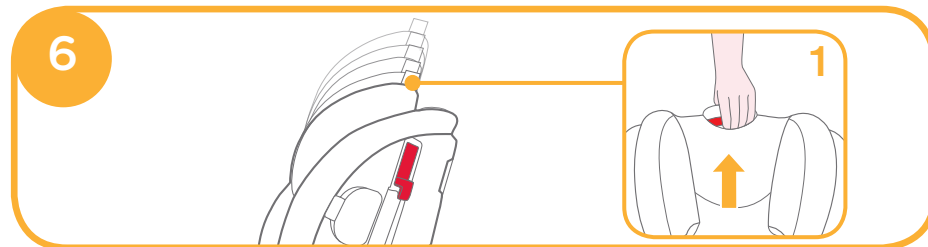
! Bij gebruik in de juniorstand moet de hoogte voor de schouderriemen gelijklopen met de schouders van het kind. 5-3

Als de schouderriemen geen juiste hoogte hebben, kan het kind uit het kinderzitje worden geworpen bij een ongeluk.



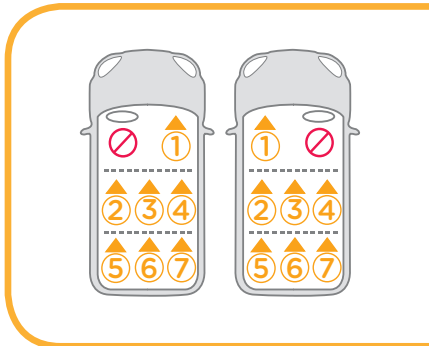
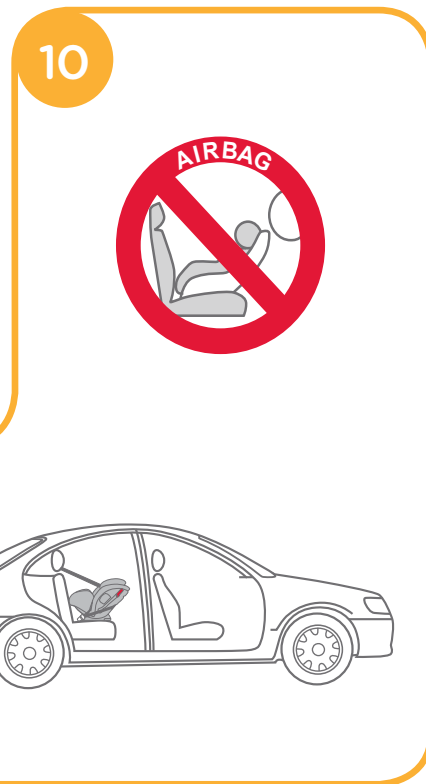
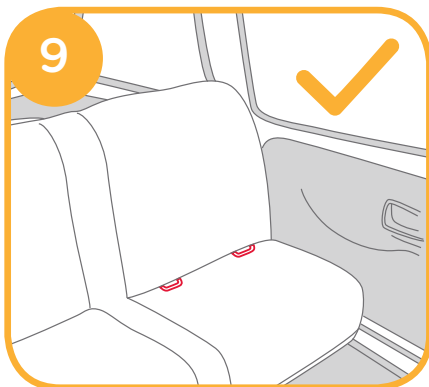
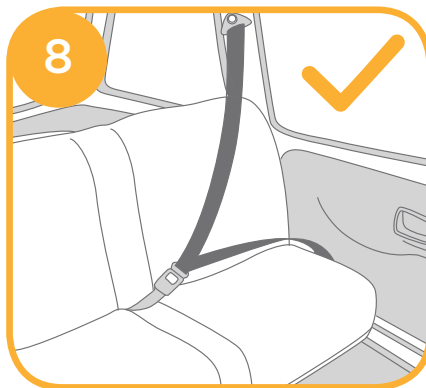
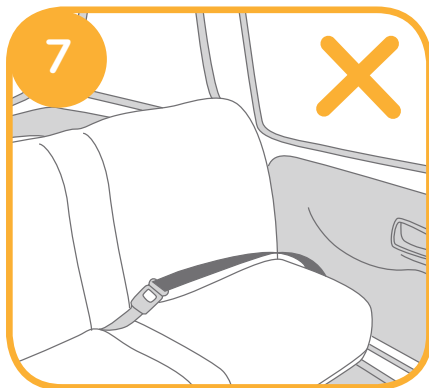
Knijp in de hendel voor de afstelling van de hoofdsteun en trek tegelijkertijd de hoofdsteun op of druk het omlaag tot het in een van de 10 standen klikt. De standen van de hoofdsteun zijn afgebeeld in afb. 6

! De zijvleugels kunnen openen als de hoofdsteun is ingesteld in de 6th stand.



Installatiekwesities

zie afbeeldingen 7 - 10



Babystand

(Achteruitkijkende stand/voor kind onder 18 kg/
pasgeborene - 4 jaar oud)

zie afbeeldingen 11 - 20

! Installeer het kinderzitje op de autostoel en plaats het kind vervolgens in het kinderzitje.

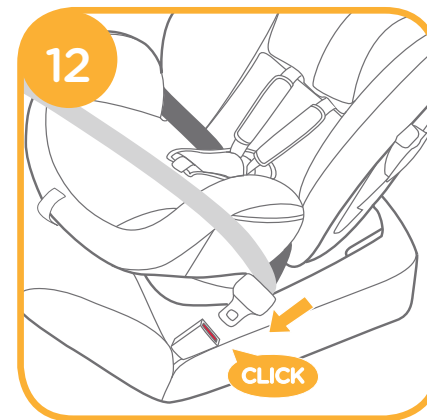
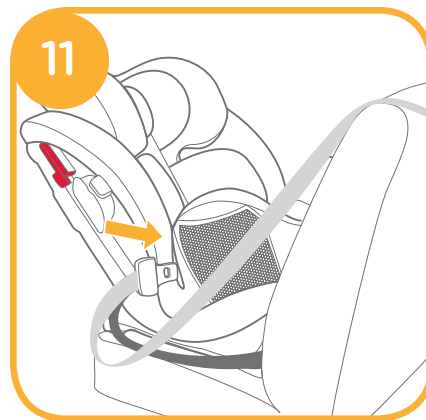
i. Installatie voor babystand

! Plaats de kinderstoel onder de juiste hoek (2 standen voor de juniorstand).
Hoekindicatie: met bovenste driehoek en blauwe driehoek in lijn.

! Zorg ervoor dat de schouderriem op de juiste hoogte is afgesteld voordat u dit kinderzitje installeert.

! Zorg er bij het installeren en afstellen van de veiligheidsriemen voor dat zowel de schouderriem als de middelriem niet gedraaid zijn en de veilige werking van de veiligheidsriemen niet hinderen.

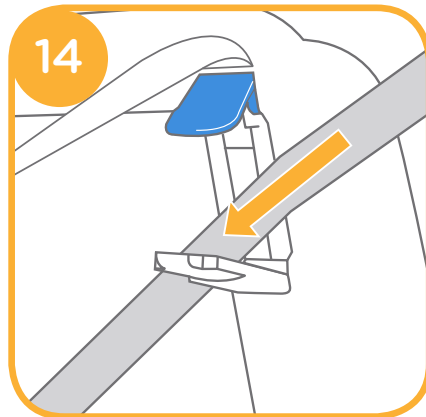
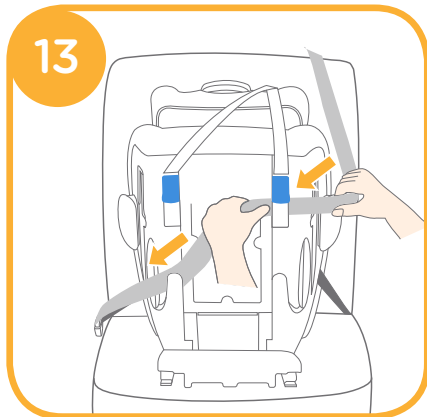
1. Steek de middelriem over de stoelsleuven en druk daarna de tong van de autogesp in de gesp. 11 12



2. Maak de schouderriemen vast in de twee schouderriemsleuven aan de achterkant van het lichaam. **13**

! De schouderriem moet door vergrendeling **14**.

! Zorg ervoor dat de kap over de vergrendeling geheel gesloten is als deze niet in gebruik is om letsel, of schade aan de bekleding, te voorkomen.



3. Terwijl u op het kinderzitje drukt, trekt u aan de riemen om het kinderzitje stevig vast te zetten. **15**

! Het kinderzitje kan niet worden gebruikt als de gesp van de veiligheidsriem (vrouwelijke gespkant) te lang is om het kinderzitje veilig vast te zetten.

! Controleer door de kinderstoel naar voren en naar achteren te bewegen.

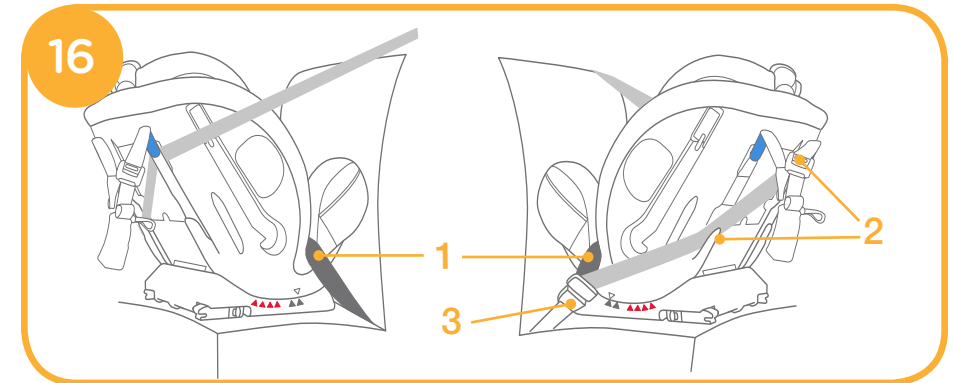


Een goed gemonteerd autoriem is afgebeeld in afb **16**

! De heupgordel gaat door de gordelgeleiding als in afb **16 -1**

! De schouderriem gaat door de schouderriemsleuven als in **16 -2**

! De tong van de gesp van de auto zit op de juiste manier in de gesp, als in **16 -3**



ii. Het kind vastzetten in het kinderzitje met het baby-inzetstuk

<p>We adviseren het gebruik van de volledige kinderinzetstuk zolang de baby kleiner is dan 60 cm of tot het te groot is voor het inzetstuk. Het kinderinzetstuk verbetert de bescherming tegen zijdelingse inslagen.</p>	<p>Maak de clips op de hoofdsteun los om het hoofddeel van het kinderinzetstuk te verwijderen.</p>	<p>Verwijder het hoofdsteundeel van het kinderinzetstuk als het hoofd van het kind niet langer comfortabel past.</p>
		<p>Verwijder het kinderinzetkussen door de klemmen los te maken zodat er meer ruimte ontstaat als het kind niet comfortabel kan zitten. U kunt het kussen apart gebruiken zonder het aan het inzetstuk te bevestigen om de rug van het kind te ondersteunen voor meer comfort.</p>

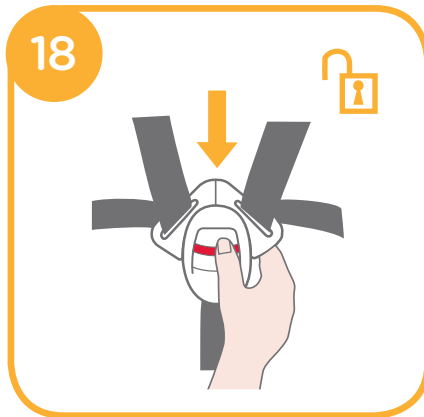
1. Houd de instelknop voor de riemen ingedrukt en trek aan de twee schouderriemen van het kinderzitje.

17



2. Druk op de rode knop om de gesp los te maken.

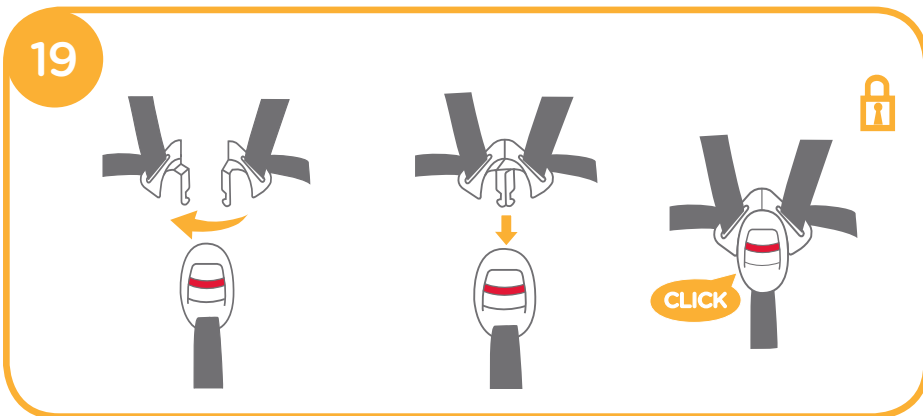
18



3. Zet het kind in het kinderzitje en steek beide armen door de riemen.

4. Maak de gesp vast.

19



5. Trek de rieminstelling omlaag en stel hem op de juiste lengte af om ervoor te zorgen dat je kind goed vast zit.

20



! Nadat het kind in het zitje is geplaatst, moet u controleren of de schouderriemen op de juiste hoogte zitten.

! Zorg er voor dat de ruimte tussen het kind en de schouderriemen ongeveer de dikte van een hand is.

Peuterstand

(Vooruitkijkende stand/voor kind tussen 9 en 18 kg/1 tot 4 jaar oud)

zie afbeeldingen 21 - 39

! Installeer de kinderstoel op de autostoel en plaats het kind vervolgens in het kinderzitje.

i. Installatie voor peuterstand

! Plaats de kinderstoel onder de juiste hoek (4 standen voor de peuterstand). Hoekindicatie: met bovenste driehoek en rode driehoek op één lijn.

! Stel de schouderriemen in op de juiste hoogte voordat u het kinderzitje installeert.

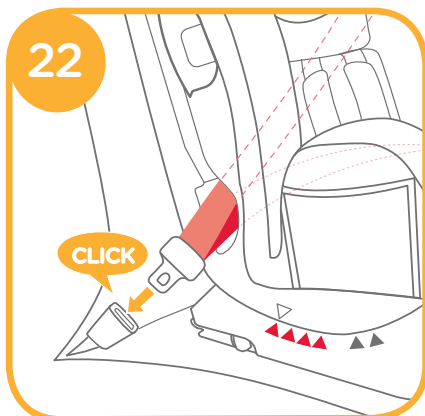
! Zorg er bij het installeren en afstellen van de veiligheidsriemen voor dat zowel de schouderriem als de middelriem niet gedraaid zijn en de veilige plaatsing van de veiligheidsriemen niet obstrueren.

a. Installatie met driepuntsgordel

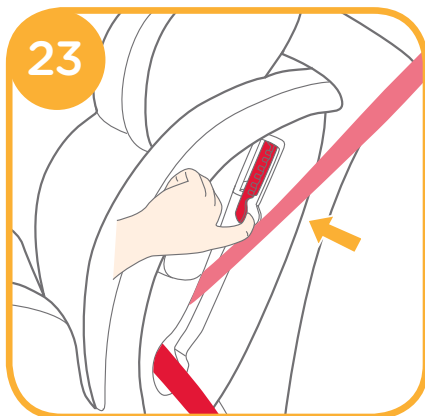
1. Steek de veiligheidsriem door de twee rugsleuven achterop het kinderzitje. 21



2. Gesp de veiligheidsriem vast. 22



3. Open het vergrendelapparaat en steek de veiligheidsgordel er doorheen. 23



4. Terwijl u op het kinderzitje drukt, trekt u aan de riemen om het kinderzitje stevig vast te zetten. 24

! Het kinderzitje kan niet worden gebruikt als de gesp van de veiligheidsriem (vrouwelijke gespkant) te lang is om het kinderzitje veilig vast te zetten. 24 -1



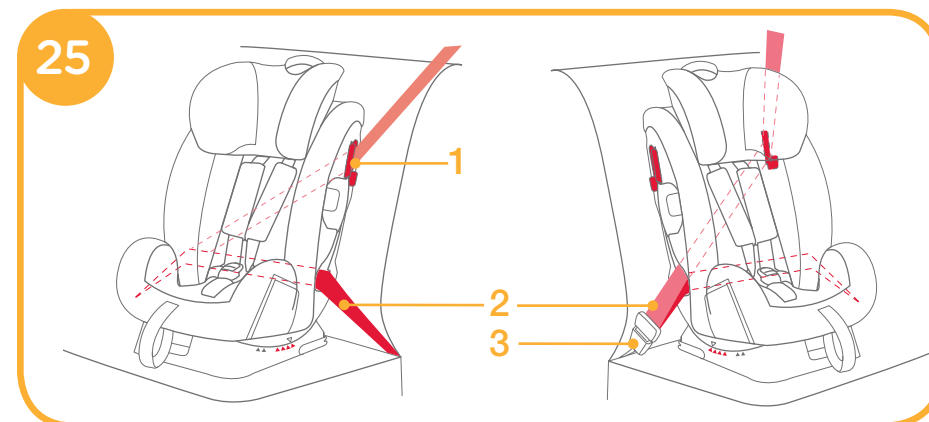
! Controleer door de kinderstoel naar voren en naar achteren te bewegen.

Een goed gemonteerde veiligheidsriem is afgebeeld in afb 25

! Schouderriem gaat door de vergrendeling, als in 25 -1

! De middelriem gaat door de stoelsleuven als in 25 -2

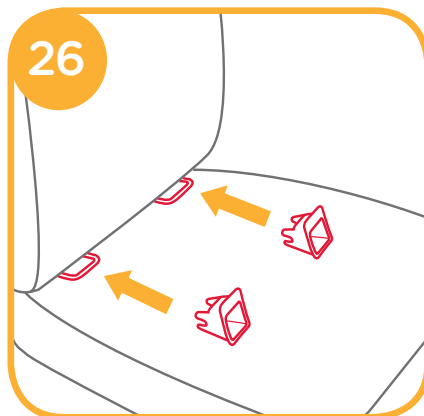
! De tong van de gesp van de auto zit op de juiste manier in de gesp, als in 25 -3



b. Voor installatie met het ISOFIX-systeem en het bovenkoord

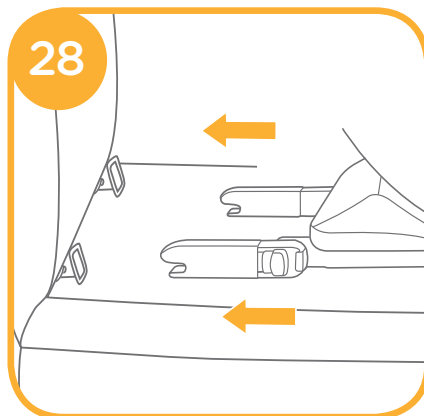
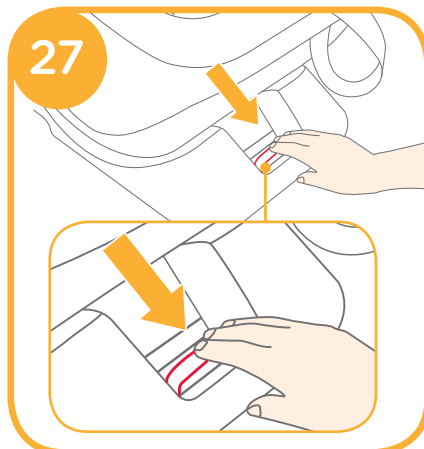
1. Voorzie de ISOFIX-geleiders van de ISOFIX-ankerpunten. De ISOFIX-geleiders voorkomen dat het oppervlak van de autostoel gescheurd wordt. Ze kunnen tevens de ISOFIX-aansluitingen geleiden.

26



2. Verleng de ISOFIX-aansluitingen door op de vrijgaveknop 27 te drukken terwijl u aan de aansluiting

28



! Controleer of beide ISOFIX-aansluitingen stevig vast zitten aan hun ISOFIX-ankerpunten. De kleur van de indicatoren op beide ISOFIX-connectoren moet volledig groen zijn. 29

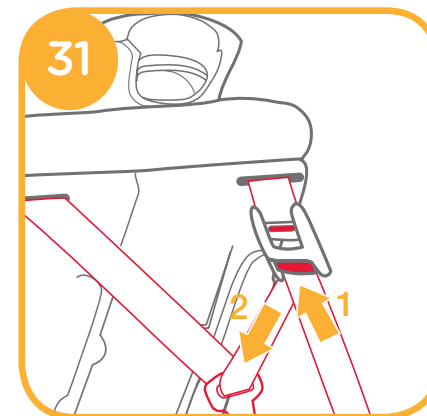
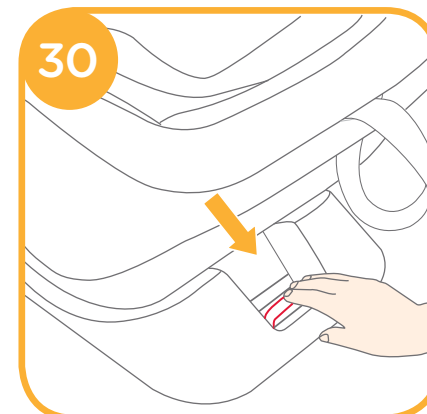
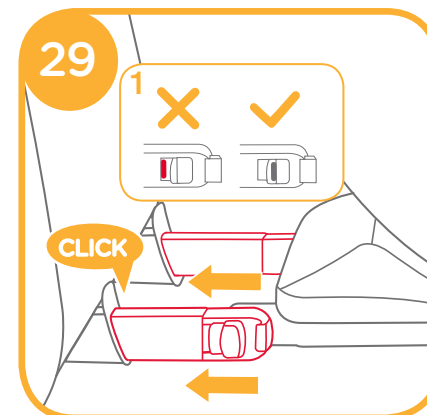
! De ISOFIX-aansluitingen moeten worden aangesloten en vergrendeld in de ISOFIX-ankerpunten.

! Controleer of het kinderzitje goed vast zit door aan beide ISOFIX-aansluitingen te trekken.

! Selecteer de gewenste hellingshoek voordat u het terugzet tegen de stoel, want nadat het bovenkoord is bevestigd en onder spanning gezet, kunt u de hellingshoek niet wijzigen zonder het bovenkoord aan te passen.

3. Druk op de ISOFIX-ontgrendelknop en druk het kinderzitje terug tegen de stoel tot hij strak zit. 30

4. Om het bovenkoord voor gebruik te verlengen, drukt u op de koordafsteller en trekt u om het koord langer te maken. 31



5. Maak de koordhaak stevig vast aan de verankering. **32**

! GEBRUIK het bovenkoord voor installatie in de kleuterstand als de auto is voorzien van een koordankeraansluiting en als is voldaan aan de voertuigeisen (zie de handleiding van de auto).

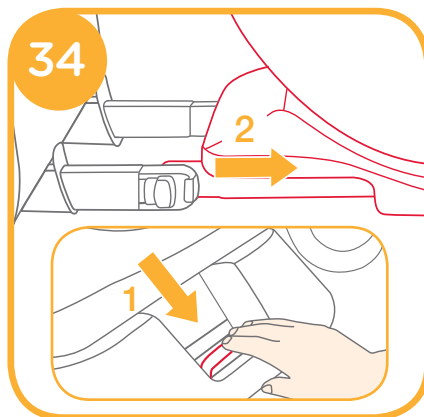
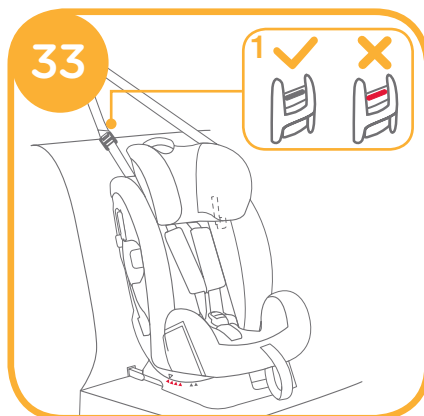
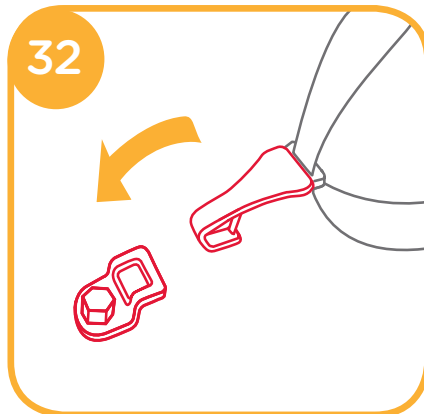
6. Een op de juiste wijze gemonteerd ISOFIX-systeem en bovenkoord is afgebeeld in afb. **33**

! Zorg er voor dat de haak stevig vast zit aan de verankering. De kleur van de indicatoren op de koordafsteller moet volledig groen zijn. **33 -1**

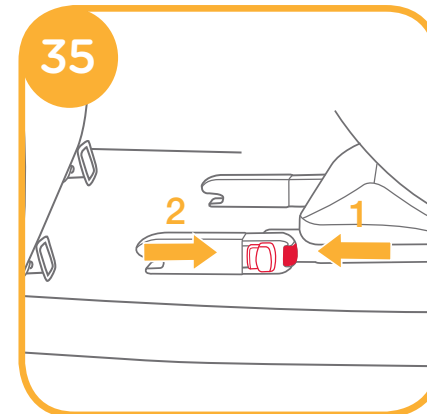
! Als de hellingshoek wordt aangepast, controleer dan de spanning op het bovenkoord of maak het los om de hoek aan te passen en span het opnieuw.

De voet verwijderen

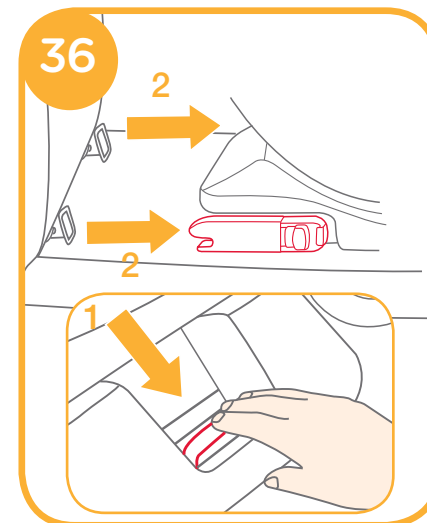
1. Druk om het stoeltje uit de auto te halen ISOFIX-instelknop **34 -1** in en trek de voet van de stoel. **34 -2**



2. Druk vervolgens op de connectoren van de ISOFIX in de auto en laat deze los. **35**

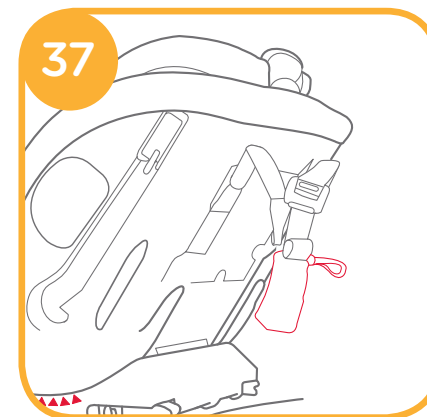


! De ISOFIX is volledig samengevouwen. **36**



! Als het bovenkoord niet in gebruik is, MOET het goed worden opgeborgen. Om ervoor te zorgen dat het bovenkoord goed is opgeborgen, moet u alle vrije ruimte in de riem weghalen om te voorkomen dat het bovenkoord rondslingert tijdens het rijden. **37**

! Berg de zak goed op als hij niet gebruikt wordt.

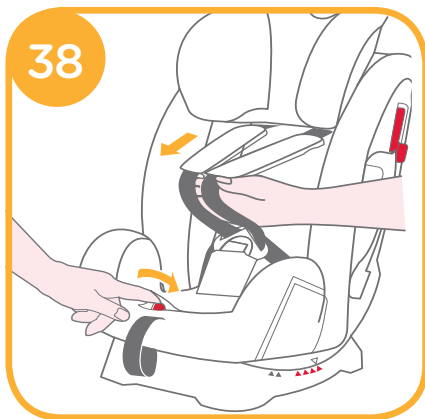


ii. Uw kind in het kinderzitje vastzetten

! Gebruik niet het inzetstuk voor een klein kind als u het kinderzitje in de peuterstand installeert.

1. Houd de instelknop voor de riemen ingedrukt en trek aan de twee schouderriemen van het kinderzitje.

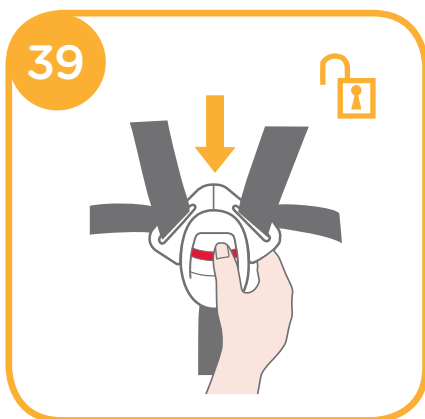
38



2. Druk op de rode knop om de gesp los te maken.

39

3. Zet het kind in het kinderzitje en maak de gesp vast.

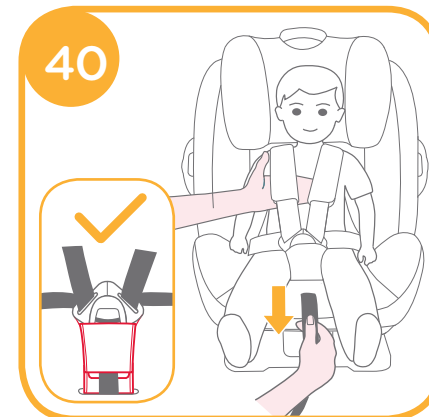


4. Trek de gordelinstelling omlaag en stel het op de juiste lengte af om ervoor te zorgen dat uw kind goed vast zit.

40

! Nadat het kind in het zitje is geplaatst, moet u controleren of de schouderriemen op de juiste hoogte zitten.

! Zorg er voor dat de ruimte tussen het kind en de schouderriemen ongeveer de dikte van een hand is.



Juniorstand

(Vooruitkijkende stand/voor kind tussen 15 en 36 kg/3 tot 12 jaar oud)

zie afbeeldingen 41 - 46

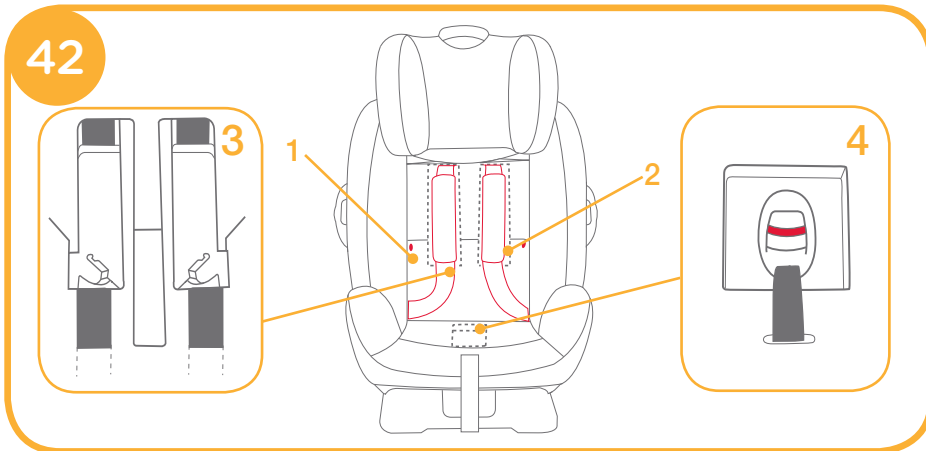
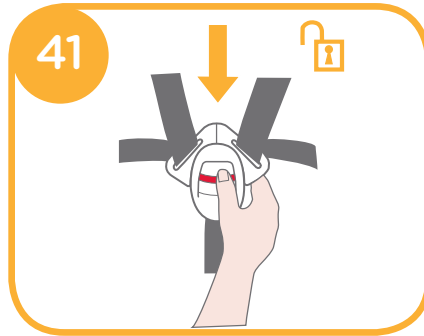
i. Installatie voor juniorstand

! Gebruik alleen de autoriem bij installatie van het kinderzitje in de juniorstand, gebruik niet het baby-inzetstuk of de vijfpunts gordels, berg de schouderriemen, gesp en gesptongen op in de betreffende opbergvakken.

! Pas de schouderriemen aan op de juiste lengte voordat u de schouderriemen en gesp opbergt.

! Plaats het kinderzitje onder de juiste hoek (4 standen voor de juniorstand). Hoekindicatie: met bovenste driehoek en rode driehoek op één lijn. ! Zorg er bij het installeren en afstellen van de veiligheidsriemen voor dat zowel de schouderriem als de middelriem niet gedraaid zijn en de veilige plaatsing van de veiligheidsriemen niet obstrueren.

1. Druk op de rode knop om de gesp los te maken. **41**
 2. Verwijder het baby-inzetstuk en het kruiskussen.
- ! Gebruik niet het babyinzetstuk als u het kinderzitje in de juniorstand installeert.



3. Maak de klemmen los. **42 -1**
4. Til de bovenste klep omhoog en trek de onderste klep naar voren. Berg dan de schouderriemen en gesp op in het opbergvak. **42 -2 42 -3**
5. Trek de gesp naar de rug van het zitkussen en berg de gesp en gespontgen in de betreffende opbergvakken op. **42 -4**
6. Maak de klemmen weer vast om het kussen terug te leggen. Het gemonteerde zitkussen is afgebeeld in **43**

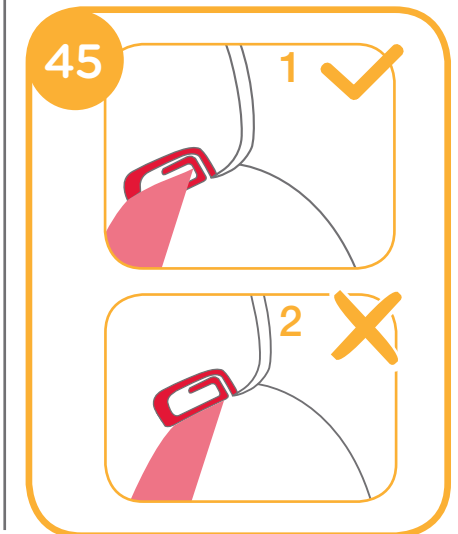


ii. Uw kind in het kinderzitje vastzetten

a. Voor installatie met driepuntsgordel

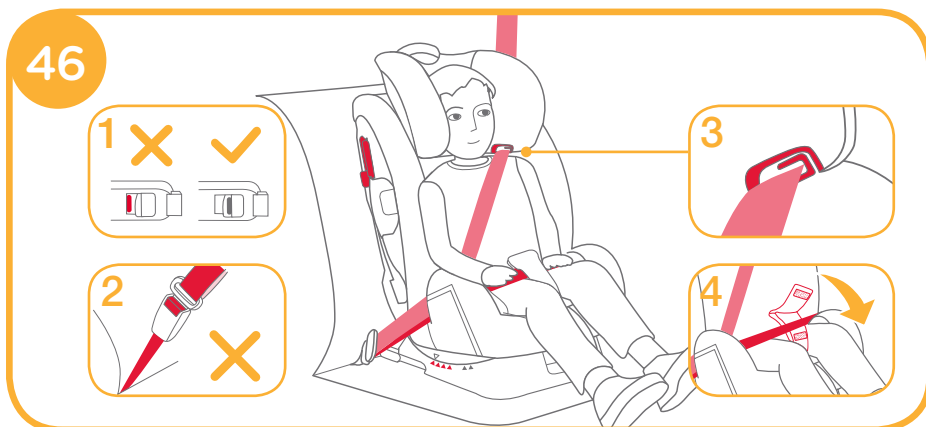
1. Laat het kind in het kinderzitje zitten en controleer of de schouderriemen op de juiste hoogte zitten.
2. Steek de schouderriem door de schouderriemgeleider, steek de middelriem door de heupgordelgeleiders. Maak de gesp vast en trek de autoriem aan. **44**

- ! De schouderriem moet door de schouderriemgeleider gaan. **45 -1**
- ! De middelriem moet door de heupgordelsleuven gaan.
- ! De gordelriem van het voertuig moet door het midden van de kruisriemkap gaan en vervolgens de lus- en haakbevestiging er overheen vastmaken. **44 -2**
- ! Het kinderzitje kan niet worden gebruikt als de gesp van de veiligheidsriem (vrouwelijke gespkant) te lang is om het kinderzitje veilig vast te zetten. **44 -1**
- ! Gebruik nooit een middelriem van de auto over het kind.



- ! Gebruik de schouderriem niet los of onder de arm.
- ! Gebruik de schouderriem niet achter de rug van het kind.
- ! Laat het kind niet omlaag glijden in het kinderzitje vanwege de kans op wurgen.

Voor installatie met ISOFIX-systeem en driepuntsgordel

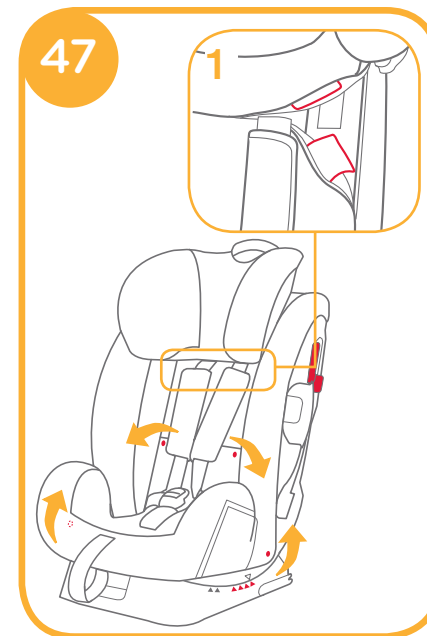


1. De installatie met het ISOFIX-systeem is afgebeeld in afb. 26 - 30
 2. Laat het kind in het kinderzitje zitten en controleer of de schouderriemen op de juiste hoogte zitten.
 3. De installatie met de driepuntsgordel is afgebeeld in afb. 44 - 45
 4. Een correct gemonteerd driepuntsgordel- en ISOFIX-systeem is afgebeeld in afb. 46
- ! Controleer of beide ISOFIX-aansluitingen stevig vast zitten aan hun ISOFIX-ankerpunten. De kleur van de indicatoren op beide ISOFIX-connectoren moet volledig groen zijn. 46 -1
 - ! Controleer of het kinderzitje goed vast zit door aan beide ISOFIX-aansluitingen te trekken.
 - ! De schouderriem moet door de schouderriemgeleider gaan. 46 -3
 - ! De gordelriem van het voertuig moet door het midden van de kruisriemkap gaan en vervolgens de lus- en haakbevestiging er overheen vastmaken. 46 -4
 - ! De middelriem moet door de heupgordelsleuven gaan.
 - ! Het kinderzitje kan niet worden gebruikt als de gesp van de veiligheidsriem (vrouwelijke gesp) te lang is om het kinderzitje veilig vast te zetten. 46 -2
 - ! Gebruik nooit een middelriem van de auto over het kind.
 - ! Gebruik de schouderriem niet los of onder de arm.
 - ! Gebruik de schouderriem niet achter de rug van het kind.
 - ! Laat het kind niet omlaag glijden in het kinderzitje vanwege de kans op wurg.

Zachte voorwerpen losmaken

zie afbeeldingen 47

1. Druk op de rode knop om de gesp los te maken.
 2. Verwijder het babyinzetstuk en de kruisriem.
 3. Verwijder het elastiek van de hoofdsteun en verwijder vervolgens de hoofdsteun. 47 -1
 4. Verwijder de klemmen van het zitkussen, trek de gesp naar de achterkant van het zitkussen, en verwijder het zitkussen. 47
- ! Ga in omgekeerde volgorde te werk om de zachte artikelen te monteren.



Onderhoud

- ! Nadat u het schuim uit het inzetstuk hebt verwijderd, moet u het ergens opbergen waar uw kind er niet bij kan.
- ! Was de zachte onderdelen met koud water onder de 30°C.
- ! De zachte onderdelen niet strijken.
- ! De zachte onderdelen niet bleken of laten stomen.
- ! Gebruik geen onverdund neutraal schoonmaakmiddel, benzine of andere organische materialen om het kinderzitje te wassen. Dat kan het kinderzitje beschadigen.
- ! De zachte onderdelen niet draaien voor drogen met veel kracht. Dit kan kreuken achterlaten in de zachte onderdelen.
- ! Laat zachte onderdelen hangend drogen in de schaduw.
- ! Haal het kinderstoeltje uit de autostoel als het voor langere tijd niet wordt gebruikt. Plaats het kinderzitje in de schaduw en ergens waar uw kind er niet bij kan.



Opmerking



Allison Baby UK Ltd,
Venture Point, Towers Business Park,
Rugeley, Staffordshire, WS15 1UZ

bring the kids™

Share the joy at www.joiebaby.com

P-IM0297J_1