

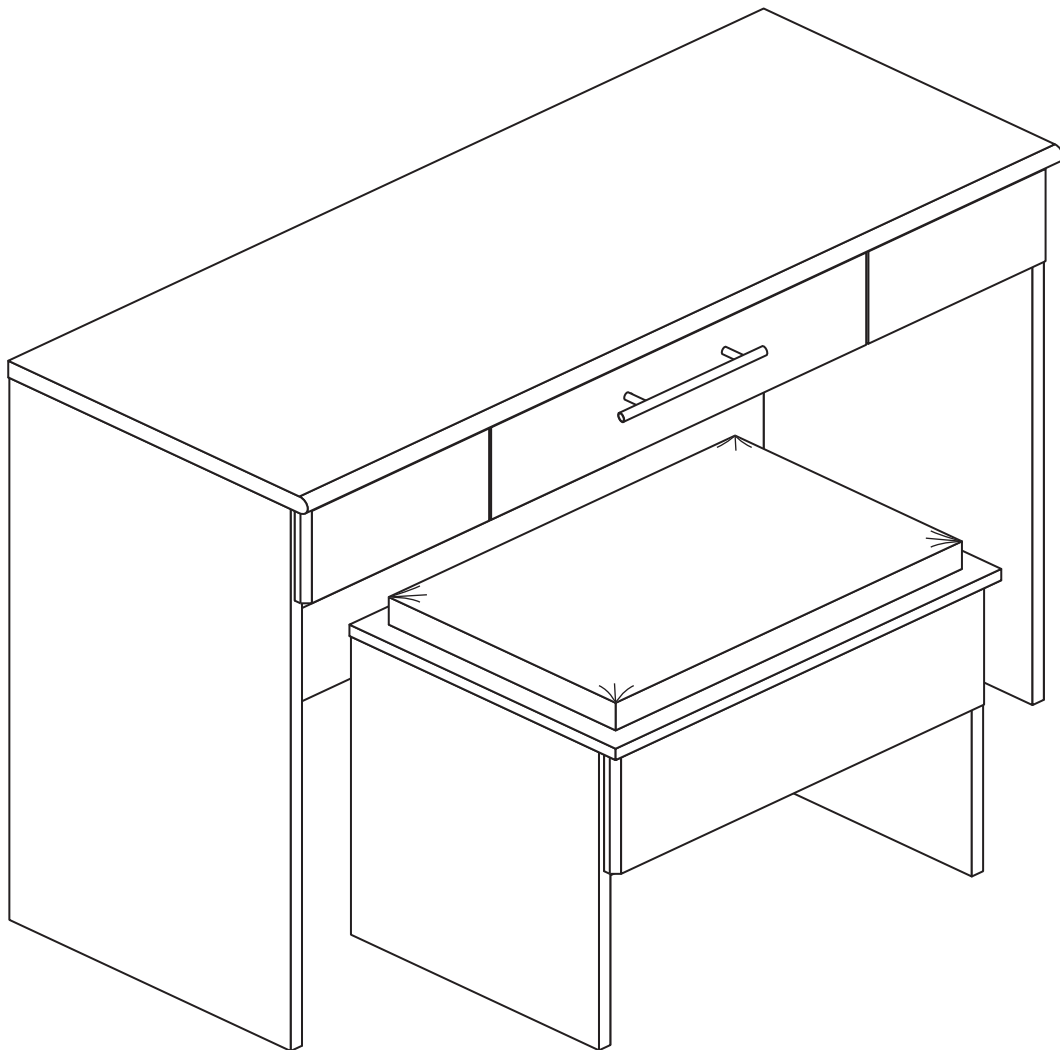
Normandy - Dressing Table and Stool

Assembly Instructions - Please keep for future reference

325/6208

356/1962

331/1837



Dimensions

Width - 100cm

Depth - 40cm

Height - 74cm



**MADE IN
BRITAIN**

Important - Please read these instructions fully before starting assembly

If you need help or have damaged or missing parts, call the **Customer Helpline: 08456 400800**



Safety and Care Advice

Important - Please read these instructions fully before starting assembly

- **Warning:** This unit weighs approximately 31.5kgs. Please lift with care.

- Check you have all the components and tools listed on pages 2 and 3.

- Remove all fittings from the plastic bags and separate them into their groups.

- Keep children and animals away from the work area, small parts could choke if swallowed.

- Parts of the assembly will be easier with 2 people.

- Make sure you have enough space to layout the parts before starting.

- Do not stand or put weight on the product, this could cause damage.

- Assemble the item as close to its final position (in the same room) as possible.

- Assemble on a soft level surface to avoid damaging the unit or your floor (use opened out unit carton).



- We do not recommend the use of power drill/drivers **for inserting screws**, as this could damage the unit. Only use hand screwdrivers.

- **Safety note:** It is recommended that this unit is secured to a wall using the overbalance kit supplied.

- Dispose of all packaging carefully and responsibly.

Care and maintenance

- Only clean using a damp cloth and mild detergent, do not use bleach or abrasive cleaners.

- From time to time check that there are no loose screws on this unit.

- This product should not be discarded with household waste. Take to your local authority waste disposal centre.

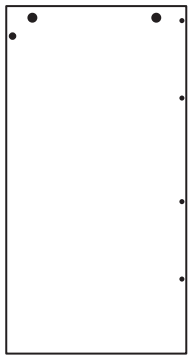
Note: If required the next page can be cut out and used as reference throughout the assembly. Keep this page with these instructions for future reference.

Components - Panels

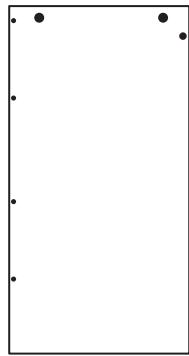
If you have damaged or missing components, call the **Customer Helpline: 08456 400800** quoting the reference numbers below

Please check you have all the panels listed below

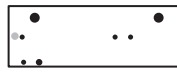
Dresser



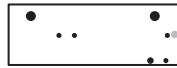
1 Left Side (DF632)
(718 x 372mm)



2 Right Side (DF633)
(718 x 372mm)



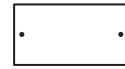
3 Left Upright (DF635)
(125 x 356mm)



4 Right Upright (DF636)
(125 x 356mm)



5 Left Blanking Panel (DF638)
(242 x 125mm)



6 Right Blanking Panel (DF639)
(242 x 125mm)



7 Top (DF631)
(999 x 396mm)



8 Modesty (DF634)
(966 x 244mm) x 2



9 Rail (DF640)
(503 x 78mm)



10 Drawer Front (DF637)
(496 x 122mm)



11 Left Drawer Side (W350-95LH)
(350 x 95mm)



12 Right Drawer Side (W350-95RH)
(350 x 95mm)

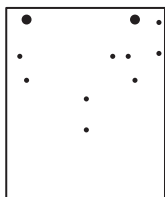


13 Drawer Back (W471-95)
(471 x 95mm)

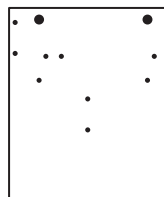


14 Drawer Base (T482-347)
(482 x 347mm)

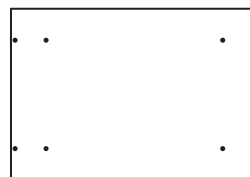
Stool



15 Stool Left Side (DF342A)
(395 x 328mm)



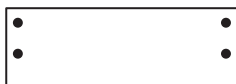
16 Stool Right Side (DF343A)
(395 x 328mm)



17 Stool Top (DF344A)
(510 x 352mm)



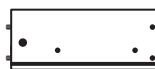
18 Stool Base (DF347A)
(478 x 306mm)



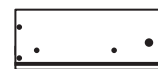
19 Stool Rail (DF346A)
(478 x 160mm) x 2



20 Stool Drawer Front (DF345A)
(495 x 157mm)



21 Stool Left Drawer Side (W300-124LH)
(300 x 124mm)



22 Stool Right Drawer Side (W300-124RH)
(300 x 124mm)



23 Stool Drawer Back (W441-124)
(441 x 124mm)



24 Stool Seat Pad (FHALPAD)
(458 x 300mm)



25 Stool Drawer Base (T452-297)
(452 x 297mm)

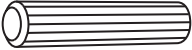
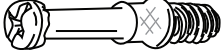



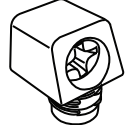





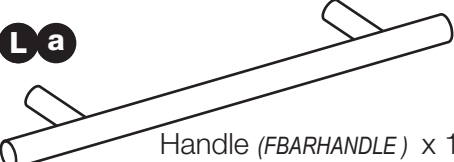


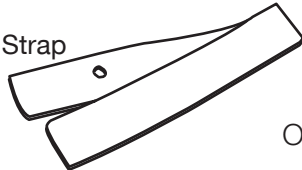





Components - Fittings

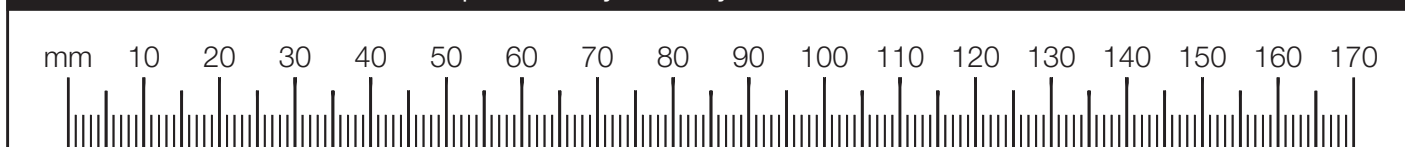
If you have damaged or missing components, call the **Customer Helpline: 0870 112 1928** or **email: Help@ClickSpares.co.uk** (quoting your original order number and the reference numbers below)

Please check you have all the fittings listed below

Note: The quantities below are the correct amount to complete the assembly. In some cases more fittings may be supplied than are required.

<p>A </p> <p>Wooden dowel (F22) x 2</p>	<p>B </p> <p>Metal dowel (F901) x 38</p>	<p>C </p> <p>Small locking nut (F3) x 4</p>
<p>D </p> <p>Large locking nut (F900) x 34</p>	<p>E </p> <p>Knock-in Peg (F171GY) x 8</p>	<p>F </p> <p>Mini block (F25) x 4</p>
<p>G </p> <p>9mm Screw (F74) x 4</p>	<p>H </p> <p>9mm Screw (F73) x 8</p>	<p>I </p> <p>25mm Screw (F50) x 4</p>
<p>J </p> <p>Drawer runner (F1004) x 4</p>		<p>K </p> <p>Wedgefix (F639) x 4</p>
<p>La </p> <p>Handle (FBARHANDLE) x 1</p>	<p>Lb </p> <p>19mm Screw (F461) x 2</p>	<p>M </p> <p>Plastic Nail (F91) x 8</p>
<p>N    </p> <p>Strap Screw Washer x 2</p> <p>Overbalance protector kit (F269) x 1</p>		

Ruler - Use this ruler to help correctly identify the screws



Assembly Instructions

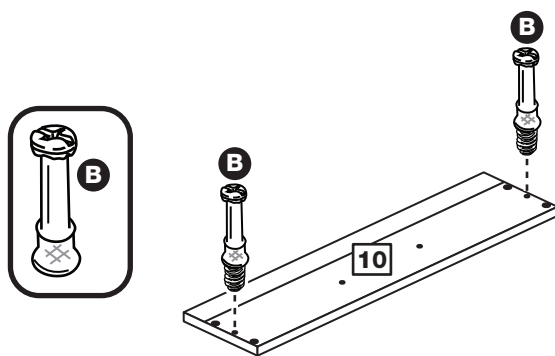
If you have damaged or missing components, call the
Customer Helpline: 08456 400800 quoting the reference
numbers below

Step 1

Prepare the drawer front

Screw 2 metal dowels **B** into the drawer front **10**.

Note: Tighten the metal dowels up fully against the panels.

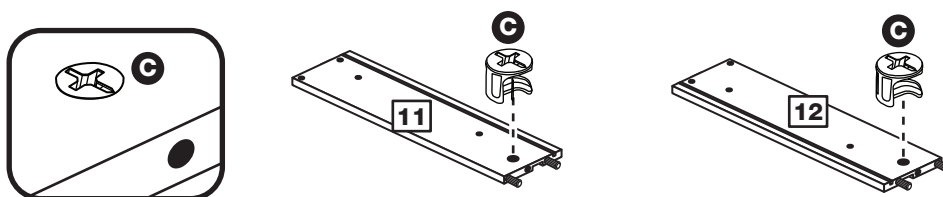


Step 2

Prepare the drawer sides

Insert a small locking nut **C** into the hole shown on the left drawer side **11** and the right drawer side **12**.

Note: The arrow on the locking nut **must** point towards the hole in the edge of the panel.



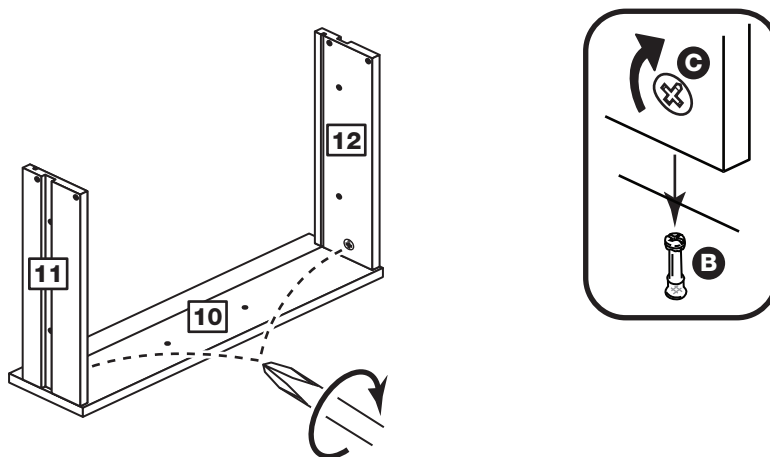
Step 3

Attach the drawer sides to the drawer front

Push the left drawer sides **11** and right drawer sides **12** onto the back of the drawer front **10**.

Turn the small locking nuts **C** on the left drawer side **11** and right drawer side **12**.

Note: Turn the locking nuts **C** clockwise to secure panels - more than 1/2 a turn.

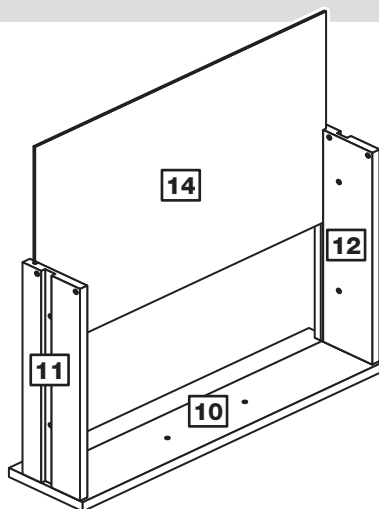


Assembly Instructions

Step 4

Fit the drawer base

Slide the drawer base **14** down the grooves in the drawer sides **11** and **12** and down into the groove in the drawer front **10**.

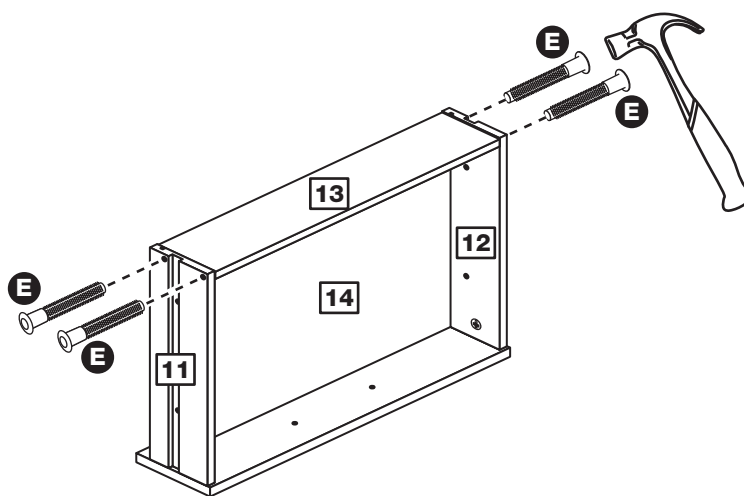


Step 5

Fit the drawer back

Fit the drawer back **13** between the drawer sides **11** and **12**. Make sure that the drawer base **14** fits into the groove in the drawer back **13**.

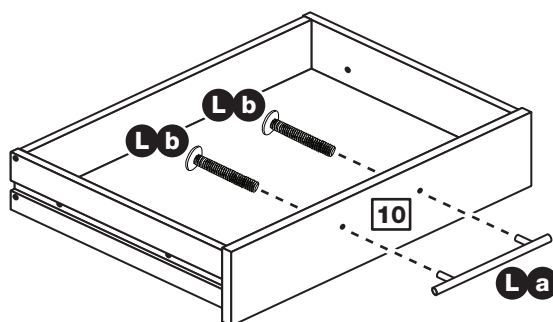
Hold the drawer back **13** in position and tap the knock-in pegs **E** through the holes in the drawer sides **11** and **12**.



Step 6

Attach the handle

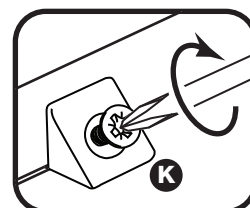
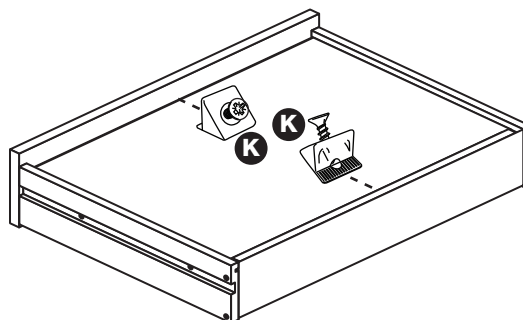
Attach the handle **L a** to the drawer front **10** using 2 screws **L b**.



Step 7

Fit the wedgifixes

Turn the drawer assembly over and slide 2 wedgifixes **K** into the front and back grooves, as shown, and tighten up the screws.



Assembly Instructions

Step 8

Prepare the left side

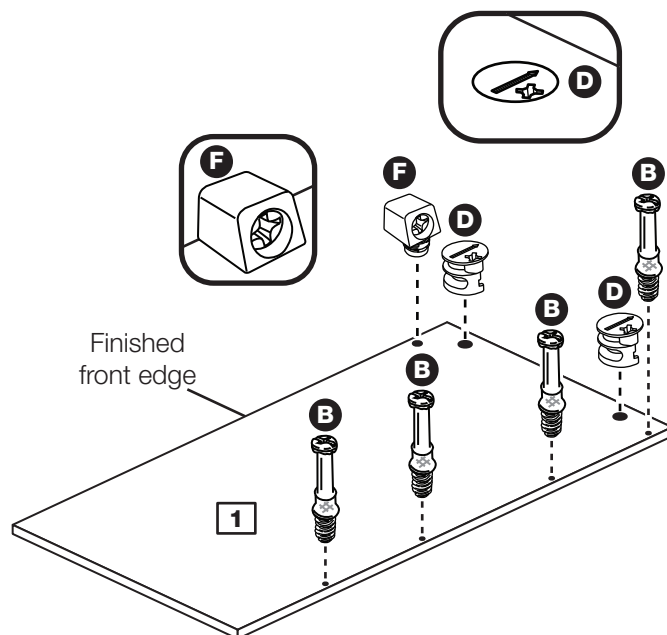
Screw 4 metal dowels **B** into the left side **1**.

Note: Tighten the metal dowels up fully against the panels.

Insert 2 large locking nuts **D** into the left side **1**.

Note: The arrow on the locking nut **must** point towards the hole in the edge of the panel.

Gently tap a mini block **F** into the left side **1**, orientated as shown.



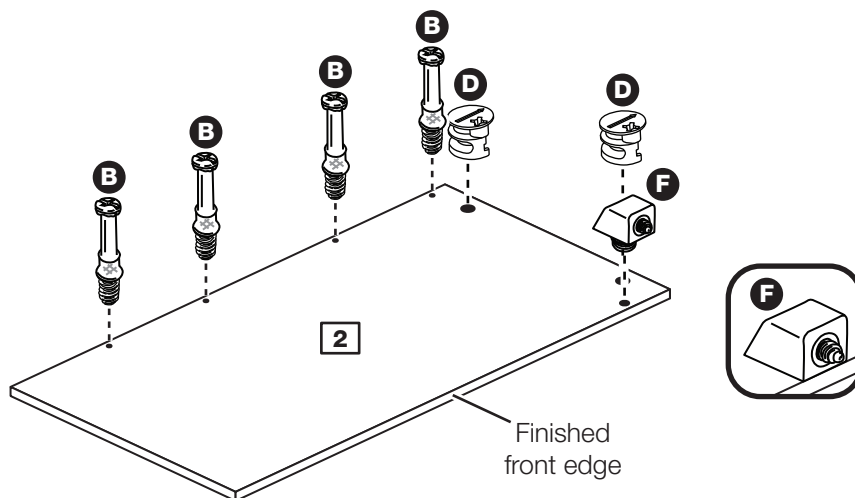
Step 9

Prepare the right side

Screw 4 metal dowels **B** into the right side **2**.

Insert 2 large locking nuts **D** into the right side **2**.

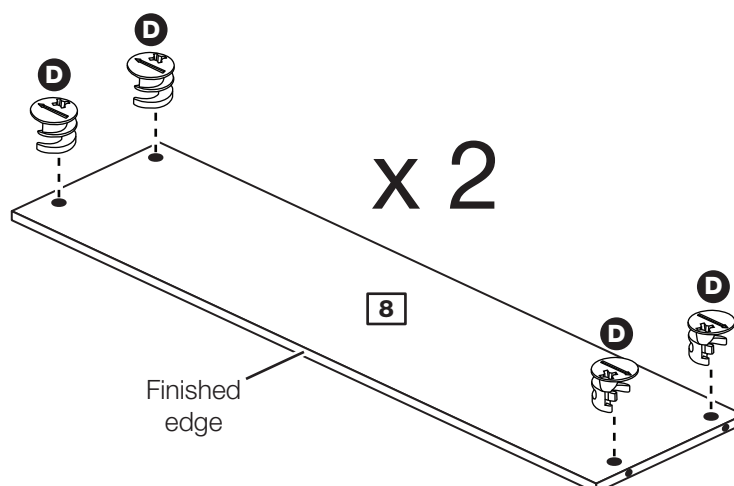
Gently tap a mini block **F** into the right side **2**, orientated as shown.



Step 10

Prepare the 2 modesty panels

Insert 4 large locking nuts **D** into each of the 2 modesty panels **8**.



Assembly Instructions

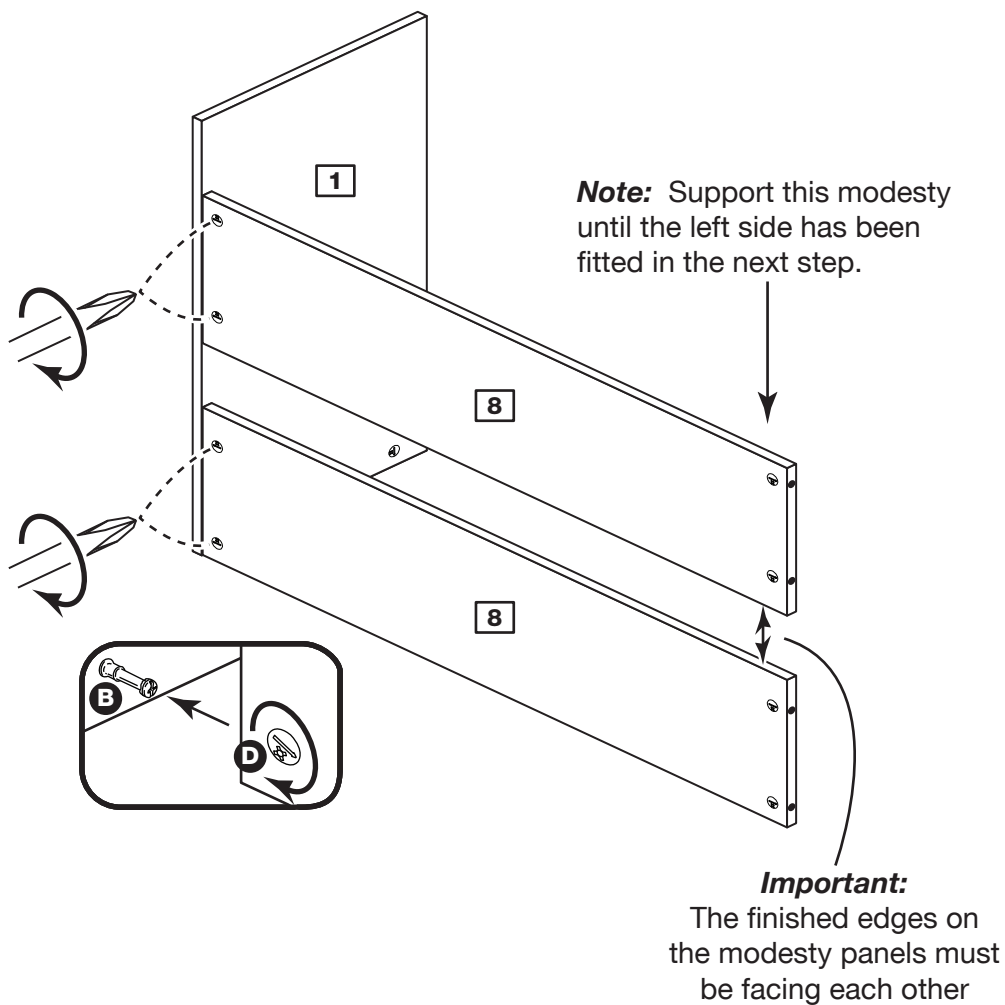
Step 11

Join the 2 modesty panels to the left side

Push the 2 modesty panels **8** onto the left side **1**.

Use a screwdriver to tighten the 2 large locking nuts **D** fitted to each modesty **8**.

Note: Turn the large locking nuts **D** as far as they will go - more than 1/2 a turn.

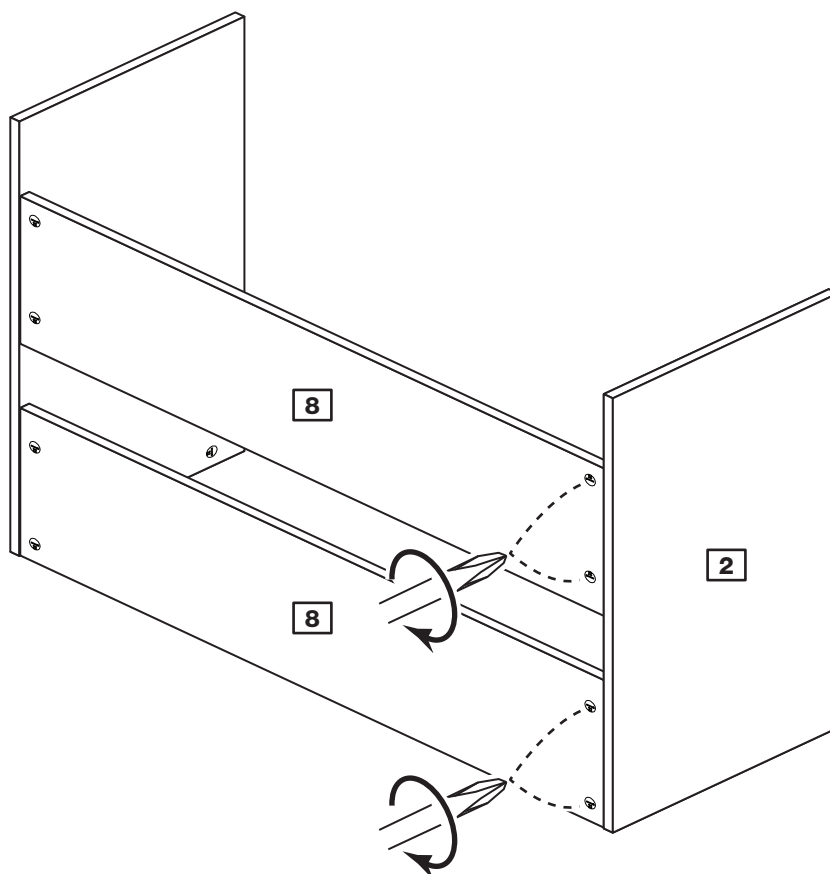


Step 12

Fit the right side

Push the right side **2** into the 2 modesty panels **8**.

Use a screwdriver to tighten the 2 large locking nuts **D** fitted to each modesty **8**.



Assembly Instructions

Step 13

Prepare the left upright

a: Place a runner **J** on the left upright **3** as shown. Slide back the top of runner and use the 2nd hole from the front to fit the 1st screw **H**.

b: Slide the runner **J** back the other way and fit the 2nd screw **H** into the corresponding hole in the left upright **3**.

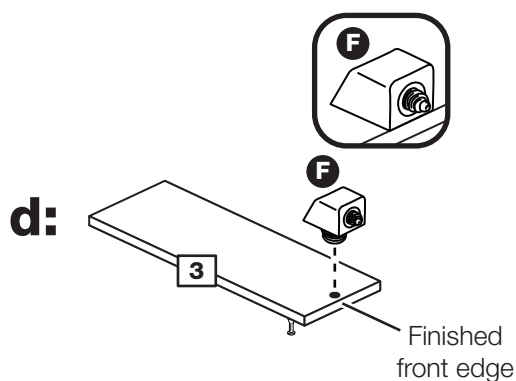
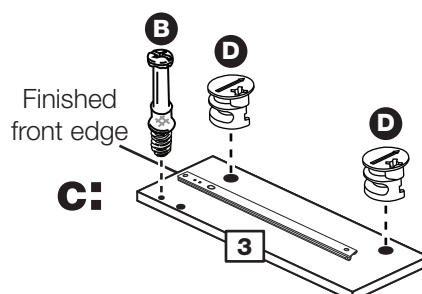
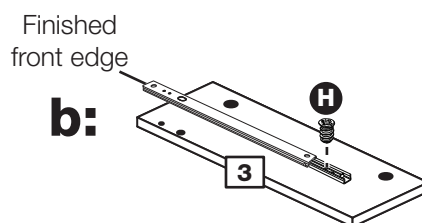
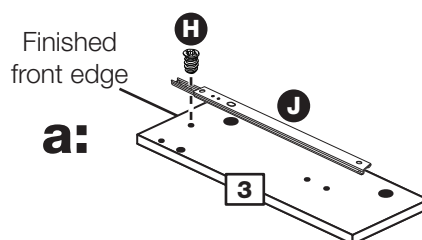
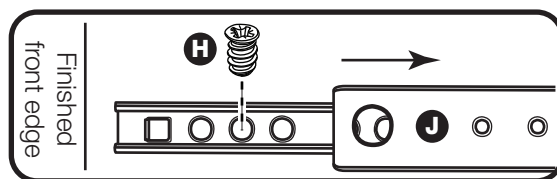
c: Screw a metal dowel **B** into the left upright **3**.

Insert 2 large locking nuts **D** into the left upright **3**.

Note: The arrow on the locking nuts **must** point towards the hole in the edge of the panel.

Turn the left upright over

d: Gently tap a mini block **F** into the left upright **3**, orientated as shown.



Assembly Instructions

Step 14

Prepare the right upright

a: Place a runner **J** on the right upright **4** as shown. Slide back the top of runner and use the 2nd hole from the front to fit the 1st screw **H**.

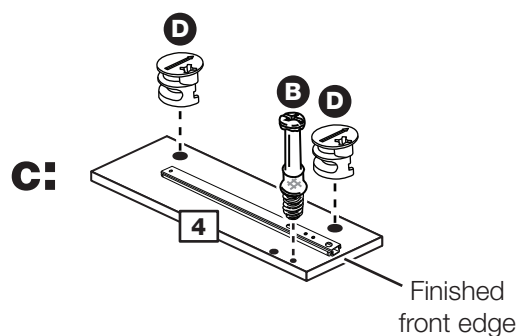
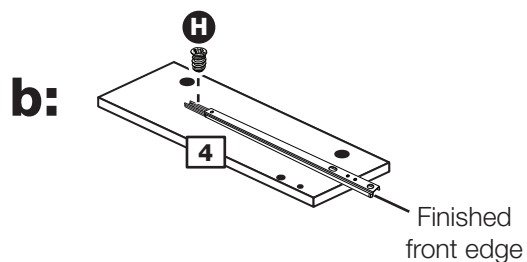
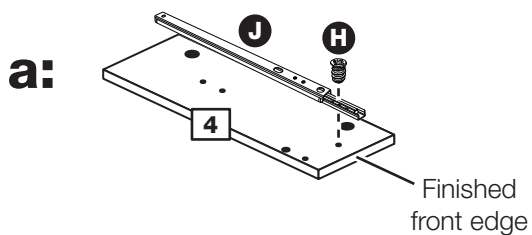
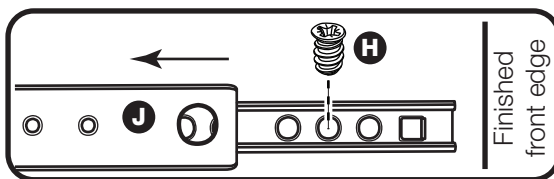
b: Slide the runner **J** back the other way and fit the 2nd screw **H** into the corresponding hole in the right upright **4**.

c: Screw a metal dowel **B** into the right upright **4**.

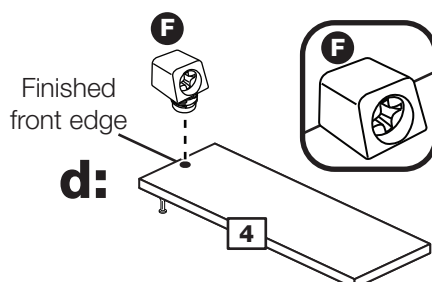
Insert 2 large locking nuts **D** into the right upright **4**.

Turn the right upright over

d: Gently tap a mini block **F** into the left upright **4**, orientated as shown.



Turn the right upright over



Assembly Instructions

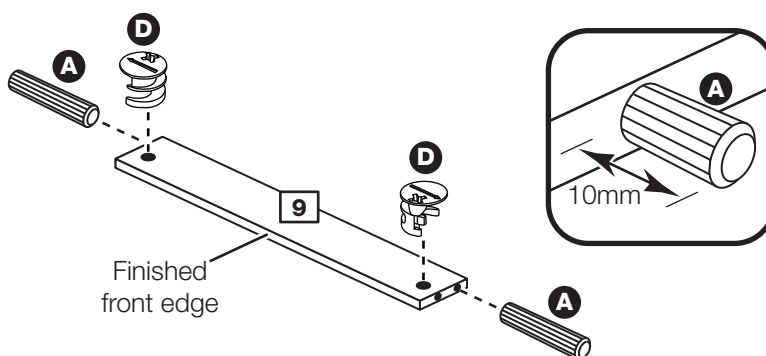
Step 15

Prepare the rail

Insert 2 large locking nuts **D** into the rail **9**.

Tap 2 wooden dowels **A** into the rail **9**.

Note: Wooden dowels **must not** stick out from the edge by more than 10mm or they may damage other panels.

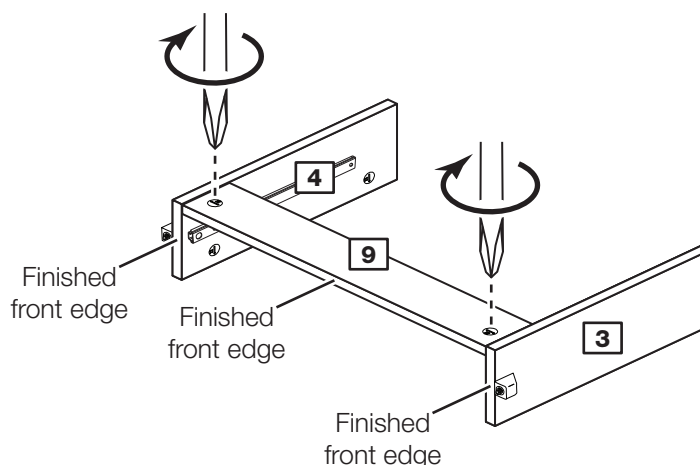


Step 16

Join the rail to the uprights

Push the left upright **3** and the right upright **4** into the rail **9**.

Use a screwdriver to tighten the 2 large locking nuts **D** fitted to the rail **9**.

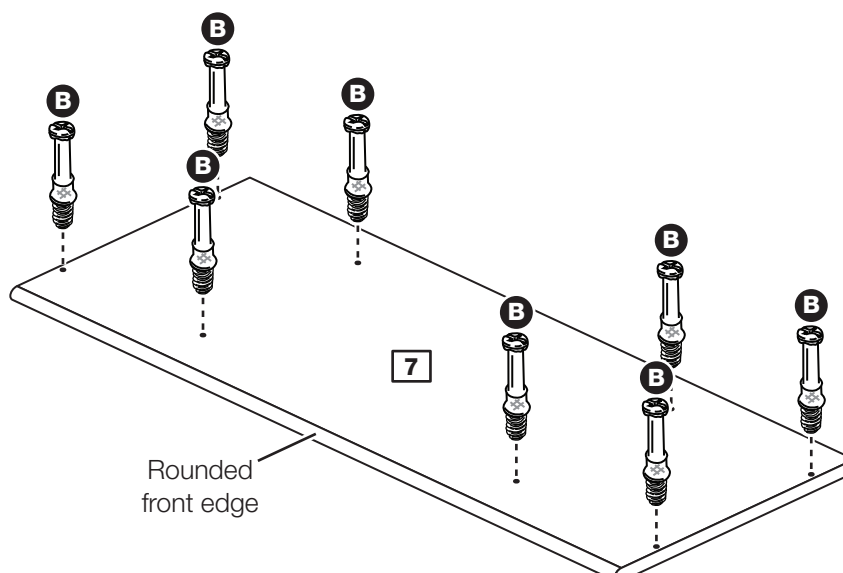


Step 17

Prepare the top

Screw 8 metal dowels **B** into the top **7**.

Note: Tighten the metal dowels up fully against the panels.



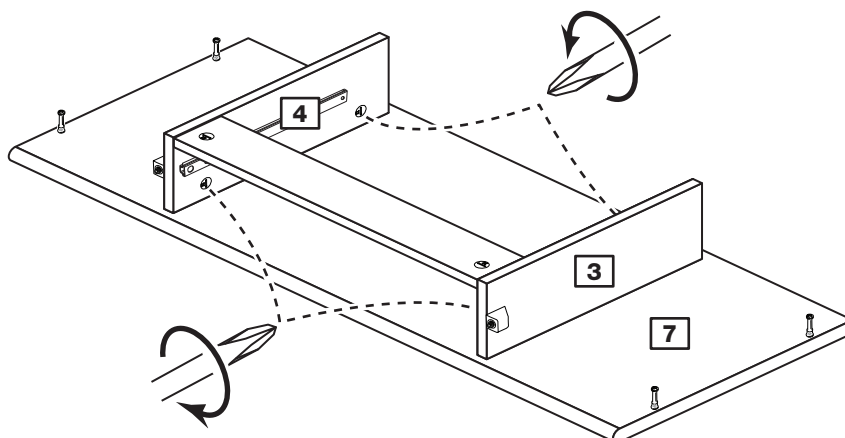
Assembly Instructions

Step 18

Fit the uprights to the top

Lower the left upright **3** and right upright **4** down onto the top **7**.

Use a screwdriver to tighten the 4 large locking nuts **D** fitted to the uprights **3** and **4**.

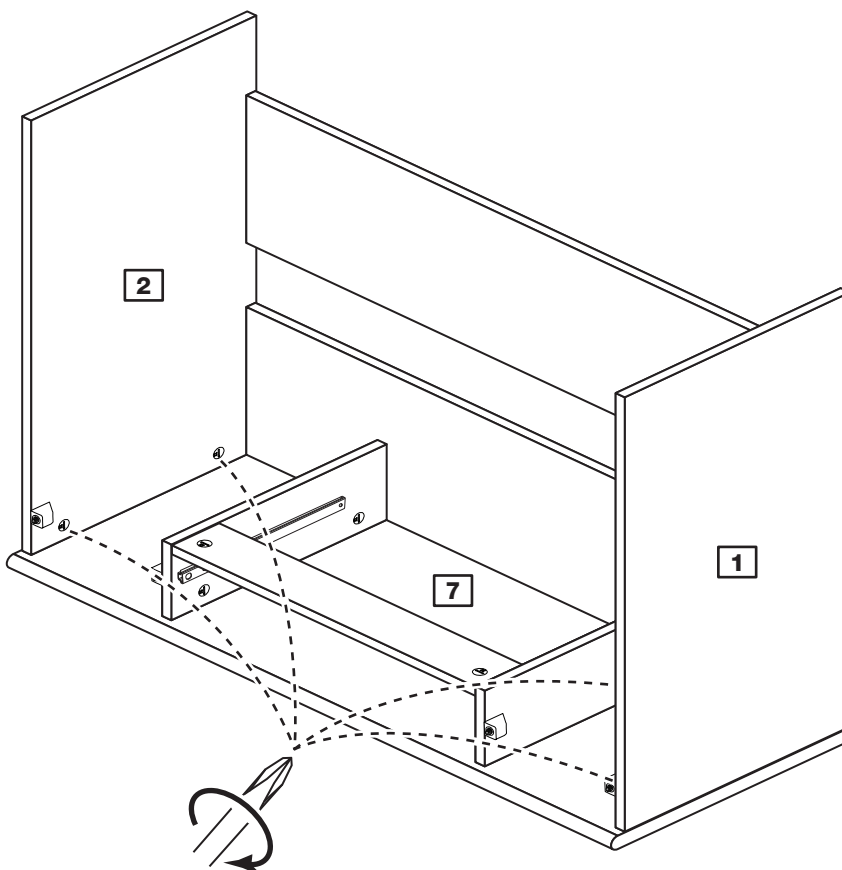


Step 19

Fit the sides to the top

Lower the left side **1** and right side **2** down onto the top **7**.

Use a screwdriver to tighten the 4 large locking nuts **D** fitted to the left side **1** and right side **2**.



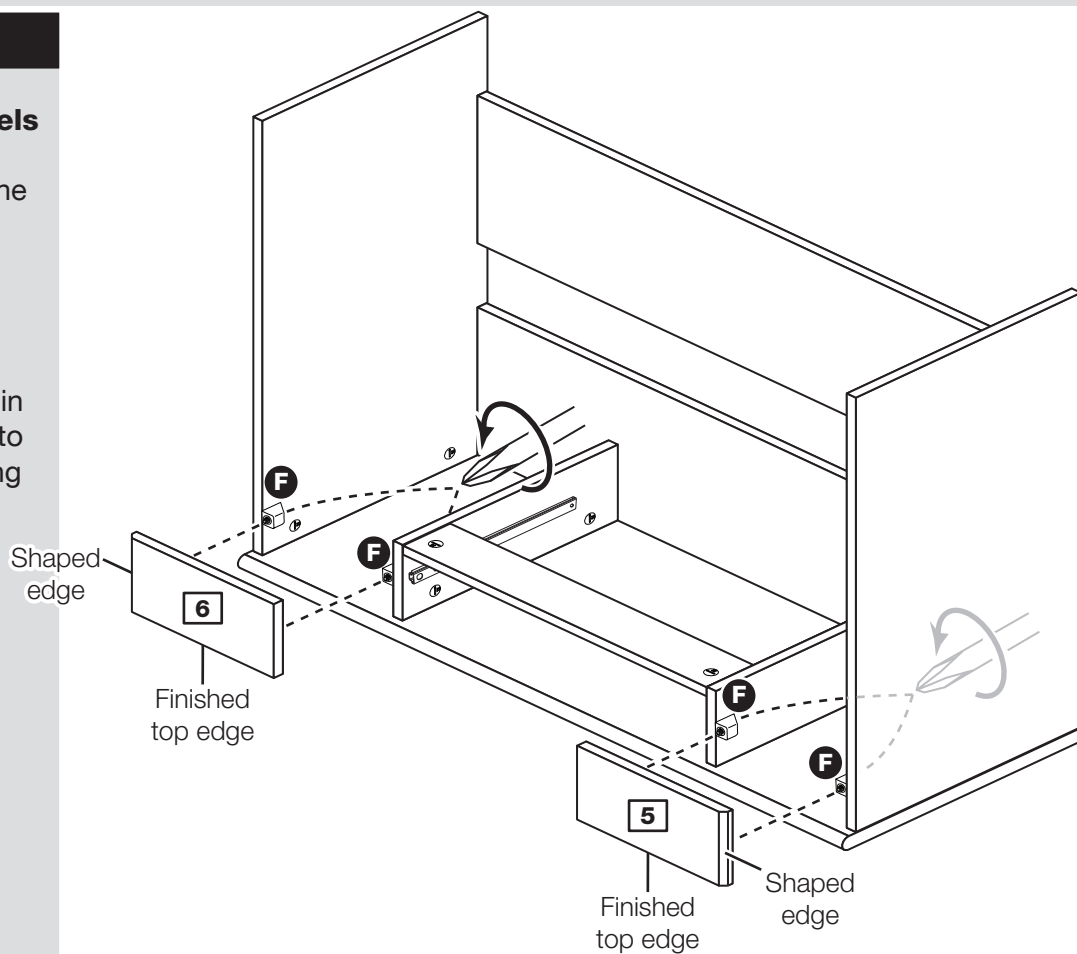
Assembly Instructions

Step 20

Fit the blanking panels

Position the holes on the back surface of each blanking panel **5** and **6** over the screws on the mini blocks **F**.

Tighten up the screws in the 4 mini blocks **F** into the holes in the blanking panels **5** and **6**.



Step 21

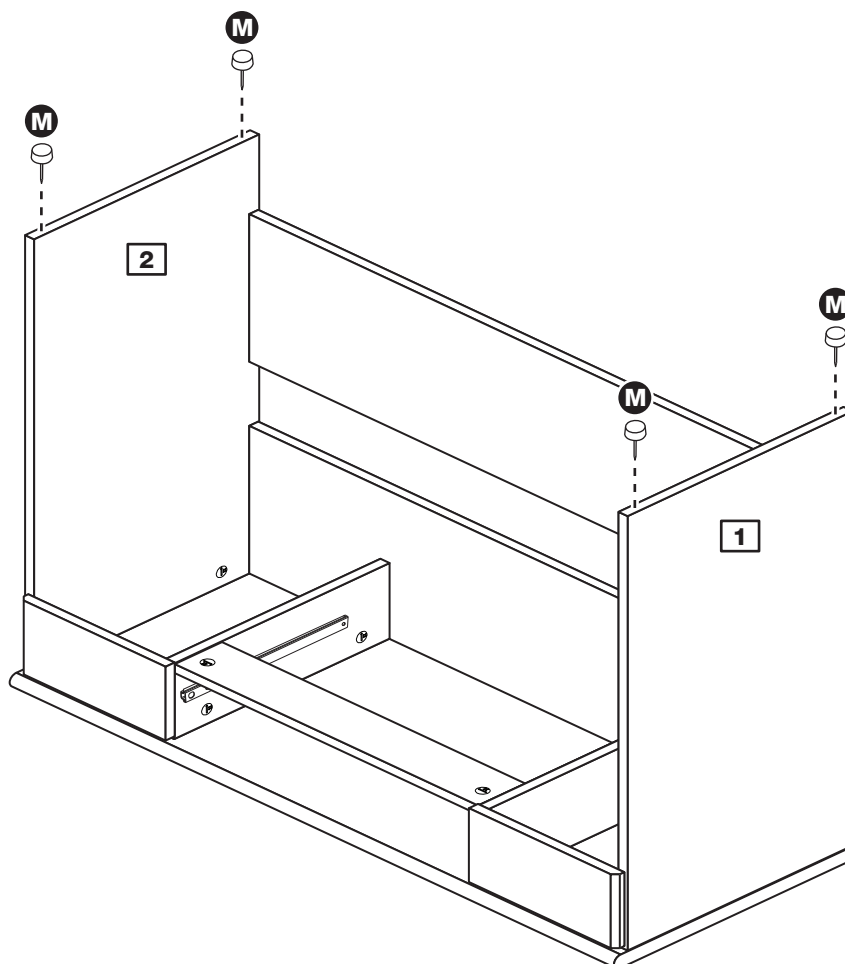
Fit the 4 plastic nails

Tap 2 plastic nails **M** into the bottom edge of each of the sides **1** and **2**.

Carefully stand the unit up for the next step.



Warning: The unit is heavy. Lift with care.



Assembly Instructions

Step 22

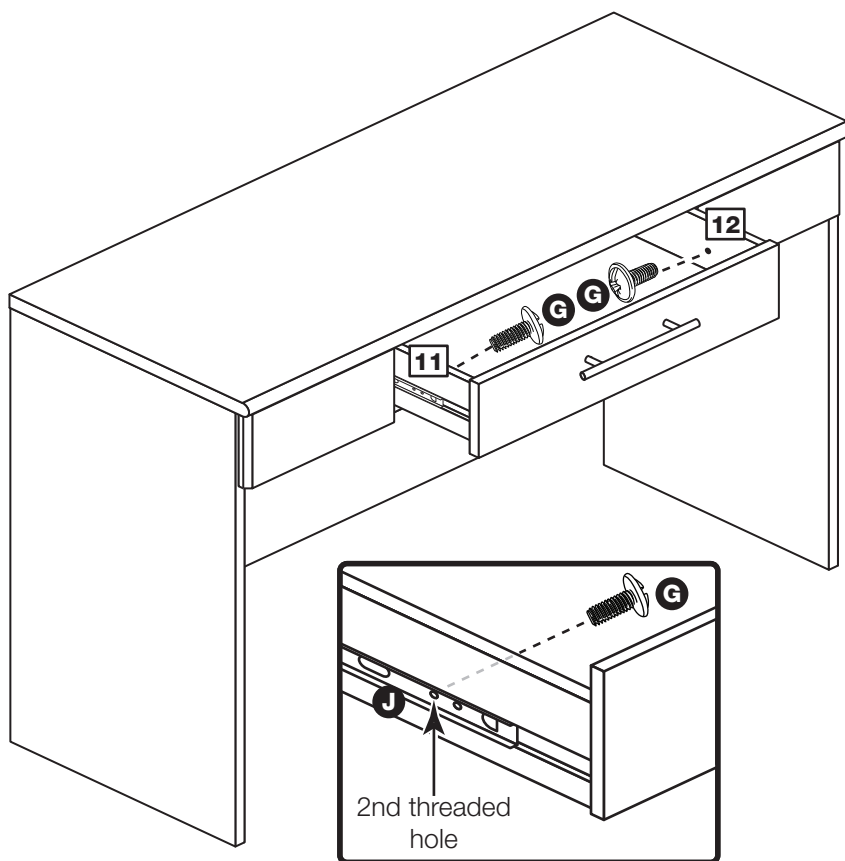
Fit the drawers

Starting with the bottom drawer, slide both the runners **J** forward and locate the drawer sides **11** and **12** between them, lining up the holes in the drawer wrap with the 2nd 'threaded' holes in the runners **J**.

Working from the inside of the drawer, insert 2 screws **G** through the drawer sides and out into the 2nd threaded hole in the runner.

Note: Do not overtighten the screws **G**. If they catch on the runner you may need to loosen them slightly.

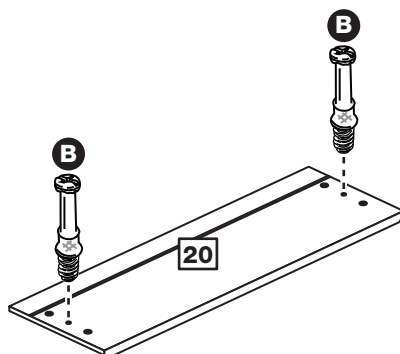
The dressing table assembly is complete



Step 23

Prepare the stool drawer front

Screw 2 metal dowels **B** into the stool drawer front **20**.



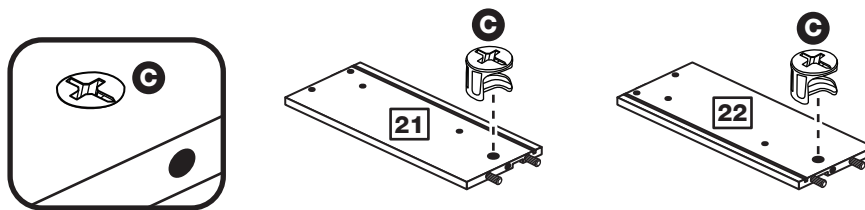
Assembly Instructions

Step 24

Prepare the stool drawer sides

Insert a small locking nut **C** into the hole shown on the stool left drawer side **21** and stool right drawer side **22**.

Note: Arrow on locking nut **must** point towards hole in edge of panel.

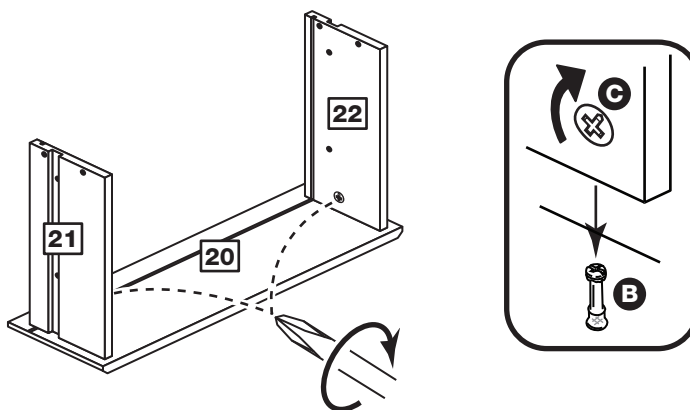


Step 25

Attach the stool drawer sides to the stool drawer front

Push the stool left drawer side **21** and stool right drawer side **22** onto the back of the stool drawer front **20**.

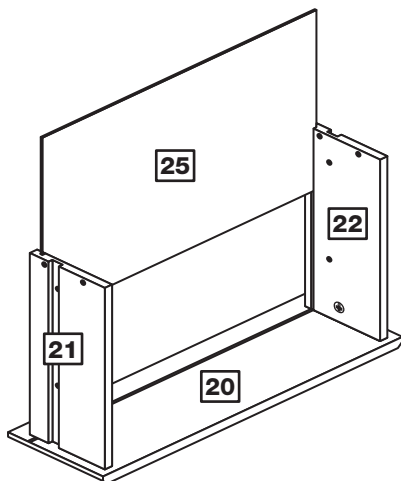
Turn the small locking nuts **C** on the stool left drawer side **21** and stool right drawer side **22**.



Step 26

Fit the stool drawer base

Slide the stool drawer base **25** down the grooves in the stool drawer sides **21** and **22** and down into the groove in the stool drawer front **20**.



Assembly Instructions

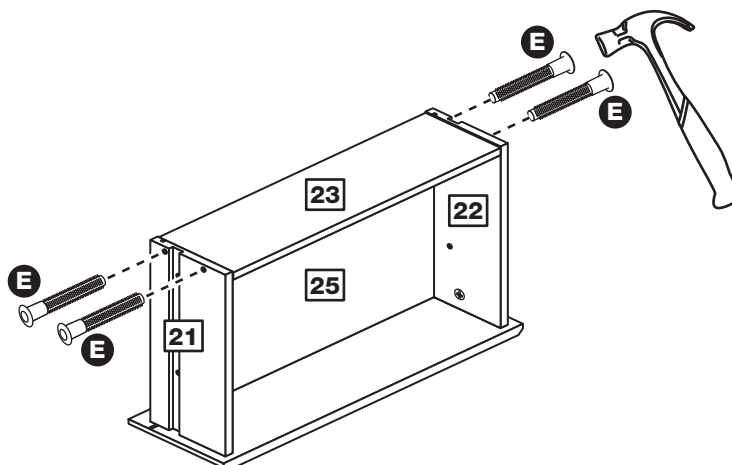
Step 27

Fit the stool drawer back

Fit the stool drawer back **23** down onto the stool drawer base **25**.

Make sure that the stool drawer base **25** fits into the groove in the stool drawer back **23**.

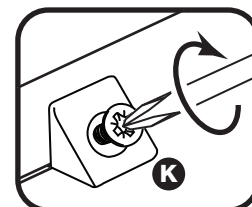
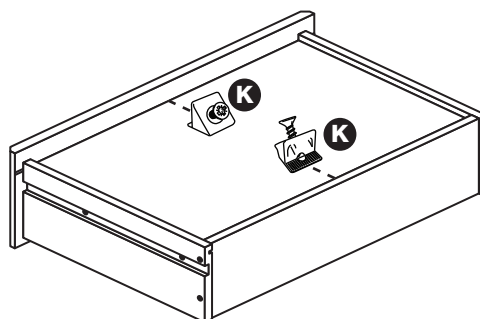
Hold the stool drawer back **23** in position and tap the knock-in pegs **E** through the holes in the stool drawer sides **21** and **22**.



Step 28

Fit the wedgexes

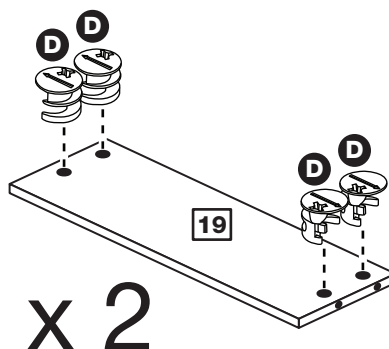
Turn the drawer assembly over and slide 2 wedgexes **K** into the front and back grooves, as shown, and tighten up the screws.



Step 29

Prepare the stool rails

Insert 4 large locking nuts **D** into each of the stool rails **19**.



Assembly Instructions

Step 30

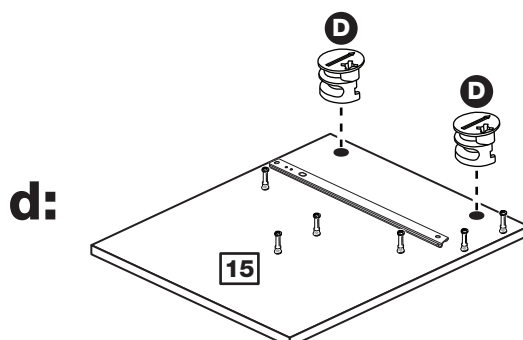
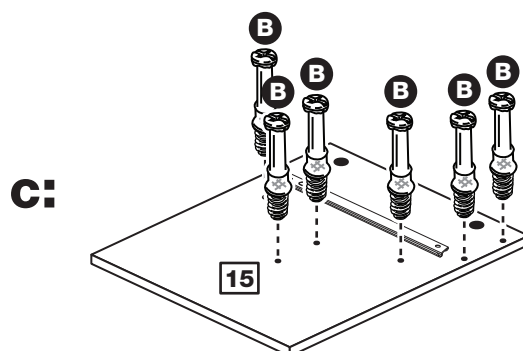
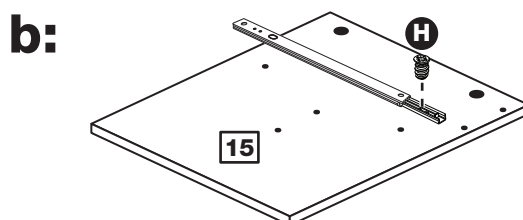
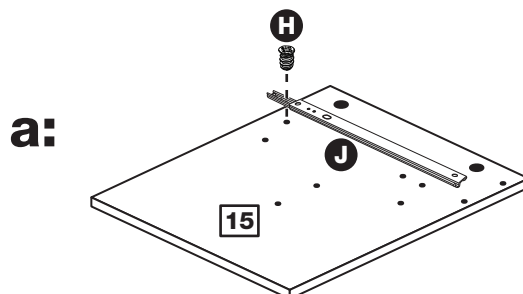
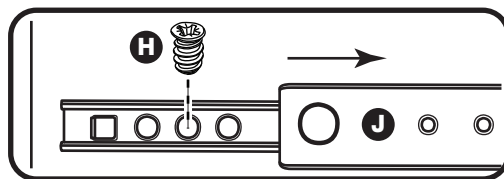
Prepare the stool left side

a: Place a runner **J** onto the stool left side **15**. Slide back the top of runner and use the 2nd hole from the front to fit the 1st screw **H**.

b: Slide the runner **J** back the other way and fit the 2nd screw **H** into the corresponding hole in the stool left side **15**.

c: Screw 6 metal dowels **B** into the stool left side **15**.

Insert 2 large locking nuts **D** into the stool left side **15**.



Assembly Instructions

Step 31

Prepare the stool right side

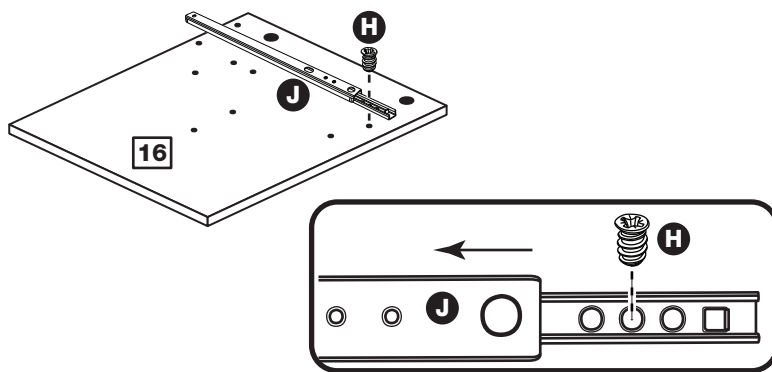
a: Place a runner **J** onto the stool right side **16**. Slide back the top of runner and use the 2nd hole from the front to fit the 1st screw **H**.

b: Slide the runner **J** back the other way and fit the 2nd screw **H** into the corresponding hole in the stool right side **16**.

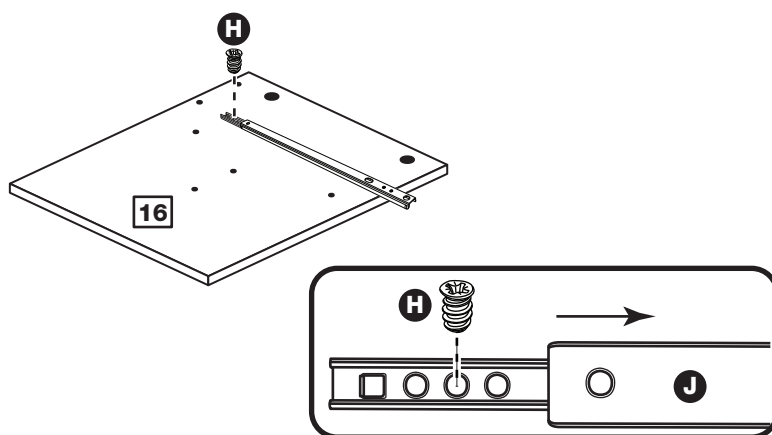
c: Screw 6 metal dowels **B** into the stool right side **16**.

Insert 2 large locking nuts **D** into the stool right side **16**.

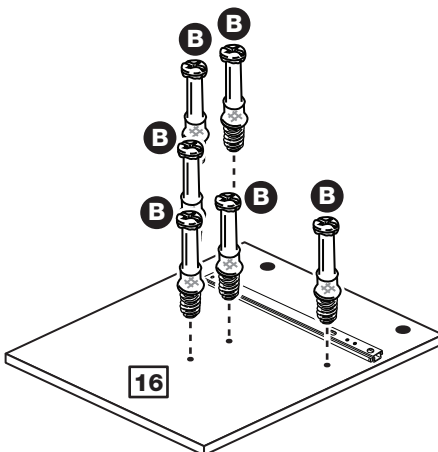
a:



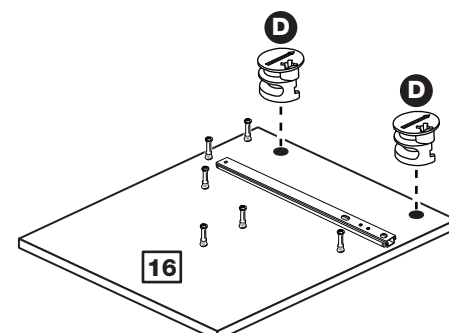
b:



c:



d:



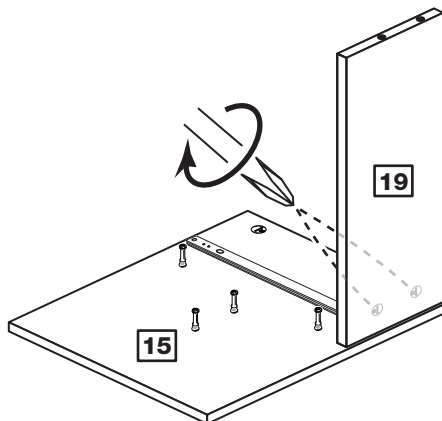
Assembly Instructions

Step 32

Fit a stool rail to the stool left side

Push a stool rail **19** onto the stool left side **15**.

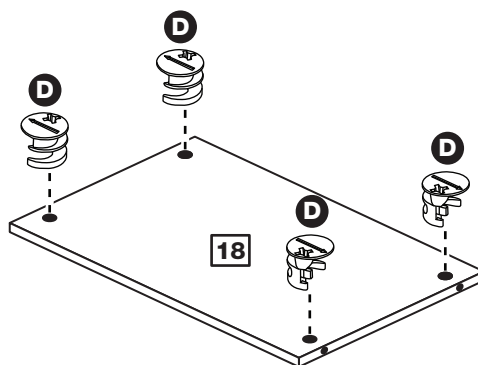
Use a screwdriver to tighten the 2 large locking nuts **D** fitted to the stool rail **19**.



Step 33

Prepare the stool base

Insert 4 large locking nuts **D** into the stool base **18**.

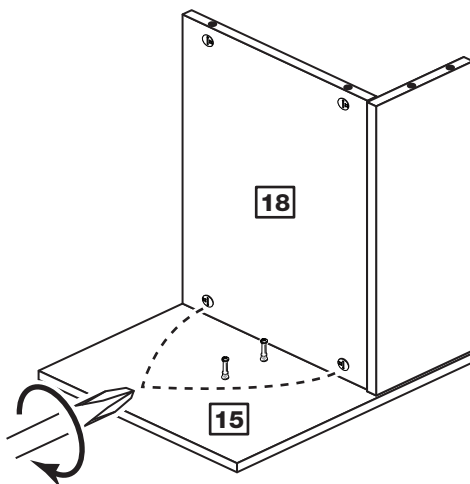


Step 34

Fit the stool base

Push the stool base **18** onto the stool left side **15**.

Use a screwdriver to tighten the 2 large locking nuts **D** fitted to the stool base **18**.



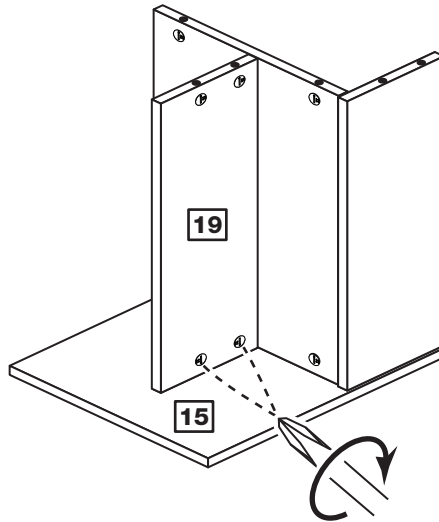
Assembly Instructions

Step 35

Fit the other stool rail

Push the other stool rail **19** onto the stool left side **15**.

Use a screwdriver to tighten the 2 large locking nuts **D** fitted to the stool rail **19**.

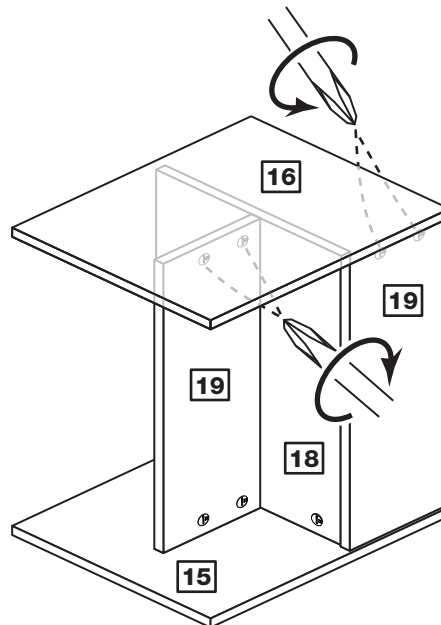


Step 36

Fit the stool right side

Push the stool right side **16** onto the stool base **18** and the 2 stool rails **19**.

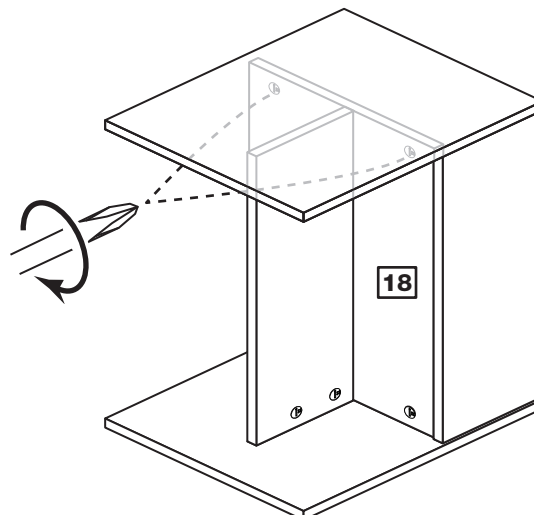
Use a screwdriver to tighten the 2 large locking nuts **D** fitted to each of the stool rails **19**.



Step 37

Secure the stool base

Use a screwdriver to tighten the 2 large locking nuts **D** fitted to the stool base **18**.



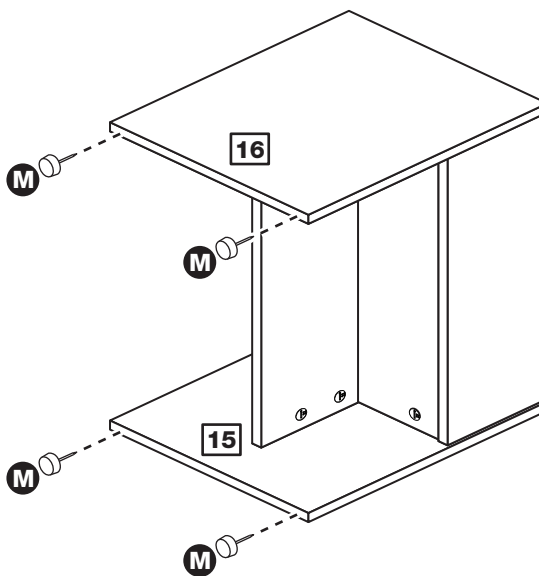
Assembly Instructions

Step 38

Fit the 4 plastic nails

Tap 2 plastic nails **M** into the bottom edge of each of the stool sides **15** and **16**.

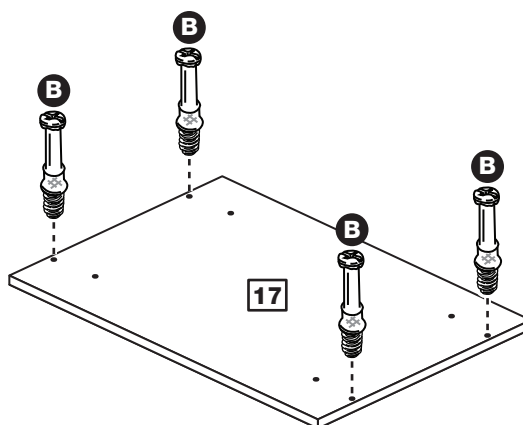
Stand the stool up for the next step.



Step 39

Prepare the stool top

Screw 4 metal dowels **B** into the stool top **17**.

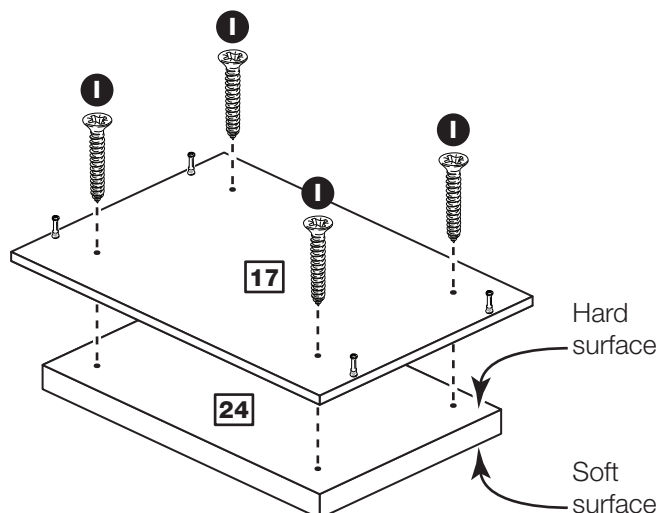


Step 40

Fit the stool seat pad

Fit the stool seat pad **24** to the stool top **17** using 4 screws **I**.

Note: Make sure that it is fitted centrally and you screw into the hard surface of the stool seat pad.



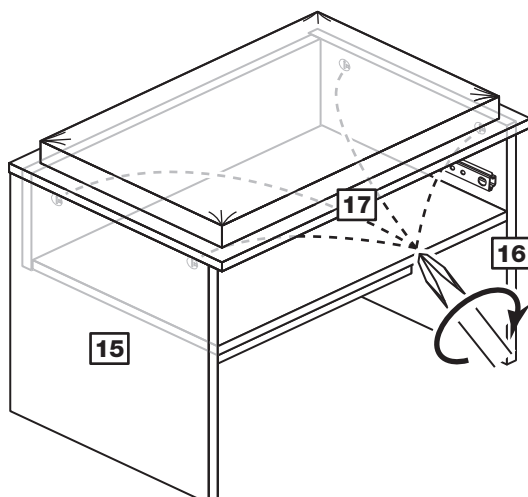
Assembly Instructions

Step 41

Fit the stool top

Lower the stool top **17** down onto the assembly.

Use a screwdriver to tighten the 4 large locking nuts **D** fitted to the stool left side **15** and stool right side **16**.



Step 42

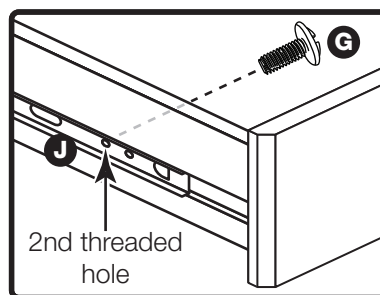
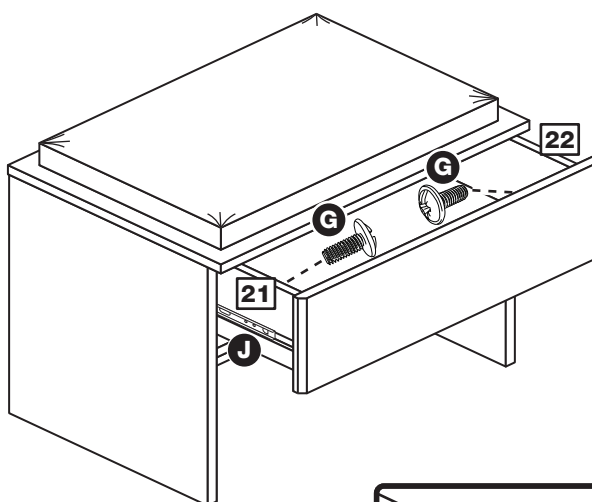
Fit the stool drawer

Slide both the runners **J** forward and locate the drawer sides **21** and **22** between them, lining up the holes in the drawer sides with the 2nd 'threaded' holes in the runners **J**.

Working from the inside of the drawer, insert 2 screws **G** through the drawer sides and out into the 2nd threaded hole in the runner.

Note: Do not overtighten the screws **G**.

If they catch on the runner you may need to loosen them slightly.



Assembly Instructions

Step 43

Fit the overbalance protector

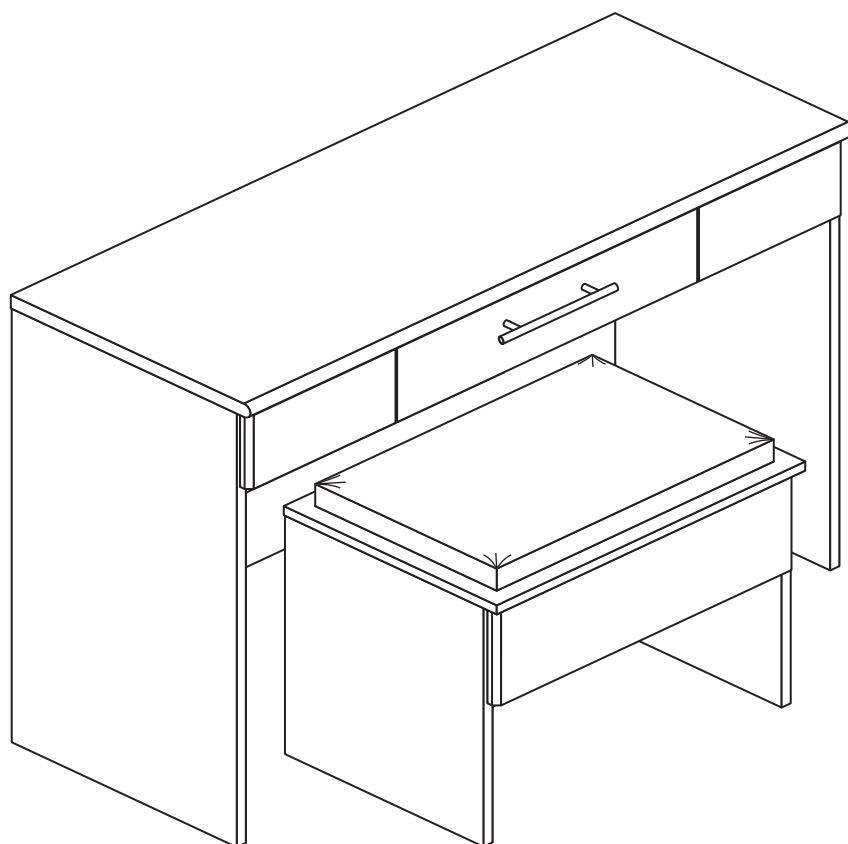
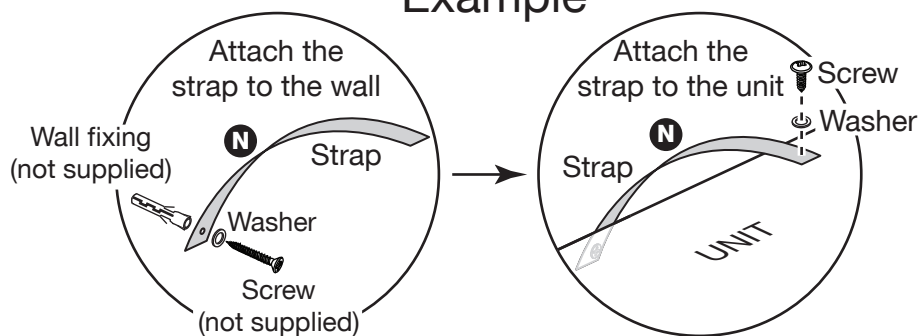
To prevent possible overbalancing we recommend that the dressing table is secured to a suitable wall by use of the overbalance protector kit **N** fitted to the unit or, an alternative fixing method of your choice.

Wall fixings are not supplied as they will need to suit the wall type.

Note: Take care when drilling the wall that you do not drill into any pipes, wires etc. If in doubt, consult an expert.

Assembly is complete

Example



If you need help or have damaged or missing parts, call the **Customer Helpline: 0870 112 1928** or email: Help@ClickSpares.co.uk (quoting your original order number and the reference numbers on the component pages)
Argos Ltd, 489-499 Avebury Boulevard, Central Milton Keynes, MK9 2NW

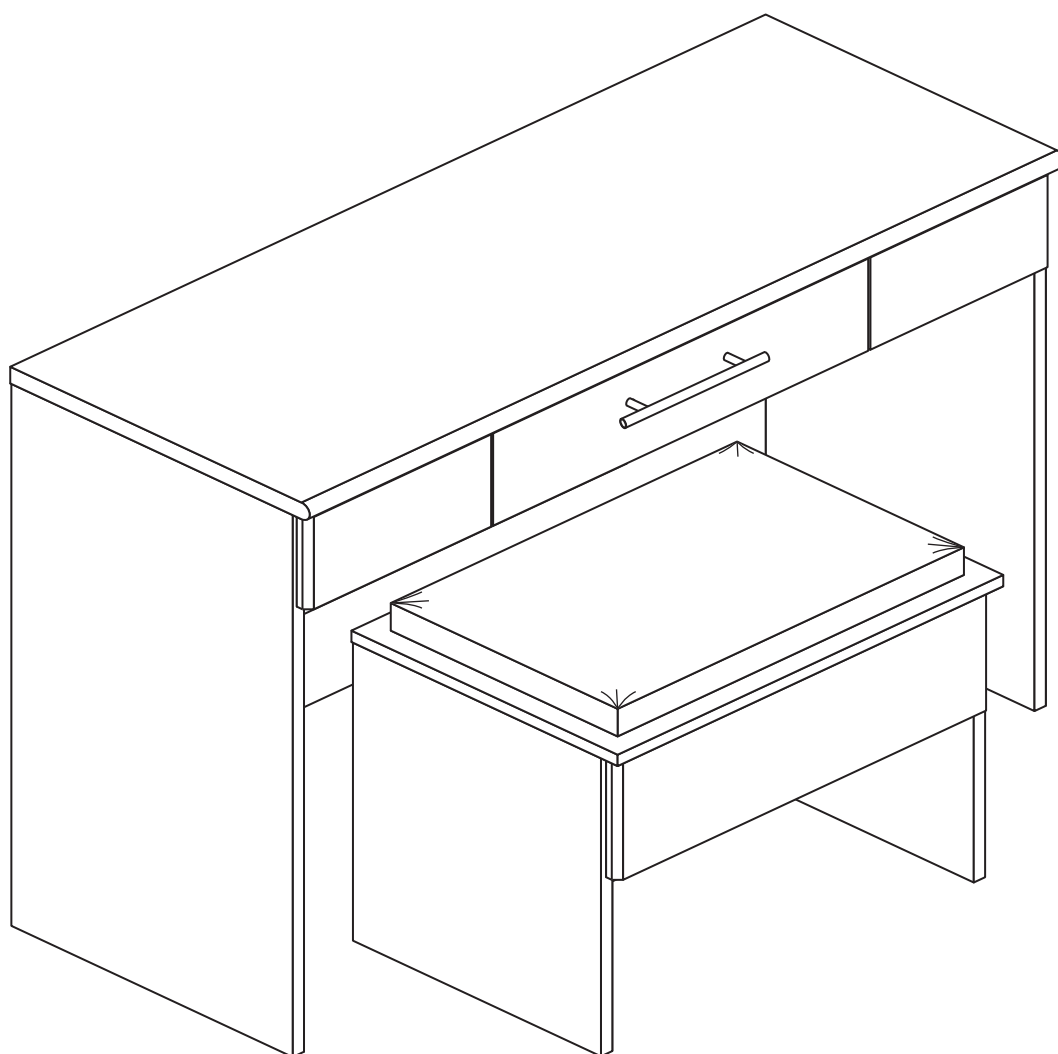
Normandy - Dressing Table and Stool

Assembly Instructions - Please keep for future reference

325/6208

356/1962

331/1837



Dimensions

Width - 100cm

Depth - 40cm

Height - 74cm



**MADE IN
BRITAIN**

Important - Please read these instructions fully before starting assembly

If you need help or have damaged or missing parts, call the **Customer Helpline: 03456 400800**



Safety and Care Advice

Important - Please read these instructions fully before starting assembly

- **Warning:** This unit weighs approximately 31.5kgs. Please lift with care.

- Check you have all the components and tools listed on pages 2 and 3.

- Remove all fittings from the plastic bags and separate them into their groups.

- Keep children and animals away from the work area, small parts could choke if swallowed.

- Parts of the assembly will be easier with 2 people.

- Make sure you have enough space to layout the parts before starting.

- Do not stand or put weight on the product, this could cause damage.

- Assemble the item as close to its final position (in the same room) as possible.

- Assemble on a soft level surface to avoid damaging the unit or your floor (use opened out unit carton).



- We do not recommend the use of power drill/drivers **for inserting screws**, as this could damage the unit. Only use hand screwdrivers.

- **Safety note:** It is recommended that this unit is secured to a wall using the overbalance kit supplied.

- Dispose of all packaging carefully and responsibly.

Care and maintenance

- Only clean using a damp cloth and mild detergent, do not use bleach or abrasive cleaners.

- From time to time check that there are no loose screws on this unit.

- This product should not be discarded with household waste. Take to your local authority waste disposal centre.

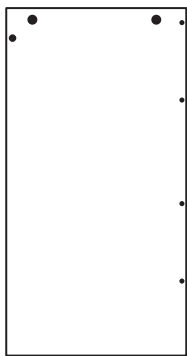
Note: If required the next page can be cut out and used as reference throughout the assembly. Keep this page with these instructions for future reference.

Components - Panels

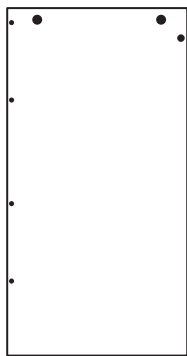
If you have damaged or missing components, call the **Customer Helpline: 03456 400800** quoting the reference numbers below

Please check you have all the panels listed below

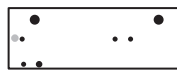
Dresser



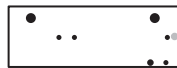
1 Left Side (DF632)
(718 x 372mm)



2 Right Side (DF633)
(718 x 372mm)



3 Left Upright (DF635)
(125 x 356mm)



4 Right Upright (DF636)
(125 x 356mm)



5 Left Blanking Panel (DF638)
(242 x 125mm)



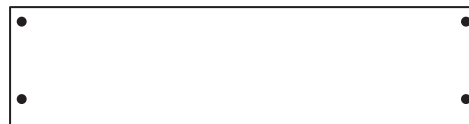
6 Right Blanking Panel (DF639)
(242 x 125mm)



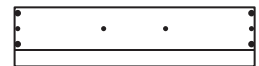
9 Rail (DF640)
(503 x 78mm)



7 Top (DF631)
(999 x 396mm)



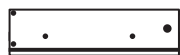
8 Modesty (DF634)
(966 x 244mm) x 2



10 Drawer Front (DF637)
(496 x 122mm)



11 Left Drawer Side (W350-95LH)
(350 x 95mm)



12 Right Drawer Side (W350-95RH)
(350 x 95mm)

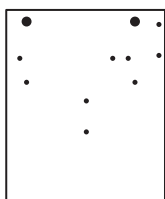


13 Drawer Back (W471-95)
(471 x 95mm)

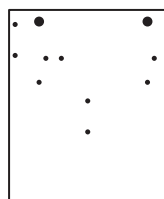


14 Drawer Base (T482-347)
(482 x 347mm)

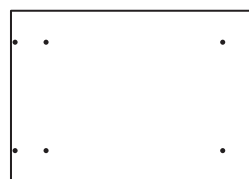
Stool



15 Stool Left Side (DF342A)
(395 x 328mm)



16 Stool Right Side (DF343A)
(395 x 328mm)



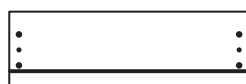
17 Stool Top (DF344A)
(510 x 352mm)



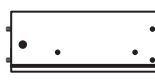
18 Stool Base (DF347A)
(478 x 306mm)



19 Stool Rail (DF346A)
(478 x 160mm) x 2



20 Stool Drawer Front (DF345B)
(495 x 157mm)



21 Stool Left Drawer Side (W300-124LH)
(300 x 124mm)



22 Stool Right Drawer Side (W300-124RH)
(300 x 124mm)



23 Stool Drawer Back (W445-124)
(445 x 124mm)



24 Stool Seat Pad (FHALPAD)
(458 x 300mm)



25 Stool Drawer Base (T456-297)
(456 x 297mm)

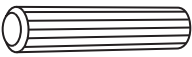
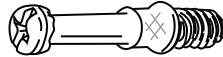



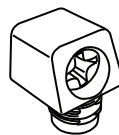
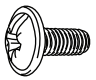




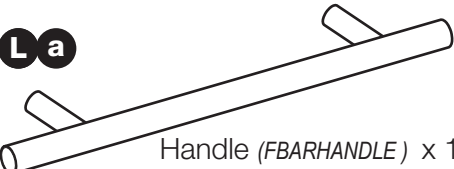

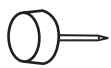
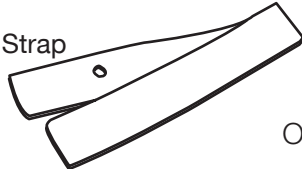





Components - Fittings

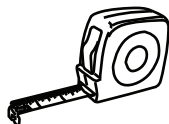
If you have damaged or missing components, call the **Customer Helpline: 03456 400800** quoting the reference numbers below

Please check you have all the fittings listed below

Note: The quantities below are the correct amount to complete the assembly. In some cases more fittings may be supplied than are required.

<p>A </p> <p>Wooden dowel (F22) x 2</p>	<p>B </p> <p>Metal dowel (F901) x 38</p>	<p>C </p> <p>Small locking nut (F3) x 4</p>
<p>D </p> <p>Large locking nut (F900) x 34</p>	<p>E </p> <p>Knock-in Peg (F171GY) x 8</p>	<p>F </p> <p>Mini block (F25) x 4</p>
<p>G </p> <p>9mm Screw (F74) x 4</p>	<p>H </p> <p>9mm Screw (F73) x 8</p>	<p>I </p> <p>25mm Screw (F50) x 4</p>
<p>J </p> <p>Drawer runner (F1004) x 4</p>		<p>K </p> <p>Wedgefix (F639) x 4</p>
<p>L a </p> <p>Handle (FBARHANDLE) x 1</p>	<p>L b </p> <p>19mm Screw (F461) x 2</p>	<p>M </p> <p>Plastic Nail (F91) x 8</p>
<p>N    </p> <p>Strap Screw Washer x 2</p> <p>Overbalance protector kit (F269) x 1</p>		

Tools required



Rule



Cross-head screwdriver



Scissors



Hammer

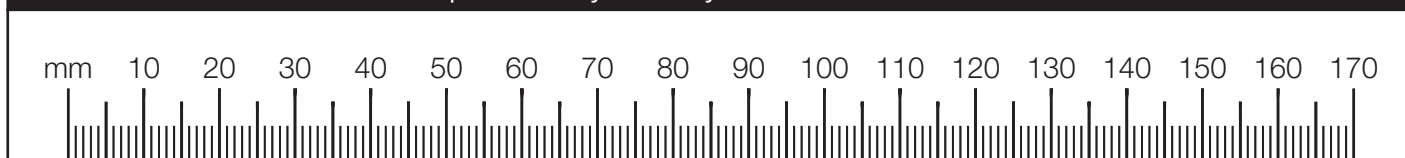


Eye protection (when using a hammer or drill)



Electric drill (only use when drilling into walls)

Ruler - Use this ruler to help correctly identify the screws



Assembly Instructions

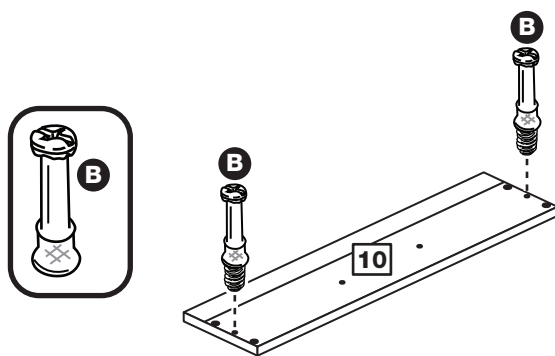
If you have damaged or missing components, call the
Customer Helpline: 03456 400800 quoting the reference
numbers below

Step 1

Prepare the drawer front

Screw 2 metal dowels **B** into the drawer front **10**.

Note: Tighten the metal dowels up fully against the panels.

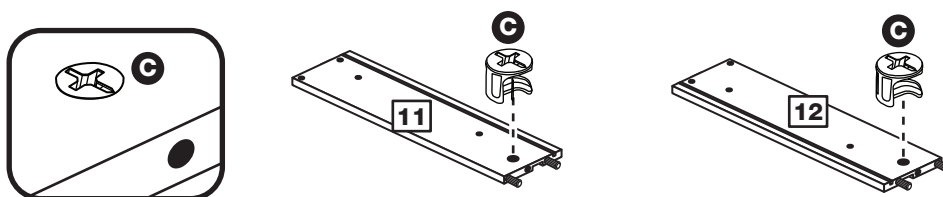


Step 2

Prepare the drawer sides

Insert a small locking nut **C** into the hole shown on the left drawer side **11** and the right drawer side **12**.

Note: The arrow on the locking nut **must** point towards the hole in the edge of the panel.



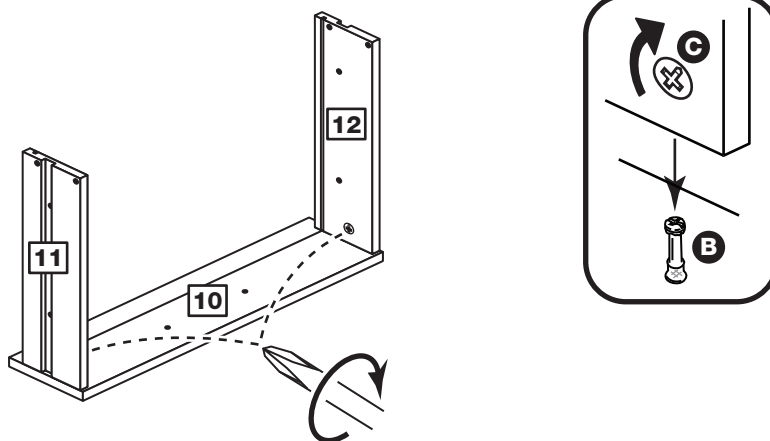
Step 3

Attach the drawer sides to the drawer front

Push the left drawer sides **11** and right drawer sides **12** onto the back of the drawer front **10**.

Turn the small locking nuts **C** on the left drawer side **11** and right drawer side **12**.

Note: Turn the locking nuts **C** clockwise to secure panels - more than 1/2 a turn.

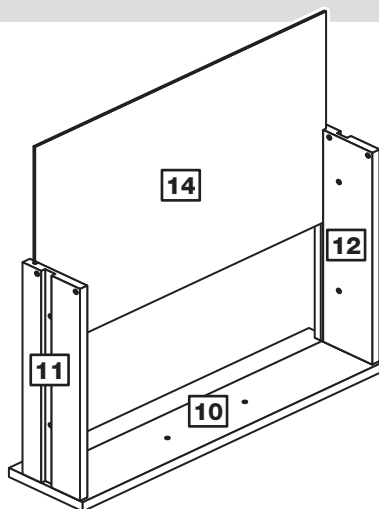


Assembly Instructions

Step 4

Fit the drawer base

Slide the drawer base **14** down the grooves in the drawer sides **11** and **12** and down into the groove in the drawer front **10**.

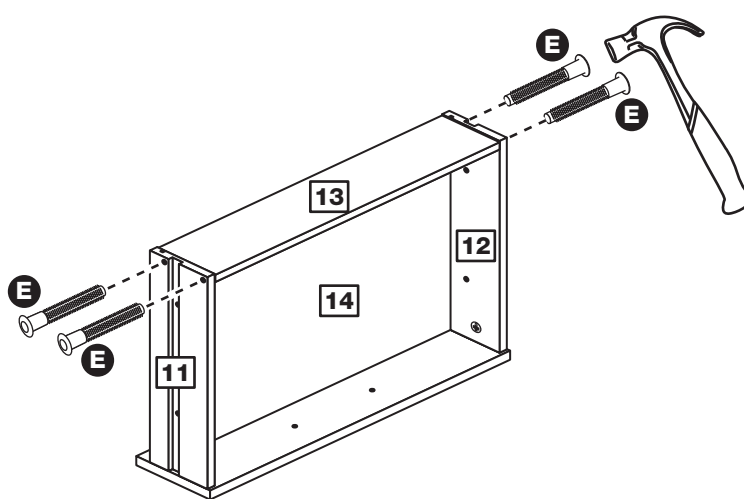


Step 5

Fit the drawer back

Fit the drawer back **13** between the drawer sides **11** and **12**. Make sure that the drawer base **14** fits into the groove in the drawer back **13**.

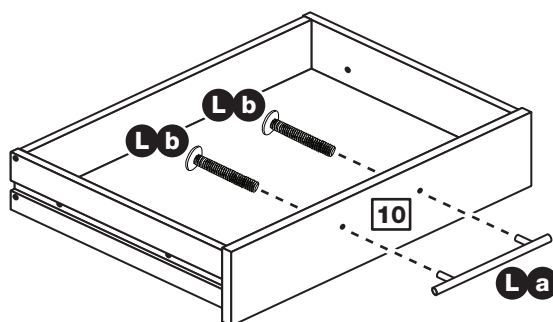
Hold the drawer back **13** in position and tap the knock-in pegs **E** through the holes in the drawer sides **11** and **12**.



Step 6

Attach the handle

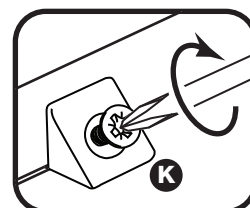
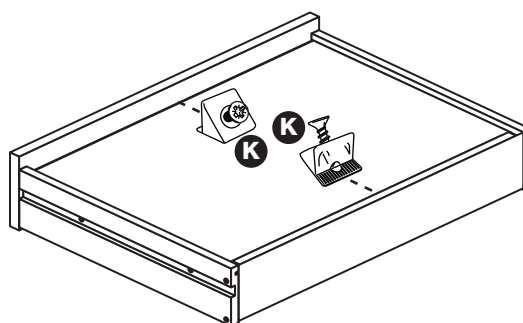
Attach the handle **L a** to the drawer front **10** using 2 screws **L b**.



Step 7

Fit the wedgifixes

Turn the drawer assembly over and slide 2 wedgifixes **K** into the front and back grooves, as shown, and tighten up the screws.



Assembly Instructions

Step 8

Prepare the left side

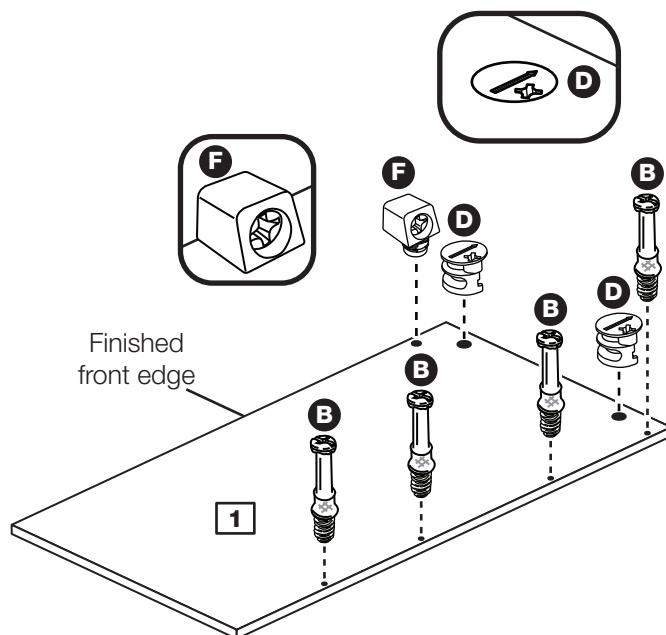
Screw 4 metal dowels **B** into the left side **1**.

Note: Tighten the metal dowels up fully against the panels.

Insert 2 large locking nuts **D** into the left side **1**.

Note: The arrow on the locking nut **must** point towards the hole in the edge of the panel.

Gently tap a mini block **F** into the left side **1**, orientated as shown.



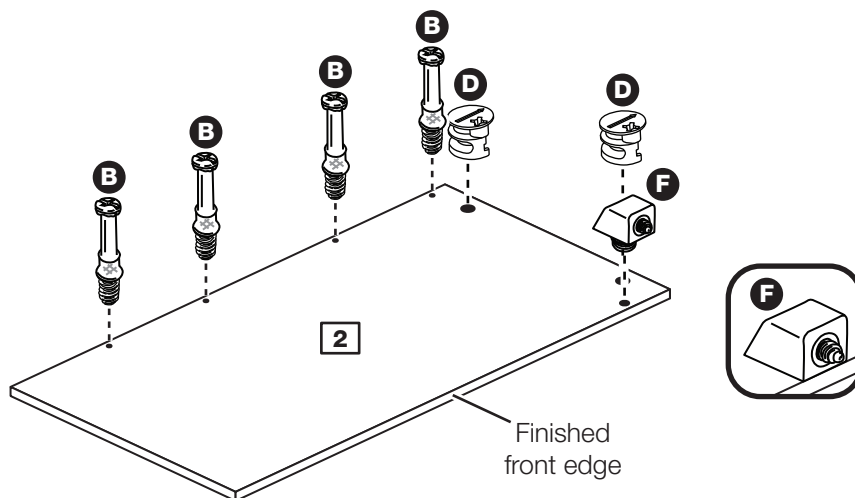
Step 9

Prepare the right side

Screw 4 metal dowels **B** into the right side **2**.

Insert 2 large locking nuts **D** into the right side **2**.

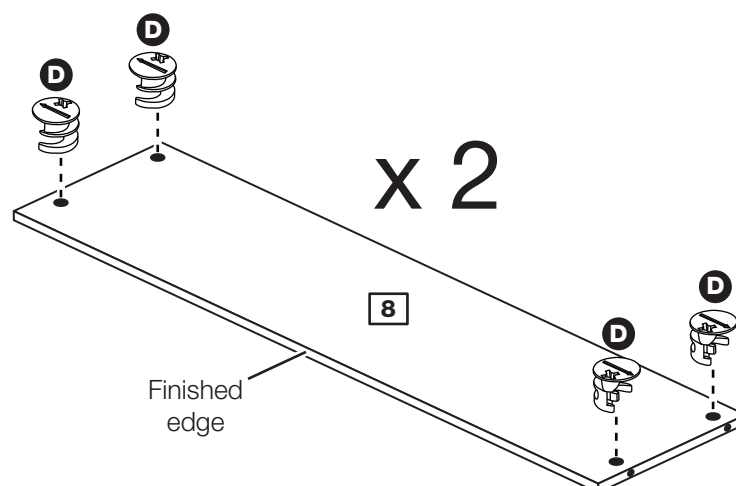
Gently tap a mini block **F** into the right side **2**, orientated as shown.



Step 10

Prepare the 2 modesty panels

Insert 4 large locking nuts **D** into each of the 2 modesty panels **8**.



Assembly Instructions

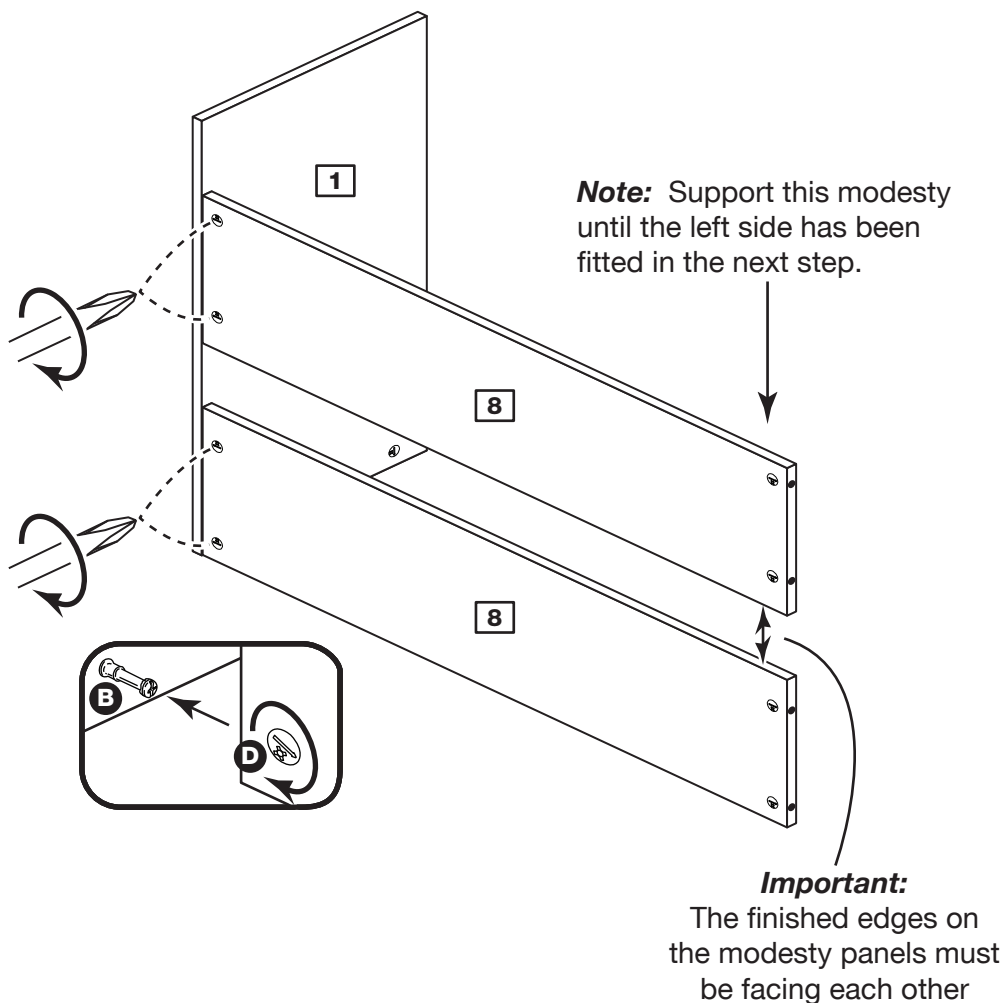
Step 11

Join the 2 modesty panels to the left side

Push the 2 modesty panels **8** onto the left side **1**.

Use a screwdriver to tighten the 2 large locking nuts **D** fitted to each modesty **8**.

Note: Turn the large locking nuts **D** as far as they will go - more than 1/2 a turn.

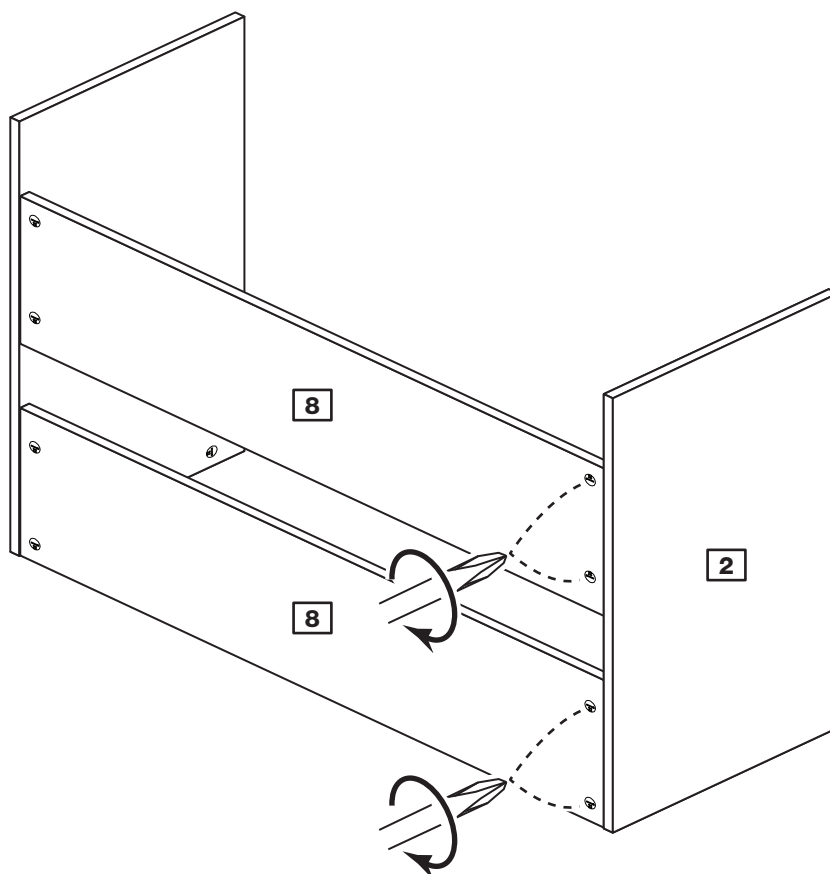


Step 12

Fit the right side

Push the right side **2** into the 2 modesty panels **8**.

Use a screwdriver to tighten the 2 large locking nuts **D** fitted to each modesty **8**.



Assembly Instructions

Step 13

Prepare the left upright

a: Place a runner **J** on the left upright **3** as shown. Slide back the top of runner and use the 2nd hole from the front to fit the 1st screw **H**.

b: Slide the runner **J** back the other way and fit the 2nd screw **H** into the corresponding hole in the left upright **3**.

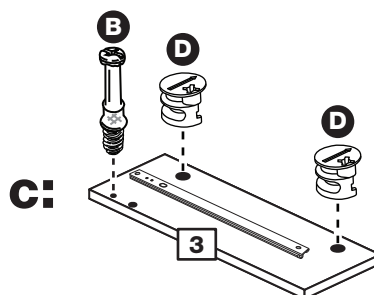
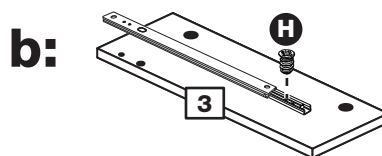
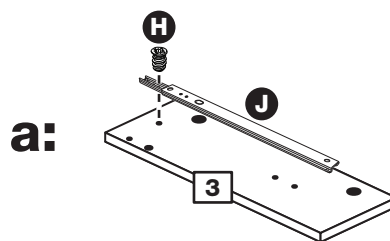
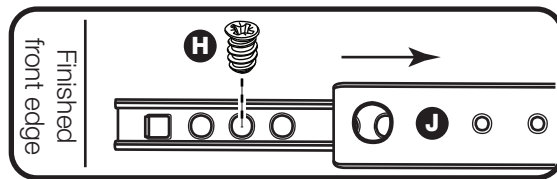
c: Screw a metal dowel **B** into the left upright **3**.

Insert 2 large locking nuts **D** into the left upright **3**.

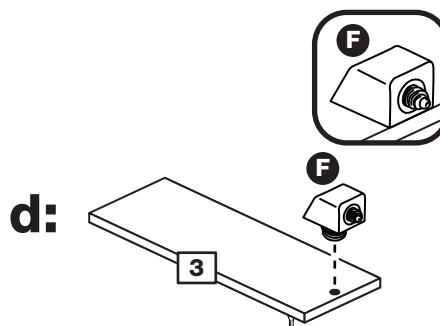
Note: The arrow on the locking nuts **must** point towards the hole in the edge of the panel.

Turn the left upright over

d: Gently tap a mini block **F** into the left upright **3**, orientated as shown.



Turn the left upright over



Assembly Instructions

Step 14

Prepare the right upright

a: Place a runner **J** on the right upright **4** as shown. Slide back the top of runner and use the 2nd hole from the front to fit the 1st screw **H**.

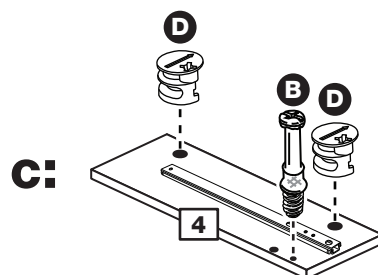
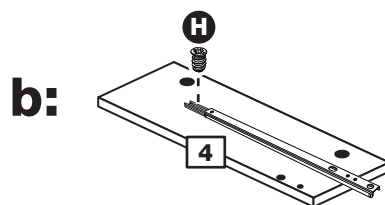
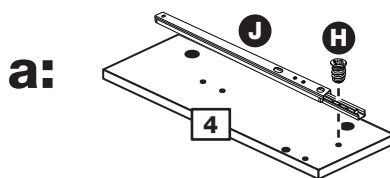
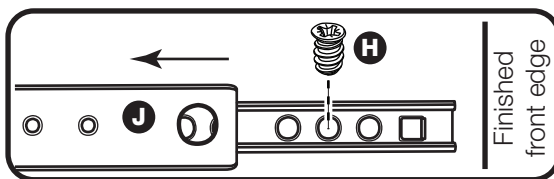
b: Slide the runner **J** back the other way and fit the 2nd screw **H** into the corresponding hole in the right upright **4**.

c: Screw a metal dowel **B** into the right upright **4**.

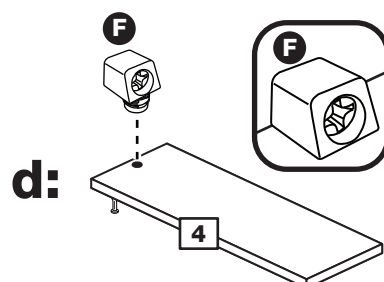
Insert 2 large locking nuts **D** into the right upright **4**.

Turn the right upright over

d: Gently tap a mini block **F** into the left upright **4**, orientated as shown.



Turn the right upright over



Assembly Instructions

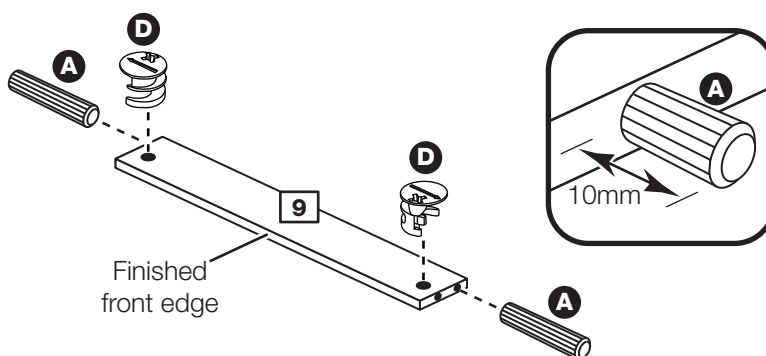
Step 15

Prepare the rail

Insert 2 large locking nuts **D** into the rail **9**.

Tap 2 wooden dowels **A** into the rail **9**.

Note: Wooden dowels **must not** stick out from the edge by more than 10mm or they may damage other panels.

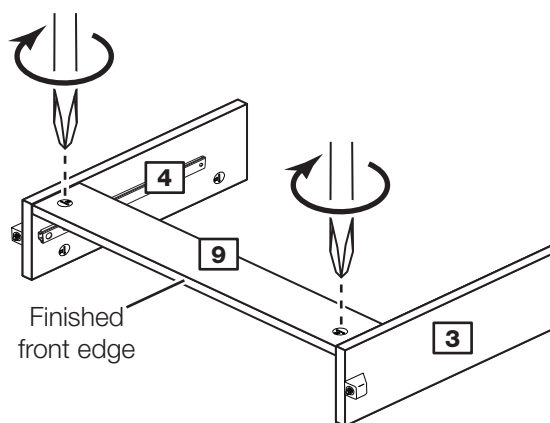


Step 16

Join the rail to the uprights

Push the left upright **3** and the right upright **4** into the rail **9**.

Use a screwdriver to tighten the 2 large locking nuts **D** fitted to the rail **9**.

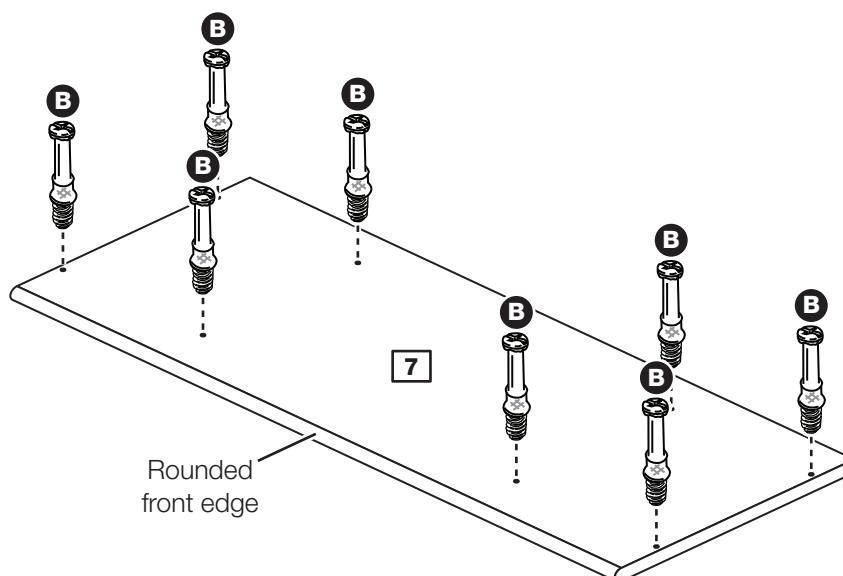


Step 17

Prepare the top

Screw 8 metal dowels **B** into the top **7**.

Note: Tighten the metal dowels up fully against the panels.



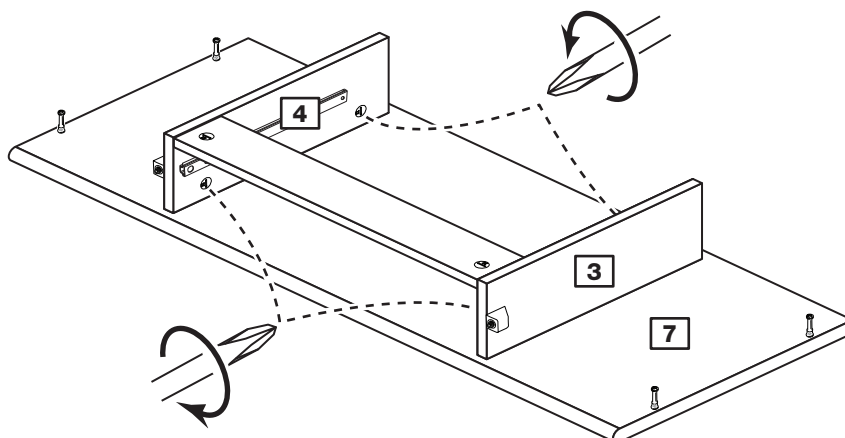
Assembly Instructions

Step 18

Fit the uprights to the top

Lower the left upright **3** and right upright **4** down onto the top **7**.

Use a screwdriver to tighten the 4 large locking nuts **D** fitted to the uprights **3** and **4**.

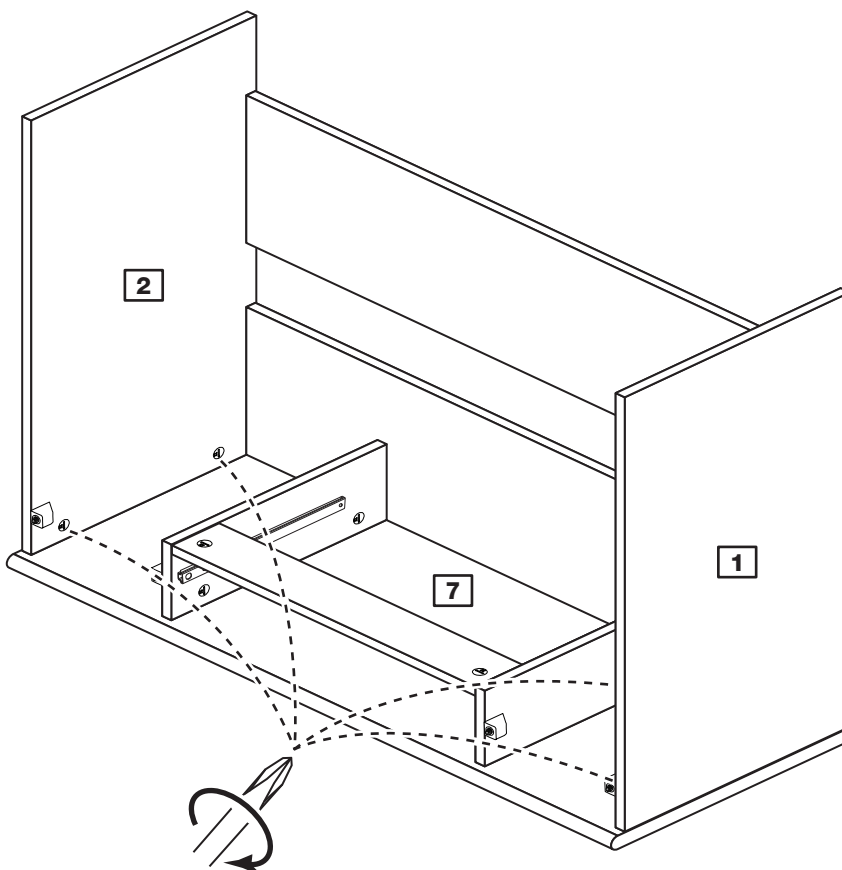


Step 19

Fit the sides to the top

Lower the left side **1** and right side **2** down onto the top **7**.

Use a screwdriver to tighten the 4 large locking nuts **D** fitted to the left side **1** and right side **2**.



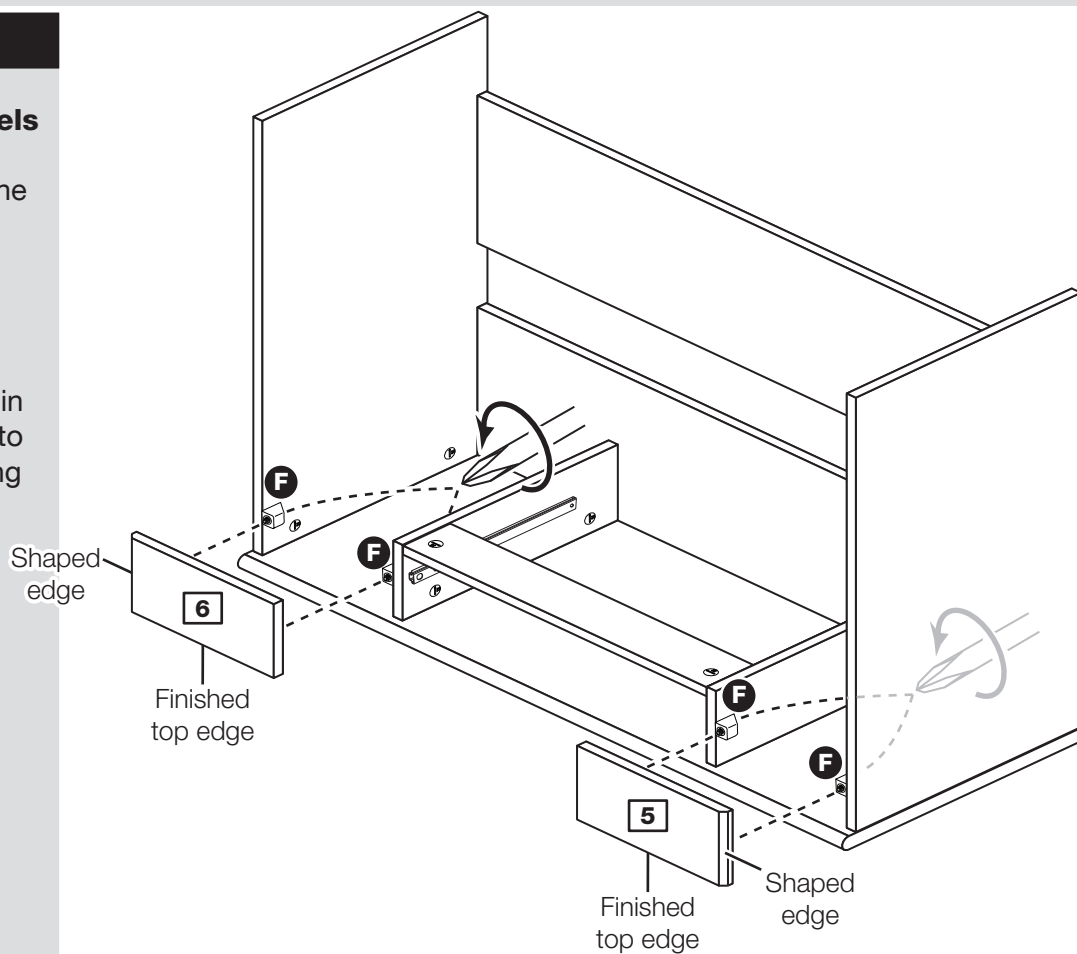
Assembly Instructions

Step 20

Fit the blanking panels

Position the holes on the back surface of each blanking panel **5** and **6** over the screws on the mini blocks **F**.

Tighten up the screws in the 4 mini blocks **F** into the holes in the blanking panels **5** and **6**.



Step 21

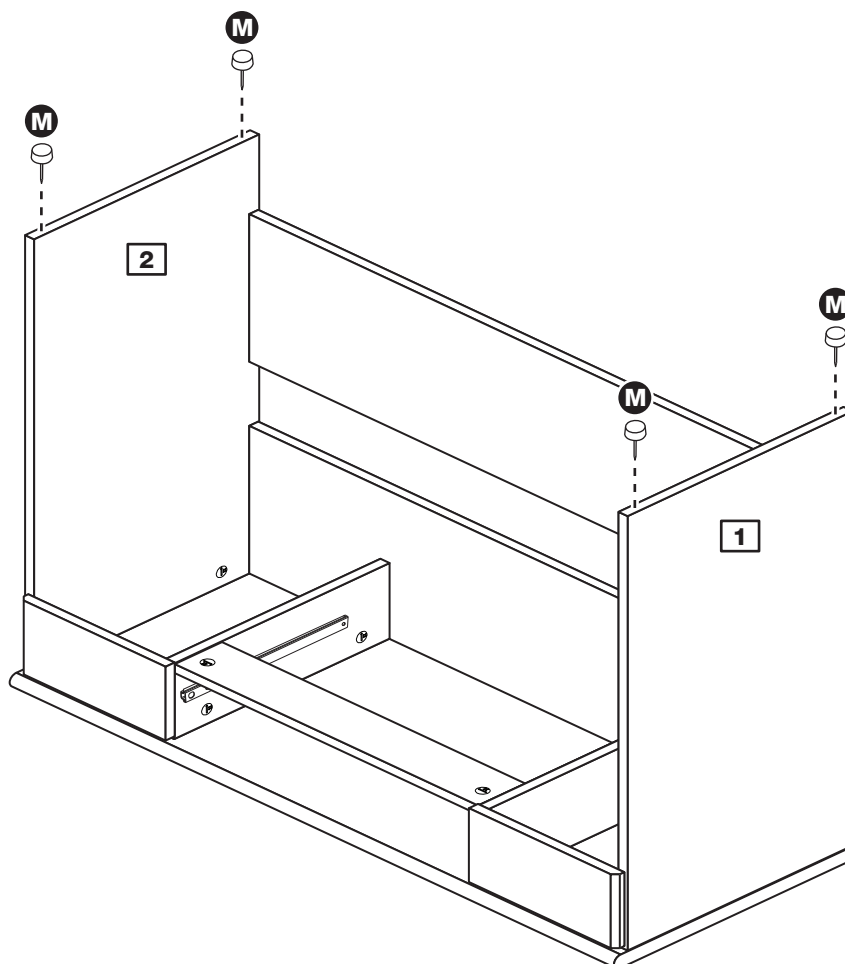
Fit the 4 plastic nails

Tap 2 plastic nails **M** into the bottom edge of each of the sides **1** and **2**.

Carefully stand the unit up for the next step.



Warning: The unit is heavy. Lift with care.



Assembly Instructions

Step 22

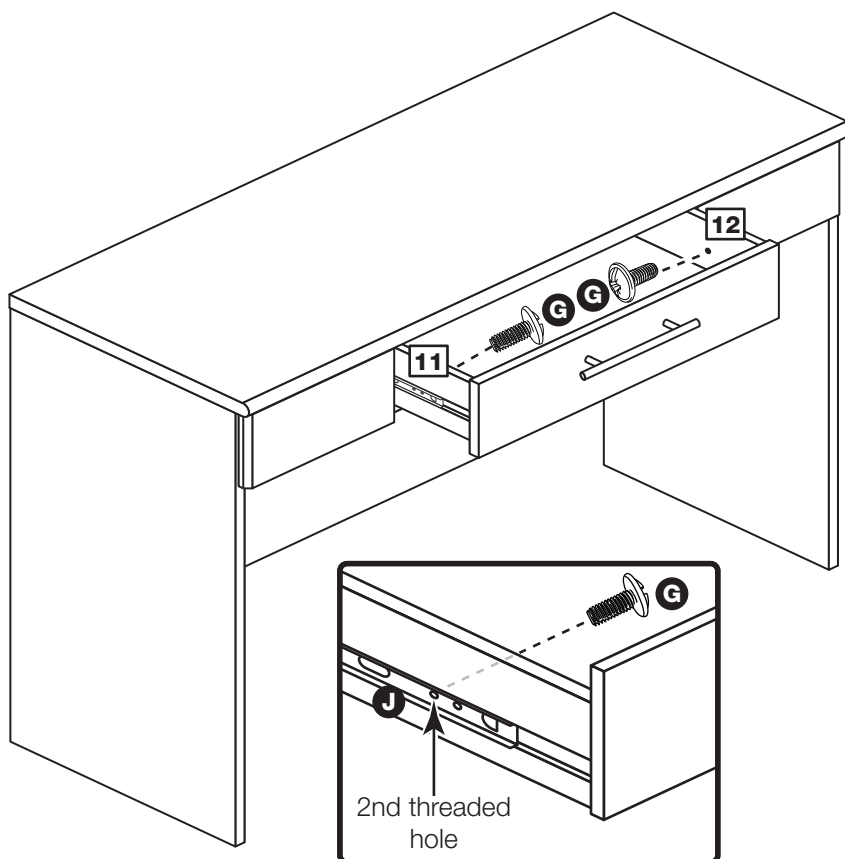
Fit the drawers

Starting with the bottom drawer, slide both the runners **J** forward and locate the drawer sides **11** and **12** between them, lining up the holes in the drawer wrap with the 2nd 'threaded' holes in the runners **J**.

Working from the inside of the drawer, insert 2 screws **G** through the drawer sides and out into the 2nd threaded hole in the runner.

Note: Do not overtighten the screws **G**. If they catch on the runner you may need to loosen them slightly.

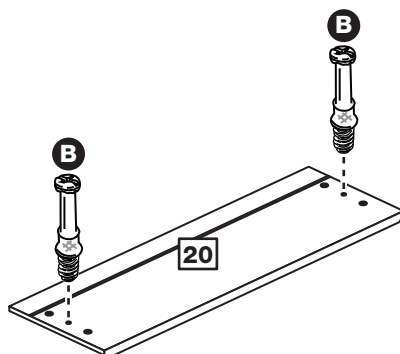
The dressing table assembly is complete



Step 23

Prepare the stool drawer front

Screw 2 metal dowels **B** into the stool drawer front **20**.



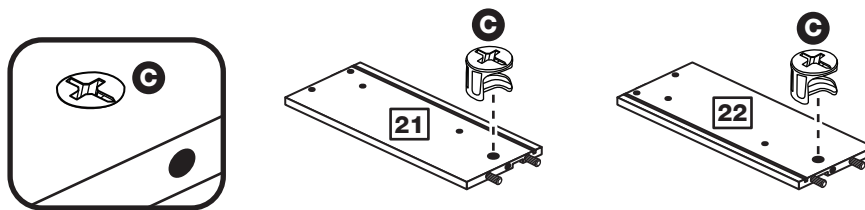
Assembly Instructions

Step 24

Prepare the stool drawer sides

Insert a small locking nut **C** into the hole shown on the stool left drawer side **21** and stool right drawer side **22**.

Note: Arrow on locking nut **must** point towards hole in edge of panel.

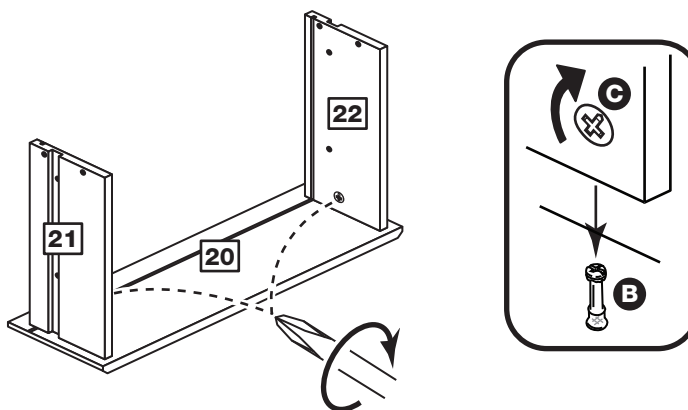


Step 25

Attach the stool drawer sides to the stool drawer front

Push the stool left drawer side **21** and stool right drawer side **22** onto the back of the stool drawer front **20**.

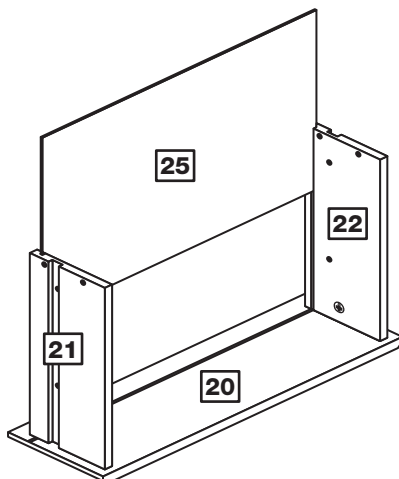
Turn the small locking nuts **C** on the stool left drawer side **21** and stool right drawer side **22**.



Step 26

Fit the stool drawer base

Slide the stool drawer base **25** down the grooves in the stool drawer sides **21** and **22** and down into the groove in the stool drawer front **20**.



Assembly Instructions

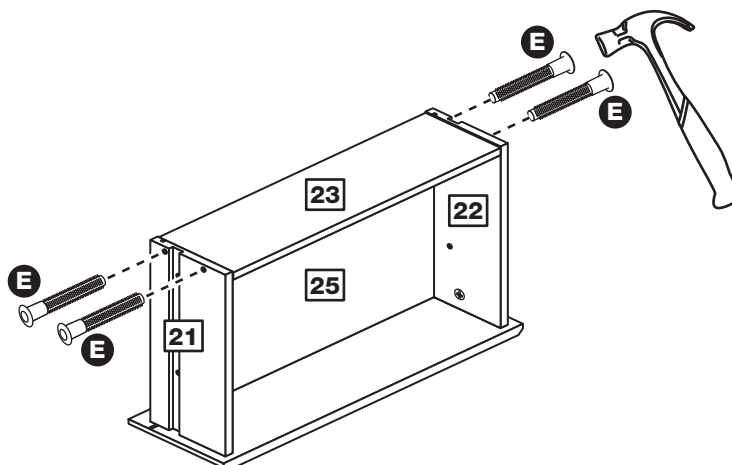
Step 27

Fit the stool drawer back

Fit the stool drawer back **23** down onto the stool drawer base **25**.

Make sure that the stool drawer base **25** fits into the groove in the stool drawer back **23**.

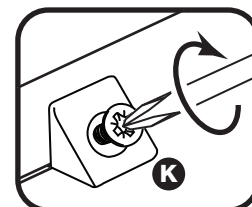
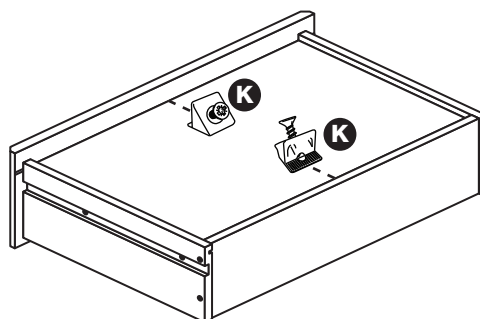
Hold the stool drawer back **23** in position and tap the knock-in pegs **E** through the holes in the stool drawer sides **21** and **22**.



Step 28

Fit the wedgexes

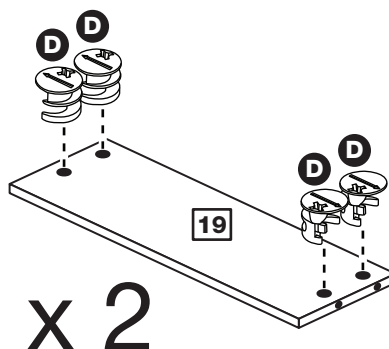
Turn the drawer assembly over and slide 2 wedgexes **K** into the front and back grooves, as shown, and tighten up the screws.



Step 29

Prepare the stool rails

Insert 4 large locking nuts **D** into each of the stool rails **19**.



Assembly Instructions

Step 30

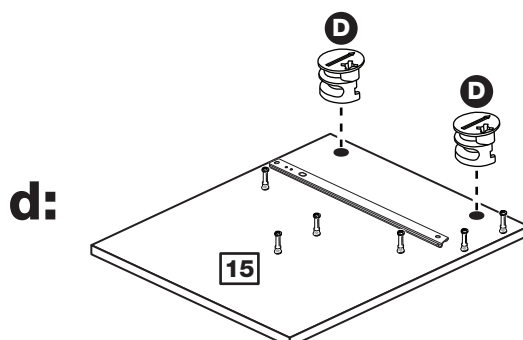
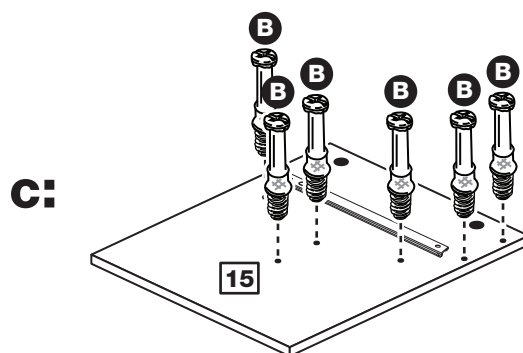
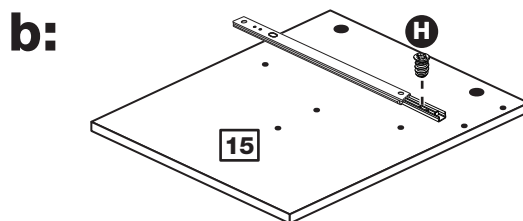
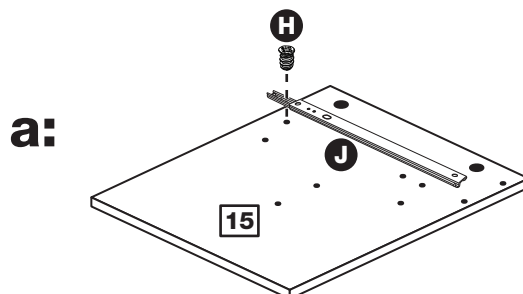
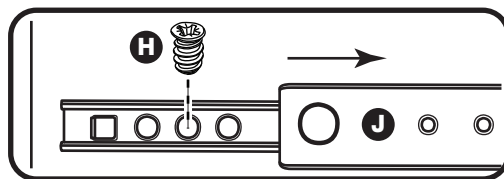
Prepare the stool left side

a: Place a runner **J** onto the stool left side **15**. Slide back the top of runner and use the 2nd hole from the front to fit the 1st screw **H**.

b: Slide the runner **J** back the other way and fit the 2nd screw **H** into the corresponding hole in the stool left side **15**.

c: Screw 6 metal dowels **B** into the stool left side **15**.

Insert 2 large locking nuts **D** into the stool left side **15**.



Assembly Instructions

Step 31

Prepare the stool right side

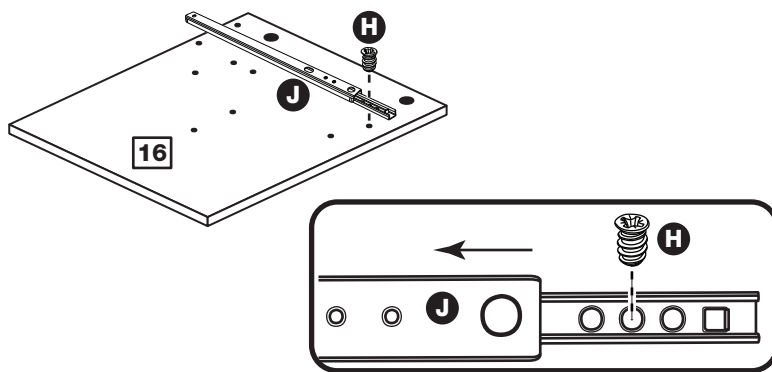
a: Place a runner **J** onto the stool right side **16**. Slide back the top of runner and use the 2nd hole from the front to fit the 1st screw **H**.

b: Slide the runner **J** back the other way and fit the 2nd screw **H** into the corresponding hole in the stool right side **16**.

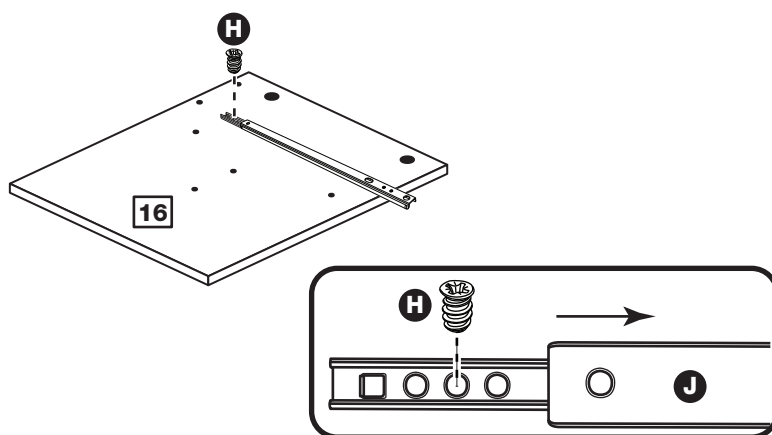
c: Screw 6 metal dowels **B** into the stool right side **16**.

Insert 2 large locking nuts **D** into the stool right side **16**.

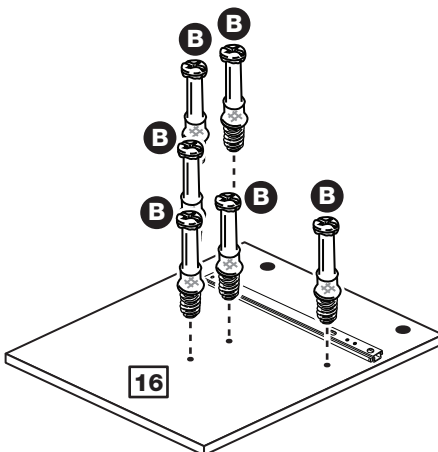
a:



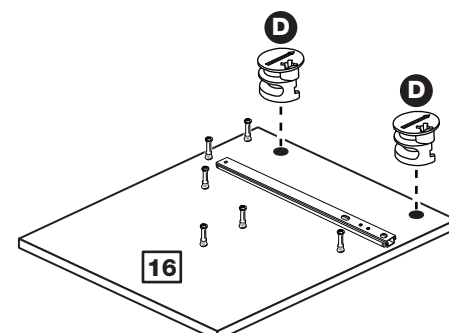
b:



c:



d:



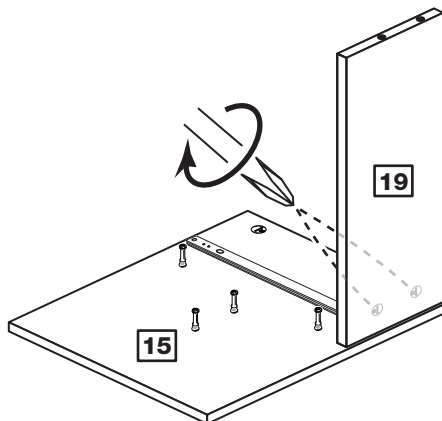
Assembly Instructions

Step 32

Fit a stool rail to the stool left side

Push a stool rail **19** onto the stool left side **15**.

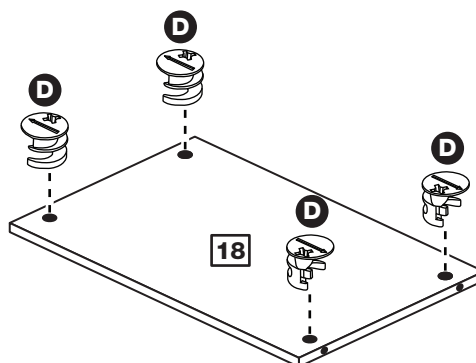
Use a screwdriver to tighten the 2 large locking nuts **D** fitted to the stool rail **19**.



Step 33

Prepare the stool base

Insert 4 large locking nuts **D** into the stool base **18**.

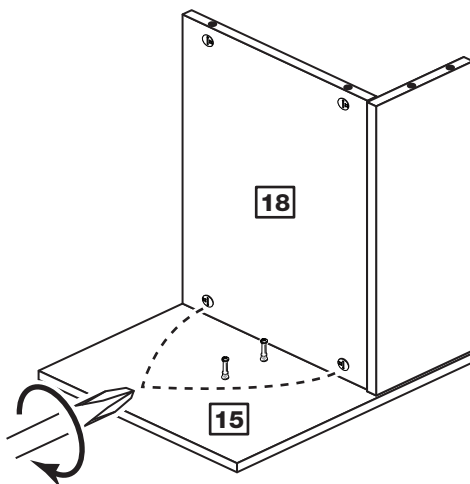


Step 34

Fit the stool base

Push the stool base **18** onto the stool left side **15**.

Use a screwdriver to tighten the 2 large locking nuts **D** fitted to the stool base **18**.



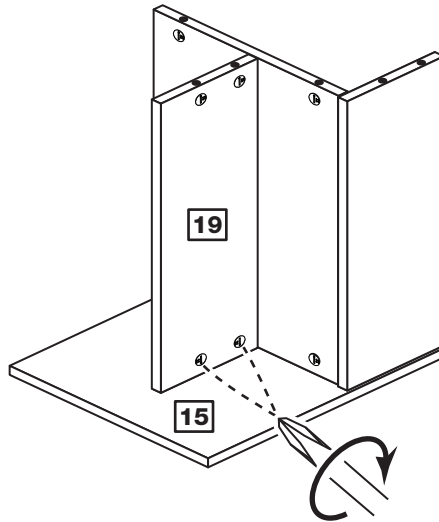
Assembly Instructions

Step 35

Fit the other stool rail

Push the other stool rail **19** onto the stool left side **15**.

Use a screwdriver to tighten the 2 large locking nuts **D** fitted to the stool rail **19**.

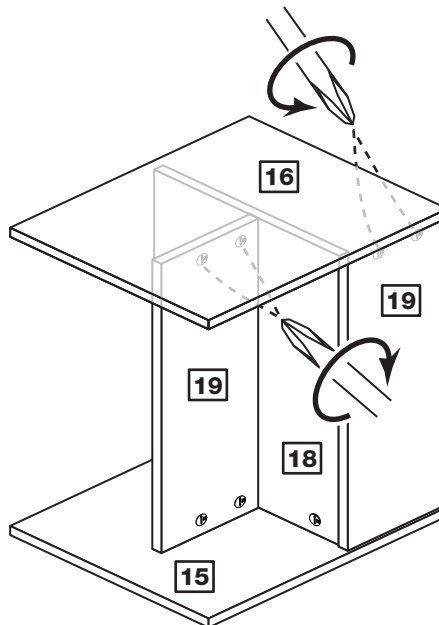


Step 36

Fit the stool right side

Push the stool right side **16** onto the stool base **18** and the 2 stool rails **19**.

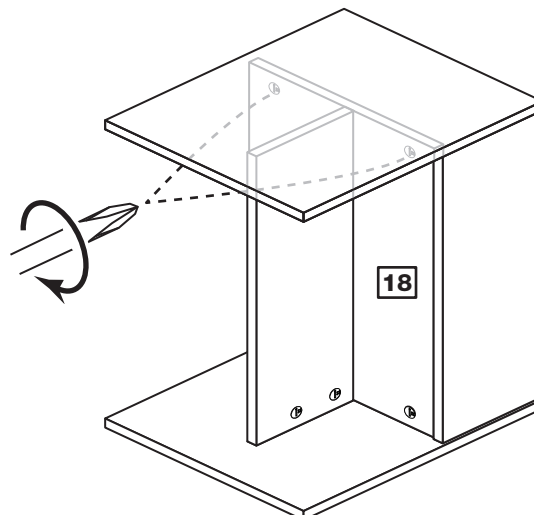
Use a screwdriver to tighten the 2 large locking nuts **D** fitted to each of the stool rails **19**.



Step 37

Secure the stool base

Use a screwdriver to tighten the 2 large locking nuts **D** fitted to the stool base **18**.



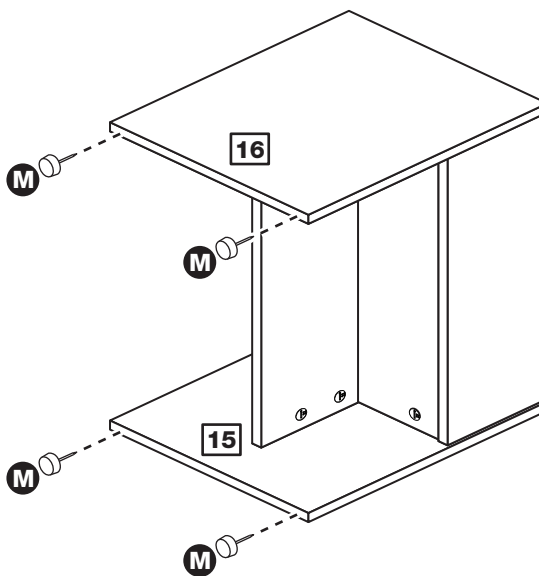
Assembly Instructions

Step 38

Fit the 4 plastic nails

Tap 2 plastic nails **M** into the bottom edge of each of the stool sides **15** and **16**.

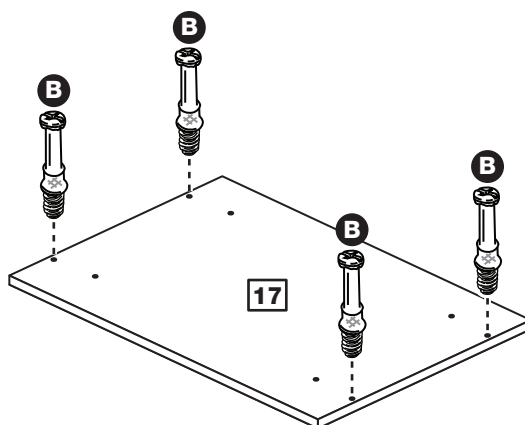
Stand the stool up for the next step.



Step 39

Prepare the stool top

Screw 4 metal dowels **B** into the stool top **17**.

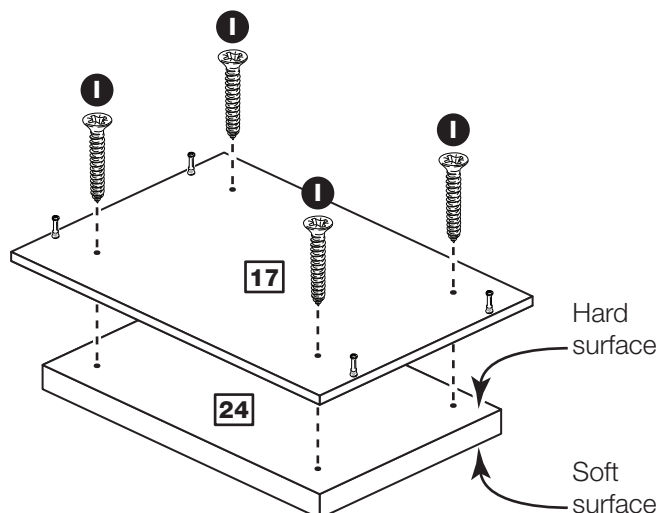


Step 40

Fit the stool seat pad

Fit the stool seat pad **24** to the stool top **17** using 4 screws **I**.

Note: Make sure that it is fitted centrally and you screw into the hard surface of the stool seat pad.



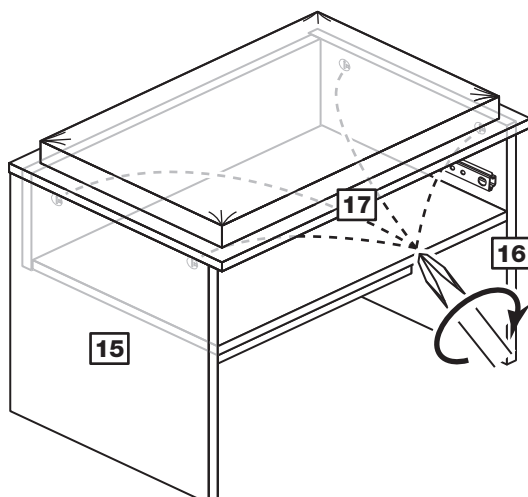
Assembly Instructions

Step 41

Fit the stool top

Lower the stool top **17** down onto the assembly.

Use a screwdriver to tighten the 4 large locking nuts **D** fitted to the stool left side **15** and stool right side **16**.



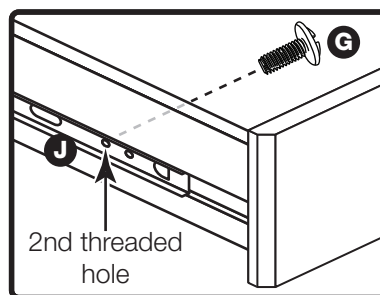
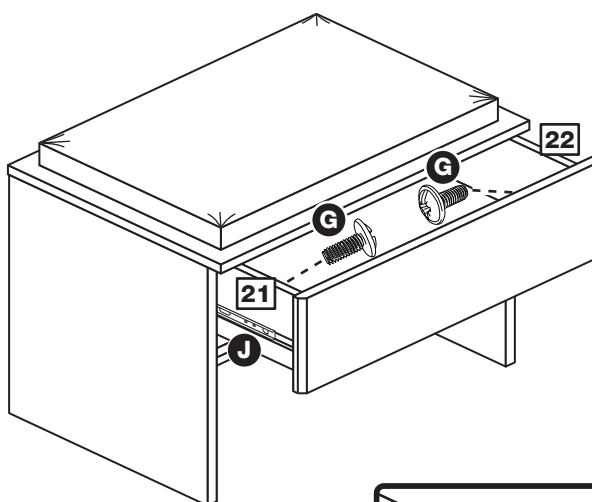
Step 42

Fit the stool drawer

Slide both the runners **J** forward and locate the drawer sides **21** and **22** between them, lining up the holes in the drawer sides with the 2nd 'threaded' holes in the runners **J**.

Working from the inside of the drawer, insert 2 screws **G** through the drawer sides and out into the 2nd threaded hole in the runner.

Note: Do not overtighten the screws **G**. If they catch on the runner you may need to loosen them slightly.



Assembly Instructions

Step 43

Fit the overbalance protector

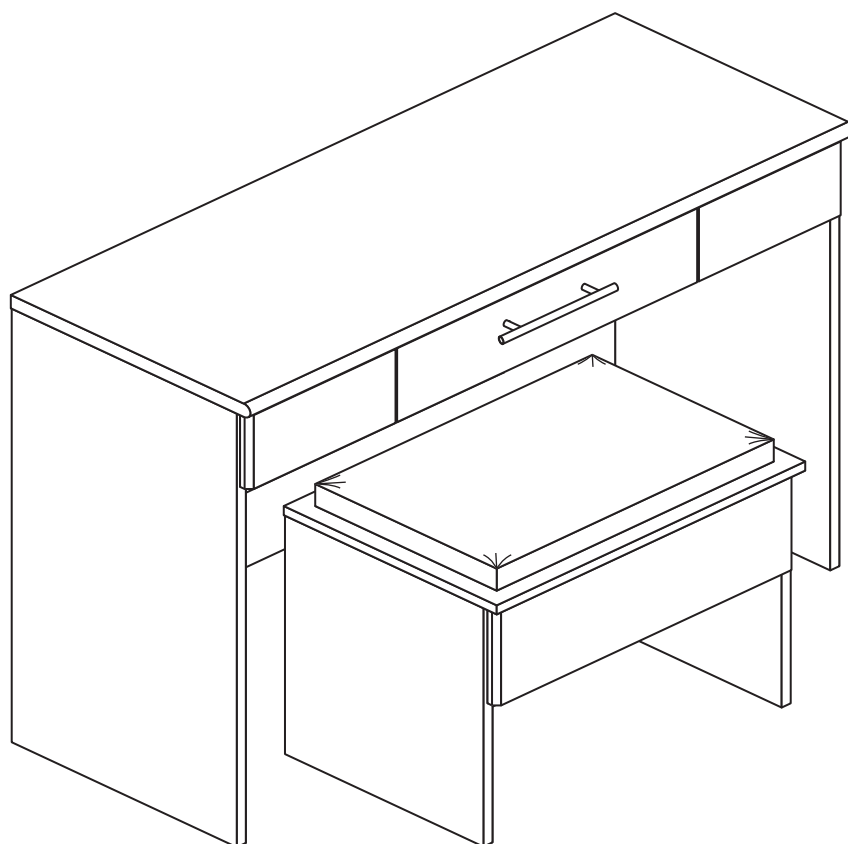
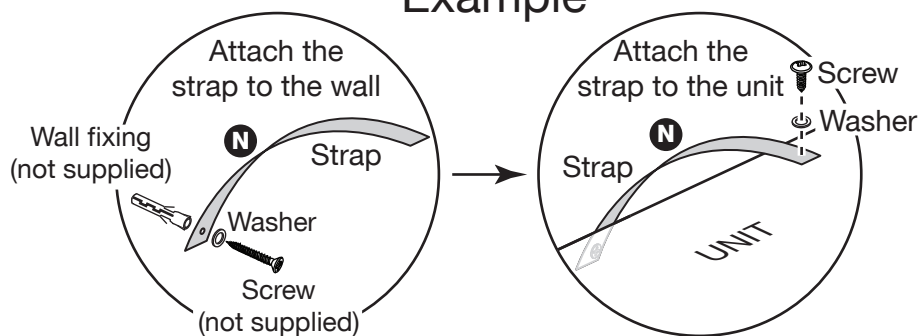
To prevent possible overbalancing we recommend that the dressing table is secured to a suitable wall by use of the overbalance protector kit **N** fitted to the unit or, an alternative fixing method of your choice.

Wall fixings are not supplied as they will need to suit the wall type.

Note: Take care when drilling the wall that you do not drill into any pipes, wires etc. If in doubt, consult an expert.

Assembly is complete

Example



If you need help or have damaged or missing parts, call the Customer Helpline: 03456 400800 and quote the reference numbers on the component pages.

Argos Ltd, 489-499 Avebury Boulevard, Central Milton Keynes, MK9 2NW

