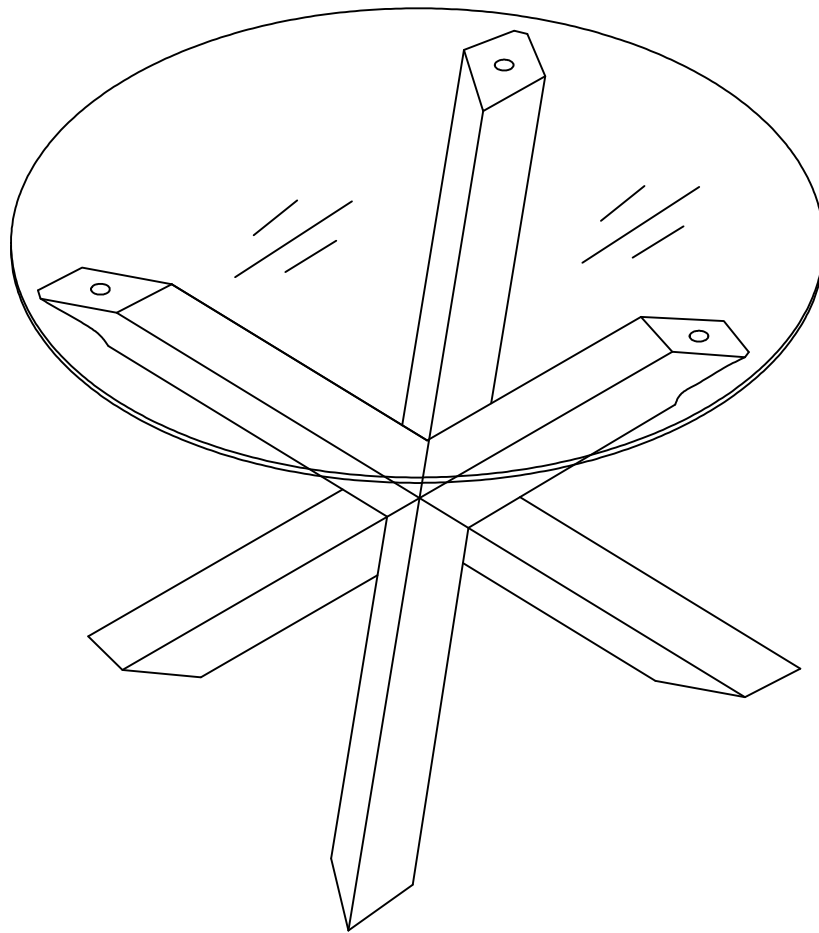


Oakington Dining Table

Assembly Instructions - Please keep for future reference

323/5171



Dimensions

Diameter - 122cm
Height - 74.5cm

Important - Please read these instructions fully before starting assembly

If you need help or have damaged or missing parts, call the **Customer Helpline: 0345 6400 800**



Safety and Care Advice

Important – Please read these instructions fully before starting assembly

- Check you have all the components and tools listed on the following pages.
- Remove all fittings from the plastic bags and separate them into their groups.
- Keep children and animals away from the work area, small parts could choke if swallowed.
- Make sure you have enough space to layout the parts before starting.

- During assembly do not stand or put weight on the product, this could cause damage.
- Assemble the item as close to its final position (in the same room) as possible.
- Assemble on a soft level surface to avoid damaging the unit or your floor.
- Parts of the assembly will be easier with 2 people.



- To reduce the likelihood of damaging your product please ensure that your power drill is set on a low torque setting.

Glass safety

- This product complies with BS EN 12521: 2009.
- Imported by:
Argos LTD
489-499 Avebury Boulevard
Central Milton Keynes
MK9 2NW
- Product stock ref: 323/5171
- P/O No: 54398220141011
- If the glass is chipped or broken, stop using the product and consult the Manufacturer or Supplier.

Warnings

- Do not place very hot or very cold items on the glass surface(s) unless adequately thick table mats are used to prevent such items from coming into contact with the glass..
- Do not sit or stand upon the glass surface(s).
- Do not use the glass as a chopping surface. Do not strike the glass with hard or pointed items.
- When cleaning glass panels use a damp cloth or leather with washing up liquid or soft soap if necessary, do not use washing powders or any other substance containing abrasives since these substances scratch glass.

Care and maintenance

- Only clean using a damp cloth and mild detergent, do not use bleach or abrasive cleaners.
- From time to time check that there are no loose screws on this unit.
- This product should not be discarded with household waste. Take to your local authority waste disposal centre.

Handy Hint

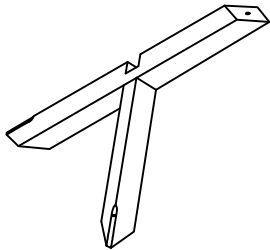
- Assemble all parts and bolts loosely during assembly , only once the product is complete should you fully tighten the bolts
- Regularly check and ensure that all bolts and fittings are tightend properly .

Note: if required the next page can be cut out and used as reference throughout the assembly. Keep this page with these instructions for future reference.

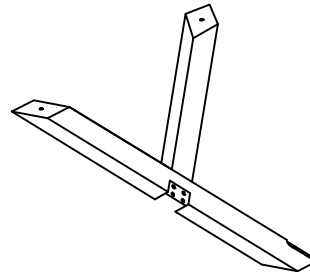
Components - Panels

If you have damaged or missing components, call the
Customer Helpline: Argos = 0345 6400 800

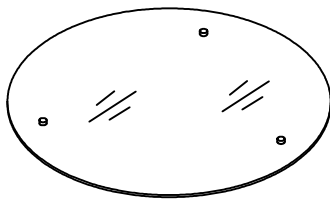
Please check you have all the parts listed below



1 Leg frame (140.8 x 74.4 cm)



2 Leg frame (140.8 x 74.4 cm)



3 Glass top
122 dia x 1 thk (cm)

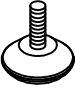
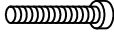


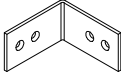
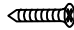



Components - Fittings

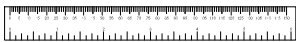
If you have damaged or missing components, call the Customer Helpline: 0345 6400 800

Please check you have all the fittings listed below

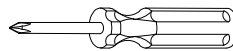
Note: The quantities below are the correct amount to complete the assembly. In some cases more fittings may be supplied than are required.

<p>A</p>  <p>Adjustable foot x 3</p>	<p>B</p>  <p>Ø1/4 x 35mm Bolt x 3</p>	<p>C</p>  <p>Ø1/4 Flat washer x 3</p>
<p>D</p>  <p>Ø1/4 Plastic washer x 3</p>	<p>E</p>  <p>Metal bracket x 2</p>	<p>F</p>  <p>M8 x 30mm Wood screw x 8</p>
<p>G</p>  <p>4mm Allen key x 1</p>		

Tools required

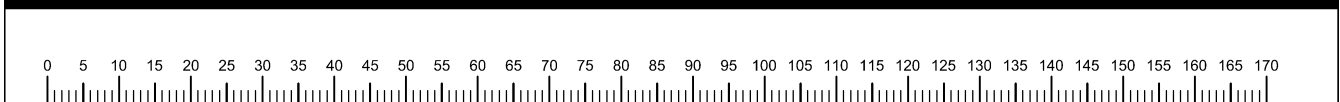


Ruler/tape measure



Phillips screwdriver
(Not supplied)

Ruler - Use this ruler to help correctly identify the screws

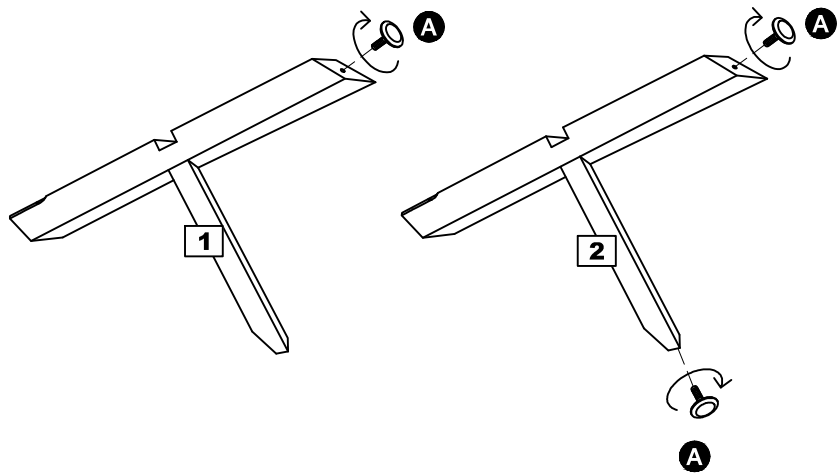


Assembly Instructions

Step 1

Fitting feet

Screw adjustable feet **A** into the ends of leg frames **1** and **2**.

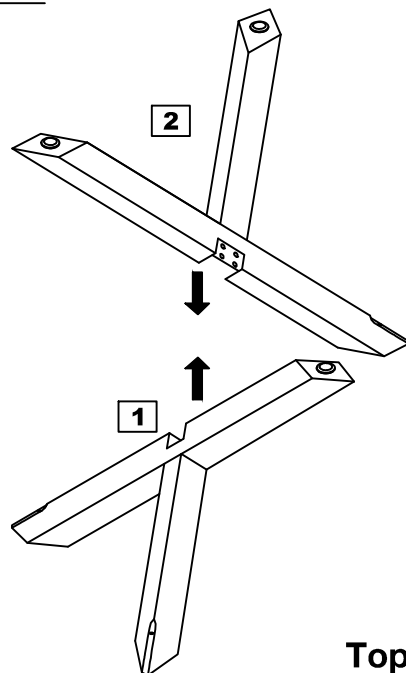


Step 2

Assembling legs

With help, locate leg frames **1** and **2** together as shown.

Bottom



Top

Assembly Instructions

Step 3

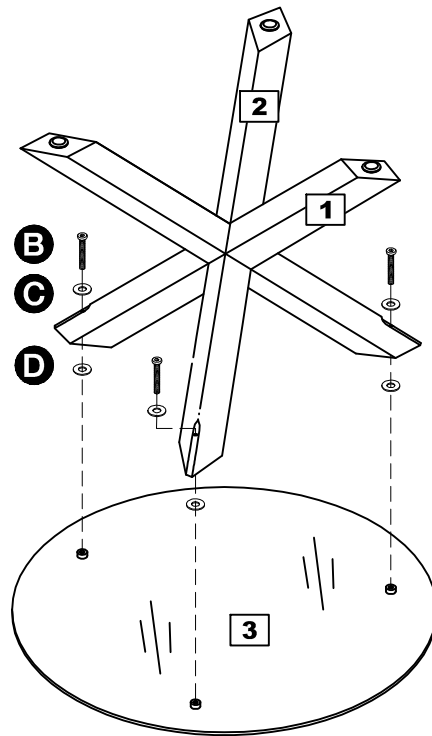
Assembling top

Place glass top **3** upside down onto a clean flat surface.

With help, carefully locate leg frames **1** and **2** into position on the glass top and secure using fixings **B**, **C** and **D**.

Note: Plastic washer **D** is located in between the leg frames and the glass top.

Note: Do not fully tighten at this stage.



Step 4

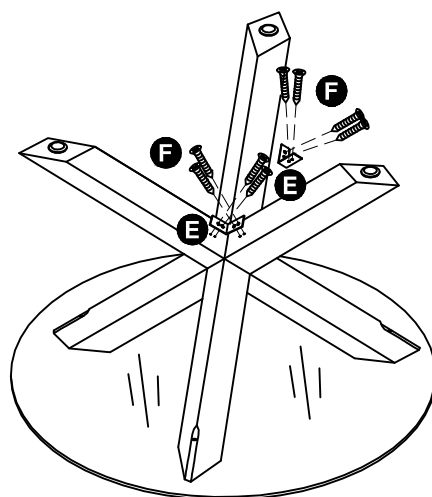
Securing legs

Fit metal brackets **E** into the leg frame joints as shown.

Secure using screws **F**.

Proceed to tighten all other fixings from step 3.


Note: Do not over tighten.



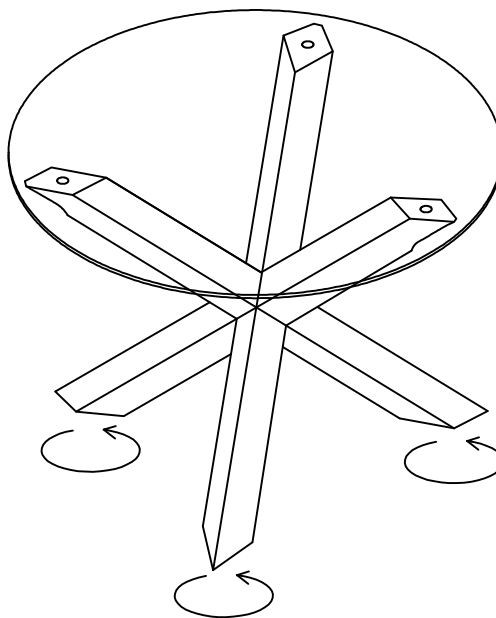
Assembly Instructions

Step 5

Turn the assembled table into the upright position.

 **Warning:** The table is heavy. Lift with care.

Adjust feet **A** to achieve a stable base in the desired location.



Assembly is complete.

If you need help or have damaged or missing parts, call the **Customer Helpline: 0345 6400 800**
Home Retail Group, 489-499 Avebury Boulevard, Saxon Gate West, Central Milton Keynes, MK9 2NW