

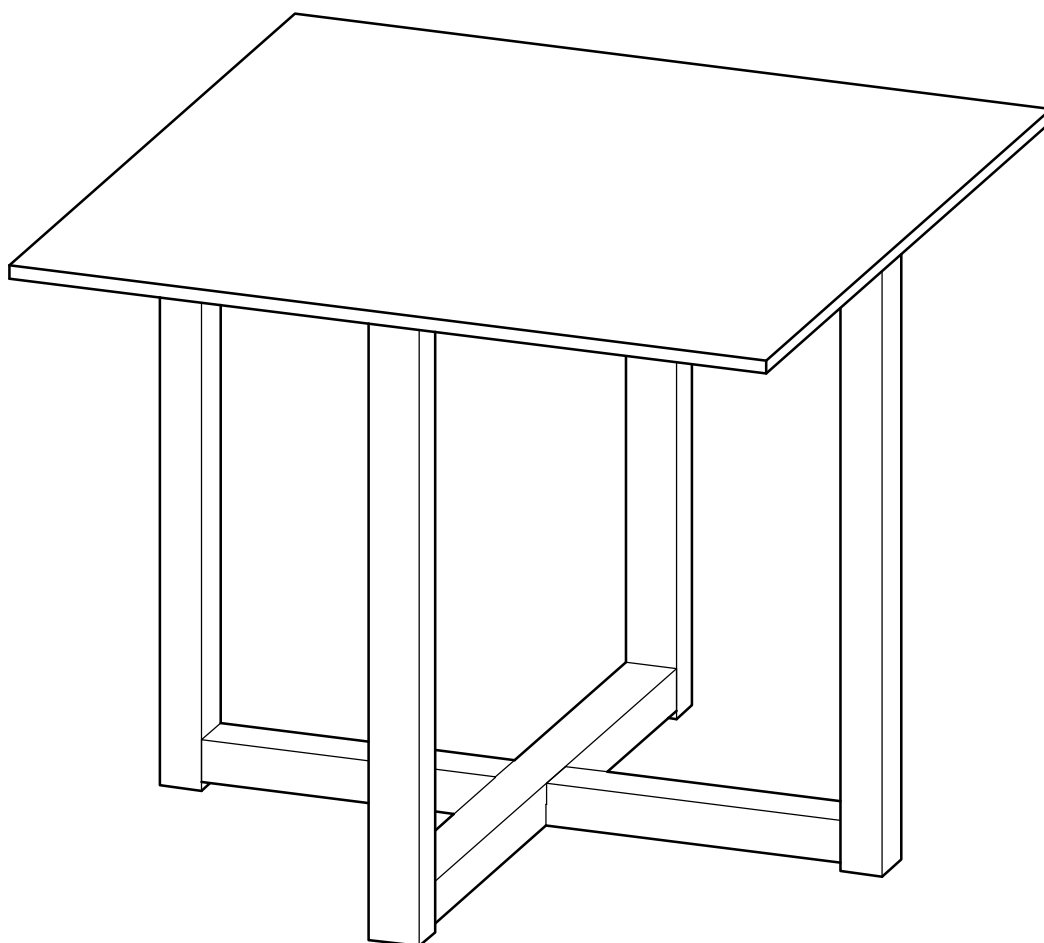
# Wooden Space Saver Square Table

Assembly Instructions - Please keep for future reference

314/9195

323/4550

**hygena**



## Dimensions

Width - 100cm  
Depth - 100cm  
Height - 76cm

**Important – Please read these instructions fully before starting assembly**

If you need help or have damaged or missing parts, call the **Customer Helpline:**  
**Argos = 0345 6400800**



# Safety and Care Advice

**Important – Please read these instructions fully before starting assembly**

- Check you have all the components and tools listed on the following pages.
- Remove all fittings from the plastic bags and separate them into their groups.
- Keep children and animals away from the work area, small parts could choke if swallowed.
- Make sure you have enough space to layout the parts before starting.

- During assembly do not stand or put weight on the product, this could cause damage.
- Assemble the item as close to its final position (in the same room) as possible.
- Assemble on a soft level surface to avoid damaging the unit or your floor.
- Parts of the assembly will be easier with 2 people.



- To reduce the likelihood of damaging your product please ensure that your power drill is set on a low torque setting.

## Care and maintenance

- Only clean using a damp cloth and mild detergent, do not use bleach or abrasive cleaners.
- From time to time check that there are no loose screws on this unit.
- This product should not be discarded with household waste. Take to your local authority waste disposal centre.

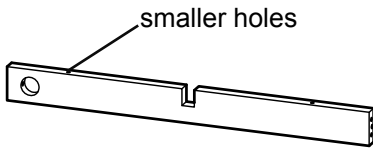
## Handy Hints

- Assemble all parts and bolts loosely during assembly, only once the product is complete should you fully tighten the bolts
- Regularly check and ensure that all bolts and fittings are tightened properly.

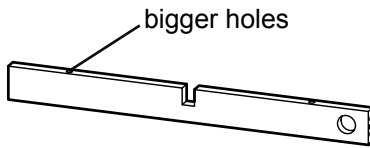
# Components - Panels

If you have damaged or missing components, call the Customer Helpline: Argos = 0345 6400800

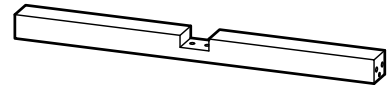
Please check you have all the panels listed below



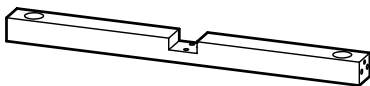
**1** Upper supporting bar  
(83 x 7cm)



**2** Upper supporting bar  
(83 x 7cm)



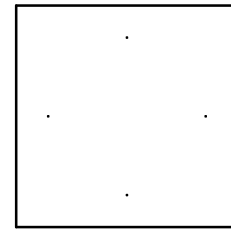
**3** Leg supporting bar  
(83 x 6.4cm)



**4** Leg supporting bar  
(83 x 6.4cm)



**5** Table leg x 4  
(74.5 x 6.5cm)

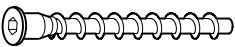
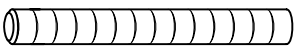





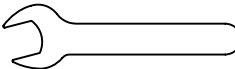



**6** Table top  
(100 x 100cm)

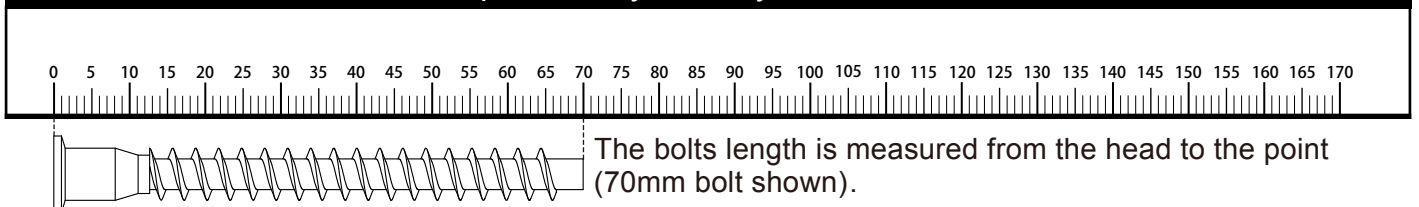
# Components - Fittings

Please check you have all the fittings listed below

**Note:** The quantities below are the correct amount to complete the assembly. In some cases more fittings may be supplied than are required.

<p><b>A</b> </p> <p>70mm Bolt x 4</p>	<p><b>B</b> </p> <p>80mm Screw x 8</p>	<p><b>C</b> </p> <p>Plain washer x 8</p>
<p><b>D</b> </p> <p>Nut X 8</p>	<p><b>E</b> </p> <p>Connector x 8</p>	<p><b>F</b> </p> <p>Cap x 4</p>
<p><b>G</b> </p> <p>Wooden dowel x 18</p>	<p><b>H</b> </p> <p>Wrench X 1</p>	<p><b>I</b> </p> <p>Hex key X 1</p>

**Ruler** - Use this ruler to help correctly identify the screws



# Assembly Instructions

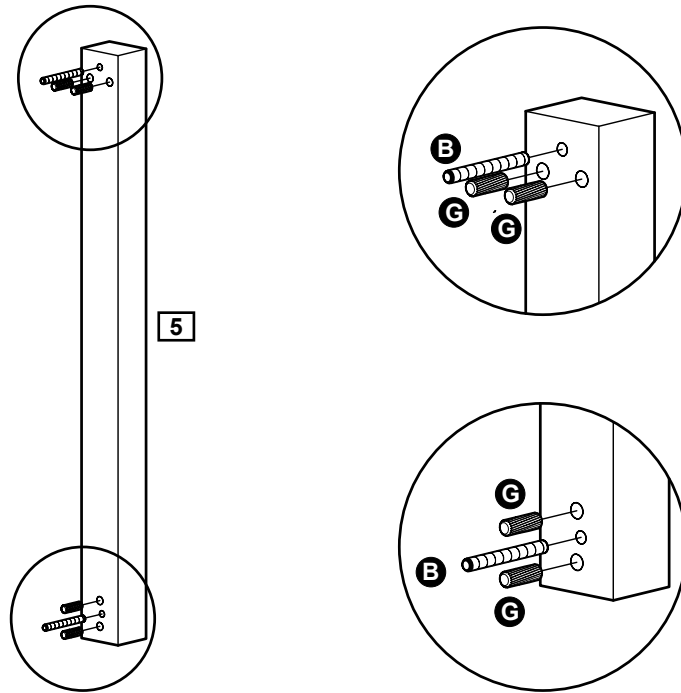
## Step 1

### Assemble leg frame

Two people are needed here.

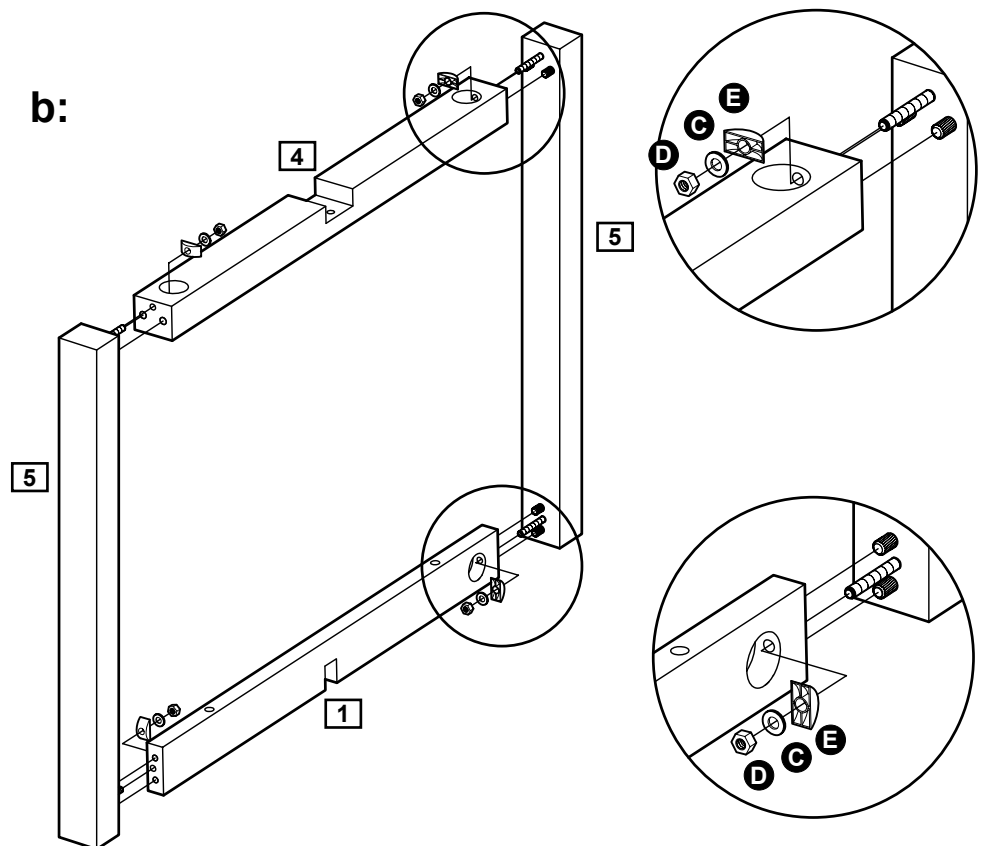
**a:** Fix screws **B** and insert wooden dowels **G** into legs **5** as shown.

**a:**



**b:** Attach leg supporting bar **4** and upper supporting bar **1** to table legs **5**, then fix with connectors **E**, plain washers **C** and nuts **D** as shown.

**b:**



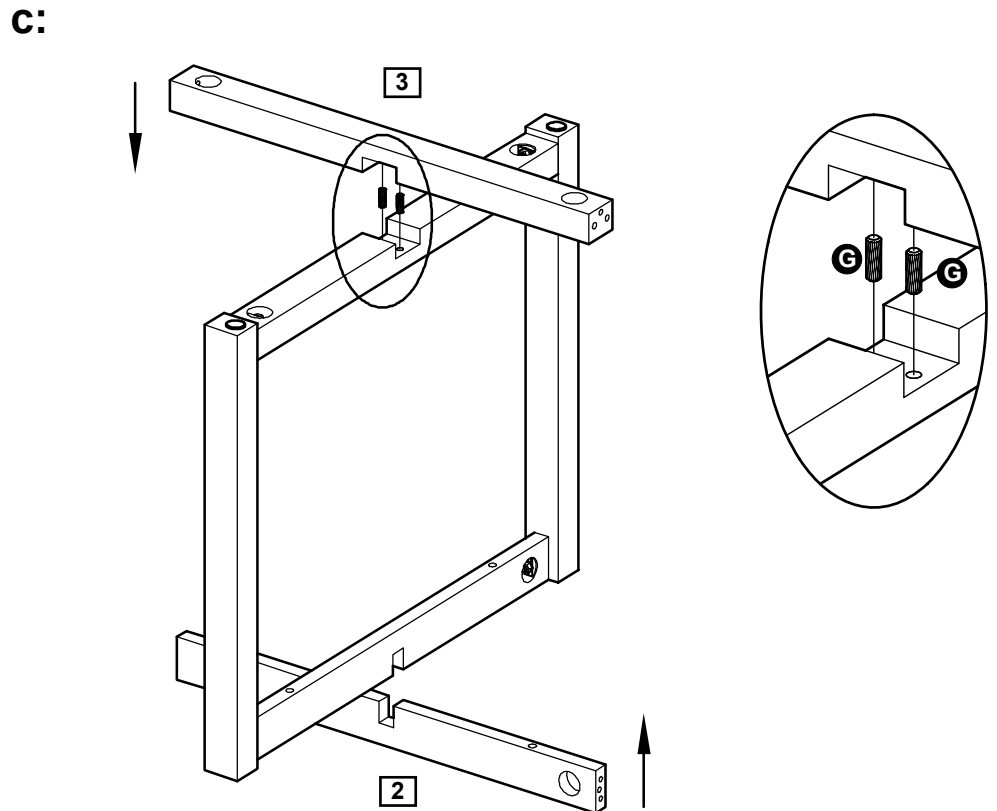
**Important note:** Do not fully tighten bolts at this stage.

# Assembly Instructions

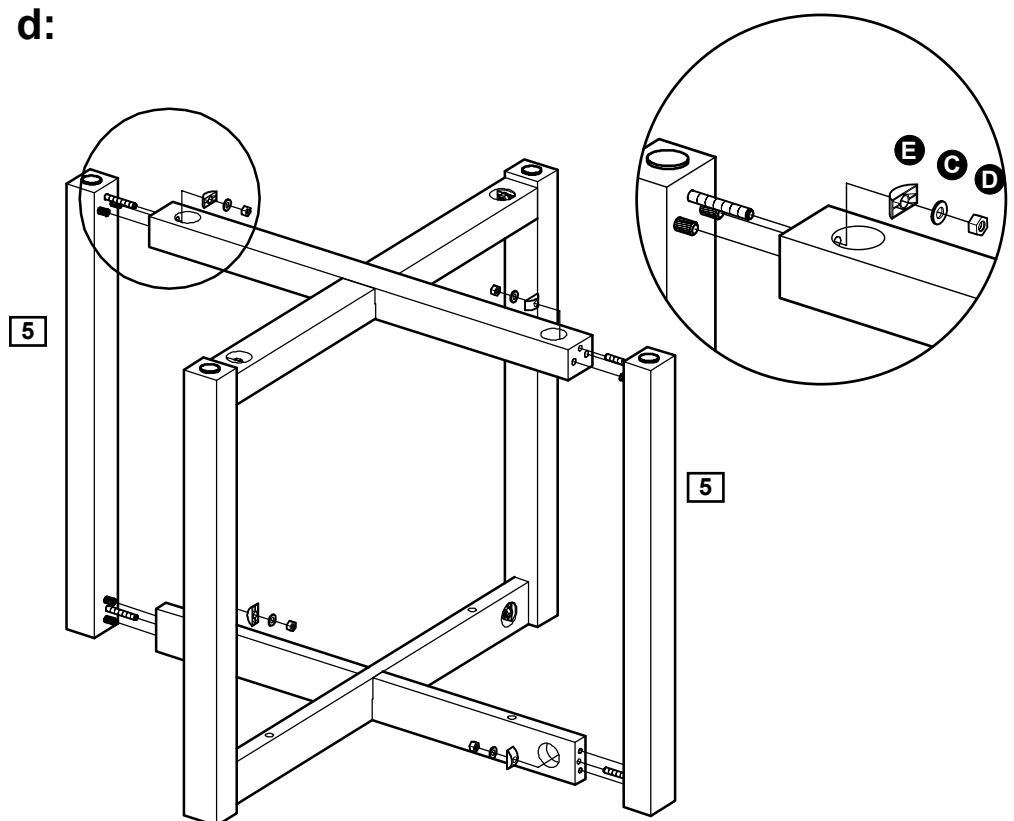
## Step 1 - continued

**c:** Attach leg supporting bar **3** to the assembled unit by using wooden dowels **G** as shown.

Attach upper supporting bar **2** to the assembled unit as shown.



**d:** Attach legs **5** to the assembled unit, then fix with connectors **E**, plain washers **C** and nuts **D**.



**Important note:** Do not fully tighten bolts at this stage.

# Assembly Instructions

## Step 2

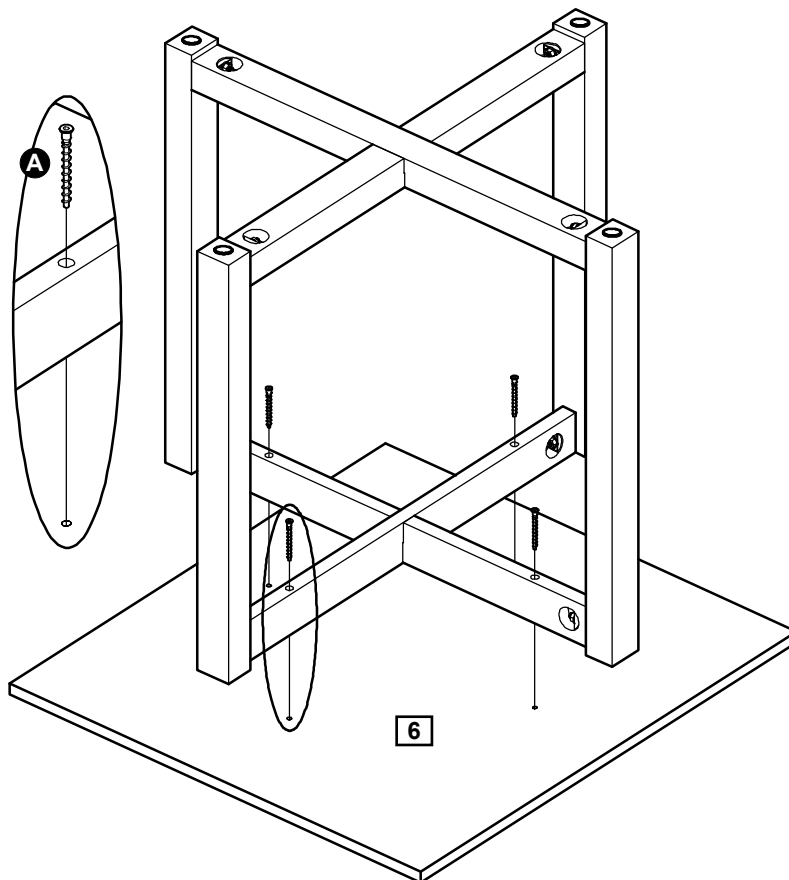
### Assemble table top

Two people are needed here.

Place table top **6** upside down on a clean surface, fix the assembled leg frame onto table top using bolts **A**



**Important note:** After all the parts are positioned, you can now fully tighten all bolts fixed on previous steps.

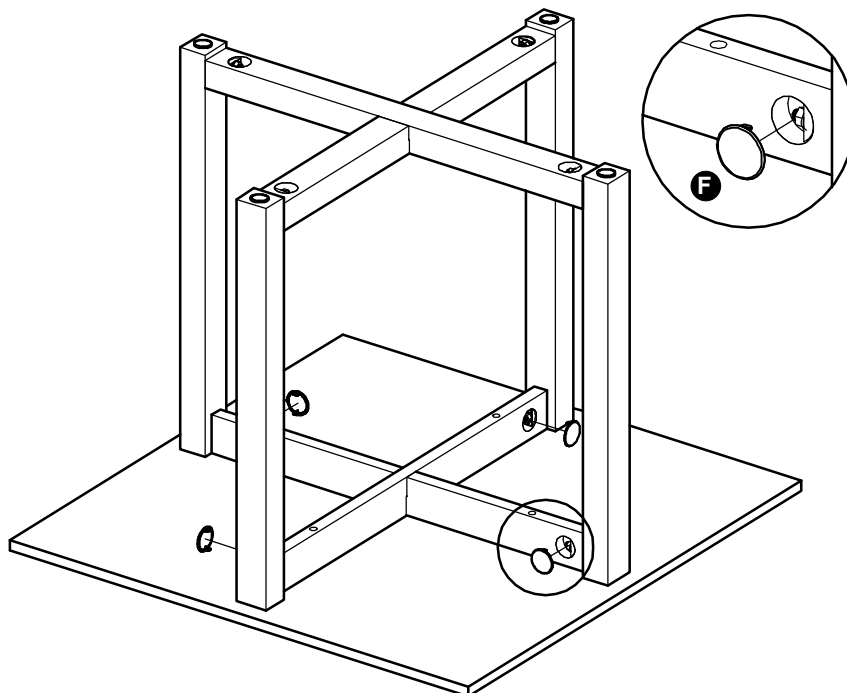


## Step 3

### Assemble cap

Cover the holes by using caps **F** as shown.

Assemble is complete



If you need help or have damaged or missing parts, call the **Customer Helpline:**  
**Argos = 0345 6400800**

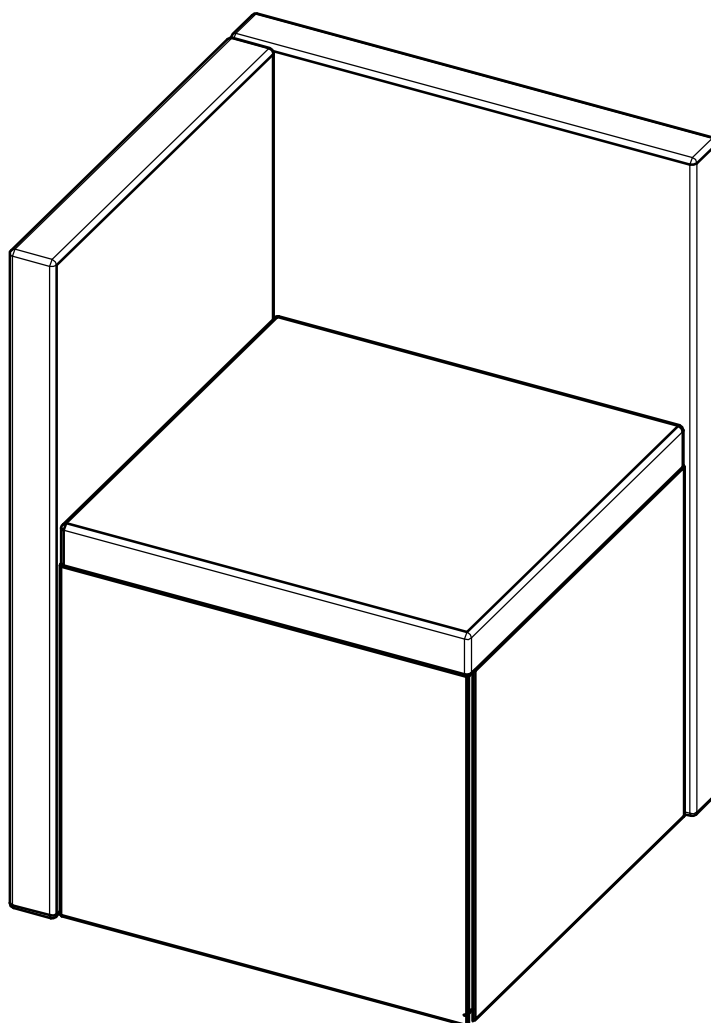
# Wooden Space Saver Square Chair

Assembly Instructions - Please keep for future reference

314/9195

323/4550

**hygena**



## Dimensions

Width - 50cm  
Depth - 50cm  
Height - 72cm

**Important – Please read these instructions fully before starting assembly**

If you need help or have damaged or missing parts, call the **Customer Helpline:**  
**Argos = 0345 6400800**



# Safety and Care Advice

**Important – Please read these instructions fully before starting assembly**

- Check you have all the components and tools listed on the following pages.
- Remove all fittings from the plastic bags and separate them into their groups.
- Keep children and animals away from the work area, small parts could choke if swallowed.
- Make sure you have enough space to layout the parts before starting.

- During assembly do not stand or put weight on the product, this could cause damage.
- Assemble the item as close to its final position (in the same room) as possible.
- Assemble on a soft level surface to avoid damaging the unit or your floor.
- Parts of the assembly will be easier with 2 people.



- To reduce the likelihood of damaging your product please ensure that your power drill is set on a low torque setting.
- Do not stand on the chair.
- Do not use this chair as a step ladder.
- Maximum safe weight of user: 110kgs.

## Care and maintenance

- Only clean using a damp cloth and mild detergent, do not use bleach or abrasive cleaners.
- From time to time check that there are no loose screws on this unit.
- This product should not be discarded with household waste. Take to your local authority waste disposal centre.

## Handy Hints

- Assemble all parts and bolts loosely during assembly, only once the product is complete should you fully tighten the bolts
- Regularly check and ensure that all bolts and fittings are tightened properly.

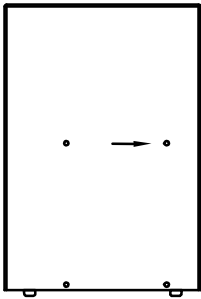


# Components - Panels

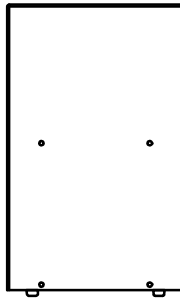
If you have damaged or missing components, call the  
**Customer Helpline: Argos = 0345 6400800**

Please check you have all the panels listed below

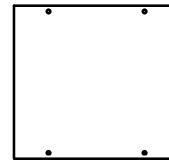
The quantities below are for 4 chairs



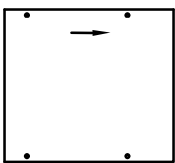
**1** Chair back x 4  
(72 x 50 cm)



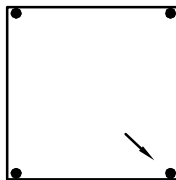
**2** Chair back x 4  
(72 x 45 cm)



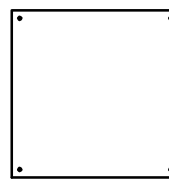
**3** Side panel x 4  
(43 x 39 cm)



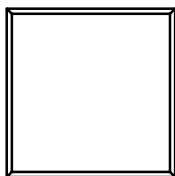
**4** Side panel x 4  
(44 x 39 cm)



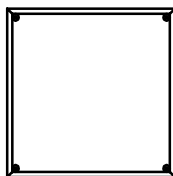
**5** Chair seat x 4  
(44x 44 cm)



**6** Bottom panel x 4  
(40 x 40 cm)



**7** Upper frame x 4  
(43 x 43 cm)

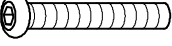
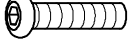



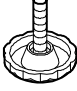



**8** Bottom frame x 4  
(43 x 43 cm)

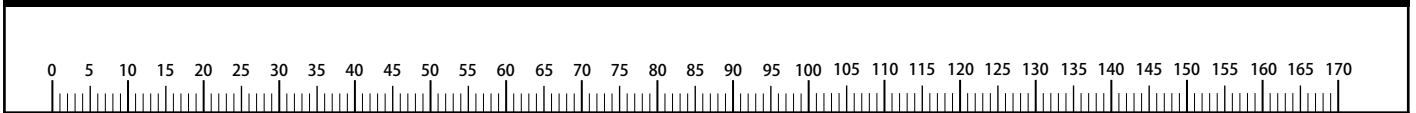
# Components - Fittings

Please check you have all the fittings listed below

**Note:** The quantities below are the correct amount to complete the assembly of 4 chairs. In some cases more fittings may be supplied than are required.

<p><b>A</b> </p> <p>58mm Bolt x 32</p>	<p><b>B</b> </p> <p>28mm Bolt x 32</p>	<p><b>C</b> </p> <p>16mm Bolt x 12</p>
<p><b>D</b> </p> <p>Plain washer x 76</p>	<p><b>E</b> </p> <p>Spring washer x 64</p>	<p><b>F</b> </p> <p>Foot x 4</p>
<p><b>G</b> </p> <p>Hex key x 1 (supplied in the fittings pack of table)</p>		

**Ruler** - Use this ruler to help correctly identify the screws



The bolts length is measured from the head to the point (28mm bolt shown).

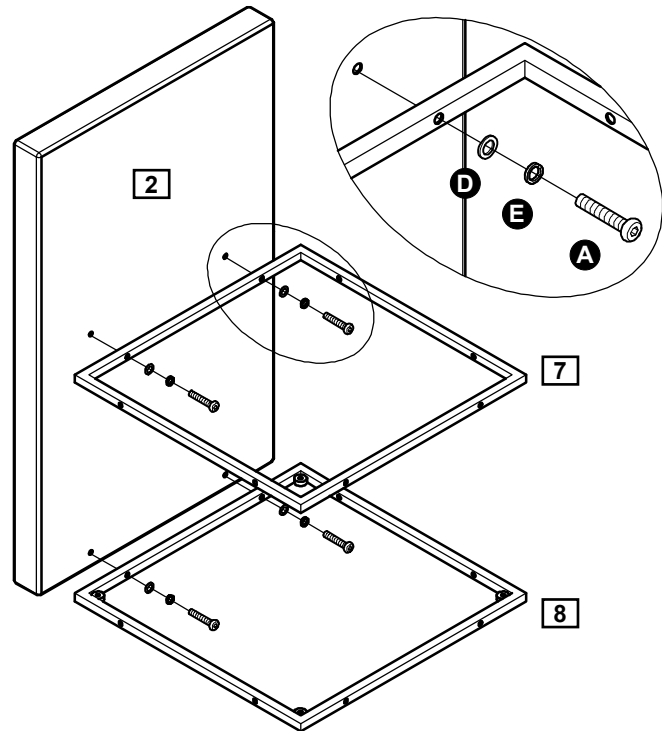
# Assembly Instructions

## Step 1

### Assemble chair backs

**a:** Fix upper frame **7** and bottom frame **8** to chair back **2** by using bolts **A**, spring washers **E** and plain washers **D**.

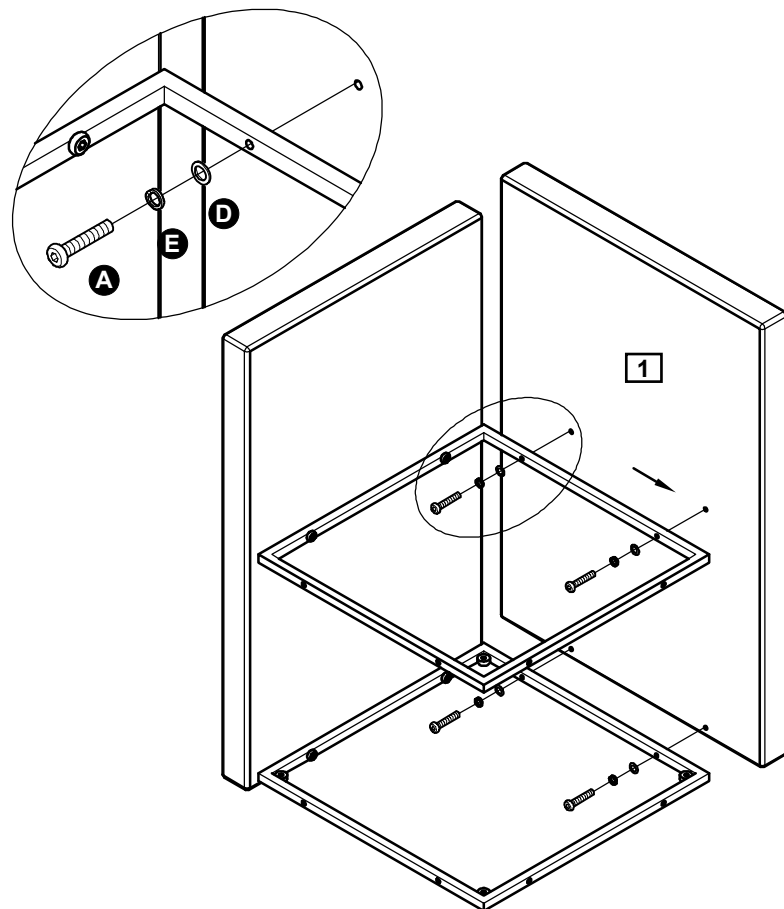
**a:**



**b:** Fix chair back **1** to the assembled unit by using bolts **A**, spring washers **E** and plain washers **D**.

**Note:** The arrow should point outward as shown in the figure.

**b:**



**Important note:** Do not fully tighten bolts at this stage.

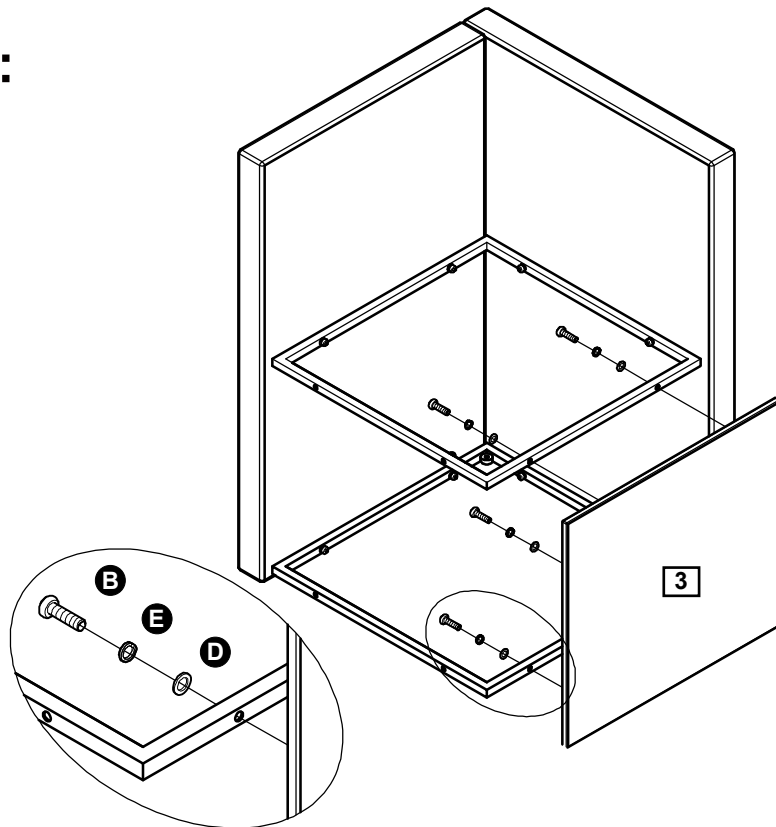
# Assembly Instructions

## Step 2

### Assemble side panels

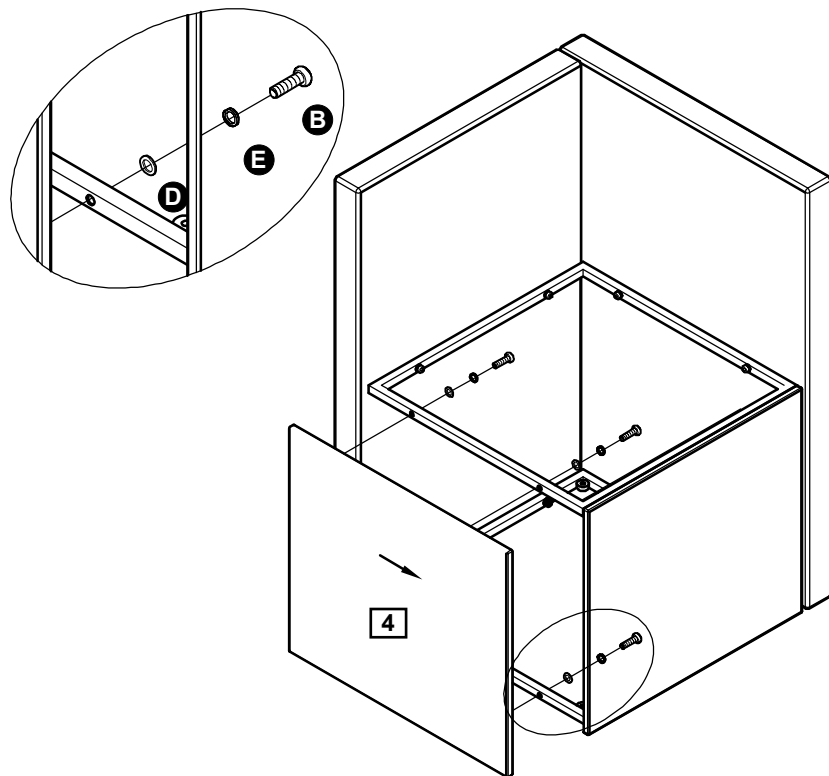
**a:** Fix side panel **3** to the assembled unit by using bolts **B**, spring washers **E** and plain washers **D**.

**a:**



**b:** Fix side panel **4** to the assembled unit by using bolts **B**, spring washers **E** and plain washers **D**.

**b:**



**Note:** The arrow should point outward as shown in the figure.



**Important note:** Do not fully tighten bolts at this stage.

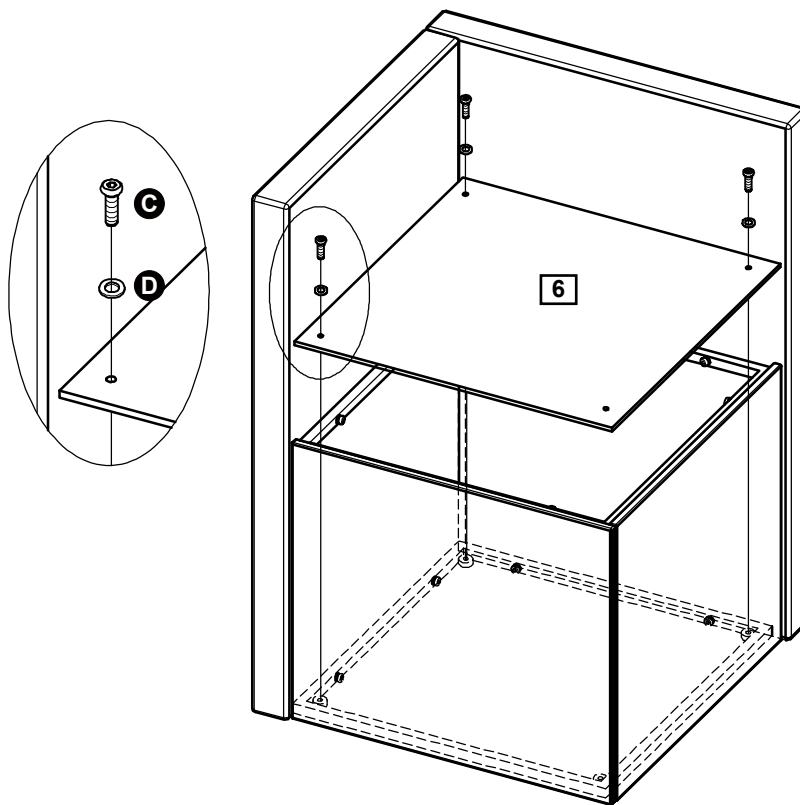
# Assembly Instructions

## Step 3

### Assemble bottom panel

Fix bottom panel **6** to bottom frame by using bolts **C** and plain washers **D**.

**Note:** Only fix 3 holes as shown in the figure.



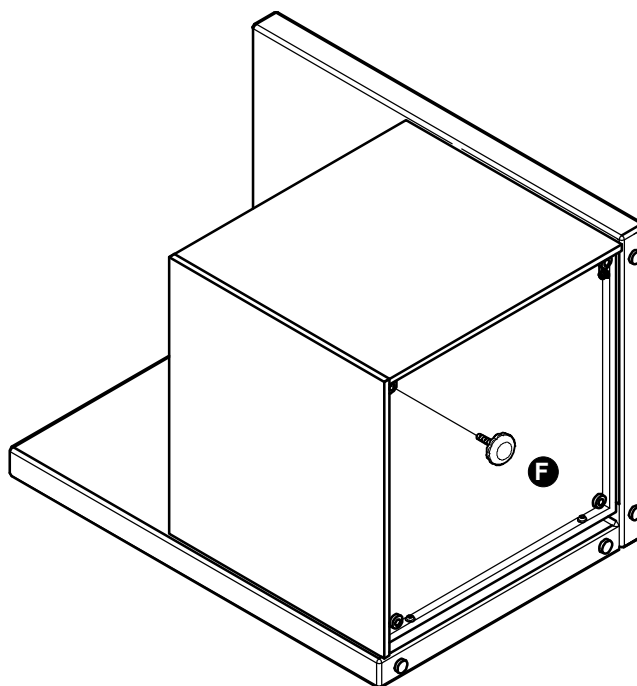
## Step 4

### Assemble foot

Screw foot **F** into bottom frame.



**Important note:** After all the parts are positioned, you can now fully tighten all bolts fixed on previous steps.



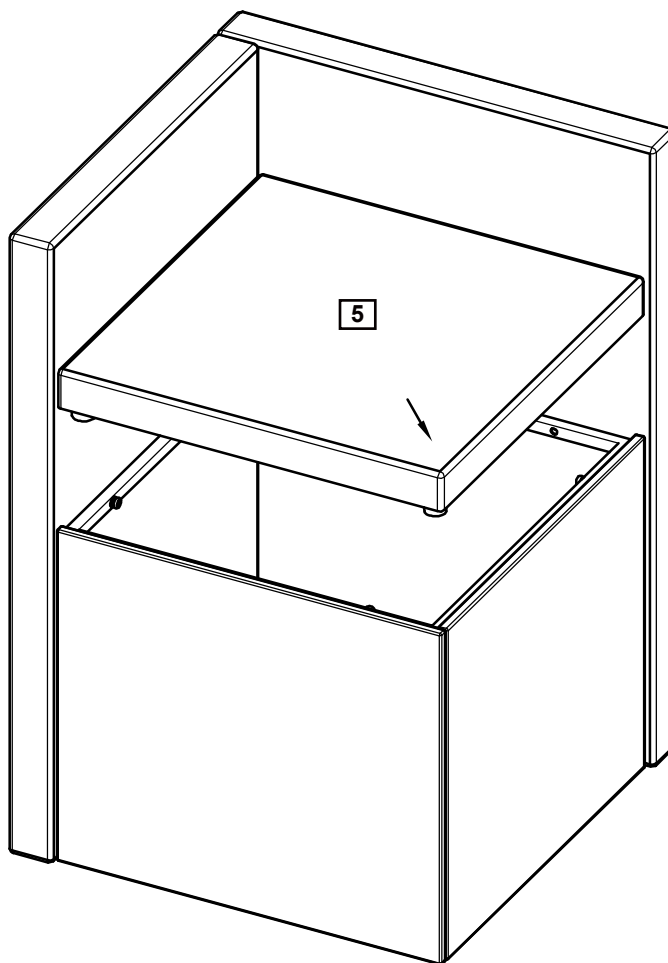
# Assembly Instructions

## Step 5

Put chair seat **5** onto the frame.

**Note:** The arrow should point outward as shown in the figure.

**Assembly is complete.**



If you need help or have damaged or missing parts, call the **Customer Helpline:**  
**Argos = 0345 6400800**