

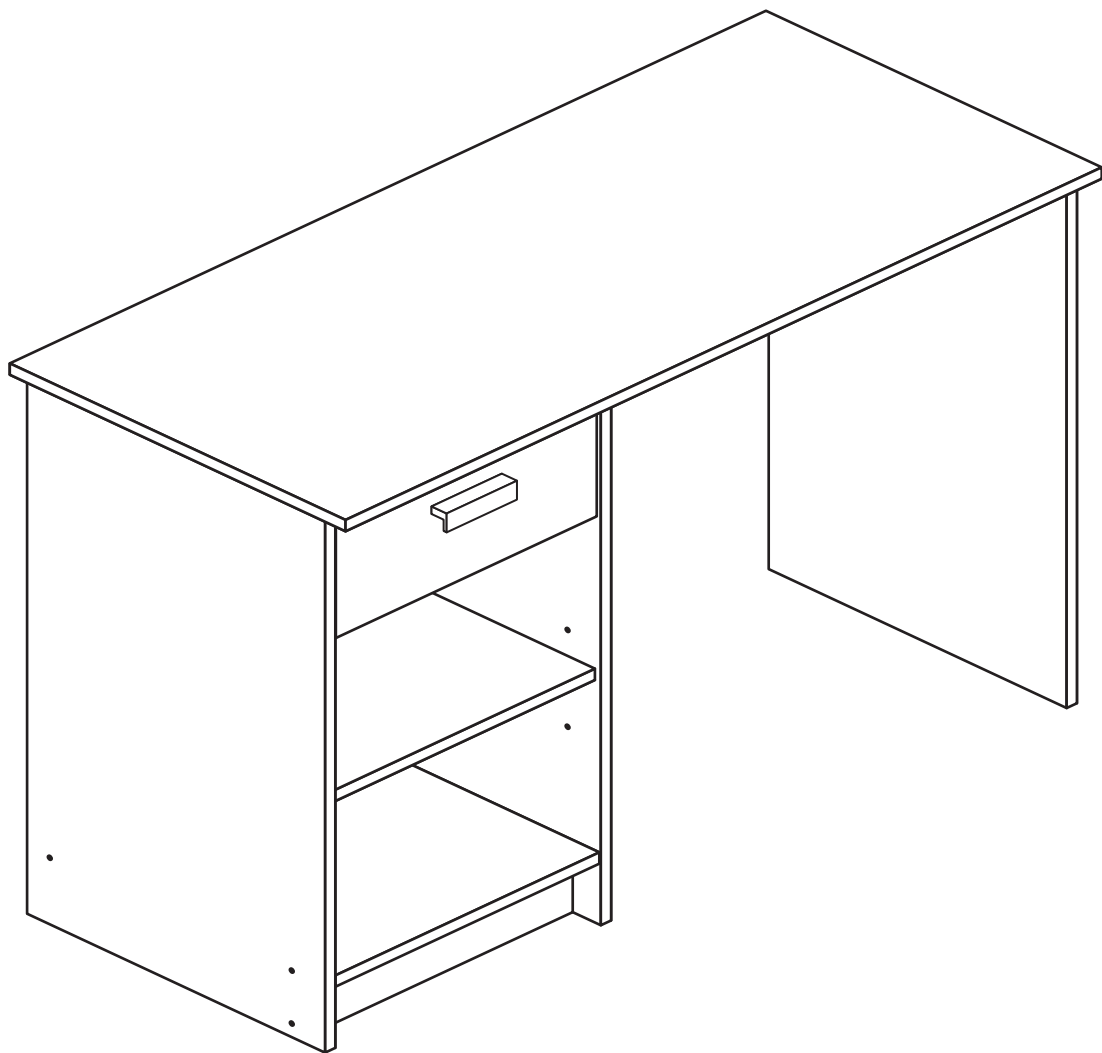
# Chadwick - Desk

Assembly Instructions - Please keep for future reference

356/2246

322/8865

330/1074



## Dimensions

Width - 100cm

Depth - 45cm

Height - 72cm



**MADE IN  
BRITAIN**

**Important** - Please read these instructions fully before starting assembly

If you need help or have damaged or missing parts, call the **Customer Helpline: 08456 400800**



# Safety and Care Advice

**Important - Please read these instructions fully before starting assembly**

- **Warning:** This unit weighs approximately 19kgs. Please lift with care.

- Check you have all the components and tools listed on pages 2 and 3.

- Remove all fittings from the plastic bags and separate them into their groups.

- Keep children and animals away from the work area, small parts could choke if swallowed.

- Make sure you have enough space to layout the parts before starting.

- Do not stand or put weight on the product, this could cause damage.

- Assemble the item as close to its final position (in the same room) as possible.

- Assemble on a soft level surface to avoid damaging the unit or your floor (use opened out unit carton).



- We do not recommend the use of power drill/drivers **for inserting screws**, as this could damage the unit. Only use hand screwdrivers.

- **Safety note:** If there is any chance of this unit being pulled over by children etc. it is recommended that the unit is secured to a wall using suitable fixings (not supplied).

- Dispose of all packaging carefully and responsibly.

## Care and maintenance

- Only clean using a damp cloth and mild detergent, do not use bleach or abrasive cleaners.

- From time to time check that there are no loose screws on this unit.

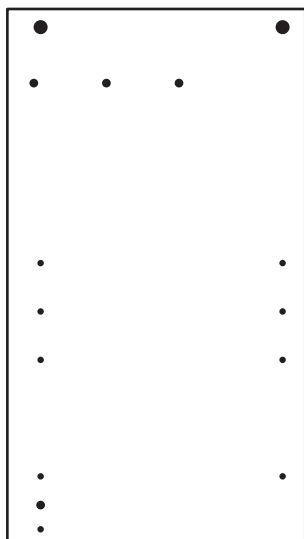
- This product should not be discarded with household waste. Take to your local authority waste disposal centre.

**Note:** If required the next page can be cut out and used as reference throughout the assembly. Keep this page with these instructions for future reference.

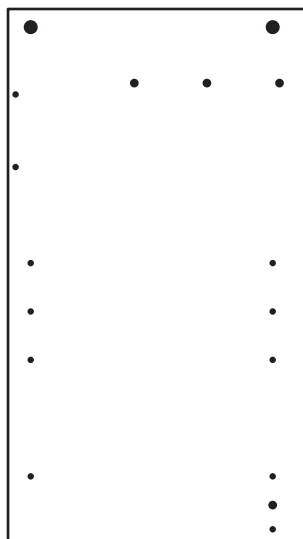
# Components - Panels

If you have damaged or missing components, call the **Customer Helpline: 08456 400800** quoting the reference numbers below

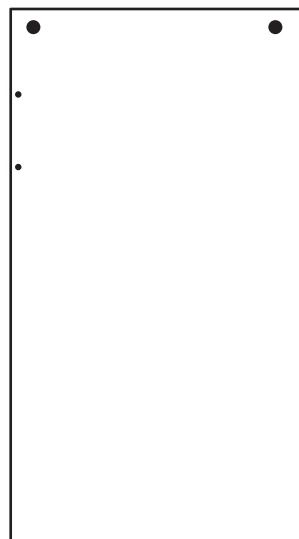
Please check you have all the panels listed below



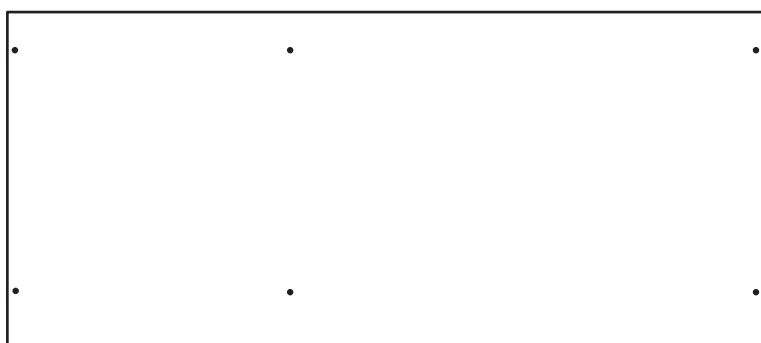
**1** Left Side (D2911A)  
(706 x 394mm)



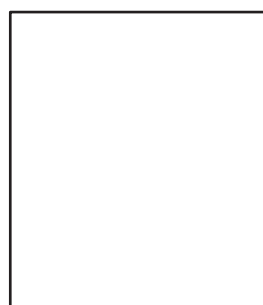
**2** Upright (D2912A)  
(706 x 394mm)



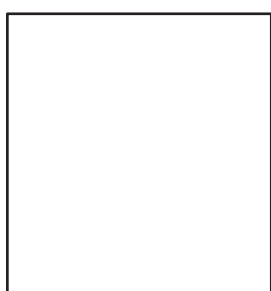
**3** Right Side (D2913A)  
(706 x 394mm)



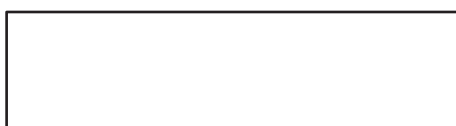
**4** Top (D2915A)  
(1000 x 444mm)



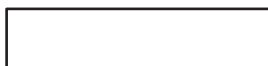
**5** Base (D2916A)  
(349 x 392mm)



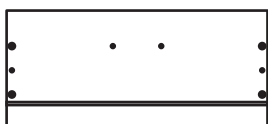
**6** Shelf (D2919A)  
(349 x 373mm)



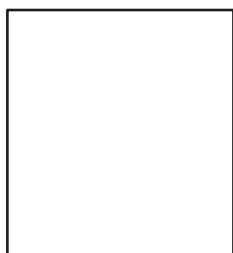
**7** Modesty (D2917A)  
(602 x 157mm)



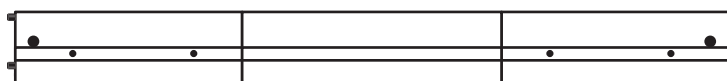
**8** Plinth (D2918A)  
(349 x 80mm)



**9** Drawer Front (D3072A)  
(345 x 157mm)



**10** Drawer Base (T161)  
(299 x 330mm)



**11** Drawer Wrap (W161)  
(943 x 95mm)



**12** Back (X725)  
(626 x 373mm)

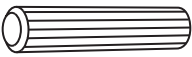
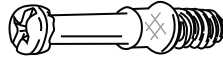
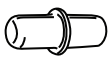




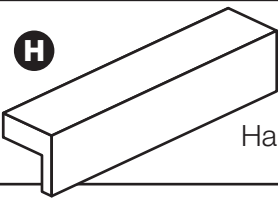

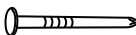
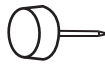
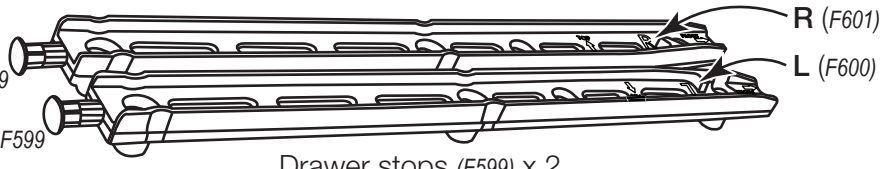


# Components - Fittings

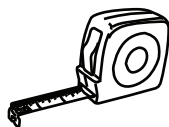
If you have damaged or missing components, call the **Customer Helpline: 08456 400800** quoting the reference numbers below

Please check you have all the fittings listed below

**Note:** The quantities below are the correct amount to complete the assembly. In some cases more fittings may be supplied than are required.

<p><b>A</b> </p> <p>Wooden dowel (F22) x 2</p>	<p><b>B</b> </p> <p>Metal dowel (F901) x 8</p>	<p><b>C</b> </p> <p>Shelf stud (F110) x 4</p>
<p><b>D</b> </p> <p>25mm Screw (F95) x 2</p>	<p><b>E</b> </p> <p>Large locking nut (F900) x 6</p>	<p><b>F</b> </p> <p>Small locking nut (F3) x 2</p>
<p><b>G</b> </p> <p>40mm Screw (F910) x 10</p>	<p><b>H</b> </p> <p>Handle (F930) x 1</p>	<p><b>I</b> </p> <p>Wedgefix (F639) x 2</p>
<p><b>J</b> </p> <p>Nail (F51) x 12</p>	<p><b>K</b> </p> <p>Plastic Nail (F91) x 6</p>	
<p><b>L</b> </p> <p>Drawer stops (F599) x 2 Runners (F600) x 1 and (F601) x 1</p>		

## Tools required



Rule



Cross-head screwdriver



Scissors

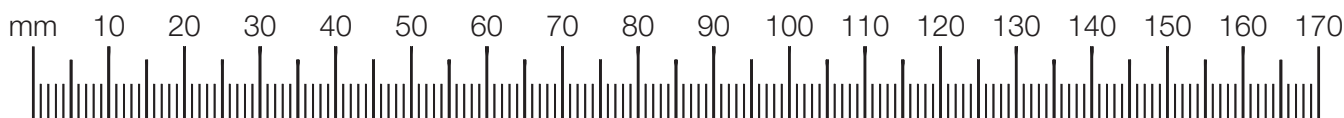


Hammer



Eye protection  
(when using a hammer or drill)

Ruler - Use this ruler to help correctly identify the screws



# Assembly Instructions

If you have damaged or missing components, call the  
**Customer Helpline: 08456 400800** quoting the reference  
numbers below

## Step 1

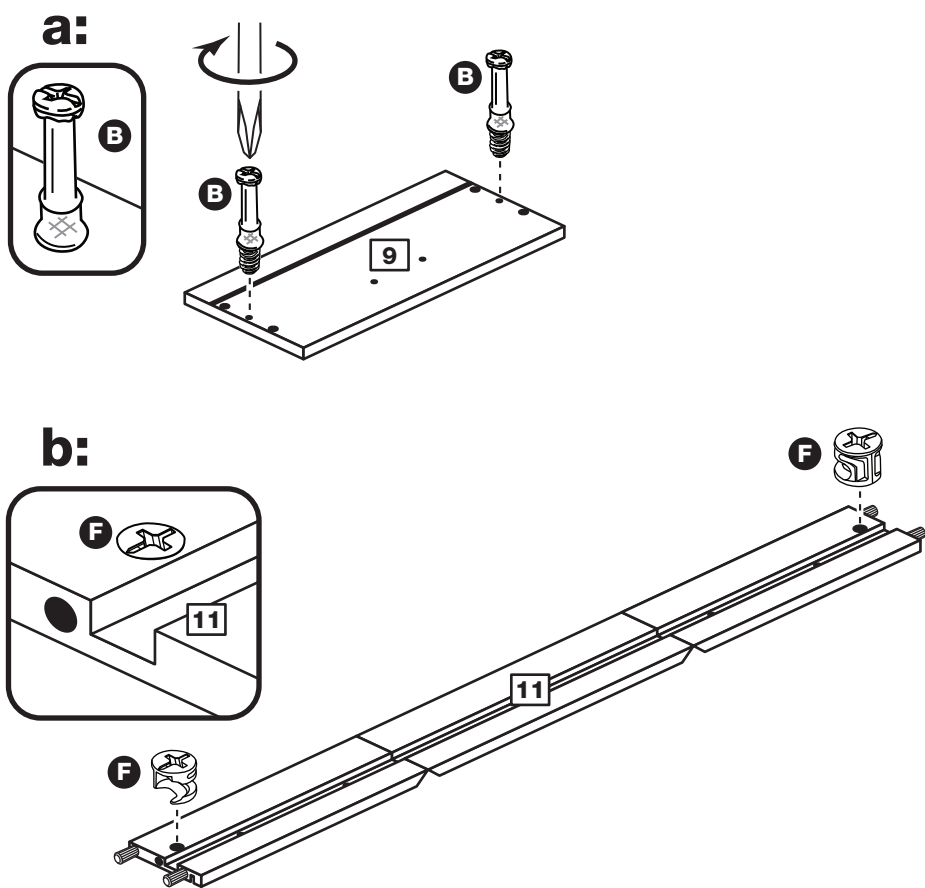
### Prepare the drawer front and drawer wrap

**a:** Screw 2 metal dowels **B** into the holes shown on the back of the drawer front **9**.

**Note:** Tighten the metal dowels up fully against the panel.

**b:** Insert 2 small locking nuts **F** into the holes shown on the drawer wrap **11**.

**Note:** The arrows on the locking nuts **must** point towards the hole in the edge of the panel.



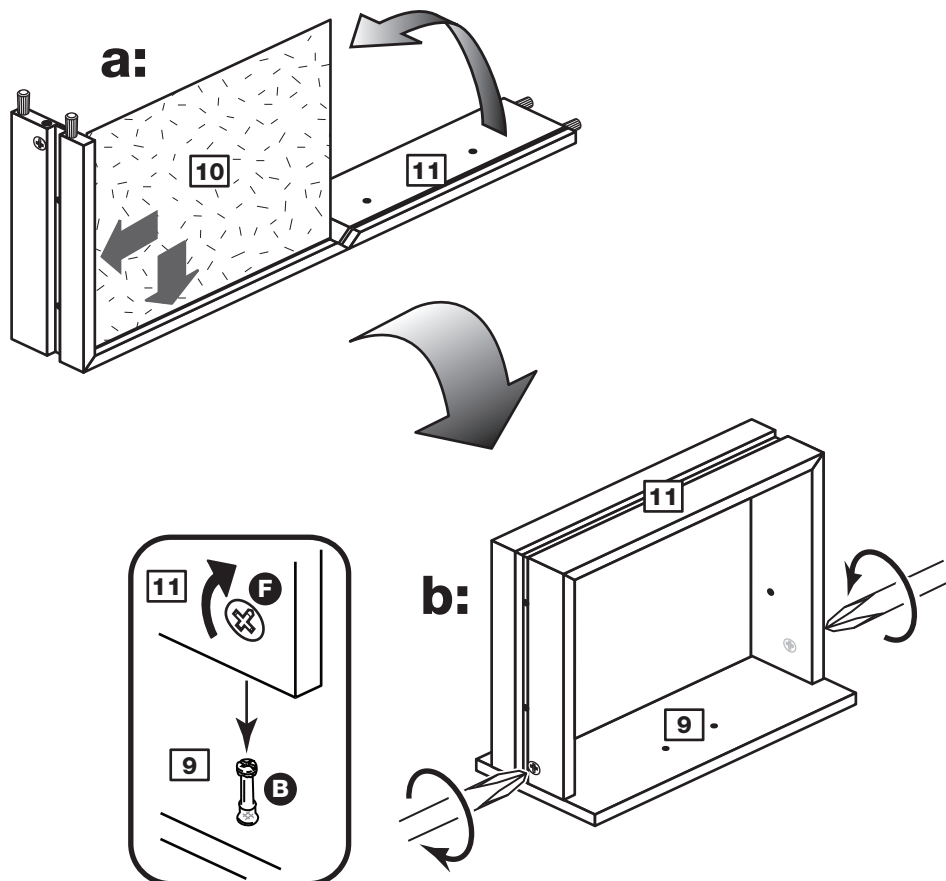
## Step 2

### Assemble the drawer

**a:** Place the drawer base **10** into the narrow slot on the drawer wrap **11**. Fold the wrap around the base.

**b:** Turn the drawer wrap assembly over and push it onto the back of the drawer front **9**.

**Note:** Turn the locking nuts **F** clockwise to secure the panels - more than 1/2 a turn.



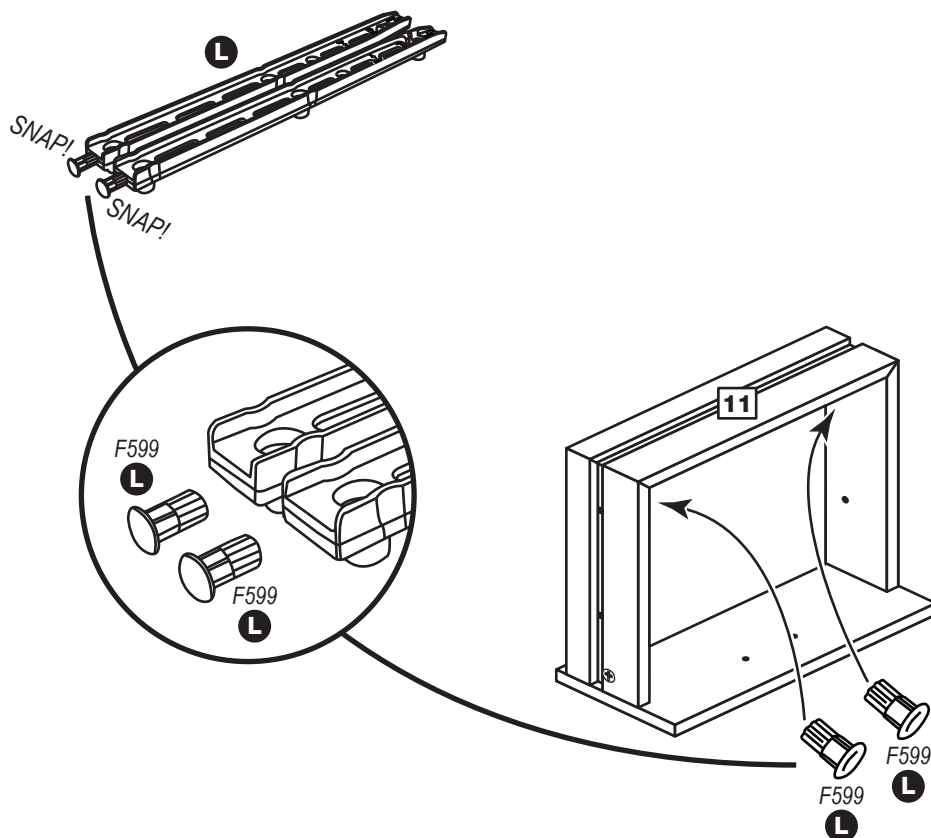
# Assembly Instructions

## Step 3

### Attach the drawer stops

Carefully break off the 2 drawer stops (F599) from the pair of drawer runners L.

Push the drawer stops fully through the drawer wrap 11 from the inside.

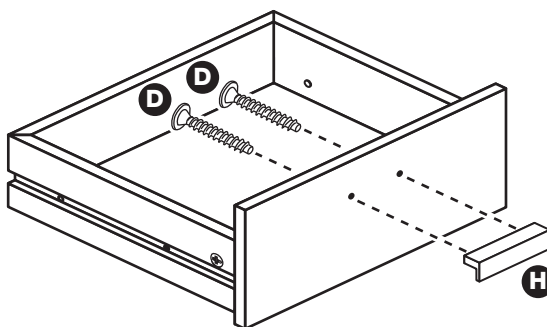


## Step 4

### Attach the handle

Attach the handle (H) to the drawer front using 2 screws (D).

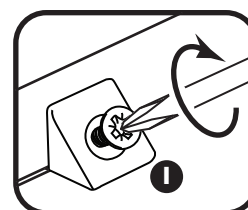
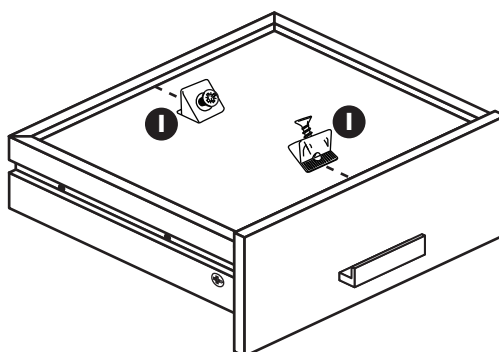
**Note: Do not overtighten the screws.**



## Step 5

### Fit the wedgifixes

Turn the drawer assemblies over and slide 4 wedgifixes (I) into the front and back grooves, as shown, and tighten up the screws.



# Assembly Instructions

## Step 6

### Prepare the left side and the upright

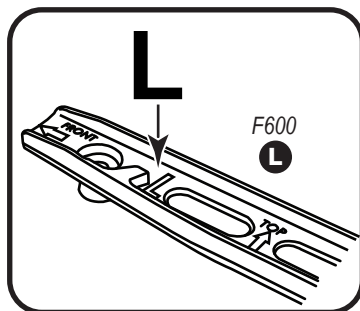
Separate the runners **L**.

**a:** Push fit left runner **L** marked 'L' into the holes shown on left side **1**.

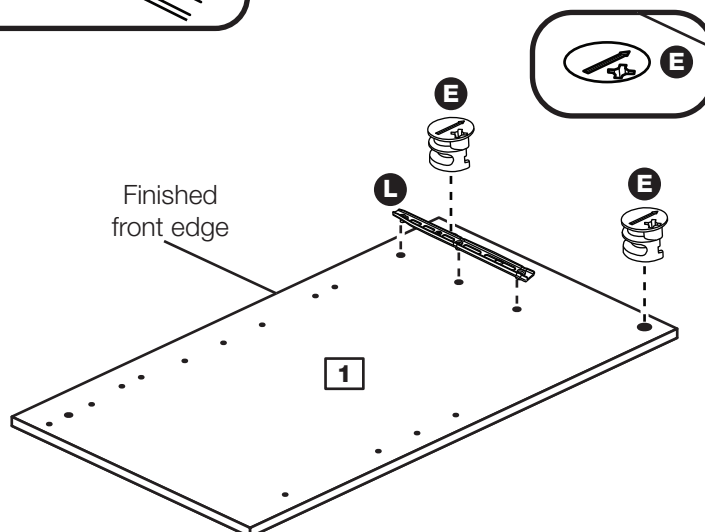
**Note:** Runners must be fitted flat against the panel. If necessary gently tap into final position.

Insert 2 large locking nuts **E** into left side **1**.

**Note:** The arrow on the locking nut **must** point towards the hole in the edge of the panel.

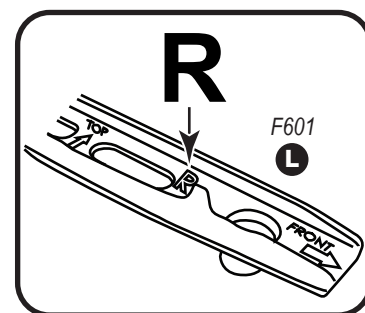
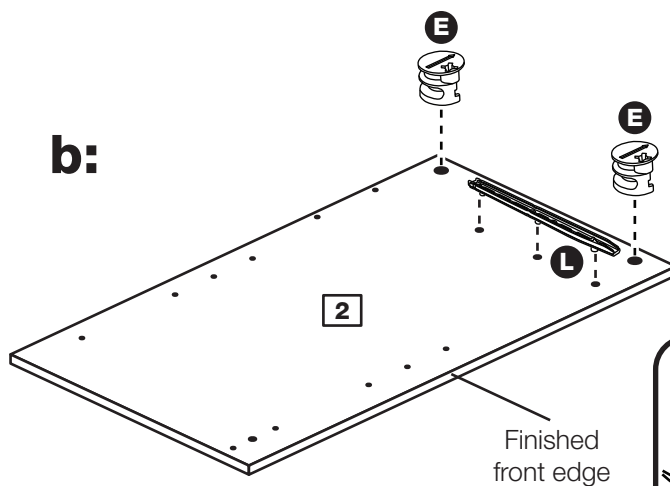


**a:**



**b:** Push fit right runner **L** marked 'R' into the holes shown on upright **2**.

Insert 2 large locking nuts **E** into the upright **2**.

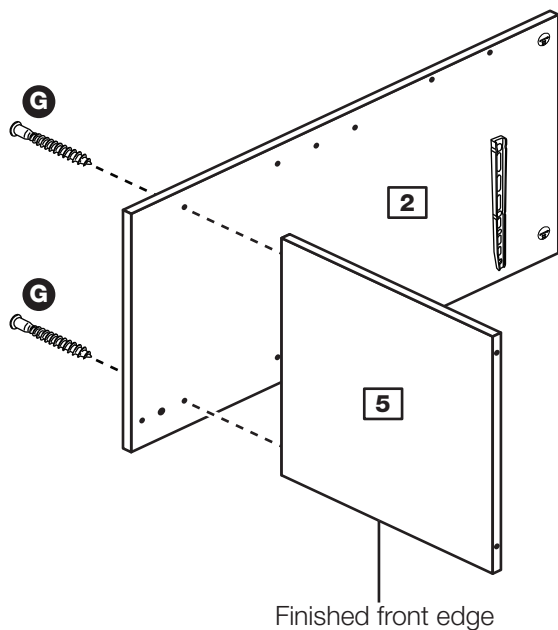


# Assembly Instructions

## Step 7

### Fit the base to the upright

Attach the base **5** to the upright **2** using 2 screws **G**.

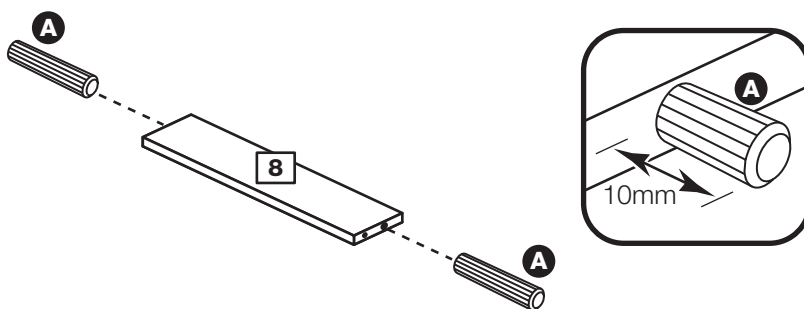


## Step 8

### Prepare the plinth

Tap 2 wooden dowels **A** into the plinth **8**.

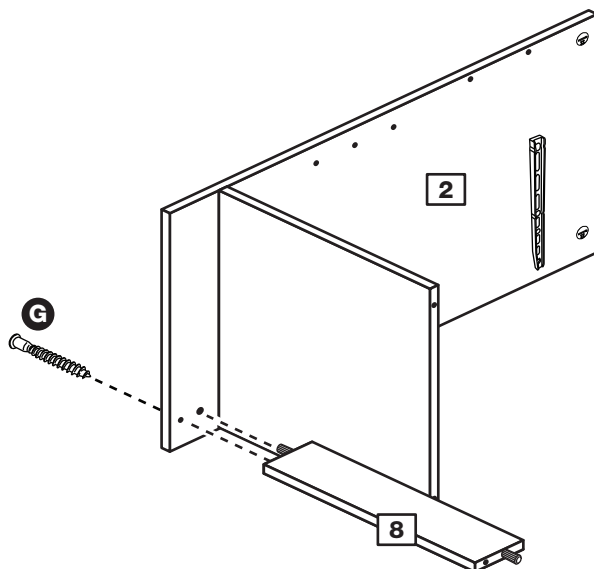
**Note:** Wooden dowels **must not** stick out from the edge by more than 10mm or they may damage other panels.



## Step 9

### Fit the plinth to the upright

Attach the plinth **8** to the upright **2** using the dowel already fitted and secure with screw **G**.



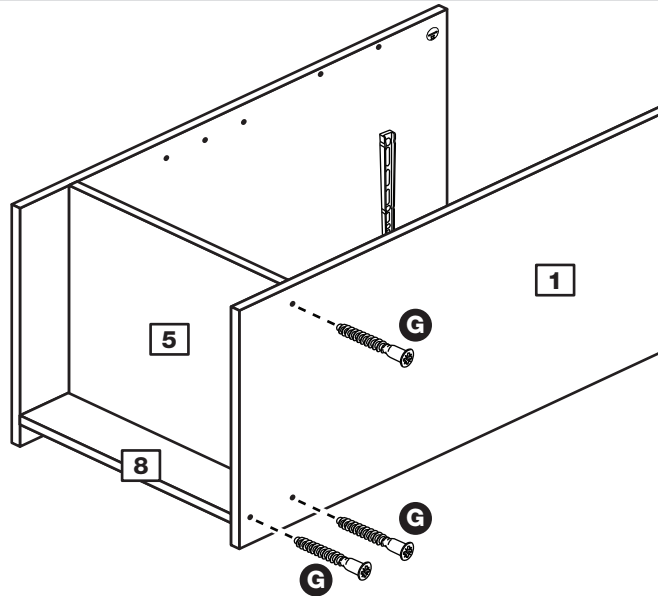


# Assembly Instructions

## Step 10

### Fit the left side

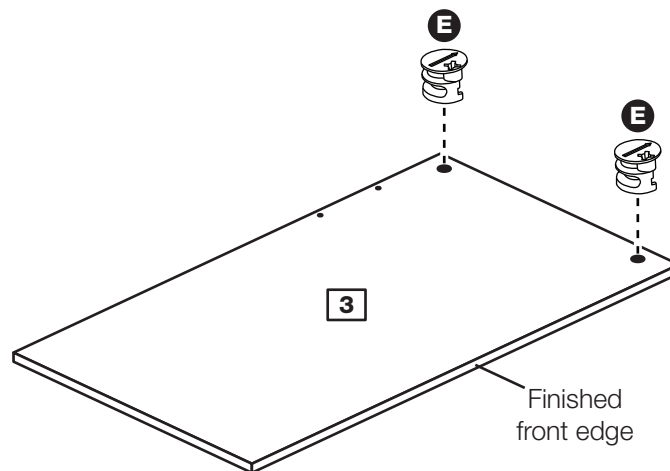
Attach the left side **1** to the base **5** and plinth **8** using 3 screws **G**.



## Step 11

### Prepare the right side

Insert 2 large locking nuts **E** into the right side **3**.



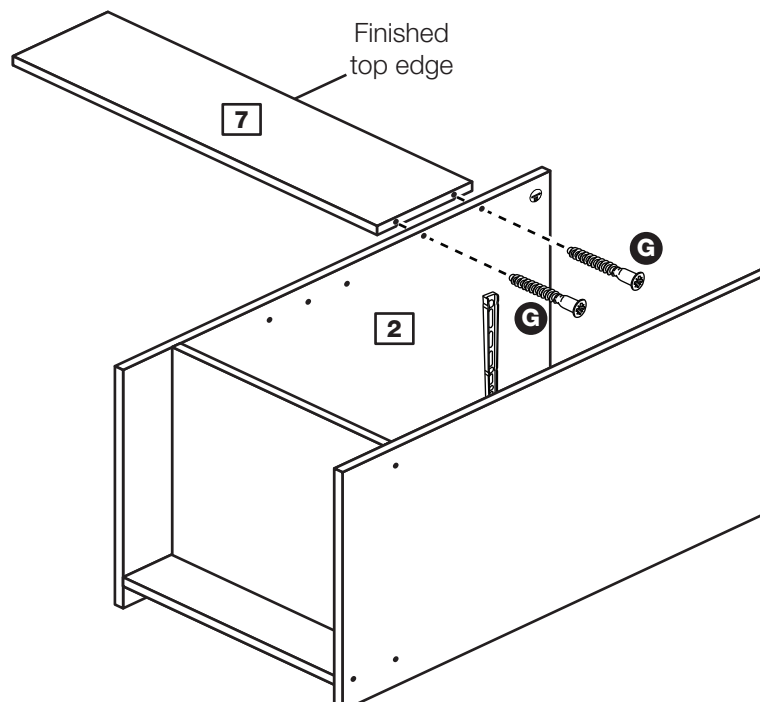
## Step 12

### Fit the modesty

**2 people are needed here**

Attach the modesty **7** to the upright **2** using 2 screws **G**.

**Support the modesty until the right side has been fitted in the next step.**



# Assembly Instructions

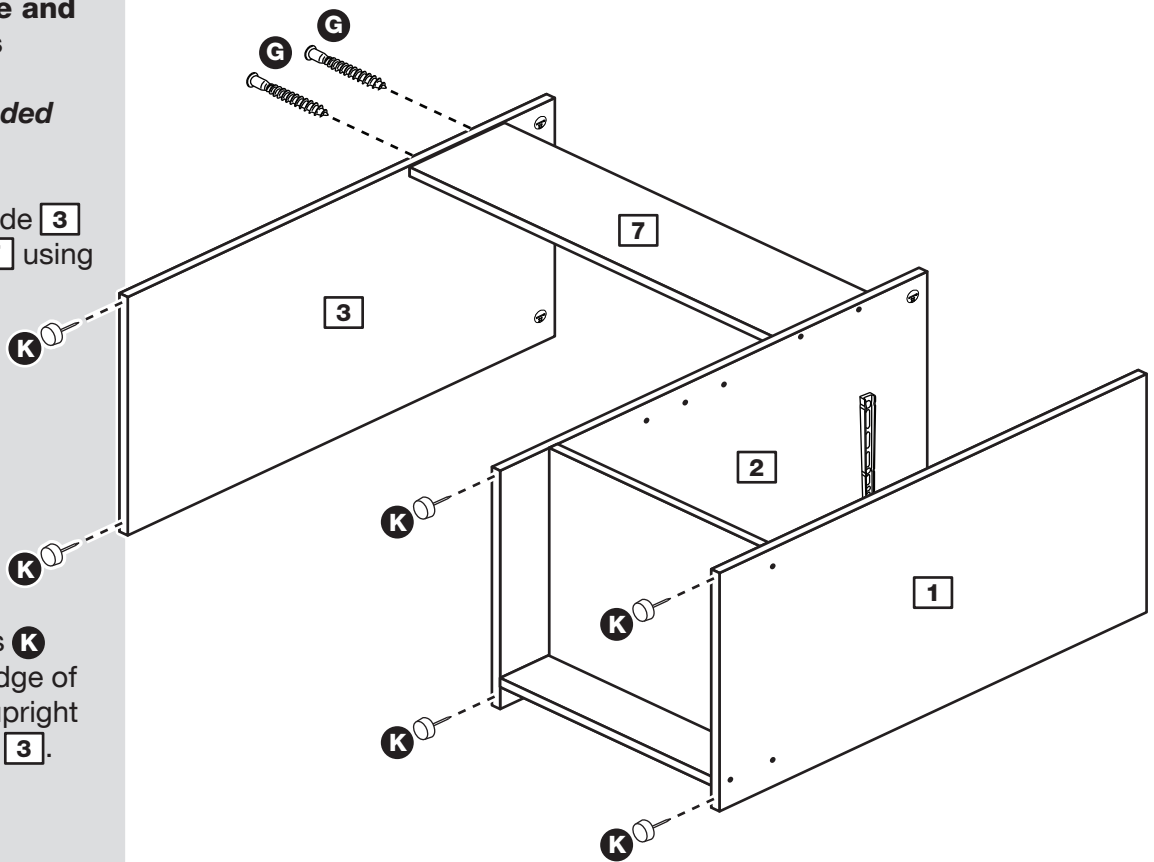
## Step 13

**Fit the right side and the plastic nails**

*2 people are needed here*

Attach the right side **3** to the modesty **7** using 2 screws **G**.

Tap 2 plastic nails **K** into the bottom edge of the left side **1**, upright **2** and right side **3**.

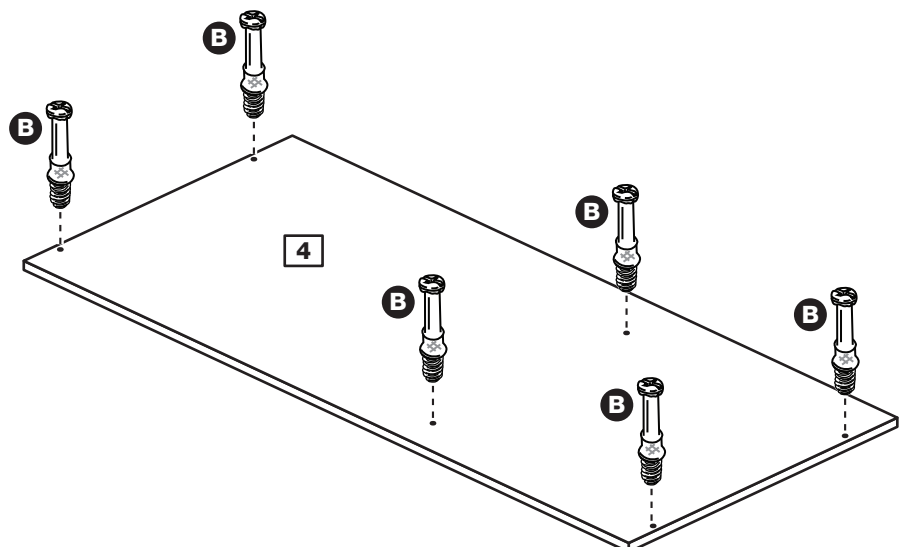


## Step 14

**Prepare the top panel**

**a:** Screw 6 metal dowels **B** into the holes on the top **4**.

**Note:** Tighten the metal dowels up fully against the panel.



# Assembly Instructions

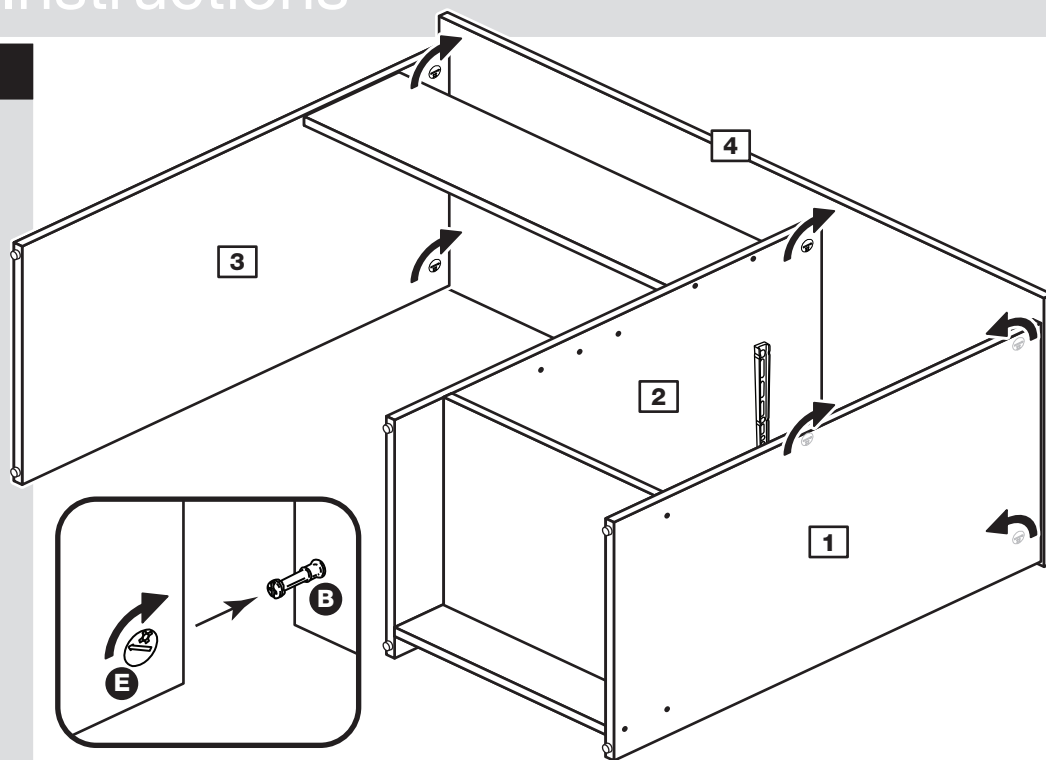
## Step 15

### Fit the top

Push the 6 metal dowels **B** fitted to the top **4** down into the holes in the top edge of the side and upright panels.

Use a screwdriver to tighten the 6 large locking nuts **E** fitted to the side and upright panels **1**, **2** and **3**.

**Note:** Turn the large locking nuts **E** as far as they will go - more than 1/2 a turn.



## Step 16

### Fit the back

**2 people are needed here**

**a:** Square up the unit by making sure that measurement **x** to **x** equals **y** to **y**.

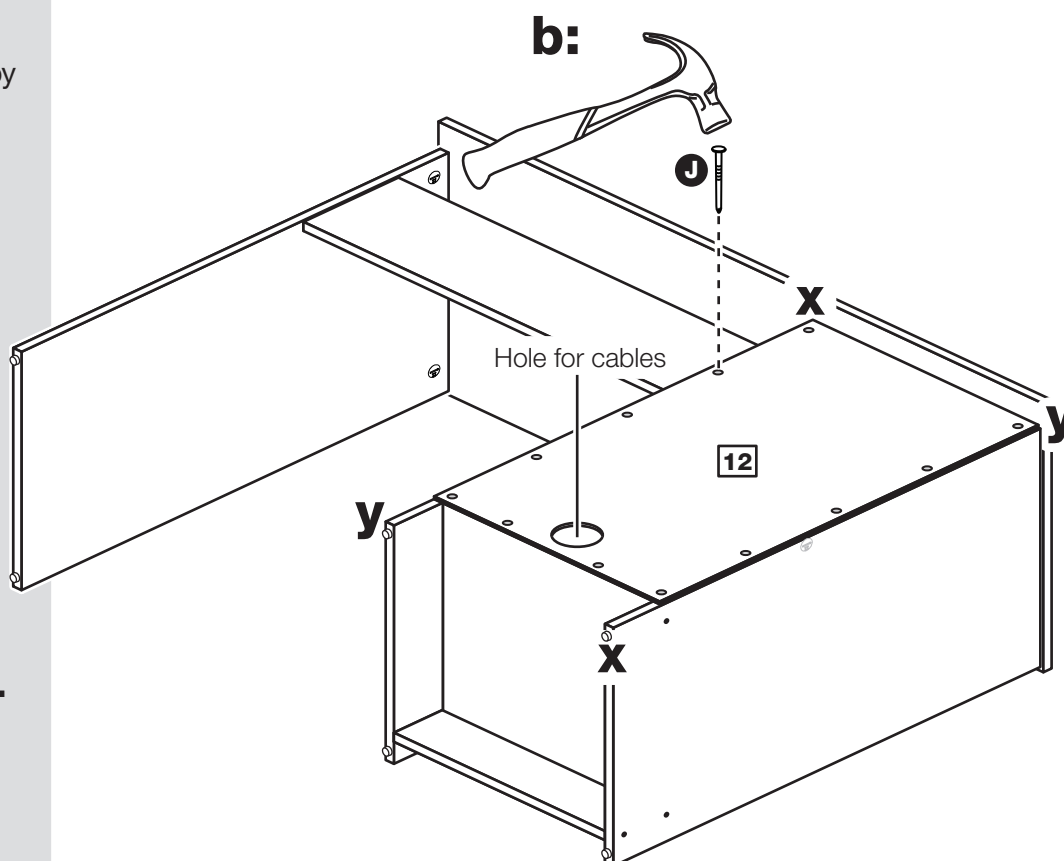
**b:** Place the back **12** down onto the unit.

Nail **J** down the sides and bottom edge of the back **12** as shown.

**Note:** Nails should be spaced about 150mm apart.

**Stand the unit up.**

**a:** The measurement from top corner X to bottom corner X must be equal to the measurement from top corner Y to bottom corner Y



**Warning:** The desk is heavy. Lift with care.

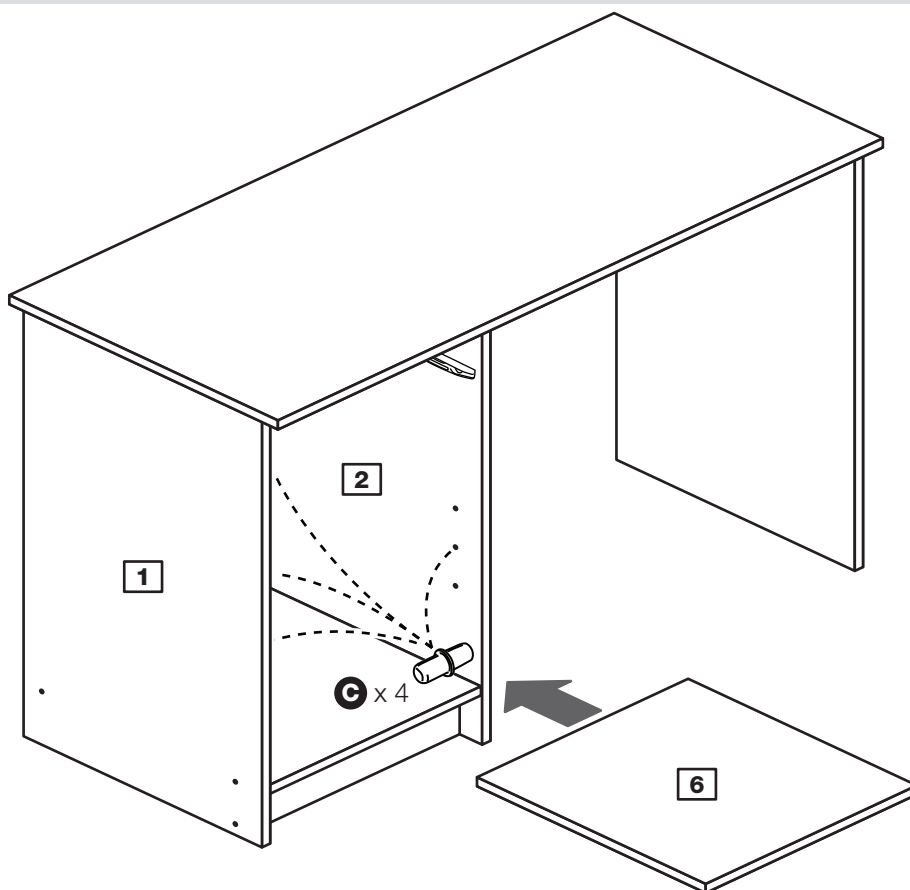
# Assembly Instructions

## Step 17

### Fit the shelf

Insert 4 shelf studs **C**, at the required height, into the holes on the left side **1** and upright **2**.

Slide the shelf **6** in to rest on top of the 4 shelf studs.



## Step 18

### Insert the drawer

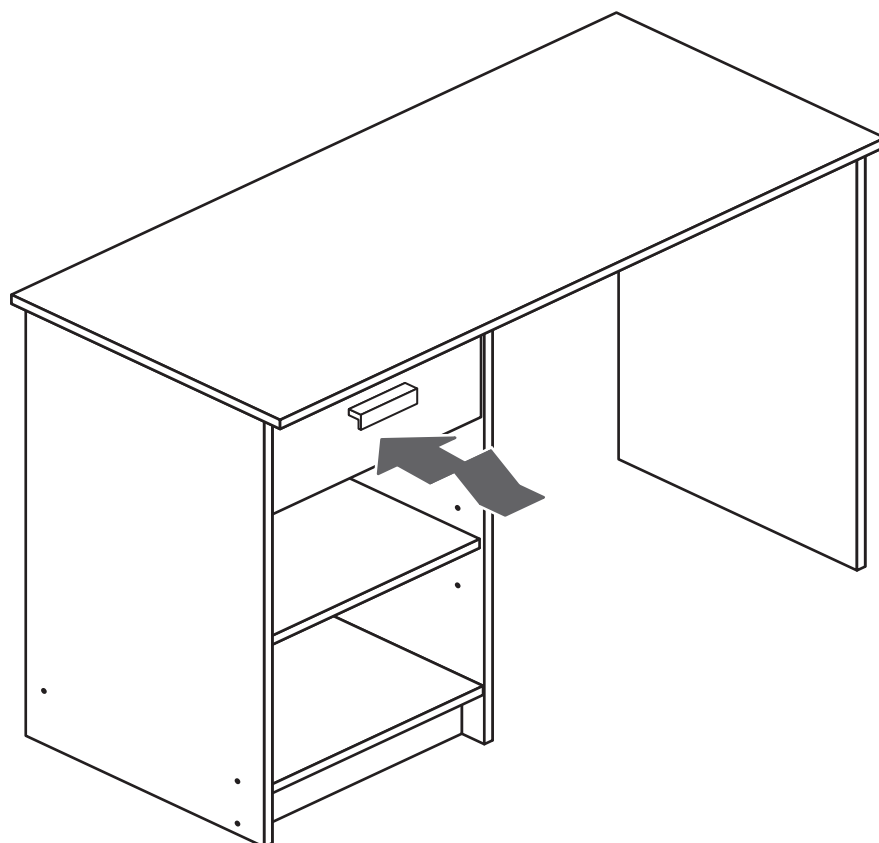
Lift the front of the drawer whilst inserting to overcome the 'stop' system.

**Note:** To ensure that your drawer runs smoothly, spray a small amount of furniture polish into the grooves.



**Warning:** The desk is heavy. Lift with care.

### Assembly is complete



If you need help or have damaged or missing parts, call the Customer Helpline: 08456 400800 and quote the reference numbers on the component pages.

Argos Ltd, 489-499 Avebury Boulevard, Central Milton Keynes, MK9 2NW