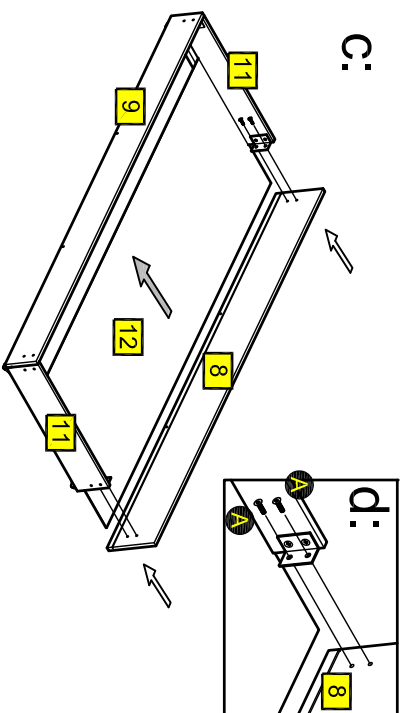


Assembly Instructions

Step 6 - continued

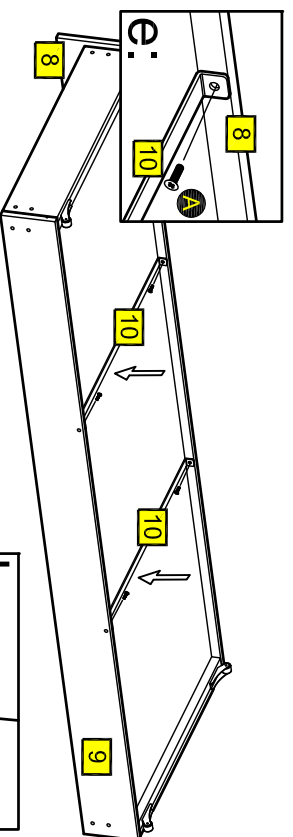
Two people are needed here.

c: Slide Bottom board **12** into the grooves.



d: Attach Front board **8** to the two Side board **11** with the Bolts **A**.

e: Fix the Support bars **10** to the Front board **8** and Back board **9** with Bolts **A**.



Now fully tighten all bolts.

Step 7

Attaching slats

For this stage requires two people.

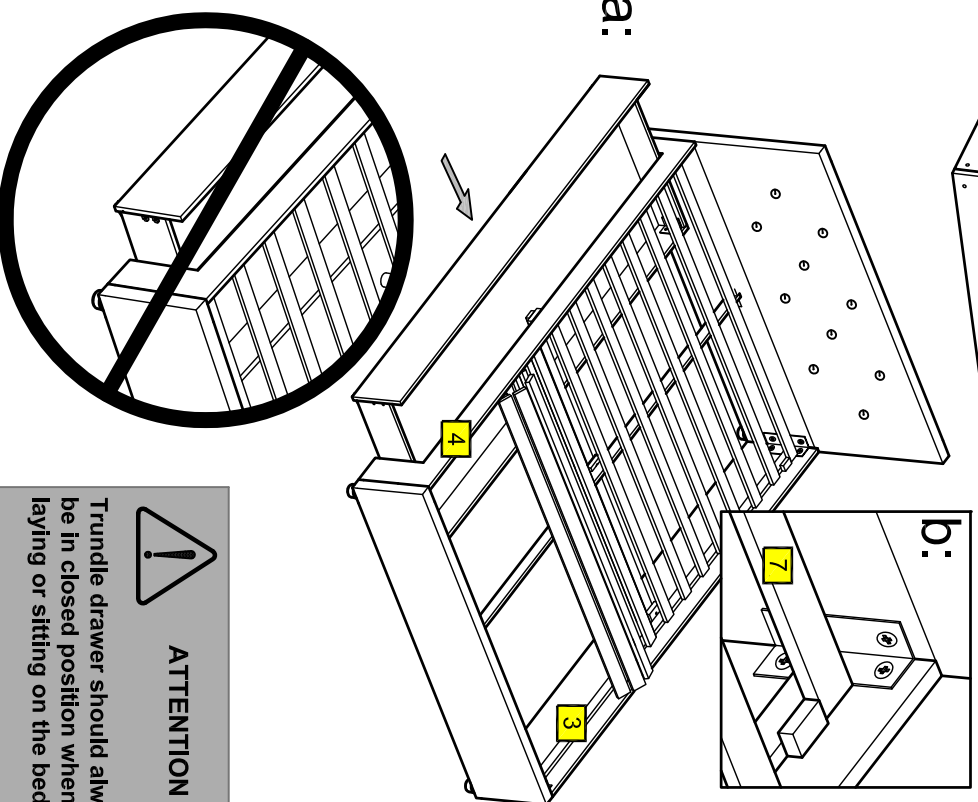
a: Insert the storage drawer in its place.

b: Roll the slats over the sides **3** and **4**, and connect slats over the wood elements that are attached on both sides of the Side Rails **3** and **4**.

Slats to be rolled out with staples on the underside.

Repeat operation for all 4 corners.

Assembly is now complete.



ATTENTION !

Trundle drawer should always be in closed position when laying or sitting on the bed .

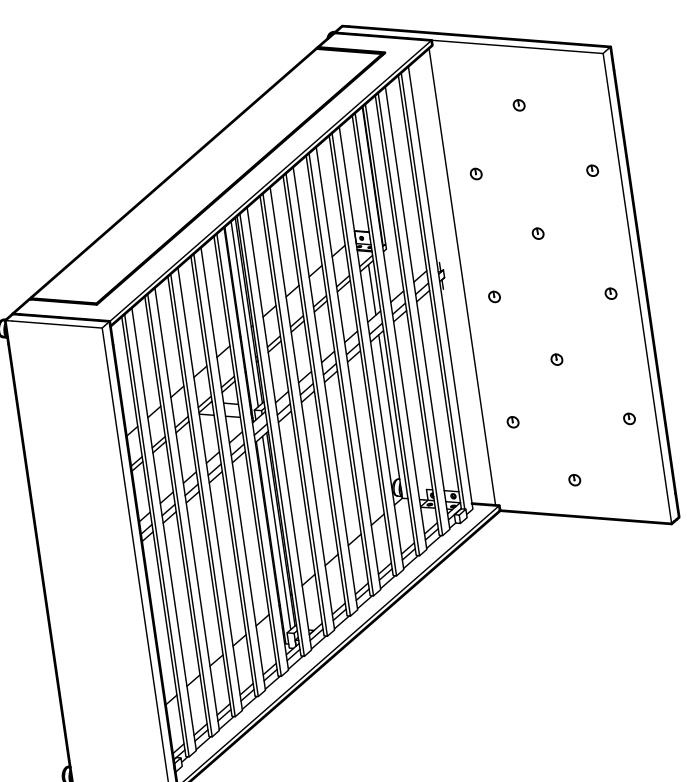
If you need help or have damaged or missing parts, call the **Customer Helpline: Argos = 0345 640 3030**

Imelda Drawer 4FT

Assembly Instructions - Please keep for future reference

Cat.no 319 / 4243

Cat.no 360 / 0892



Dimension

Width - 125cm

Length - 203cm

Height - 87cm

Important - Please read these instructions fully before starting assembly

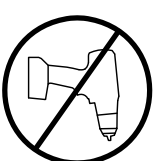
If you need help or have damaged or missing parts, call the **Customer Helpline: Argos = 0345 640 3030**



Safety and Care Advice

Important - Please read these instructions fully before starting assembly

- Check you have all the components and tools listed on pages 2 and 3.
- Remove all fittings from the plastic bags and separate them into their groups.
- Keep children and animals away from the work area, small parts could choke if swallowed.
- Make sure you have enough space to layout the parts before starting.
- Do not stand or put weight on the product, this could cause damage.
- Assemble the item as close to its final position (in the same room) as possible.
- Assemble on a soft level surface to avoid damaging the unit or your floor.



- We do not recommend the use of power drill/drivers for **inserting bolts** as this could damage the unit. Only use hand screwdrivers.
- Dispose of all packaging carefully and responsibly.
- Do not tighten all bolts until bed is fully assembled.

Care and maintenance

- Only clean using a damp cloth and mild detergent, do not use bleach or abrasive cleaners.
- From time to time check that there are no loose bolts on this unit.
- This product should not be discarded with household waste. Take to your local authority waste disposal centre.

Handy Hints

- Assemble all parts and bolts loosely during assembly, only once the product is complete should you fully tighten the bolts.
- Regularly check and ensure that all bolts and fittings are tighten properly.

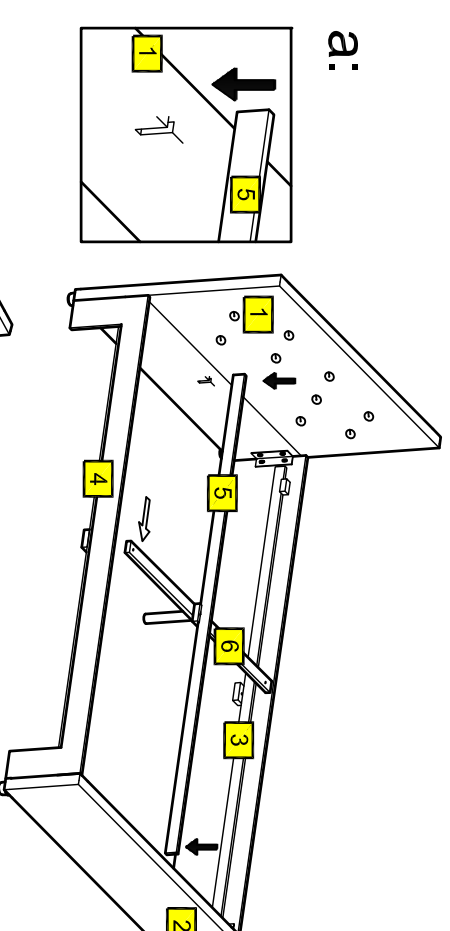
Assembly Instructions

Step 5

Attaching support bar

a: Insert the assembled Central support bar **[5]** into the Headboard **[1]** then the Footboard **[2]**.

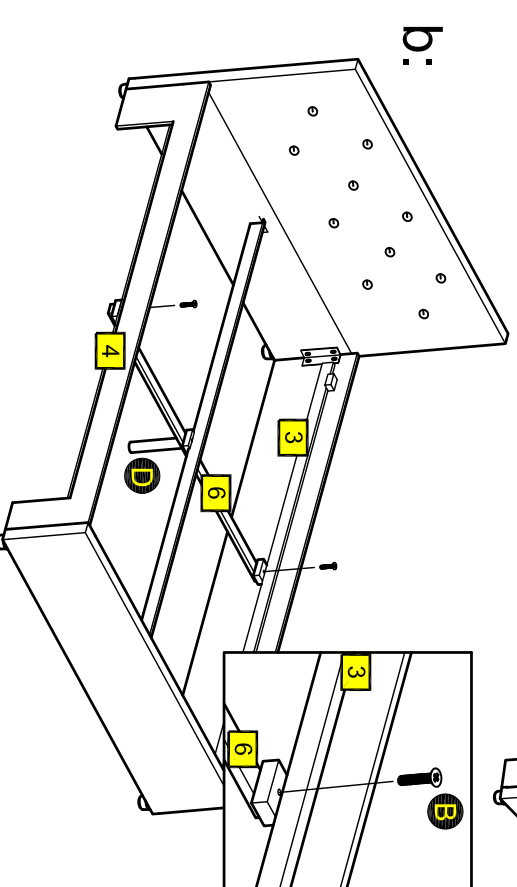
Rotate **[6]** under side support brackets.



b: Insert Bolt **[B]** through central hole on the Side rail **[3]** and through end holes and secure tightly in a clockwise direction.

Make the same for the other Side rail **[4]**.

Now secure tightly in a clockwise direction the Support leg **[D]**.

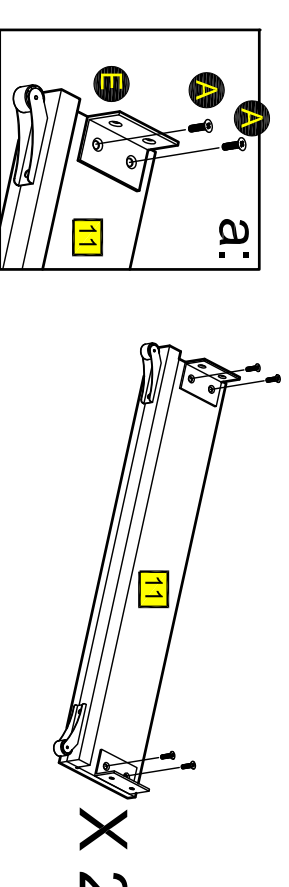


Step 6

Assembling the storage drawer

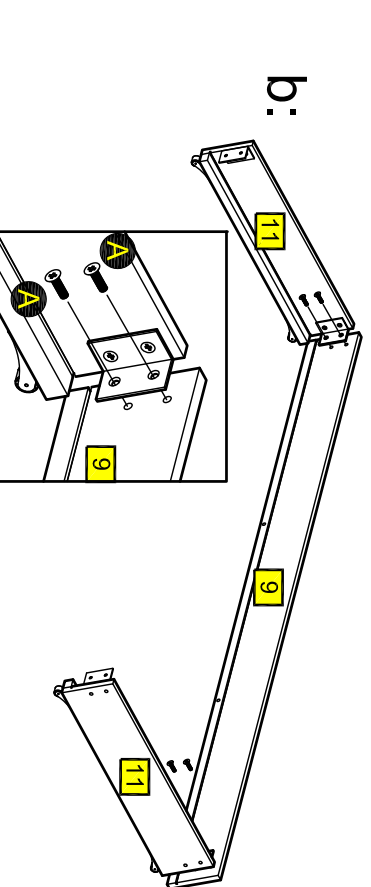
a: Fix the corner brackets **[E]** to the Side board **[11]** of the storage drawer with Bolts **[A]**.

Make the same operation with the other side board of the storage drawer **[11]**.



b: Fix the Back board **[9]** to the Side board **[11]** using Bolts **[A]**.

Repeat the operation above with the other Side board **[11]**.



Note: Do not fully tighten bolts.
Continued on next page.


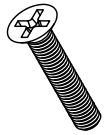
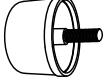
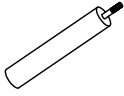
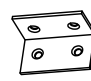
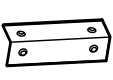
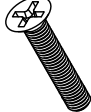
Note: if required the next page can be cut out and used as reference throughout the assembly. Keep this page with these instructions for future reference.

If you need help or have damaged or missing parts, call the **Customer Helpline: Argos = 0345 640 3030**

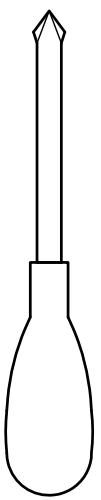
Components - Fittings

Please check you have all the fittings listed below

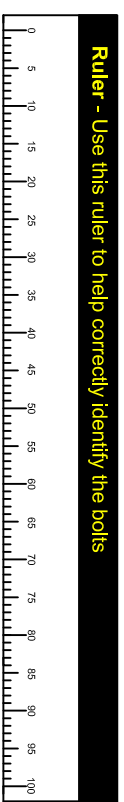
Note: the quantities below are the correct amount to complete the assembly. In some cases more fittings may be supplied than are required.

A M6x20 mm Bolt x 28 	B M6x45mm Bolt x 2 	C Leg x 4 
D Support Leg x 1 	E Angle corner x 4 	F Angle corner x 4 
G M6x50mm Bolt x 8 		

Tools required



Screwdriver (Not supplied)



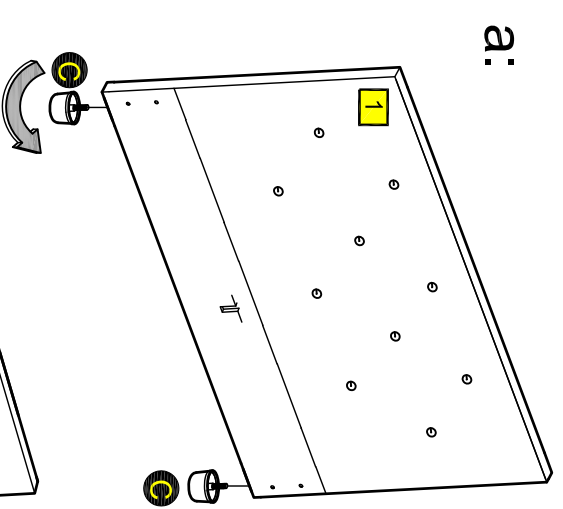
Ruler - Use this ruler to help correctly identify the bolts

Assembly Instructions

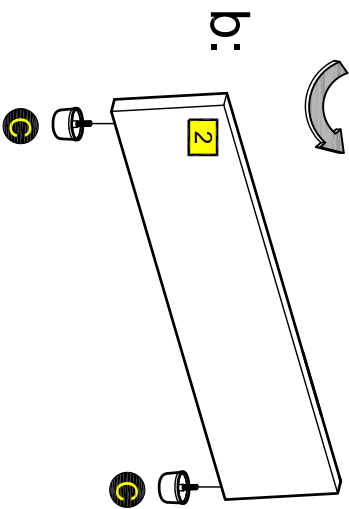
Step 1

Attaching legs

a: Insert Legs **C** into Headboard **1** and secure tightly in a clockwise direction.



b: Insert Legs **C** into Footboard **2** and secure tightly in a clockwise direction.



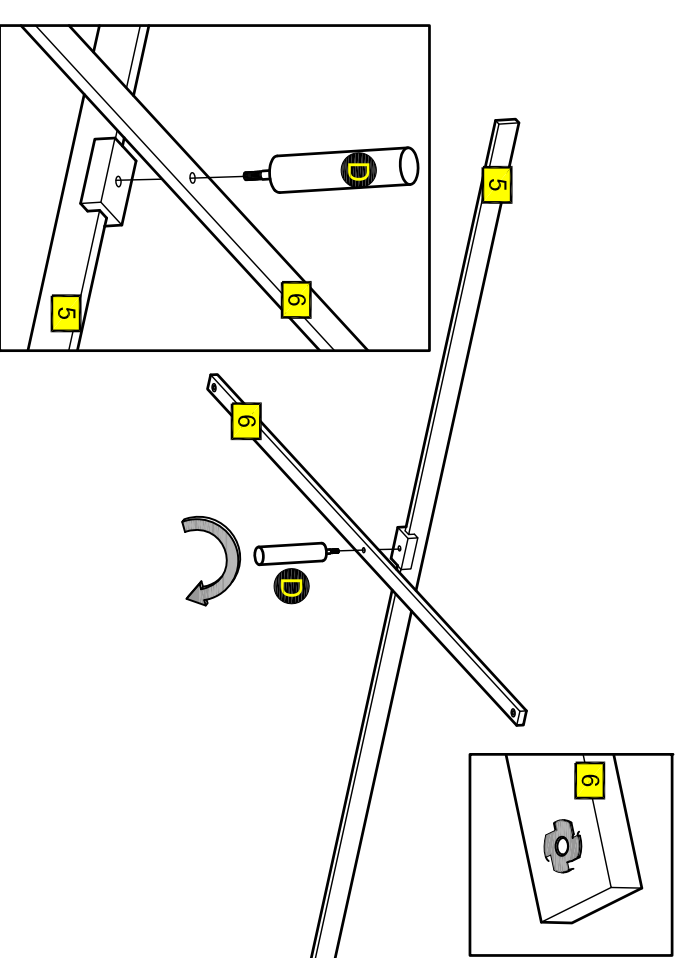
Step 2

Attaching support leg

Insert Support leg **D** in middle of Central support bar **6** and **5**, and rotate in a clockwise direction.

Central Support bar 6 attaches with metal nut down.

It's important that the Support leg **D** is not fully tightened at this stage.



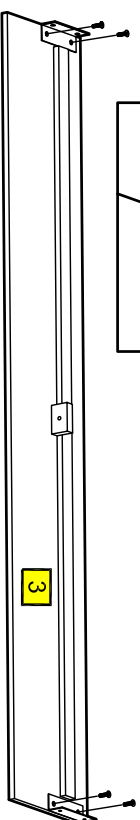
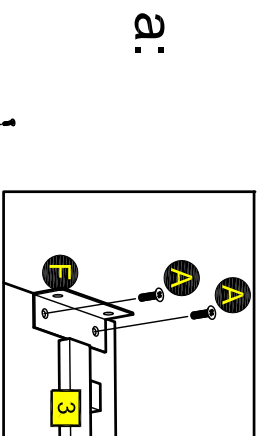
If you need help or have damaged or missing parts, call the **Customer Helpline: Argos = 0345 640 3030**

Step 3

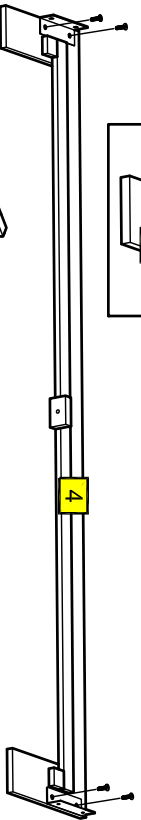
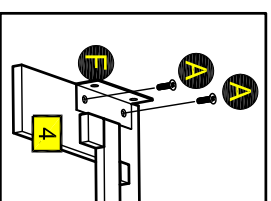
Attaching angle corners

a: Attach Angle corners **F** to Side rail **3** with Bolts **A**.

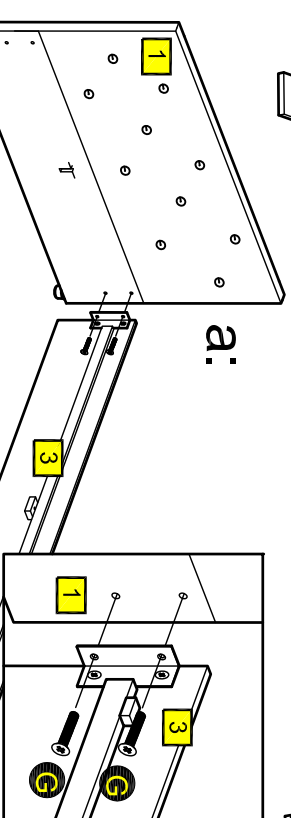
Note: Do not fully tighten.



b:

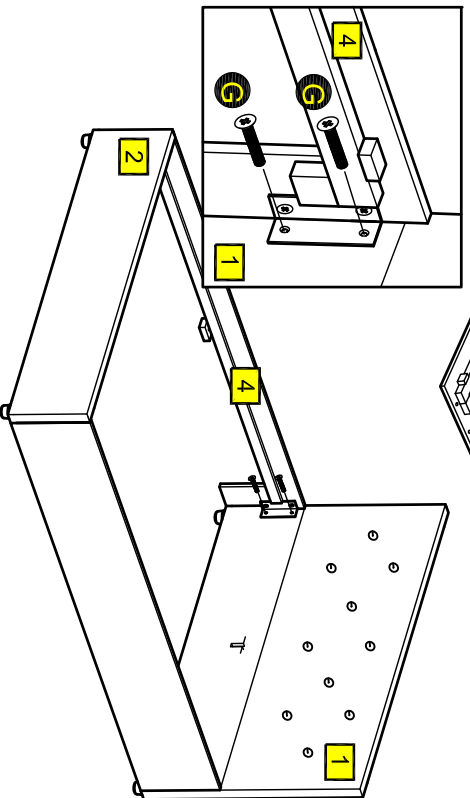


a:

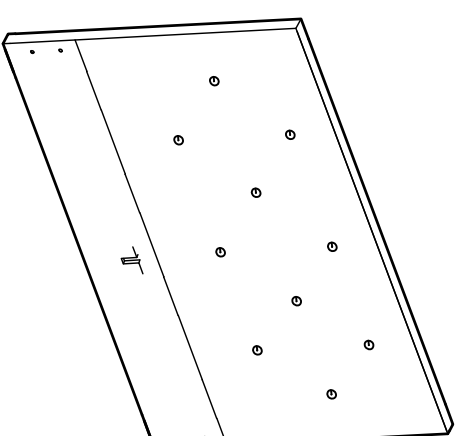


Two people are needed here. Please note drawer can be assembled left or right by swapping Side rail **3** and **4**.

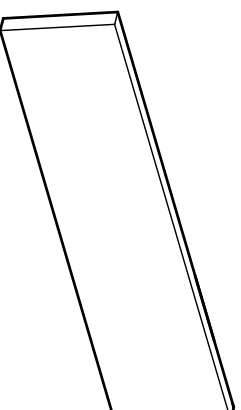
With the aid of Bolts **G** fix the Side rails **3** and **4** by Headboard **6** and Footboard **4**.



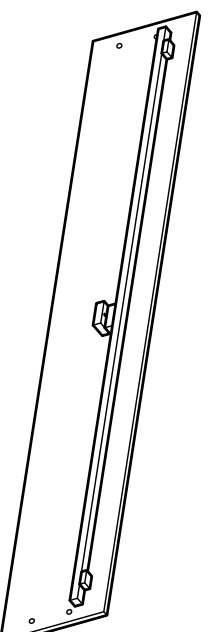
Please check you have all the parts listed below



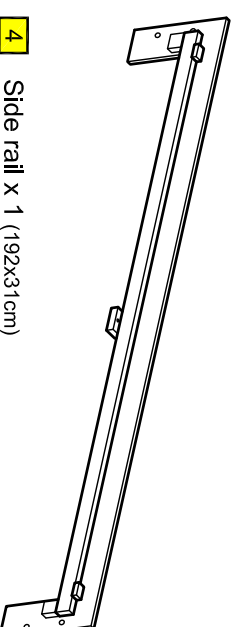
1 Headboard (125x84cm)



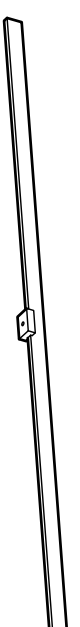
2 Footboard (125x31cm)



3 Side rail x 1 (192x31cm)



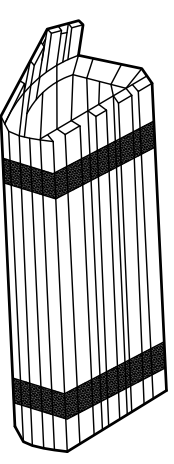
4 Side rail x 1 (192x31cm)



5 Central support bar x 1 (192x4.5cm)

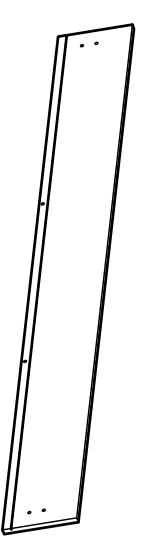


6 Central support bar (121x2.2cm)

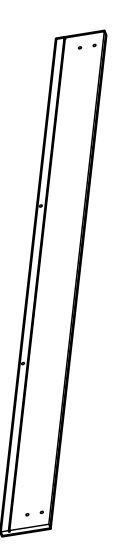


7 Slats (120.5x4.3cm)

Storage drawer



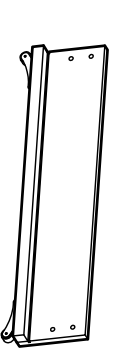
8 Front board x 1 (170.5x20.5cm)



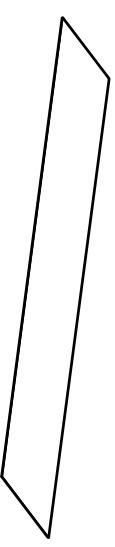
9 Back board x 1 (167.5x13.6cm)



10 Support bar x 2 (55x2cm)



11 Side board x 2 (55x17cm)



12 Bottom board x 1 (165.8x56cm)

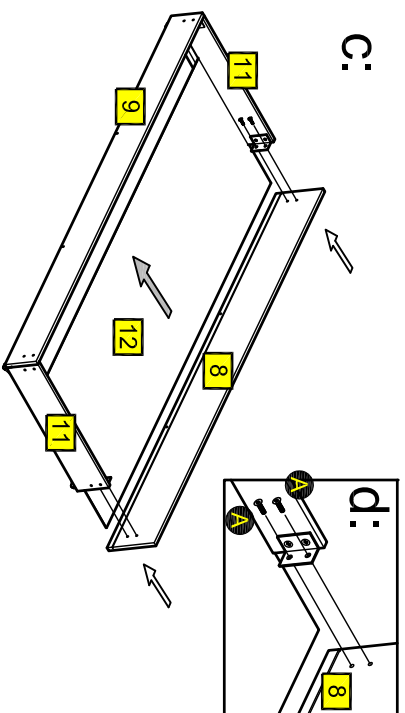
If you need help or have damaged or missing parts, call the Customer Helpline: **Argos = 0345 640 3030**

Assembly Instructions

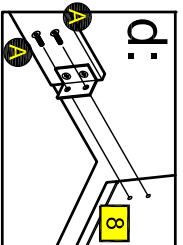
Step 6 - continued

Two people are needed here.

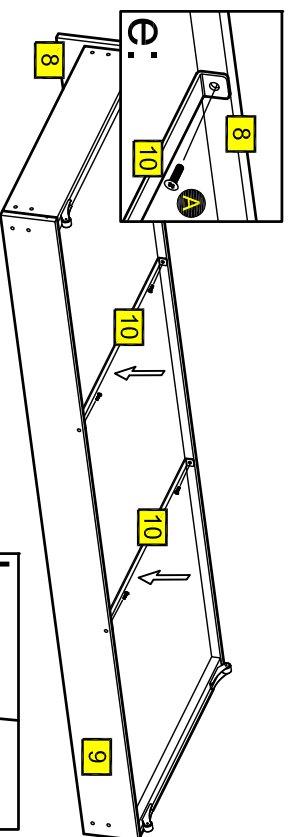
c: Slide Bottom board **12** into the grooves.



d: Attach Front board **8** to the two Side board **11** with the Bolts **A**.



e: Fix the Support bars **10** to the Front board **8** and Back board **9** with Bolts **A**.



Now fully tighten all bolts.

Step 7

Attaching slats

For this stage requires two people.

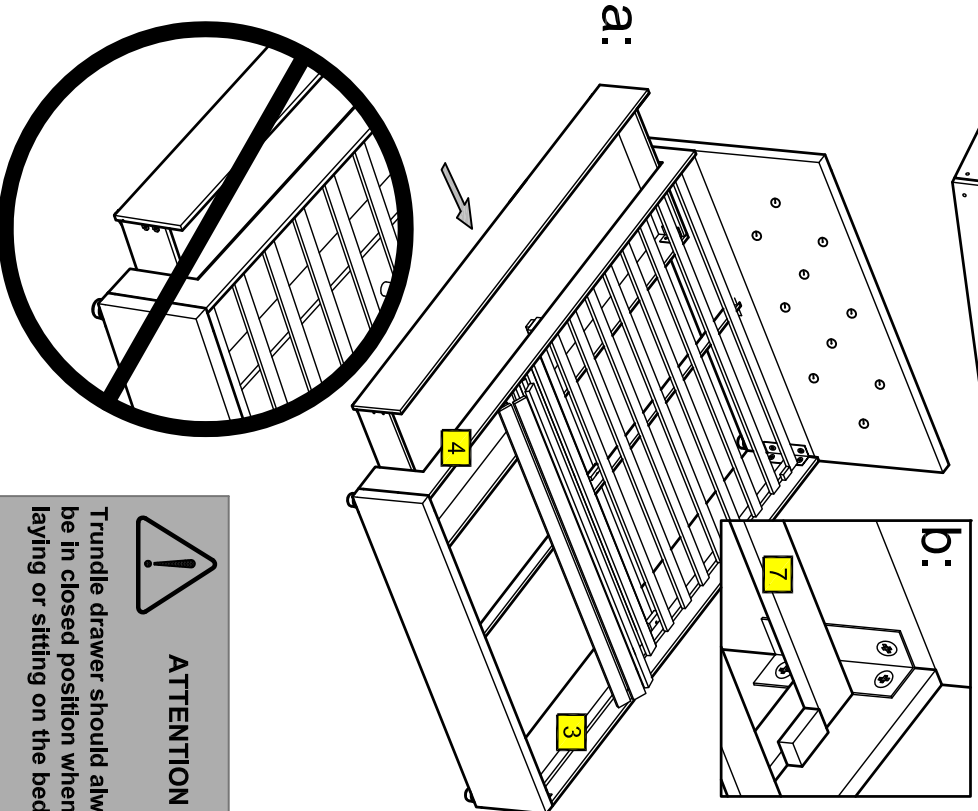
a: Insert the storage drawer in its place.

b: Roll the slats over the sides **3** and **4**, and connect slats over the wood elements that are attached on both sides of the Side Rails **3** and **4**.

Slats to be rolled out with staples on the underside.

Repeat operation for all 4 corners.

Assembly is now complete.



ATTENTION !

Trundle drawer should always be in closed position when laying or sitting on the bed .

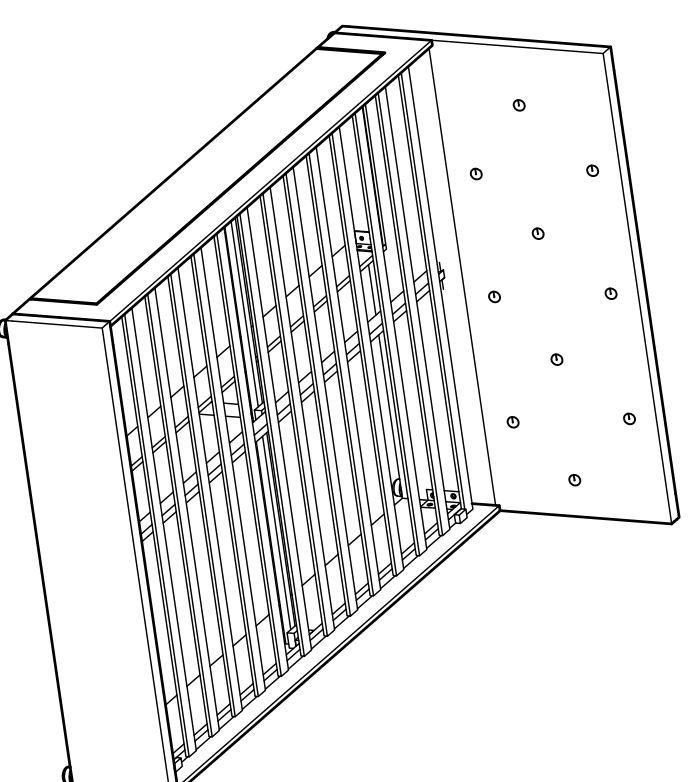
If you need help or have damaged or missing parts, call the **Customer Helpline: Argos = 0345 640 3030**

Imelda Drawer 4FT

Assembly Instructions - Please keep for future reference

Cat.no 319 / 4243

Cat.no 360 / 0892



Dimension

Width - 125cm
Length - 203cm
Height - 87cm

Important - Please read these instructions fully before starting assembly

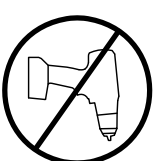
If you need help or have damaged or missing parts, call the **Customer Helpline: Argos = 0345 640 3030**



Safety and Care Advice

Important - Please read these instructions fully before starting assembly

- Check you have all the components and tools listed on pages 2 and 3.
- Remove all fittings from the plastic bags and separate them into their groups.
- Keep children and animals away from the work area, small parts could choke if swallowed.
- Make sure you have enough space to layout the parts before starting.
- Do not stand or put weight on the product, this could cause damage.
- Assemble the item as close to its final position (in the same room) as possible.
- Assemble on a soft level surface to avoid damaging the unit or your floor.



• We do not recommend the use of power drill/drivers for **inserting bolts** as this could damage the unit. Only use hand screwdrivers.

- Assemble on a soft level surface to avoid damaging the unit or your floor.
- Dispose of all packaging carefully and responsibly.
- Do not tighten all bolts until bed is fully assembled.

Care and maintenance

- Only clean using a damp cloth and mild detergent, do not use bleach or abrasive cleaners.
- From time to time check that there are no loose bolts on this unit.
- This product should not be discarded with household waste. Take to your local authority waste disposal centre.

Handy Hints

- Assemble all parts and bolts loosely during assembly, only once the product is complete should you fully tighten the bolts.
- Regularly check and ensure that all bolts and fittings are tighten properly.

Assembly Instructions

Step 5

Attaching support bar

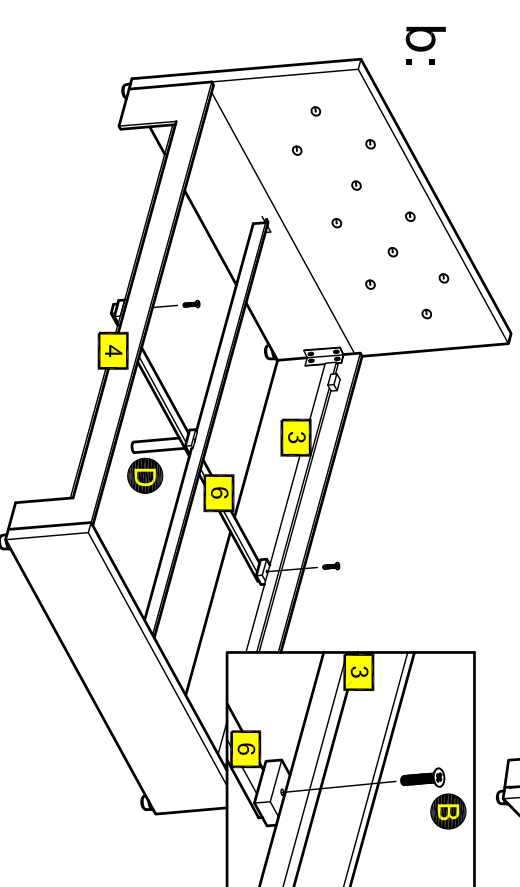
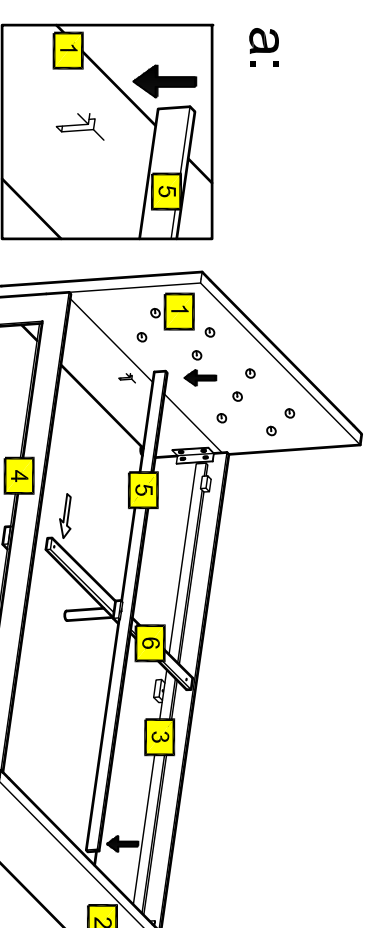
a: Insert the assembled Central support bar **5** into the Headboard **1** then the Footboard **2**.

Rotate **6** under side support brackets.

b: Insert Bolt **B** through central hole on the Side rail **3** and through end holes and secure tightly in a clockwise direction.

Make the same for the other Side rail **4**.

Now secure tightly in a clockwise direction the Support leg **D**.



Step 6

Assembling the storage drawer

a: Fix the corner brackets **E** to the Side board **11** of the storage drawer with Bolts **A**.

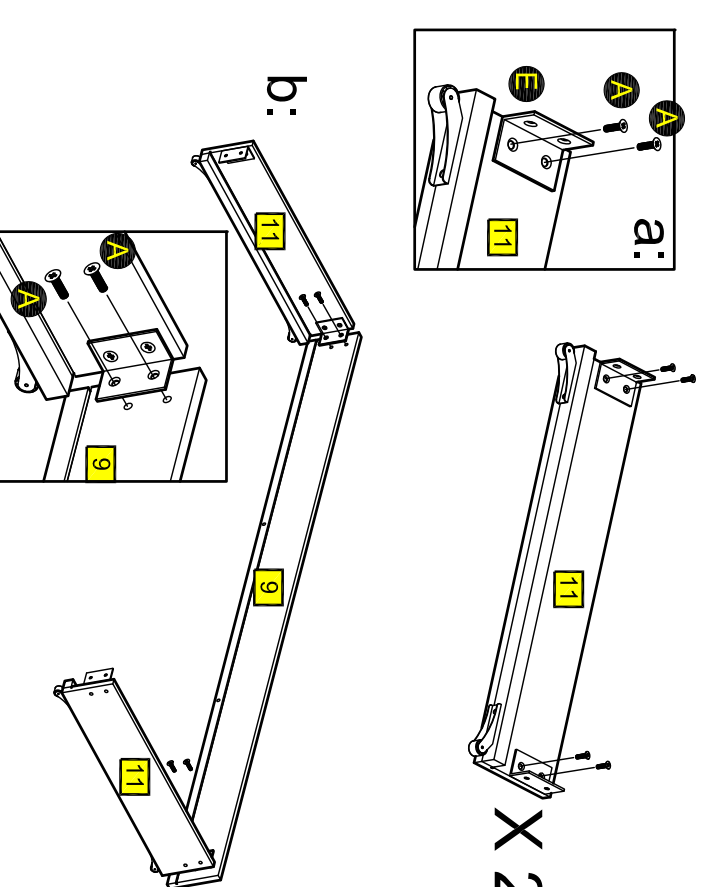
Make the same operation with the other side board of the storage drawer **11**.

b: Fix the Back board **9** to the Side board **11** using Bolts **A**.

Repeat the operation above with the other Side board **11**.

Note: Do not fully tighten bolts.

Continued on next page.




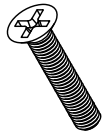
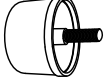
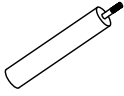
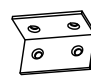
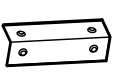
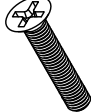
Note: if required the next page can be cut out and used as reference throughout the assembly. Keep this page with these instructions for future reference.

If you need help or have damaged or missing parts, call the **Customer Helpline: Argos = 0345 640 3030**

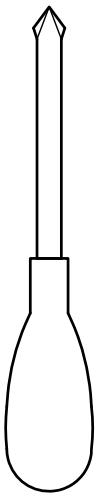
Components - Fittings

Please check you have all the fittings listed below

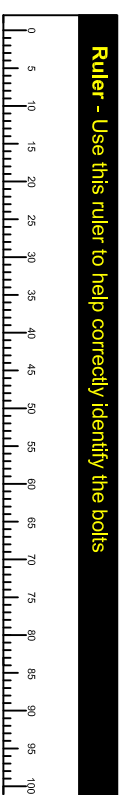
Note: the quantities below are the correct amount to complete the assembly. In some cases more fittings may be supplied than are required.

A M6x20 mm Bolt x 28 	B M6x45mm Bolt x 2 	C Leg x 4 
D Support Leg x 1 	E Angle corner x 4 	F Angle corner x 4 
G M6x50mm Bolt x 8 		

Tools required



Screwdriver (Not supplied)



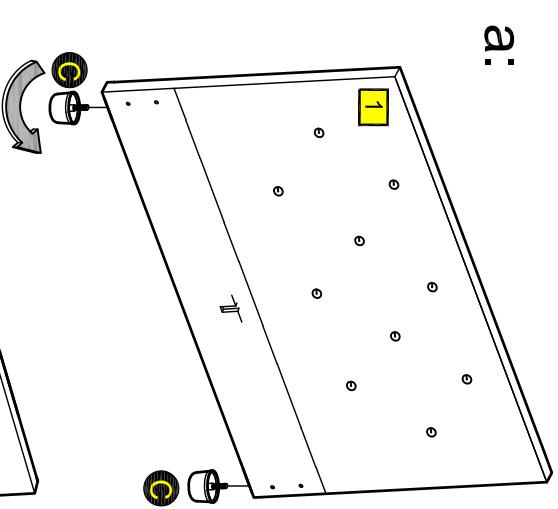
Ruler - Use this ruler to help correctly identify the bolts

Assembly Instructions

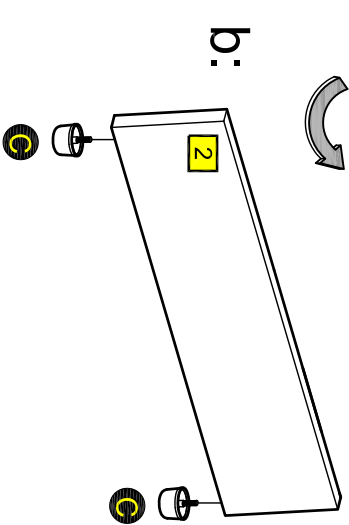
Step 1

Attaching legs

a: Insert Legs **C** into Headboard **1** and secure tightly in a clockwise direction.



b: Insert Legs **C** into Footboard **2** and secure tightly in a clockwise direction.



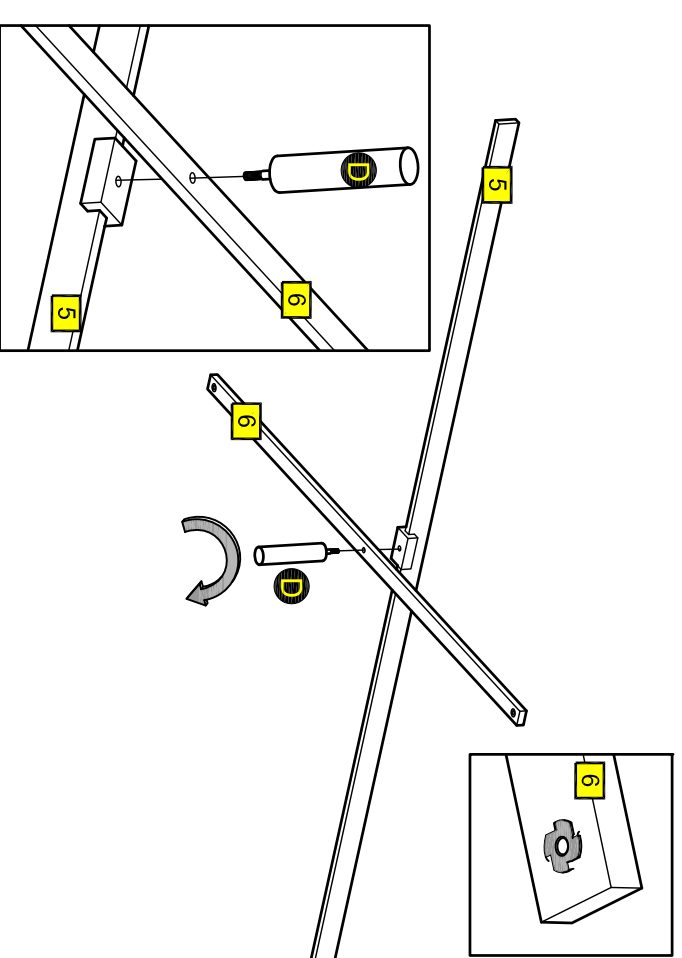
Step 2

Attaching support leg

Insert Support leg **D** in middle of Central support bar **6** and **5**, and rotate in a clockwise direction.

Central Support bar **6** attaches with metal nut down.

It's important that the Support leg **D** is not fully tightened at this stage.



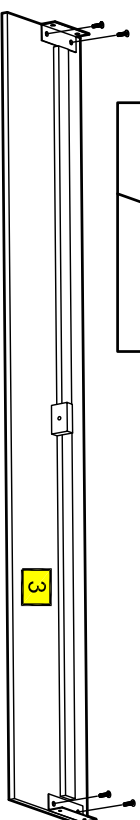
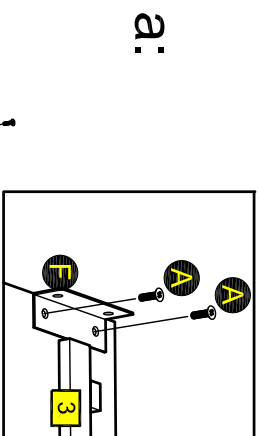
If you need help or have damaged or missing parts, call the **Customer Helpline: Argos = 0345 640 3030**

Step 3

Attaching angle corners

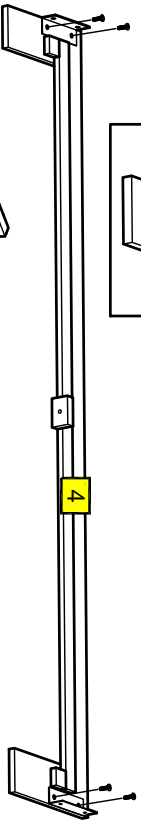
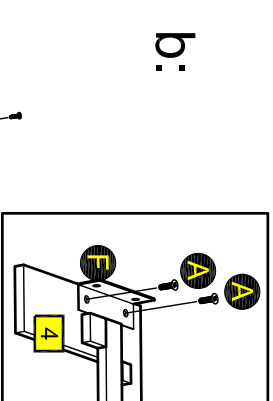
a: Attach Angle corners **F** to Side rail **3** with Bolts **A**.

Note: Do not fully tighten.



a:

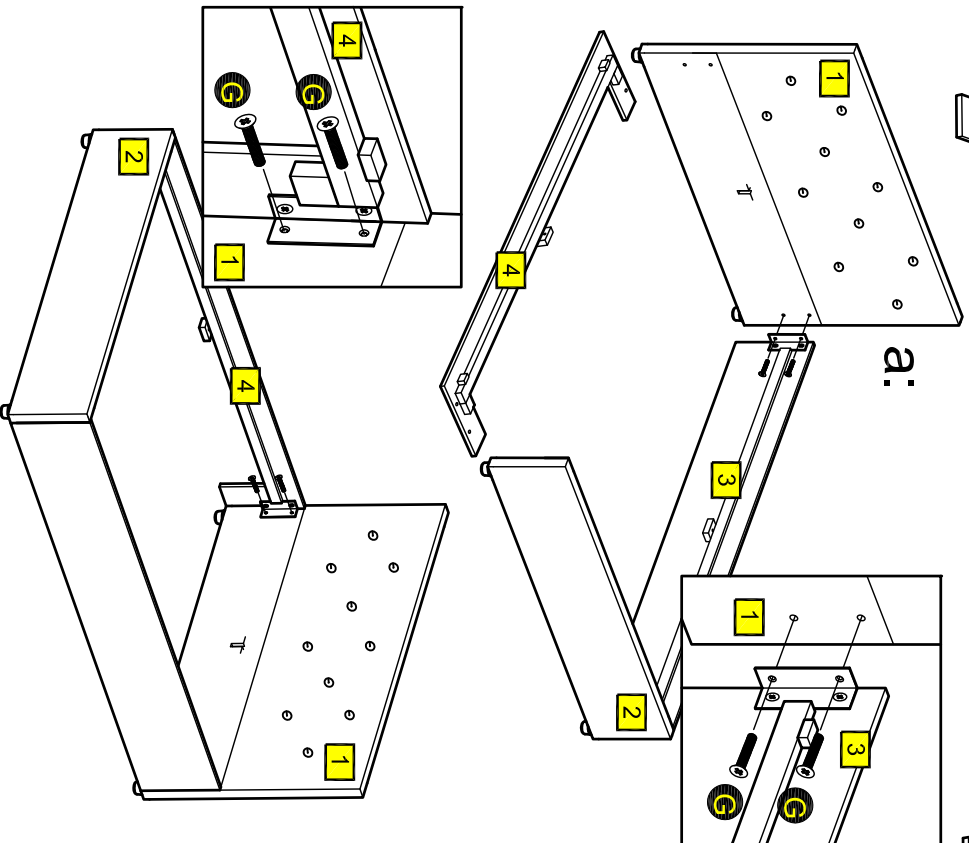
b: Attach Angle corners **F** to Side rail **4** with Bolts **A**.



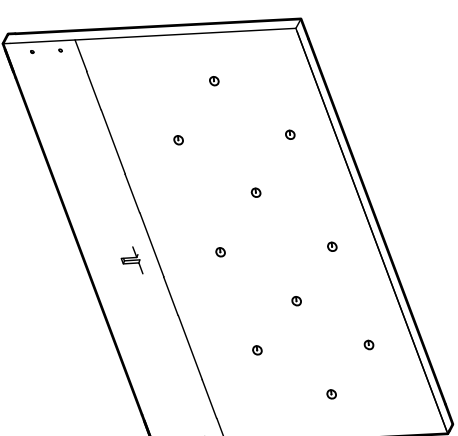
b:

a:

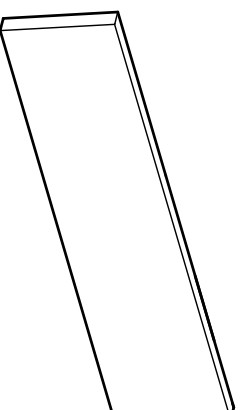
Two people are needed here. Please note drawer can be assembled left or right by swapping Side rail **3** and **4**. With the aid of Bolts **G** fix the Side rails **3** and **4** by Headboard **6** and Footboard **4**.



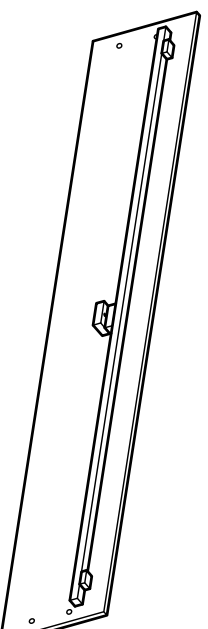
Please check you have all the parts listed below



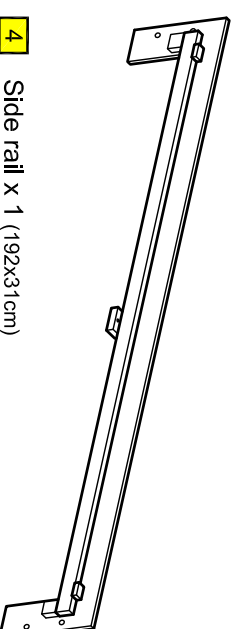
1 Headboard (125x84cm)



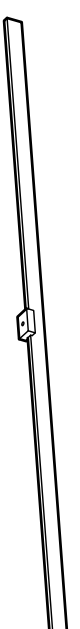
2 Footboard (125x31cm)



3 Side rail x 1 (192x31cm)



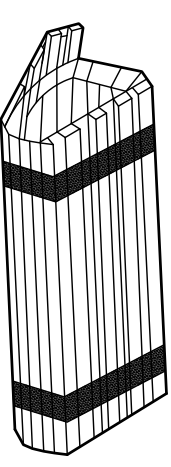
4 Side rail x 1 (192x31cm)



5 Central support bar x 1 (192x4.5cm)

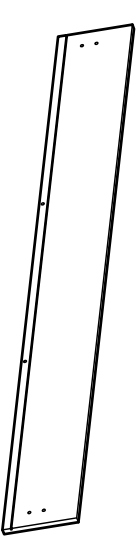


6 Central support bar (121x2.2cm)

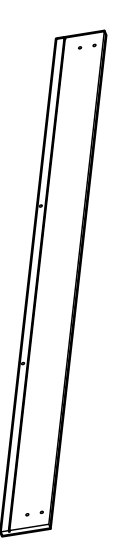


7 Slats (120.5x4.3cm)

Storage drawer



8 Front board x 1 (170.5x20.5cm)



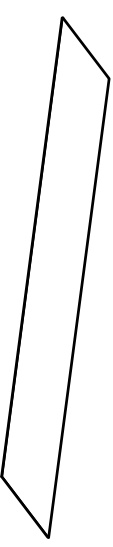
9 Back board x 1 (167.5x13.6cm)



10 Support bar x 2 (55x2cm)



11 Side board x 2 (55x17cm)



12 Bottom board x 1 (165.8x56cm)

If you need help or have damaged or missing parts, call the Customer Helpline: Argos = 0345 640 3030