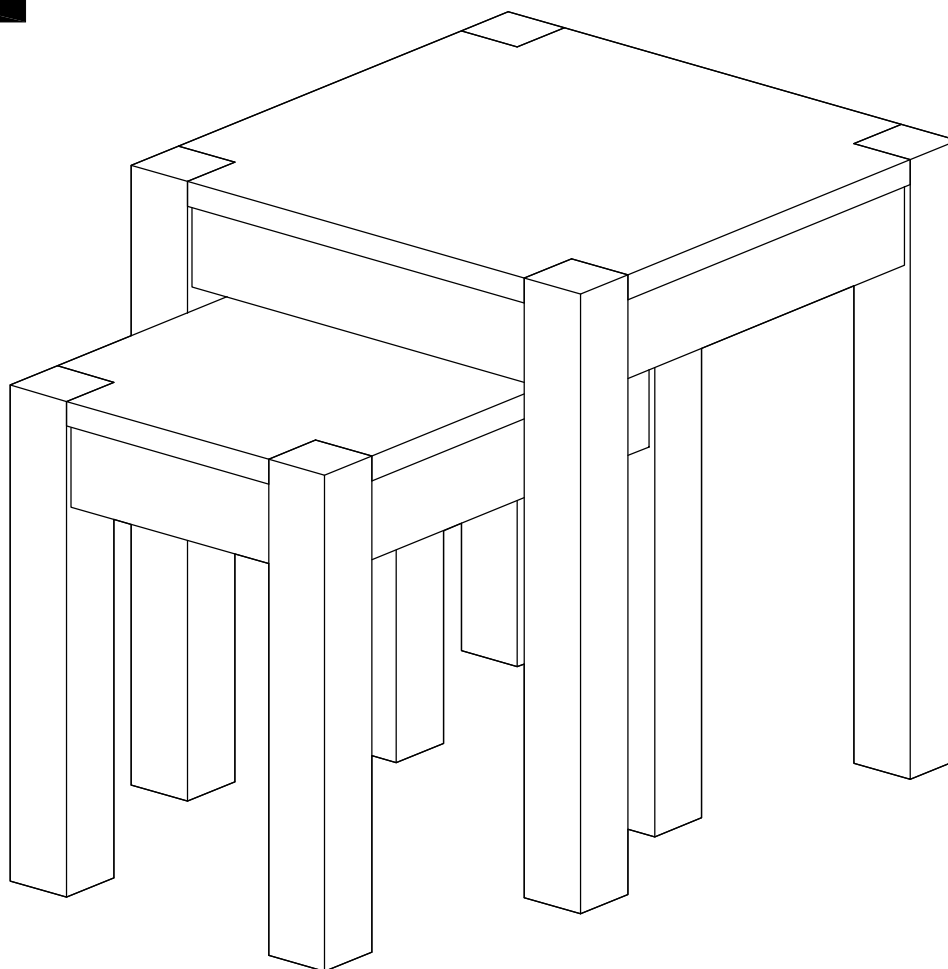
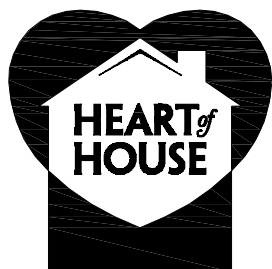


Alston Nest Of 2 Tables

Assembly Instructions - Please keep for future reference

3222933



Dimensions

Width - 40 cm
Depth - 40 cm
Height - 45 cm

Important - Please read these instructions fully before starting assembly

If you need help or have damaged or missing parts, call the **Customer Helpline: 0345 640 0800**



Safety and Care Advice

Important - Please read these instructions fully before starting assembly

◦ Check you have all the components and tools listed on pages 2 and 3.

◦ Remove all fittings from the plastic bags and separate them into their groups.

◦ Keep children and animals away from the work area, small parts could choke if swallowed.

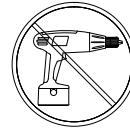
◦ Make sure you have enough space to layout the parts before starting.

◦ Do not stand on the product, this could cause damage.

◦ Assemble the item as close to its final position (in the same room) as possible.

◦ Assemble on a soft level surface to avoid damaging the unit or your floor.

◦ Parts of the assembly will be easier with 2 people.



◦ We do not recommend the use of power drill/drivers **for inserting screws**, as this could damage the unit. Only use hand screwdrivers.

◦ Dispose of all packaging carefully and responsibly.

Solid Wood / Real Wood Veneers

- This product has been finished using natural materials. As a living material, you may notice some variation in the grain and colour shade between the different components.
- Unlike a synthetic or man-made material which has a uniform finish, a feature of natural wood is its variation in grain and colour. We wish to reassure you that this is quite normal and is not the result of any manufacturing fault.
- Where sheets of wood are joined together, a line may be detected. Again, this is normal and is not an imperfection.
- Nature wood and veneers often have random pale markings in the grain, there are medullary rays which are a natural unique feature of the wood.

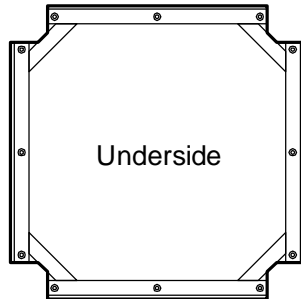
Care and maintenance

- Only clean using a damp cloth and mild detergent, do not use bleach or abrasive cleaners.
- From time to time check that there are no loose screws on this unit.
- This product should not be discarded with household waste. Take to your local authority waste disposal centre.
- Always use a non-silicone based furniture polish. Silicone in furniture polishes can break down the lacquer finish.
- Any spills should be removed immediately with a soft clean damp cloth and dried immediately.
- Ensure the product is protected with mats and coasters when items are placed on the surfaces, to prevent scratching or damage.
- Use non-silicone bees wax to maintain the shine. Do not use furniture polish.
- Avoid keeping furniture in direct sunlight or close to any heat sources as this can cause cracking, discoloration or warping.
- Never drag pieces of furniture across the floor as this will cause damage to the joints.
- Do not put hot dishes directly on the surfaces of the item.

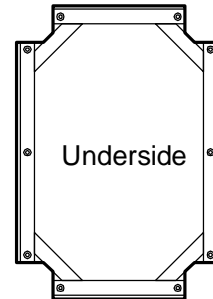
Components - Parts

If you have damaged or missing components,
call the **Customer Helpline: 0345 640 0800**

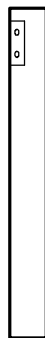
Please check you have all the parts listed below



1 Large table top
(40 x 40 cm)



3 Small table top
(28 x 40 cm)



2 Large table leg x 4
(45 x 5 cm)



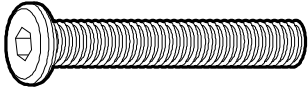


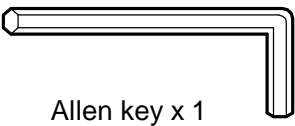
4 Small table leg x 4
(36 x 5 cm)

Components - Fittings

If you have damaged or missing components, call the **Customer Helpline: 0345 640 0800**

Please check you have all the fittings listed below

Note: The quantities below are the correct amount to complete the assembly. In some cases more fittings may be supplied than are required.

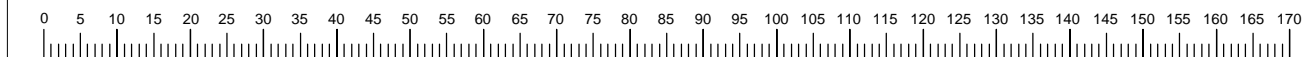
A  M6x50 bolt x 16	B  Spring washer x 16	C  Flat washer x 16
D  Allen key x 1		

Tools required



Ruler/tape
measure

Ruler - Use this ruler to help correctly identify the bolts



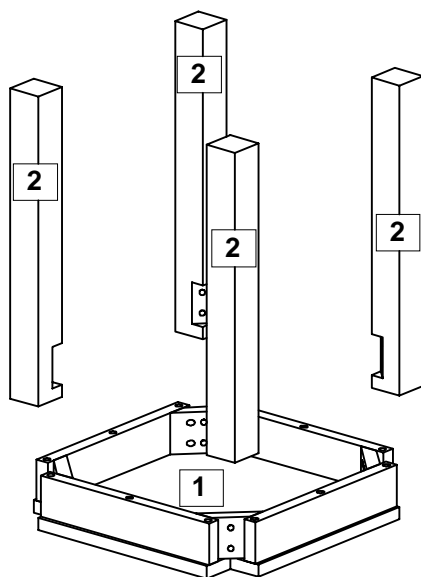
Assembly Instructions

Step 1

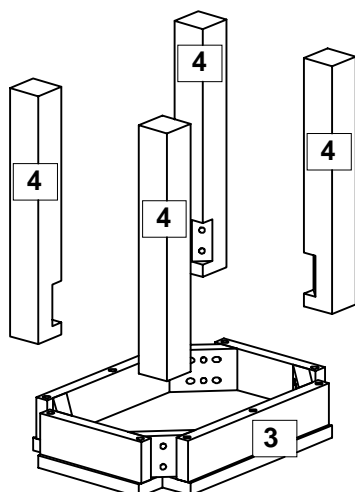
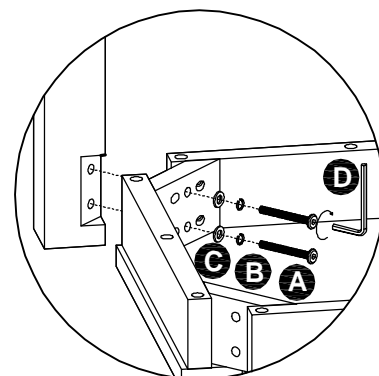
Assembling legs

Place tops **1** and **3** upside down onto a clean flat surface.

Assemble legs **2** and **4** onto tops **1** and **3** respectively and secure using fixings **A**, **B** and **C**.



Large table

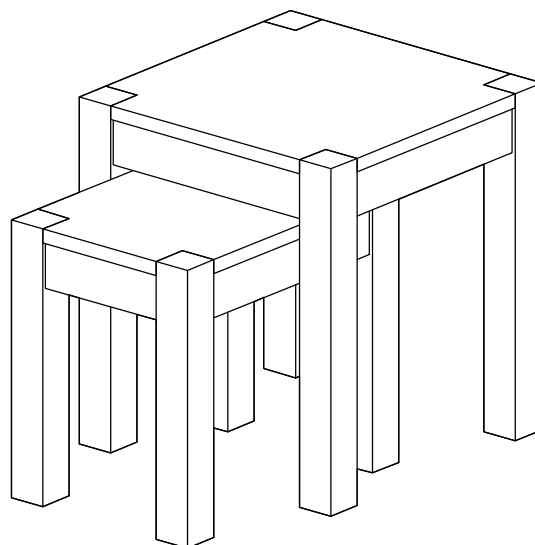


Small table

Step 2

Stand tables upright

Turn the tables upright.



Assembly is complete

If you need help or have damaged or missing parts, call the **Customer Helpline: 0345 640 0800**
Home Retail Group, 489-499 Avebury Boulevard, Saxon Gate West. Central Milton Keynes MK9 2NW