

GPS mini Watch User Manual

Introduction

Thank you for purchasing the GPS mini Watch. This GPS Watch is packed with personal Training features like speed, trip time, laps, etc. Watch features include but not limited to the following:

- 12/24H Time format
 - World time
 - Dual Time T1 and T2
 - 5 daily Alarms
 - RUN mode
 - Chronograph mode
 - Data mode
 - Set modes
- ❖ This Watch can communicate with a PC to store and review your performance.
 - ❖ This Watch uses a rechargeable battery that can be charged through USB port of your PC.

Caring for your GPS Watch:

Clean your GPS Watch with a dampened cloth preferably with mild detergent solution. Wipe dry using a dry cloth. Do not use chemical cleaners and solvents that may damage plastic components.

Do not store your GPS Watch to prolonged exposure to extreme temperatures as this may result to permanent damage to your unit.

About GPS:

Global Positioning System (GPS) is a satellite- based navigation system made up of a network of 24 or more satellites. GPS works best in clear weather condition, anywhere in the world, 24 hours a day. Tall buildings may interfere with GPS accuracy. When 3 satellite signals are received, the Watch will have 2D GPS fixed (Latitude and Longitude). When 4 or more satellite signals are received, the Watch will have 3D GPS Fixed.

Water immersion:

This GPS Watch is designed to be water resistant up to 3 ATM. It can resist water pressure up to 30 meters. After submersion to water, please make sure to wipe dry and air dry the unit before using or charging.

Caution:

- ❖ Prolonged water submersion may cause electronic shorting in the unit which may cause minor skin burn or irritation.

Getting Started

Step 1) Know your Watch:

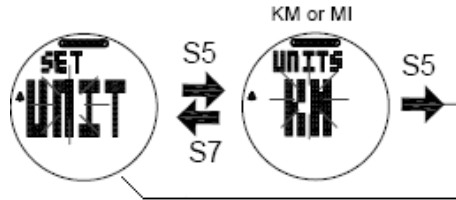
Push button location:



Push button Main function:

- S1** – Start / Stop / Save / Increase adjust (+)
- S5** – View / OK
- S7** – Change Mode / Exit
- S11** – Light / Set / Save / Lap / Decrease adjust (-)

How to set the UNITS:

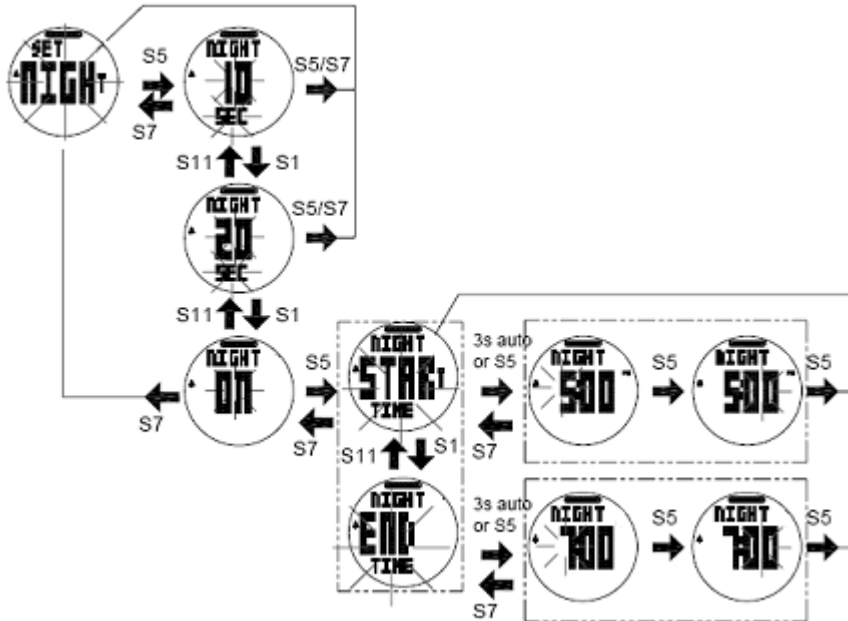


How to set USER details:



- Age range: 7 to 99 default: 25
- Weight range: 20- 255 KG (44-561 LBS) default 65 KG (143 LBS)
- Height range: 91-241 cm (3'00" to 7'11")

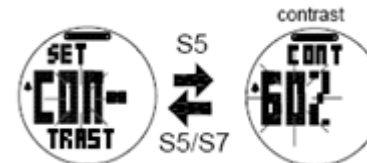
How to set the NIGHT mode function:



Night mode settings:

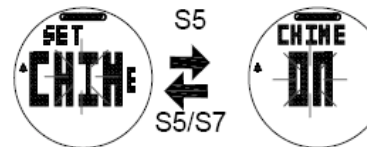
- **10 SECONDS** – Press S11 will turn ON the Light for 10 seconds.
- **20 SECONDS** – Press S11 will turn ON the Light for 20 seconds.
- **NIGHT ON** – Default Start Time / END Time for NIGHT ON setting is 5 PM to 7 AM.
 - Following are the characteristics of **NIGHT ON** setting:
 - o Start Time and END TIME for NIGHT ON setting can be changed in SET mode/ NIGHT.
 - o When the Night setting is ON, pressing any button within the Start Time / End Time will turn ON the EL for 10 seconds.
 - o Outside the Start time / End Time, only press S11 will turn ON the EL for 10 seconds.
 - o When the chronograph is running within the Start Time/ End Time, the EL will be always ON. It will turn OFF 10 seconds after the chronograph is stopped.

How to set the LCD display CONTRAST:



Contrast range = 10 to 100%

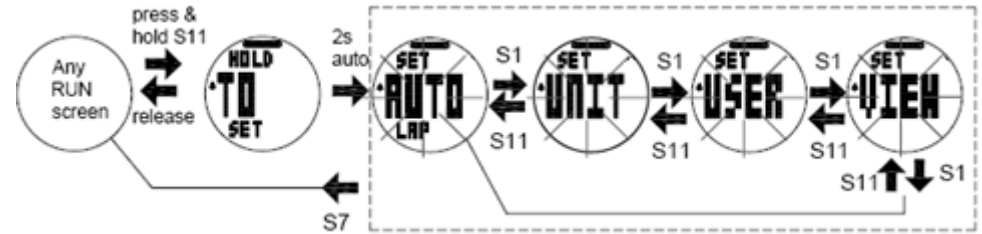
How to set the CHIME:



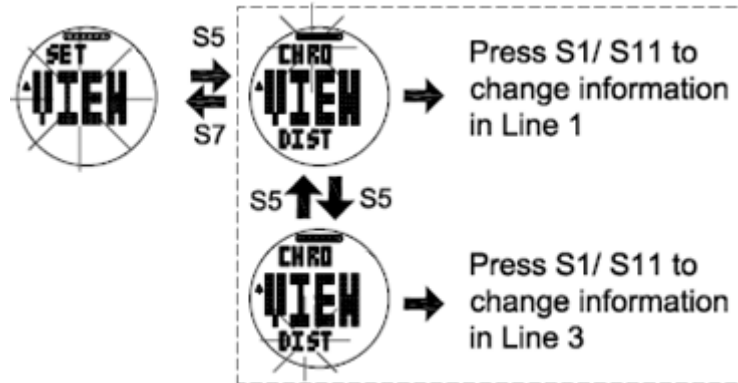
- When Chime is ON, the Vibration alarm function is also ON.

How to set the ALARM:



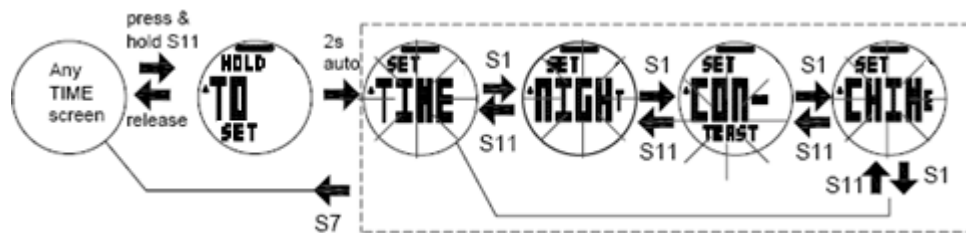


How to set the VIEW



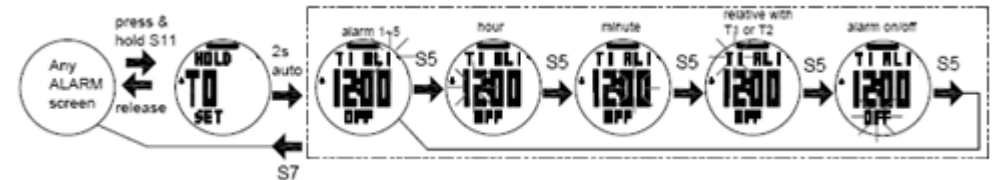
You can select what information to display in Line 1 & Line 3 for **RUN** mode

3.2) TIME, NIGHT, CONTRAST, & CHIME, can also be set in TIME quick SET mode.



3.3) AUTO LAP, UNITS, USER, and VIEW can also be set in RUN quick SET mode.

3.4) ALARM can also be set in ALARM quick SET mode.



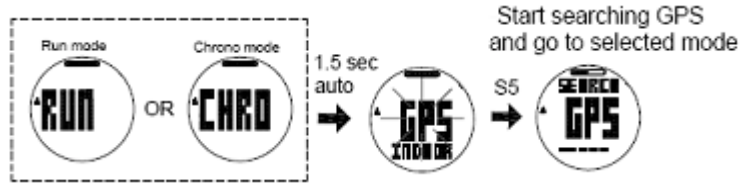
Step 4) Acquire Satellite signals:

In order to get the correct time of day and begin using your watch, you have to acquire the Satellite signals. It may take a few minutes to get the signals.

- 4.1) Go outside to an open area away from tall buildings and trees. Orient the GPS antenna towards the sky for best reception. The antenna is located at the 12 o'clock position of the watch.
- 4.2) Stand still and do not begin moving while locating the Satellites until the GPS signals are already received.
- 4.3) **How to Turn ON the GPS:** Following are the possible ways to turn on the GPS.
 - 4.3.1) **Press S1** in **TIME** mode. The Watch will display the GPS / INDOOR selection screen. Select GPS and press S5. The watch will start searching for GPS and go to RUN mode.



4.3.2) Press S7 to enter RUN or CHRONO mode.

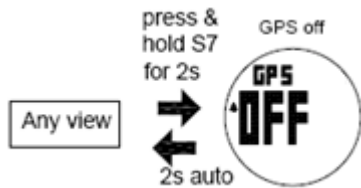


4.3.3) Press and hold S7 for 2 seconds from any mode while GPS is initially OFF.

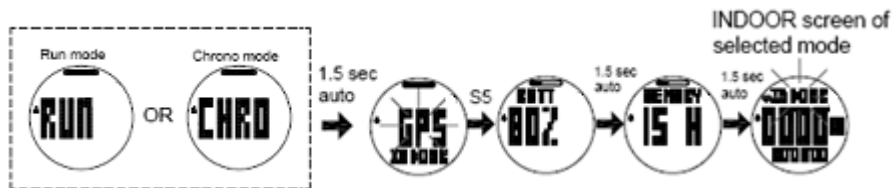


4.4) How to turn OFF the GPS:

4.4.1) Press and hold S7 for 2 seconds from any mode while GPS is initially ON.



4.4.2) Press S7 to enter RUN or CHRONO mode. Select INDOOR and press S5 to confirm.



4.4.3) When the chronograph is stopped and reset in any mode, the GPS will go to TIME mode after 10 minutes and the GPS will be on Standby mode (GPS ring icon flashing). The GPS will auto turn OFF after 1 hour (GPS ring icon is OFF).

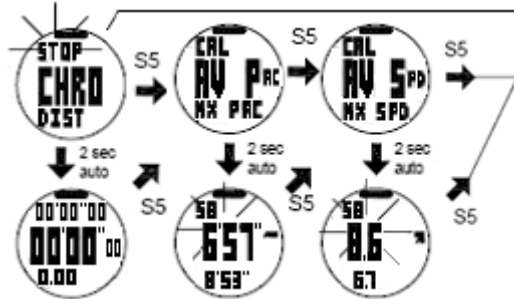
GPS signals and its meaning:

GPS signal searching	
GPS signal received	
No GPS signal	
GPS Standby	

You will hear a beep sound when the Watch has received a GPS signal or when the GPS signal has been lost. LOST GPS signal will also be displayed in the screen.

- The watch will remember your previous screen view the next time you come back to RUN mode.

5.1.4) How to view your current data before saving while the chronograph is stopped. Following are the information as you press S5:



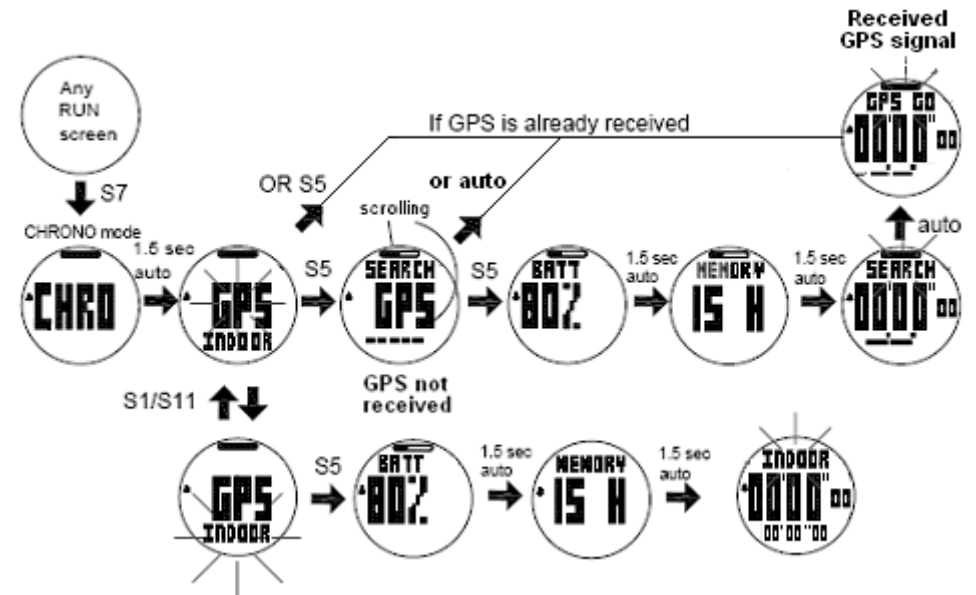
Notes:

- Before going for a run exercise, it is highly recommended that you set your user profile first so that the calories will be calculated properly. Go to **SET mode/USER**.
- When the Chronograph is stopped and reset in RUN mode, if no activity for 10 minutes, the GPS will be on Standby mode (GPS ring icon flashing) and return to TIME mode.
- While in RUN mode, then the GPS signal suddenly becomes weak lost for any reason, the Watch will display LOST GPS signal until it receives GPS signal again.
- Maximum of 15 hours of track record / 30 data files/ 100 laps for each data file can be saved in memory.

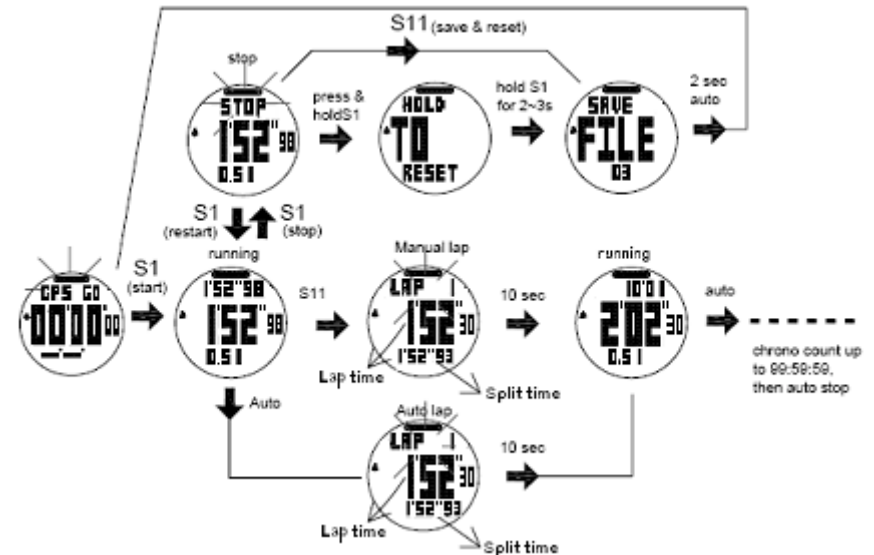
5.2) Using Chronograph mode:

RUN mode & CHRONO mode has the same chronograph counter. When the chronograph is started or stopped in RUN mode, the same thing happens in CHRONO mode.

5.2.1) How to enter CHRONO mode:



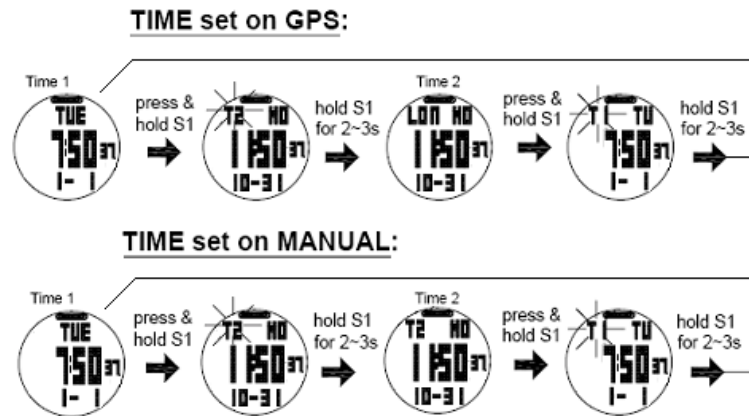
5.2.2) How to START, take LAP, STOP, and SAVE:



- The watch will take Auto Lap based on the Distance set in Auto Lap setting.

TIME mode

- How to enter TIME mode:

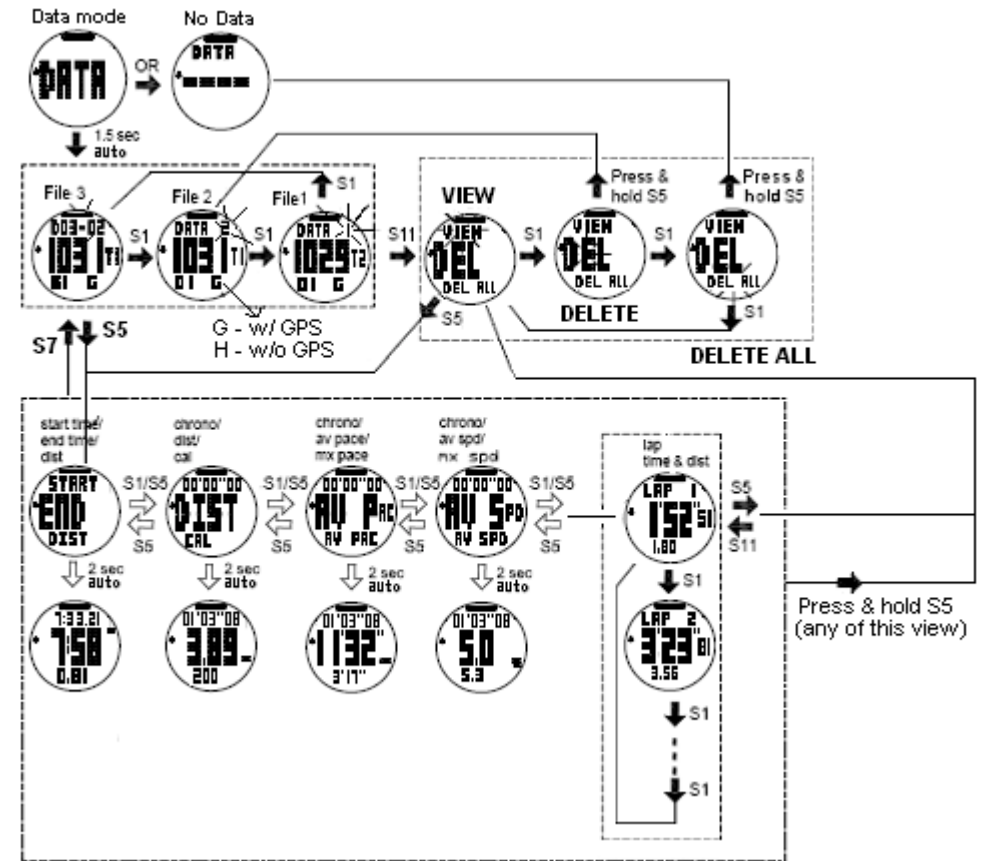


Travelling between different Time zones

- When you are traveling to a different Time zone, you have to set your GPS Watch to your destination Time zone. We recommend setting **Time 1** to your current location and **Time 2** set to your destination Time zone.
- When you arrive to your destination Time zone, press & hold S1 for 2-3 seconds to change the time to **Time 2**.
- When you go back to your original location (Time 1), press & hold S1 for 2-3 seconds to change the time back to **Time 1**.
- The Time of the Watch will be synchronized with **GPS TIME** when you turn **ON** the **GPS**.
- Make sure that the Watch is set to the correct **CITY CODE** and **DST ON** or **OFF** setting so that it can display the correct time.

DATA mode

- How to enter DATA mode, view details, and delete Data:



Data numbering system/ Legend:

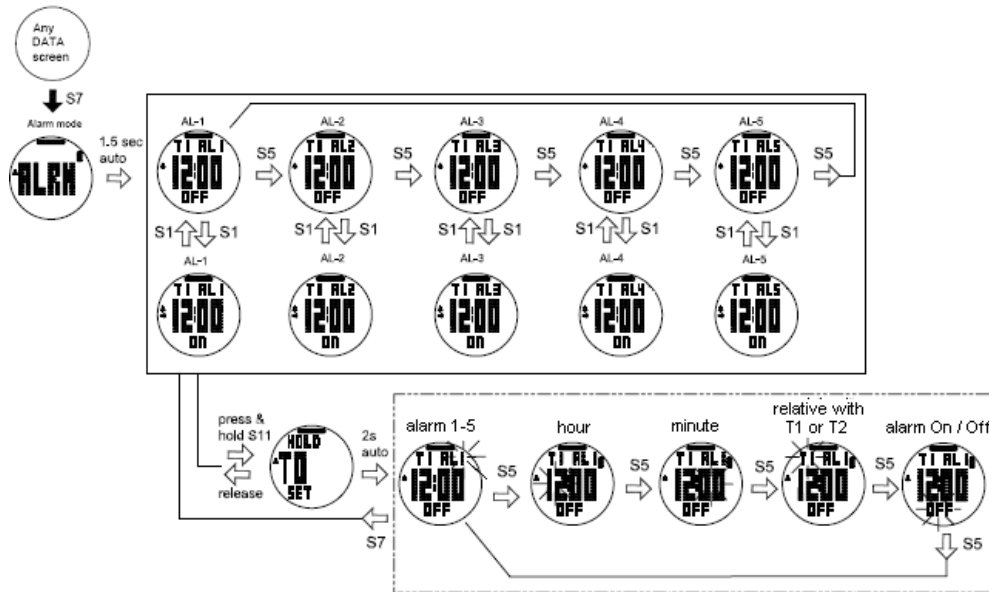


Sample data number: **D03 03 1031 – 1 02 G**

D	Data
03	Total number of files
03	File number counter
10	Month
31	Date
1	Refer to Time 1 or 2 for time 2
02	File number of the day
G	GPS workout, H for INDOOR workout

ALARM mode

- Alarm will sound for 20 seconds at alarm time. Pressing any button will stop the alarm sound without the button function. When Alarm is ON, the alarm icon is displayed in all modes.
- How to enter ALARM mode (ALARM setting):



Battery:

The Watch is using a rechargeable Lithium Ion battery that will require about 4.5 hours charging time. While battery is charging, the Watch cannot be used and all buttons are disabled. User needs to recharge the battery when the Watch indicates a "low batt".

Battery Life (full charge): 8 hrs typical (continuous GPS).

GPS watch troubleshooting guide:

PROBLEM/ QUESTION	SOLUTION/ ANSWER
I cannot get a GPS signal	Take your GPS Watch outdoors and away from trees and tall buildings. Remain stationary and try acquiring GPS signal again. Be sure that the antenna is pointing towards the sky for better signal reception.
Can I reset the Watch?	You can reset the Watch by pressing S1, S5, S7, and S11 together. The date and time will be reset to default values. You can set it again manually or automatically thru GPS.
Will my data and personal settings be lost after Watch reset?	Your data and personal settings are saved in the flash memory and will not be lost after Watch reset.
The battery indicator does not seem to be accurate	Allow your GPS Watch to fully discharge and then fully charge it without interruption. It is recommended to regularly re-charge your battery every 1-2 months even if it is not used to maintain good battery condition.

Key Function Matrix

		Keys							
Main mode	Sub mode	S1		S5		S7		S11	
		Press	Hold	Press	Hold	Press	Hold	Press	Hold
Time		Run mode GPS/INDOOR	toggle T1/T2	view		Run mode	GPS on/off	EL	time setting mode
	Time setting	increase	fast increase	next digit		Exit	GPS on/off	decrease/ EL	fast decrease
Run		start/ stop	save & reset	view		Chrono mode	GPS on/off	Lap/EL/ save & reset	Run setting mode
	Run setting	increase	fast increase	next digit		Exit	GPS on/off	decrease/ EL	fast decrease
Chrono		start/ stop	save & reset	view		Data mode	GPS on/off	Lap/EL/ save & reset	SET
Data		select File#		view data details		Alarm mode	GPS on/off	EL	SET
Alarm		ON/OFF		select AL-1~5, chime		Set mode	GPS on/off	EL	alarm setting mode
	Alarm setting	increase	fast increase	next digit		Exit	GPS on/off	decrease/ EL	fast decrease
Set		increase	fast Increase	next digit		Exit/ time mode	GPS on/off	decrease/ EL	fast decrease