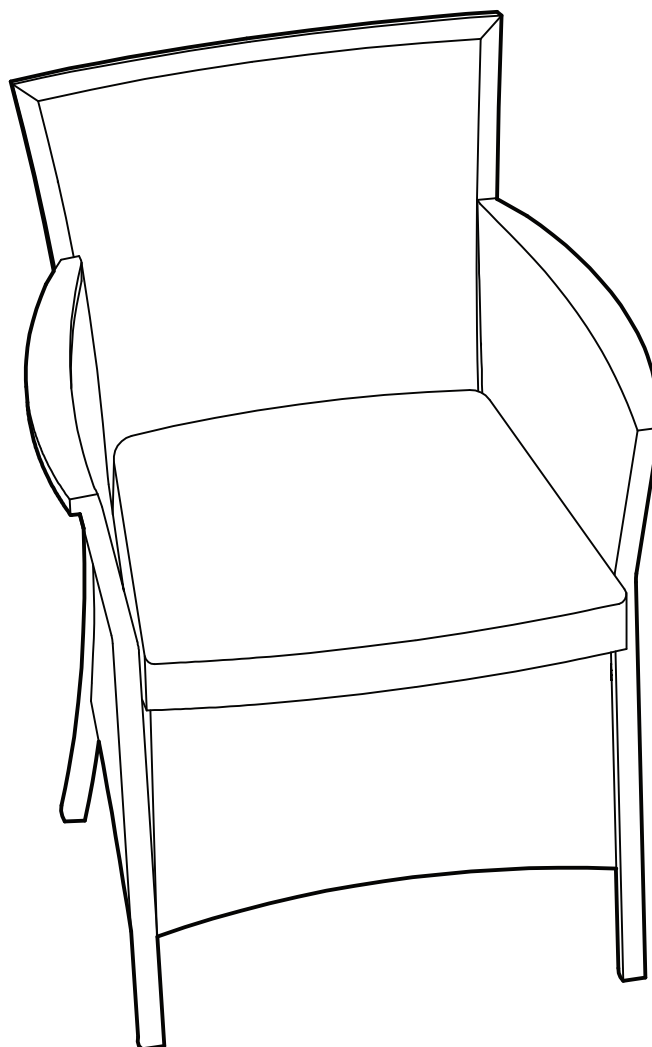


Bali KD Armchair and Cushion

Assembly Instructions - Please keep for future reference

654/6410



Dimensions

Width - 62cm

Depth - 60cm

Height - 88cm

Important – Please read these instructions fully before starting assembly

If you need help or have damaged or missing parts, call the Customer Helpline: 03456 400 800
For further assistance please visit <http://www.argos-support.co.uk/>



Safety and Care Advice

Important – Please read these instructions fully before starting assembly

- Check you have all the components and tools listed on pages 2.
- Remove all fittings from the plastic bags and separate them into their groups.
- Keep children and animals away from the work area, small parts could choke if swallowed.
- Make sure you have enough space to layout the parts before starting.

- Do not stand or put weight on the product during assembly, this could cause damage.
- Assemble the item as close to its final position (in the same room) as possible.
- Assemble on a soft level surface to avoid damaging the armchair or your floor.
- Parts of the assembly will be easier with 2 people.



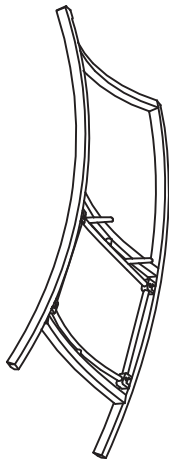
- We do not recommend the use of power drill/drivers for inserting screws, as this could damage the unit. Only use hand screwdrivers.
- Dispose of all packaging carefully and responsibly.
- Maximum safe seated weight: 110kgs.

Care and maintenance

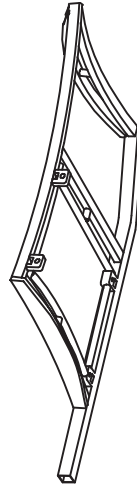
- Only clean using a damp cloth and mild detergent, do not use bleach or abrasive cleaners.
- From time to time check that there are no loose screws on this armchair.
- This product should not be discarded with household waste. Take to your local authority waste disposal centre.
- Make sure each screw matches the corresponding figure to ensure correct assembly.
- Do not fully tighten all screws until assembly is complete.

Components - Parts

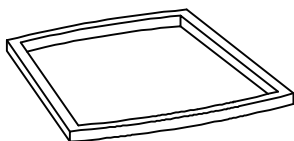
Please check you have all the parts listed below



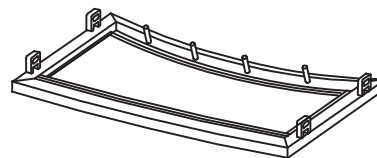
1 Back board x 1



2 Armrest x 2



3 Seat board x 1

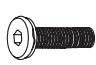







4 Front board x 1

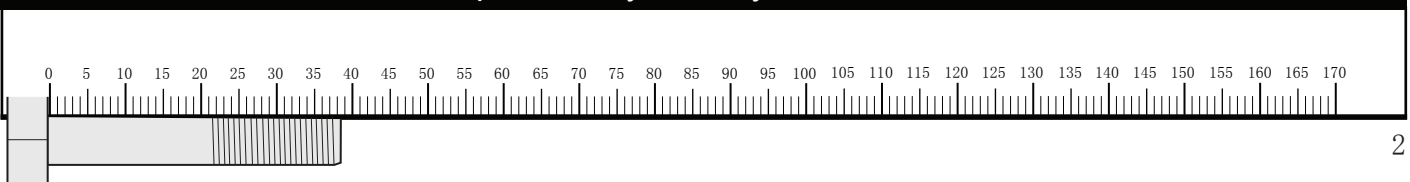
Components - Fittings

Please check you have all the fittings listed below

Note: The quantities below are the correct amount to complete the assembly.

<p>A </p> <p>30mm Screw x 8</p>	<p>B </p> <p>Metal washer x 8</p>	<p>C </p> <p>Plastic cap x 8</p>
<p>D </p> <p>Plastic washer x 8</p>	<p>E </p> <p>Allen key x 1</p>	<p>F </p> <p>Cushion x 1</p>

Ruler - Use this ruler to help correctly identify the screws



Assembly Instructions

Step 1

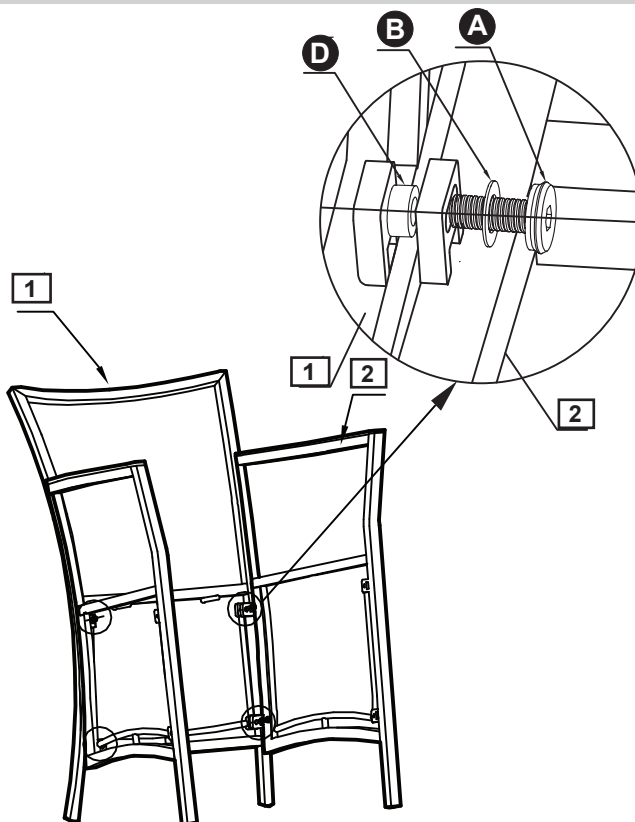
Assembly frame

Suggest to complete this product assembly by two person.

Use 30mm screw **A**
and metal washer **B**
with plastic washer **D**
to fix the armrest **2**
to the back board. **1**
Repeat above step
for each of the 4
positions.

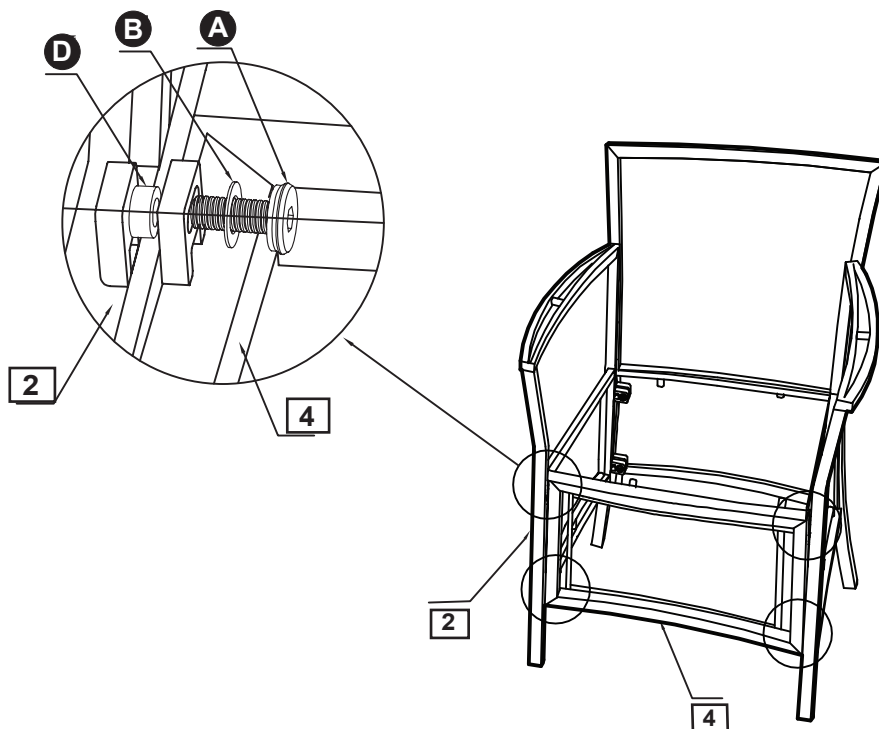


Important:
Do not fully
tighten all screws
until assembly is
complete.



Step 2

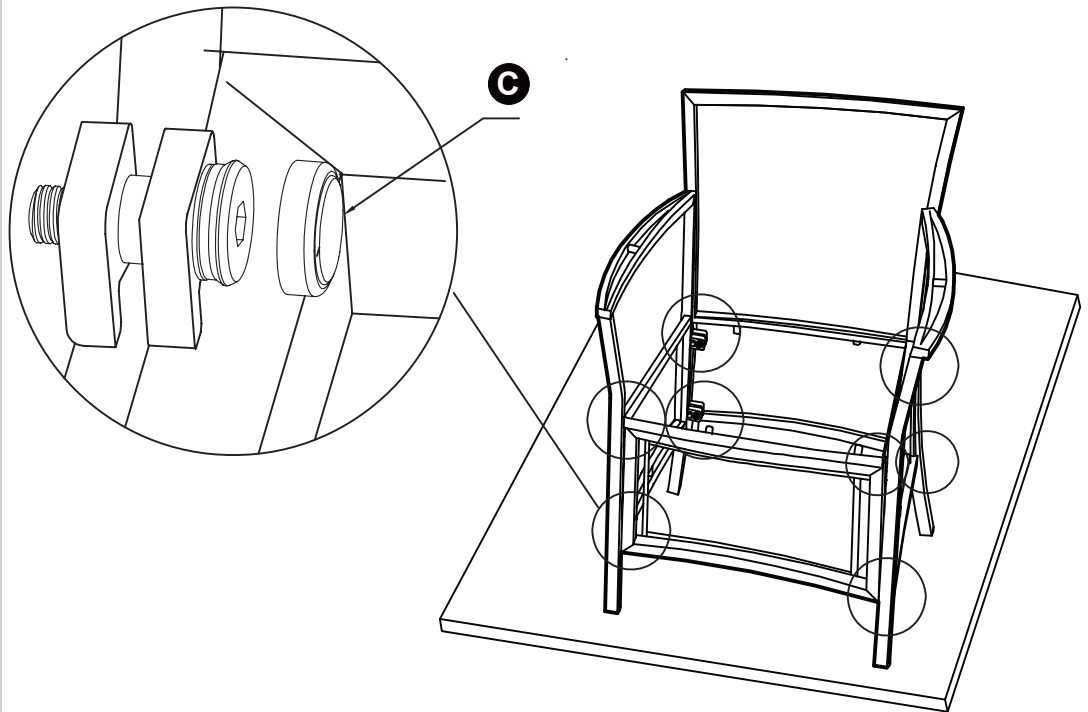
Use 30mm screw **A**
and metal washer **B**
with plastic washer **D**
to fix the armrest **2**
to the front board. **4**
Repeat above step
for each of the 4
positions.



Assembly Instructions

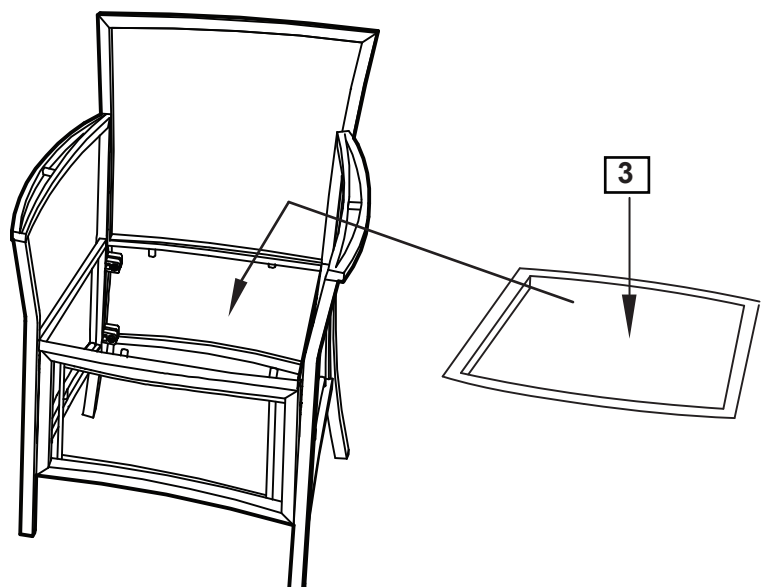
Step 3

Turn the armchair to the upright position and tighten all the screws with the Allen key **E**. Seal the screws with plastic cap **C**.



Step 4

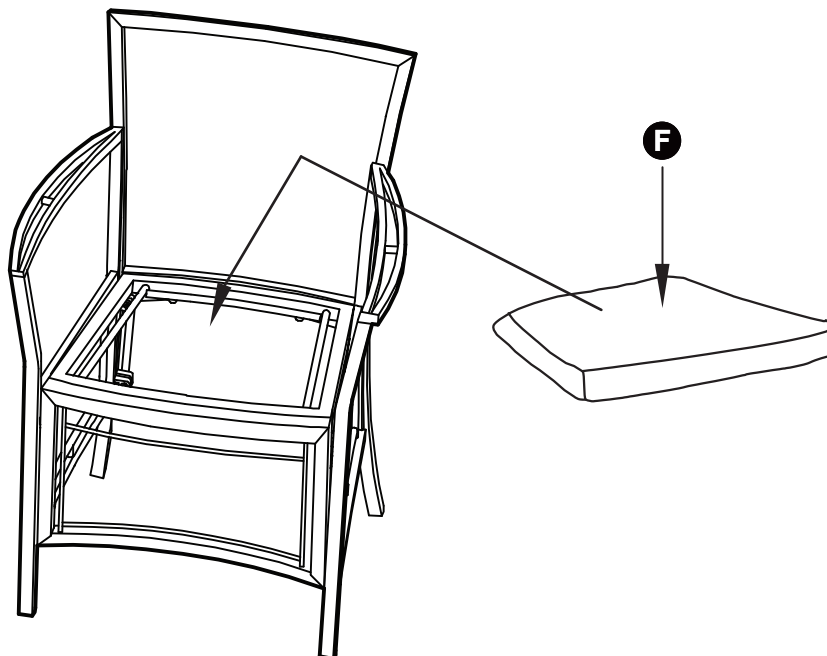
Fit the seat board **3** onto the armchair assembly with the seat side uppermost.



Assembly Instructions

Step 5

Put on the cushion **F**
to fit for the seat board.



Assembly is complete.

If you need help or have damaged or missing parts, call the **Customer Helpline: 03456 400800**
For further assistance please visit <http://www.argos-support.co.uk/>
Argos Limited
489-499 Avebury Boulevard Saxon Gate West Central Milton Keynes Bucks, MK9 2NW