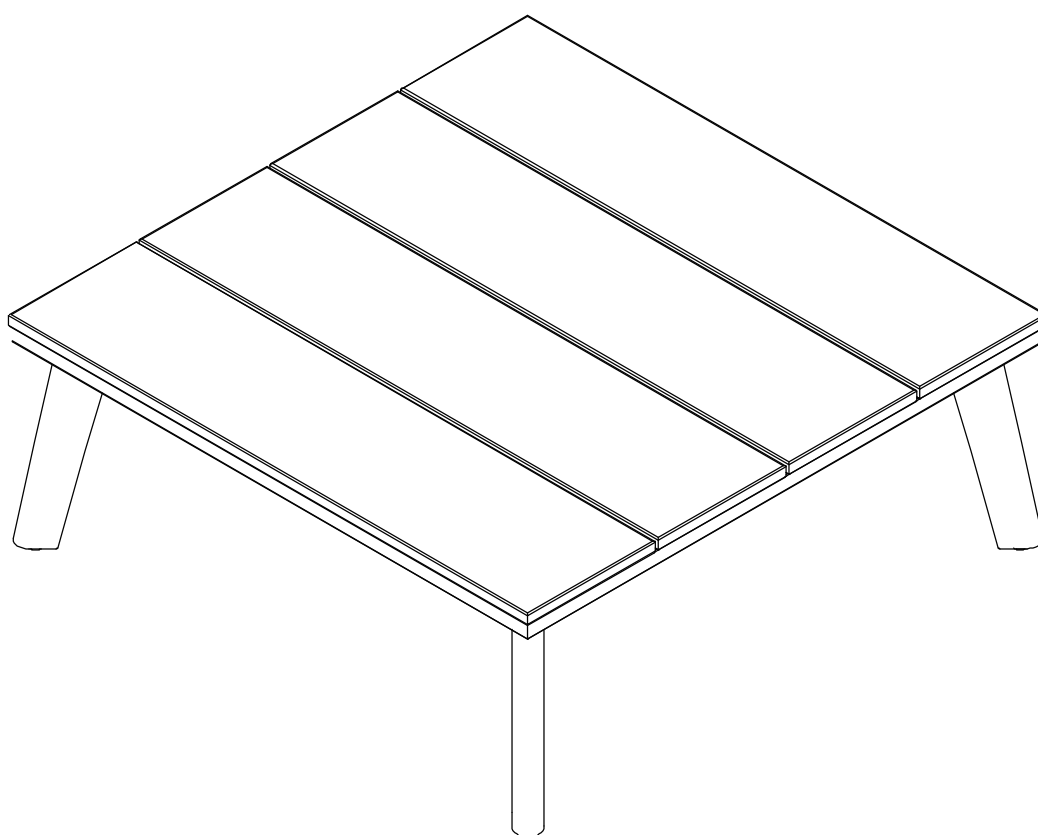


Jucar-table



Spare Parts

 www.argos-support.co.uk

 Help@ClickSpares.co.uk

 0370 112 1928

Customer Support

 0345 640 2020



Safety and Care Advice

Product Details

320/1758

IMPORTANT, RETAIN FOR FUTURE REFERENCE: READ CAREFULLY.

- Check you have all the components and tools listed on pages 2.
- Remove all fittings from the plastic bags and separate them into their groups.
- Keep children and animals away from the work area, small parts could choke if swallowed.
- Make sure you have enough space to layout the parts before starting.
- Do not stand or put weight on the product during assembly, this could cause damage.
- Assemble the item as close to its final position (in the same room) as possible.
- Assemble on a soft level surface to avoid damaging the table or your floor.
- Parts of the assembly will be easier with 2 people.



- To reduce the likelihood of damaging your product please ensure that your power drill is set on a low torque setting.

Care and maintenance

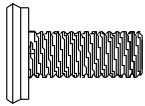
- This product has been designed for careful domestic outdoor use.
- Only clean using a damp cloth and mild detergent, do not use bleach or abrasive cleaners.
- Make sure each screw matches the corresponding figure to ensure correct assembly.
- From time to time check that there are no loose screws on this table.
- Do not fully tighten all screws until assembly is complete.
- This product should not be discarded with household waste. Take to your local authority waste disposal centre.
- When using a parasol with this table, always use a parasol base.
- When moving the table remove the parasol and lift the table. Do not drag. We recommend the use of furniture covers when not in use. We recommend that the table is stored in a dry and secure area, during off season periods.

Additional Guidance

- Assemble all parts and bolts loosely during assembly, only once the product is complete should you fully tighten the bolts.
- Regularly check and ensure that all bolts and fittings are tightened properly.
- This product is compliant BS EN581-1; BS EN581-3

Fittings (Shown to scale)

A



M6 x 15mm Screw x12

B



Metal washer x 12

C



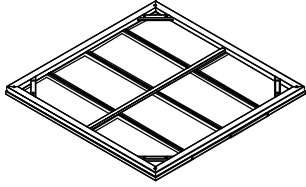
Plastic cap x 12

D

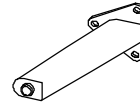


Allen Key x 1

Components - Parts

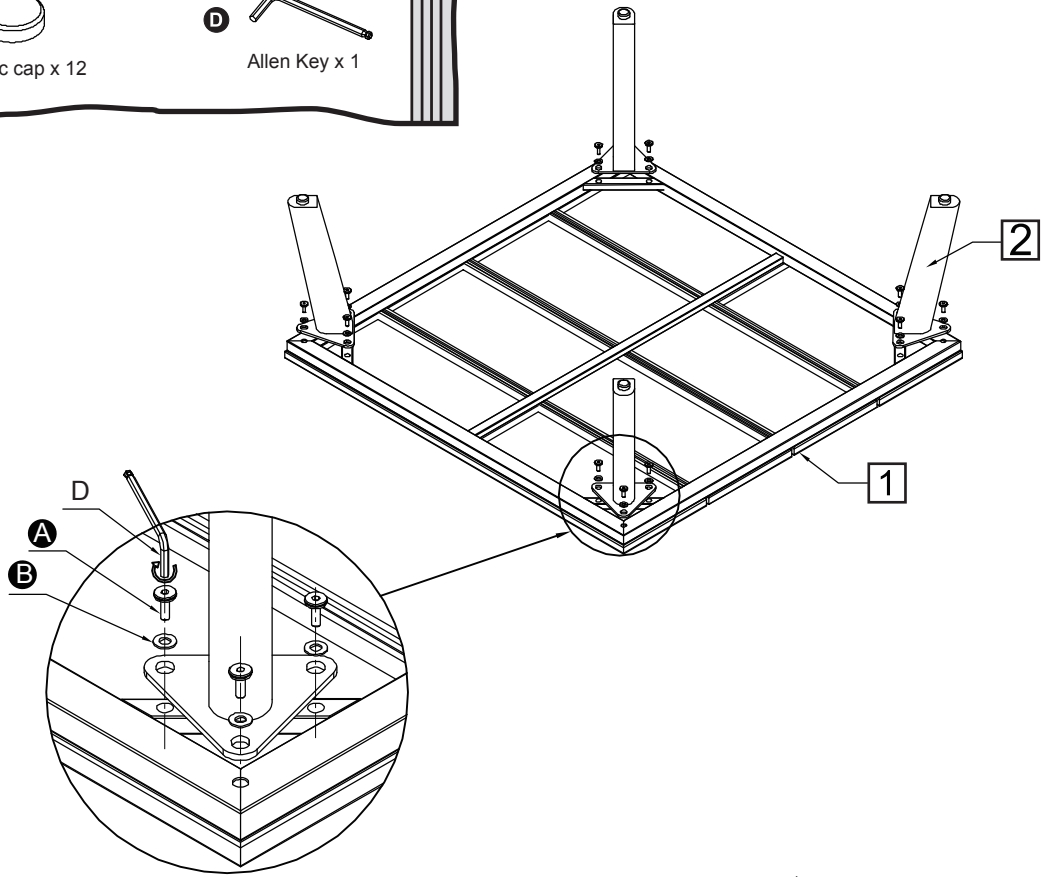
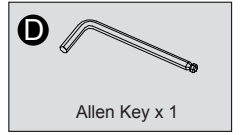
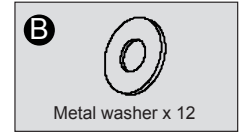
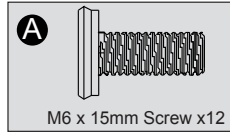
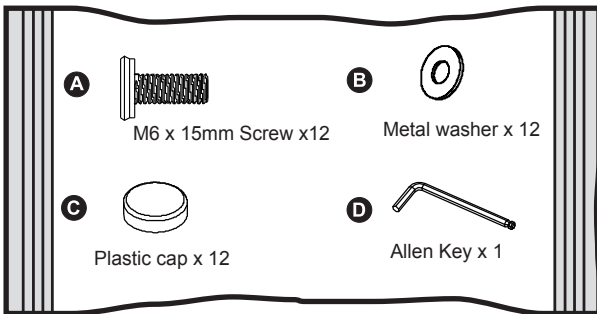


1 Table top x 1



2 Table leg x 4

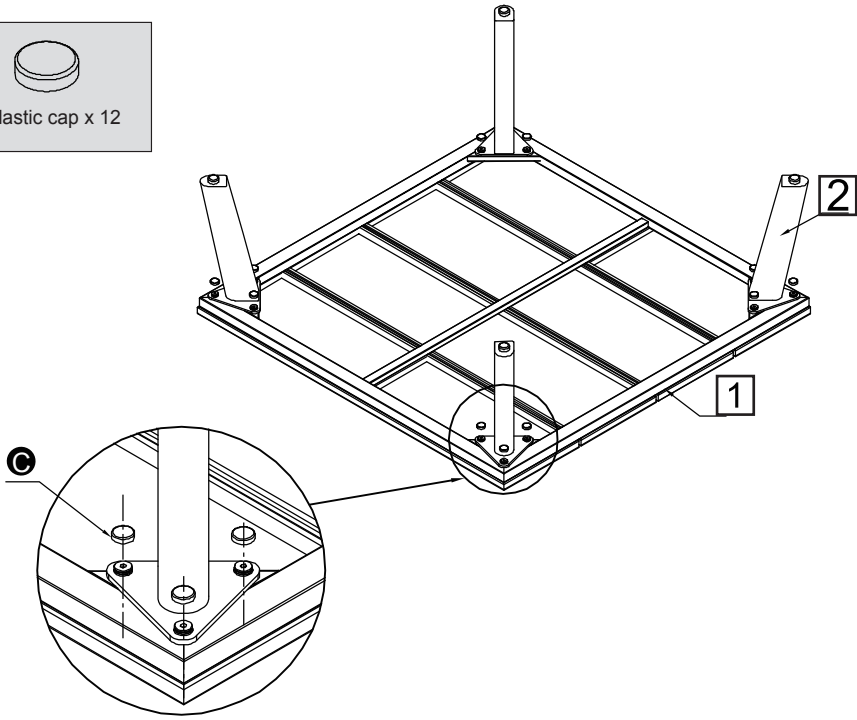
1



 Repeat x4

Important:
Do not fully tighten all screws until assembly is complete.

2



 Repeat x4

3

