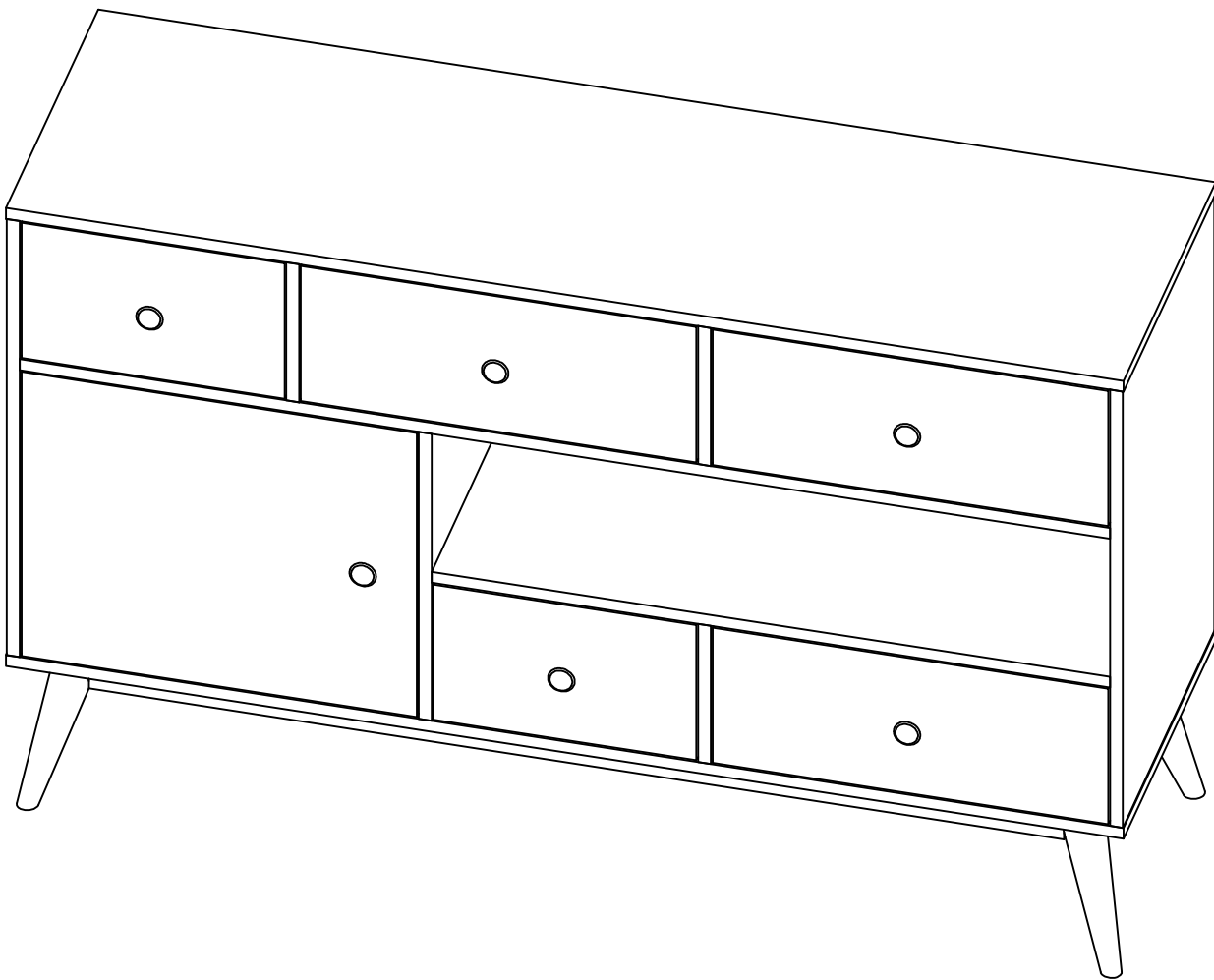


# HYGENA RETRO STYLE COLOURED DRAWERS SIDEBOARD

Assembly Instructions - Please keep for future reference

319/7958

**hygena**



## Dimensions

Width - 130cm

Depth - 40cm

Height - 83cm

**Important – Please read these instructions fully before starting assembly**

If you need help or have damaged or missing parts, call the **Customer Helpline: Argos= 0345 640 0800**



# Safety and Care Advice

**Important – Please read these instructions fully before starting assembly**

- Check you have all the components and tools listed on the following pages
- Remove all fitting from the plastic bags and separate them into their groups.
- Keep children and animals away from the work area, small parts could choke if swallowed.
- Make sure you have enough space to layout the parts before starting.

- During assembly do not stand or put weight on the product, this could cause damage.
- Assemble the item as close to its final position (in the same room) as possible.
- Assemble on a soft level surface to avoid damaging the unit or your floor.
- Parts of the assembly may be easier with 2 people.



power drill is set on a low torque setting.

- To reduce the likely hood of damaging your product please ensure that your

## Care and maintenance

- Only clean using a damp cloth and mild detergent, do not use bleach or abrasive cleaners.
- From time to time check that there are no loose screws on this unit.
- This product should not be discarded with household waste. Take to your local authority waste disposal centre.

## Handy Hints

- Assemble all parts and bolts loosely during assembly, only once the product is complete should you fully tighten the bolts
- Regularly check and ensure that all bolts and fittings are tightened properly.

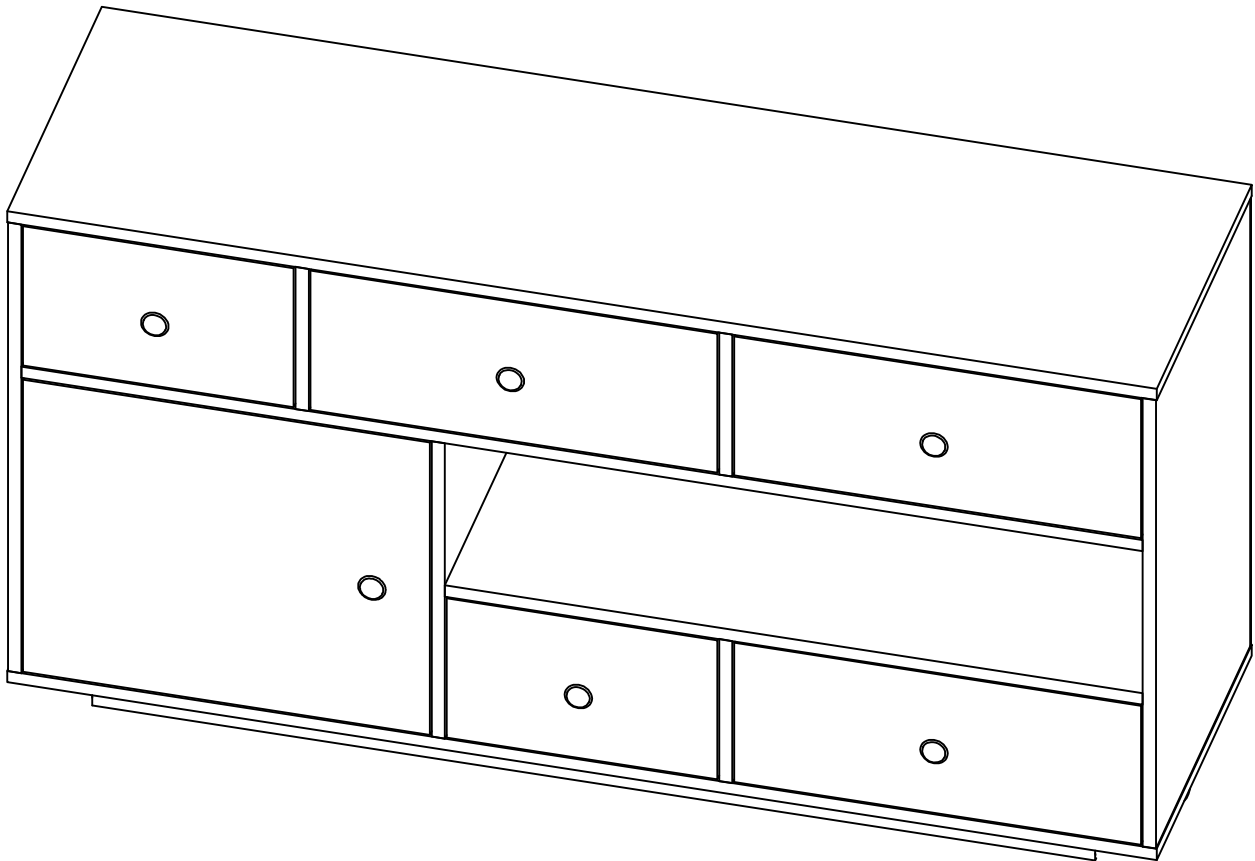
**Note:** if required the next page can be cut out and used as reference throughout the assembly. Keep this page with these instructions for future reference.

# Components - Panels

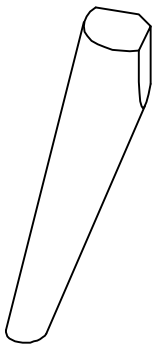
If you have damaged or missing components,  
call the **Customer Helpline: Argos= 0345 6400800**

Please check you have all the panels listed below

**1** Top Cabinet (130x40x67.5cm)



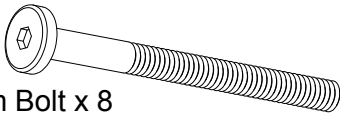
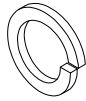
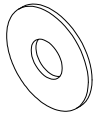


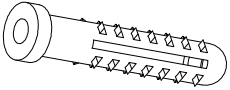

**2** Legs x 4 (5.7x5.7x22.7cm)



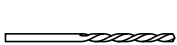
# Components - Fittings

Please check you have all the fittings listed below

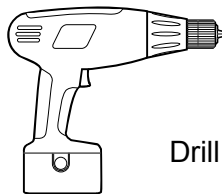
**Note:** The quantities below are the correct amount to completed the assembly. In some cases more fittings may be supplied than are required.

<p><b>A</b></p>  <p>M6x50mm Bolt x 8</p>	<p><b>B</b></p>  <p>Spring Washer x 8</p>	<p><b>C</b></p>  <p>Washer x 8</p>
<p><b>D</b></p>  <p>Allen Key x 1</p>	<p><b>E</b></p>  <p>Strap x 2</p>	<p><b>F</b></p>  <p>M6x30mm Wall plug x 2</p>
<p><b>G</b></p>  <p>Ø4x15mm Screw x 4</p>		

## Tools required



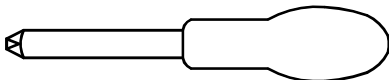
6mm Suitable drill bit  
(for use with wall plug)



Drill

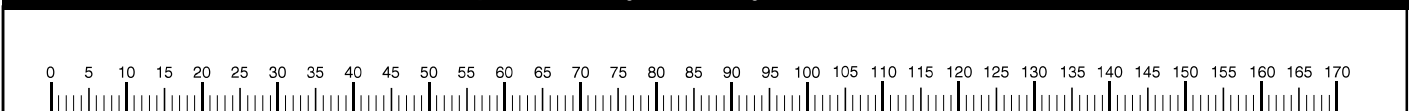


Ruler/tape  
measure



Phillips screwdriver

**Ruler** - Use this ruler to help correctly identify the screws



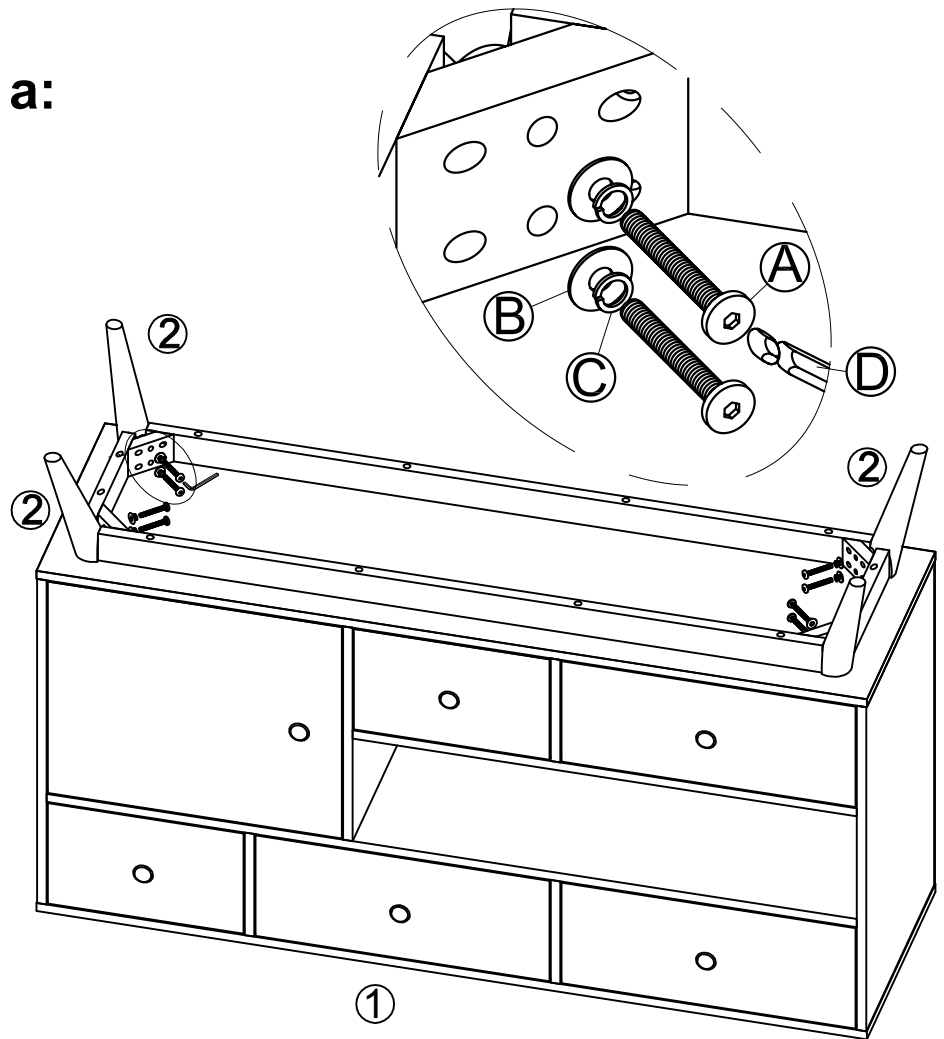
# Assembly Instructions

## Step 1

### Assemble legs

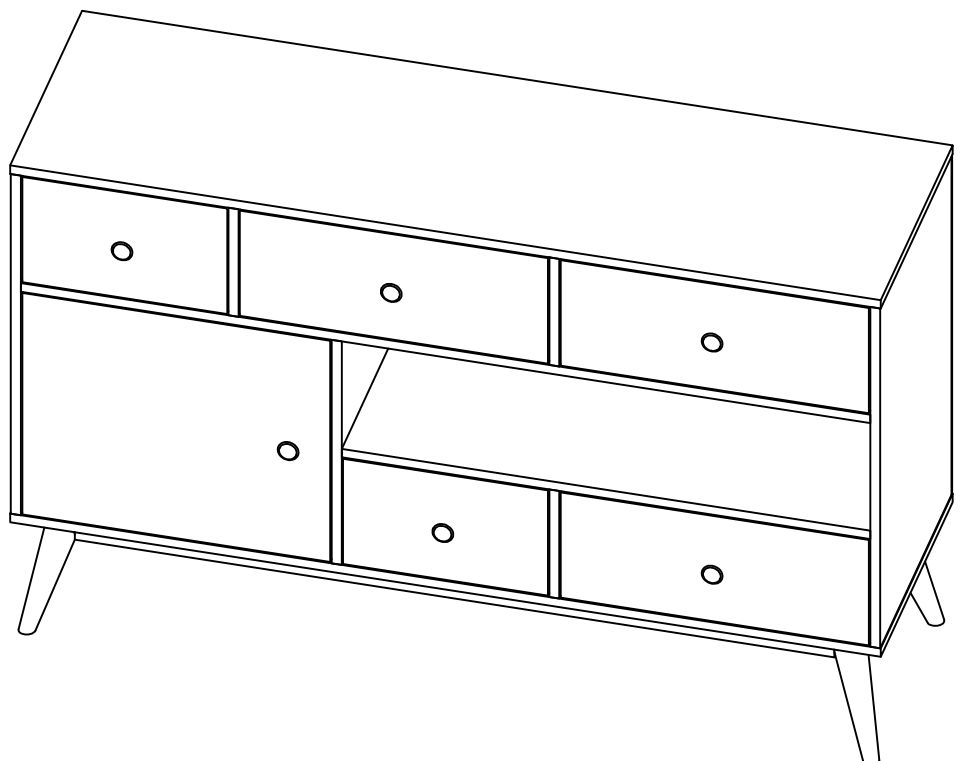
**a:** Turn over the cabinet **1** on smooth and clean surface as shown. Attach the legs **2** to the cabinet **1** by bolts **A**, spring washers **B**, washers **C**, and allen key **D**. Tighten all bolts.

**a:**



Turn over the cabinet as shown.

**Assembly is completed.**



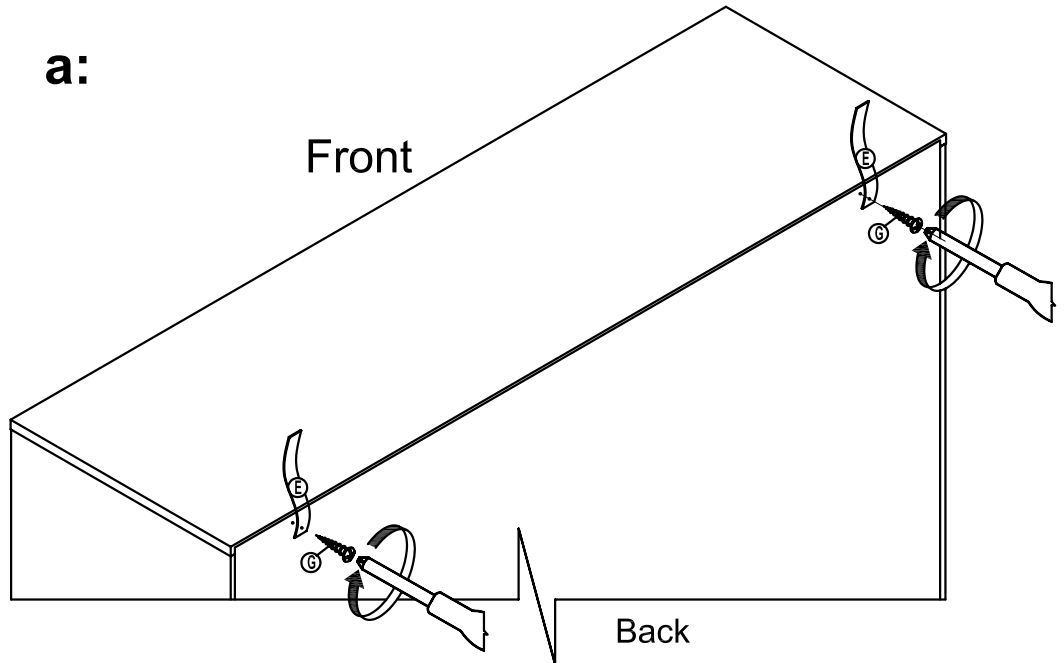
# Assembly Instructions

## Step 2

### Fixing to wall

It is recommended that the Hygena retro style coloured drawers sideboard fixed to a wall.

**a:** Insert screw **G** through strap **E** into pre - drilled hole in product.



**b:** With help, move Hygena retro style coloured drawers sideboard into position.



The Hygena retro is heavy.  
**Lift with care.**

Mark fixing hole on wall and remove Hygena retro style coloured drawers sideboard .

Drill 6mm hole and insert wall plug **F**

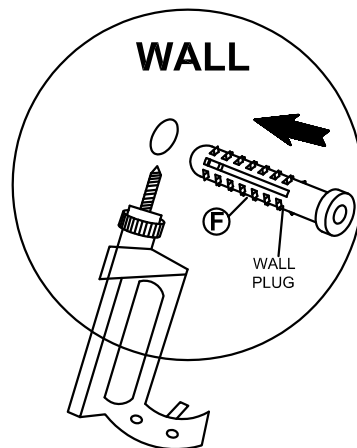
Before drilling, check wall for hidden pipes and cables.



Reposition Retro style sideboard and fix wall strap using screw **G**.

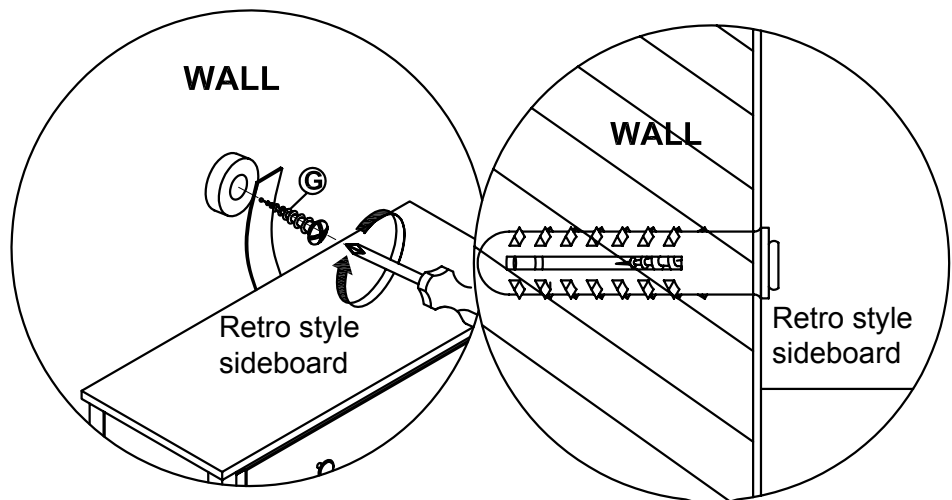
**Assembly is completed.**

**b:**



Note: Wall plugs supplied are for solid walls only.

The correct type of fixing must be used for your wall seek professional advice if in doubt.



# A Guide to - Wall Mounting & Fixings

## Important note:

If plastic wall plugs are supplied with your product :



- these are only suitable for use in masonry walls.

If you are in any doubt about the correct wall plugs for your wall, seek professional advice.

Failure of the product due to using incorrect fixings is the responsibility of the installer



**Important:** When drilling into walls always check that there are no hidden wires or pipes etc.

Make sure that the screws and wall plugs being used are suitable for supporting your unit. Consult a qualified tradesperson if you are unsure.

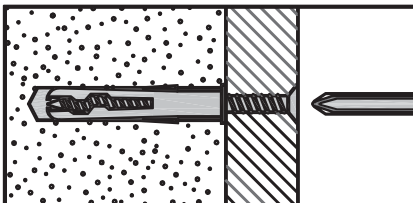
### Hints:

- 1: **General rule:** ⚠ Always use a larger screw and wall plug if you are not sure.
- 2: Ensure you use the recommended drill bit to match the wall plug and hole size.
- 3: Ensure you drill the hole horizontally, do not force the drill or enlarge the hole.
- 4: Take extra care when drilling high walls, ceilings and ceramic tiles. Ensure wall plugs are inserted beyond the thickness of the ceramic tiles to avoid the tiles splitting or cracking.
- 5: Ensure wall plugs are well fitted and are a tight fit in the drilled hole.

## Types of walls

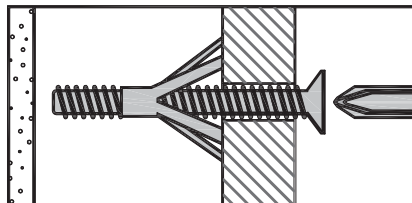
You can use one of the following types of wall plug if your walls are made of brick, breeze block, concrete, stone or wood.

No. 1 "General Purpose" wall plug



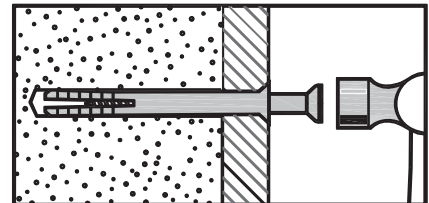
Generally aerated blocks should not be used to support heavy loads, use a specialist fitting in this case. For light loads, general purpose wall plugs can be used.

No. 3 "Cavity Fixing" wall plug



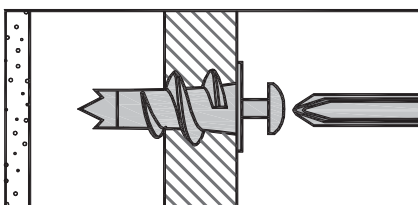
For use with plasterboard partitions or hollow wooden doors.

No. 5 "Hammer Fixing" wall plug



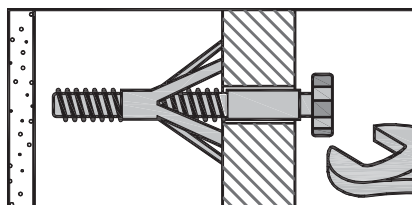
For use with walls stuck with plasterboard. The hammer fixing allows it to be fixed to the wall rather than the plasterboard. Always check the fixing is secure to the retaining wall.

No. 2 "Plasterboard" wall plug



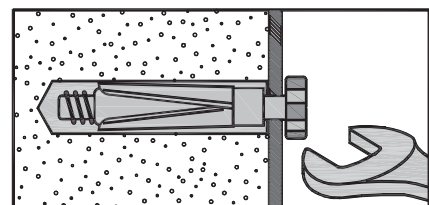
For use when attaching light loads on to plasterboard partitions.

No. 4 "Cavity Fixing-Heavy Duty" wall plug



For use when fitting or supporting heavy loads such as shelving, wall cabinets and coat racks.

No. 6 "Shield Anchor" wall plug Heavy loads



For use with heavier loads such as TV & HiFi speakers and satellite dishes etc.



## Care & Maintenance

**Safety:** Always check the fitting and location to ensure your safety in and around the home.

**Fitting:** From time to time check the fitting to ensure the wall plugs or screws do not become loose.