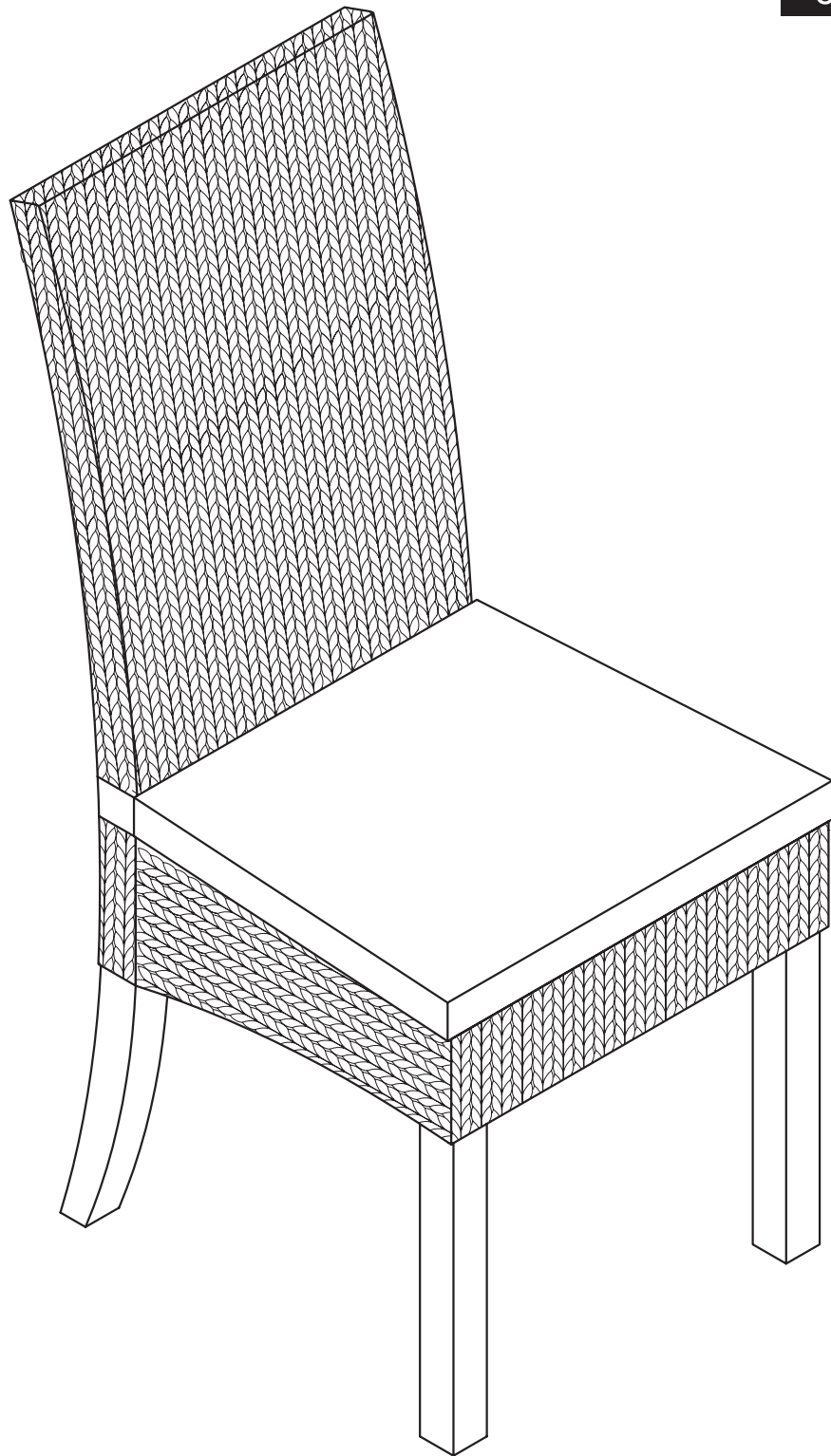


rattan chairs with seat pad

Assembly Instructions - Please keep for future reference

339/8324

319/5558



Dimensions

Width - 46cm

Depth - 56cm

Height - 104cm

Important – Please read these instructions fully before starting assembly

If you need help or have damaged or missing parts, call the **Customer Helpline: 0345 6400800**



Safety and Care Advice

Important – Please read these instructions fully before starting assembly

- Check you have all the components and tools listed on the following pages
- Remove all fittings from the plastic bags and separate them into their groups.
- Keep children and animals away from the work area, small parts could choke if swallowed.
- Make sure you have enough space to layout the parts before starting.

- During assembly do not stand or put weight on the product, this could cause damage.
- Assemble the item as close to its final position (in the same room) as possible.
- Assemble on a soft level surface to avoid damaging the unit or your floor.
- Parts of the assembly may be easier with 2 people.



- To reduce the likely hood of damaging your product please ensure that your power drill is set on a low torque setting.
- The maximum safe weight of user: 110 kgs.
- Do not stand on this chair.
- Do not use this chair as a step ladder.

Care and maintenance

- Only clean using a damp cloth and mild detergent, do not use bleach or abrasive cleaners.
- From time to time check that there are no loose screws on this unit.
- This product should not be discarded with household waste. Take to your local authority waste disposal centre.

Handy Hints

- Assemble all parts and bolts loosely during assembly, only once the product is complete should you fully tighten the bolts
- Regularly check and ensure that all bolts and fittings are tightend properly.
- Assemble the item as close to its final position (in the same room) as possible.

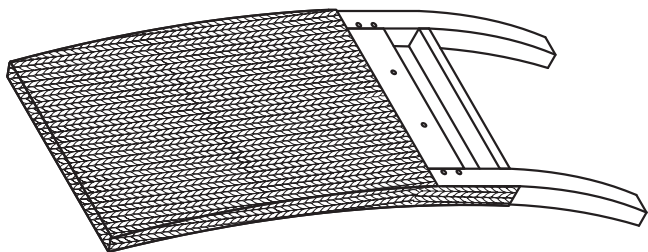
Note: if required the next page can be cut out and used as reference throughout the assembly. Keep this page with these instructions for future reference.

Components

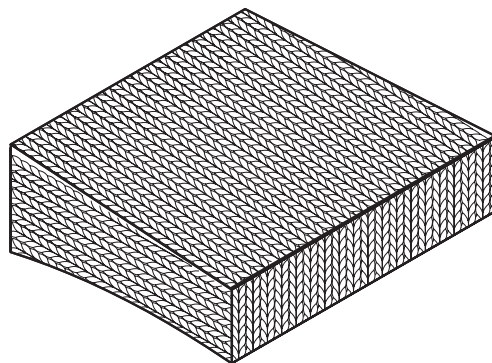
If you have damaged or missing components,
call the **Customer Helpline: 0345 6400800**

Please check you have all the panels listed below

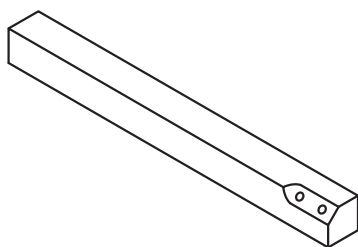
1 Back frame (42 x104cm)



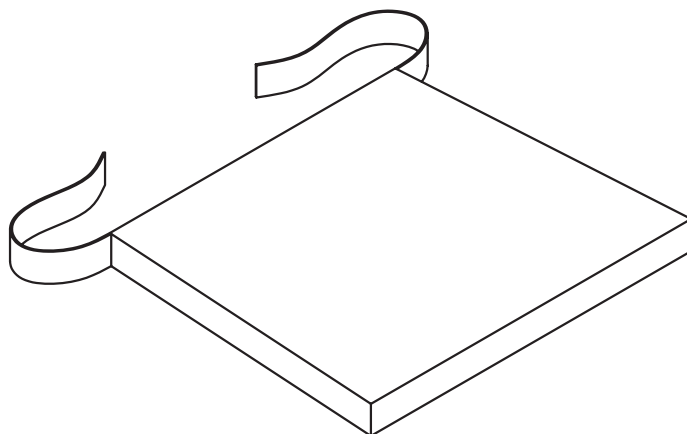
2 Seat frame (46 x41cm)



3 Leg x 2 (4x43cm)



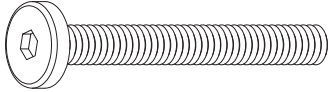
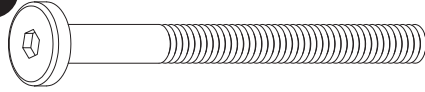
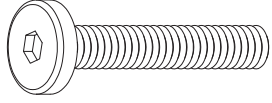
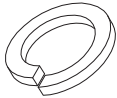
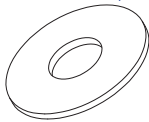

4 Cushion (46x39cm)



Components - Fittings

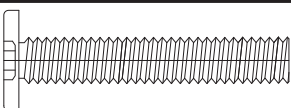
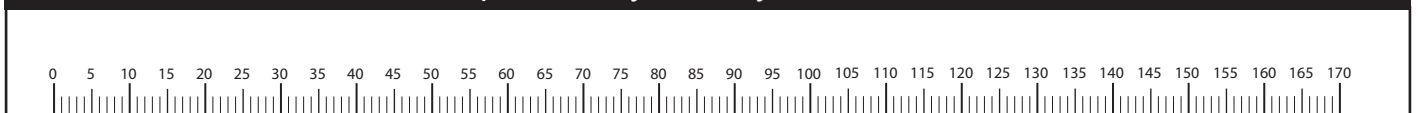
Please check you have all the fittings listed below

Note: The quantities below are the correct amount to complete the assembly. In some cases more fittings may be supplied than are required.

<p>A</p>  <p>Medium bolt M6x50mm x 4</p>	<p>B</p>  <p>Length bolt M6x70mm x 4</p>	<p>C</p>  <p>Short bolt M6x35mm x 2</p>
<p>D</p>  <p>Spring washer Ø11 x 10</p>	<p>E</p>  <p>Flat washer Ø16 x 10</p>	<p>F</p>  <p>Allen key</p>

The Bolts length is measured from the head to the point (35mm bolts shown).

Ruler - Use this ruler to help correctly identify the screws

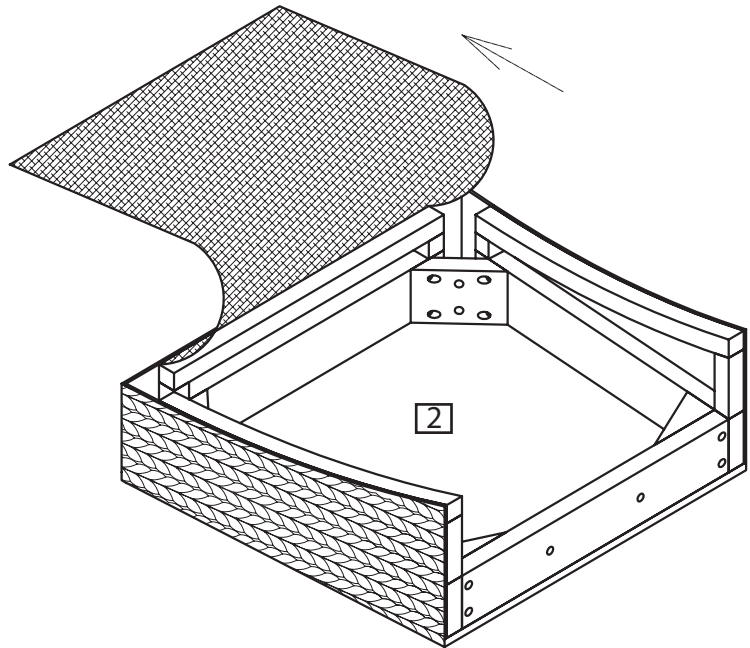


Assembly Instructions

Step 1

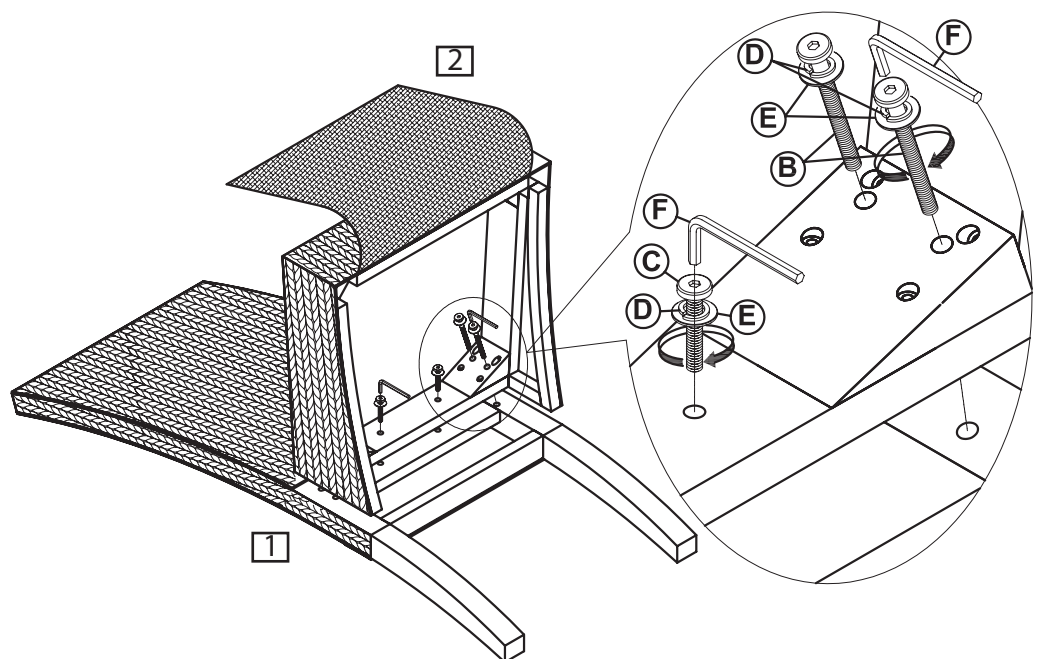
Put all parts on a soft surface to prevent scratches.

Open dust cover of seat frame **2**



Step 2

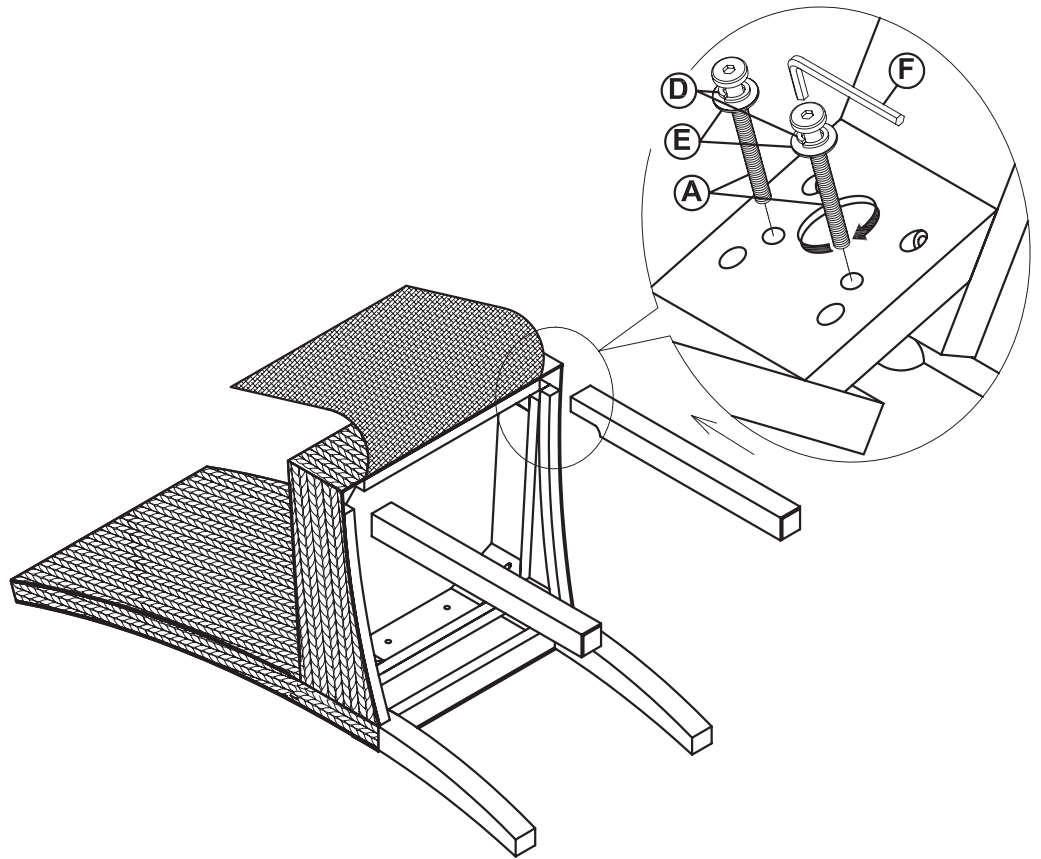
Attach seat frame **2** to back frame **1** by long bolts **B**, short bolt **C**, spring washer **D**, flat washer **E**, Using allen key **F**, partially tighten the bolts as shown,



Assembly Instructions

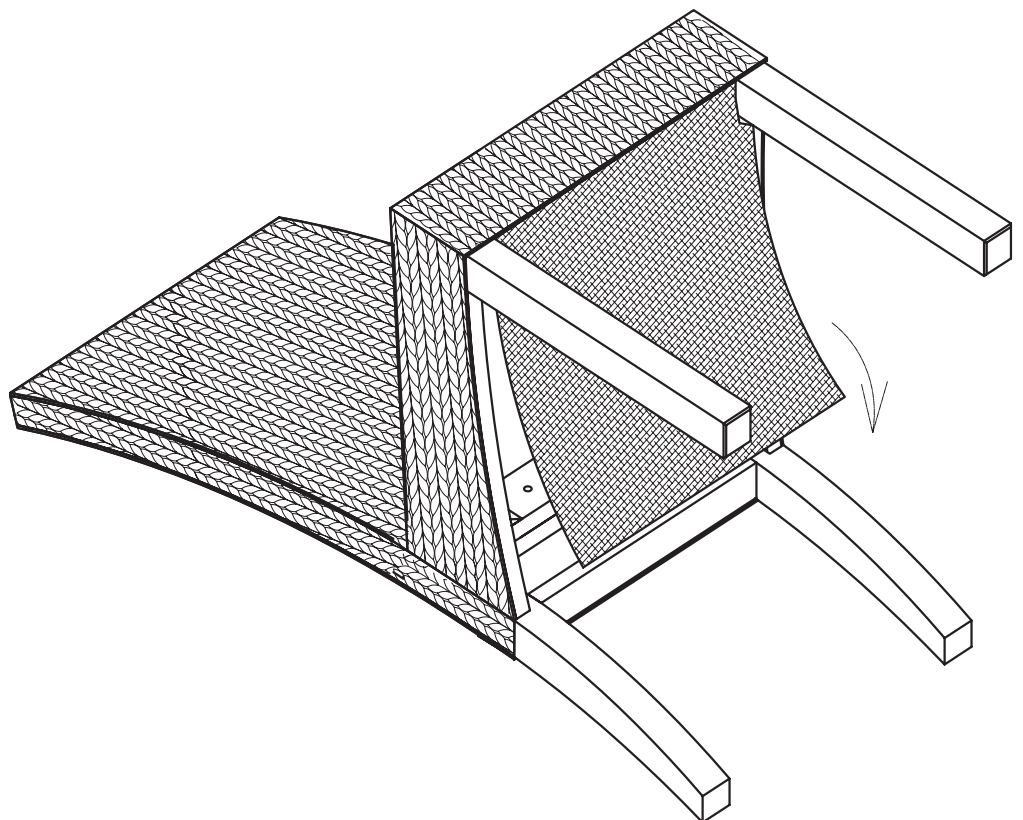
Step 3

Attach legs **3** to seat frame **2** by medium bolts **A**, spring washer **D**, flat washer **E**. Using allen key **F**, full tighten all the bolts as shown.



Step 4

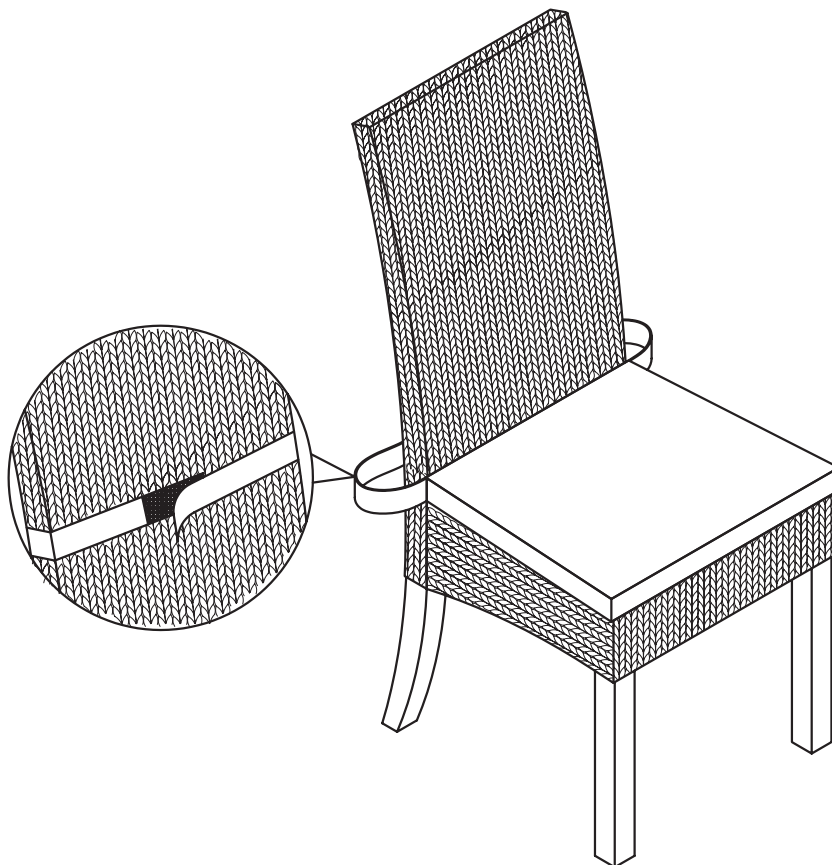
Close the dust cover of seat frame then stick it on the two side-stretcher rails.



Assembly Instructions

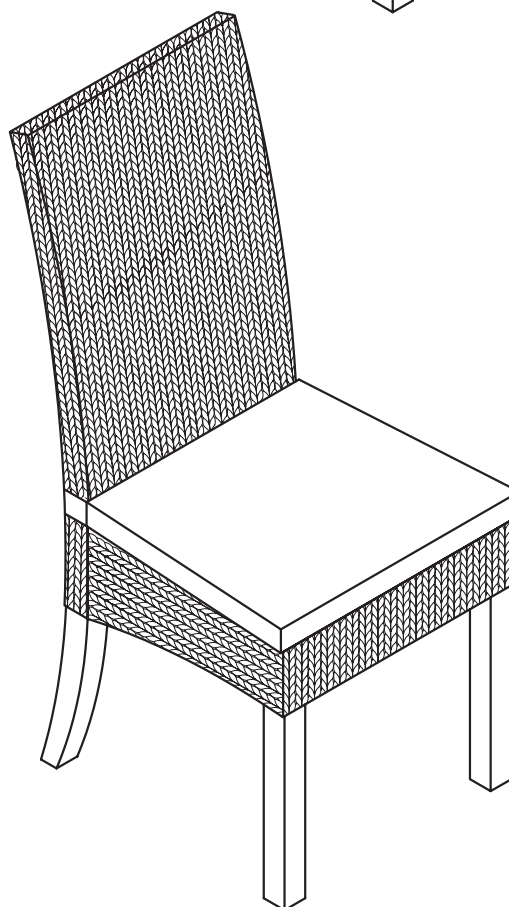
Step 5

Put a cushion **4** on top of seat frame **2** then stick at back of chair as shown.



Step 6

Assembly is complete.



If you need help or have damaged or missing parts, call the **Customer Helpline: 0345 6400800**