

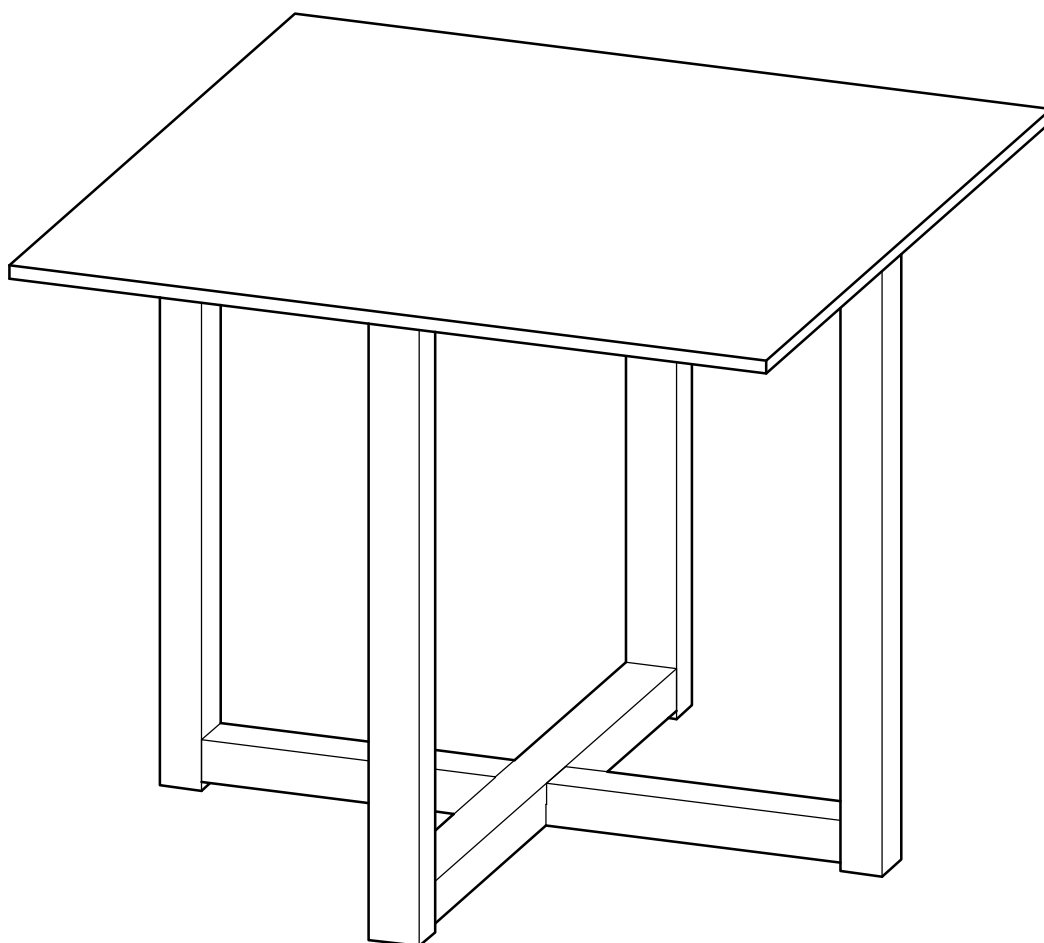
Wooden Space Saver Square Table

Assembly Instructions - Please keep for future reference

314/9195

323/4550

hygena



Dimensions

Width - 100cm
Depth - 100cm
Height - 76cm

Important – Please read these instructions fully before starting assembly

If you need help or have damaged or missing parts, call the **Customer Helpline:**
Argos = 0345 6400800



Safety and Care Advice

Important – Please read these instructions fully before starting assembly

- Check you have all the components and tools listed on the following pages.
- Remove all fittings from the plastic bags and separate them into their groups.
- Keep children and animals away from the work area, small parts could choke if swallowed.
- Make sure you have enough space to layout the parts before starting.

- During assembly do not stand or put weight on the product, this could cause damage.
- Assemble the item as close to its final position (in the same room) as possible.
- Assemble on a soft level surface to avoid damaging the unit or your floor.
- Parts of the assembly will be easier with 2 people.



- To reduce the likelihood of damaging your product please ensure that your power drill is set on a low torque setting.

Care and maintenance

- Only clean using a damp cloth and mild detergent, do not use bleach or abrasive cleaners.
- From time to time check that there are no loose screws on this unit.
- This product should not be discarded with household waste. Take to your local authority waste disposal centre.

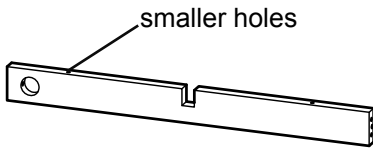
Handy Hints

- Assemble all parts and bolts loosely during assembly, only once the product is complete should you fully tighten the bolts
- Regularly check and ensure that all bolts and fittings are tightened properly.

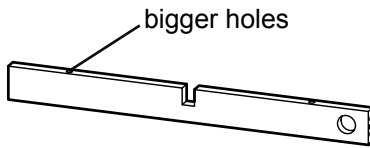
Components - Panels

If you have damaged or missing components, call the Customer Helpline: Argos = 0345 6400800

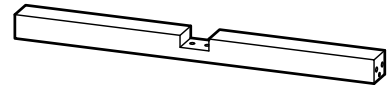
Please check you have all the panels listed below



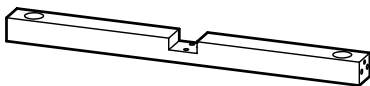
1 Upper supporting bar
(83 x 7cm)



2 Upper supporting bar
(83 x 7cm)



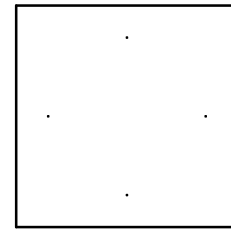
3 Leg supporting bar
(83 x 6.4cm)



4 Leg supporting bar
(83 x 6.4cm)



5 Table leg x 4
(74.5 x 6.5cm)

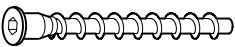
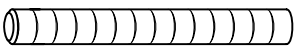





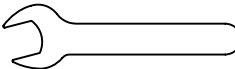



6 Table top
(100 x 100cm)

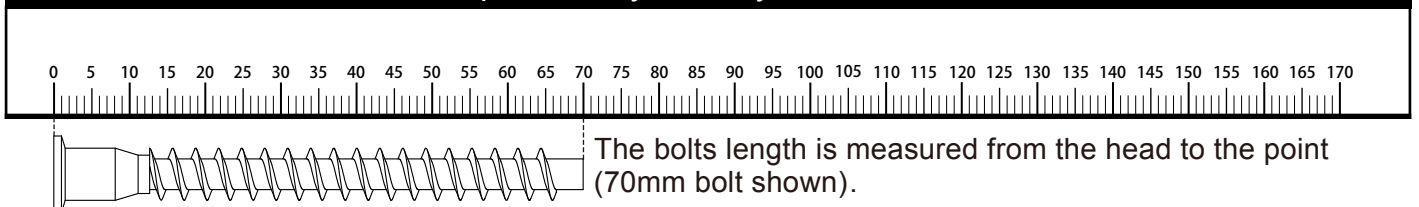
Components - Fittings

Please check you have all the fittings listed below

Note: The quantities below are the correct amount to complete the assembly. In some cases more fittings may be supplied than are required.

<p>A </p> <p>70mm Bolt x 4</p>	<p>B </p> <p>80mm Screw x 8</p>	<p>C </p> <p>Plain washer x 8</p>
<p>D </p> <p>Nut X 8</p>	<p>E </p> <p>Connector x 8</p>	<p>F </p> <p>Cap x 4</p>
<p>G </p> <p>Wooden dowel x 18</p>	<p>H </p> <p>Wrench X 1</p>	<p>I </p> <p>Hex key X 1</p>

Ruler - Use this ruler to help correctly identify the screws



Assembly Instructions

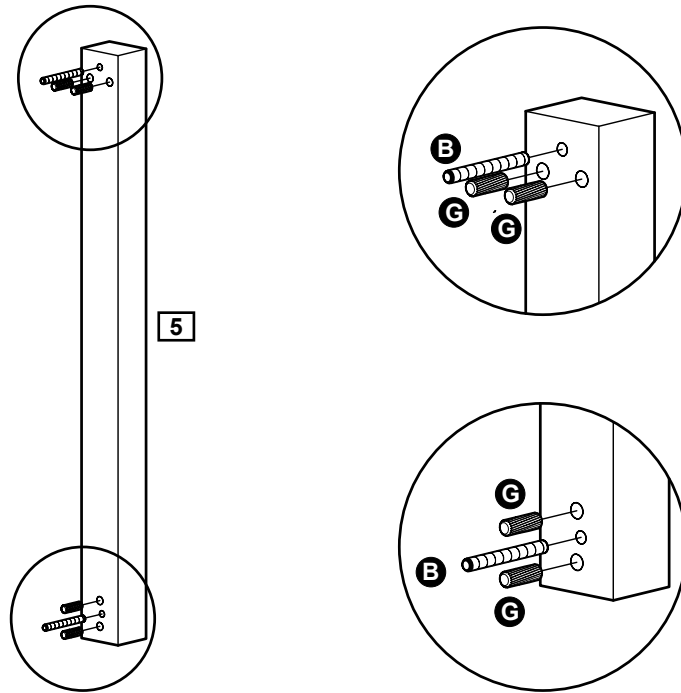
Step 1

Assemble leg frame

Two people are needed here.

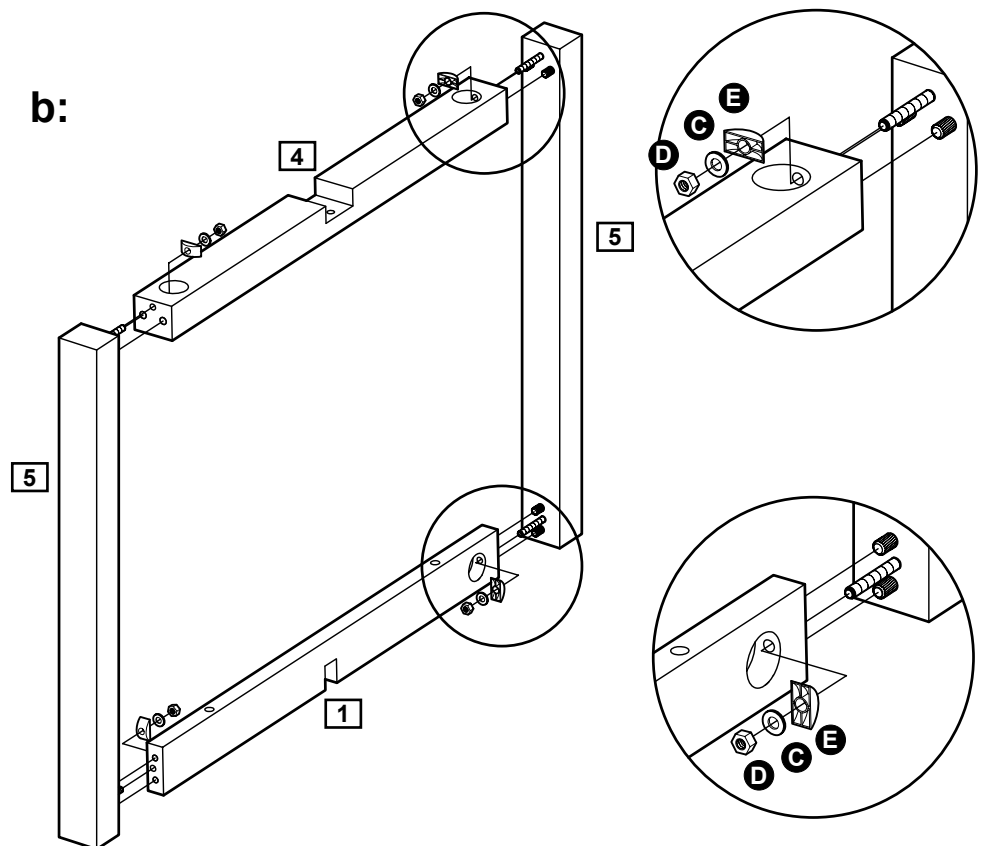
a: Fix screws **B** and insert wooden dowels **G** into legs **5** as shown.

a:



b: Attach leg supporting bar **4** and upper supporting bar **1** to table legs **5**, then fix with connectors **E**, plain washers **C** and nuts **D** as shown.

b:



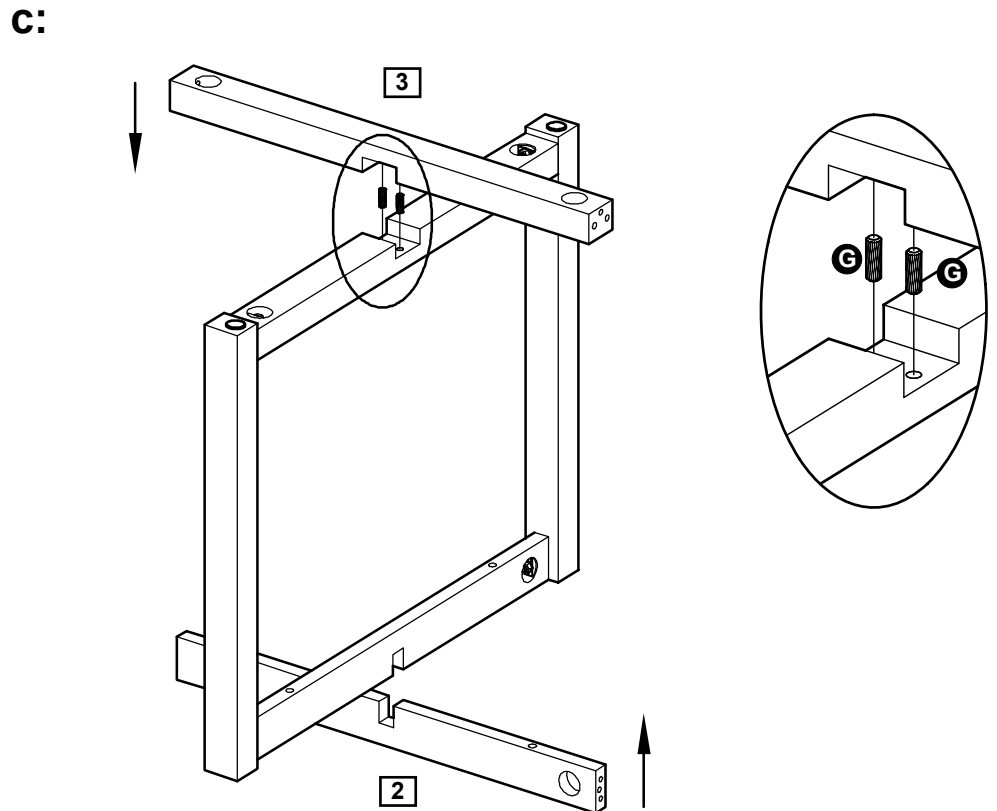
Important note: Do not fully tighten bolts at this stage.

Assembly Instructions

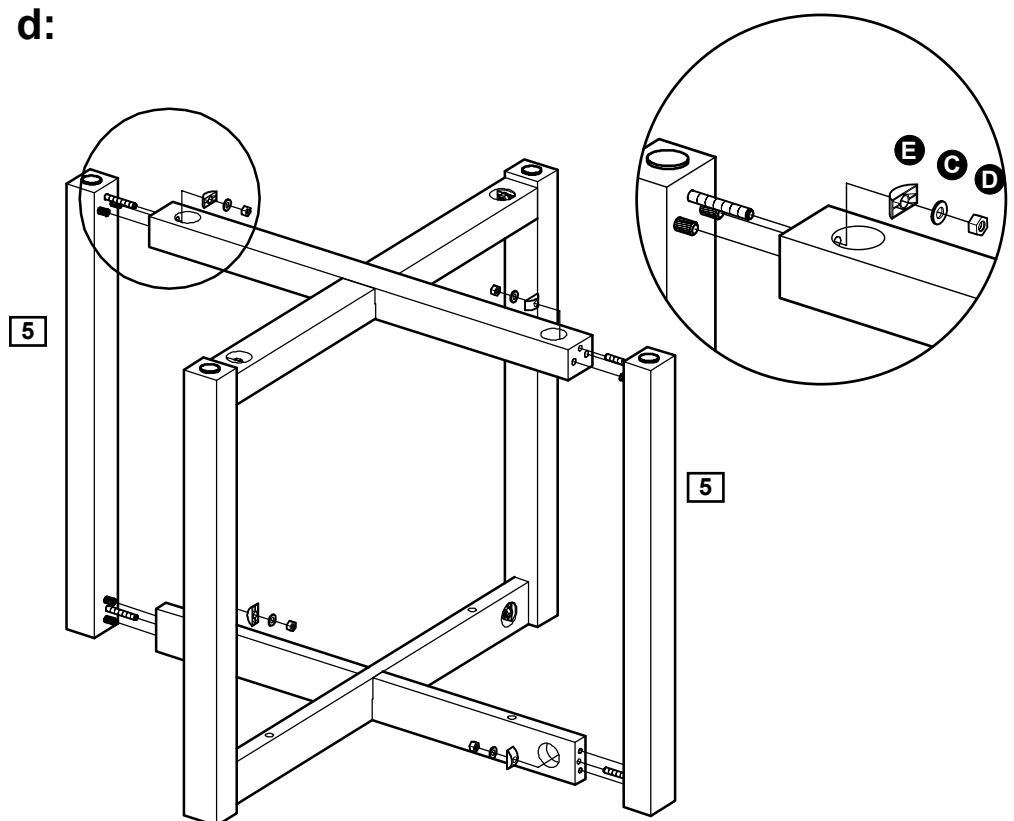
Step 1 - continued

c: Attach leg supporting bar **3** to the assembled unit by using wooden dowels **G** as shown.

Attach upper supporting bar **2** to the assembled unit as shown.



d: Attach legs **5** to the assembled unit, then fix with connectors **E**, plain washers **C** and nuts **D**.



Important note: Do not fully tighten bolts at this stage.

Assembly Instructions

Step 2

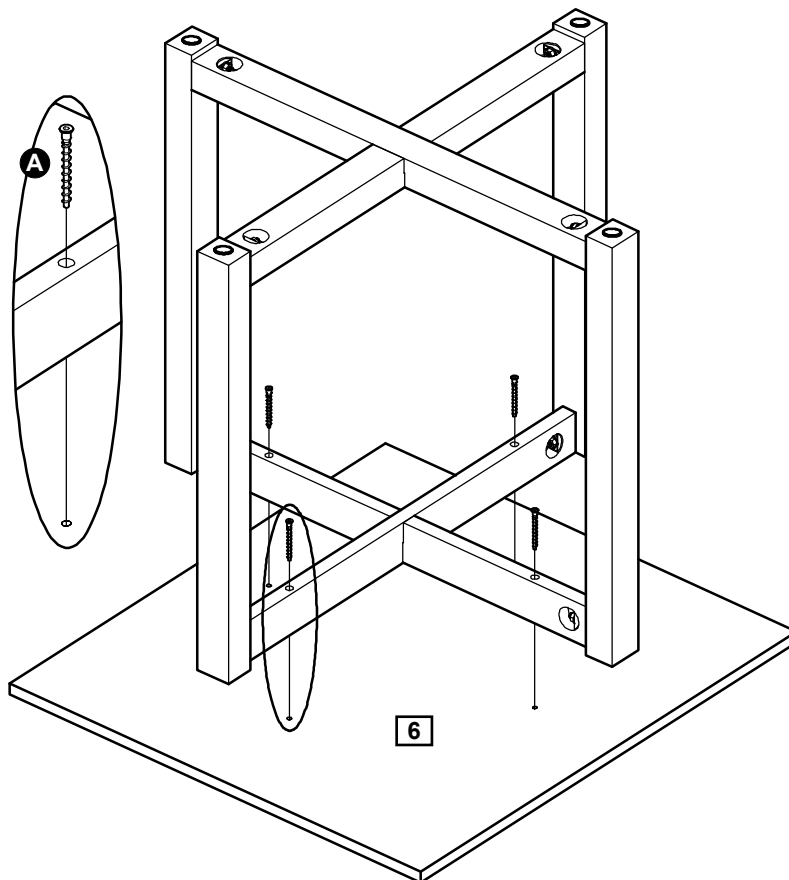
Assemble table top

Two people are needed here.

Place table top **6** upside down on a clean surface, fix the assembled leg frame onto table top using bolts **A**



Important note: After all the parts are positioned, you can now fully tighten all bolts fixed on previous steps.

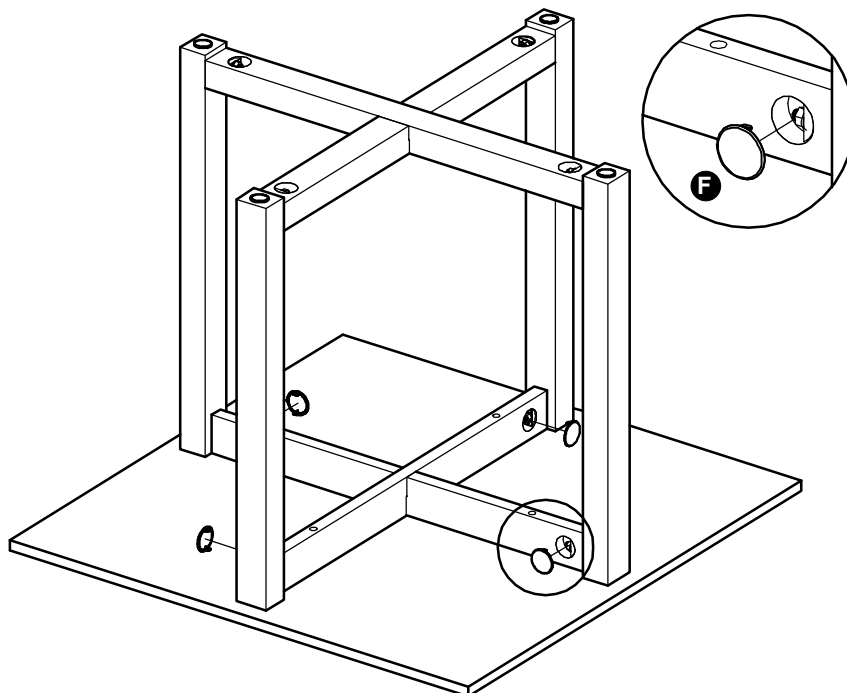


Step 3

Assemble cap

Cover the holes by using caps **F** as shown.

Assemble is complete



If you need help or have damaged or missing parts, call the **Customer Helpline:**
Argos = 0345 6400800

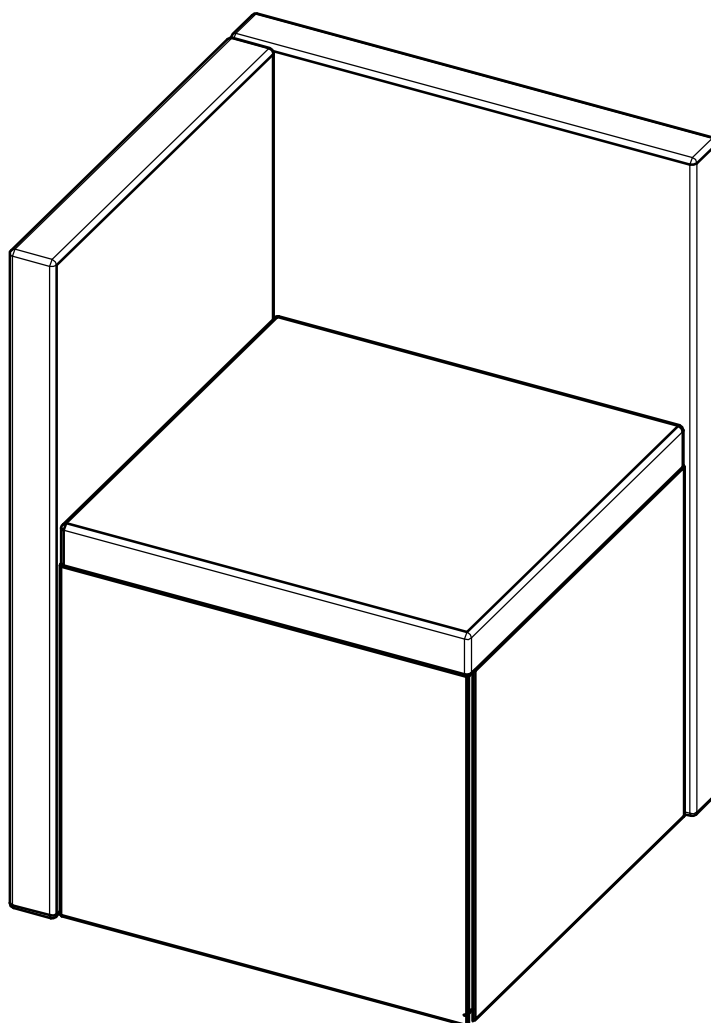
Wooden Space Saver Square Chair

Assembly Instructions - Please keep for future reference

314/9195

323/4550

hygena



Dimensions

Width - 50cm
Depth - 50cm
Height - 72cm

Important – Please read these instructions fully before starting assembly

If you need help or have damaged or missing parts, call the **Customer Helpline:**
Argos = 0345 6400800



Safety and Care Advice

Important – Please read these instructions fully before starting assembly

- Check you have all the components and tools listed on the following pages.
- Remove all fittings from the plastic bags and separate them into their groups.
- Keep children and animals away from the work area, small parts could choke if swallowed.
- Make sure you have enough space to layout the parts before starting.

- During assembly do not stand or put weight on the product, this could cause damage.
- Assemble the item as close to its final position (in the same room) as possible.
- Assemble on a soft level surface to avoid damaging the unit or your floor.
- Parts of the assembly will be easier with 2 people.



- To reduce the likelihood of damaging your product please ensure that your power drill is set on a low torque setting.
- Do not stand on the chair.
- Do not use this chair as a step ladder.
- Maximum safe weight of user: 110kgs.

Care and maintenance

- Only clean using a damp cloth and mild detergent, do not use bleach or abrasive cleaners.
- From time to time check that there are no loose screws on this unit.
- This product should not be discarded with household waste. Take to your local authority waste disposal centre.

Handy Hints

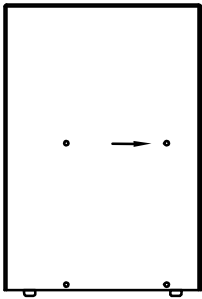
- Assemble all parts and bolts loosely during assembly, only once the product is complete should you fully tighten the bolts
- Regularly check and ensure that all bolts and fittings are tightened properly.

Components - Panels

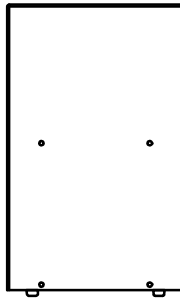
If you have damaged or missing components, call the
Customer Helpline: Argos = 0345 6400800

Please check you have all the panels listed below

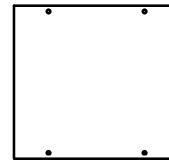
The quantities below are for 4 chairs



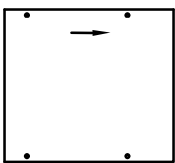
1 Chair back x 4
(72 x 50 cm)



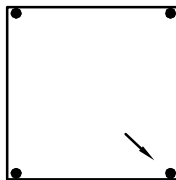
2 Chair back x 4
(72 x 45 cm)



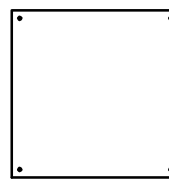
3 Side panel x 4
(43 x 39 cm)



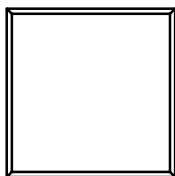
4 Side panel x 4
(44 x 39 cm)



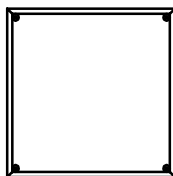
5 Chair seat x 4
(44 x 44 cm)



6 Bottom panel x 4
(40 x 40 cm)



7 Upper frame x 4
(43 x 43 cm)

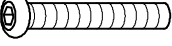
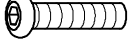



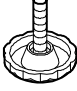



8 Bottom frame x 4
(43 x 43 cm)

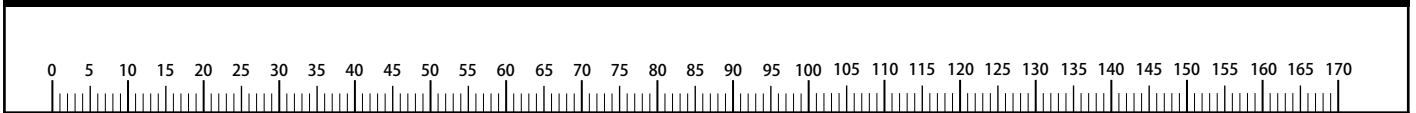
Components - Fittings

Please check you have all the fittings listed below

Note: The quantities below are the correct amount to complete the assembly of 4 chairs. In some cases more fittings may be supplied than are required.

A  58mm Bolt x 32	B  28mm Bolt x 32	C  16mm Bolt x 12
D  Plain washer x 76	E  Spring washer x 64	F  Foot x 4
G  Hex key x 1 (supplied in the fittings pack of table)		

Ruler - Use this ruler to help correctly identify the screws



The bolts length is measured from the head to the point (28mm bolt shown).

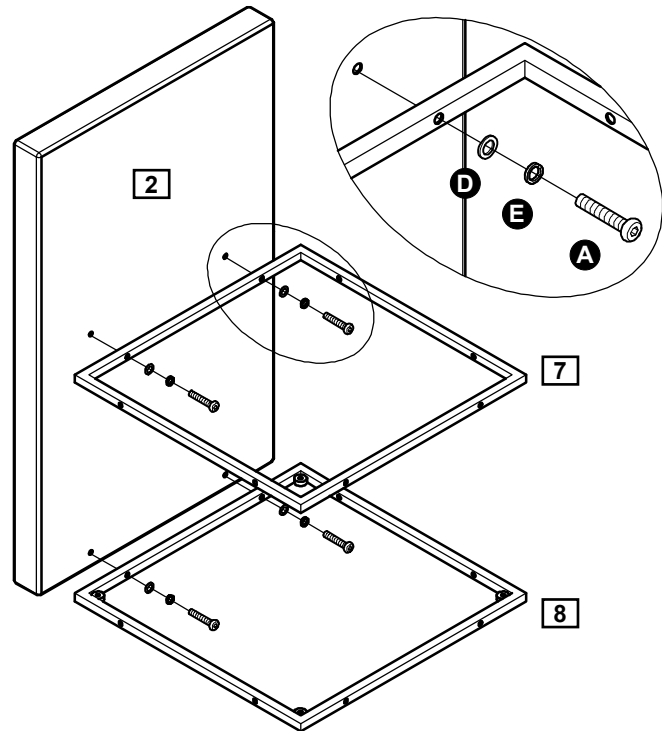
Assembly Instructions

Step 1

Assemble chair backs

a: Fix upper frame **7** and bottom frame **8** to chair back **2** by using bolts **A**, spring washers **E** and plain washers **D**.

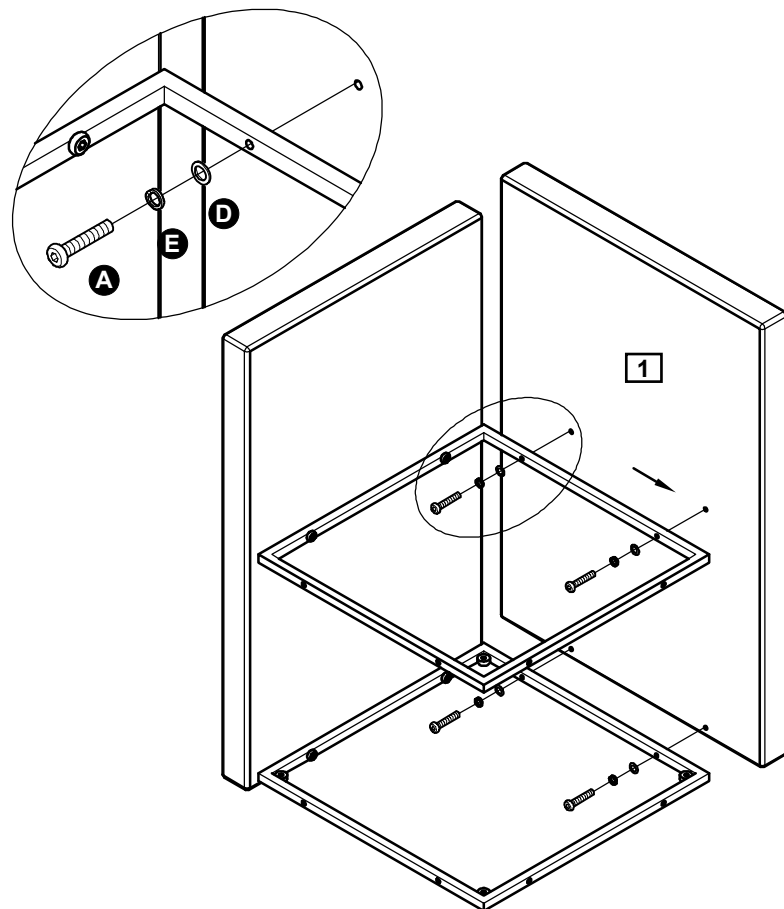
a:



b: Fix chair back **1** to the assembled unit by using bolts **A**, spring washers **E** and plain washers **D**.

Note: The arrow should point outward as shown in the figure.

b:



Important note: Do not fully tighten bolts at this stage.

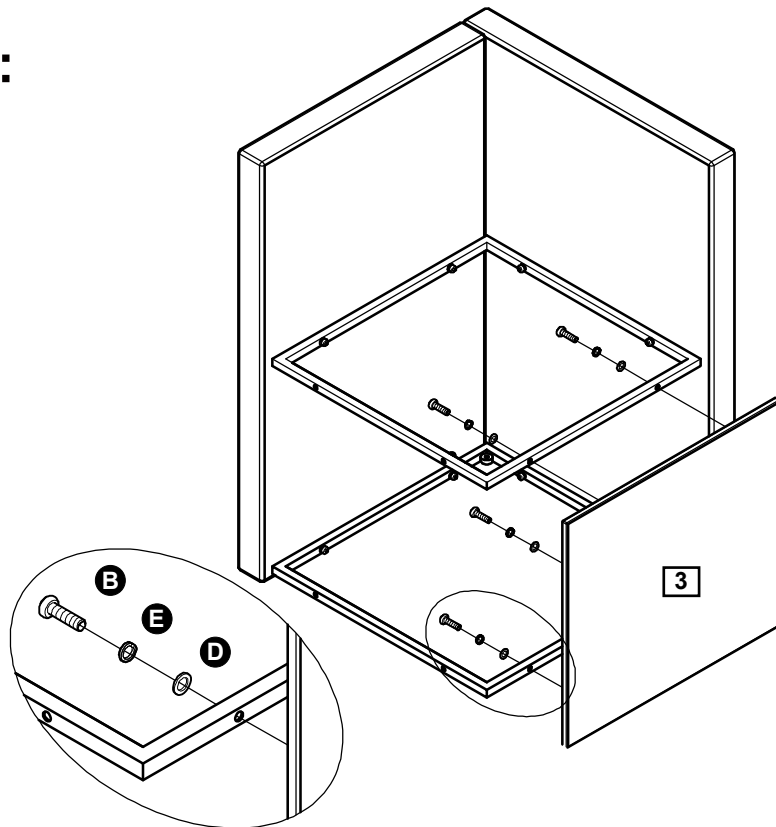
Assembly Instructions

Step 2

Assemble side panels

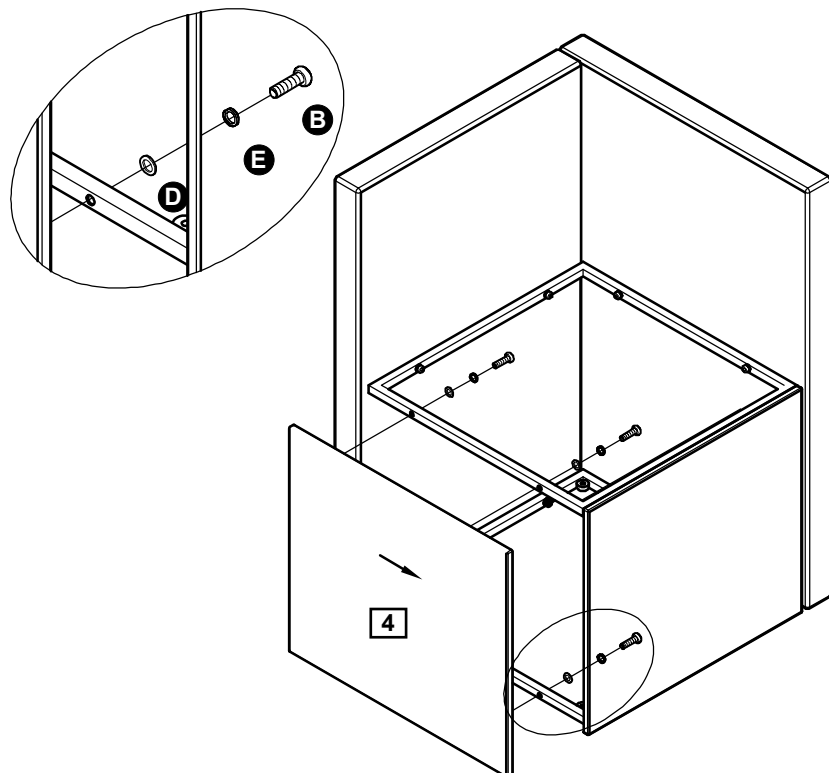
a: Fix side panel **3** to the assembled unit by using bolts **B**, spring washers **E** and plain washers **D**.

a:



b: Fix side panel **4** to the assembled unit by using bolts **B**, spring washers **E** and plain washers **D**.

b:



Note: The arrow should point outward as shown in the figure.



Important note: Do not fully tighten bolts at this stage.

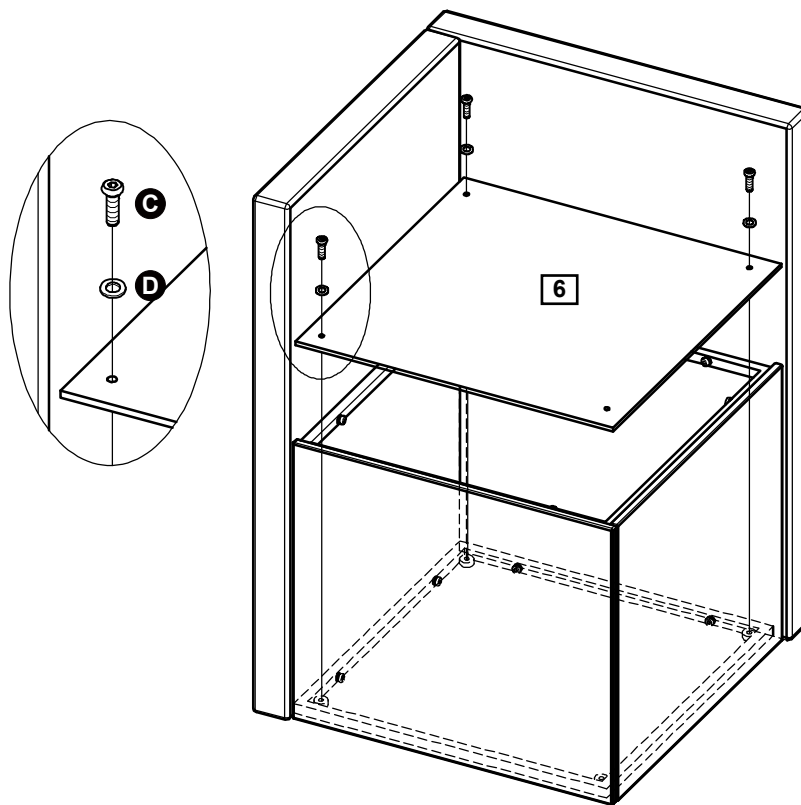
Assembly Instructions

Step 3

Assemble bottom panel

Fix bottom panel **6** to bottom frame by using bolts **C** and plain washers **D**.

Note: Only fix 3 holes as shown in the figure.



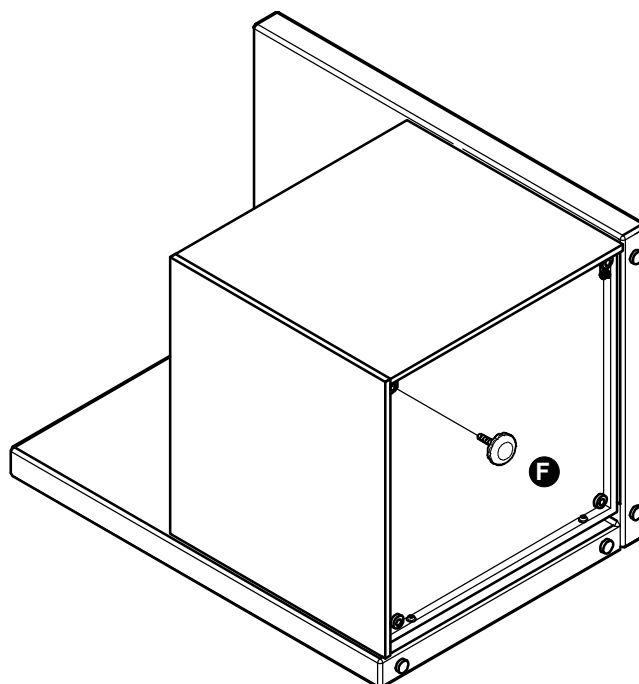
Step 4

Assemble foot

Screw foot **F** into bottom frame.



Important note: After all the parts are positioned, you can now fully tighten all bolts fixed on previous steps.



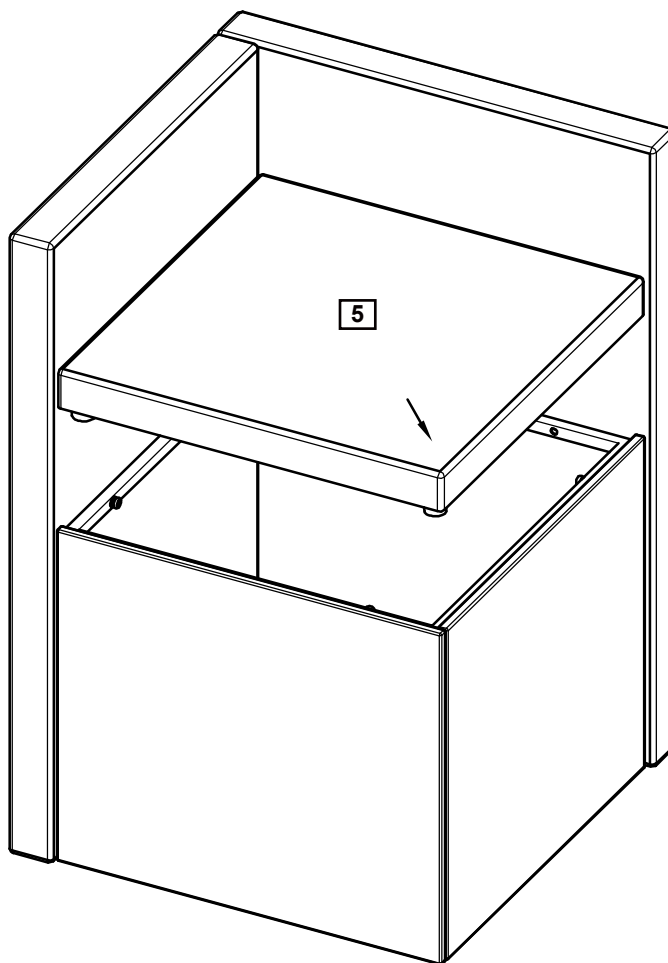
Assembly Instructions

Step 5

Put chair seat **5** onto the frame.

Note: The arrow should point outward as shown in the figure.

Assembly is complete.



If you need help or have damaged or missing parts, call the **Customer Helpline:**
Argos = 0345 6400800