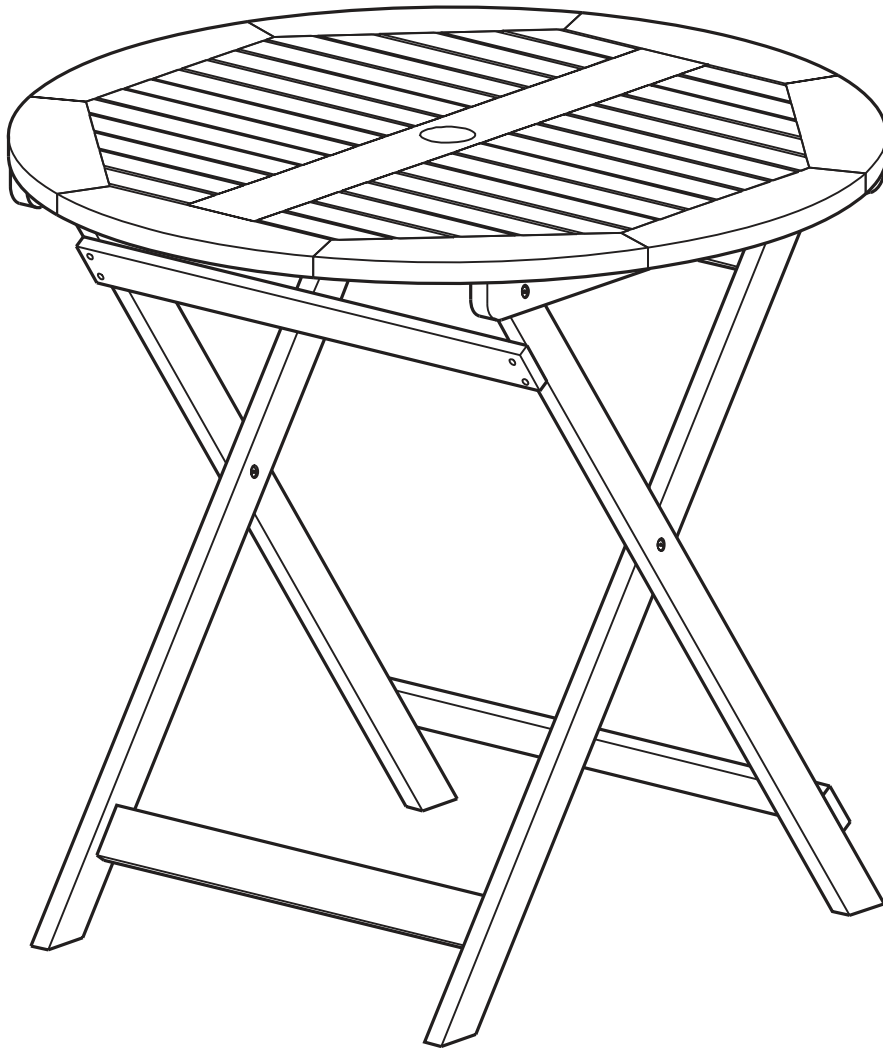


Newbury - 4 Seater Table

Assembly Instructions - Please keep for future reference

314/6318



Dimensions

Width - 80cm

Depth - 80cm

Height - 75cm

Important - Please read these instructions fully before starting assembly

If you need help or have damaged or missing parts, call the **Customer Helpline: 0345 640 0800**



Safety and Care Advice

Important - Please read these instructions fully before starting assembly

- Check you have **all** the components and tools listed on page 2.
- Remove **all** fittings from the plastic bags and separate them into their groups.
- Keep children and animals away from the work area, small parts could choke if swallowed.
- Make sure you have enough space to layout the parts before starting.

- Do not stand or put weight on the product, this could cause damage.
- Assemble the item as close to its final position (in the same room) as possible.
- Assemble on a soft level surface to avoid damaging the unit or your floor.
- Parts of the assembly will be easier with one person.



- We do not recommend the use of power drill/drivers **for inserting bolts**, as this could damage the unit. Only use allen key.
- Dispose of **all** packaging carefully and responsibly.
- Retain assembly instruction for future reference.

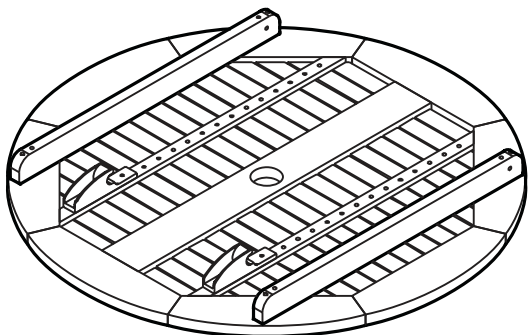
Care and maintenance

- Only clean using a damp cloth and mild detergent, do not use bleach or abrasive cleaners.
- From time to time check that there are no loose screws on this unit.
- This product should not be discarded with household waste. Take to your local authority waste disposal centre.

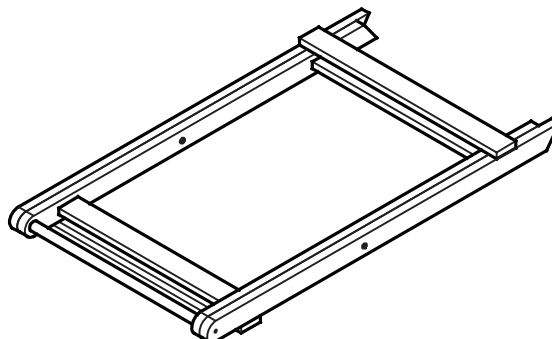
Components - Parts

If you have damaged or missing components, call the **Customer Helpline: 0345 640 0800**

Please check you have all the parts listed below



1 Top (80 x 80cm)



2 Base

Components - Fittings

Please check you have all the fittings listed below

Note: The quantities below are the correct amount to complete the assembly. In some cases more fittings may be supplied than are required.



A M8 x 30mm Bolt x 2



B Flat washers x 2

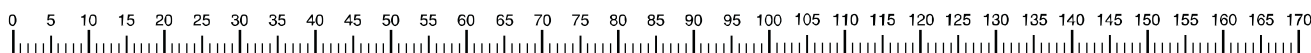


C M8 x 13mm Nuts x 2



D Allen key x 2

Ruler - Use this ruler to help correctly identify the screws

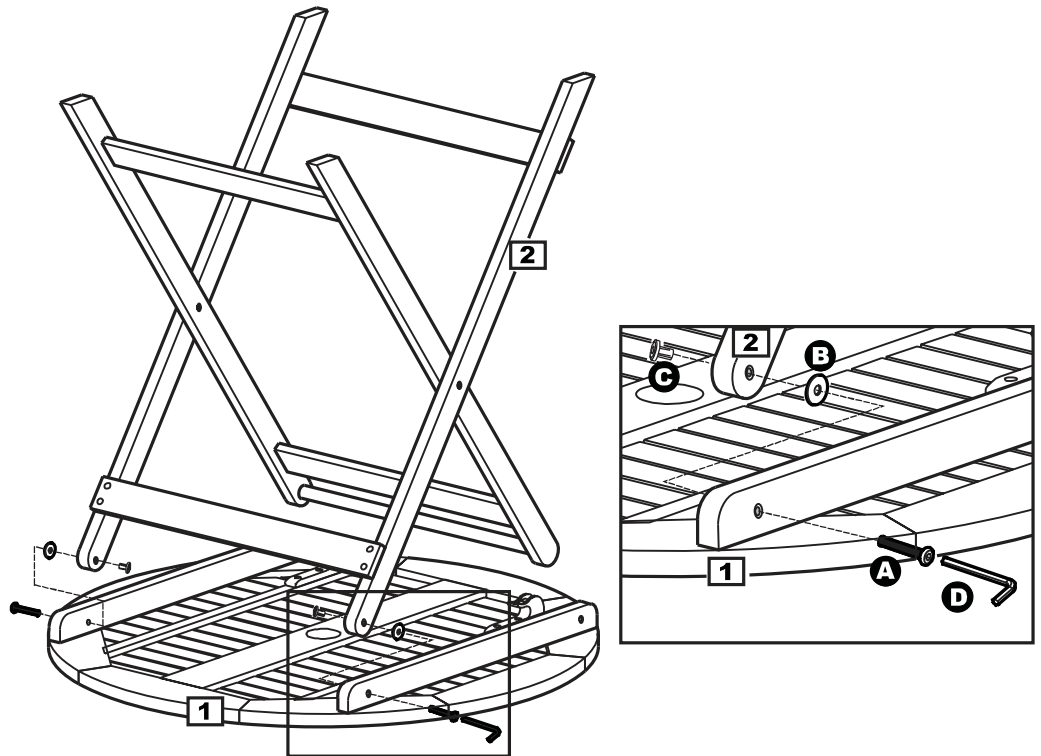


Assembly Instructions

Step 1

Assembling the base

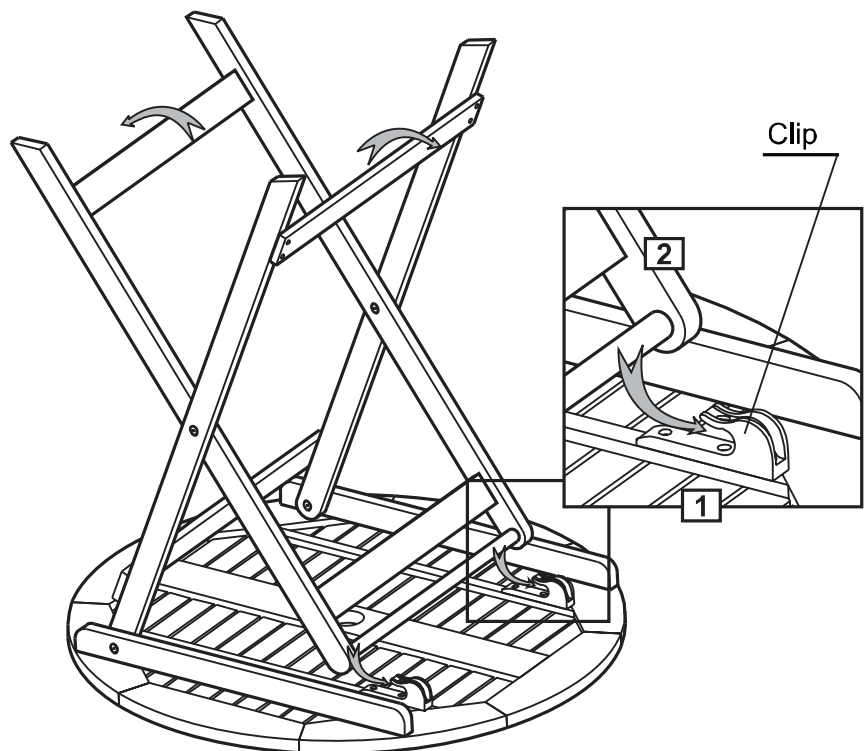
Assemble the base **2** to the top **1** using bolts **A**, flat washers **B** and nuts **C**. Tighten with allen key **D**.



Step 2

Clipping the base bar

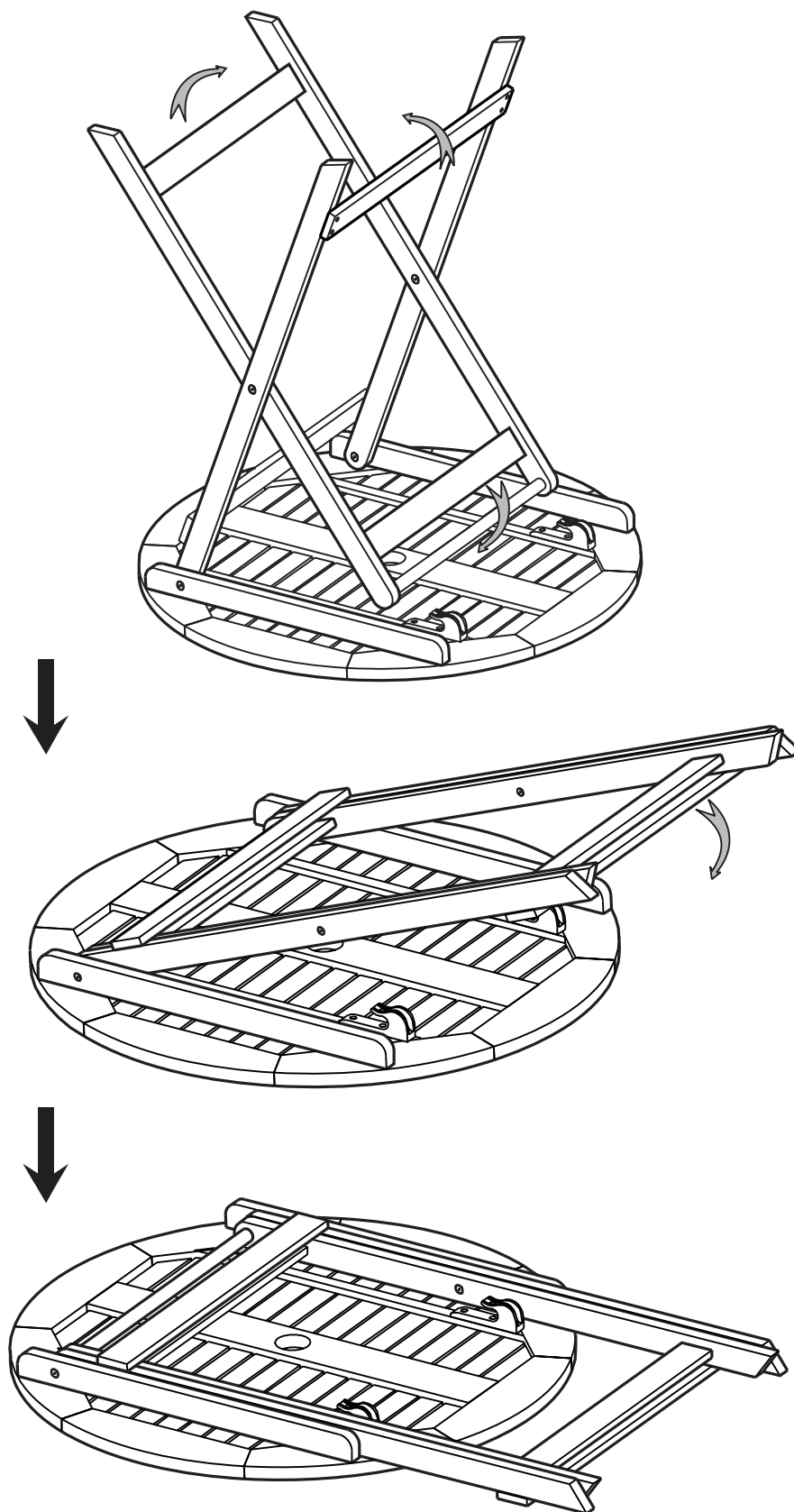
Slip the base bar to the clip and lock into place. Then up side down the table.



Assembly Instructions

Step 3

Folding the table



Assembly is complete.

If you need help or have damaged or missing parts, call the **Customer Helpline: 0345 640 0800**

Important, Retain for Future Reference: Read Carefully!

Care Instructions for wooden furniture

IMPORTANT

As your furniture has been boxed since manufacture there may be a slight oil residue on the pieces which will dry when it is left to air. Care should be taken when assembling and using the furniture in the first couple of days particularly if light coloured clothes are worn. Hardwood has a varied texture which absorbs oil at different rates. This may mean there are some paler dry patches. If this is the case then apply a little oil as directed in the care instructions below.

Use of Wood Furniture

- This furniture has been made for garden and is not suitable for indoor use or conservatories. If positioned on grass the legs may absorb moisture which could cause deterioration. The sunlight will make the colour of the wood mellow with time even if it is oiled.
- Never place hot dishes directly on to the wood as they will mark the surface.
- Wipe up spills immediately as the oiled surface is more susceptible to stains than a lacquered finish and the wood will absorb moisture causing the grain to rise slightly.
- Take care when moving furniture and never drag pieces as this will cause damage to the joints.
- To ensure the longevity of your garden furniture it is advised that it is covered when not in use and that it is stored in a garage or shed over the winter months. Ensure furniture is dry before storing.

Care Instructions

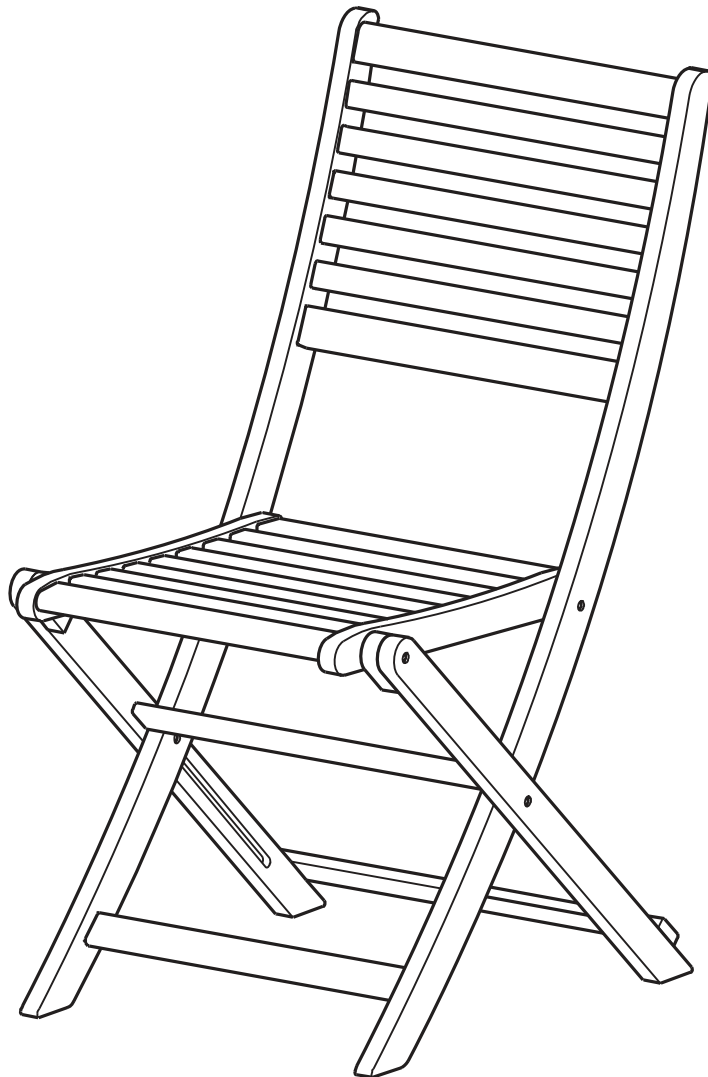
- In the first three months the furniture should be oiled monthly with a hardwood garden furniture oil using a lint free cloth, paying particular attention to the ends of the legs and slats as they are more absorbent.
- After the first three months, the furniture should be oiled once a year as it is brought out at the beginning of the spring summer season and whenever the surface is looking dry. The wood will gradually change colour to a silvery grey and the surface will become rough. Regular oiling will help to minimise cracking but won't eliminate it. Cracking of the timber does not affect the durability of the product.
- Do not use oils sold for cooking or eating as they will leave a sticky film.
- If the surface of the furniture becomes slightly stained or damaged with use, then it can often be removed by sanding gently with fine sandpaper then re-oiling. If the stain or damage is more serious then we recommend that professional help is obtained.
- Please check the fixings are all tight when you put the furniture out each year, As the wood will change size slightly with the different seasons.

Please retain for future reference.

Newbury - Folding Chair

Care Instructions - Please keep for future reference

314/6318
323/8154
323/9830



Dimensions

Width - 46.5cm
Depth - 61cm
Height - 90cm


Important - Please read these instructions fully before starting assembly

If you need help or have damaged or missing parts, call the **Customer Helpline: 0345 640 0800**



Safety and Care Advice

Warnings

- Do not stand on the chair.
- Do not use the chair as a step ladder.
- Do not sit with sharp objects in back pockets as this may damage the seat surface.
- Do not knock the surface of the seat against sharp solid surfaces.
-  Maximum safe weight of user: 110KG

Care and maintenance

- Only clean using a damp cloth and mild detergent, do not use bleach or abrasive cleaners.
- From time to time check that there are no loose screws on this unit.
- This product should not be discarded with household waste. Take to your local authority waste disposal centre.

Important, Retain for Future Reference: Read Carefully!

Care Instructions for wooden furniture

IMPORTANT

As your furniture has been boxed since manufacture there may be a slight oil residue on the pieces which will dry when it is left to air. Care should be taken when assembling and using the furniture in the first couple of days particularly if light coloured clothes are worn. Hardwood has a varied texture which absorbs oil at different rates. This may mean there are some paler dry patches. If this is the case then apply a little oil as directed in the care instructions below.

Use of Wood Furniture

- This furniture has been made for garden and is not suitable for indoor use or conservatories. If positioned on grass the legs may absorb moisture which could cause deterioration. The sunlight will make the colour of the wood mellow with time even if it is oiled.
- Never place hot dishes directly on to the wood as they will mark the surface.
- Wipe up spills immediately as the oiled surface is more susceptible to stains than a lacquered finish and the wood will absorb moisture causing the grain to rise slightly.
- Take care when moving furniture and never drag pieces as this will cause damage to the joints.
- To ensure the longevity of your garden furniture it is advised that it is covered when not in use and that it is stored in a garage or shed over the winter months. Ensure furniture is dry before storing.

Care Instructions

- In the first three months the furniture should be oiled monthly with a hardwood garden furniture oil using a lint free cloth, paying particular attention to the ends of the legs and slats as they are more absorbent.
- After the first three months, the furniture should be oiled once a year as it is brought out at the beginning of the spring summer season and whenever the surface is looking dry. The wood will gradually change colour to a silvery grey and the surface will become rough. Regular oiling will help to minimise cracking but won't eliminate it. Cracking of the timber does not affect the durability of the product.
- Do not use oils sold for cooking or eating as they will leave a sticky film.
- If the surface of the furniture becomes slightly stained or damaged with use, then it can often be removed by sanding gently with fine sandpaper then re-oiling. If the stain or damage is more serious then we recommend that professional help is obtained.
- Please check the fixings are all tight when you put the furniture out each year, As the wood will change size slightly with the different seasons.

Please retain for future reference.