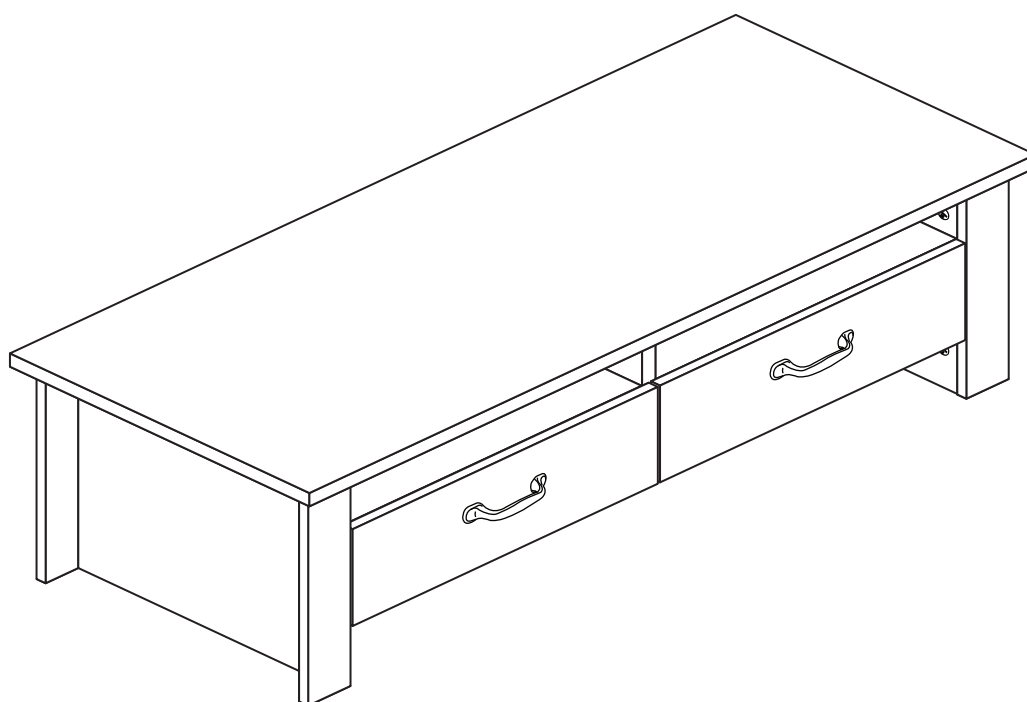


# Ohio - Coffee Table

Assembly Instructions - Please keep for future reference

309/5256

424/5122



## Dimensions

Width - 120cm

Depth - 49.5cm

Height - 37.5cm



**MADE IN  
BRITAIN**

**Important** - Please read these instructions fully before starting assembly

If you need help or have damaged or missing parts, call the **Customer Helpline: 03456 400800**



# Safety and Care Advice

**Important - Please read these instructions fully before starting assembly**

- **Warning:** This unit weighs approximately 25kgs. Please lift with care.

- Check you have all the components and tools listed on pages 2 and 3.

- Remove all fittings from the plastic bags and separate them into their groups.

- Keep children and animals away from the work area, small parts could choke if swallowed.

- Parts of the assembly will be easier with 2 people.

- Make sure you have enough space to layout the parts before starting.

- Do not stand or put weight on the product, this could cause damage.

- Assemble the item as close to its final position (in the same room) as possible.

- Assemble on a soft level surface to avoid damaging the unit or your floor (use opened out unit carton).



- We do not recommend the use of power drill/drivers **for inserting screws**, as this could damage the unit. Only use hand screwdrivers.

- **Safety note:** If there is any chance of this unit being pulled over by children etc. it is recommended that the unit is secured to a wall using suitable fixings (not supplied).

- Dispose of all packaging carefully and responsibly.

## Care and maintenance

- Only clean using a damp cloth and mild detergent, do not use bleach or abrasive cleaners.

- From time to time check that there are no loose screws on this unit.

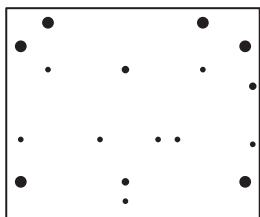
- This product should not be discarded with household waste. Take to your local authority waste disposal centre.

**Note:** If required the next page can be cut out and used as reference throughout the assembly. Keep this page with these instructions for future reference.

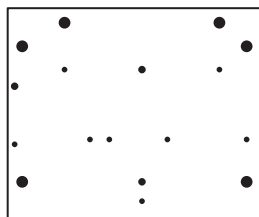
# Components - Panels

If you have damaged or missing components, call the **Customer Helpline: 03456 400800** quoting the reference numbers below

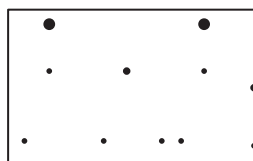
Please check you have all the panels listed below



**1** Left Side (D1773B)  
(350 x 419mm)



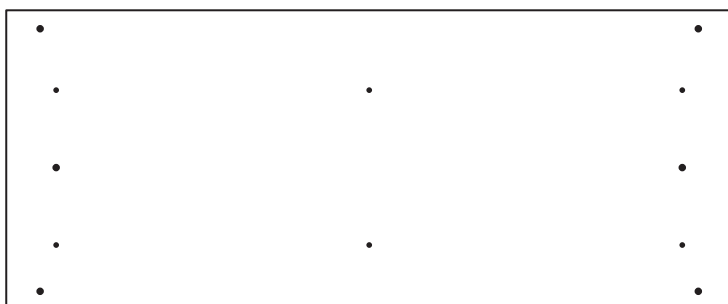
**2** Right Side (D1774B)  
(350 x 419mm)



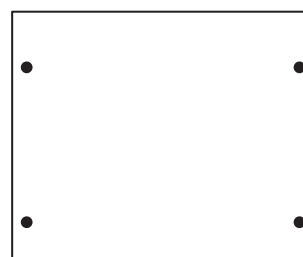
**3** Divider (D1775B)  
(255 x 417mm)



**4** Fascia (D1781A)  
(350 x 70mm) x 4



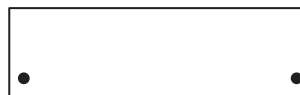
**5** Top (D1772A)  
(1200 x 495mm)



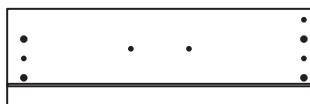
**6** Horizontal (D1776A)  
(499 x 415mm) x 2



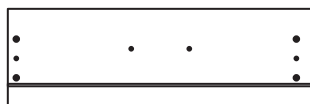
**7** Plinth (D1778A)  
(1020 x 95mm)



**8** Back (D1777A)  
(499 x 146mm) x 2



**9** Left Drawer Front (D1779A)  
(504.5 x 160mm)



**10** Right Drawer Front (D1780A)  
(504.5 x 160mm)



**11** Drawer Base (T462-347)  
(462 x 347mm) x 2



**12** Left Drawer Side (W370-95LH)  
(370 x 95mm) x 2



**13** Left Drawer Side (W370-95RH)  
(370 x 95mm) x 2



**14** Drawer Back (W451-124)  
(451 x 124mm) x 2

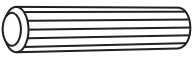
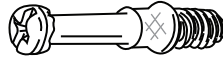



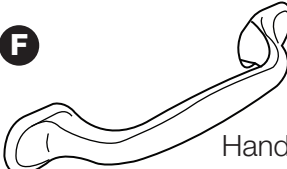





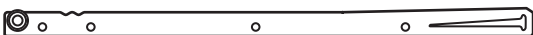


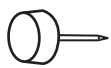


# Components - Fittings

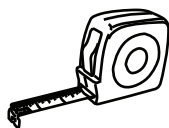
If you have damaged or missing components, call the **Customer Helpline: 03456 400800** quoting the reference numbers below

Please check you have all the fittings listed below

**Note:** The quantities below are the correct amount to complete the assembly. In some cases more fittings may be supplied than are required.

<p><b>A</b> </p> <p>Wooden dowel (F22) x 16</p>	<p><b>B</b> </p> <p>Metal dowel (F901) x 32</p>	<p><b>C</b> </p> <p>Large locking nut (F900) x 28</p>
<p><b>D</b> </p> <p>Small locking nut (F3) x 4</p>	<p><b>E</b> </p> <p>Knock-in Peg (F171) x 8</p>	<p><b>F</b> </p> <p>Handle (F287) x 2</p>
<p><b>G</b> </p> <p>19mm Screw (F461) x 4</p>	<p><b>H</b> </p> <p>9mm Screw (F73) x 12</p>	<p><b>I</b> </p> <p>13mm Screw (F63) x 12</p>
<p><b>J a</b>  L Runner (F159) x 2</p> <p><b>J b</b>  R Runner (F160) x 2</p> <p><b>J c</b>  L Runner (F161) x 2</p> <p><b>J d</b>  R Runner (F162) x 2</p>	<p><b>K</b> </p> <p>Wedgefix (F639) x 4</p> <p><b>L</b> </p> <p>Plastic Nail (F91) x 5</p>	

## Tools required



Rule



Cross-head screwdriver



Scissors

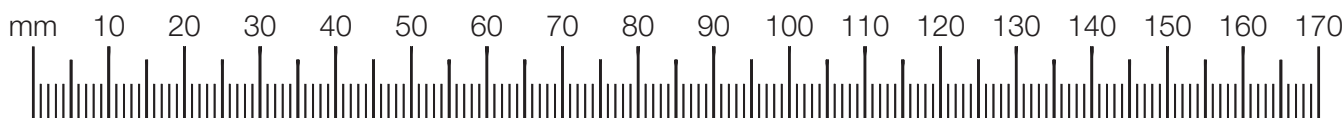


Hammer



Eye protection (when using a hammer or drill)

Ruler - Use this ruler to help correctly identify the screws



# Assembly Instructions

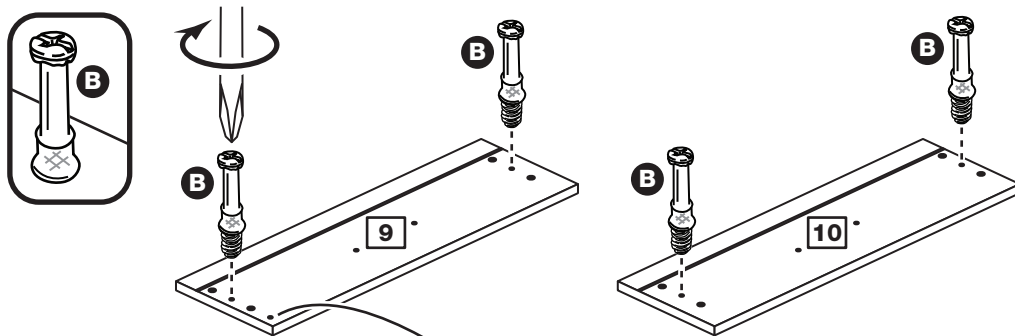
If you have damaged or missing components, call the Customer Helpline: 03456 400800 quoting the reference numbers below

## Step 1

### Prepare the drawer fronts

Screw 2 metal dowels **B** into the holes shown on the back of the left drawer front **9** and the right drawer front **10**.

**Note:** Tighten the metal dowels up fully against the panels.



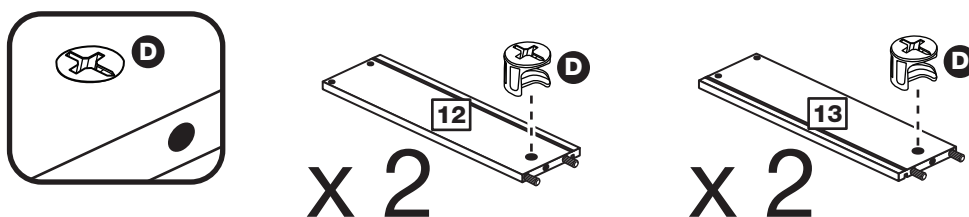
**Note:** The left drawer front **9** has a small identification hole.

## Step 2

### Prepare the drawer sides

Insert a small locking nut **D** into the hole shown on the left drawer side **12** and right drawer side **13**.

**Note:** Arrow on locking nut **must** point towards hole in edge of panel.



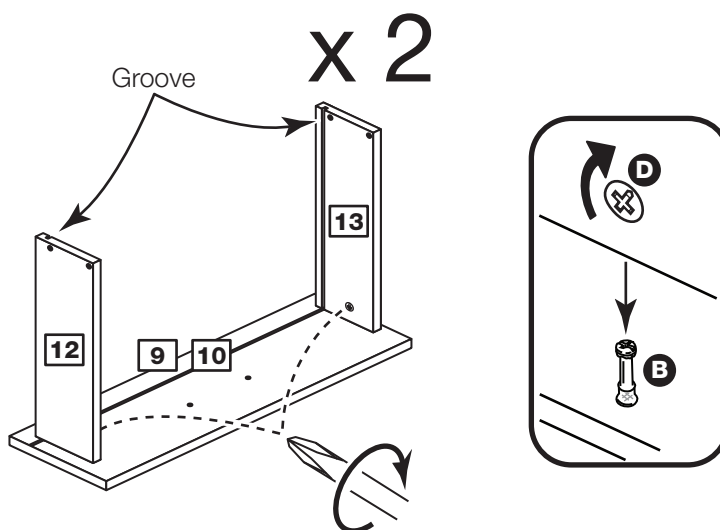
## Step 3

### Attach the drawer sides to the drawer front

Push the left drawer side **12** and right drawer side **13** onto the back of the drawer fronts **9** and **10**.

Turn the small locking nuts **D** on the left drawer side **12** and right drawer side **13**.

**Note:** Turn the locking nuts **D** clockwise to secure panels - more than 1/2 a turn.

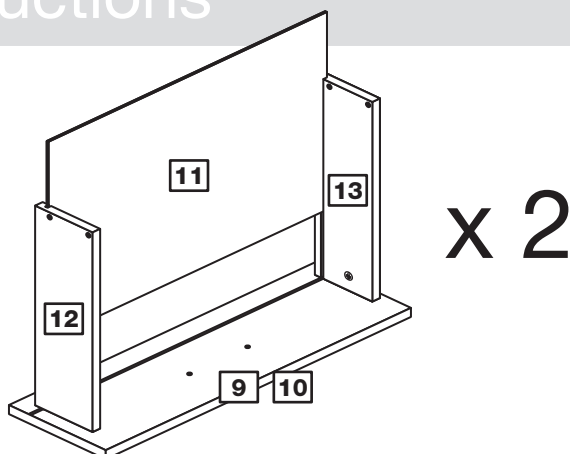


# Assembly Instructions

## Step 4

### Fit the drawer base

Slide the drawer base **11** down the grooves in the drawer sides **12** and **13** and down into the groove in the drawer front **9** and **10**.



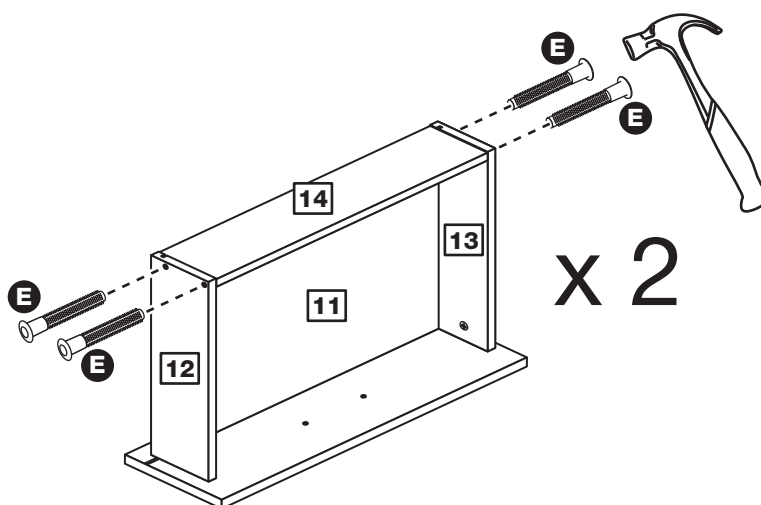
## Step 5

### Fit the drawer back

Fit the drawer back **14** between the drawer sides **12** and **13**.

Make sure that the drawer base **11** fits into the groove in the drawer back **14**.

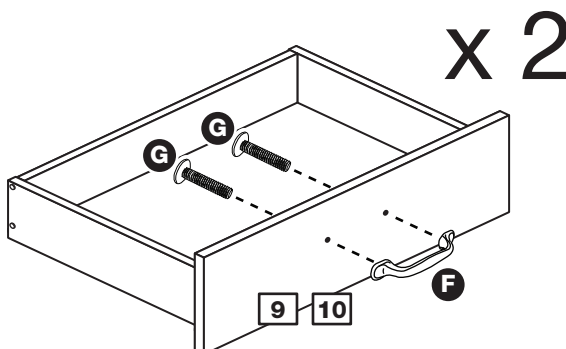
Hold the drawer back **14** in position and tap the knock-in pegs **E** through the holes in the drawer sides **12** and **13**.



## Step 6

### Attach the handles

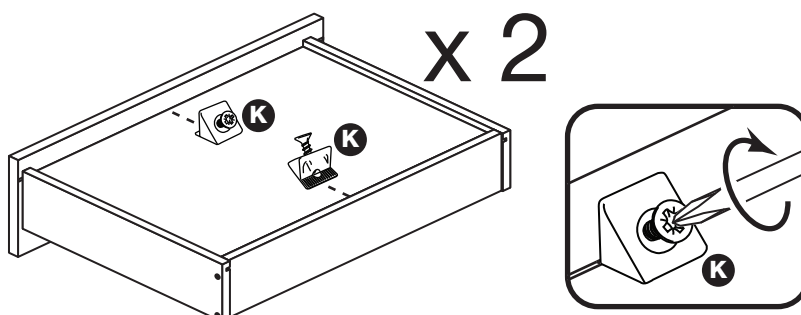
Attach a handle **F** to each drawer front **9** and **10** using 2 screws **G**.



## Step 7

### Fit the wedgexes

Turn the 2 drawer assemblies over and slide 2 wedgexes **K** into the front and back grooves, as shown, and tighten up the screws.



# Assembly Instructions

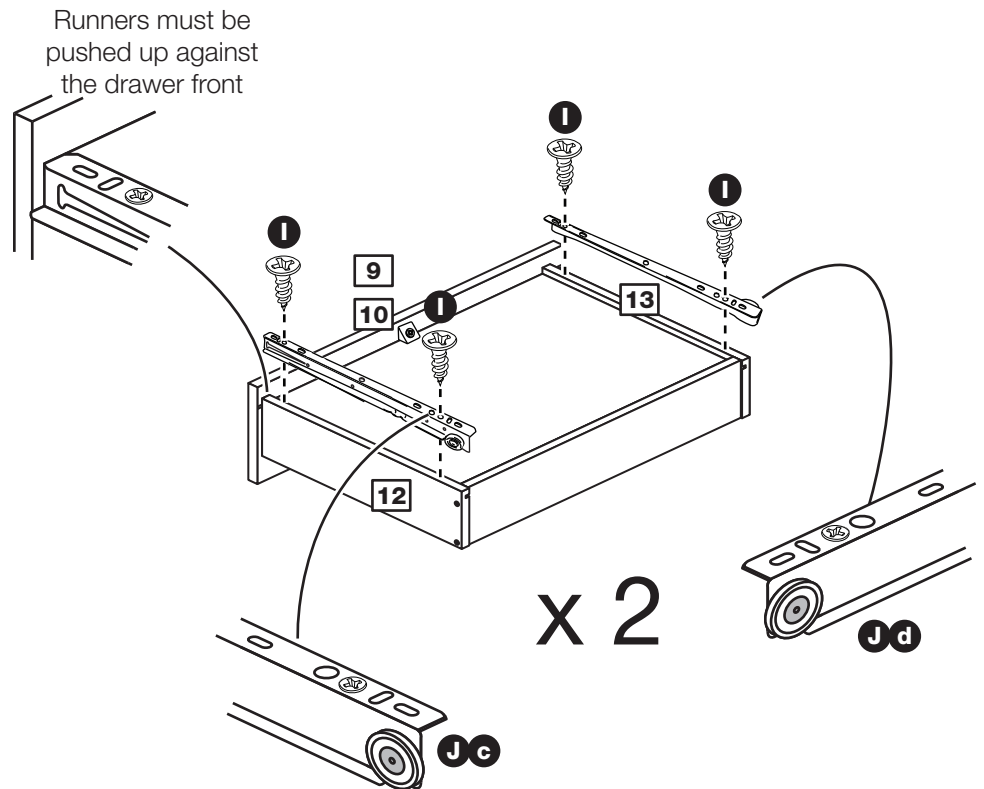
## Step 8

### Fit runners to the drawers

Turn the drawer assemblies over.

Fit the runner **Jc** to the bottom edge of the left drawer side **12**, as shown, making sure that it is pushed up against the back of the drawer front **9** and **10**. Use a bradawl to mark the fixing positions, then secure with 2 screws **I**.

Fit the runner **Jd** to the bottom edge of the right drawer side **13** using the same method.



## Step 9

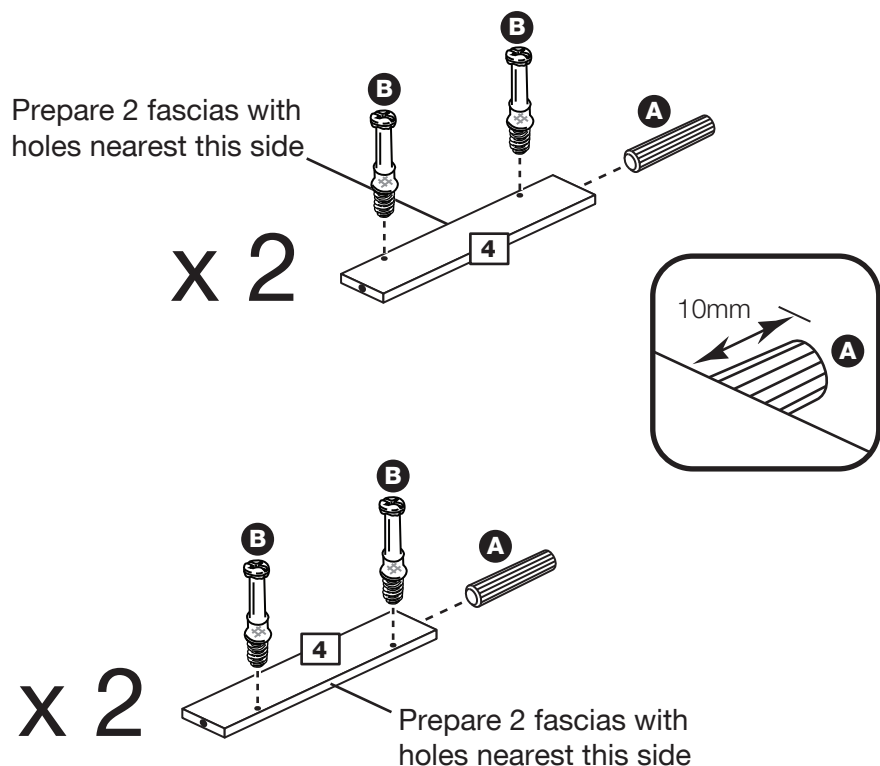
### Prepare the 4 fascias

Check that the holes are in the same place as the diagrams, as each pair are prepared differently.

Screw 2 metal dowels **B** into each of the 4 fascias **4**.

Tap a wooden dowel **A** into each of the 4 fascias **4**.

**Note:** Wooden dowels **must not** stick out from the edge by more than 10mm or they may damage other panels.



# Assembly Instructions

## Step 10

### Prepare the left side

**a:** Fit a runner **J a** to the left side **1**.

The 1st screw **H** uses the 1st hole in from the front of the runner.

The 2nd and 3rd screws **H** use the holes that line up with the other panel holes.

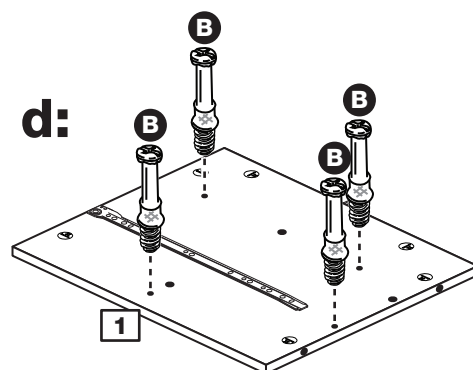
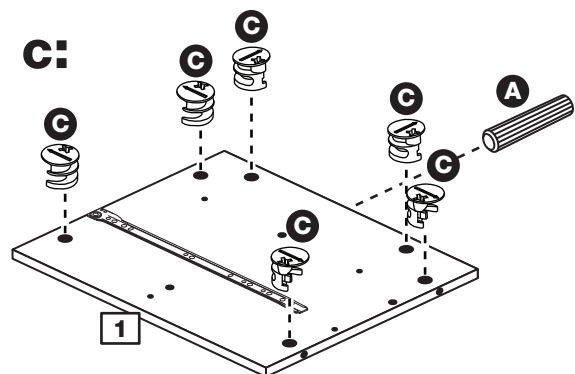
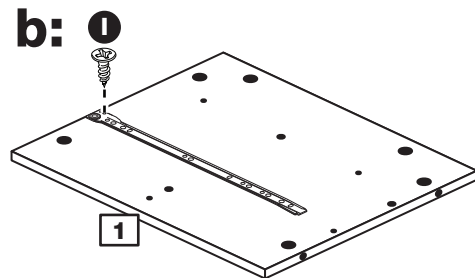
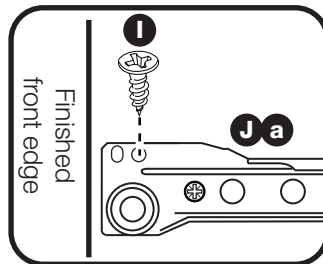
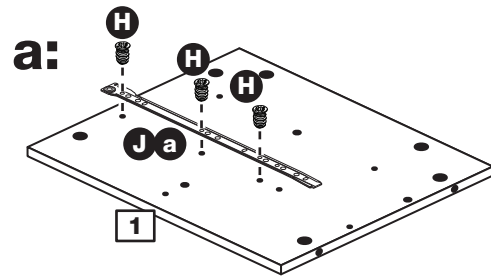
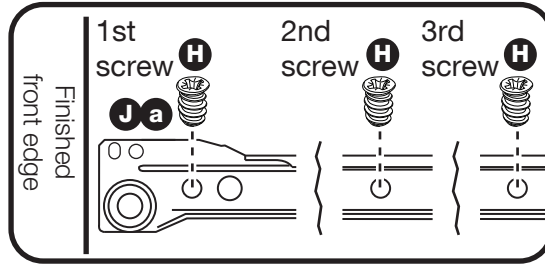
**b:** Fit a screw **I** into the 2nd hole in at the top of the runner **J a**.

**c:** Insert 6 large locking nuts **C** into the left side **1**.

**Note:** The arrow on the locking nut **must** point towards the hole in the edge of the panel.

Tap a wooden dowel **A** into the left side **1**.

**d:** Screw 4 metal dowels **B** into the left side **1**.





# Assembly Instructions

## Step 11

### Fit 2 fascia panels to the left side

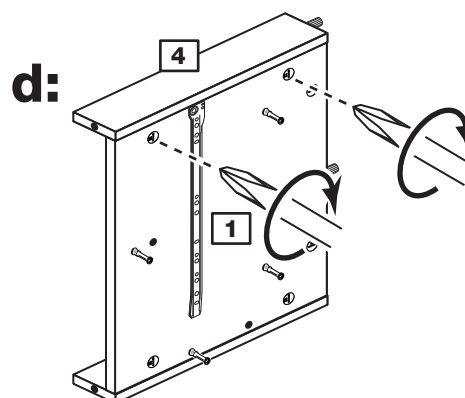
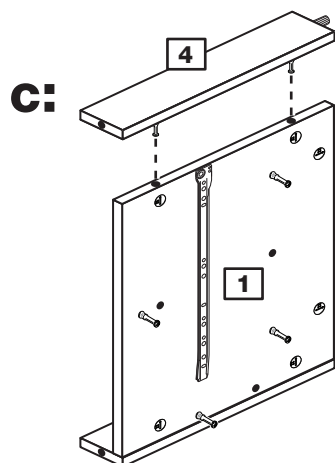
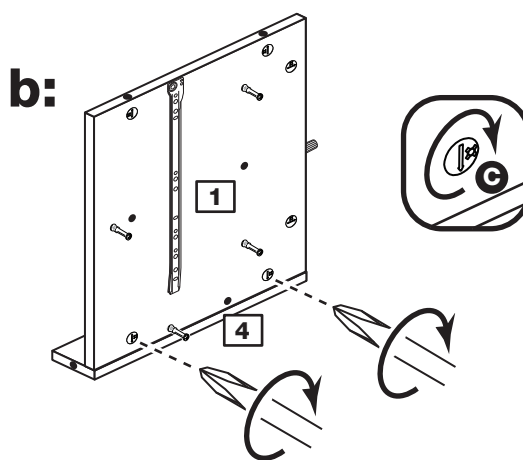
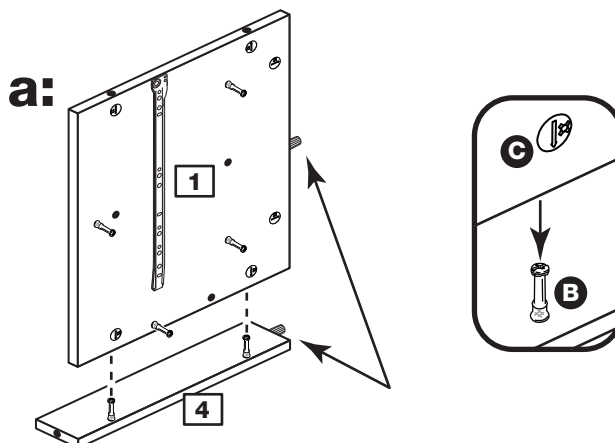
**a:** Push the left side **1** down onto a fascia panel **4**.

**b:** Use a screwdriver to tighten the 2 large locking nuts **C** fitted to the left side **1**.

**Note:** Turn the large locking nuts **C** as far as they will go - more than 1/2 a turn.

**c:** Push a fascia panel **4** down onto the left side **1**.

**d:** Use a screwdriver to tighten the 2 large locking nuts **C** fitted to the left side **1**.



# Assembly Instructions

## Step 12

### Prepare the right side

**a:** Fit a runner **Jb** to the right side **2**.

The 1st screw **H** uses the 1st hole in from the front of the runner.

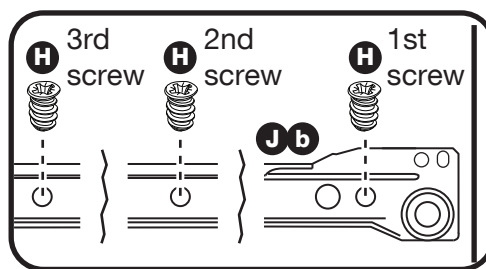
The 2nd and 3rd screws **H** use the holes that line up with the other panel holes.

**b:** Fit a screw **I** into the 2nd hole in at the top of the runner **Jb**.

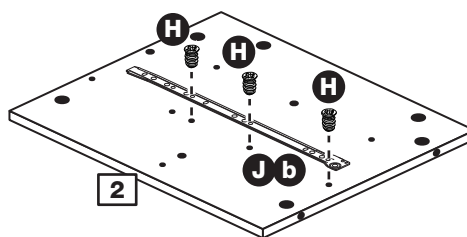
**c:** Insert 6 large locking nuts **C** into the right side **2**.

Tap a wooden dowel **A** into the right side **2**.

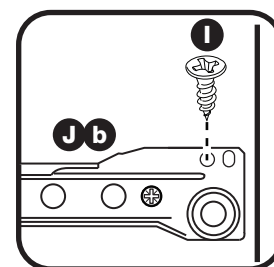
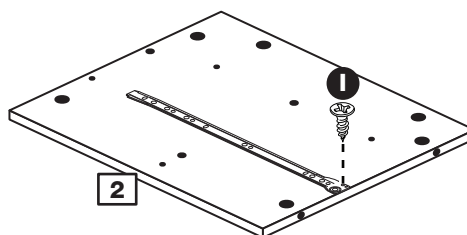
**d:** Screw 4 metal dowels **B** into the right side **2**.



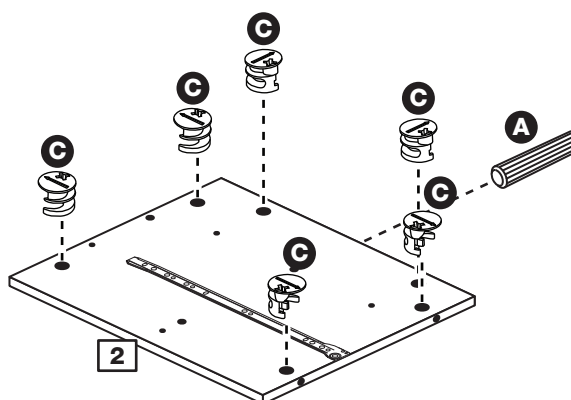
**a:**



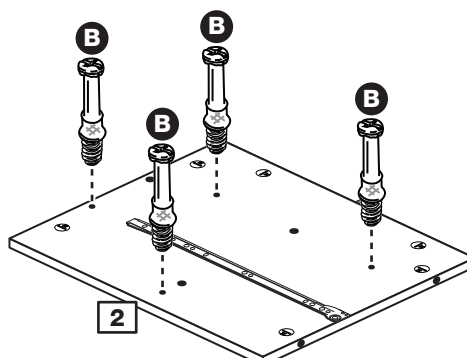
**b:**



**c:**



**d:**



# Assembly Instructions

## Step 13

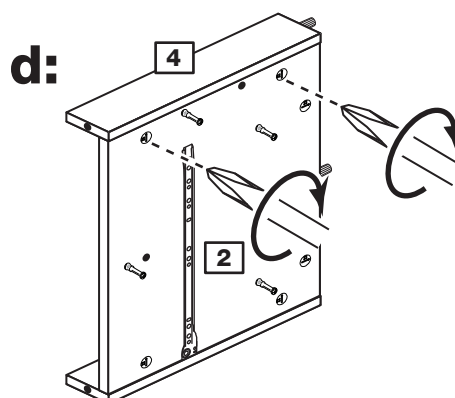
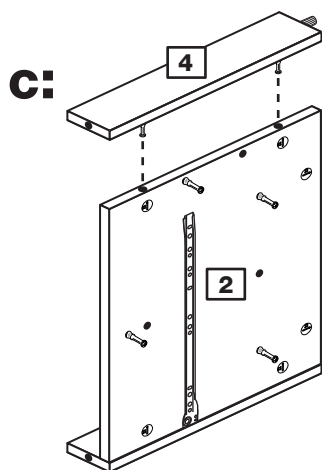
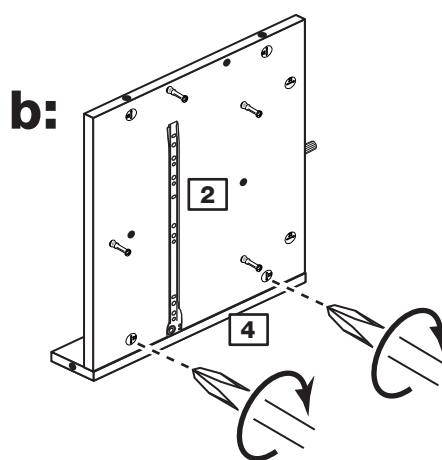
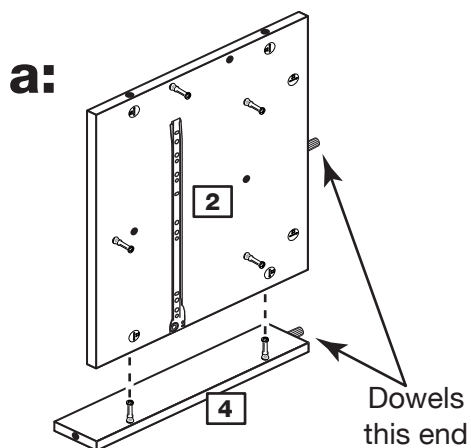
### Fit 2 fascia panels to the right side

**a:** Push the right side **2** down onto a fascia panel **4**.

**b:** Use a screwdriver to tighten the 2 large locking nuts **c** fitted to the right side **2**.

**c:** Push a fascia panel **4** down onto the right side **2**.

**d:** Use a screwdriver to tighten the 2 large locking nuts **c** fitted to the right side **2**.



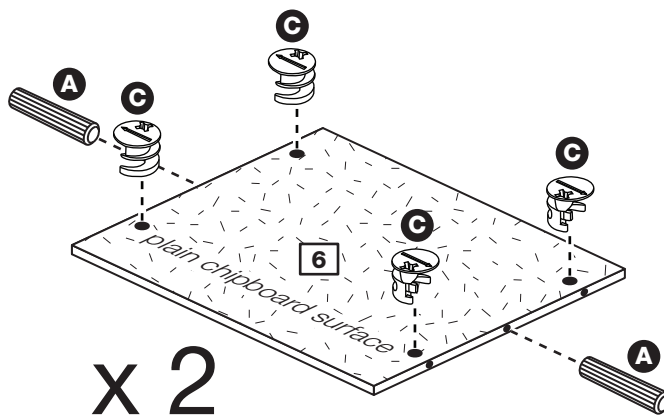
# Assembly Instructions

## Step 14

### Prepare the 2 horizontals

Insert 4 large locking nuts **C** into each of the 2 horizontals **6**.

Tap 2 wooden dowels **A** into each of the 2 horizontals **6**.

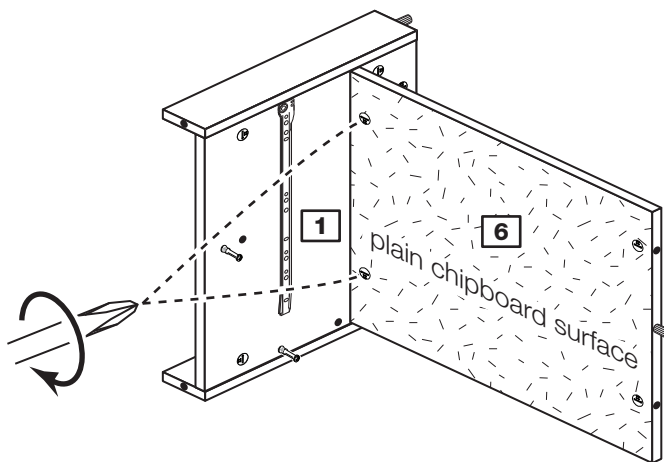


## Step 15

### Fit a horizontal onto the left side

Push a horizontal **6** onto the left side **1**.

Use a screwdriver to tighten the 2 large locking nuts **C** fitted to the horizontal **6**.

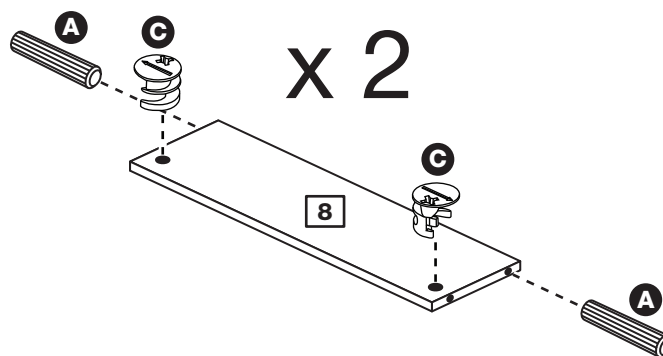


## Step 16

### Prepare the 2 backs

Insert 2 large locking nuts **C** into each of the 2 backs **8**.

Tap 2 wooden dowels **A** into each of the 2 backs **8**.



# Assembly Instructions

## Step 17

### Prepare the divider

**a:** Fit a runner **J a** to the divider **3**.

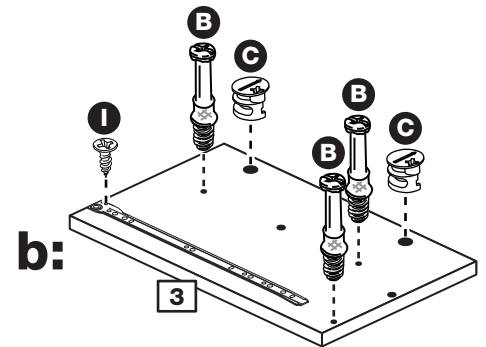
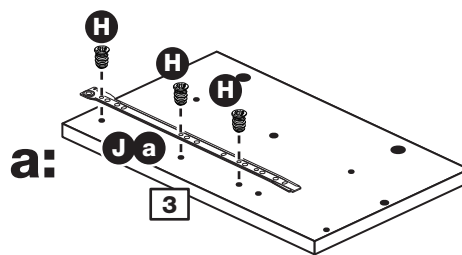
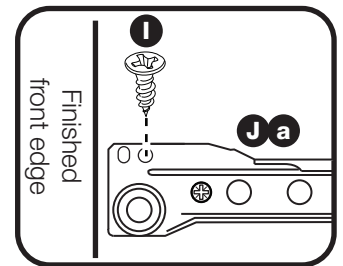
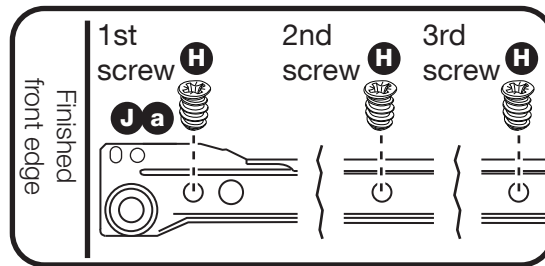
The 1st screw **H** uses the 1st hole in from the front of the runner.

The 2nd and 3rd screws **H** use the holes that line up with the other panel holes.

**b:** Fit a screw **I** into the 2nd hole in at the top of the runner **J a**.

Insert 2 large locking nuts **C** into the divider **3**.

Screw 3 metal dowels **B** into the divider **3**.



*Turn the divider over*

### Turn the divider over

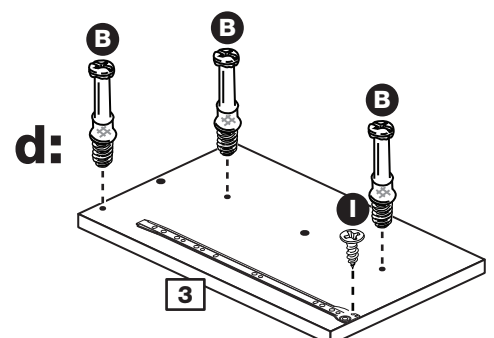
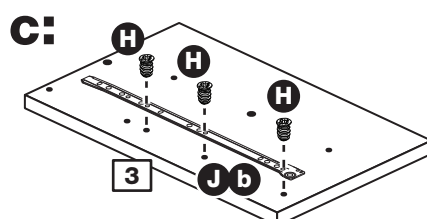
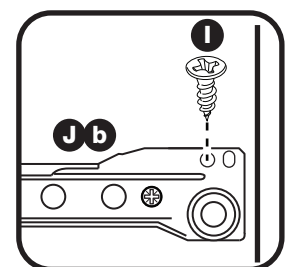
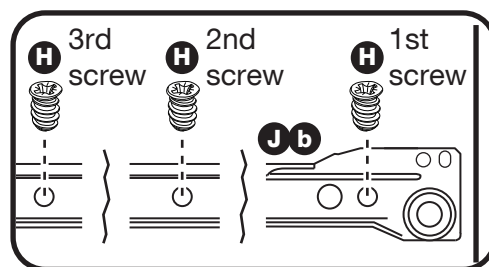
**c:** Fit a runner **J b** to the divider **3**.

The 1st screw **H** uses the 1st hole in from the front of the runner.

The 2nd and 3rd screws **H** use the holes that line up with the other panel holes.

**d:** Fit a screw **I** into the 2nd hole in at the top of the runner **J b**.

Screw 3 metal dowels **B** into the divider **3**.



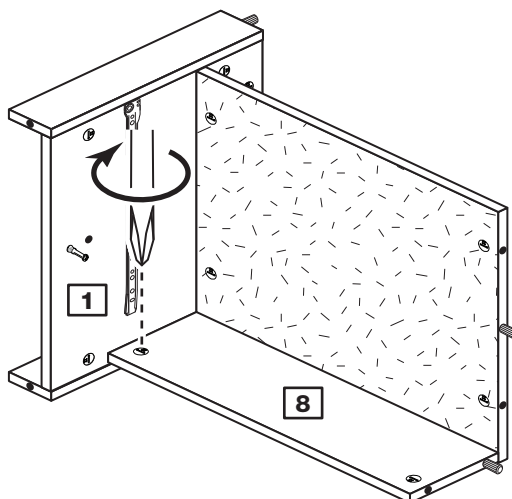
# Assembly Instructions

## Step 18

### Fit a back

Push a back **8** onto the left side **1**.

Use a screwdriver to tighten the large locking nut **C** fitted to the back **8**.

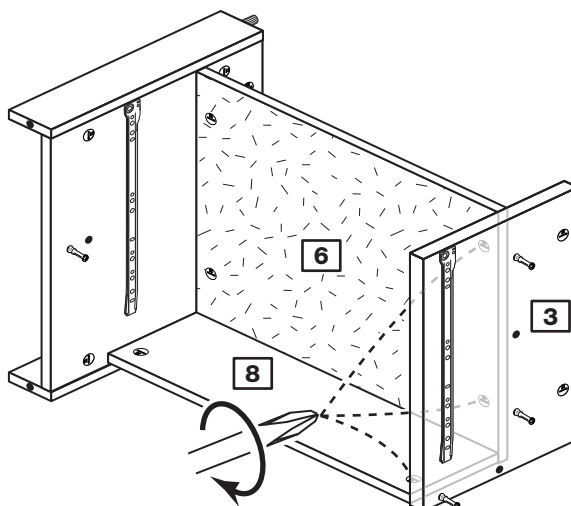


## Step 19

### Fit the divider

Push the divider **3** onto the horizontal **6** and back **8**.

Use a screwdriver to tighten the 3 large locking nuts **C** fitted to the horizontal **6** and back **8**.

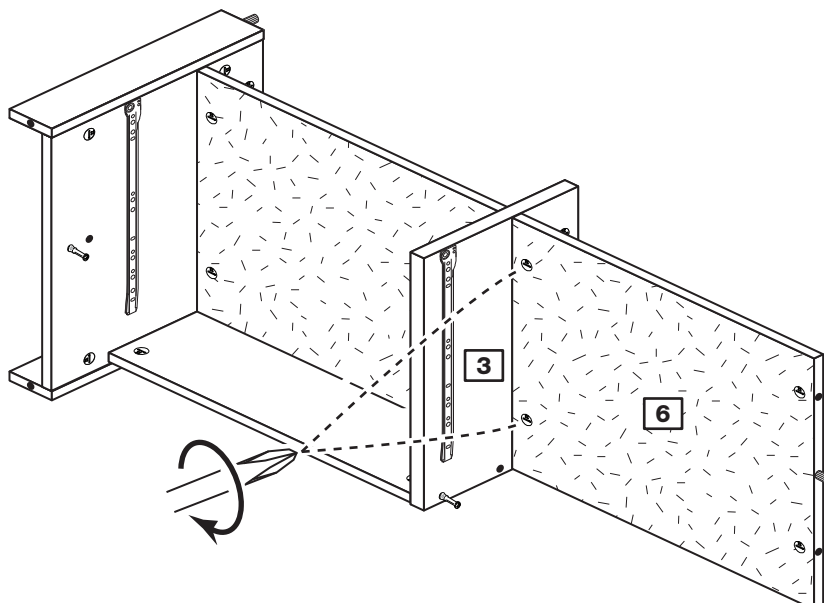


## Step 20

### Fit the other horizontal

Push the horizontal **6** onto the divider **3**.

Use a screwdriver to tighten the 2 large locking nuts **C** fitted to the horizontal **6**.



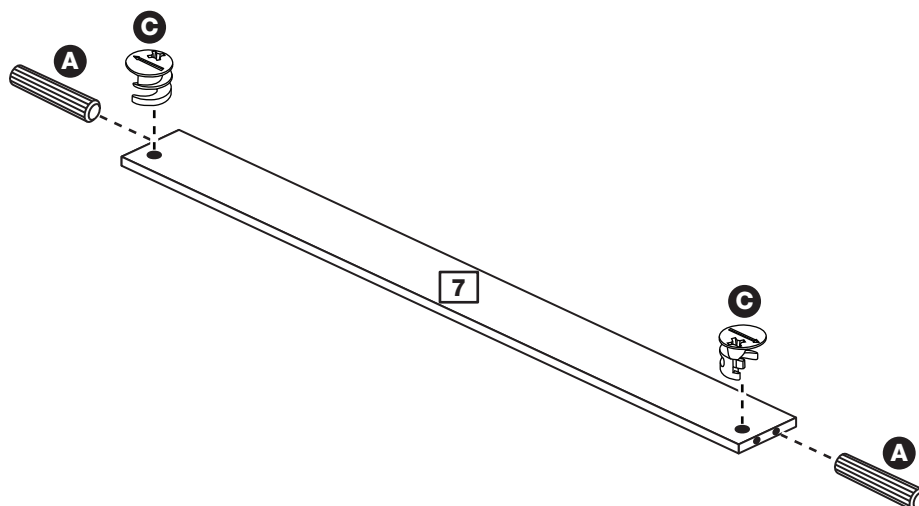
# Assembly Instructions

## Step 21

### Prepare the plinth

Insert 2 large locking nuts **C** into the plinth **7**.

Tap 2 wooden dowels **A** into the plinth **7**.

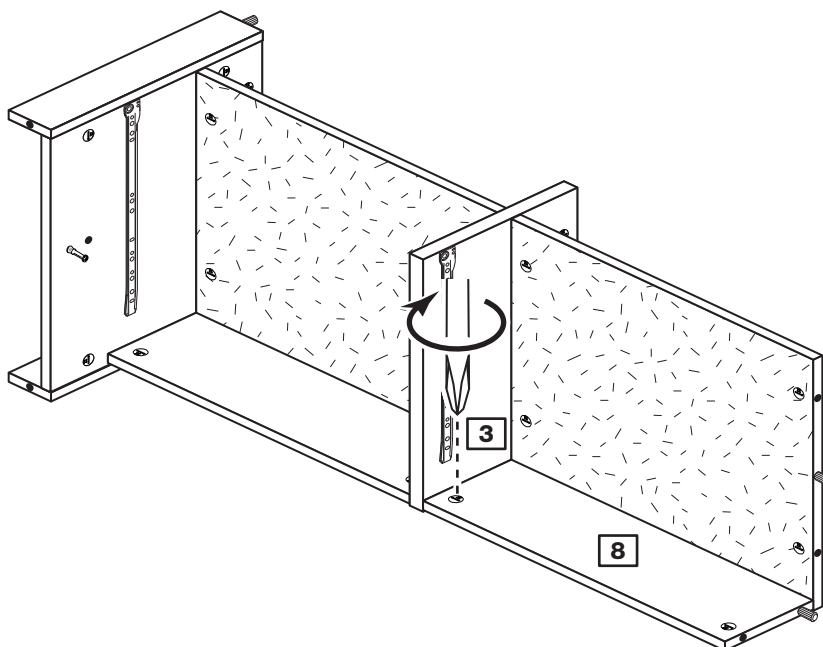


## Step 22

### Fit the back

Push the other back **8** onto the divider **3**.

Use a screwdriver to tighten the large locking nut **C** fitted to the back **8**.

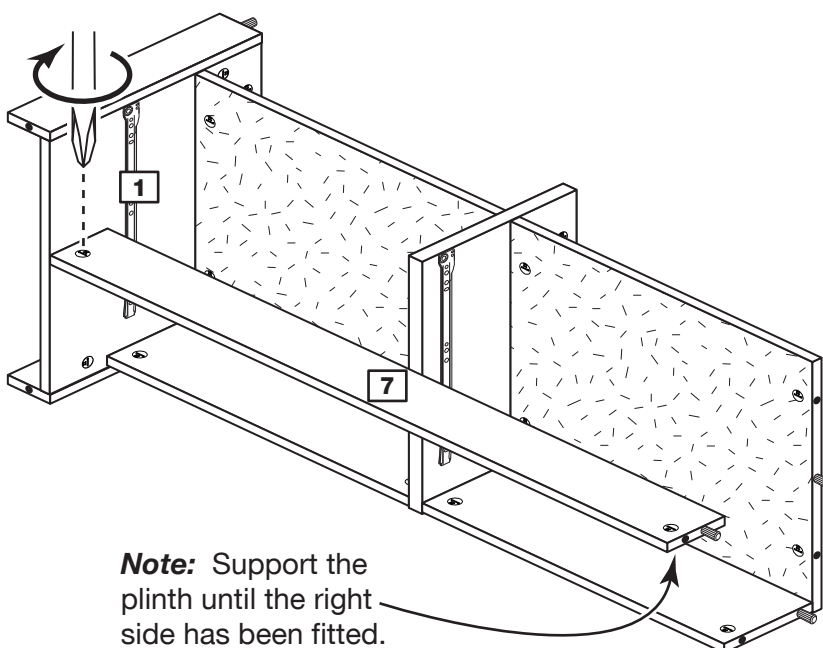


## Step 23

### Fit the plinth

Push the plinth **7** onto the left side **1**.

Use a screwdriver to tighten the large locking nut **C** fitted to the plinth **7**.



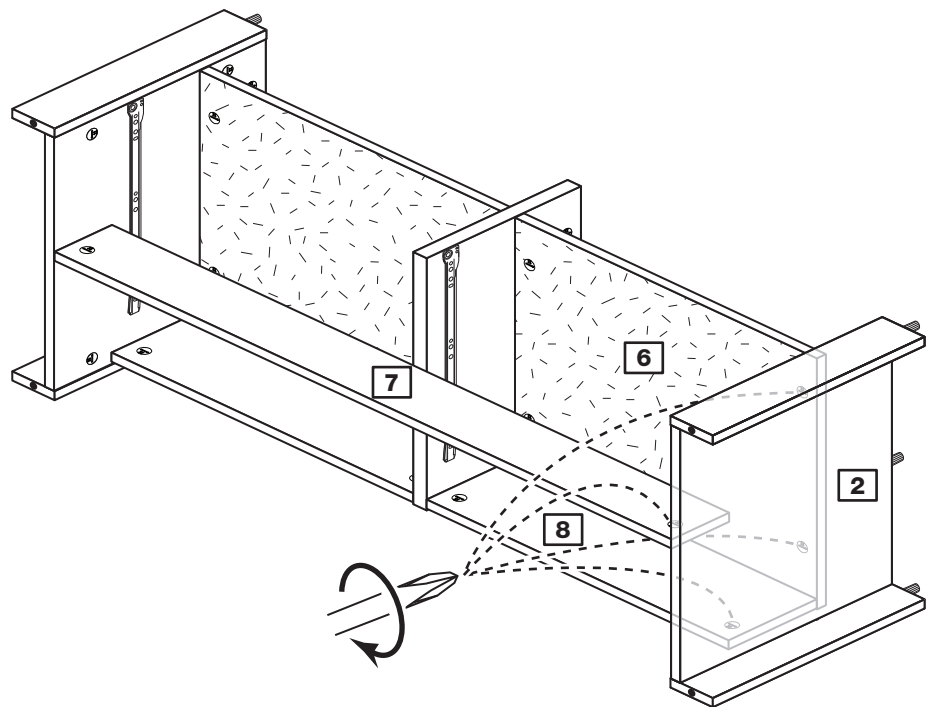
# Assembly Instructions

## Step 24

### Fit the right side

Push the right side **2** onto the assembly.

Use a screwdriver to tighten the 4 large locking nuts **C** fitted to the horizontal **6**, plinth **7** and back **8**.

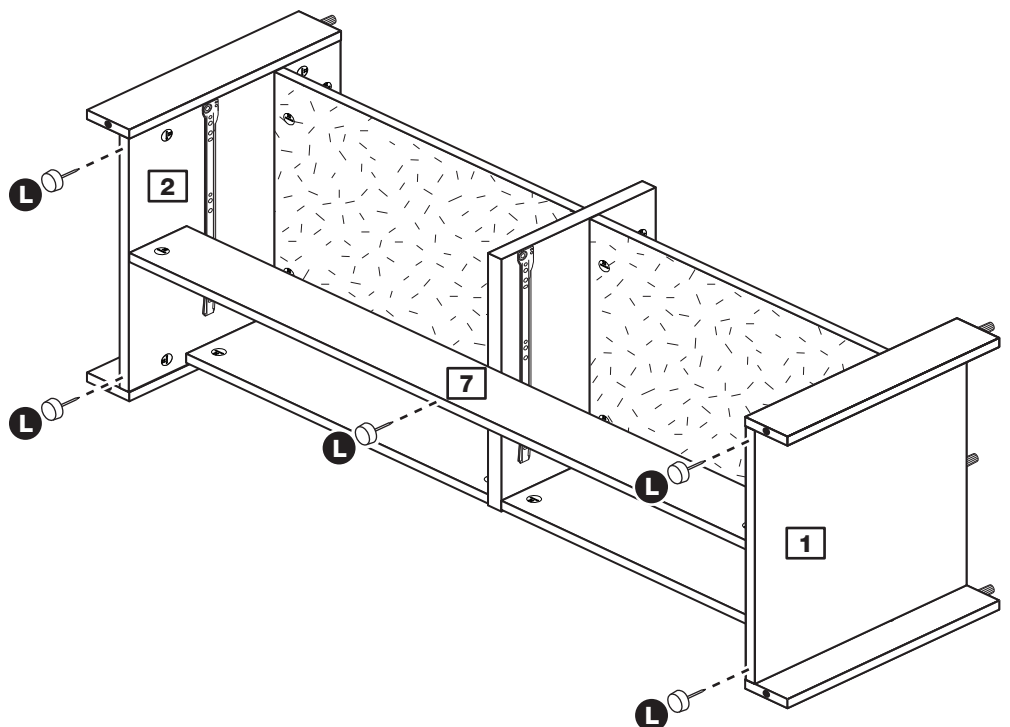


## Step 25

### Fit the 5 plastic nails

Tap 2 plastic nails **L** into the bottom edge of each of the sides **1** and **2**.

The other plastic nail **L** taps into the the bottom edge of the plinth **7**.



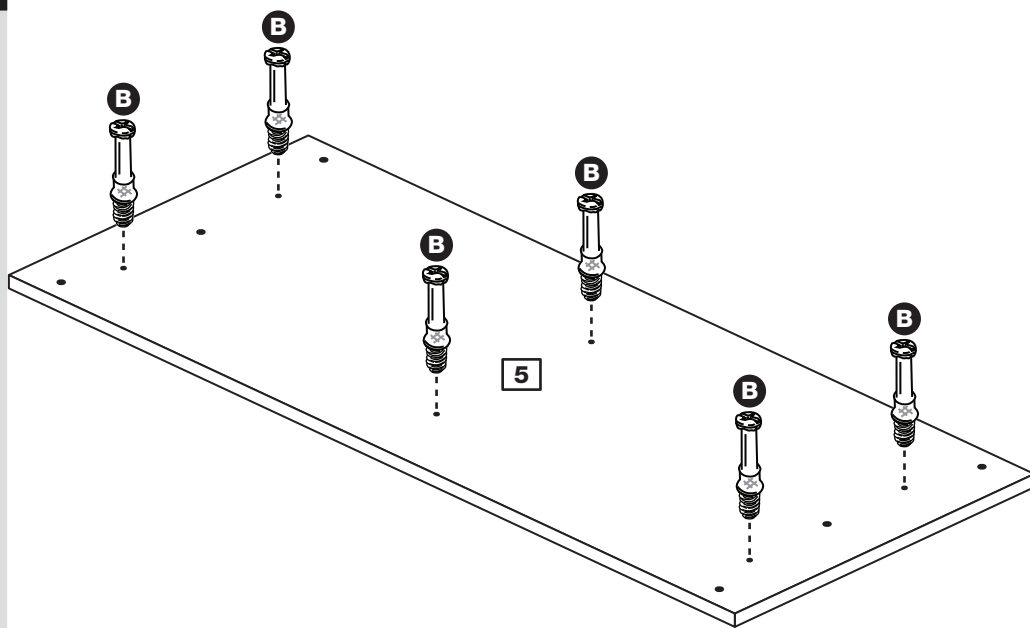


# Assembly Instructions

## Step 26

### Prepare the top

Screw 6 metal dowels **B** into the top **5**.



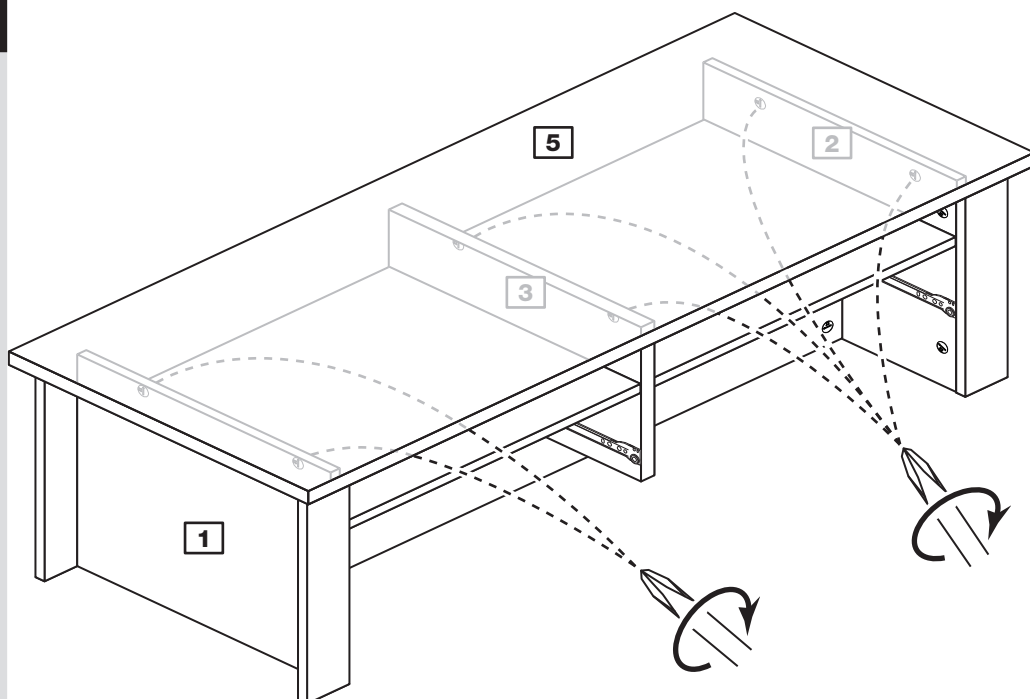
## Step 27

### Fit the top

**Carefully stand the unit up for this step.**

Push the top **5** down onto the assembly.

Use a screwdriver to tighten the 6 large locking nuts **C** fitted to the left side **1**, right side **2** and divider **3**.

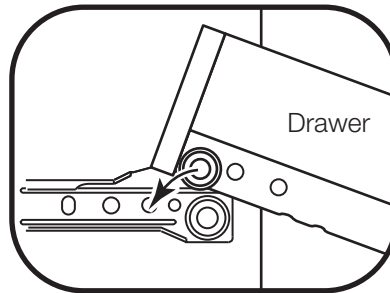


# Assembly Instructions

## Step 28

### Fit the drawers

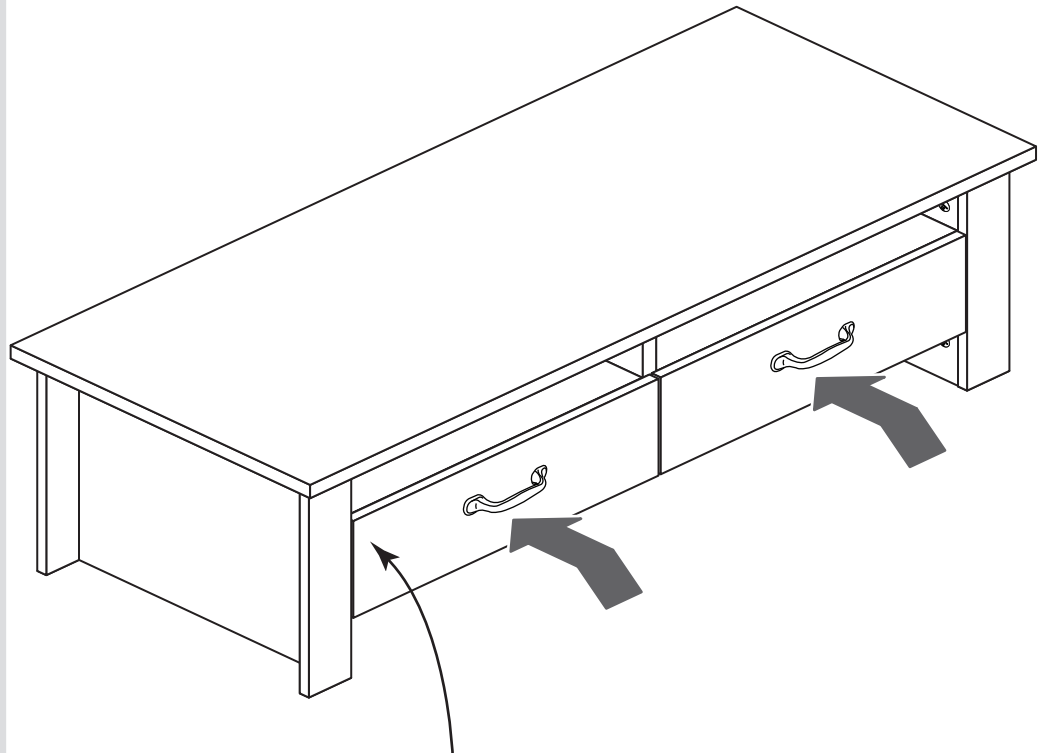
Slide the wheels of the runners fitted to the drawers, over the wheels of the runners fitted to the side panels and push the drawers into position.



### Assembly is complete



**Warning:** The unit is heavy. Lift with care.



**Note:** The left drawer front has a small identification hole. Please refer back to Step 1.

If you need help or have damaged or missing parts, call the **Customer Helpline: 03456 400800** and quote the reference numbers on the component pages.

Argos Ltd, 489-499 Avebury Boulevard, Central Milton Keynes, MK9 2NW



