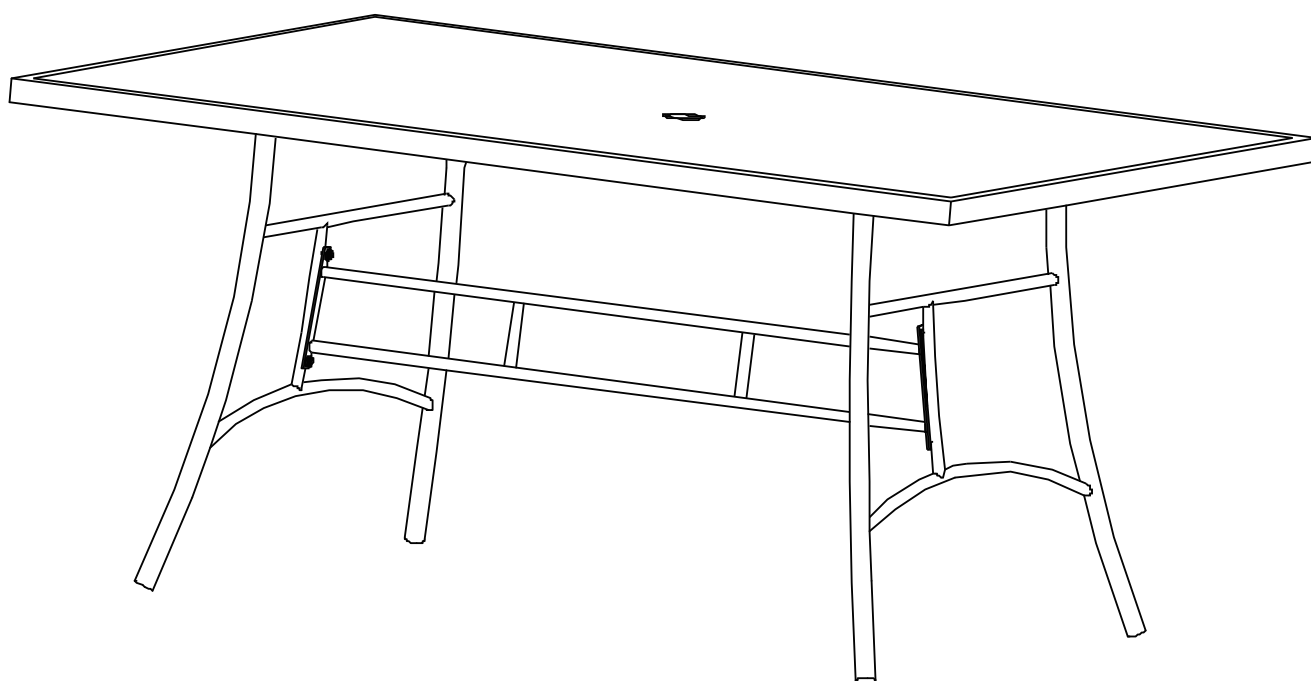


# Mali Rect 6 Seater Table

Assembly Instructions - Please keep for future reference

149123

292/2117



## Dimensions

Width - 100cm

Depth - 170cm

Height - 74cm

**Important** – Please read these instructions fully before starting assembly

If you need help or have damaged or missing parts, call the Customer Helpline: 03450 778 888



## Safety and Care Advice

**Important** Please read these instructions fully before starting assembly

- This product is manufactured from toughened safety glass. In the unlikely event that the glass fails it will break in to a large number of small fragments that may be spread over a wide area. This is a feature of toughened glass, designed to remove the risk of injury from glass breaking into large shards.
- If the glass is chipped or broken, stop using the product and consult the manufacturer or supplier.
- Check you have all the components and tools listed on page 2.
- Remove all fittings from the plastic bags and separate them into their groups.
- Keep children and animals away from the work area, small parts could choke if swallowed.
- Make sure you have enough space to layout the parts before starting.
- Do not stand or put weight on the parts during assembly, this could cause damage.
- Assemble on a soft level surface to avoid damaging the unit or your floor.
- Dispose of all packing carefully and responsibly.
- Do not sit or stand upon horizontal glass surface.
- Do not place very hot or very cold items on the glass unless adequately thick tablemats are used to prevent such items from coming into contact with the glass.
- **Warning:** The unit weights approximately 32.5 kgs.

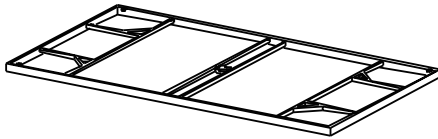
**Please lift with care.**

### Care and maintenance

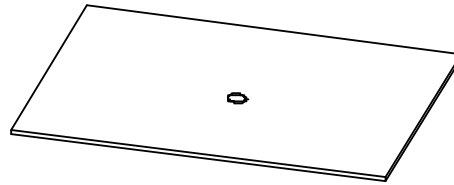
- Wash frame parts with mild soap and water, rinse thoroughly, and dry frame completely. Do not use bleach, acid, or other solvents on the frame parts.
- Wash glass with mild soap and water, rinse thoroughly, and dry glass completely.
- When moving the table, remove the umbrella. Do not drag.
- We recommend the use of furniture covers when not in use.
- Do not use the glass as chopping surface. Do not strike the glass with hard or pointed items.
- In order to prolong the life and beauty of your table, we recommend it be stored in a dry and protected area during off season periods.
- Do not use washing powders or any abrasive substances which may scratch the surface.

# Components - Parts

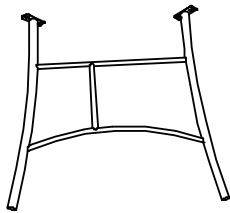
Please check you have all the parts listed below



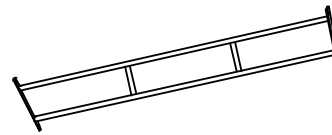
**1** Table top x 1



**2** Glass x 1



**3** Table leg with panel x 2








**4** Panel x1

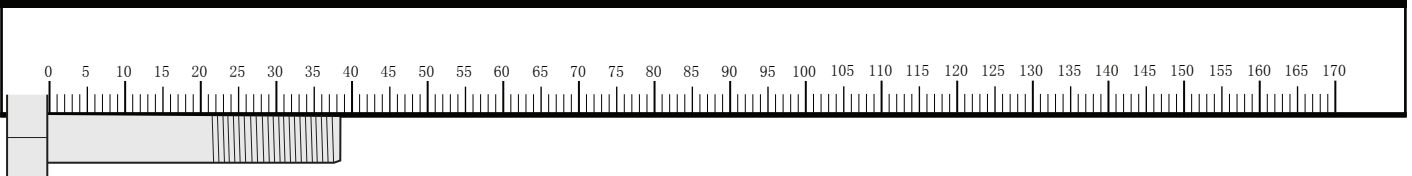
# Components - Fittings

Please check you have all the fittings listed below

**Note:** The quantities below are the correct amount to complete the assembly.

<p><b>A</b> </p> <p>Screw x 12</p>	<p><b>B</b> </p> <p>Metal washer x 12</p>	<p><b>C</b>  (Prefixed on the table rim)</p> <p>Plastic support x 18</p>
<p><b>D</b> </p> <p>Allen key x 1</p>	<p><b>E</b>  (Prefixed on the table top)</p> <p>Plastic cap x 1</p>	

**Ruler** - Use this ruler to help correctly identify the screws



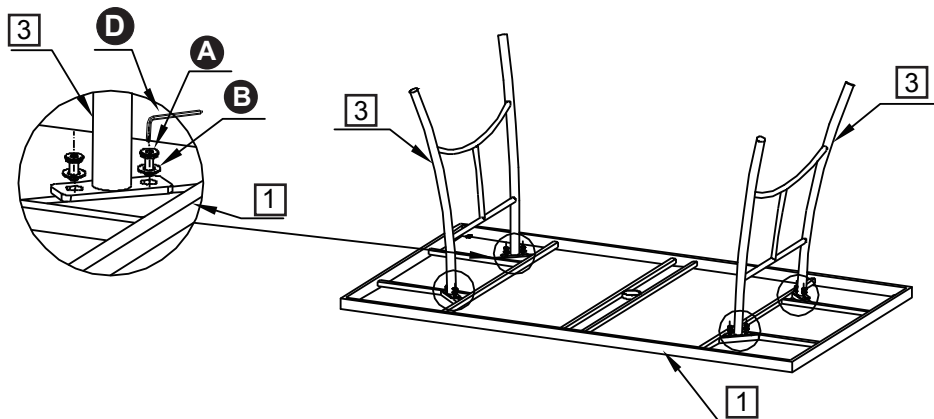
# Assembly Instructions

## Step 1

### Assembly frame

Suggest to complete this product assembly by two person.

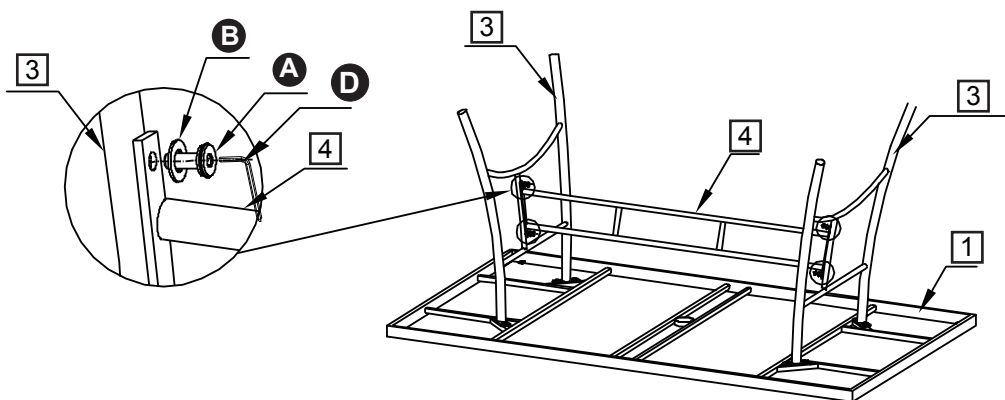
Use screws **A** and metal washer **B** to fix 2 table legs with panel **3** to table top **1**.



**Important:**  
Do not fully tighten all screws until assembly is complete.

## Step 2

Use screws **A** and metal washer **B** to fix the panel **4** to table legs with panel **3**.

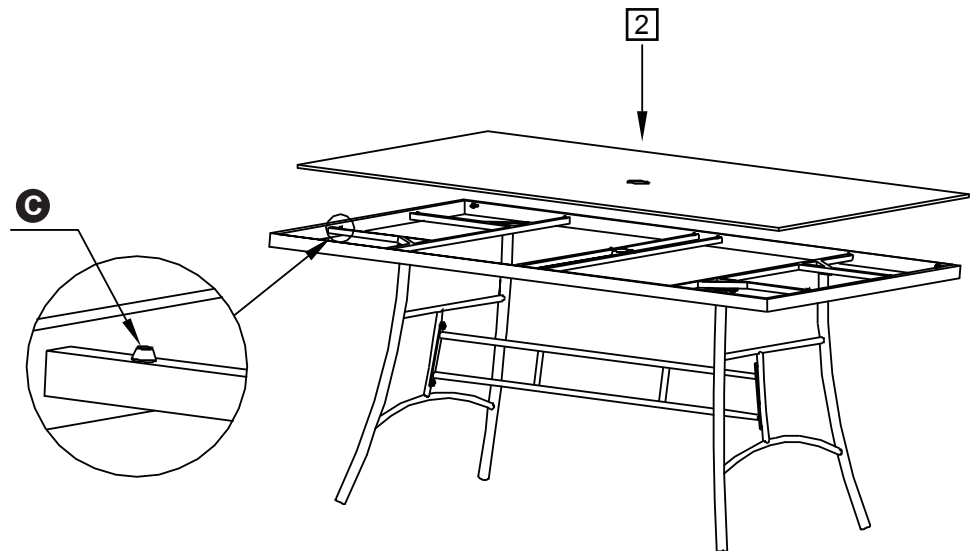


**Important:**  
Do not fully tighten all screws until assembly is complete.

# Assembly Instructions

## Step 3

Turn the top **1** to its up right position and put on the glass **2**.



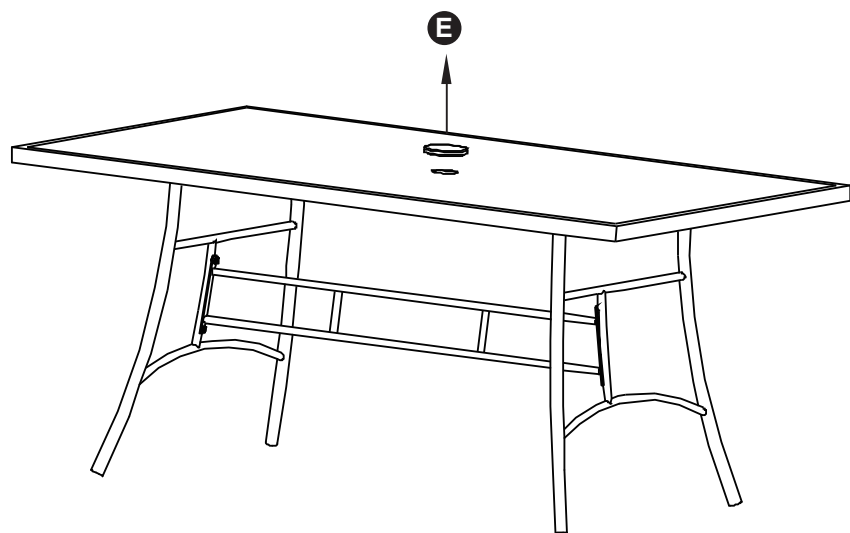
**Important:**  
Make sure the plastic support **C** not detached from table rim.

## Step 4

Please remove the cap if you want to insert parasol.

**Warning:**  
The parasol must be placed into the parasol's base if the table set need to match a parasol.

**Assembly is complete.**



If you need help or have damaged or missing parts, call the **Customer Helpline: 03450 778 888**  
Homebase Limited  
489-499 Avebury Boulevard Saxon Gate West Central Milton Keynes Bucks, MK9 2NW