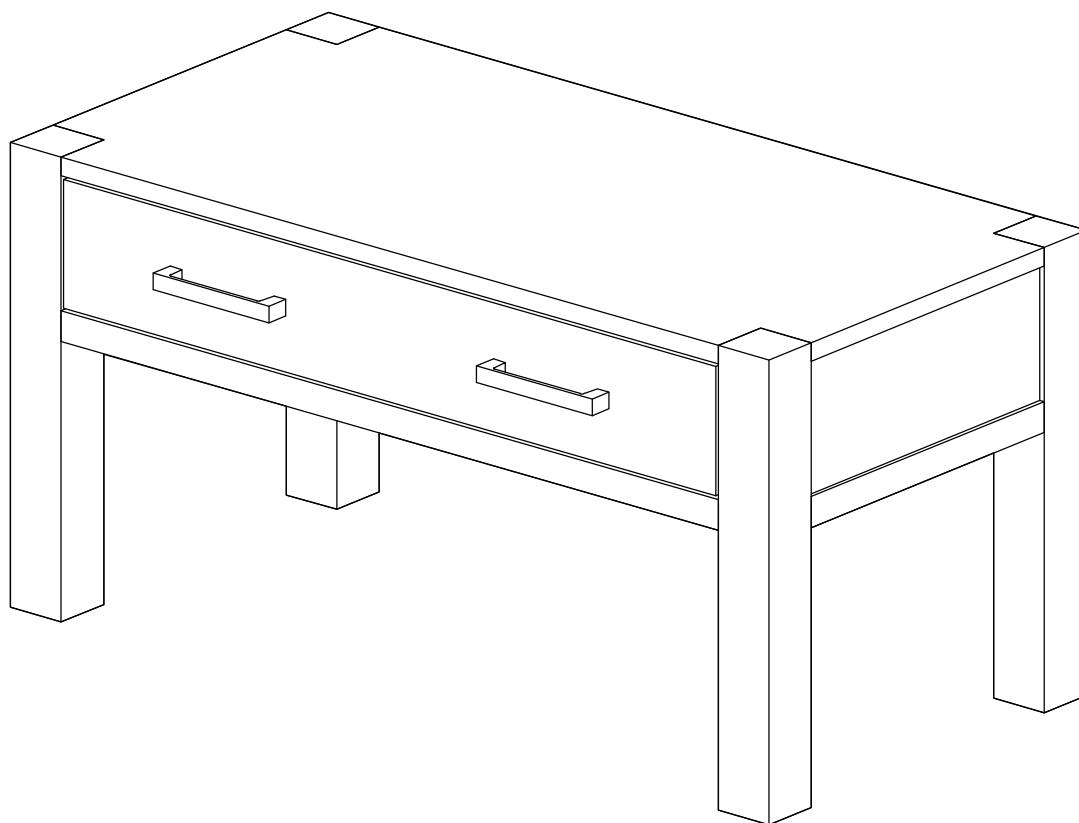


# Alston Coffee Table

Assembly Instructions - Please keep for future reference

3091968



## Dimensions

Width - 90 cm  
Depth - 45 cm  
Height - 45 cm

**Important - Please read these instructions fully before starting assembly**

If you need help or have damaged or missing parts, call the **Customer Helpline: 0345 640 0800**



## Safety and Care Advice

**Important** - Please read these instructions fully before starting assembly

◦ Check you have all the components and tools listed on pages 2 and 3.

◦ Remove all fittings from the plastic bags and separate them into their groups.

◦ Keep children and animals away from the work area, small parts could choke if swallowed.

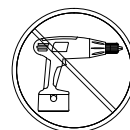
◦ Make sure you have enough space to layout the parts before starting.

◦ Do not stand on the product, this could cause damage.

◦ Assemble the item as close to its final position (in the same room) as possible.

◦ Assemble on a soft level surface to avoid damaging the unit or your floor.

◦ Parts of the assembly will be easier with 2 people.



◦ We do not recommend the use of power drill/drivers **for inserting screws**, as this could damage the unit. Only use hand screwdrivers.

◦ Dispose of all packaging carefully and responsibly.

### Solid Wood / Real Wood Veneers

- This product has been finished using natural materials. As a living material, you may notice some variation in the grain and colour shade between the different components.
- Unlike a synthetic or man-made material which has a uniform finish, a feature of natural wood is its variation in grain and colour. We wish to reassure you that this is quite normal and is not the result of any manufacturing fault.
- Where sheets of wood are joined together, a line may be detected. Again, this is normal and is not an imperfection.
- Nature wood and veneers often have random pale markings in the grain, there are medullary rays which are a natural unique feature of the wood.

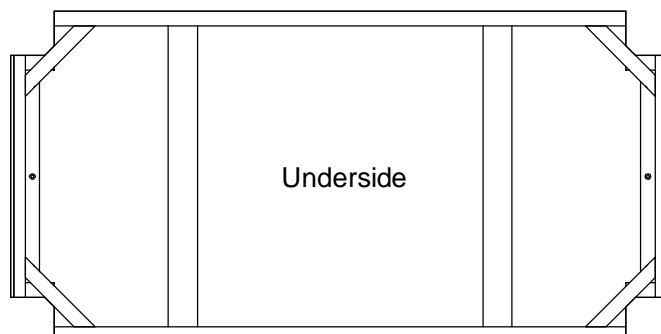
### Care and maintenance

- Only clean using a damp cloth and mild detergent, do not use bleach or abrasive cleaners.
- Always use a non-silicone based furniture polish. Silicone in furniture polishes can break down the lacquer finish.
- Use non-silicone bees wax to maintain the shine. Do not use furniture polish.
- Do not put hot dishes directly on the surfaces of the item.
- From time to time check that there are no loose screws on this unit.
- Any spills should be removed immediately with a soft clean damp cloth and dried immediately.
- Avoid keeping furniture in direct sunlight or close to any heat sources as this can cause cracking, discoloration or warping.
- This product should not be discarded with household waste. Take to your local authority waste disposal centre.
- Ensure the product is protected with mats and coasters when items are placed on the surfaces, to prevent scratching or damage.
- Never drag pieces of furniture across the floor as this will cause damage to the joints.

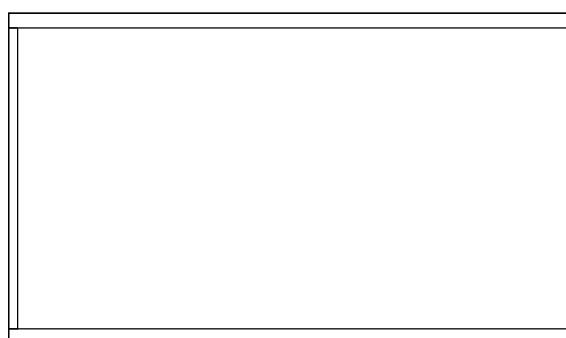
# Components - Parts

If you have damaged or missing components, call the **Customer Helpline: 0345 640 0800**

Please check you have all the parts listed below



**1** Top (90 x 45 cm)



**2** Drawer (77.4 x 45 cm)



**3** Leg x 2 (45 x 6 cm)







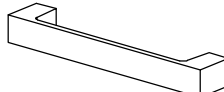

**4** Leg x 2 (45 x 6 cm)

# Components - Fittings

If you have damaged or missing components, call the **Customer Helpline: 0345 640 0800**

Please check you have all the fittings listed below

**Note:** The quantities below are the correct amount to complete the assembly. In some cases more fittings may be supplied than are required.

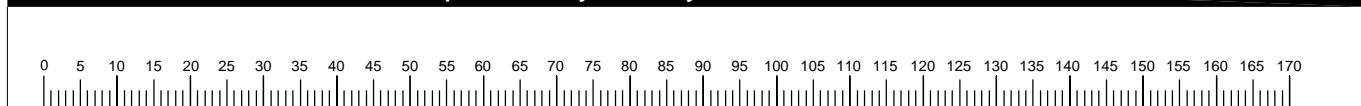
<b>A</b>  M6x35 bolt x 8	<b>B</b>  Spring washer x 8	<b>C</b>  Plain washer x 8
<b>D</b>  Allen key x 1	<b>E</b>  Handle x 4	<b>F</b>  M4x25 Screw x 8

## Tools required



Ruler/tape  
measure

Ruler - Use this ruler to help correctly identify the bolts



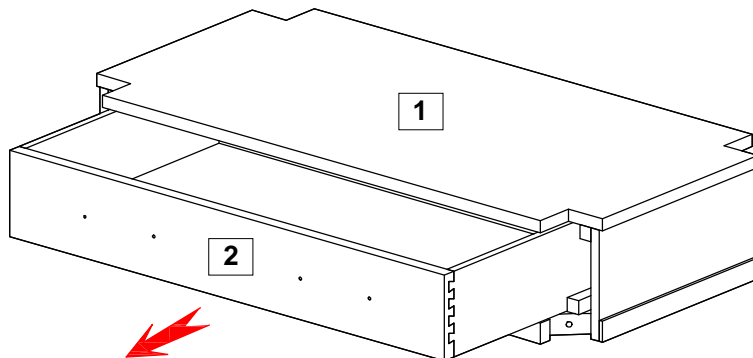
# Assembly Instructions

## Step 1

### Remove drawer

Place top **1** onto a clean flat surface.

Carefully pull out the drawer **2** and remove it from top **1**.



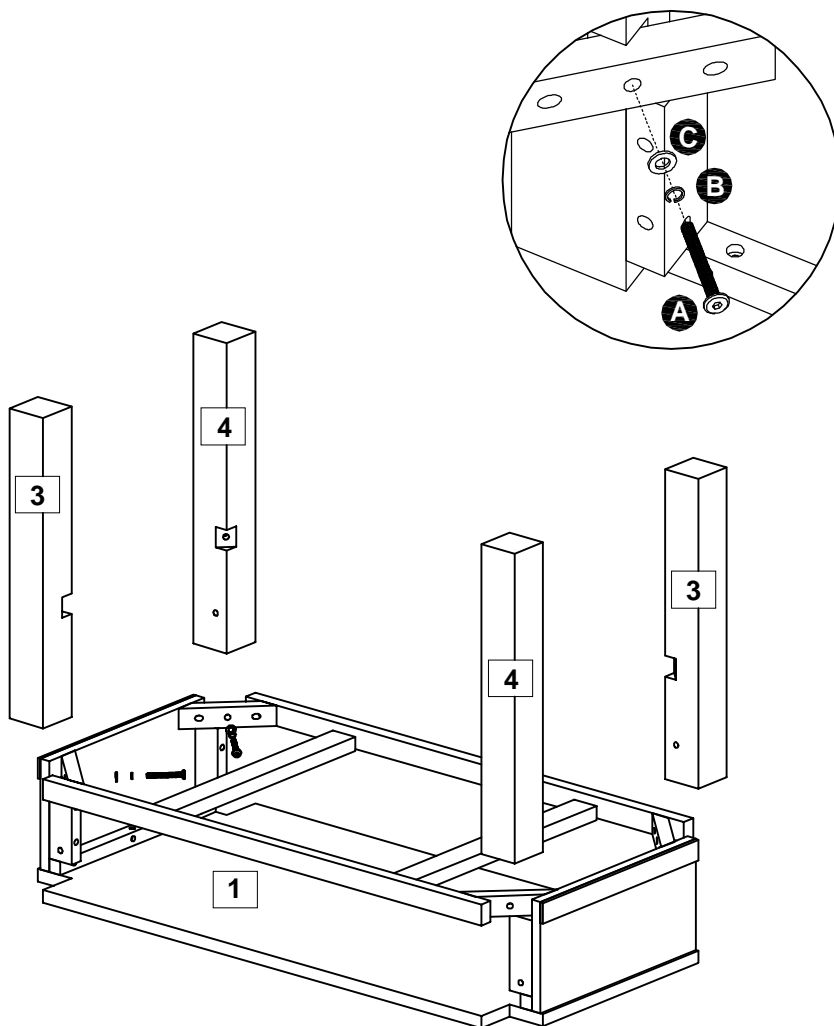
## Step 2

### Assembling legs

Carefully turn top **1** over onto its back as shown.

Assemble legs **3** and **4** to top **1** using fittings **A** and **B** and **C**.

Note: Ensure legs **3** and **4** are correctly located at shown.

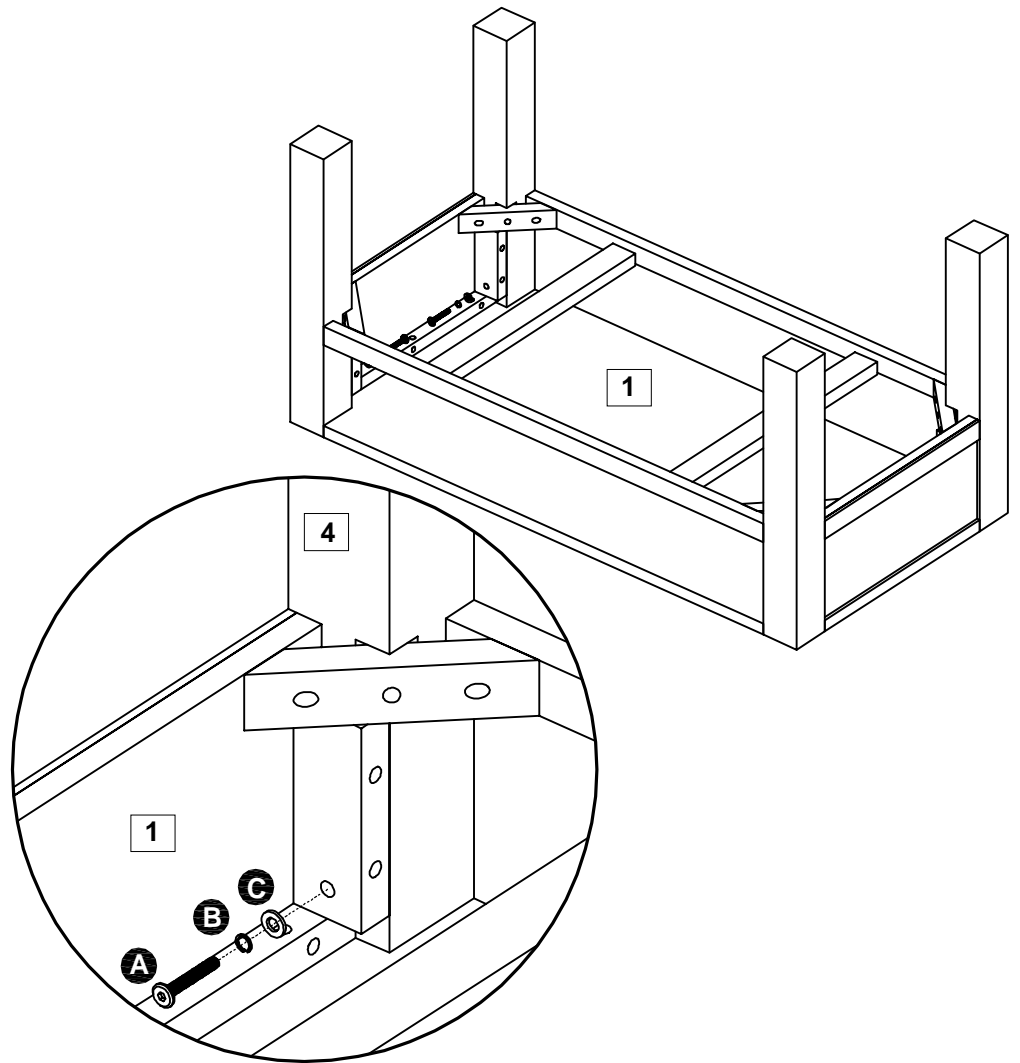


# Assembly Instructions

## Step 3

### Securing legs

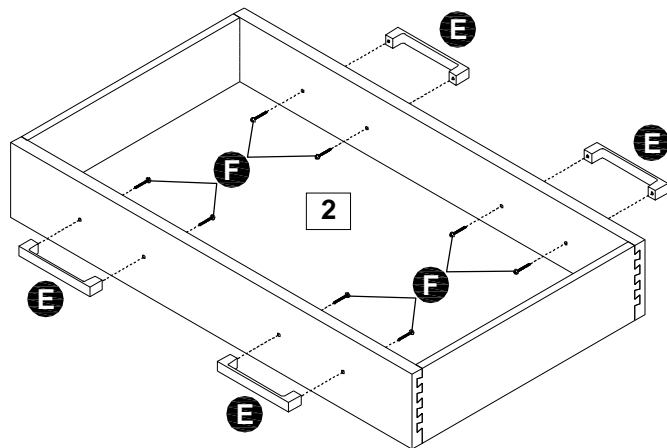
Further secure legs **3** and **4** to top **1** using fittings **A**, **B** and **C** through the aprons as shown.



## Step 4

### Assembling handles

Attach handles **E** to both sides of drawer **2** using screws **F**.



# Assembly Instructions

## Step 5

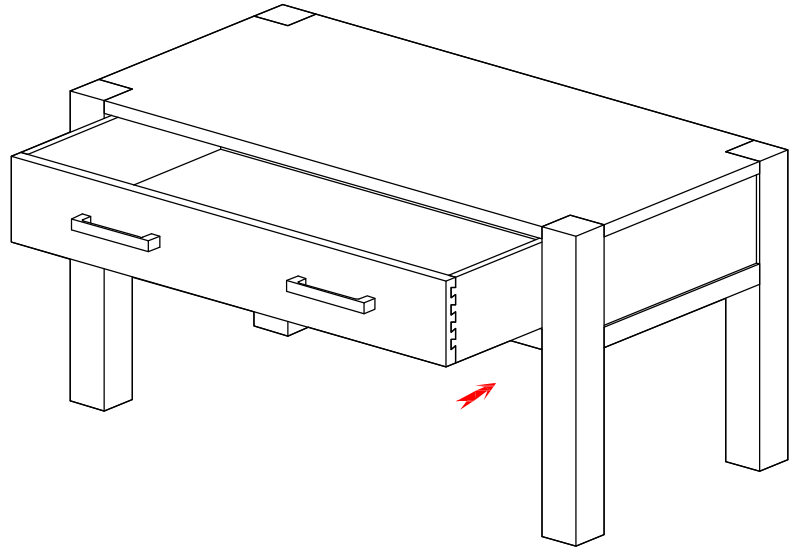
### Locating drawer

With help, stand the table upright.



**Warning:**  
The table is very heavy. Lift with care.

Carefully slide the drawer into the unit.



**Assembly is complete**

If you need help or have damaged or missing parts, call the **Customer Helpline: 0345 640 0800**  
**Home Retail Group, 489-499 Avebury Boulevard, Saxon Gate West. Central Milton Keynes MK9 2NW**