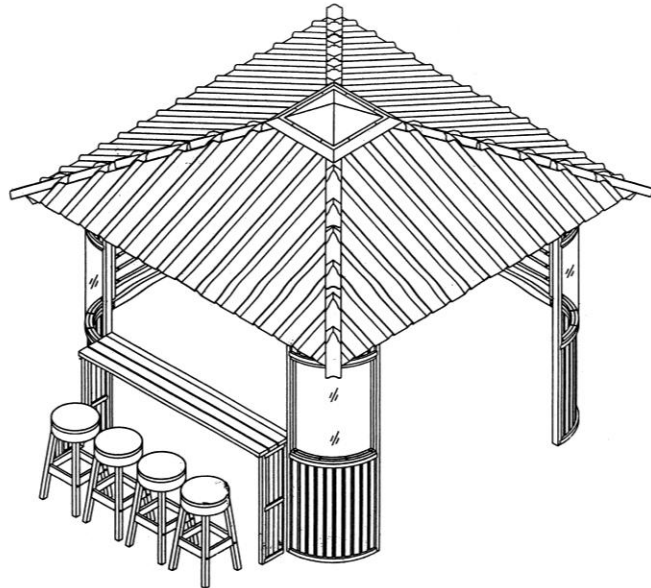




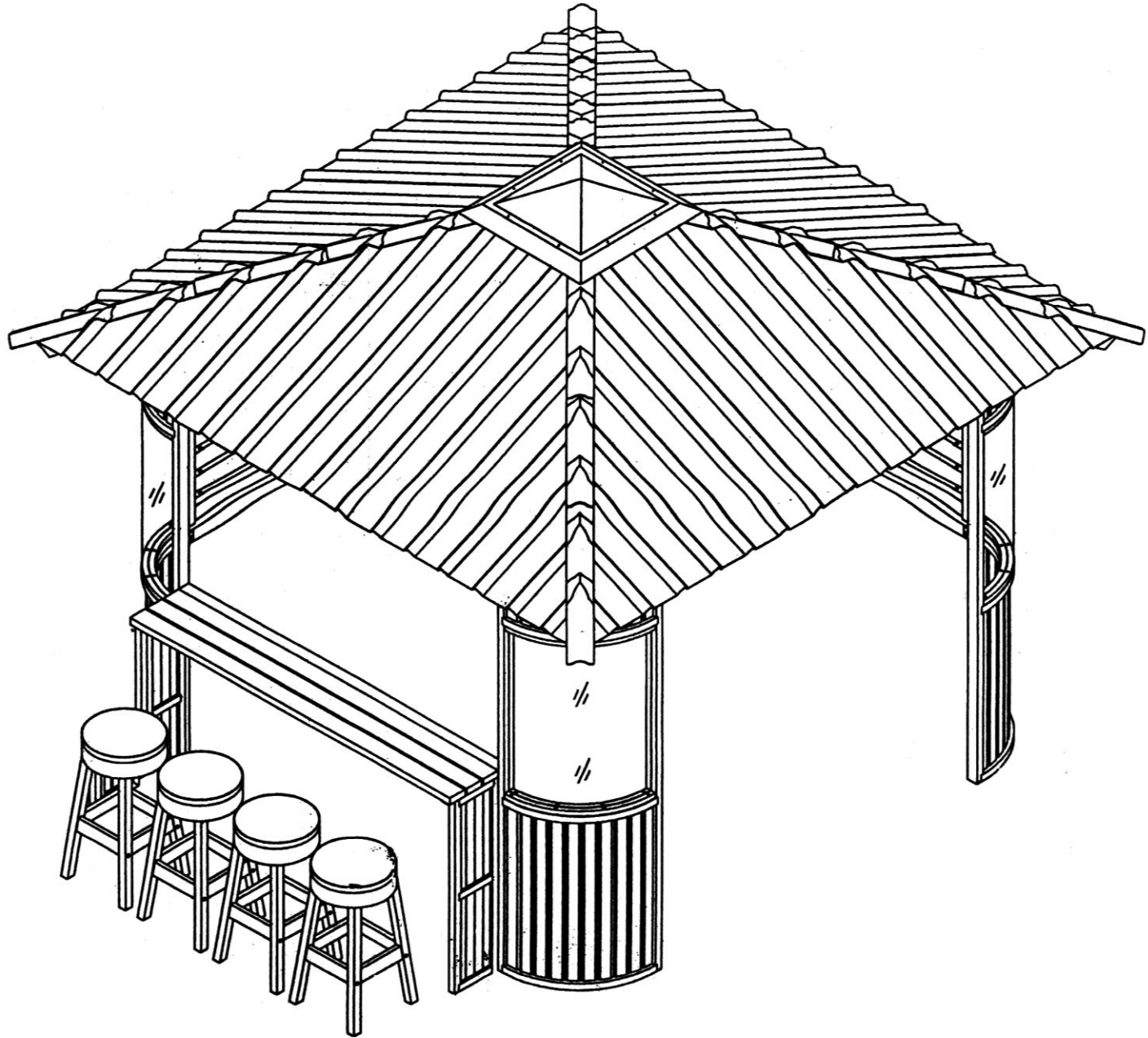
*A revitalising experience!
Een revitaliserende ervaring!
Une experience revitalisante!*


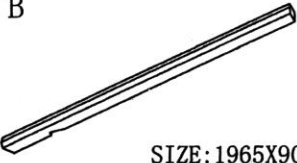
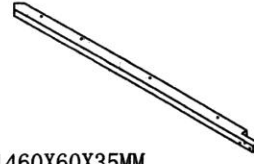
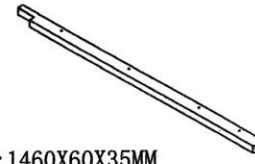
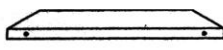
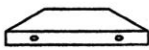


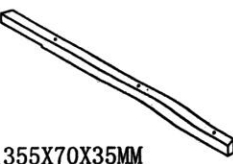
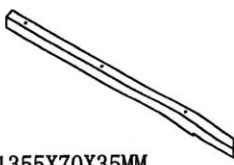
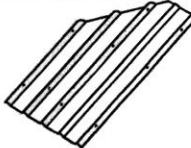
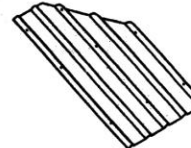
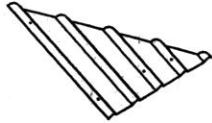
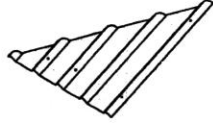


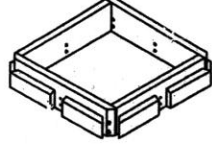
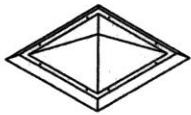


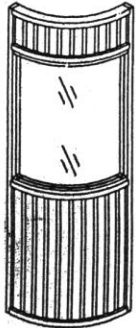
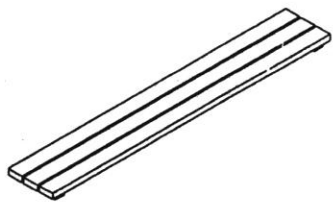
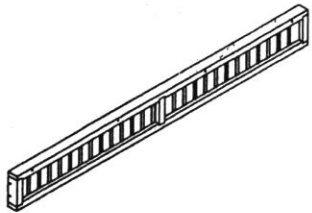
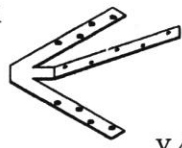

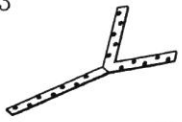
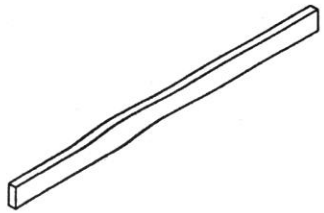

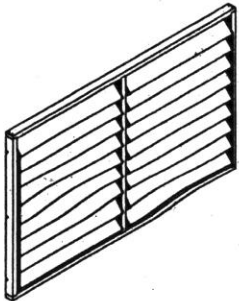



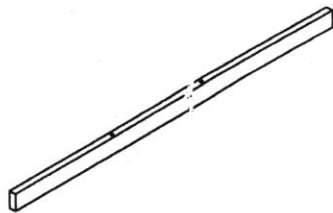






Frazer Wrap Gazebo With Bar

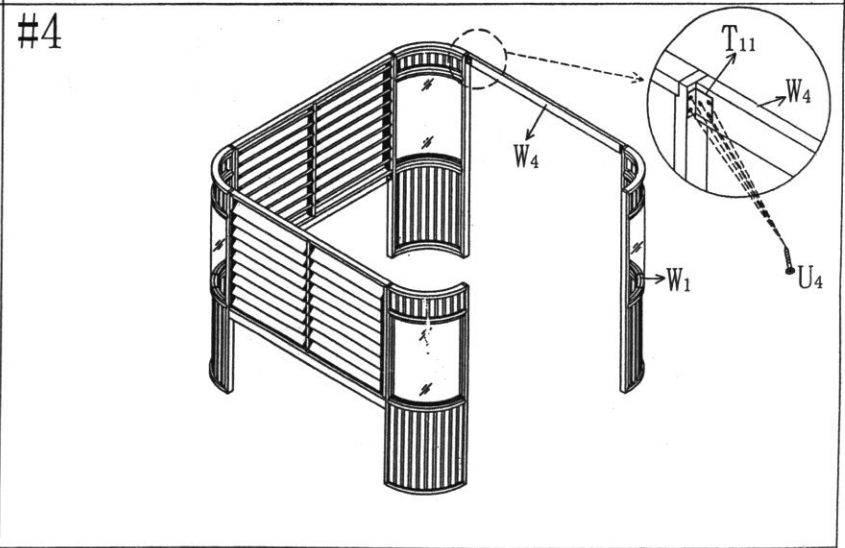
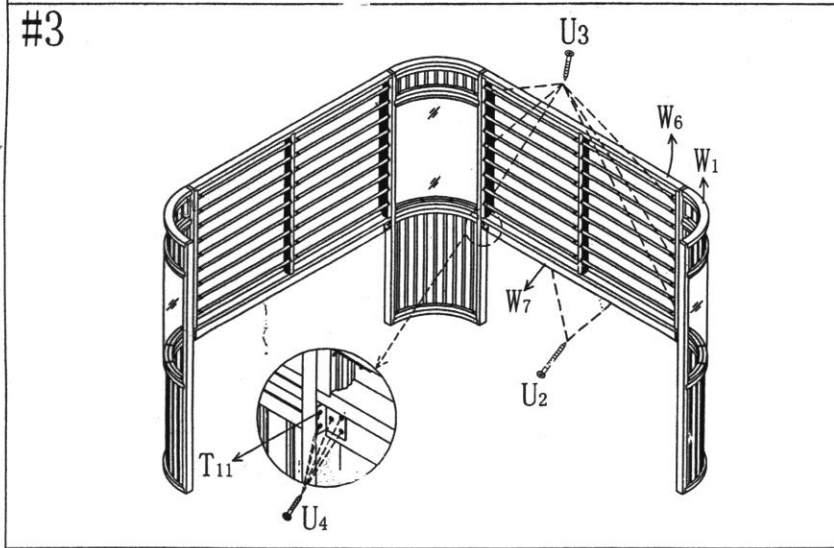
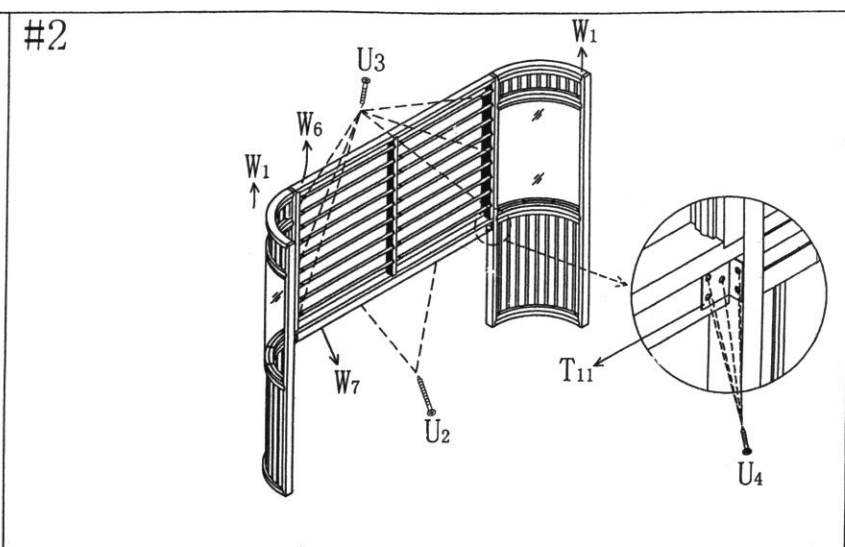
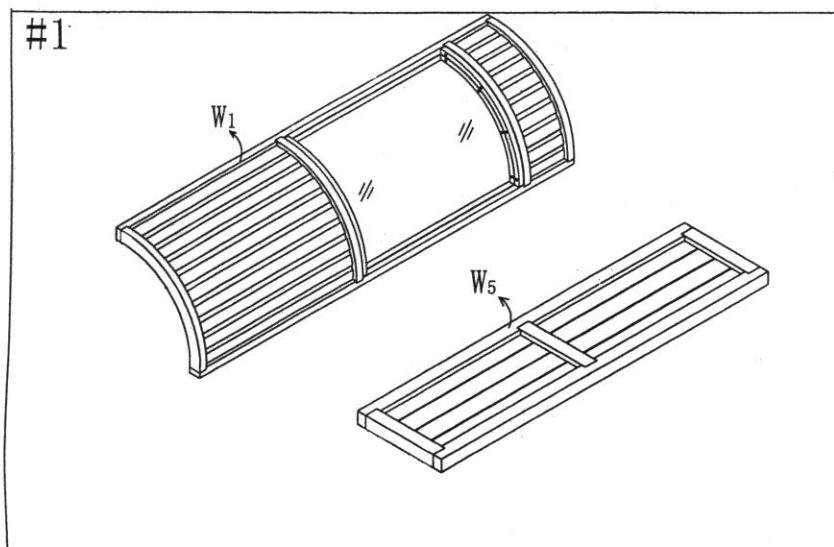
2010 Installation Instructions



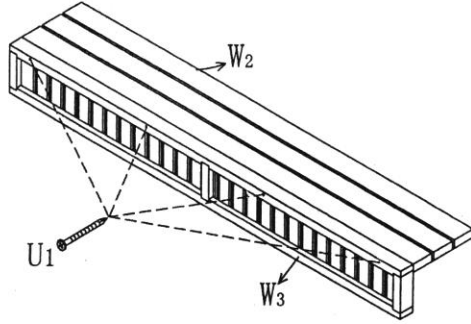


<p>A</p>  <p>SIZE: 1450X80X70MM X4</p>	<p>B</p>  <p>SIZE: 1965X90X70MM X4</p>	<p>C1</p>  <p>SIZE: 1460X60X35MM X4</p>	<p>C2</p>  <p>SIZE: 1460X60X35MM X4</p>
<p>D</p>  <p>SIZE: 590X90X35MM X4</p>	<p>D1</p>  <p>SIZE: 180X90X35MM X4</p>	<p>E</p>  <p>SIZE: 840X60X35MM X4</p>	<p>F</p>  <p>SIZE: 840X60X35MM X4</p>
<p>I</p>  <p>SIZE: 1355X70X35MM X4</p>	<p>J</p>  <p>SIZE: 1355X70X35MM X4</p>	<p>K</p>  <p>SIZE: 1500X980X30MM X4</p>	<p>L</p>  <p>SIZE: 1500X980X30MM X4</p>
<p>M</p>  <p>SIZE: 790X750X30MM X4</p>	<p>N</p>  <p>SIZE: 790X750X30MM X4</p>	<p>O</p>  <p>SIZE: 720X115X50MM X8</p>	<p>P</p>  <p>SIZE: 835X115X50MM X4</p>
<p>Q</p>  <p>SIZE: 650X650X140MM X1</p>	<p>R</p>  <p>SIZE: 720X720X190MM X1</p>		

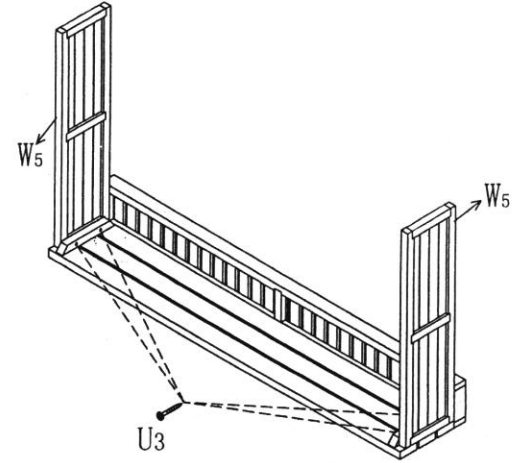
<p>W1</p>  <p>SIZE: 693X60X2080MM</p> <p>X4</p>	<p>W2</p>  <p>SIZE: 1900X290X70MM</p> <p>X1</p>	<p>W3</p>  <p>SIZE: 1900X200X60MM</p> <p>X1</p>	<p>T1</p>  <p>X4</p> <p>T2</p>  <p>X4</p> <p>T3</p>  <p>X4</p>			
<p>W4</p>  <p>SIZE: 1900X90X35MM</p> <p>X2</p>	<p>W5</p>  <p>SIZE: 260X35X1000MM</p> <p>X2</p>	<p>W6</p>  <p>SIZE: 1900X60X1200MM</p> <p>X2</p>	<p>T11</p>  <p>X8</p>	<p>T12</p>  <p>X4</p>	<p>U1</p>  <p>10-Ø5X90MM</p>	
<p>W7</p>  <p>SIZE: 1900X90X35MM</p> <p>X2</p>	<p>U2</p>  <p>38-Ø5X70MM</p>	<p>U3</p>  <p>96-Ø5X50MM</p>	<p>U4</p>  <p>184-Ø5X35MM</p>	<p>U5</p>  <p>84-Ø5X50MM</p>	<p>U6</p>  <p>8-Ø4X30MM</p>	<p>U11</p>  <p>8-Ø3.5X16MM</p>



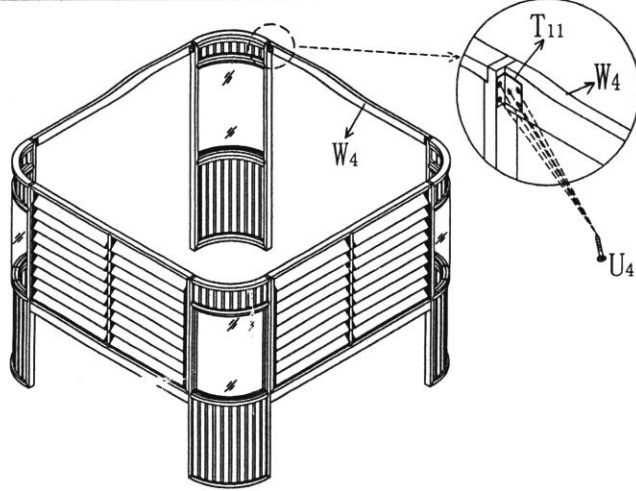
#5



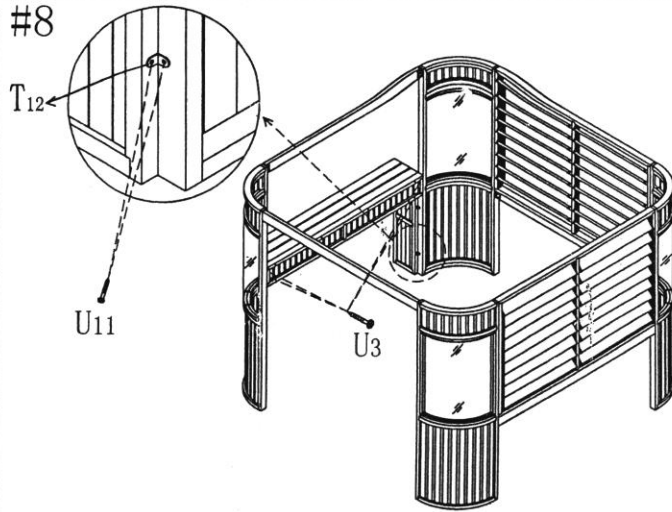
#6



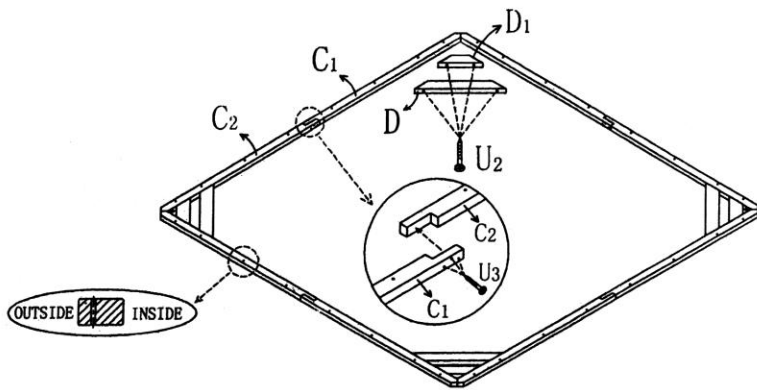
#7



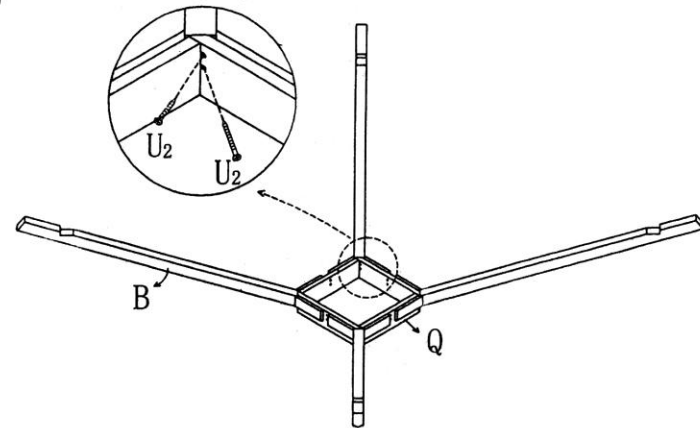
#8



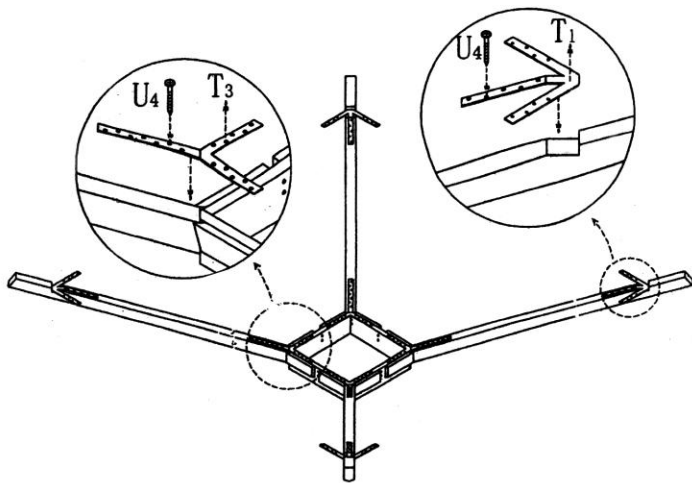
#9



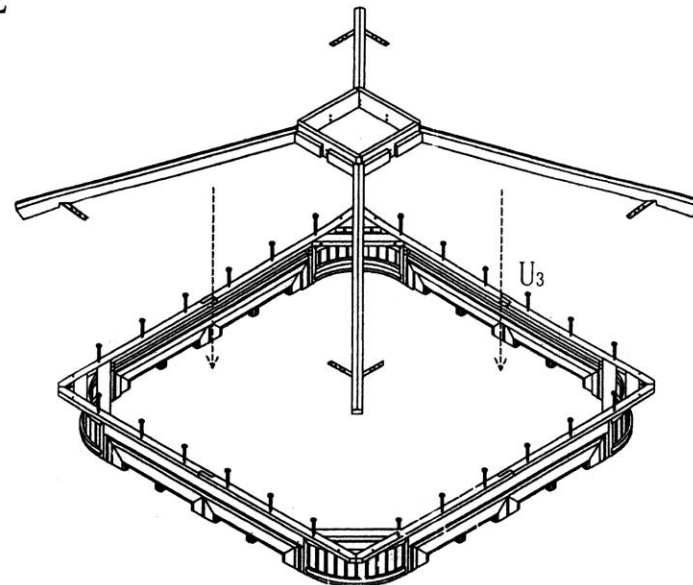
#10



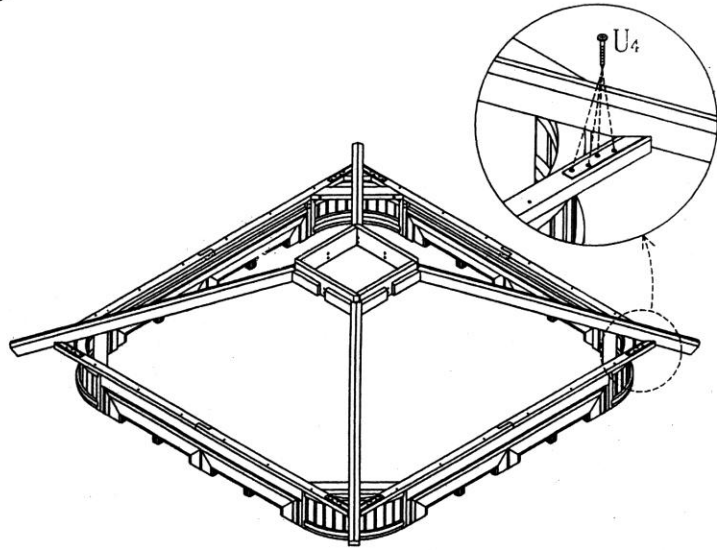
#11



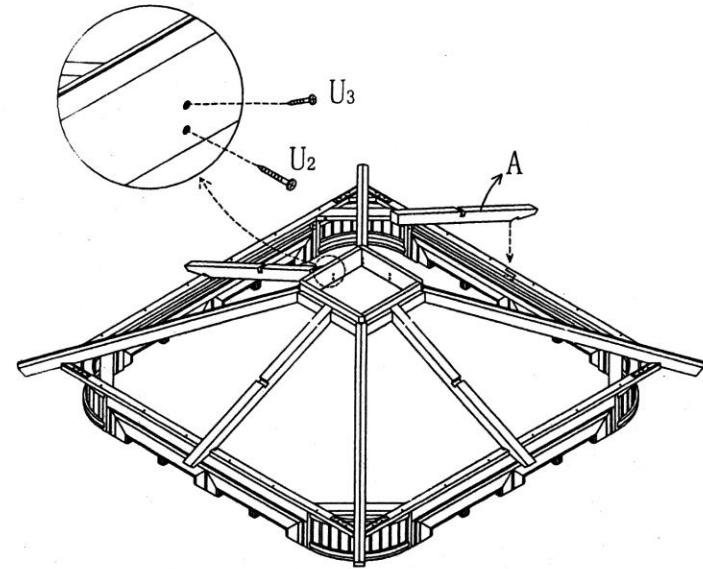
#12



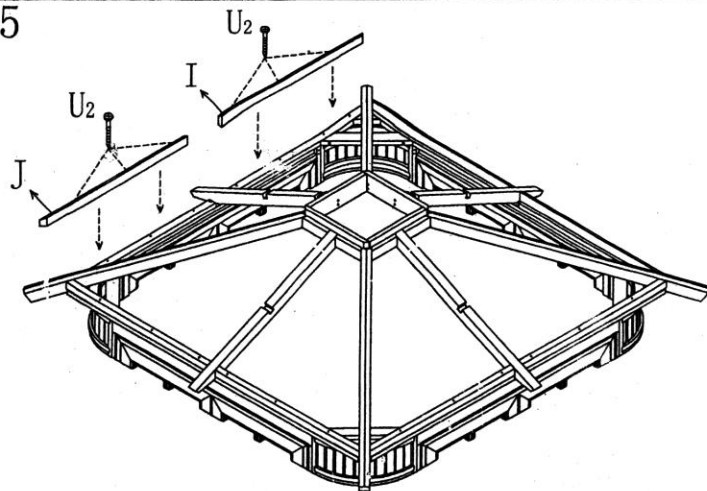
#13



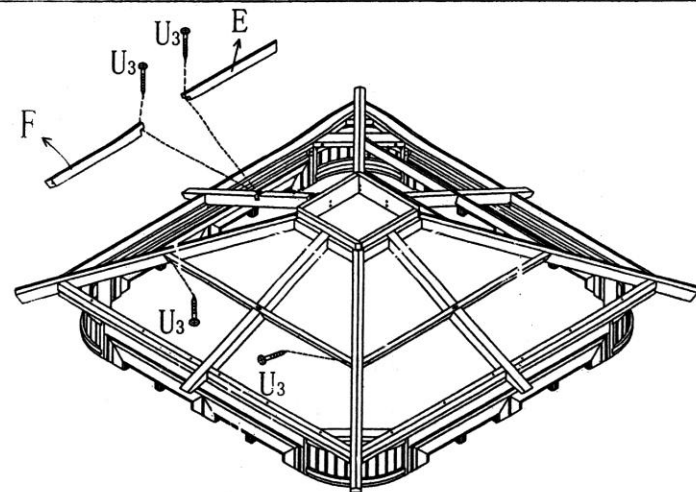
#14



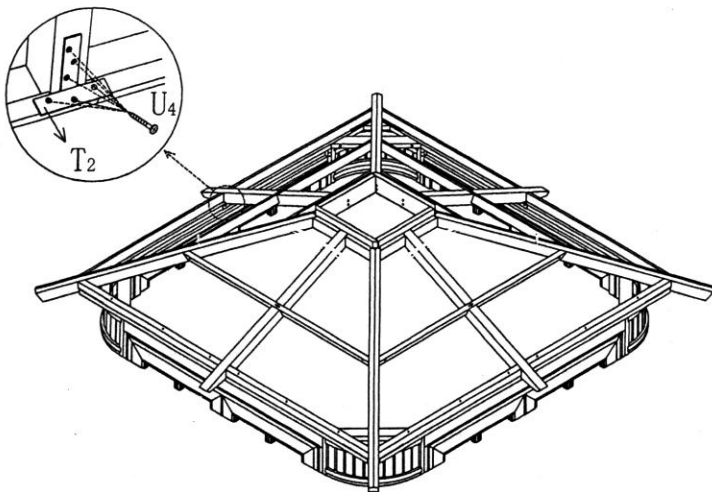
#15



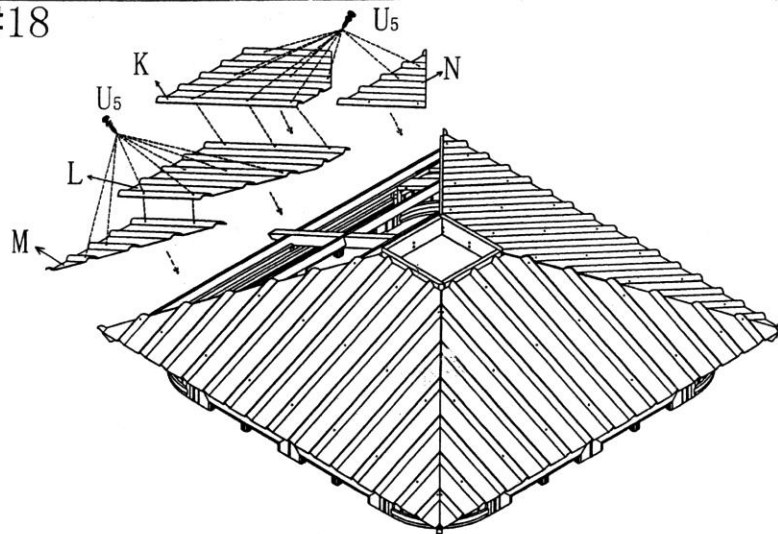
#16



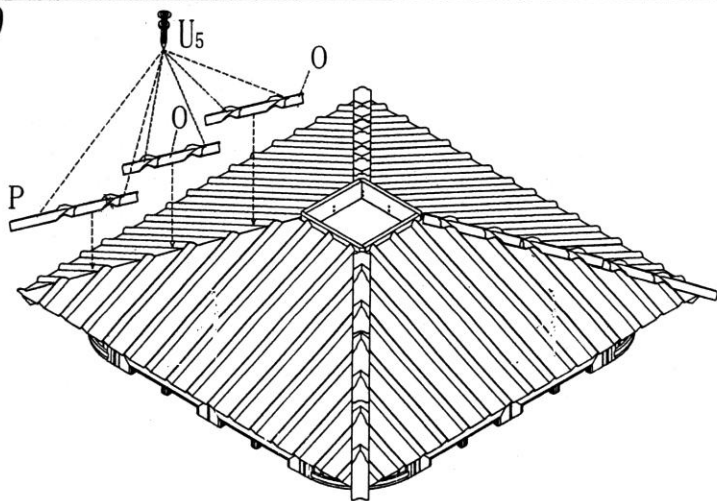
#17



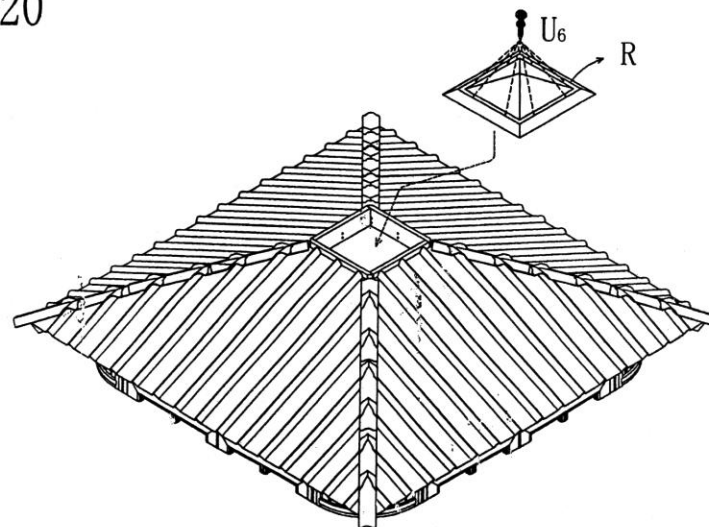
#18



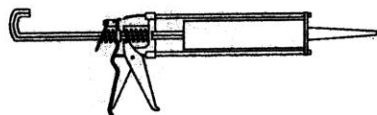
#19



#20

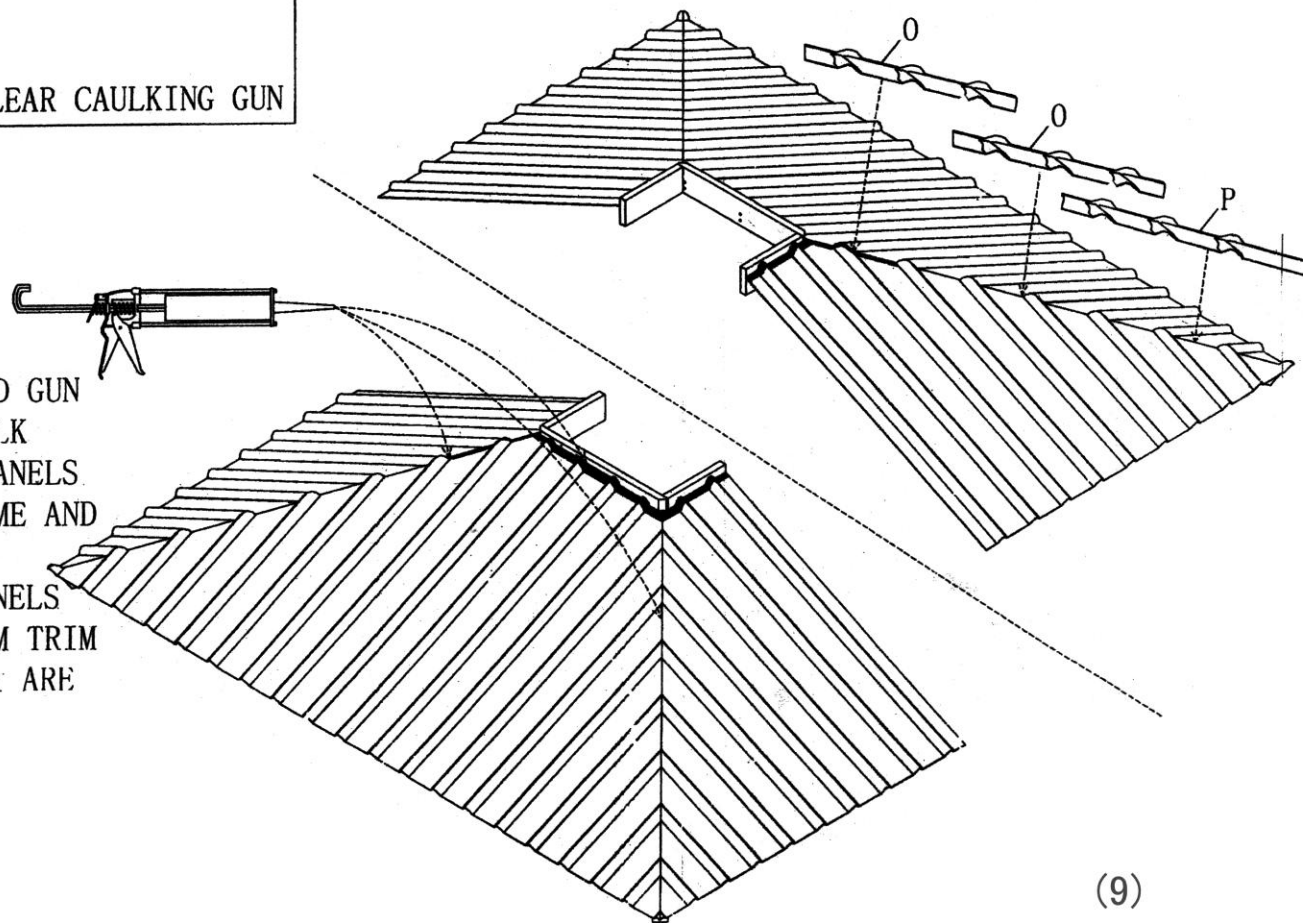


GAZEBO ROOF: INSTRUCTIONS FOR CAULKING SEAMS FOR WATERTIGHT FIT.



LATEX ACRYLIC CLEAR CAULKING GUN

ROOF SEAM TRIM PIECE



USE CAULKING AND GUN PROVIDED TO CAULK JOINT OF ROOF PANELS TO SKYLIGHT FRAME AND ALSO BUTT-JOINT SEAMS OF ROOF PANELS BEFORE ROOF SEAM TRIM PIECE O & P & P1 ARE ADDED.

TERMS & CONDITIONS



PAYMENT Bankers Draft, Bank Transfer, MasterCard, Visa, Switch or American Express.

CREDIT: Approved Credit only –call for application. Net due 10 days of invoice.

FREIGHT: Please specify your preference of carrier, otherwise goods will be shipped via the carrier of our choice. CANADIAN SPA WAREHOUSE / OFFICE LOCATIONS Crawley, West Sussex, UK /vancouver Canada / Toronto, Canada./ Los Angeles, California USA / Shanghai, China,/ Koln, Germany

CONTAINER: Spas 3 - 14 units depending on size per location.

MINIMUM QUANTITY: All orders must be shipped in case quantities. Minimum invoice amount is £500, \$ 1,000, € 750.00 not including delivery charges.

RETURNS: Goods returned for credit must be shipped with an “RGA” number on the outside of the box and on all paperwork. You will be given an “RGA” number when you arrange a return. Authorized returns in original condition are subject to a 15% restocking charge. Cartons sent back in damaged condition will be charged a slightly higher restocking charge. All returns must be PREPAID FREIGHT. Custom made products or special orders cannot be returned. Prices are subject to change without notice.

WARRANTY: The warranty is extended to the original purchaser. Canadian Spa Company warrants the products it manufactures, including all parts and components thereof, to be free of defects in material and workmanship. The Warranty does not apply if the failure is caused or contributed by any of the following: improper handling, improper storage, abuse, improper installation, unsuitable application, lack of reasonable and necessary maintenance, or repairs made or attempted by other than authorized service centers or technicians. Canadian Spa Company will repair or replace, at its option, a unit proved to be defective within the warranty period and under the condition of the warranty. Canadian Spa Company is not responsible for the cost of removal of the unit, damages due to removal or installation, any shipping charges to or from the factory or the installation of a repaired or replacement unit.



Canadian Spa Company

**Canada House
Salbrook Road
Salfords, Redhill
Surrey, UK, RH1 5GL
Telephone: (44) 01293 824094
Fax: (44) 01293 824750**

North American Head Office

**99 Bronte Road, Suite 613
Oakville, Ontario L6L 3B7
Telephone: (905) 825 8827
Fax: (905) 825 2513**

Canadian Spa Company sarl

**1 ter rue Jean Jaures
76500 Elbeuf, France
Telephone: (+33) 02 35 77 53 31
Mobile: (+33) 06 89 42 33 78
Fax: (+33) 02 35 75 82 24
nd@canadianspacompany.fr
www.canadianspacompany.fr**

Canadian Spa Company GmbH

**Lützerathstrasse 127
51107 Köln, Germany
Telephone:(49) 02203-995580
Fax:(49) 02203-33217**