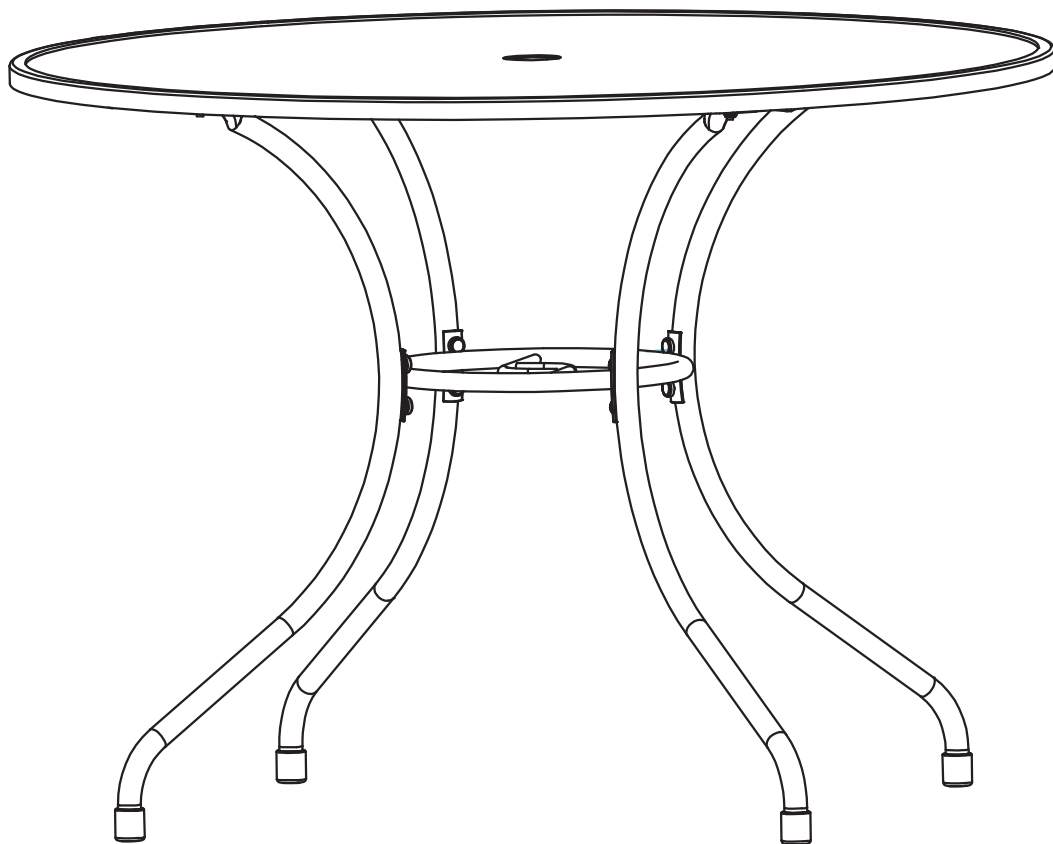


# Ontario Round 4 Seat Table

Assembly Instructions - Please keep for future reference

149113

293/4497



## Dimensions

Diameter-100cm

Height-72cm

**Important** – Please read these instructions fully before starting assembly

If you need help or have damaged or missing parts, call the Customer Helpline: 03450 778 888



# Safety and Care Advice

**Important – Please read these instructions fully before starting assembly**

- Check you have all the components and tools listed on pages 2.
- Remove all fittings from the plastic bags and separate them into their groups.
- Keep children and animals away from the work area, small parts could choke if swallowed.
- Make sure you have enough space to layout the parts before starting.

- Do not stand or put weight on the product during assembly, this could cause damage.
- Assemble the item as close to its final position (in the same room) as possible.
- Assemble on a soft level surface to avoid damaging the table or your floor.
- Parts of the assembly will be easier with 2 people.



- We do not recommend the use of power drill/drivers for inserting screws, as this could damage the unit. Only use hand screwdrivers.
- Dispose of all packaging carefully and responsibly.
- Weight: 10.35kg  
Please lift with care.

## Care and maintenance

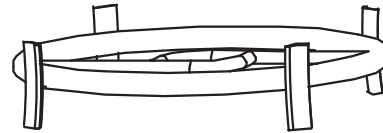
- This product has been designed for careful domestic outdoor use.
- Only clean using a damp cloth and mild detergent, do not use bleach or abrasive cleaners.
- Make sure each screw matches the corresponding figure to ensure correct assembly.
- From time to time check that there are no loose screws on this table.
- Do not fully tighten all screws until assembly is complete.
- This product should not be discarded with household waste. Take to your local authority waste disposal centre.
- When using a parasol with this table, always use a parasol base.
- When moving the table remove the parasol and lift the table. Do not drag. We recommend the use of furniture covers when not in use. We recommend that the table is stored in a dry and secure area, during off season periods.

# Components - Parts

Please check you have all the parts listed below



**1** Table top x1



**2** Small top x1










**3** Table leg x4

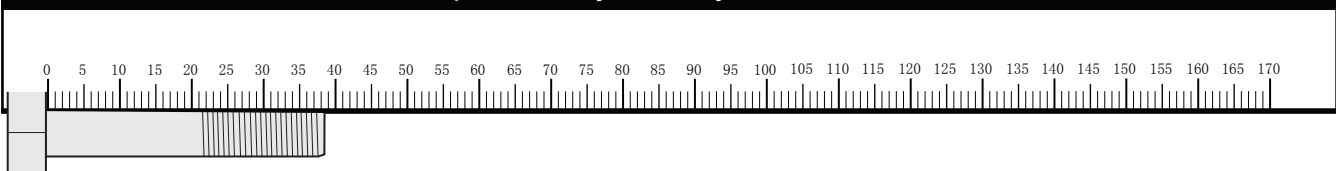
# Components - Fittings

Please check you have all the fittings listed below

**Note:** The quantities below are the correct amount to complete the assembly.

<p><b>A</b> </p> <p>6mm Screw x 8</p>	<p><b>B</b> </p> <p>Nut x 4</p>	<p><b>C</b> </p> <p>Metal washer x 12</p>
<p><b>D</b> </p> <p>Plastic cap x 4</p>	<p><b>E</b> </p> <p>Plastic cap x 8</p>	<p><b>F</b> </p> <p>Allen key x 1</p>
<p><b>G</b> </p> <p>Spanner x 1</p>		

**Ruler** - Use this ruler to help correctly identify the screws



# Assembly Instructions

## Step 1

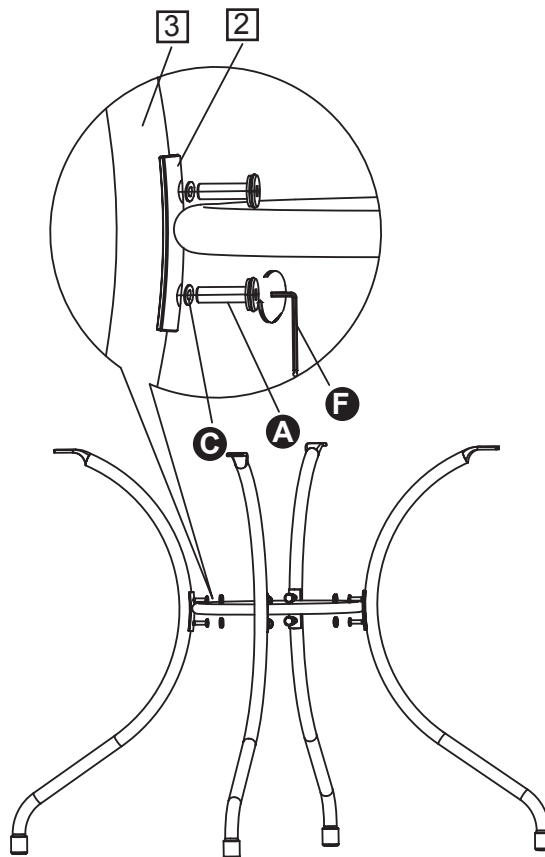
### Assembly frame

Suggest to complete this product assembly by two person.

Use allen Key **F**, 6mm screws **A**, and metal washers **C** to fix the small top **2** to 4 table legs **3**.



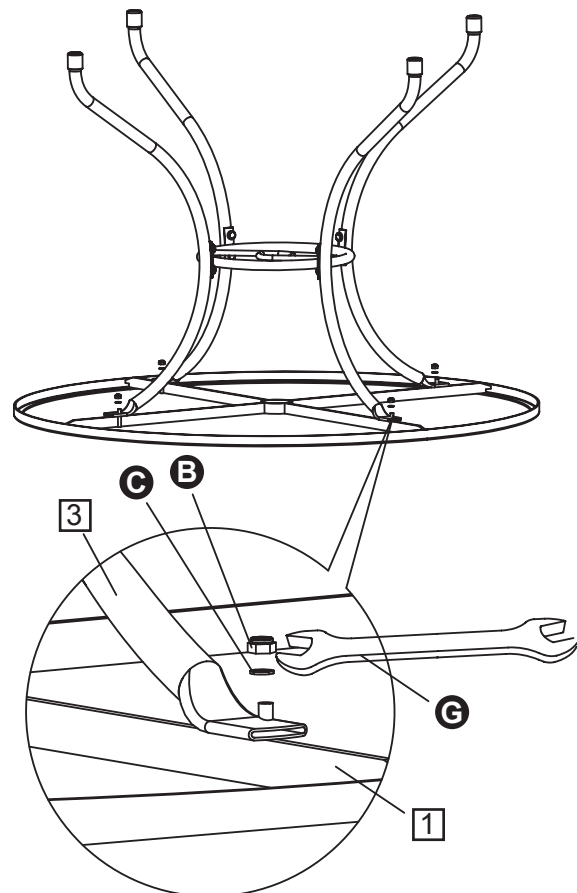
**Important:**  
Do not fully tighten all screws until assembly is complete.



## Step 2

Use spanner **G**, metal washer **C** and nut **B** to fix the table legs **3** to table top **1**.

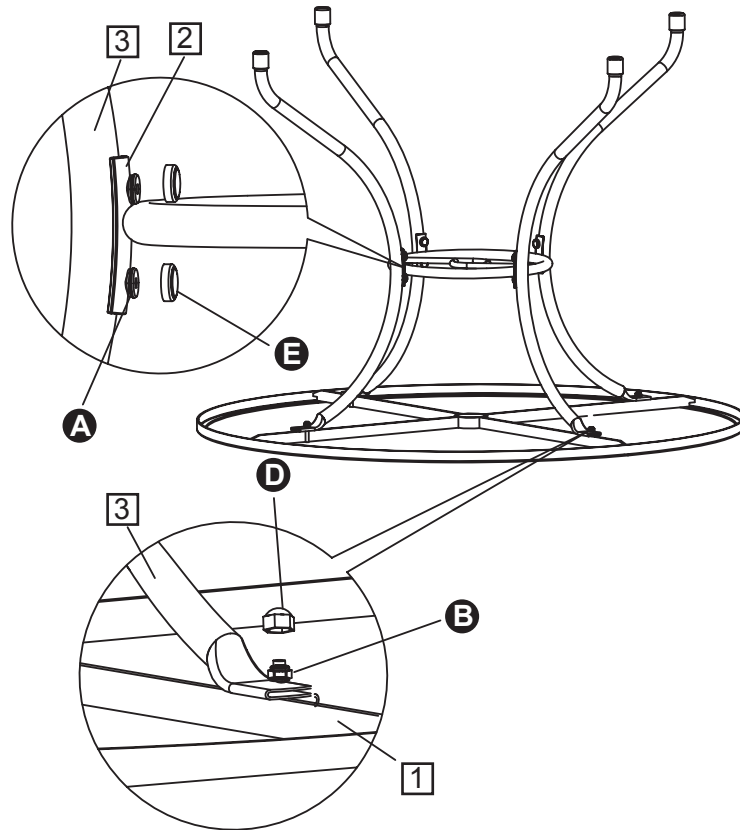
Tighten all the screws



# Assembly Instructions

## Step 3

Seal all the screws **A** and nuts **B** with plastic caps **E** & **D**



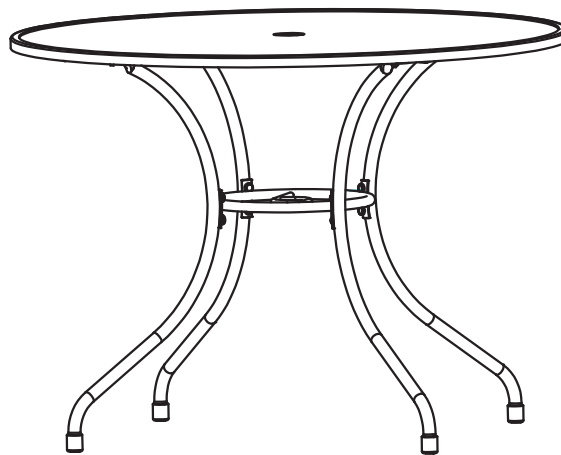
## Step 4

Turn the table to its upright position and please remove the cap if you want to insert parasol.

### Warning:

The parasol must be placed into the parasol's base if the table set need to match a parasol.

**Assembly is complete.**



If you need help or have damaged or missing parts, call the **Customer Helpline: 03450 778888**  
Homebase Limited  
489-499 Avebury Boulevard Saxon Gate West Central Milton Keynes Bucks, MK9 2NW