

# Hallingford - Dresser and Stool

Assembly Instructions - Please keep for future reference

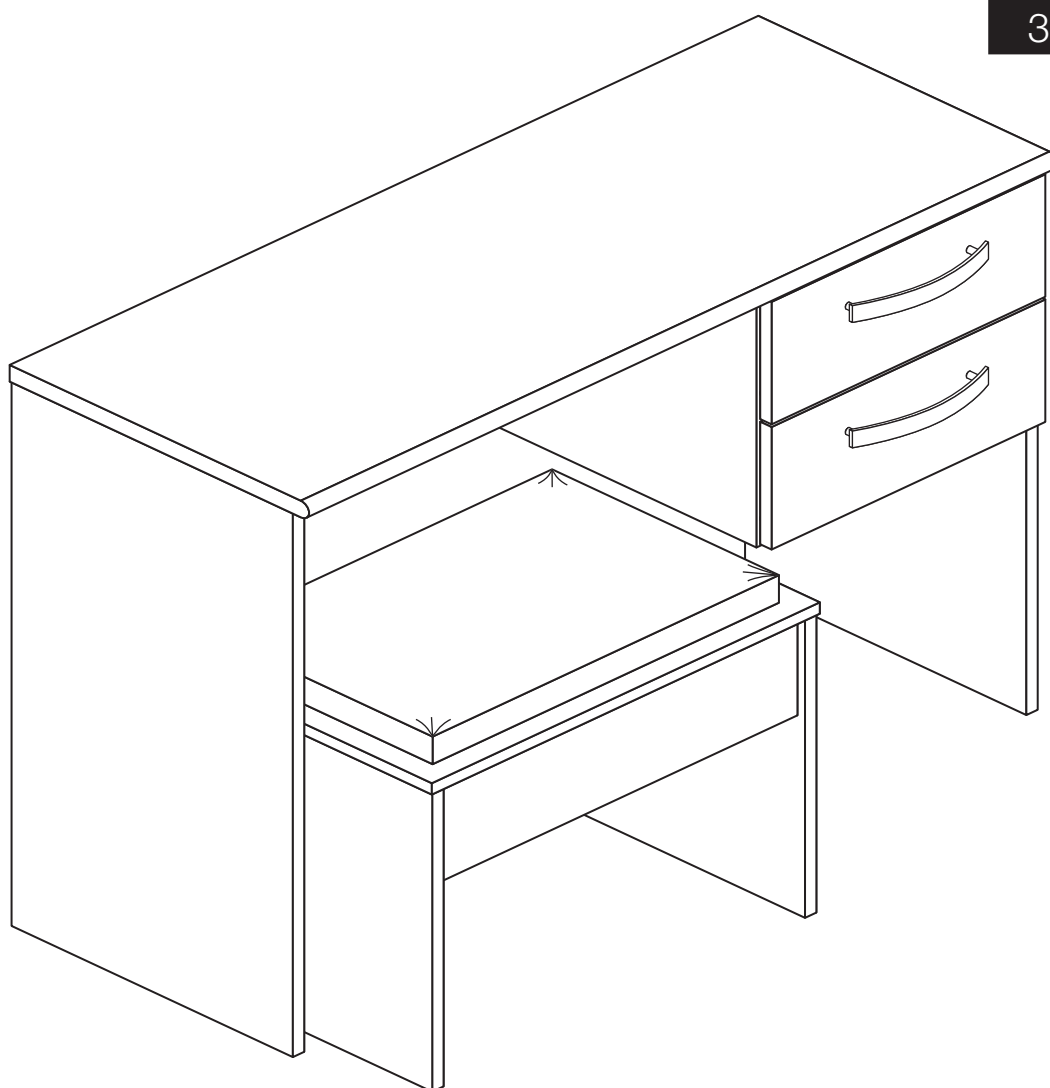
305/2323

305/2299

305/2316

305/2282

305/2347



## Dresser Dimensions

Width - 99cm

Depth - 40cm

Height - 74.5cm

## Stool Dimensions

Width - 51.5cm

Depth - 35.5cm

Height - 45cm



**MADE IN  
BRITAIN**

**Important** - Please read these instructions fully before starting assembly

If you need help or have damaged or missing parts, call the **Customer Helpline: 0870 112 1928** or email: [Help@ClickSpares.co.uk](mailto:Help@ClickSpares.co.uk) (quoting your original order number)



# Safety and Care Advice

**Important - Please read these instructions fully before starting assembly**

- **Warning:** This unit weighs approximately 29kgs. Please lift with care.

- Check you have all the components and tools listed on pages 2 and 3.

- Remove all fittings from the plastic bags and separate them into their groups.

- Keep children and animals away from the work area, small parts could choke if swallowed.

- Parts of the assembly will be easier with 2 people.

- Make sure you have enough space to layout the parts before starting.

- Do not stand or put weight on the product, this could cause damage.

- Assemble the item as close to its final position (in the same room) as possible.

- Assemble on a soft level surface to avoid damaging the unit or your floor (use opened out unit carton).



- We do not recommend the use of power drill/drivers **for inserting screws**, as this could damage the unit. Only use hand screwdrivers.

- **Safety note:** If there is any chance of this unit being pulled over by children etc. it is recommended that the unit is secured to a wall using suitable fixings (not supplied).

- Dispose of all packaging carefully and responsibly.

## Care and maintenance

- Only clean using a damp cloth and mild detergent, do not use bleach or abrasive cleaners.

- From time to time check that there are no loose screws on this unit.

- This product should not be discarded with household waste. Take to your local authority waste disposal centre.

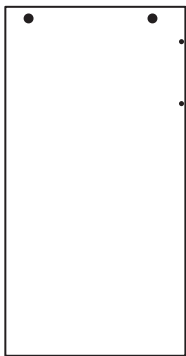
**Note:** If required the next page can be cut out and used as reference throughout the assembly. Keep this page with these instructions for future reference.

# Components - Panels

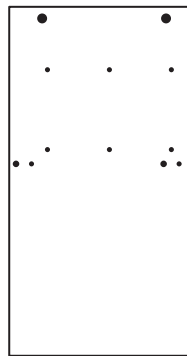
If you have damaged or missing components, call the **Customer Helpline: 0870 112 1928** or email: **Help@ClickSpares.co.uk** (quoting your original order number and the reference numbers below)

Please check you have all the panels listed below

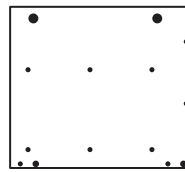
## Dresser



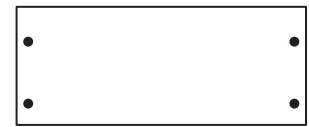
**1** Left Side (D2327A)  
(721 x 372mm)



**2** Right Side (D2328A)  
(721 x 372mm)



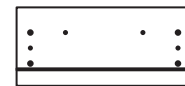
**3** Upright (D2329A)  
(333 x 372mm)



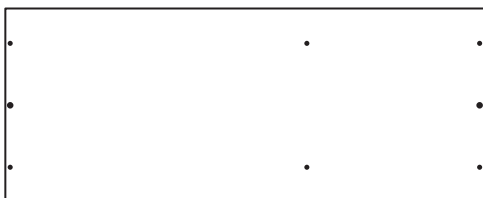
**4** Modesty (D2330A)  
(598 x 244mm)



**5** Rail (D2331A)  
(342 x 66mm) x 2



**6** Drawer Front (D2309A)  
(362 x 162mm) x 2



**7** Top (D2326A)  
(990 x 396mm)



**8** Left Drawer Side (W500LH)  
(330 x 95mm) x 2



**9** Right Drawer Side (W500RH)  
(330 x 95mm) x 2



**10** Drawer Back (W293-95)  
(293 x 95mm) x 2

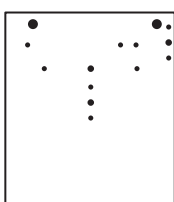


**11** Drawer Base (T304-327)  
(304 x 327mm) x 2

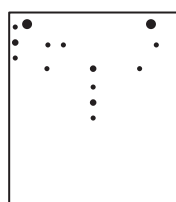


**12** Back (X350-366)  
(350 x 366mm)

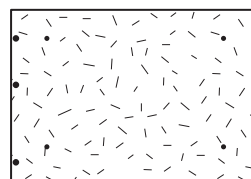
## Stool



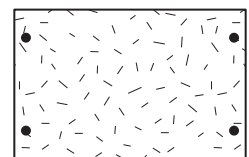
**13** Stool Left Side (D2333A)  
(395 x 350mm)



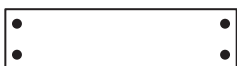
**14** Stool Right Side (D2334A)  
(395 x 350mm)



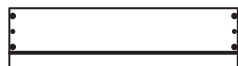
**15** Stool Top (D2332A)  
(513 x 353mm)



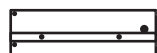
**16** Stool Base (D2336A)  
(478 x 308mm)



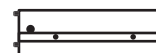
**17** Stool Rail (D2335A)  
(478 x 124mm) x 2



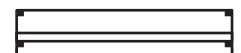
**18** Stool Drawer Front (D2338A)  
(472 x 126mm)



**19** Stool Left Drawer Side (W410LH)  
(300 x 95mm)



**20** Stool Right Drawer Side (W410RH)  
(300 x 95mm)



**21** Stool Drawer Back (W445-95)  
(445 x 95mm)



**22** Stool Seat Pad (FHALPAD)  
(458 x 300mm)



**23** Stool Drawer Base (T456-297)  
(456 x 297mm)

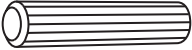
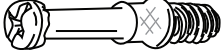



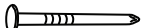









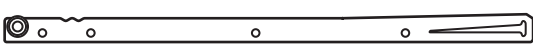
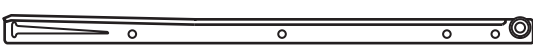



# Components - Fittings

If you have damaged or missing components, call the **Customer Helpline: 0870 112 1928** or **email: Help@ClickSpares.co.uk** (quoting your original order number and the reference numbers below)

Please check you have all the fittings listed below

**Note:** The quantities below are the correct amount to complete the assembly. In some cases more fittings may be supplied than are required.

<p><b>A</b> </p> <p>Wooden dowel (F22) x 14</p>	<p><b>B</b> </p> <p>Metal dowel (F901) x 36</p>	<p><b>C</b> </p> <p>Small locking nut (F3) x 6</p>
<p><b>D</b> </p> <p>Large locking nut (F900) x 30</p>	<p><b>E</b> </p> <p>Knock-in Peg (F171) x 12</p>	<p><b>F</b> </p> <p>Nail (F51) x 10</p>
<p><b>G</b> </p> <p>19mm Screw (F461) x 4</p>	<p><b>H</b> </p> <p>13mm Screw (F52) x 12</p>	<p><b>I</b> </p> <p>13mm Screw (F63) x 12</p>
<p><b>J</b> </p> <p>9mm Screw (F74) x 2</p>	<p><b>K</b> </p> <p>9mm Screw (F73) x 4</p>	<p><b>L</b> </p> <p>25mm Screw (F50) x 4</p>
<p><b>M a</b>  L Runner (F159) x 2 ← 350mm long →</p>	<p><b>N</b>  Drawer runner (F1004) x 2 ← 280mm long →</p>	
<p><b>M b</b>  R Runner (F160) x 2</p>		
<p><b>M c</b>  L Runner (F161) x 2</p>		
<p><b>M d</b>  R Runner (F162) x 2</p>	<p><b>O</b>  Handle (F278) x 2</p>	

## Tools required



Rule



Cross-head screwdriver



Scissors

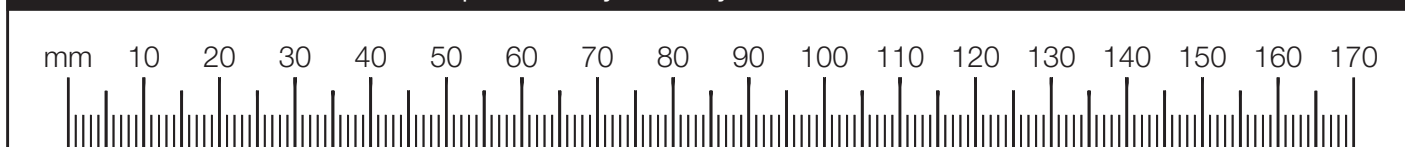


Hammer



Eye protection (when using a hammer or drill)

**Ruler** - Use this ruler to help correctly identify the screws



# Assembly Instructions

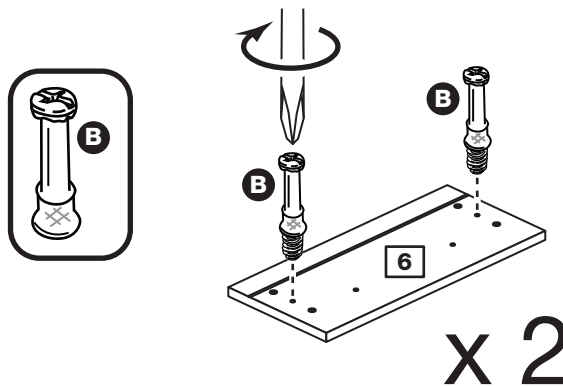
If you have damaged or missing components, call the Customer Helpline: 0870 112 1928 or email: [Help@ClickSpares.co.uk](mailto:Help@ClickSpares.co.uk) (quoting your original order number and the reference numbers below)

## Step 1

### Prepare the 2 drawer fronts

Screw 2 metal dowels **B** into the holes shown on the back of each drawer front **6**.

**Note:** Tighten metal dowels up fully against the panels.

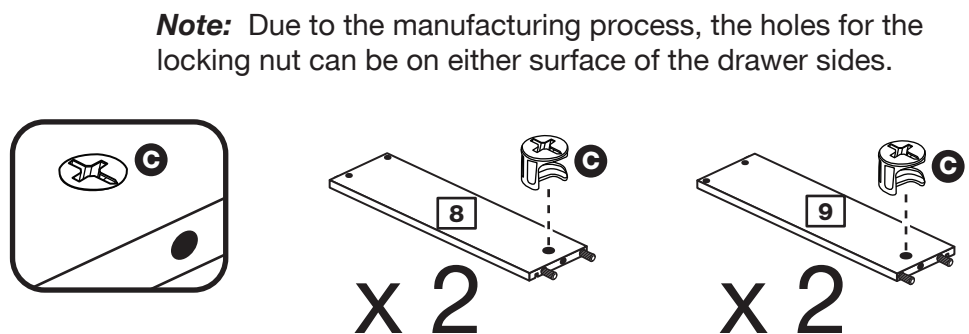


## Step 2

### Prepare the drawer sides

Insert a small locking nut **C** into the hole shown on the left drawer side **8** and right drawer side **9**.

**Note:** Arrow on locking nut **must** point towards hole in edge of panel.



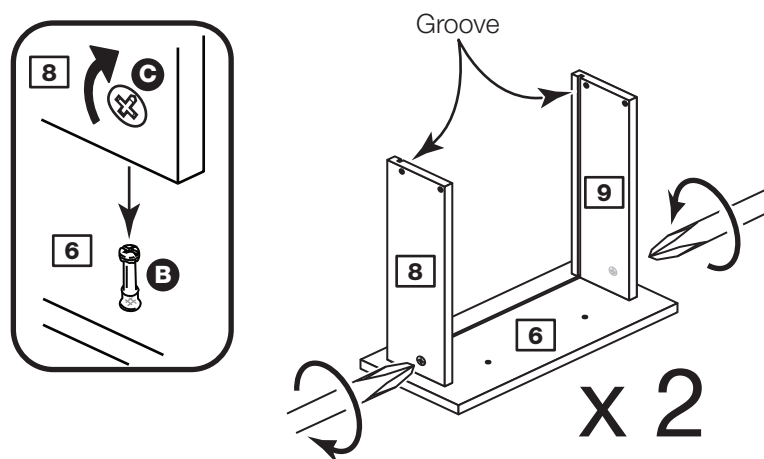
## Step 3

### Attach the drawer sides to the drawer front

Push the left drawer side **8** and right drawer side **9** onto the back of the drawer front **6**.

Turn the small locking nuts **C** on the left drawer side **8** and right drawer side **9**.

**Note:** Turn the locking nuts **C** clockwise to secure panels - more than 1/2 a turn.



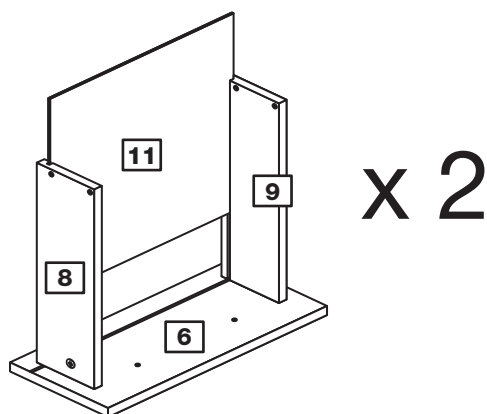
**Note:** The locking nuts can be on either surface of the drawer sides. Make sure that the groove is on the inside, as shown.

# Assembly Instructions

## Step 4

### Fit the drawer base

Slide the drawer base **11** down the grooves in the drawer sides **8** and **9** and down into the groove in the drawer front **6**.



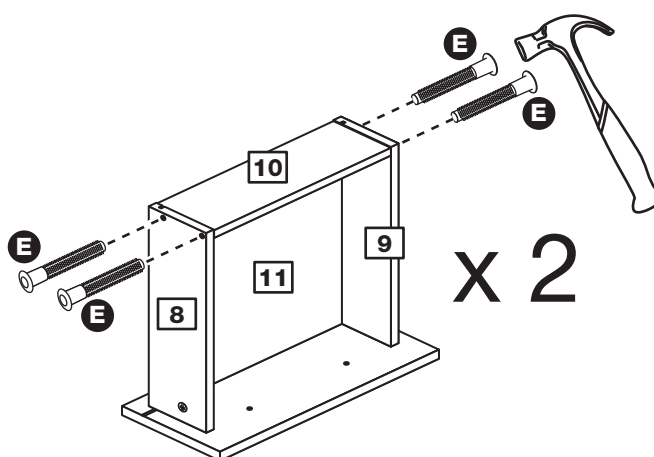
## Step 5

### Fit the drawer back

Fit the drawer back **10** between the drawer sides **8** and **9**.

Make sure that the drawer base **11** fits into the groove in the drawer back **10**.

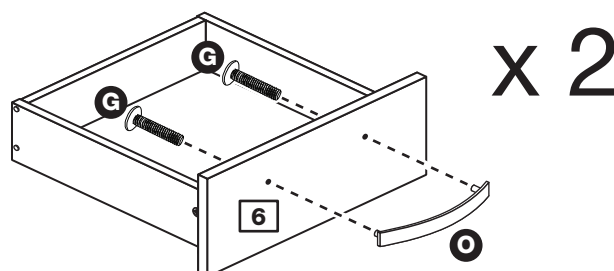
Hold the drawer back **10** in position and tap the knock-in pegs **E** through the holes in the drawer sides **8** and **9**.



## Step 6

### Attach the handle

Attach a handle **O** to each drawer front **6** using 2 screws **G**.



# Assembly Instructions

## Step 7

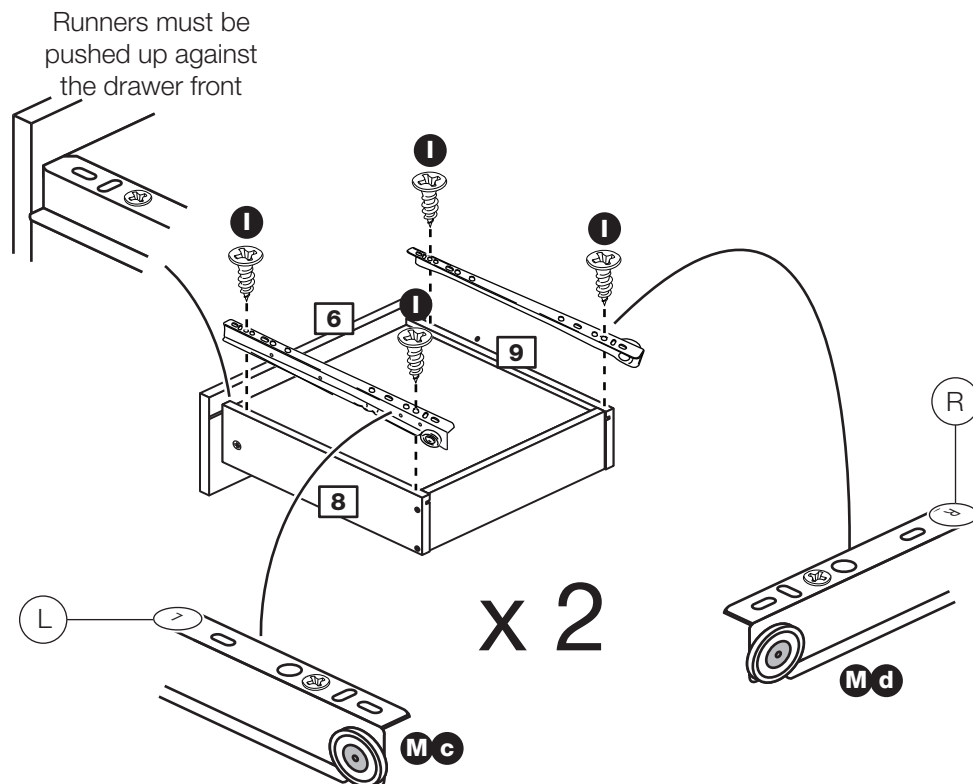
### Fit runners to the drawers

Turn the 2 drawer assemblies over.

Fit runner **(Md)**, marked with 'R', to the bottom edge of the right drawer side **(9)**, as shown, making sure that it is pushed up against the back of the drawer front **(6)**.

Use a bradawl to mark the fixing positions, then secure with 2 screws **(I)**.

Fit runner **(Mc)**, marked 'L', to the bottom edge of the left drawer side **(8)** using the same method.



## Step 8

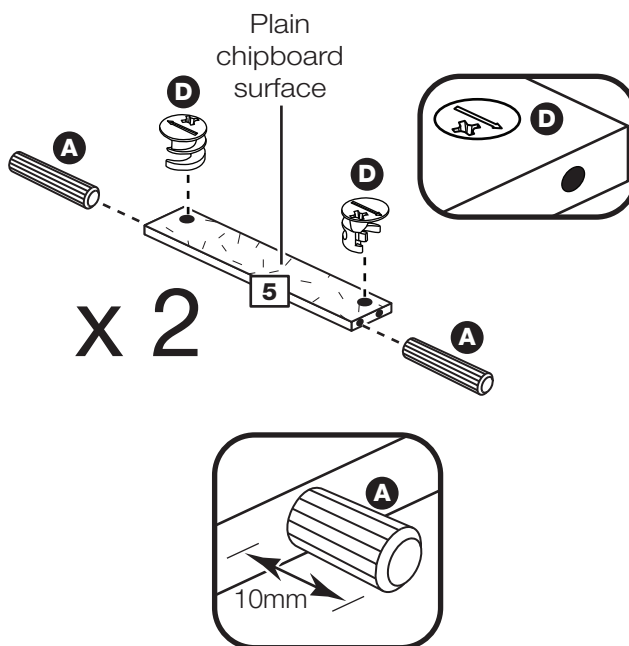
### Prepare the 2 rails

Tap 2 wooden dowels **(A)** into each rail **(5)**.

**Note:** Wooden dowels **must not** stick out from the edge by more than 10mm or they may damage other panels.

Insert 2 large locking nuts **(D)** into each rail **(5)**.

**Note:** The arrow on the locking nut **must** point towards the hole in the edge of the panel.



# Assembly Instructions

## Step 9

### Prepare the right side

**a:** Fit 2 runners **Mb** to the right side **2**.

The 1st screw **H** uses the 2nd hole in from the front of the runner.

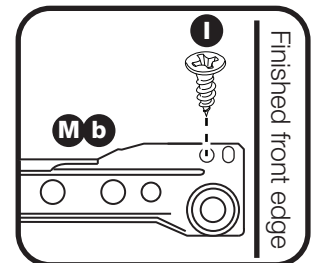
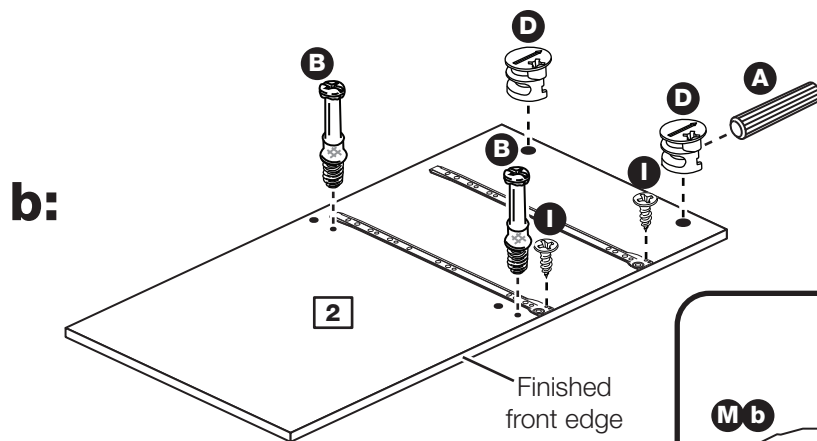
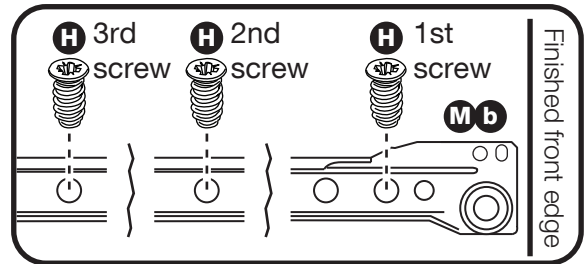
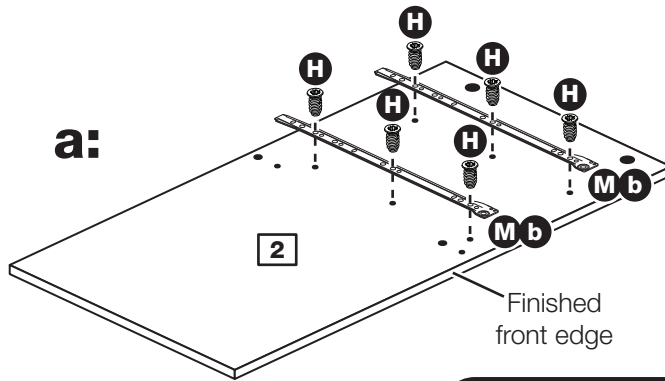
The 2nd and 3rd screws **H** use the holes that line up with the other panel holes.

**b:** Fit a screw **I** into the 2nd hole in at the top of the runner **Mb**.

Screw 2 metal dowels **B** into the right side **2**.

Insert 2 large locking nuts **D** into the right side **2**.

Tap a wooden dowel **A** into the right side **2**.



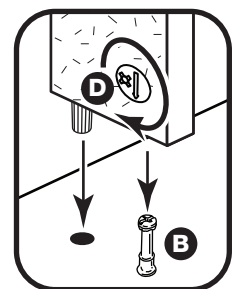
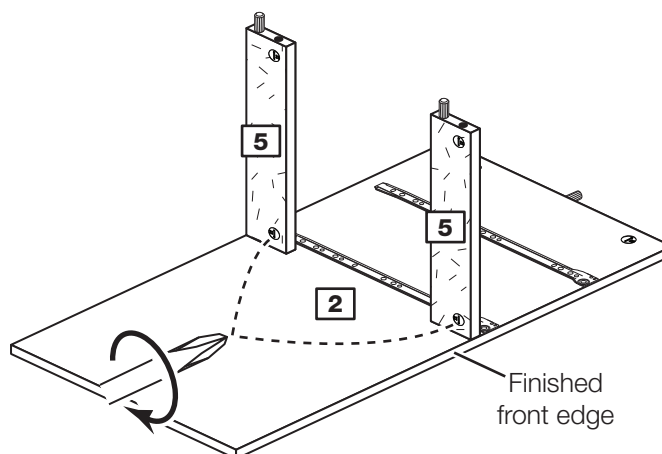
## Step 10

### Join the rails to the right side

Push the 2 rails **5** onto the right side **2**.

Use a screwdriver to tighten the 2 large locking nuts **D** fitted to the rails **5**.

**Note:** Turn the large locking nuts **D** as far as they will go - more than 1/2 a turn.





# Assembly Instructions

## Step 11

### Prepare the upright

**a:** Fit 2 runners **Ma** to the upright **3**

The 1st screw **H** uses the 2nd hole in from the front of the runner.

The 2nd and 3rd screws **H** use the holes that line up with the other panel holes.

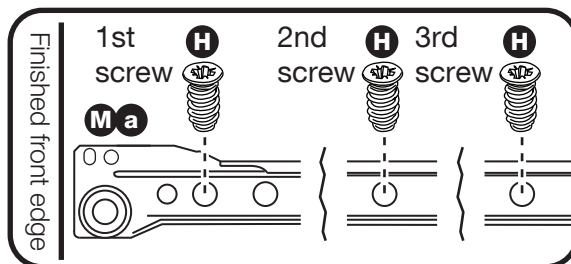
**b:** Fit a screw **I** into the 2nd hole in at the top of the runners **Ma**.

Screw 2 metal dowels **B** into the upright **3**

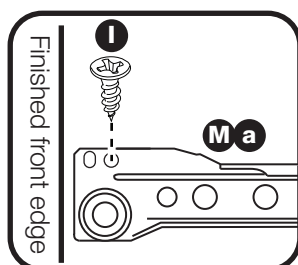
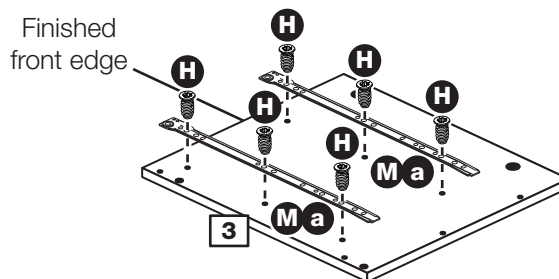
Insert 2 large locking nuts **D** into the upright **3**.

### Turn the upright over

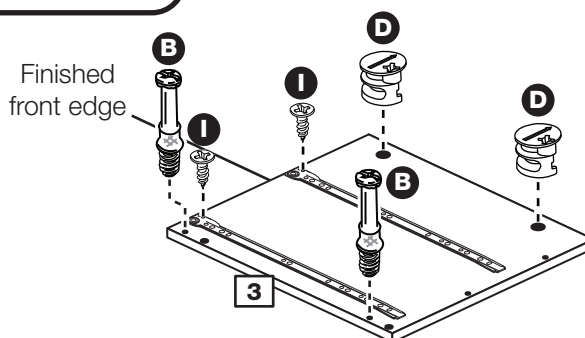
**c:** Screw 2 metal dowels **B** into the upright **3**.



**a:**



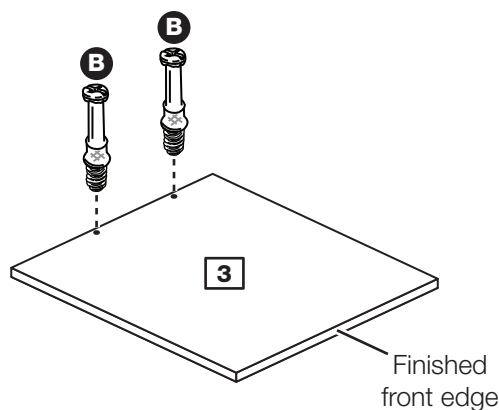
**b:**



Turn the upright over



**c:**



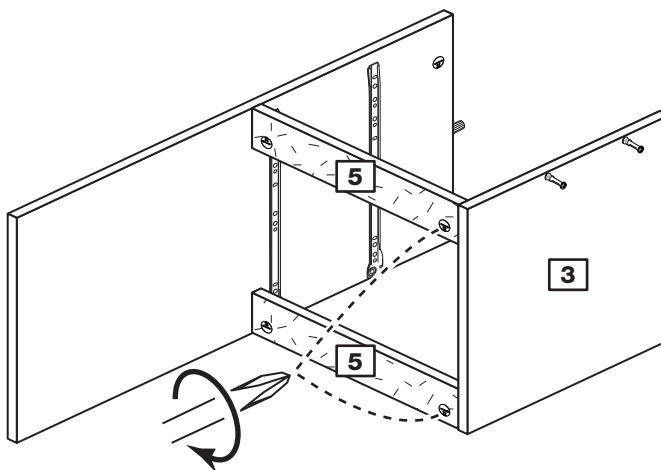
# Assembly Instructions

## Step 12

### Fit the upright

Push the upright **3** onto the 2 rails **5**.

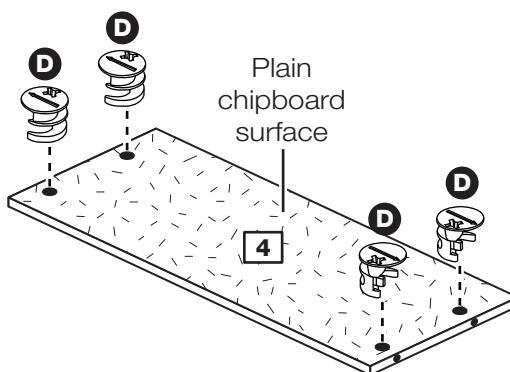
Use a screwdriver to tighten the 2 large locking nuts **D** fitted to the rails **5**.



## Step 13

### Prepare the modesty

Insert 4 large locking nuts **D** into the modesty **4**.



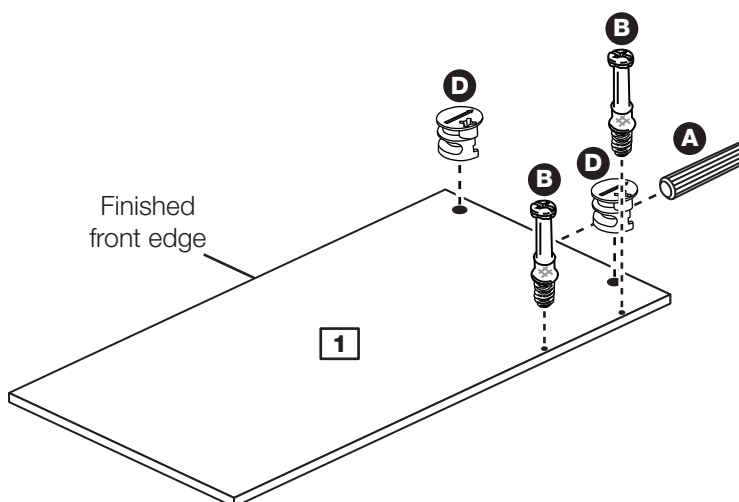
## Step 14

### Prepare the left side

Tap a wooden dowel **A** into the left side **1**.

Screw 2 metal dowels **B** into the left side **1**.

Insert 2 large locking nuts **D** into the left side **1**.



# Assembly Instructions

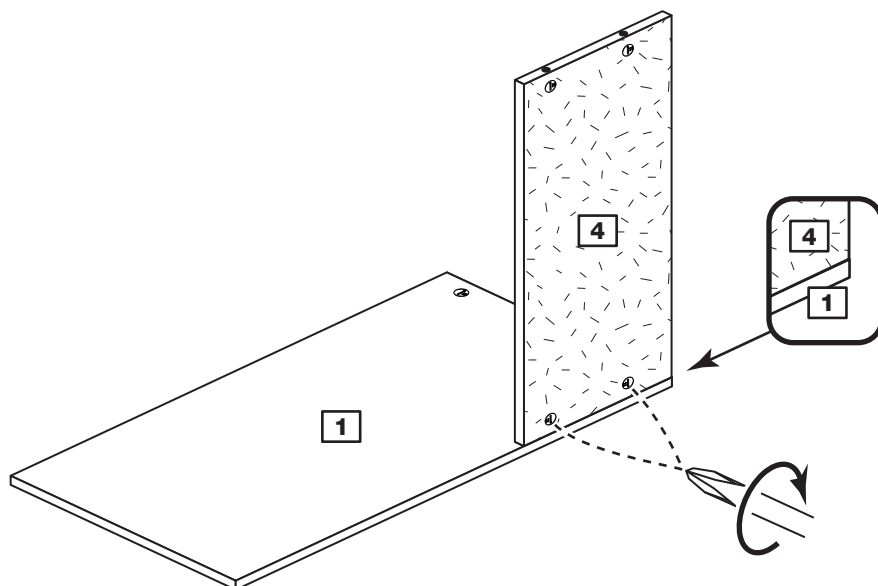
## Step 15

### Join the modesty to the left side

Push the modesty **4** onto the left side **1**.

**Note:** The top edges should be flush.

Use a screwdriver to tighten the 2 large locking nuts **D** fitted to the modesty **4**.



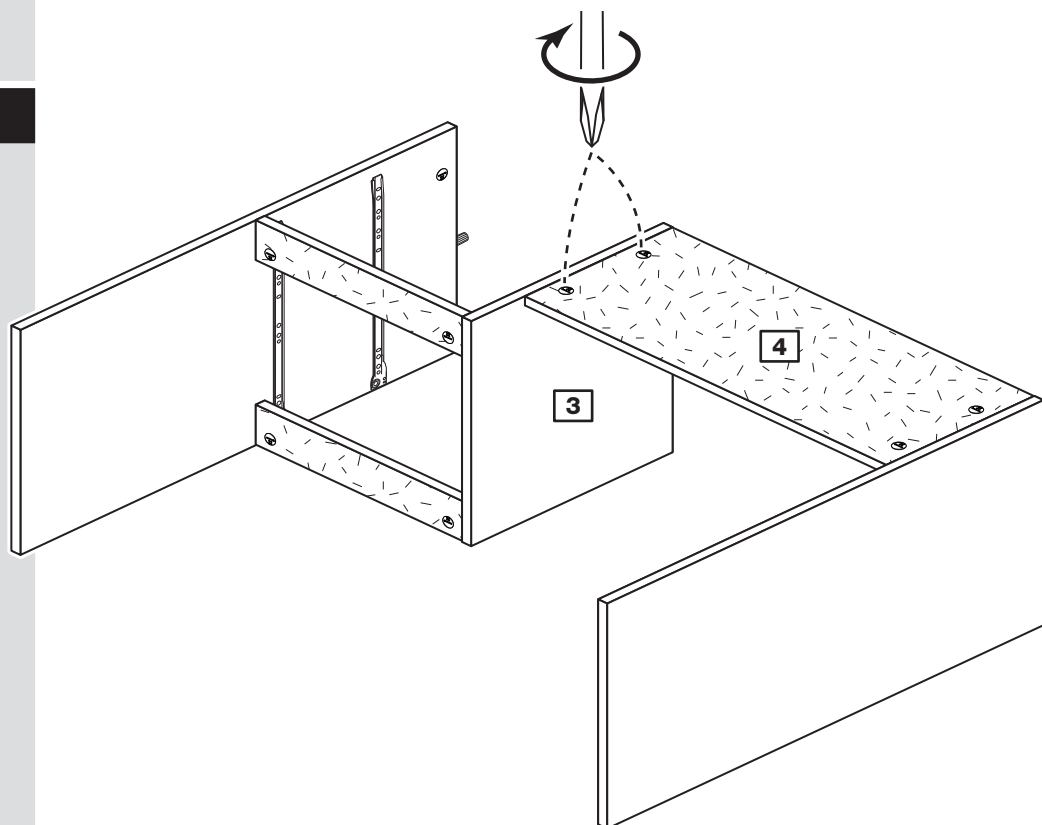
## Step 16

### Fit the modesty and left side assembly

Push the modesty **4** onto the upright **3**.

Use a screwdriver to tighten the 2 large locking nuts **D** fitted to the modesty **4**.

**Using 2 people, carefully stand the unit up .**

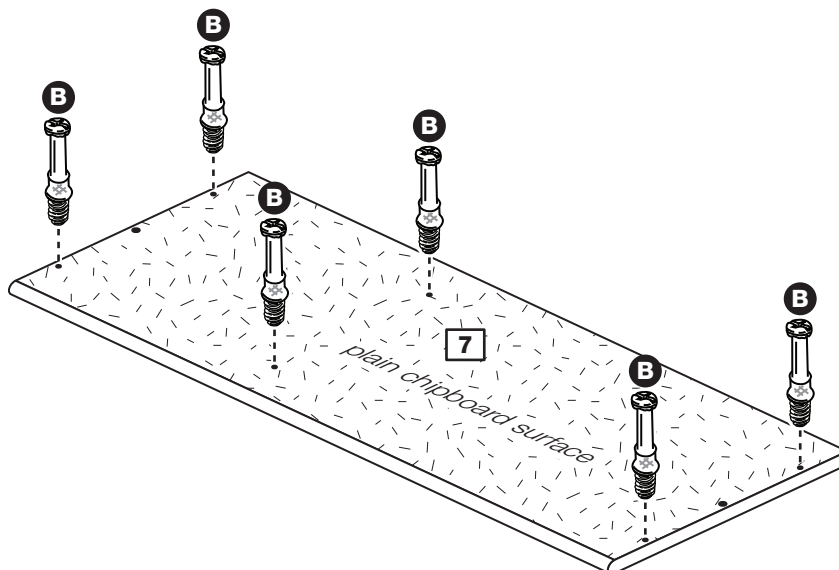


# Assembly Instructions

## Step 17

### Prepare the top

Screw 6 metal dowels **B** into the top **7**.



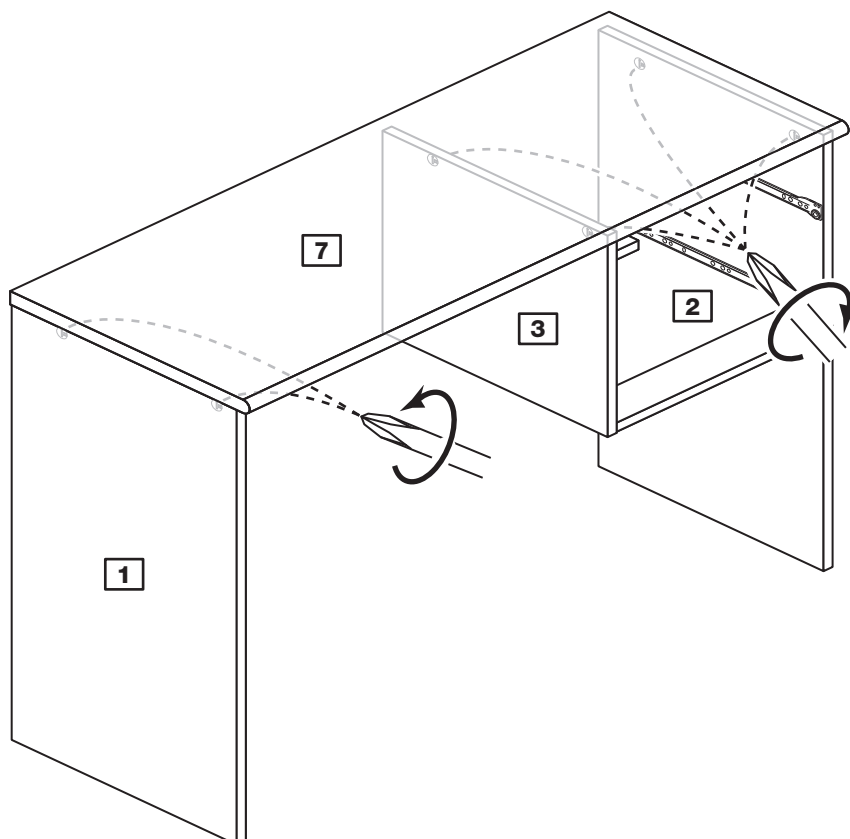
## Step 18

### Fit the top

Lower the top **7** down onto the assembly.

Use a screwdriver to tighten the 6 large locking nuts **D** fitted to the left side **1**, right side **2** and upright **3**.

**Using 2 people, carefully lay the unit back down onto its front.**



# Assembly Instructions

## Step 19

### Fit the back

**a:** Square up the unit by making sure that measurement **x** to **x** equals **y** to **y**.

**b:** Place the back **12** onto the unit.

Nail **F** around the outside edges of the back **12**.

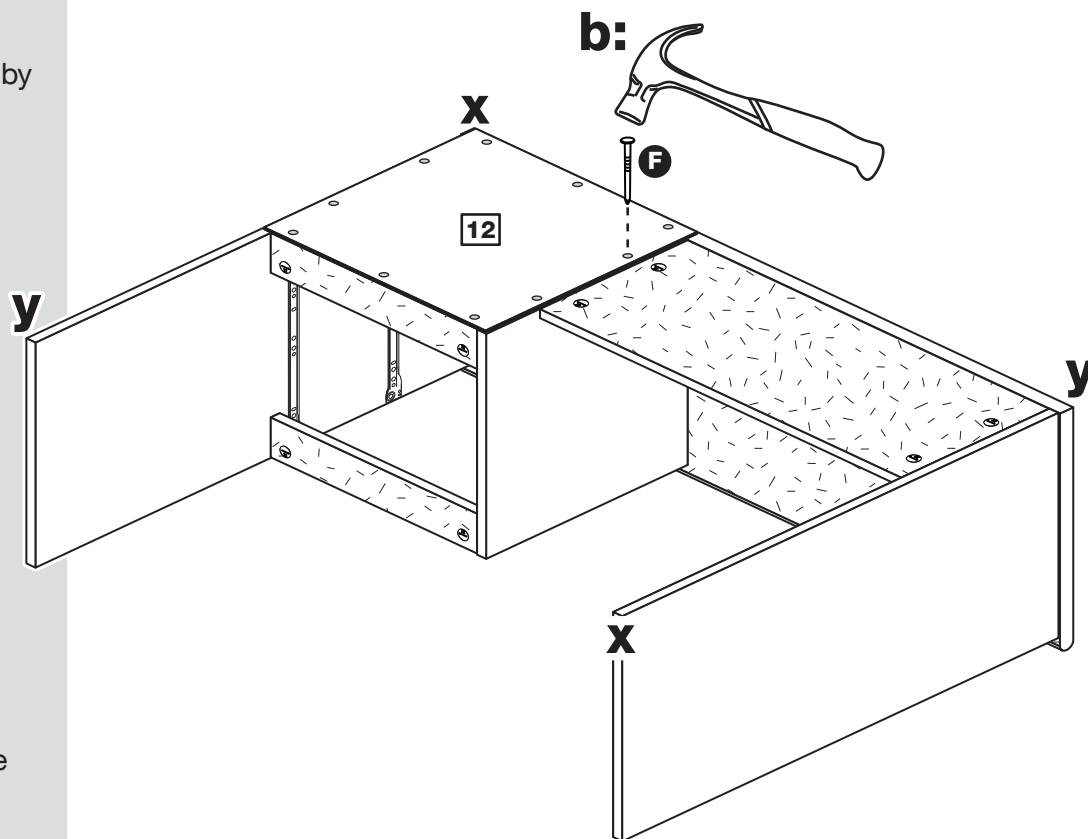
**Note:** Nails should be spaced about 150mm apart.

**Stand the unit up for the next step.**



**Warning:** The unit is heavy. Lift with care.

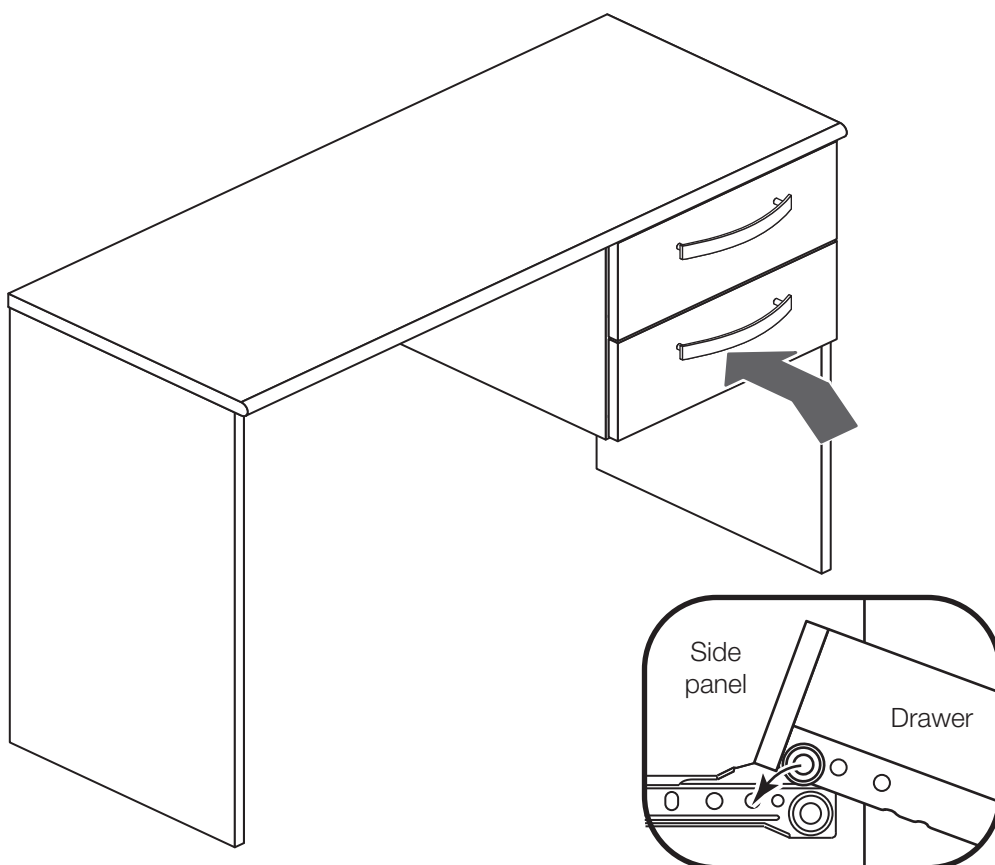
**a:** The measurement from top corner X to bottom corner X must be equal to the measurement from top corner Y to bottom corner Y



## Step 20

### Fit the drawers

Slide the wheels of the runners fitted to the drawers, over the wheels of the runners fitted to the side panels and push the drawers into position.

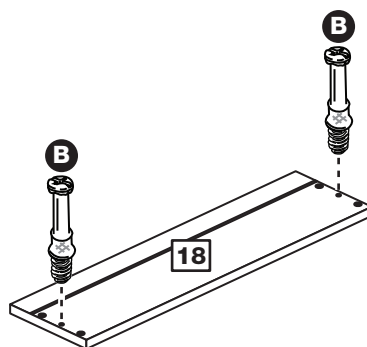


# Assembly Instructions

## Step 21

### Prepare the stool drawer front

Screw 2 metal dowels **B** into the stool drawer front **18**.

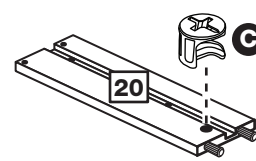
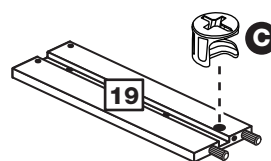
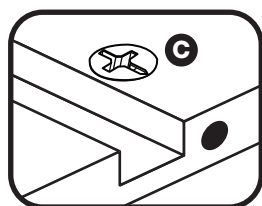


## Step 22

### Prepare the stool drawer sides

Insert a small locking nut **C** into the hole shown on the stool left drawer side **19** and stool right drawer side **20**.

**Note:** Arrow on locking nut **must** point towards hole in edge of panel.



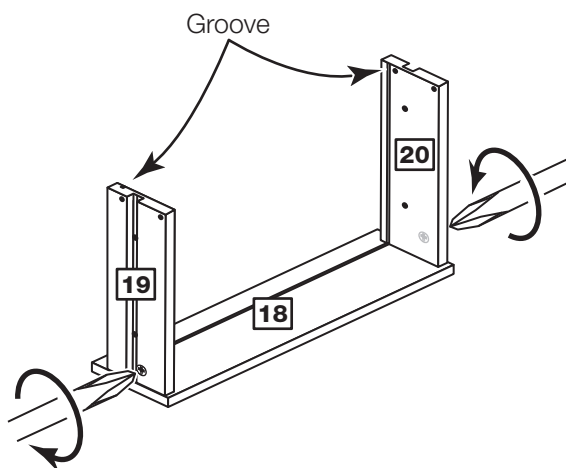
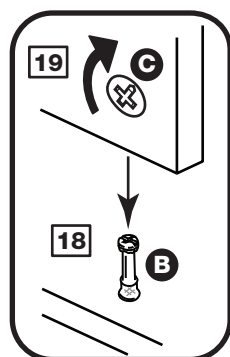
**Note:** Due to the manufacturing process, the holes for the locking nut can be on either surface of the drawer sides.

## Step 23

### Attach the stool drawer sides to the stool drawer front

Push the stool left drawer side **19** and stool right drawer side **20** onto the back of the stool drawer front **18**.

Turn the small locking nuts **C** on the stool left drawer side **19** and stool right drawer side **20**.



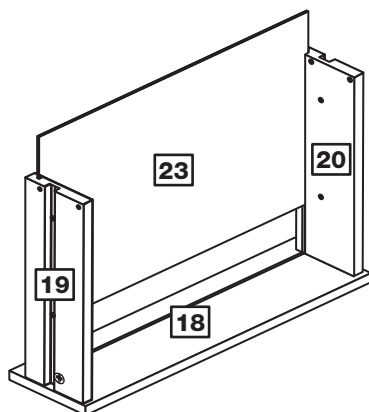
**Note:** The locking nuts can be on either surface of the drawer sides. Make sure that the groove is on the inside, as shown.

# Assembly Instructions

## Step 24

### Fit the stool drawer base

Slide the stool drawer base **23** down the grooves in the stool drawer sides **19** and **20** and down into the groove in the stool drawer front **18**.



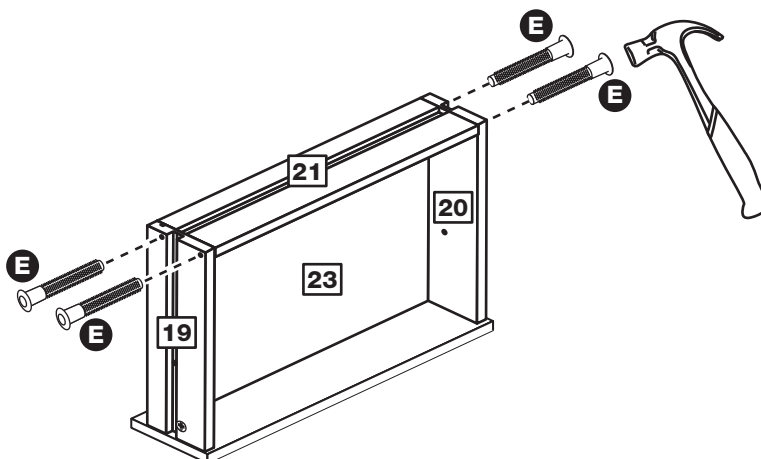
## Step 25

### Fit the stool drawer back

Fit the stool drawer back **21** down onto the stool drawer base **23**.

Make sure that the stool drawer base **23** fits into the groove in the stool drawer back **21**.

Hold the stool drawer back **21** in position and tap the knock-in pegs **E** through the holes in the stool drawer sides **19** and **20**.

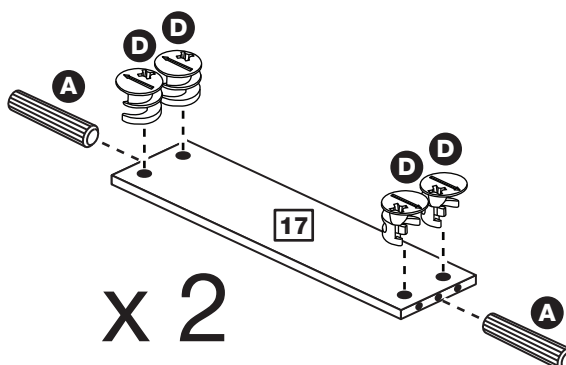


## Step 26

### Prepare the stool rails

Tap 2 wooden dowels **A** into each of the stool rails **17**.

Insert 4 large locking nuts **D** into each of the stool rails **17**.



# Assembly Instructions

## Step 27

### Prepare the stool left side

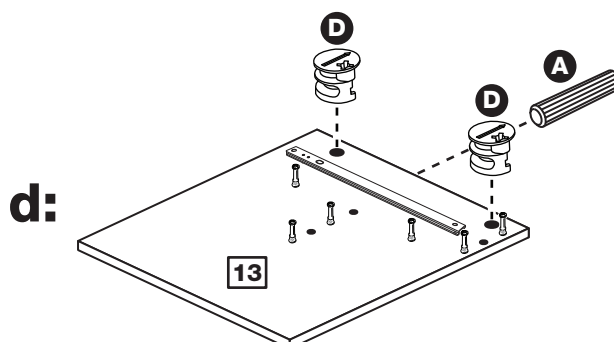
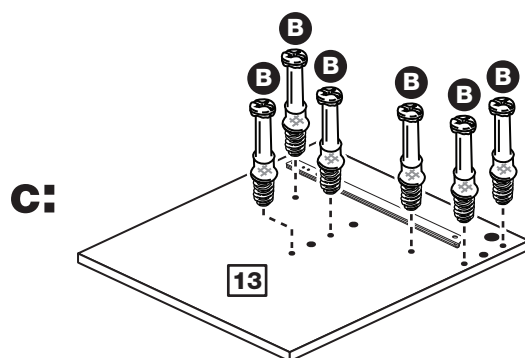
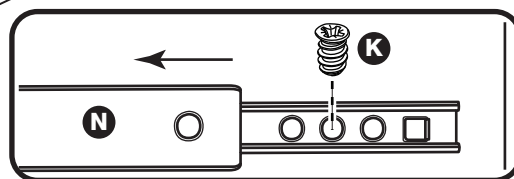
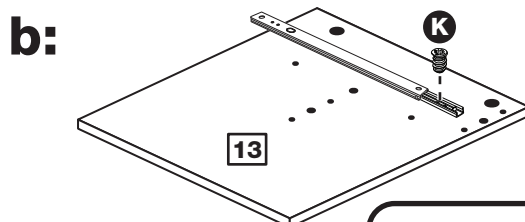
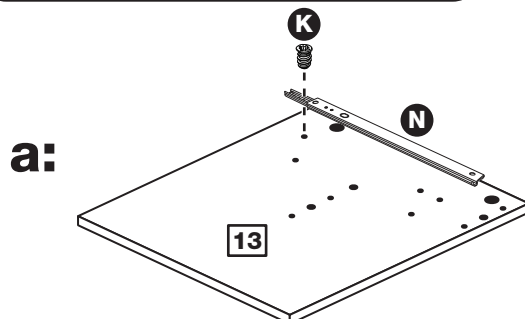
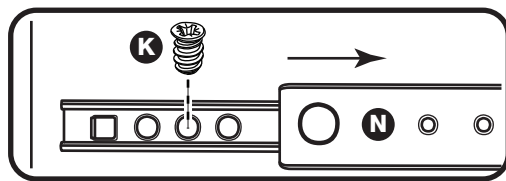
**a:** Place a runner **N** onto the stool left side **13**. Slide back the top of runner and use the 2nd hole from the front to fit the 1st screw **K**.

**b:** Slide the runner back the other way and use the 2nd hole from the back to fit the 2nd screw **K**.

**c:** Screw 6 metal dowels **B** into the stool left side **13**.

**d:** Tap a wooden dowel **A** into the stool left side **13**.

Insert 2 large locking nuts **D** into the stool left side **13**.





# Assembly Instructions

## Step 28

### Prepare the stool right side

**a:** Place a runner **N** onto the stool right side **14**. Slide back the top of runner and use the 2nd hole from the front to fit the 1st screw **K**.

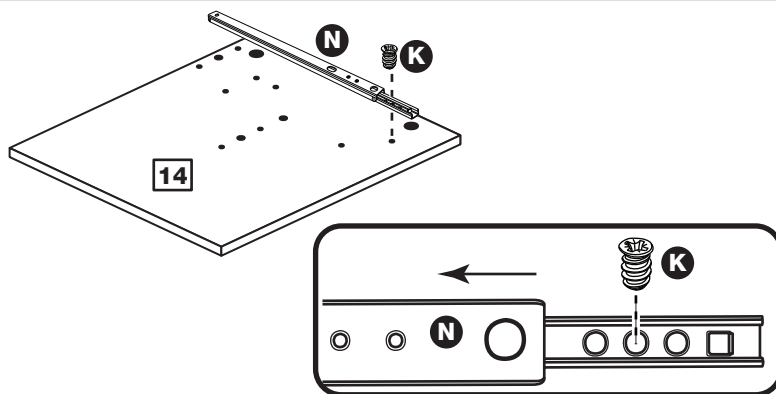
**b:** Slide the runner back the other way and use the 2nd hole from the back to fit the 2nd screw **K**.

**c:** Screw 6 metal dowels **B** into the stool right side **14**.

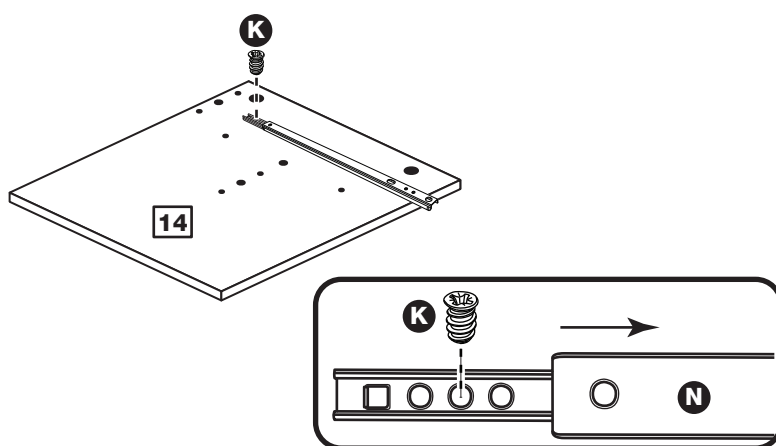
**d:** Tap a wooden dowel **A** into the stool right side **14**.

Insert 2 large locking nuts **D** into the stool right side **14**.

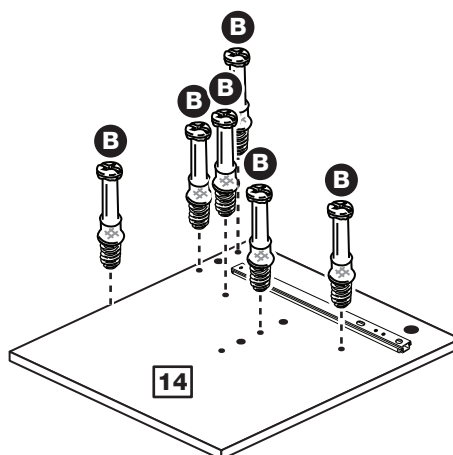
**a:**



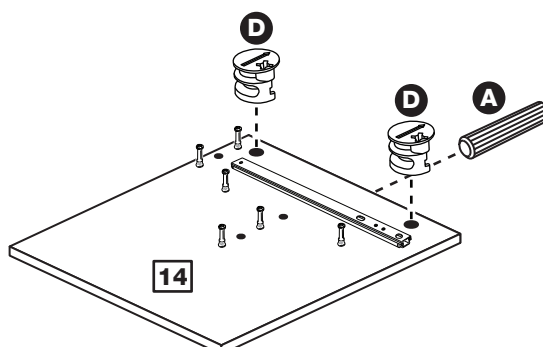
**b:**



**c:**



**d:**



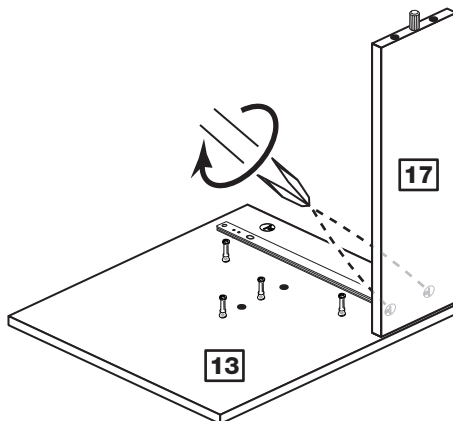
# Assembly Instructions

## Step 29

### Fit a stool rail to the stool left side

Push a stool rail **17** onto the stool left side **13**.

Use a screwdriver to tighten the 2 large locking nuts **D** fitted to the stool rail **17**.

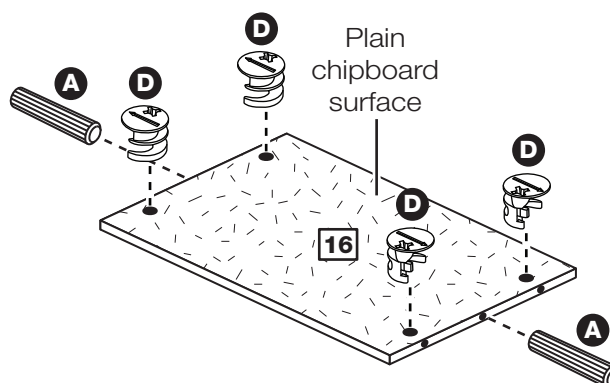


## Step 30

### Prepare the stool base

Tap 2 wooden dowels **A** into the stool base **16**.

Insert 4 large locking nuts **D** into the stool base **16**.

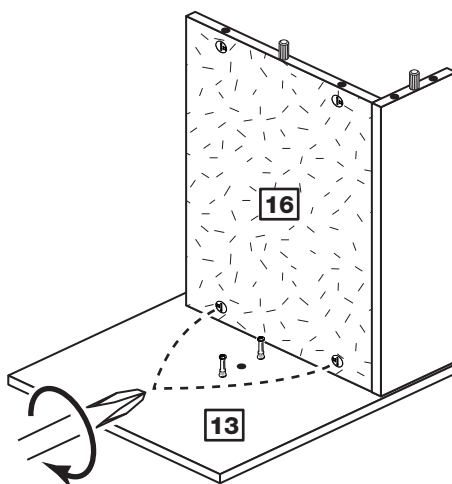


## Step 31

### Fit the stool base

Push the stool base **16** onto the stool left side **13**.

Use a screwdriver to tighten the 2 large locking nuts **D** fitted to the stool base **16**.



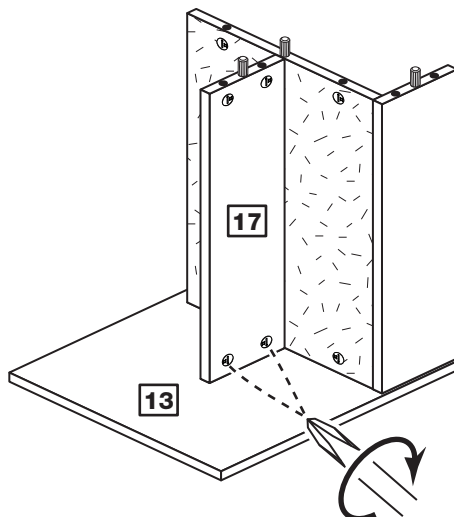
# Assembly Instructions

## Step 32

### Fit the other stool rail

Push the other stool rail **17** onto the stool left side **13**.

Use a screwdriver to tighten the 2 large locking nuts **D** fitted to the stool rail **17**.

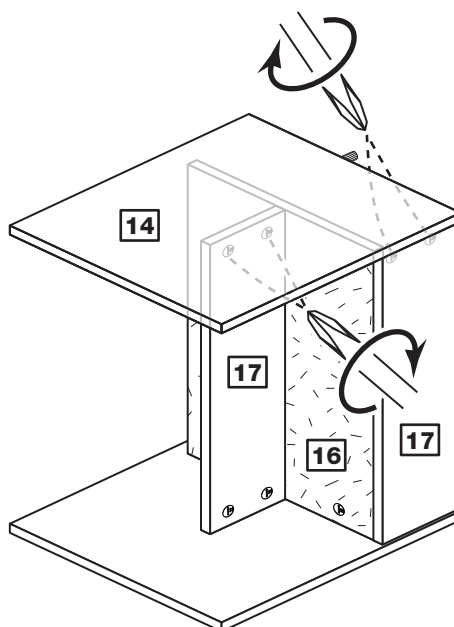


## Step 33

### Fit the stool right side

Push the stool right side **14** onto the stool base **16** and the 2 stool rails **17**.

Use a screwdriver to tighten the 2 large locking nuts **D** fitted to each of the stool rails **17**.

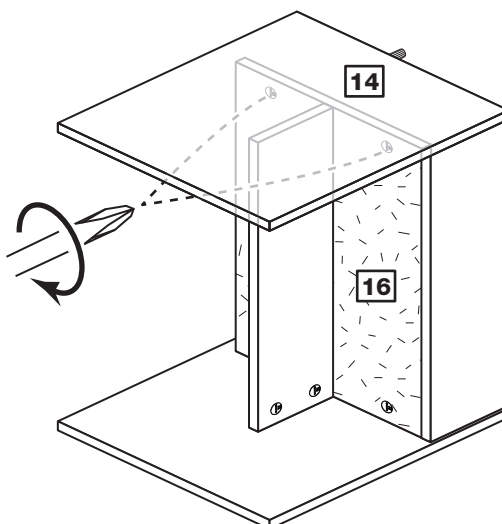


## Step 34

### Secure the stool base

Use a screwdriver to tighten the 2 large locking nuts **D** fitted to the stool base **16**.

**Stand the stool up for the next step.**

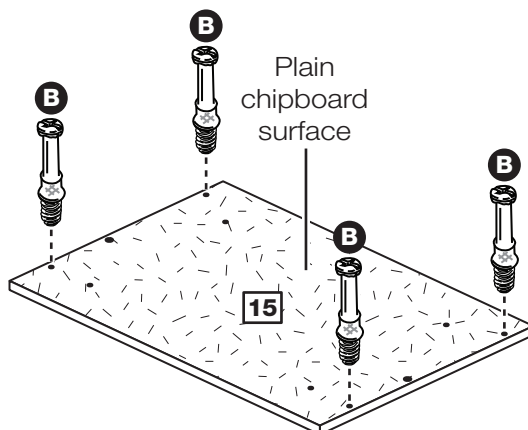


# Assembly Instructions

## Step 35

### Prepare the stool top

Screw 4 metal dowels **B** into the stool top **15**.

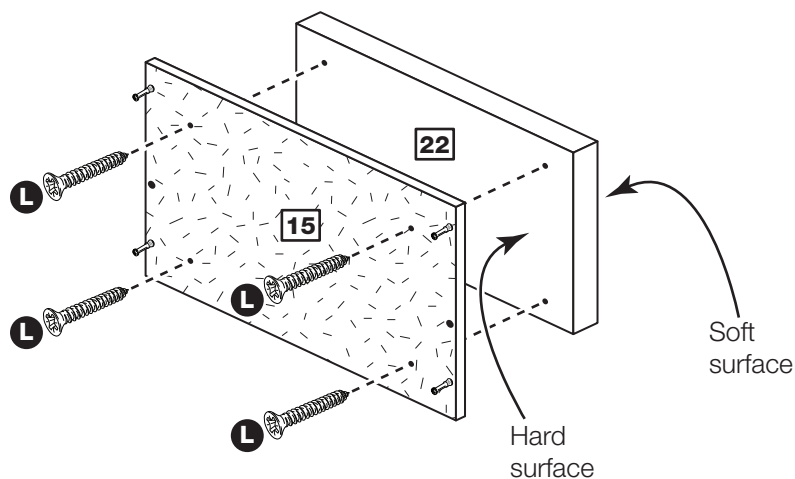


## Step 36

### Fit the stool seat pad

Fit the stool seat pad **22** to the stool top **15** using 4 screws **L**.

**Note:** Make sure that you screw into the hard surface of the stool seat pad.

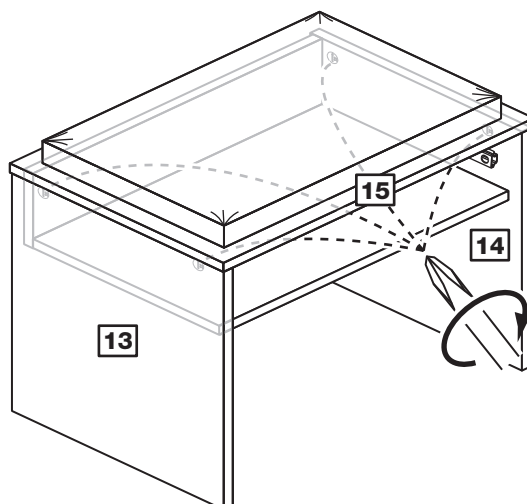


## Step 37

### Fit the stool top

Lower the stool top **15** down onto the assembly.

Use a screwdriver to tighten the 4 large locking nuts **D** fitted to the stool left side **13** and stool right side **14**.



# Assembly Instructions

## Step 38

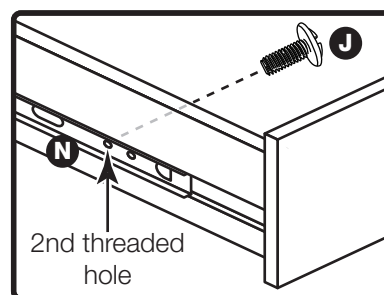
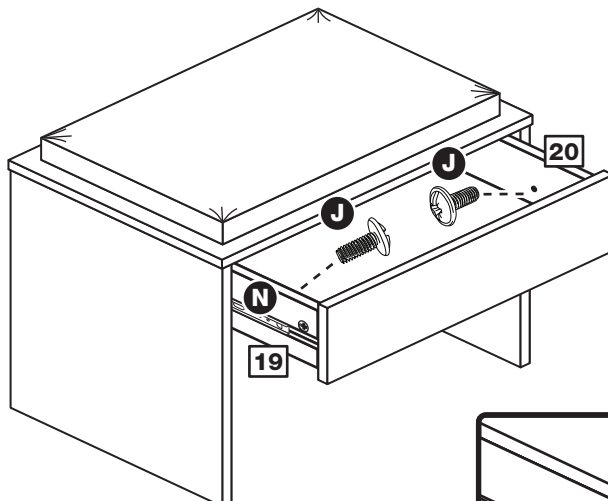
### Fit the stool drawer

Slide both the runners **N** forward and locate the drawer sides **19** and **20** between them, lining up the holes in the drawer sides with the 2nd 'threaded' holes in the runners **N**.

Working from the inside of the drawer, insert 2 screws **J** through the drawer sides and out into the 2nd threaded hole in the runner.

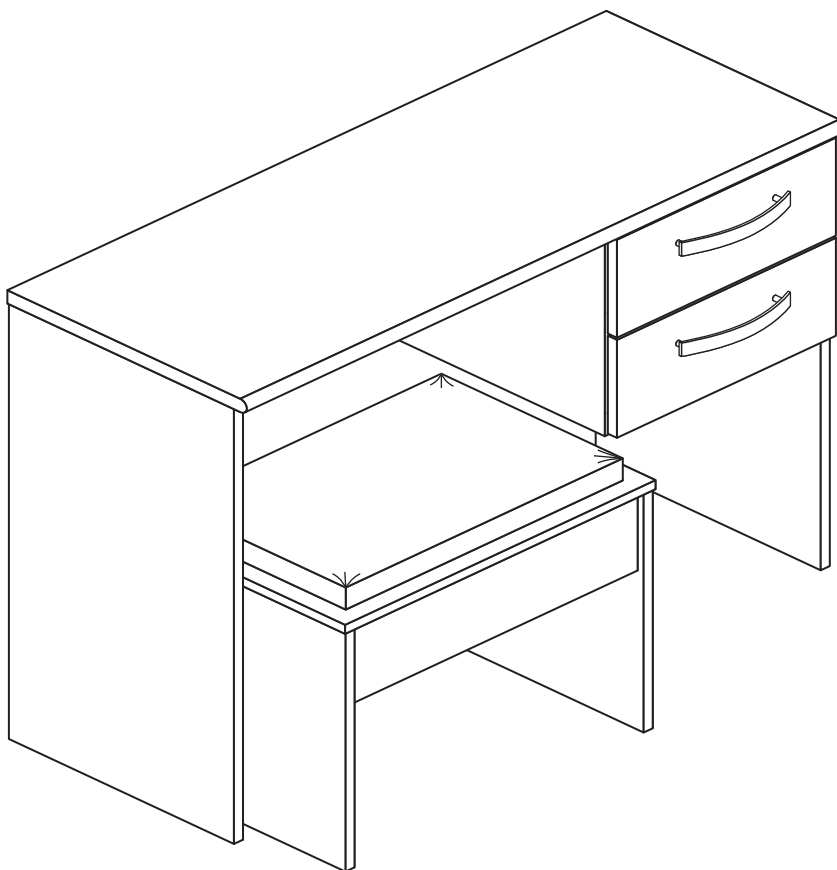
**Note:** Do not overtighten the screws **J**.

If they catch on the runner you may need to loosen them slightly.



## Step 39

### Assembly is complete



If you need help or have damaged or missing parts, call the **Customer Helpline: 0870 112 1928** or email: [Help@ClickSpares.co.uk](mailto:Help@ClickSpares.co.uk) (quoting your original order number and the reference numbers on the component pages)  
Argos Ltd, 489-499 Avebury Boulevard, Central Milton Keynes, MK9 2NW





