

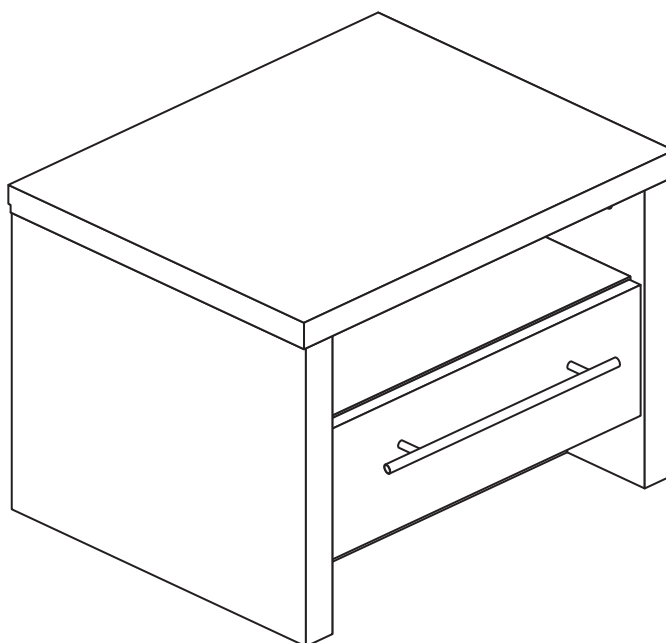
Camden - Bedside

Assembly Instructions - Please keep for future reference

305/0679

305/0662

183/6314



Dimensions

Width - 49cm

Depth - 39cm

Height - 43cm



**MADE IN
BRITAIN**

Important - Please read these instructions fully before starting assembly

If you need help or have damaged or missing parts, call the **Customer Helpline: 08456 400800**



Safety and Care Advice

Important - Please read these instructions fully before starting assembly

- **Warning:** This unit weighs approximately 11kgs. Please lift with care.

- Check you have all the components and tools listed on pages 2 and 3.

- Remove all fittings from the plastic bags and separate them into their groups.

- Keep children and animals away from the work area, small parts could choke if swallowed.

- Make sure you have enough space to layout the parts before starting.

- Do not stand or put weight on the product, this could cause damage.

- Assemble the item as close to its final position (in the same room) as possible.

- Assemble on a soft level surface to avoid damaging the unit or your floor (use opened out unit carton).



- We do not recommend the use of power drill/drivers **for inserting screws**, as this could damage the unit. Only use hand screwdrivers.

- **Safety note:** If there is any chance of this unit being pulled over by children etc. it is recommended that the unit is secured to a wall using suitable fixings (not supplied).

- Dispose of all packaging carefully and responsibly.

Care and maintenance

- Only clean using a damp cloth and mild detergent, do not use bleach or abrasive cleaners.

- From time to time check that there are no loose screws on this unit.

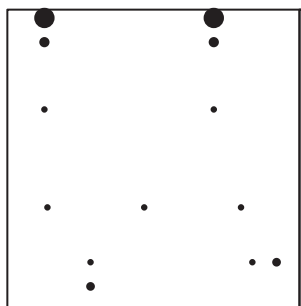
- This product should not be discarded with household waste. Take to your local authority waste disposal centre.

Note: If required the next page can be cut out and used as reference throughout the assembly. Keep this page with these instructions for future reference.

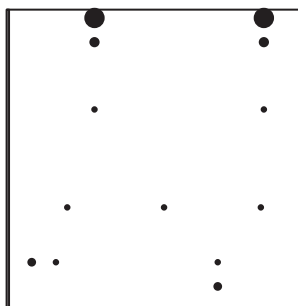
Components - Panels

If you have damaged or missing components, call the **Customer Helpline: 08456 400800** quoting the reference numbers below

Please check you have all the panels listed below



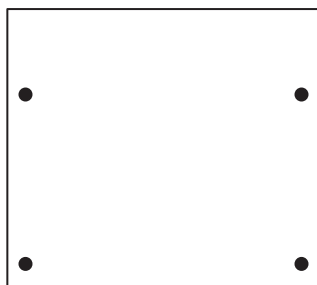
1 Left Side (D1986A)
(396 x 389mm)



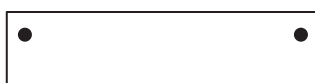
2 Right Side (D1987A)
(396 x 389mm)



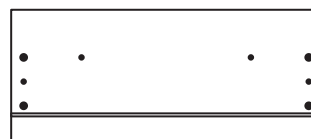
3 Top (D1985A)
(489 x 391mm)



4 Horizontal (D1990A)
(413 x 367mm)



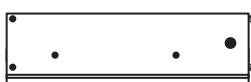
5 Plinth (D1988A)
(413 x 96mm) x 2



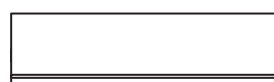
6 Drawer Front (D1989A)
(410 x 173mm)



7 Left Drawer Side (W516LH)
(320 x 95mm)



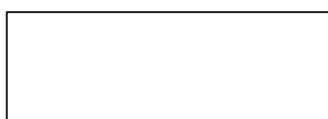
8 Right Drawer Side (W516RH)
(320 x 95mm)



9 Drawer Back (W536)
(363 x 95mm)



10 Drawer Base (T536)
(374 x 317mm)



11 Back (X942)
(430 x 148mm)


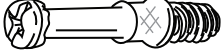
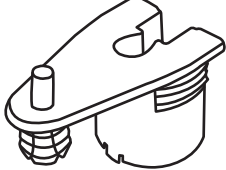
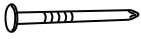




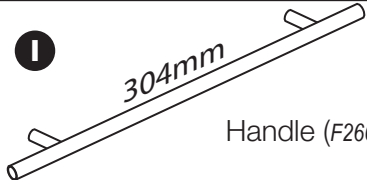





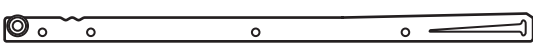
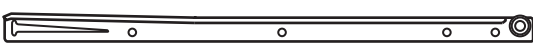



Components - Fittings

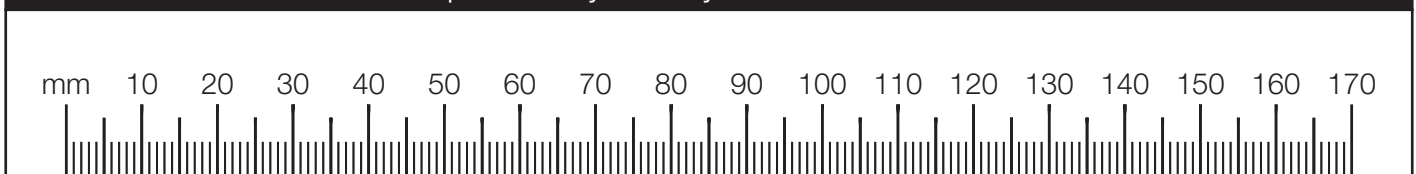
If you have damaged or missing components, call the **Customer Helpline: 08456 400800** quoting the reference numbers below

Please check you have all the fittings listed below

Note: The quantities below are the correct amount to complete the assembly. In some cases more fittings may be supplied than are required.

| | | |
|---|---|---|
| <p>A </p> <p>Wooden dowel (F22) x 4</p> | <p>B </p> <p>Metal dowel (F901) x 10</p> | <p>C </p> <p>Hollow core locking nut (F892) x 4</p> |
| <p>D </p> <p>Nail (F51) x 7</p> | <p>E </p> <p>Large locking nut (F900) x 8</p> | <p>F </p> <p>Small locking nut (F3) x 2</p> |
| <p>G </p> <p>Small metal dowel (F893) x 4</p> | <p>H </p> <p>19mm Screw (F461) x 2</p> | <p>I </p> <p>304mm Handle (F266) x 1</p> |
| <p>J </p> <p>13mm Screw (F63) x 6</p> | <p>K </p> <p>13mm Screw (F52) x 6</p> | <p>L </p> <p>Knock-in Peg (F171) x 4</p> |
| <p>M a  L Runner (F159) x 1</p> <p>M b  R Runner (F160) x 1</p> <p>M c  L Runner (F161) x 1</p> <p>M d  R Runner (F162) x 1</p> | <p>N </p> <p>Wedgefix (F639) x 4</p> | |

Ruler - Use this ruler to help correctly identify the screws



Assembly Instructions

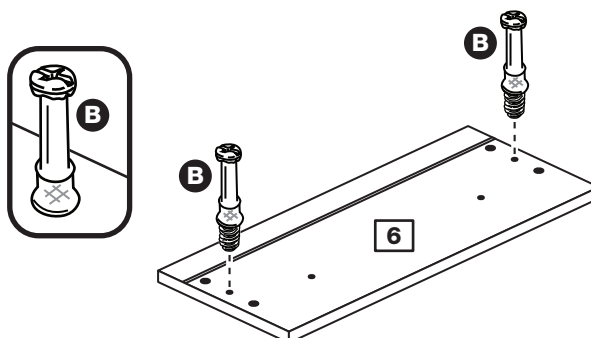
If you have damaged or missing components, call the
Customer Helpline: 08456 400800 quoting the reference
numbers below

Step 1

Prepare the drawer front

Screw 2 metal dowels **B** into the drawer front **6**.

Note: Tighten the metal dowels up fully against the panels.

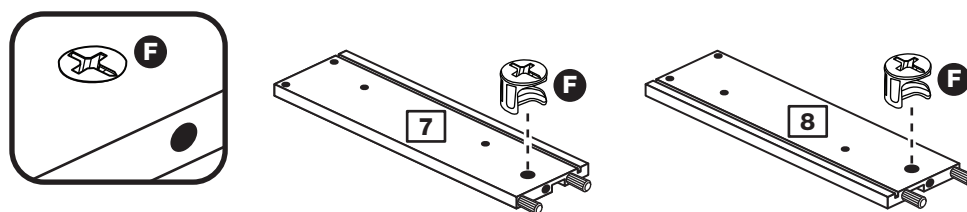


Step 2

Prepare the drawer sides

Insert a small locking nut **F** into the hole shown on the left drawer side **7** and right drawer side **8**.

Note: The arrow on the locking nut **must** point towards the hole in the edge of the panel.



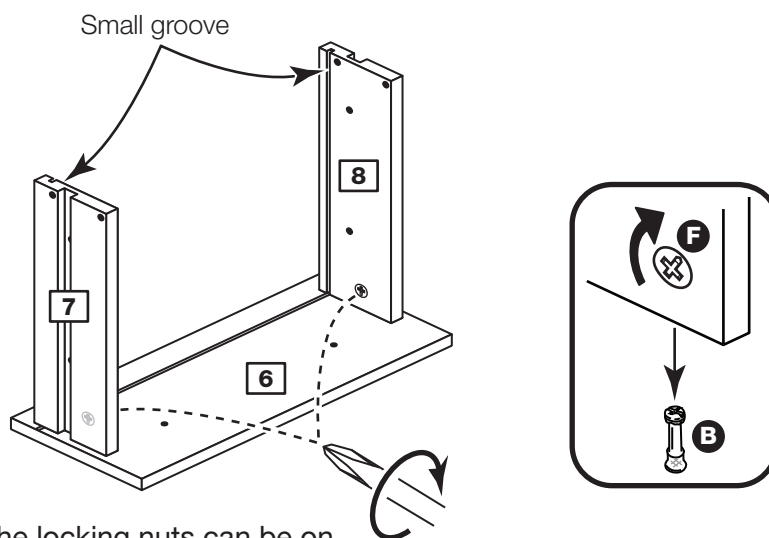
Step 3

Attach the drawer sides to the drawer front

Push the left drawer side **7** and right drawer side **8** onto the back of the drawer front **6**.

Turn the small locking nuts **F** on the left drawer side **7** and right drawer side **8**.

Note: Turn the locking nuts **F** clockwise to secure panels - more than 1/2 a turn.



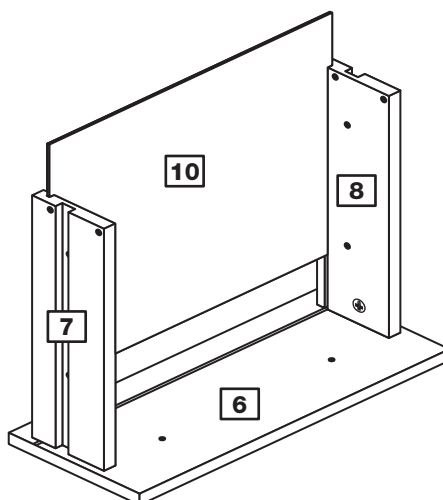
Note: The locking nuts can be on either surface of the drawer sides. Make sure that the small groove is on the inside, as shown.

Assembly Instructions

Step 4

Fit the drawer base

Slide the drawer base **10** down the grooves in the drawer sides **7** and **8** and down into the groove in the drawer front **6**.



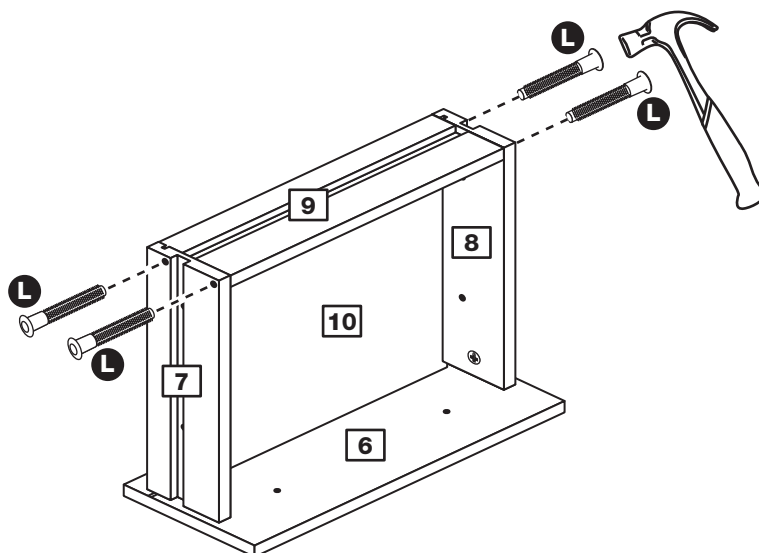
Step 5

Fit the drawer back

Fit the drawer back **9** between the drawer sides **7** and **8**.

Make sure that the drawer base **10** fits into the groove in the drawer back **9**.

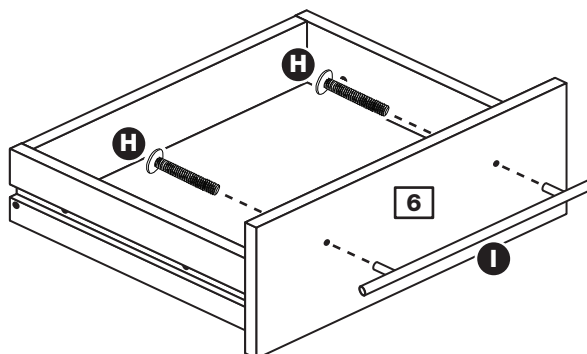
Hold the drawer back **9** in position and tap the knock-in pegs **L** through the holes in the drawer sides **7** and **8**.



Step 6

Attach the handle

Attach the handle **I** to the drawer front **6** using 2 screws **H**.



Assembly Instructions

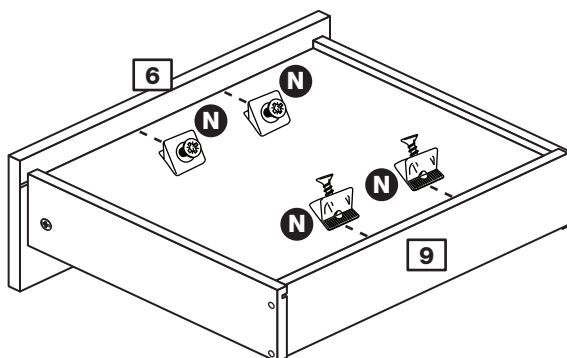
Step 7

Fit the wedgexes

Turn the drawer assembly over and fit the 4 wedgexes **N**.

Slide 2 wedgexes **N** into the small groove located on the back of the drawer front **6** and 2 wedgexes **N** into the small groove in the drawer back **9**.

Once in place, tighten up the screws in the wedgexes **N**.



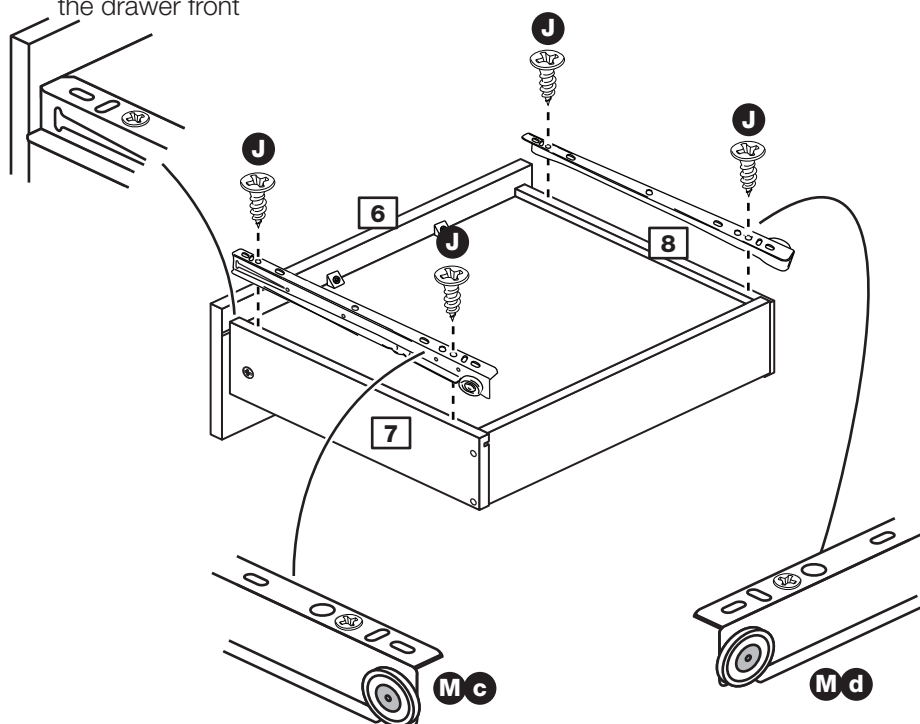
Step 8

Fit runners to the drawer

Fit the runner **Mc** to the bottom edge of the left drawer side **7**, as shown, making sure that it is pushed up against the back of the drawer front **6**. Use a bradawl to mark the fixing positions, then secure with 2 screws **J**.

Fit the runner **Md** to the bottom edge of the right drawer side **8** using the same method.

Runners must be pushed up against the drawer front



Assembly Instructions

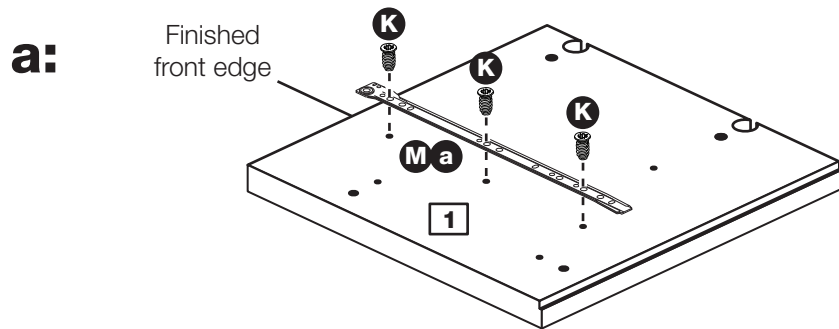
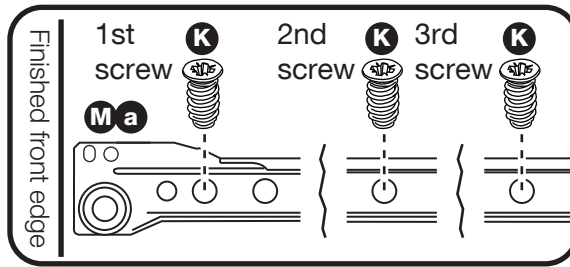
Step 9

Prepare the left side

a: Fit the runner **Ma** to the left side **1**.

The 1st screw **K** uses the 2nd hole in from the front of the runner **Ma**.

The 2nd and 3rd screw **K** use the holes that line up with the other panel holes.



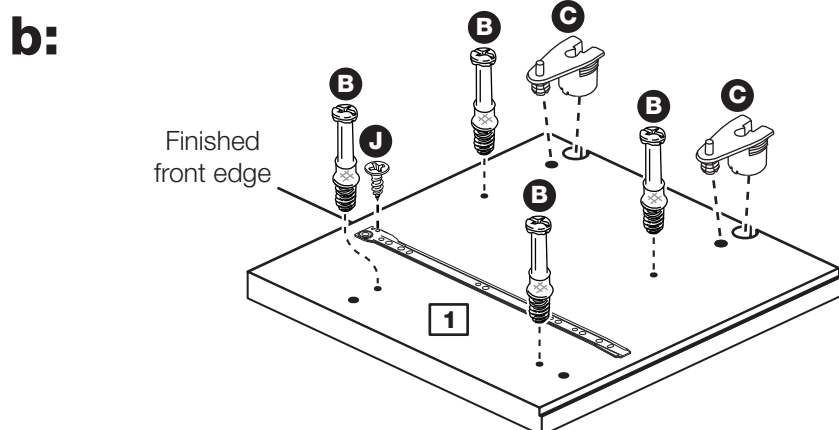
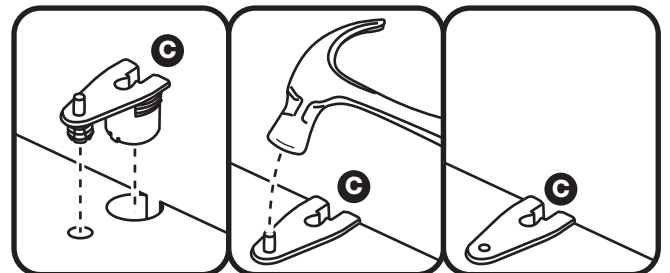
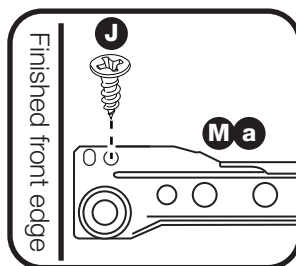
b: Fit a screw **J** into the 2nd hole in at the top of the runner **Ma**.

Push 2 hollow core locking nuts **C** into the left side **1**, making sure that they are flush against the panel's surface.

Using a hammer, tap in the pin on the hollow core locking nut **C**.

Note: The pin should be tapped in flush with the top surface of the hollow core locking nut **C**.

Screw 4 metal dowels **B** into the holes on the left side **1**.



Assembly Instructions

Step 10

Prepare the right side

a: Fit the runner **M b** to the right side **2**.

The 1st screw **K** uses the 2nd hole in from the front of the runner **M b**.

The 2nd and 3rd screw **K** use the holes that line up with the other panel holes.

b: Fit a screw **J** into the 2nd hole in at the top of the runner **M b**.

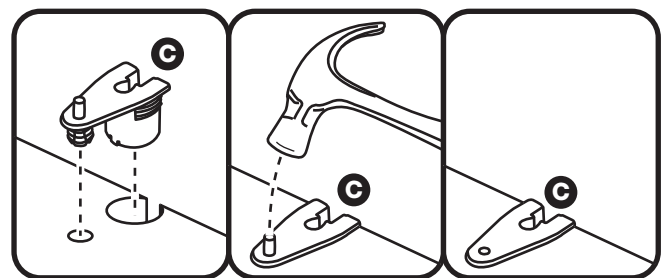
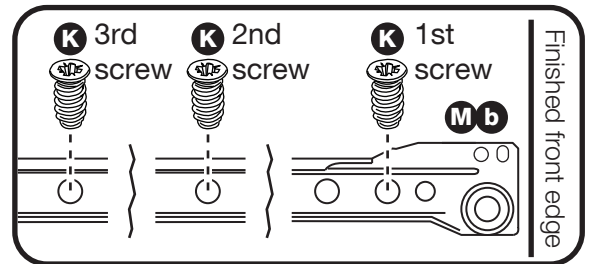
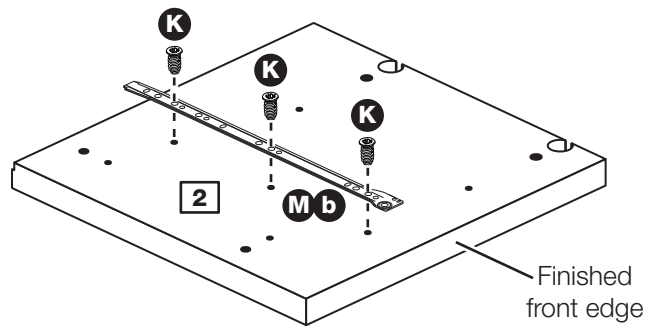
Push 2 hollow core locking nuts **C** into the right side **2**, making sure that they are flush against the panel's surface.

Using a hammer, tap in the pin on the hollow core locking nut **C**.

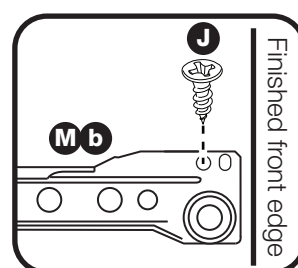
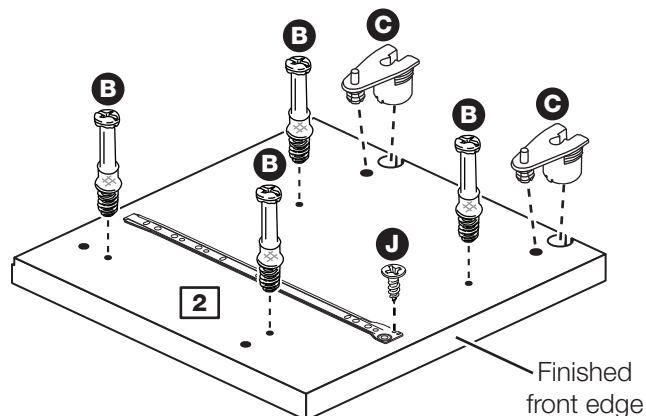
Note: The pin should be tapped in flush with the top surface of the hollow core locking nut **C**.

Screw 4 metal dowels **B** into the holes on the right side **2**.

a:



b:



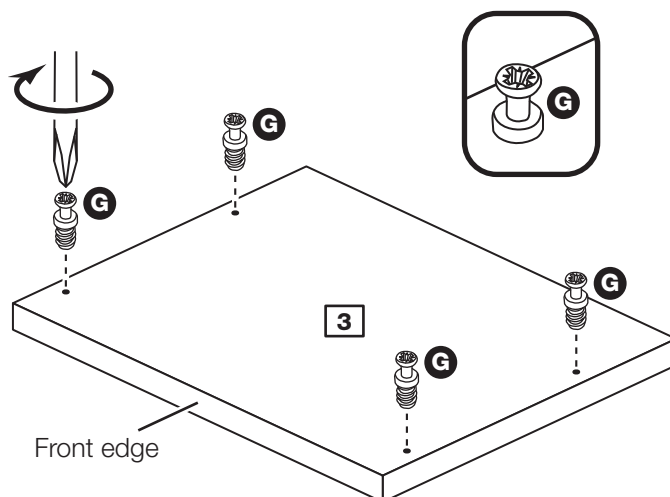
Assembly Instructions

Step 11

Prepare the top

Screw 4 small metal dowels **G** into the holes on the top **3**.

Note: Tighten metal dowels up fully against the panels.



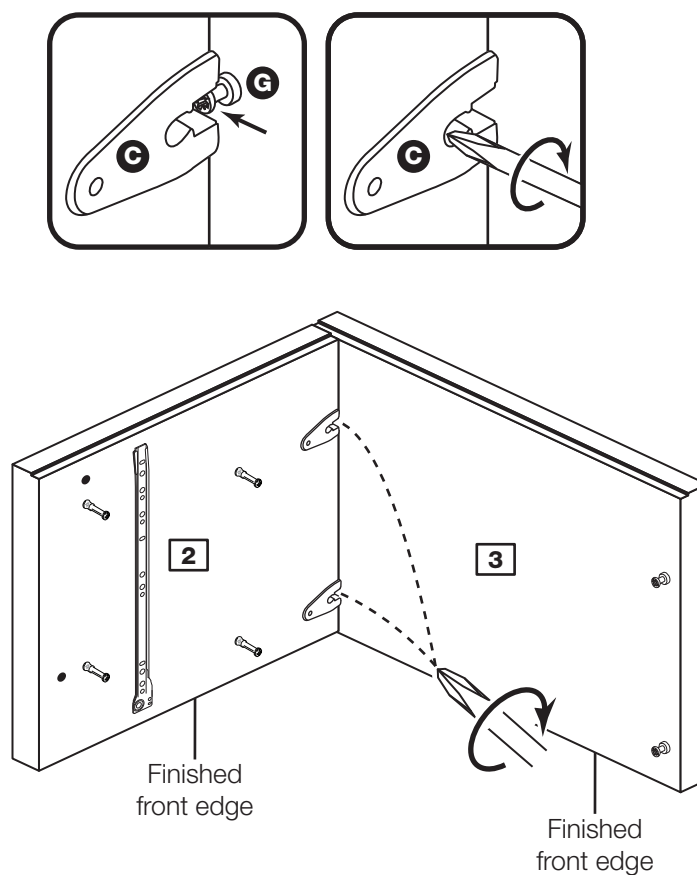
Step 12

Fit the top to the right side

Attach the top **3** to the right side **2**.

Note: You will need to slide the 2 small metal dowels **G** into the top of the 2 hollow core locking nuts **C**.

Insert a screwdriver into the 2 hollow core locking nuts **C** and turn the nuts inside as far as they will go.



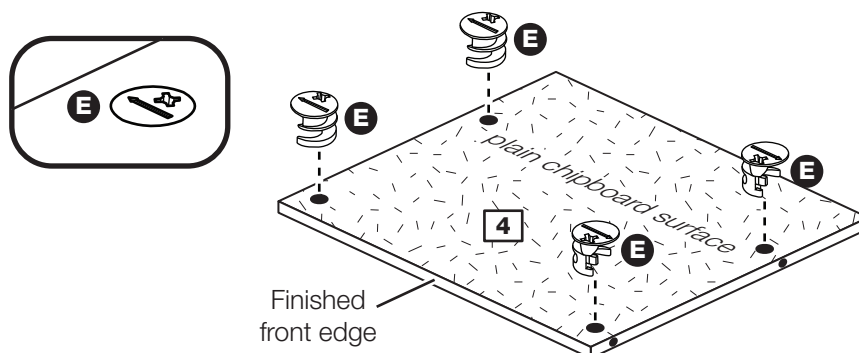
Assembly Instructions

Step 13

Prepare the horizontal

Insert 4 large locking nuts **E** into the horizontal **4**.

Note: The arrow on the locking nuts **must** point towards the hole in the edge of the panel.



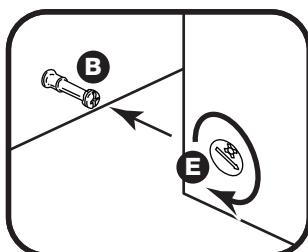
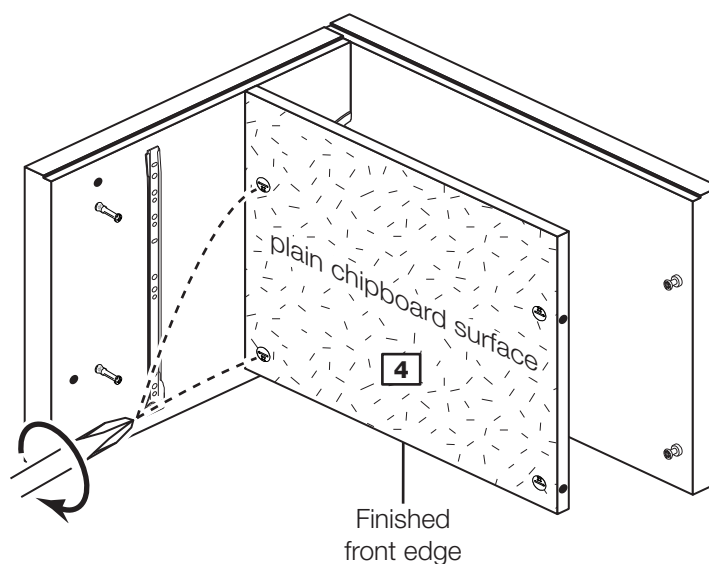
Step 14

Fit the horizontal

Push the horizontal **4** onto the right side **2**.

Use a screwdriver to tighten the 2 large locking nuts **E** fitted to the horizontal **4**.

Note: Turn the large locking nuts **E** as far as they will go - more than 1/2 a turn.



Assembly Instructions

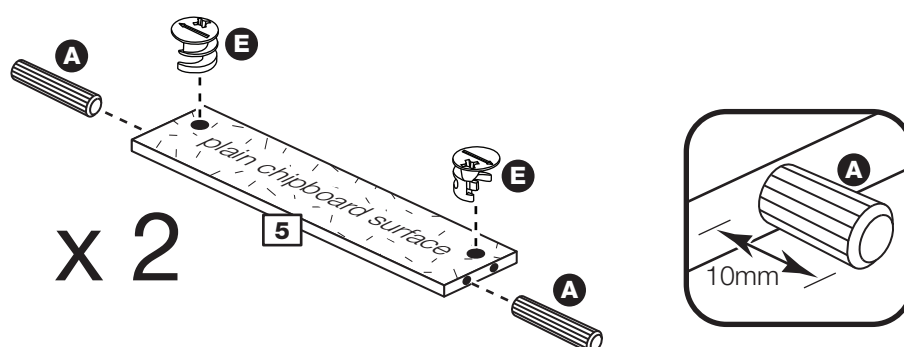
Step 15

Prepare the 2 plinths

Tap 2 wooden dowels **A** into each of the 2 plinths **5**.

Note: Wooden dowels **must not** stick out from the edge by more than 10mm or they may damage other panels.

Insert 2 large locking nuts **E** into each plinth.



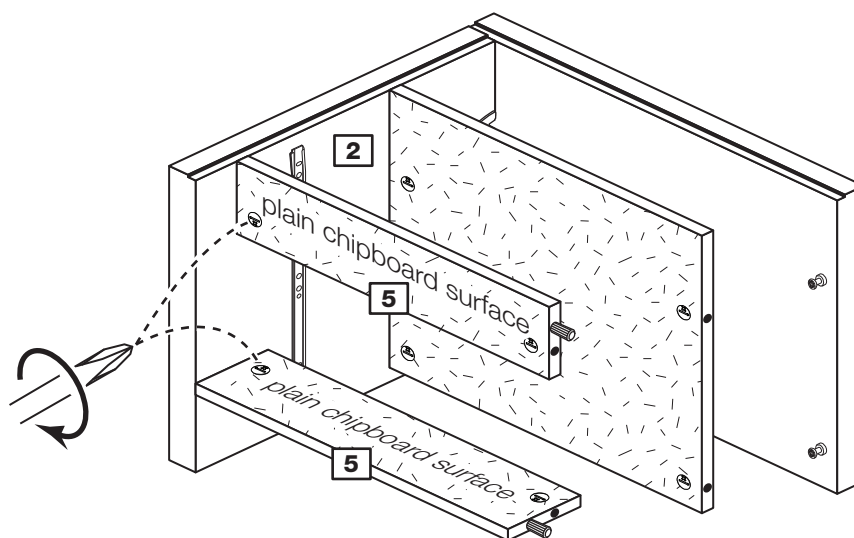
Step 16

Fit the 2 plinths

2 people are needed here

One at a time, attach each of the 2 plinths **5** onto the right side **2** as shown. Use a screwdriver to tighten the 2 large locking nuts **E** fitted to the plinths.

Note: Turn the large locking nuts **E** as far as they will go - more than 1/2 a turn,



Note: Support the plinths until the left side has been fitted in the next step.

Assembly Instructions

Step 17

Fit the left side

2 people are needed here

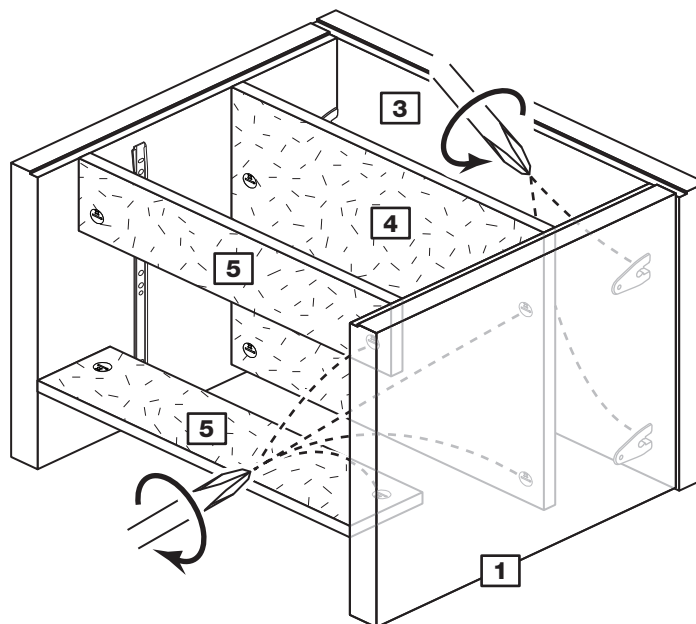
Push the left side **1** onto the assembly.

Note: You will need to slide the 2 small metal dowels **G** fitted to the top **3** into the top of the 2 hollow core locking nuts **C**.

Insert a screwdriver into the 2 hollow core locking nuts **C** and turn the nuts inside as far as they will go.

Use a screwdriver to tighten the 4 large locking nuts **E** fitted to the horizontal **4** and the 2 plinths **5**.

Note: Turn the large locking nuts **E** as far as they will go - more than 1/2 a turn.



Assembly Instructions

Step 18

Fit the back

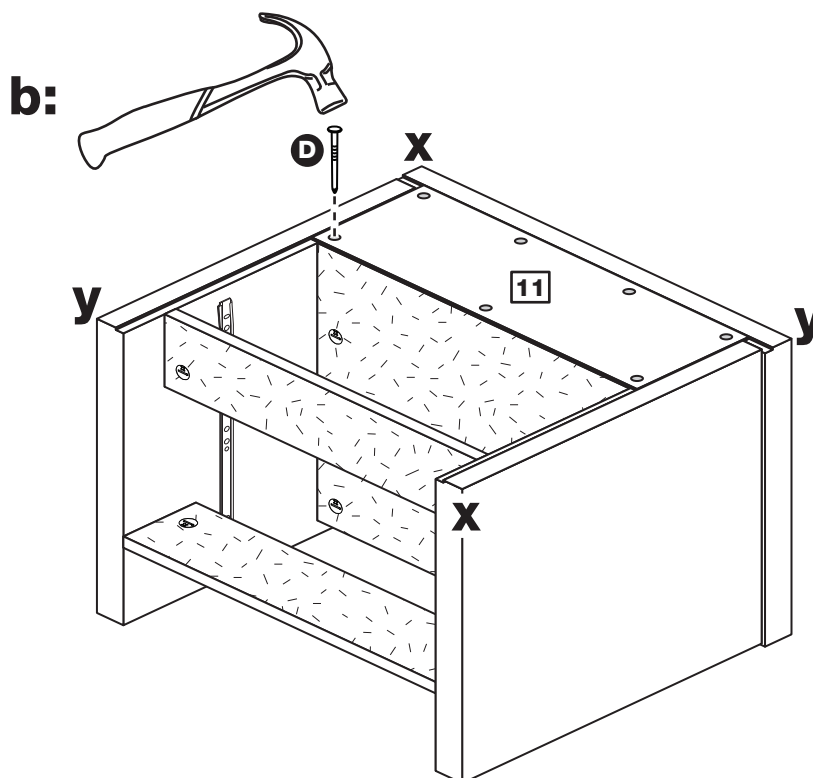
a: Square up the unit by making sure that measurement **x to x** equals **y to y**.

b: Place the back **11** onto the unit.

Nail **D** around the outside edges of the back **11**.

Stand the unit up for the next step.

a: The measurement from top corner X to bottom corner X must be equal to the measurement from top corner Y to bottom corner Y

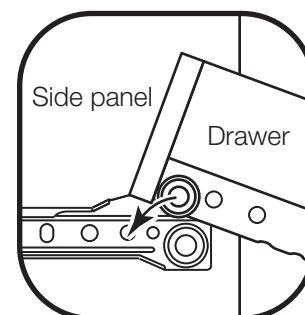
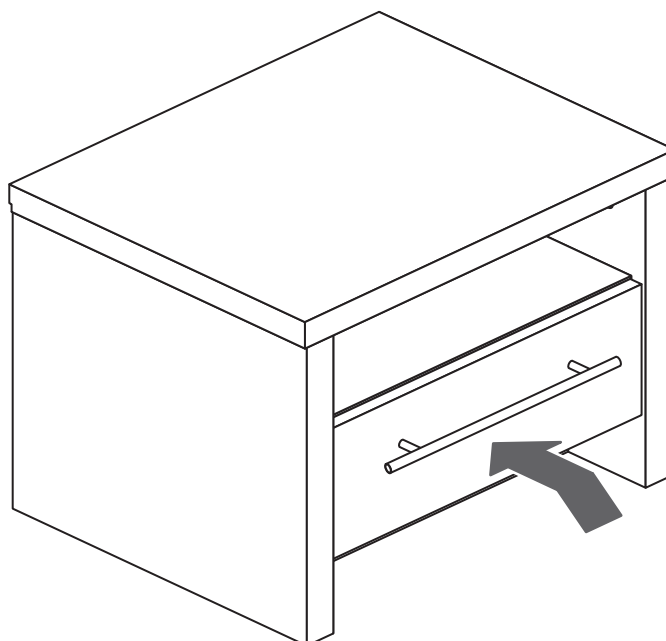


Step 19

Fit the drawers

Slide the wheels of the runners fitted to the drawers, over the wheels of the runners fitted to the side panels and push the drawers into position.

Assembly is complete



If you need help or have damaged or missing parts, call the Customer Helpline: 08456 400800 and quote the reference numbers on the component pages.

Argos Ltd, 489-499 Avebury Boulevard, Central Milton Keynes, MK9 2NW

