

USE INSTRUCTIONS



STORAGE AND NOTICE

- ※ Return pump, Car charge, AC adapter and nozzles to package when not in use.
- ※ Specific requirement is required for the pump as follow.
- ※ When the batteries are charging, the pump can not be used to deflate or inflate.
- ※ The battery must be removed from the air pump before it is scrapped.
- ※ The air pump must be disconnected from the supply mains when removing the battery.
- ※ The battery is to be disposed safely.

Technical Data

Model No	HT-338
Material	ABS
Power	60W (max)
Input Volt	AC 230V - 240V or DC 12V
Pressure	0.52PSI (When fully charged)
Airflow	400L/Min (When fully charged)

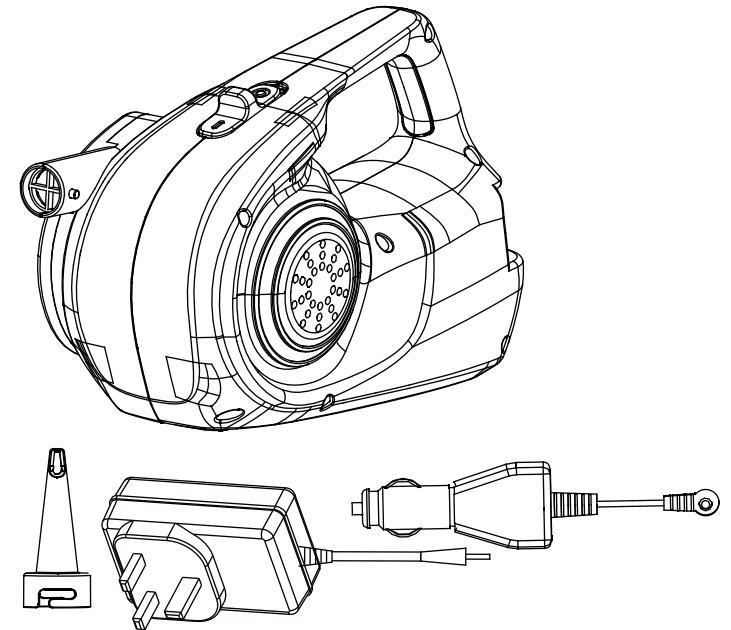


Where possible recycle unwanted materials instead of disposing of them as waste. All parts and packaging should be sorted, taken to a recycling center and disposed of in an environmentally friendly manner.

Produced for Argos Limited
489 - 499 Avebury Boulevard
Central Milton Keynes
MK9 2NW

Trespass Premium Rechargeable pump

Read following instructions and warnings before use - Please keep for future reference



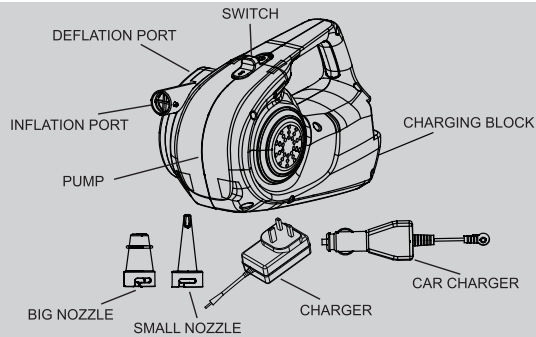
HT-338

IMPORTANT

1. Read these instructions carefully and familiarise yourself with the procedure before assembling the unit.
2. Check that you have all the component parts following the list on the next page and familiarise yourself with each part before proceeding.

IMPORTANT SAFETY INSTRUCTIONS

Read all instruction before use and keep for future reference.



1 IMPORTANT

The batteries should be recharged immediately after it weakens. Please do not lay the pump aside without power for a long time, otherwise the batteries cannot be recharged again.

- ※ This pump must be charged for 10 - 12 hours (with AC charger) or 2 hours (with Car charger) prior to initial use and all subsequent recharges.
- ※ Use only the AC charger provided with this air pump to charge the batteries. Otherwise the life expectancy of the batteries will be reduced.
- ※ The batteries are permanently sealed and cannot be removed or replaced.
- ※ Do not dispose of air pump and its batteries in fire. Check your local regulations for proper disposal instructions.
- ※ This air pump is not intended for use young children or infirm persons unless they have been adequately supervised by guardian to ensure that they can use air pump safely.
- ※ Please charge pump with its original AC/DC charger, otherwise will destroy the pump.

2 WARNING

- ※ Do not use under wet conditions.
- ※ Do not attempt to put any objects into the inflation or deflation connector in any time.
- ※ To reduce the risk of electric shock, do not expose to rain. Store indoors.
- ※ Risk of injury-Do not direct air stream at face or body.
- ※ Do not drop unit into water. Serious injuries or death by electrocution may result.

3 TO CHARGE BATTERY

*Please take the RED charger stopper out from the pump before charging and using.

A-1 RECHARGE THE BATTERIES WITH AC CHARGER

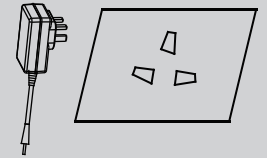
A-1.1 Plug in the AC charger power cord into the pump.

USE INSTRUCTIONS

A-1.2 Plug in the AC charger into an AC electrical outlet.

A-1.3 Press “⊙” to recharge the batteries. Fully charged 10~12 hours before use.

A-1.4 Once the batteries are fully charged, unplug line cord from power source.



A-2 RECHARGE THE BATTERIES WITH DC POWER SOURCE:

A-2.1 Start the car engine.

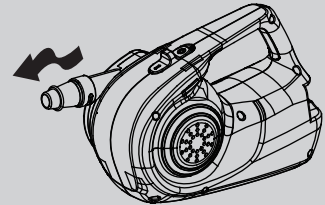
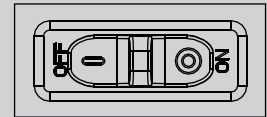
A-2.2 Plug in the car charger into a car cigaret lighter outlet and the other end into the pump.

A-2.3 Press “⊙” to recharge the batteries. Fully charged 2 hours before use.

A-2.4 Once the batteries are fully charged, unplug line cord from power source.

4 TO INFLATE ITEMS

- ※ Join nozzle to inflation port.
- ※ Then hold pump against valve of inflatable item and switch on for inflation/switch off for stop. (the symbol “-” on the switch means “ON”, “0” means “OFF”).
- ※ The valve of inflatable item should not be obstructed, otherwise, it could overheat and damage the pump.
- ※ Never use the deflation vent when inflating the item.
- ※ On large items like inflatable boat, king size air mattress, the pump should fit directly to the valve of inflatable item for fast inflation. Use the appropriate nozzle for small valve, such as single-size air mattress, etc.



5 TO DEFLATE ITEMS

- ※ Open the valve of inflatable item.
- ※ Join nozzle to deflation port through the deflation vent, then insert it in the valve and switch on for deflation / switch off for stop. (the symbol “-” on the switch means “ON”, “0” means “OFF”).
- ※ The valve of inflatable item should not be obstructed: otherwise, it could overheat and damage the pump.
- ※ For small valve of inflatable item, it may be pinched with your fingers to open the flapper of valve and allow the air to escape.
- ※ For quickly inflating the item with screw valve, unscrew the safe bolt, then inflate directly with the pump. When finishing, screw the safe bolt, then remove the top of the safe bolt for fully inflating the item: for deflation, unscrew the safe bolt to deflate directly.

