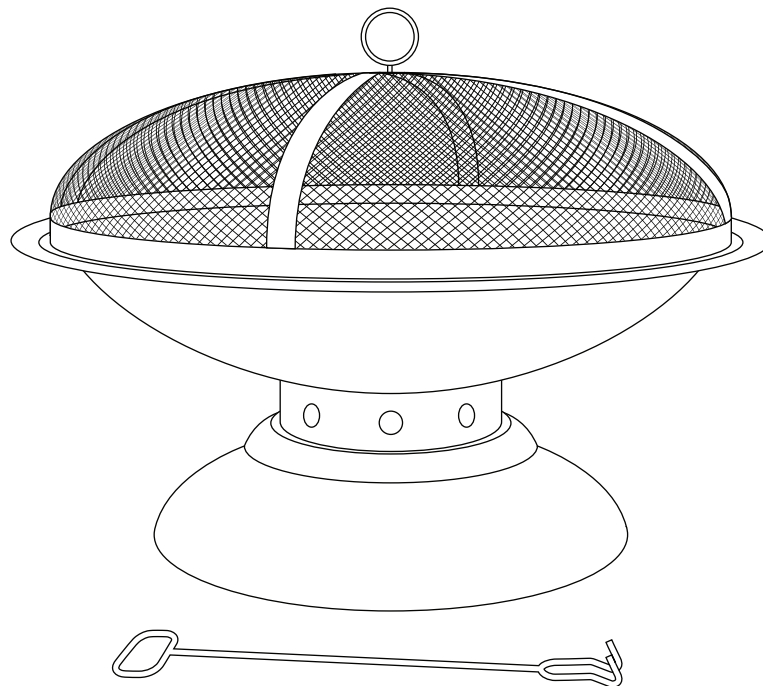


La Hacienda Steel Firepit

User Instructions - Please keep for future reference

56177
304/5000



WARNING

CARBON MONOXIDE HAZARD



Danger of carbon monoxide poisoning - **NEVER** light this product or let it smoulder or cool down in confined spaces.

Tools required (not included)



IMPORTANT – Carefully remove any packaging before use, but retain the safety instructions.

These instructions form part of the product.

Please take note of all of the safety warnings listed in these instructions.

Please read these instructions in their entirety and retain them for future reference.

These instructions should be stored with the product.

This product is for domestic use **ONLY** and should not be used commercially or for contract purposes.

Produced in China for La Hacienda Ltd

Hangar 27, Site C, Aston Down Airfield, Nr Stroud, Glos, GL6 8HR, UK

If you have damaged or missing parts, call the La Hacienda customer helpline: 03451 306192

www.lahacienda.co.uk

Care and safe use guidelines

WARNING!

- This product is intended **FOR OUTDOOR USE ONLY. DO NOT USE INDOORS.**
- **WARNING!** - Keep children and pets away.
- **NEVER** leave a burning fire unattended.
- **DANGER** of carbon monoxide poisoning - **NEVER** light this product or let it smoulder or cool down in confined spaces.
- **DO NOT** use this product in a tent, caravan, car, cellar, loft or on a boat.
- **DO NOT** use under any awnings, parasols or gazebos.
- **FIRE HAZARD** – Hot embers may emit while in use.
- **WARNING!** - **DO NOT** use petrol, white spirit, lighter fluid, alcohol or other similar chemicals for lighting or relighting! **ONLY** use firelighters that comply to EN:1860-3.
- This product is **ONLY** suitable for use with untreated wood, logs, Easylogs or La Hacienda HeatBlox.
- **DO NOT** use coal or charcoal in this product.
- **DO NOT** use this product on decking or any other flammable surfaces such as dry grass, wood chips, leaves or decorative bark.
- Ensure that the product is positioned at least 2m away from flammable items. Also ensure that there is a minimum overhead clearance of 2m from the top of the unit.
- **DO NOT** use this product as a furnace - **ONLY** use as a patio heater.
- **WARNING!** - This product will become very hot. **DO NOT** move it during operation.
- **ALWAYS** use heat resistant gloves (not supplied) when handling the product.
- This product is **NOT** intended for cooking or heating food.

CARE & USE

- Ensure that the product is positioned on a permanent flat, secure, heat resistant, non-flammable surface away from flammable items.
- Ensure that the product has a minimum of 2m overhead clearance and has a minimum of 2m clearance from other surrounding items.
- Decide on the location as above. The assembled product must **NOT** be moved whilst in use. If it is necessary to move it once it has cooled, please lift (do not drag) the product across the floor.
- Ensure the model is stable prior to use and does not wobble.
- The unit may be left outside all year if a weatherproof cover is used to protect it from bad weather.
- As this model is made from steel, the surface will age and develop surface rust as soon as it is placed outside and from first use. This is to be expected, does not affect use and is not a product fault. Please see below instructions on how to refresh the paint finish if desired.
- To help reduce surface rust, rub the product with an oily rag after each use.
- For safety reasons, always inspect your product prior to use for signs of fatigue and damage, and replace your model as and when necessary. Continuing to use a damaged unit could cause personal injury or damage to property.
- **ALWAYS** use heat resistant gloves (not supplied) during use and when adding fuel.

LIGHTING & REFUELLING

- This product is **ONLY** suitable for use with untreated wood, logs, Easylogs or La Hacienda HeatBlox.
- Prepare a stack of loosely crumpled newspaper and place on top of the log grate.
- Pile finely split dry firewood or kindling on top of the paper.
- To light the newspaper, use long safety matches or a long nosed lighter.
- Once sufficiently alight, add logs or larger pieces of untreated wood to the unit to increase the heat slowly.
- **DO NOT** overload with fuel, only one or two logs is sufficient.
- **ALWAYS** use heat resistant gloves (not supplied) when adding fuel and handling the mesh cover, as the unit will become very hot.
- Always use heat resistant gloves and the tool provided to remove the mesh cover as this will become very hot during use.

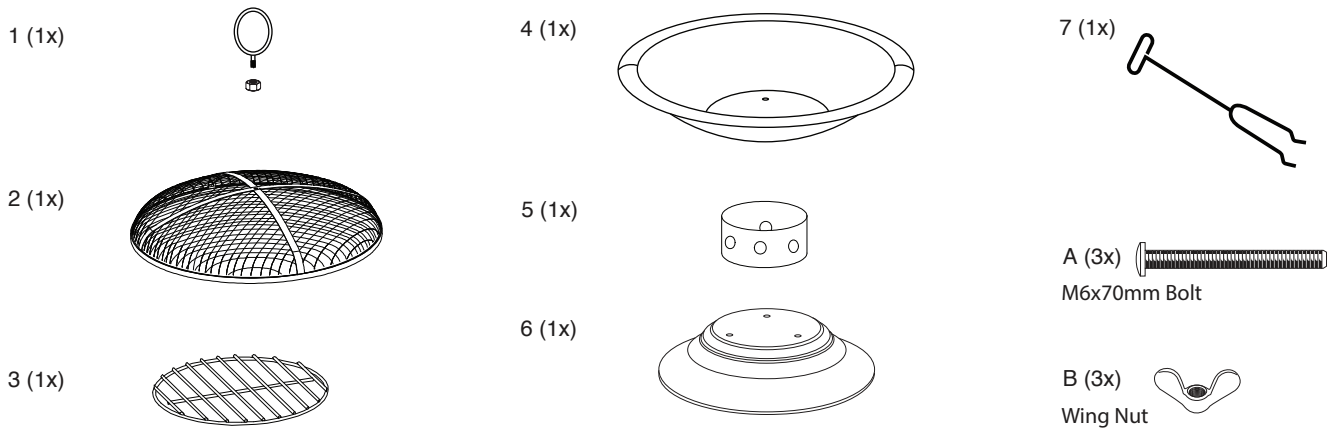
EXTINGUISHING

- To extinguish – stop adding fuel and allow fire to die or douse with sand. **DO NOT** use water as this may damage the product.

STORAGE

- When not in use, and if stored outside, cover the product once it has cooled completely with a weatherproof cover.
- Remove loose paint and rust with a wire brush when needed and re-paint the product using La Hacienda High Temperature Paint.

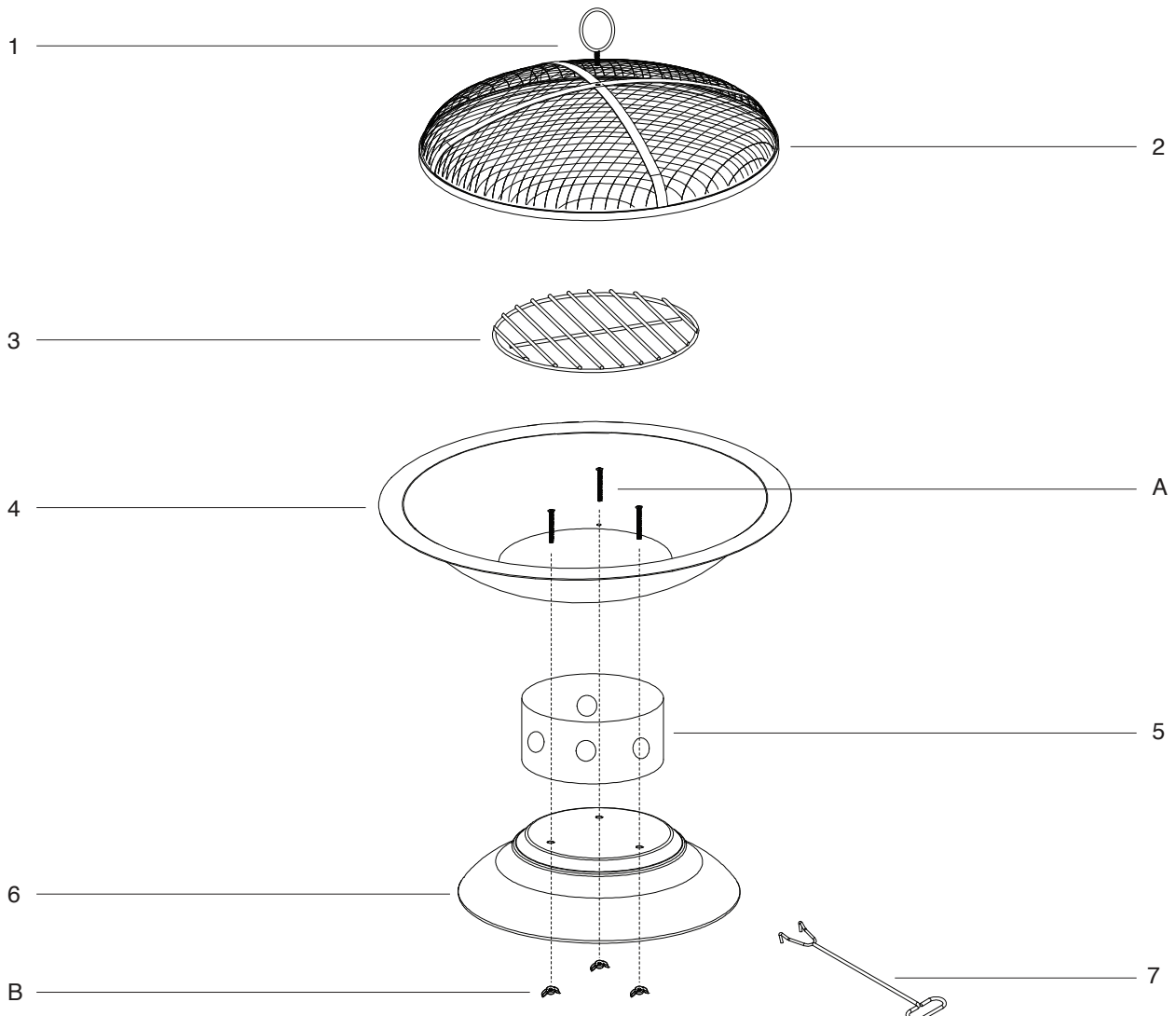
Parts list



Prior to assembly, read the instructions carefully. Check all parts against the parts list. Carry out assembly on a soft surface to avoid scratching the paint. Please retain this information for future reference. For ease of assembly only loosely tighten bolts and then tighten fully when assembly is complete. Periodically check that fixings are secure prior to use.

WARNING - DO NOT over tighten bolts; only tighten with moderate pressure to avoid damaging the bolts or components of the product.

Assembly diagram



Assembly instructions

IMPORTANT - Remove any packaging before use, but retain the safety instructions and store them with this product.

ASSEMBLY

STEP 1 - Connect firepit (4), middle section (5) and the base (6) with 3x M6 x 70mm bolts (A) and 3x wing nuts (B)

STEP 2 - Place log grate (3) into the firepit (4).

STEP 3 - Secure the ring handle (1) to the mesh lid (2) using the pre-attached nut.

STEP 4 - Place the mesh lid (2) onto the firepit (4) using the metal tool (7).

The firepit is now ready to use but please ensure you have read these instructions thoroughly prior to use.