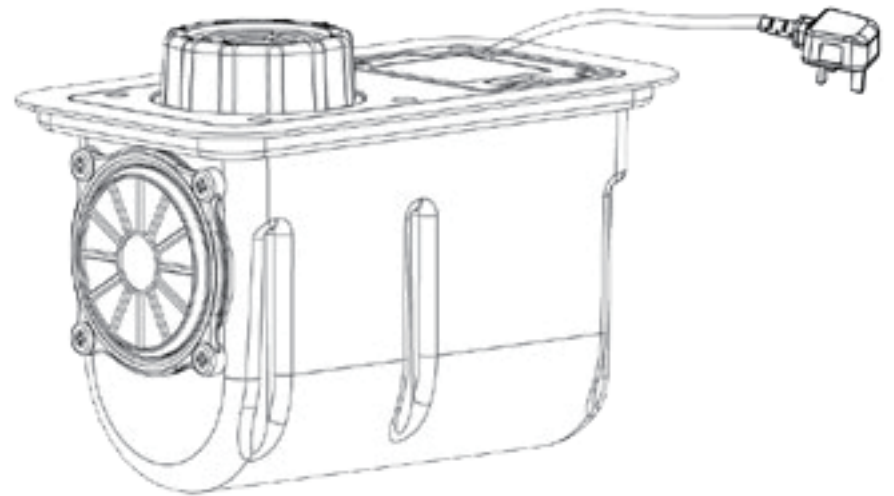


ELECTRIC AIR PUMP

Read following instructions and warnings
before use – please keep for future reference



HT-628 AC220-240V

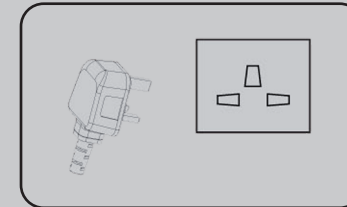
IMPORTANT

Read these instructions carefully and familiarise yourself with the
procedure before use

IMPORTANT SAFETY INSTRUCTIONS

Read all instruction before use and keep for future reference.

1 IMPORTANT



- * Power supply must be AC 220V ~ 240V
- * This pump is not designed for continuous use
- * Extended operation over 5 minutes can overheat and damage the pump
- * Keep the air pump out of the reach of children
- * Do not obstruct the inflation / deflation port and keep them ventilated all the time
- * To reduce the risk of fire or electric shock, do not use this fan with any solid – state speed control device.
- * Unplug from outlet when not in use and before cleaning or servicing
- * This appliance has a polarized plug. To reduce the risk of electric shock, this plug is intended to fit in a polarized outlet only one way, if the plug does not fit fully in the outlet, reverse the plug. If it still does not fit contact a qualified electrician, Do not attempt to defeat this safety feature
- * This pump have limiting temperature protection, when the pump working long time, it will lead to overheat and stop working to protect the pump. Please take a break for 30 minutes before you next use.

CE



Where possible recycle unwanted materials instead of disposing of them as waste. All parts and package should be sorted, taken to a recycling center and disposed of in an environmentally friendly manner.

IMPORTANT SAFETY INSTRUCTIONS

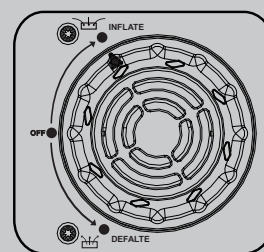
2 WARNING

- ✦ To reduce the risk, contact qualified electrician to repair or replace the damage cord immediately
- ✦ Carefully follow the instruction on inflatable item when inflating
- ✦ Never exceed recommended pressure, otherwise, serious injury might be caused by the bursting item
- ✦ Never leave pump unattended while the pump is in use
- ✦ Do not keep / use the pump in wet condition
- ✦ Never allow sands, small rocks, etc. to be sucked into inflation / deflation port when using the pump
- ✦ Never look inside or point the inflation / deflation port towards eyes when the pump is working
- ✦ Stop at least 30 minutes after continuous use for 5 minutes
- ✦ To reduce the risk of fire or electric shock, do not use this fan with any solid - state speed control device
- ✦ Never attempt to put hand or fingers into the inflation / deflation port at any time
- ✦ Do not disconnect the pump with wet hands and do not to force the supply cord
- ✦ Do not move the pump with aid of supply cord
- ✦ If the pump is not used, please turn off
- ✦ Do not use or stop the use if the pump is damaged, especially the supply cord and the case
- ✦ The airbed may be wiped clean using a mild cleaning solution and a damp cloth. Do not use bleach. Do not use harsh or abrasive cleaners.
- ✦ A periodically maintenance of the pump is necessary
- ✦ The airbed do not put down near hot surfaces, eg. hotplate, oven etc. Because the material can smelt
- ✦ The pump should not be impeded by covering the ventilation openings with items, such as newspaper, table - cloths, curtains, etc.

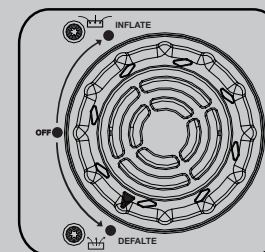
USE INSTRUCTIONS

3 TO INFLATE ITEMS

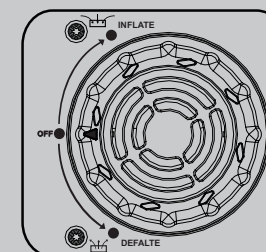
✦ Open the wire box cover, connect power plug into AC 220V - 240V power supply. Turn the arrow to INFLATE port (FIG1), then the pump starts to work. After the air bed fully inflated, turn off the switch. Make sure the arrow at "OFF" when close (FIG3). In order to avoid the wire breakage, please put the wire into the box after using.



(FIG1)



(FIG2)



(FIG3)

4 TO DEFLATE ITEMS

✦ Open the wire box cover, connect the power plug into AC 220V - 240V power supply. Turn the arrow to DEFLATE port (FIG2), then the pump starts deflate. Turn off the switch after deflating. Make sure the arrow at "OFF" when close (FIG3). In order to avoid the wire breakage, please put the wire into wire box after using.

Technical Data

Model No	HT - 628
Material	ABS
Power	130W
Input Volt	AC 220V - 240V
Pressure	0.46PSI
Airflow	350L/Min



Guarantor: Argos Limited
489 - 499 Avebury Boulevard
Central Milton Keynes
MK9 2NW