

SOVEREIGN 1000W Electric Rotary Mower

2966056
(Model: ME1031M)

Instruction Manual



After Sales Support

UK/Ireland
Web

0345 640 0800
www.argosspares.co.uk

Important - Please read these instructions fully before starting assembly

These instructions contain important information that will help you get the best from your mower, ensuring it is assembled correctly and safely.

If you need help or have damaged or missing parts, call the Customer Helpline on 0345 640 0800.

Contents

Safety Information.....	3
Warnings Symbols.....	3
General Safety.....	5
Personal Safety.....	6
Operating and Maintenance Safety.....	11
In the Box.....	13
Parts.....	13
Assembly.....	14
Step 1 - Handle Assembly.....	14
Step 2 - Grass Collector Assembly.....	15
Operating Instructions & Tips.....	17
Setting the Cutting Heights.....	17
Operation.....	18
Mowing Advice.....	19
Maintenance.....	20
Cleaning & Maintenance.....	20
Blade Maintenance.....	20
Carbon Brushes.....	21
Maintenance and Storage.....	21
Troubleshooting.....	22
General Troubleshooting.....	22
Technical Data.....	23
Technical Data Table.....	23
Disposal.....	23
Disposal and Recycling.....	23
Getting Help.....	23



Safety Information

Important - Please read these instructions fully before starting assembly

Warnings Symbols

The following warning symbols appear throughout this assembly manual and indicate the appropriate safety measures you should take when assembly and operating the mower.



Take extra care, beware of hazards.



Read instruction manual.



Wear eye and ear protection.



Do not use the machine in the rain or leave it outdoors when it is raining.



Pay attention that bystanders are not injured by objects thrown out from the machine.



Keep bystanders a safe distance away from the machine.



Sharp blade. Beware of injury to toes or fingers.



Disconnect from the mains supply before any maintenance work.



Warning. Beware of electric shocks.



Keep the mains supply cord away from the cutting blade.



Safety Information

Important - Please read these instructions fully before starting assembly

Warnings Symbols (continued)



Wait until all moving parts have stopped completely before touching them. The blade may continue to rotate after the machine is switched off, a rotating blade can cause injury.



Noise level specification Lwa in dB.



Protection class II



Do not dispose of electrical equipment in domestic waste.



Cutting width



Important! When using equipment, the following safety precautions must be followed to avoid injuries and damage.

- Read all operating instructions carefully and comply with them. It is important to understand these instructions and to acquaint yourself with the machine, its correct usage and all safety requirements.
- Keep this manual in a safe place so that the information is available at all times.
- If you give the equipment to any other person, give them these operating instructions as well.

We accept no liability for damage or accidents which result from non-compliance with these instructions.



Safety Information

Important - Please read these instructions fully before starting assembly

General Safety

Intended usage

This lawn mower is designed for use in private gardens. The machine is to be used for its prescribed purpose only. Any other use is deemed to be a case of misuse. The user / operator and not the manufacturer will be liable for any damage or injuries of any kind caused as a result of misuse.

Please note that this equipment has not been designed for use in commercial, trade or industrial applications. Your warranty will also be voided if the machine is used in commercial, trade or industrial businesses or for equivalent purposes.

Assembly

The push handles and the grass collector must be fully assembled, undamaged and in correct working order before using the lawn mower.

Follow the operating these instructions step-by-step and use the pictures provided as a visual guide to assemble these parts.

Power supply

Before you connect the equipment to the mains supply ensure that the data on the rating plate corresponds to your mains supply.



Safety Information

Important - Please read these instructions fully before starting assembly

Personal Safety



Note! Only supply power to the equipment through circuit protected by an RCD with a maximum trip current of 30 mA.

- Use only plugs or connectors approved for outdoor usage.
- Extension cables must comply to H07RN-F requirements as described in DIN 57 282/VDE 0282 and must have a minimum cross-section of 1.5 mm². The plug must have an earth and any connection must also be earthed and splashproof. Before use, check the cables for signs of damage and ageing. Never use the mower if the cables are not in perfect condition (this also applies to the supply cable on the mower). If the cable is damaged whilst the mower is working, disconnect the mains plug from the power supply immediately and then check the extent of the damage.
- Never allow children or others who are not familiar with the operating instructions to use the lawn mower. Local regulations may stipulate the minimum age of the user of this type of machinery.
- In areas where the mains supply is weak or bearing a high load, this mower may cause further voltage fluctuations as it starts. In extreme cases, this can cause damage to other equipment working from the same supply. In this case we recommend to temporarily switch off any unneeded equipment or connect it to a different circuit.
- This machine is not designed to be used by people (including children) with limited physical, sensory or mental capacities or those with no experience and/or knowledge unless they are supervised by a person who is responsible for their safety or they have received instructions from such a person in how to use the



Safety Information

Important - Please read these instructions fully before starting assembly

Personal Safety (continued)

machine safely. Children must always be supervised in order to ensure that they do not play with the machine.

- Always check the mower for signs of damage before each usage.
- Always disconnect the mains lead from the electrical supply before carrying out any inspection, servicing or maintenance work.
- Ensure that all the guards are securely fitted and in good working order.
- Check the grass collector at regular intervals for signs of wear and to ensure that it is always in perfect working order.
- Before each use, inspect the mower to check the cutting blade, fastening bolts and the entire cutting unit for any signs of wear or damage. To prevent imbalance or vibration, worn or damaged cutting blades and fastening bolts must always be replaced in full.
- Damaged parts on the mower must be replaced by qualified personnel. Use only genuine spare parts.
- Repair work on the electrical parts of the lawn mower may only be carried out by a qualified electrician.
- Follow the instructions to fit or remove the blade and wear protective gloves.
- The user remains responsible for any injury to third parties within the working area of the lawn mower whilst the lawnmower is being used.
- Only work in good daylight or appropriate and adequate artificial light.
- Never use the mower when you are tired.



Safety Information

Important - Please read these instructions fully before starting assembly

Personal Safety (continued)

- Never run the mower in enclosed or poorly ventilated rooms or if there are inflammable or explosive fluids, vapours or gases nearby.
- Switch off the motor and disconnect the mains lead before clearing blockages in the grass ejection area and before you inspect it if the mower has struck a foreign body.
- Always use the lawn mower with the grass collector correctly fitted.
- Check the site on which you intend to use the lawn mower and remove all objects that may be caught or thrown up by the mower. Foreign bodies must be removed before you start mowing. Keep an eye of the power cable and keep it away from the cutting blade at all times.
- Ensure that you do not push the mower over areas that might damage or snare the power cable.
- Never lift the lawn mower when you start the motor.
- Before you lift the lawn mower to transport it, switch off the motor, disconnect the mains lead and wait until the blade has come to a complete standstill.
- When you start the motor, the lawn mower should not be tilted unless the grass is particularly long. In this case only tilt it up as far as is really necessary and only raise the side that is furthest away from the user.
- Never reach towards rotating parts with your hands or feet. Always keep away from the discharge chute.
- Before you attach or empty the grass collector, switch off the motor and wait until the blade has come to a complete standstill.



Safety Information

Important - Please read these instructions fully before starting assembly

Personal Safety (continued)

- When you start the motor, the lawn mower should not be tilted unless the grass is particularly long. In this case only tilt it up as far as is really necessary and only raise the side that is furthest away from the user.
- Never reach towards rotating parts with your hands or feet. Always keep away from the discharge chute.
- Before you attach or empty the grass collector, switch off the motor and wait until the blade has come to a complete standstill.
- Make sure you keep your feet at a safe distance from the mower blade at all times! Do not stand near the grass ejection chute if the grass collector is not fitted.
- The safety distance from the moving blade produced by the push handle must be maintained at all times.
- If you use the mower on a small incline, mow across the slope (not in an up and down direction). Always be sure of your footing on slopes.
- Be particularly careful when changing direction with the mower whilst working on a slope.
- Do not use the lawn mower on gradients of over 15 degree.
- Ensure that you have safe footing at all times whilst working with the mower.
- Always wear strong, anti-slip footwear and long trousers when using the mower. Never mow in bare feet or in open-toed sandals.



Safety Information

Important - Please read these instructions fully before starting assembly

Personal Safety (continued)

- When the mower is running ensure that no person or pet, particularly children and animals, is in the immediate vicinity of the lawn mower. Ensure that you keep everybody at least 10 meters away from the mower when it is working.
- Switch off the motor and disconnect the plug from the power supply if the mower strikes a foreign body. Check the mower for signs of damage and carry out all necessary repair work before you start the mower again.
- If the lawn mower begins to vibrate abnormally, switch it off immediately, disconnect the plug immediately and check it carefully. Ensure that all the nuts, bolts and screws are tight and that the mower is in a safe condition for use.
- Do not leave the mower out in the rain. The lawn must not be wet or very damp.
- Only push the mower at a normal walking pace.
- Be particularly careful when you change the direction of the mower or pull it towards you. Avoid pulling it towards you while the blade is moving.
- Switch off the mower if it has to be pushed over surfaces other than grass, and when moving the mower to and from the area you wish to mow.
- Carefully actuate the starter switch in accordance with the instructions. (See Operating Instructions)
- Do not switch the mower on and off frequently over a short period of time, and in particular do not play with the ON/OFF switch.
- Do not touch the cutting blade until the machine has been disconnected from the mains and the cutting blade has reached a complete standstill.



Safety Information

Important - Please read these instructions fully before starting assembly

Personal Safety (continued)

- Never lift or carry the mower whilst the motor is running.
- Switch off the motor and disconnect the plug whenever you leave the lawn mower.
- Keep the lawn mower in a dry place which is inaccessible to children at all times.
- Before you adjust or clean the mower or check whether the mains lead is kinked or damaged, switch off the mower and disconnect the plug from the power supply.

Operating and Maintenance Safety



CAUTION! Read all safety requirements and instructions.

Any errors made in following the safety requirements and instruction may result in an electric shock, fire and serious injury.

Keep all safety regulations and instructions in a safe place for future use.

- Do not use the lawnmower if the cords are damaged or worn.
- Do not connect a damaged cord to the mains supply or touch a damaged cord before it is disconnected from the mains supply. A damaged cord could allow parts to become live and cause a risk of electrocution.
- Do not attempt to touch the blades before the machine is disconnected from the supply and the blades have come to a complete stop.
- Keep extension cords away from the blade. The blade can cause damage to cords and lead to contact with live parts.



Safety Information

Important - Please read these instructions fully before starting assembly

Operating and Maintenance Safety (continued)

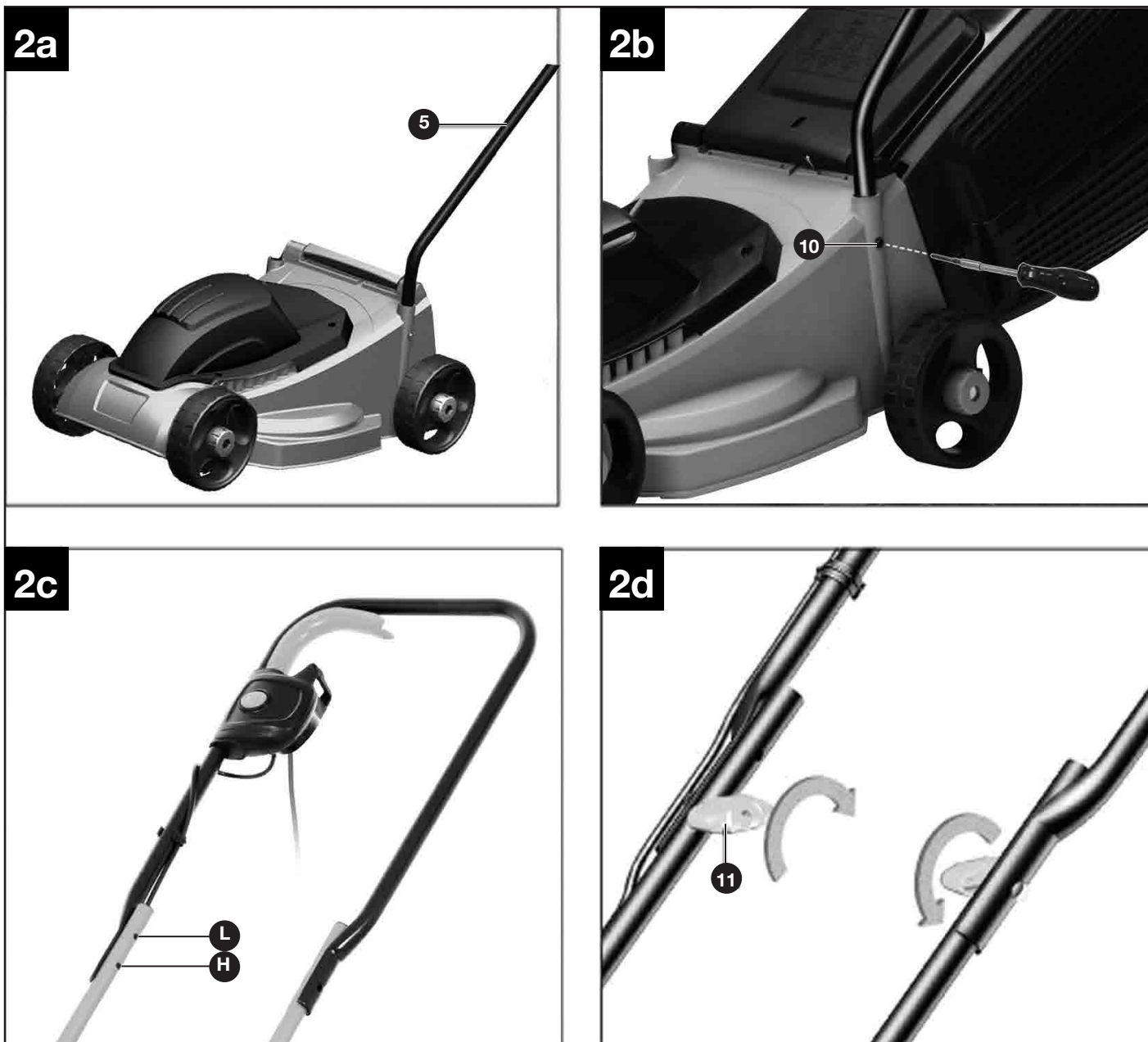


- Disconnect from the mains supply (i.e. remove the plug from the mains socket)
- Disconnect from the mains supply (i.e. remove the plug from the mains socket)

whenever leaving the machine unattended,
before cleaning a blockage,
after striking a foreign object,
whenever the machine starts vibrating abnormally.

Assembly

Step 1 - Handle Assembly



2a-2b. Fit a bottom handle support **5** into the opening provided for it and secure it as shown in Fig. 2b with a screw **10**. Proceed in the same way on the other side.

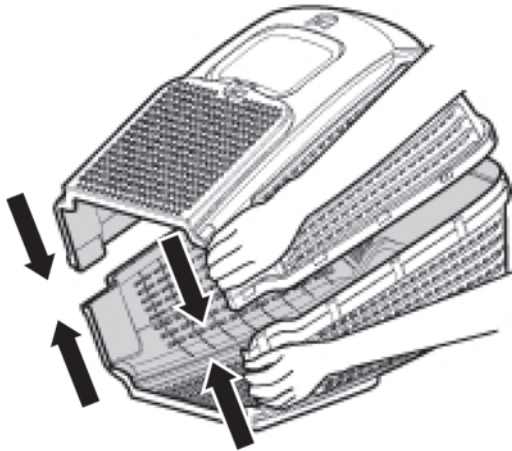
2c. When you fit the top push handle you can decide the height of the push handle by selecting the appropriate fastening hole. Fasten the top push handle using either the holes **L** for a low position or **H** for a high position.

2d. Fasten the top push handle to the bottom handle support as shown in Fig. 2d.

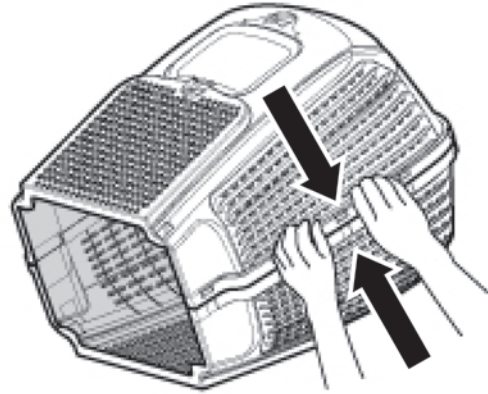
Assembly

Step 2 - Grass Collector Assembly

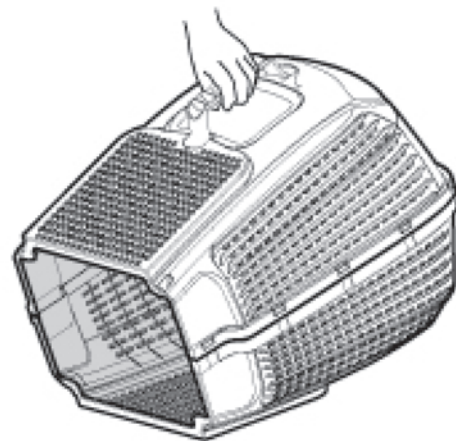
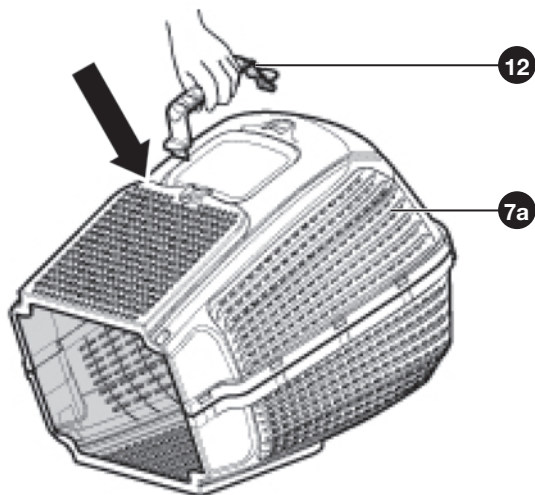
3a



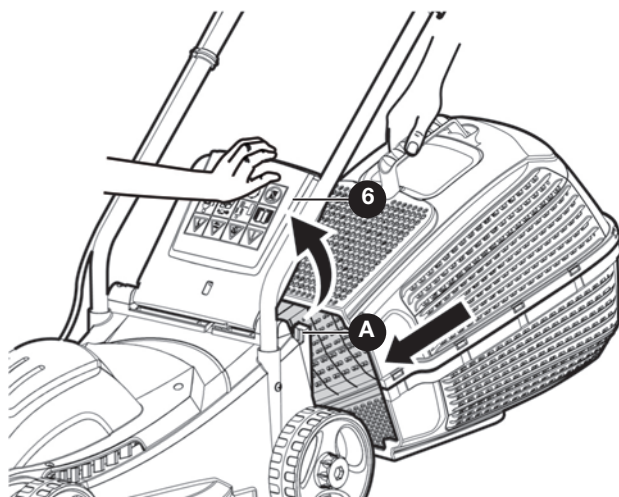
3b



3c



3d



Assembly

Step 2 - Grass Collector Assembly (continued)

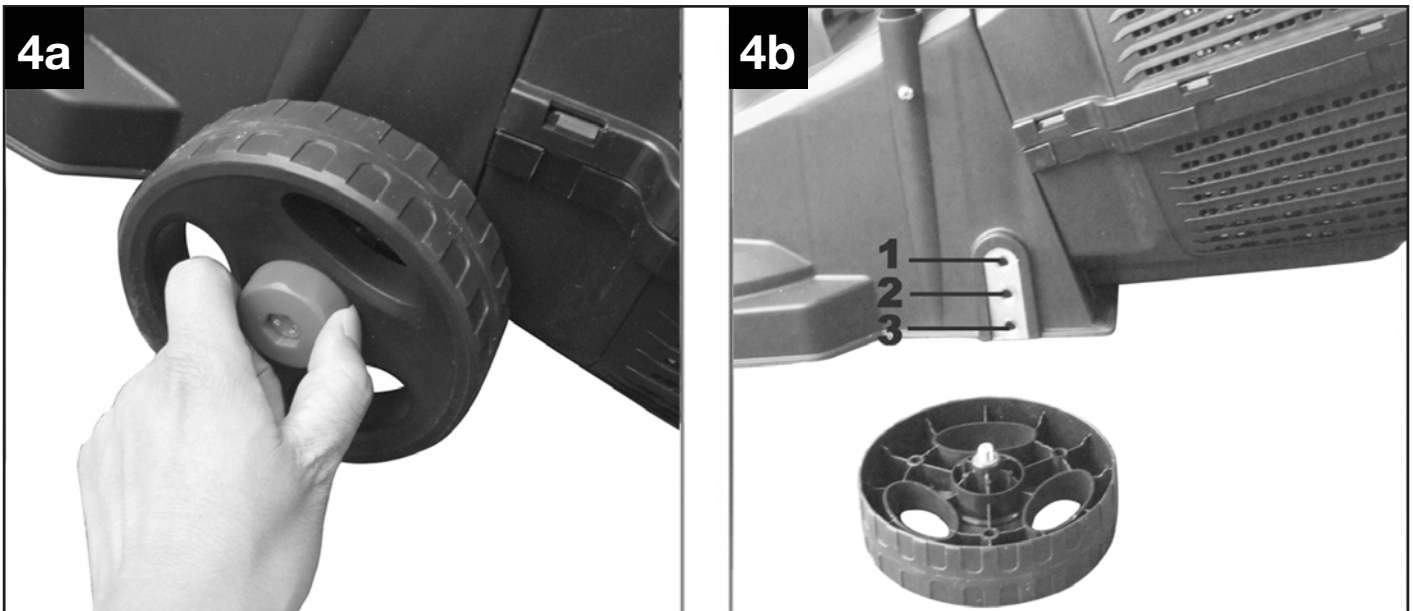
- 3a.** Align the front end of the top half and the bottom half of the grass box. Clip the two halves together starting at the front.
- 3b.** Once the front clips on either side are secure, work back on either side to secure each clip. This method will help to keep the two halves of the box aligned.
- 3c.** Fit the handle **12** into the top half of the grass box **7a**
- 3d.** Before you fit the grass box onto the mower you must ensure that the motor is switched off and the blade is not rotating. The grass box must be attached to the two hooks **A** on the mower. Open the grass deflector **6** with one hand and attach the grass box with the other hand as shown in Fig. 3d. The grass deflector is held against the grass box by a spring.



ATTENTION! Never operate the mower unless the deflector guard and grass collector are fully installed. Risk of injury!

Operating Instructions & Tips

Setting the Cutting Heights



IMPORTANT! Set the cutting height only when the motor is switched off and the power cable has been disconnected.

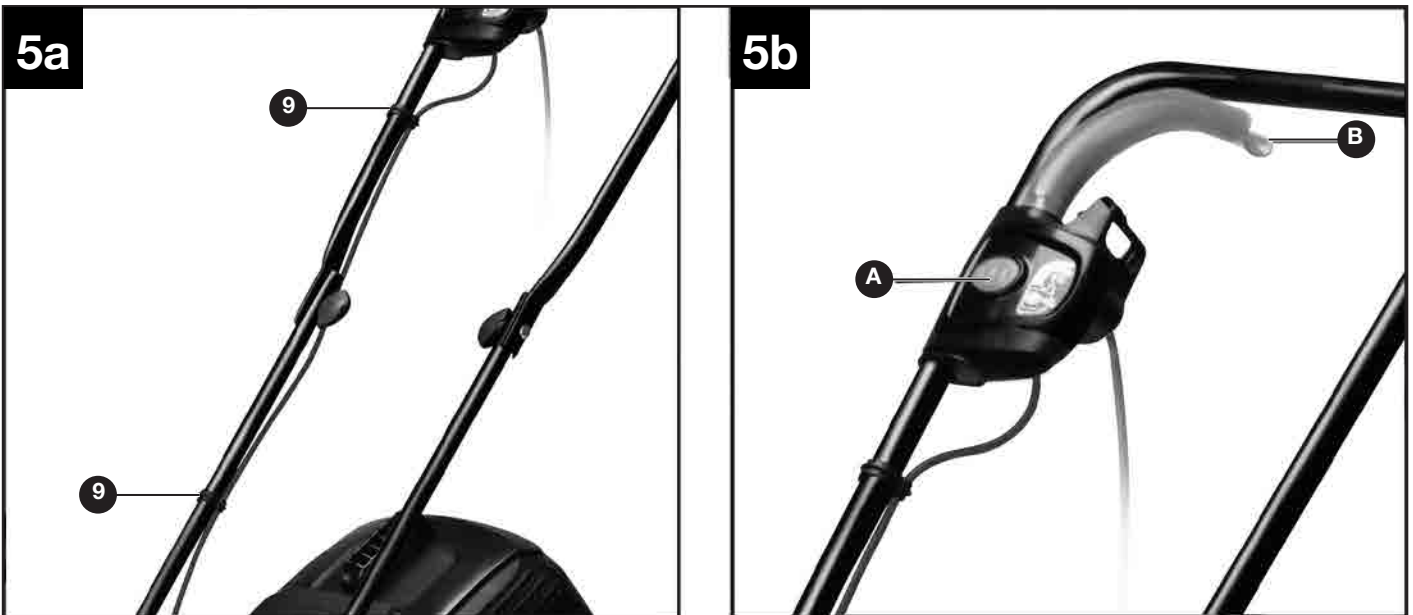
The cutting height is adjusted as shown in Figs. 4a and 4b. To do this, turn the hub cap clockwise to release the bolt (Fig. 4a) and remove the hub cap with the bolt and wheel. The wheels can now be fitted in position 1, 2 or 3 to suit the required cutting height. Fit all four wheels at the same height so that the cutting blade rotates parallel to the lawn.

Position	Cutting height
1	20 mm
2	40 mm
3	60 mm

Before you begin to mow, check to ensure that the blade is not blunt and that none of the fasteners are damaged. To prevent any imbalance, replace blunt and/or damaged blades. To carry out this check, first switch off the motor and pull out the power plug.

Operating Instructions & Tips

Operation



Before you connect the mower to the mains supply make sure that the data on the rating plate is identical to the mains data. Connect the plug to an extension cable if necessary. It is imperative to secure the extension cable to the handle with the cable grip as shown in Figure 5a.



IMPORTANT! To prevent the machine switching on accidentally, the lawn mower is equipped with a safety lock-off **A** which must be pressed before switch lever **B** can be activated. The lawn mower switches itself off when the switch is released.

Repeat this process a couple times so that you are sure that the machine functions properly. Before you perform any repair or maintenance work on the machine, ensure that the blade is not rotating and that the power supply is disconnected.



IMPORTANT! Never lift the grass deflector if the motor is still running. The rotating blade can cause serious injuries.

Always ensure box and grass deflector flap are undamaged and correctly fitted. Always switch off the motor before removing the grass box.

A safe distance between the blade deck and the user is provided by the length of the handle. This distance must be maintained at all times. Take special care when mowing and changing direction on embankments and slopes. Ensure that you have a secure surface to stand on, wear shoes with anti-slip soles that offer good grip, and long trousers. Always mow across the slope (not in up or down direction).

Do not use the mower on gradients exceeding 15° for safety reasons.

Take special care when moving backwards and pulling the lawn mower. Never pull the mower backwards when the motor is running

Operating Instructions & Tips

Mowing Advice

We recommend that you mow in overlapping lines. Only mow with a sharp blade so that the blades of grass do not fray. Frayed grass blades may turn yellow. To achieve a good cut, guide the lawn mower in lines that are as straight as possible. These lines should always overlap by a few centimeters so that you do not leave any uncut strips.

How often you need to mow your lawn depends on how fast the grass is growing. During the main growth period mow more frequently. If the grass is longer than usual, cut it in 2 or more stages. This will cause less stress to both the mower and the grass. Never cut the grass by more than half its height. Keep the under side of the mower casing clean and remove all grass deposits from it. Deposits make it more difficult to start the mower and also adversely affect the mowing quality and the grass collection. Switch off the motor before you carry out any inspections of the blade. Remember that the blade will continue to turn for a few seconds after the motor has been switched off. Never attempt to stop the blade with your hand or any other object.

Check regularly that the blade is correctly secured, in good condition and sharp. If not, sharpen or replace the blade.

If the moving blade strikes an object, stop the mower and wait until the blade has come to a complete standstill. Then check the condition of the blade and the blade mounting. If they are damaged, they must be replaced.

Place the mains lead in loops on the ground near the wall socket. Mow away from the socket and cable and ensure that the mains lead is always on the section of lawn that you have already mowed so that you do not run over the mains lead with the mower.

If you see mown grass on the lawn whilst you are mowing it means the grass collector is full and needs to be emptied immediately.



IMPORTANT! Before you remove the grass collector, switch off the motor and wait until the blade reaches a complete standstill.

To remove the grass collector, raise the deflector guard with one hand and remove the grass collector holding its handle with your other hand. To maintain safety, the deflector guard will close when you remove the grass collector to seal the rear discharge opening. If any grass drops onto the ground you need push the mower away from the area to make it easier to re-start the motor.

Do not remove grass cuttings in the mower casing or on the cutter by hand or with your feet. Instead use suitable tools such as a brush or broom. To ensure efficient grass collection the grass collector and in particular the soft netting must be cleaned after use.

Only fit the grass collector when the motor is switched off and the blade is not moving. Raise the deflector guard with one hand and, holding the grass collector by its handle in your other hand, position it squarely onto its support. Ensure it fits snug against the body of the mower before starting.

Maintenance

Cleaning & Maintenance

Always disconnect the mains power plug engaging in any cleaning work.

Cleaning

- Keep all safety devices, air vents and the motor housing free of dirt and dust as far as possible. Wipe the equipment with a soft brush or blow it with compressed air at low pressure after usage.
- Clean the mower regularly with a moist cloth and some soft soap. Do not use cleaning agents or solvents; these may damage plastic components.
- Ensure that no water can seep into the device.

Blade Maintenance

6



Maintenance

Blade Maintenance (continued)

If the blade is blunt, it can be sharpened in a specialised workshop. If the blade is damaged or showing signs of imbalance, it must be replaced.

Carry out the following steps to change the blade:

- Undo the fastening bolt (Fig. 6).
- Remove the blade and replace with a new one.
- When fitting the blade, make sure it is installed in the right direction. The wings on the blade must be on the top (nearest to the deck).
- Then retighten the fastening bolt. The tightening torque should be approx 25 Nm.



IMPORTANT! Always wear work gloves when engaging in any maintenance work.

Only replace the blade with a genuine replacement blade as this will ensure top performance and safety under all conditions.

Carbon Brushes

In case of excessive sparking, have the carbon brushes checked only by a qualified electrician. Important! Carbon brushes should only be replaced by a qualified electrician.

Maintenance and Storage

- There are no parts inside the mower which require additional maintenance.
- Store in a dry place, out of reach of children.

Troubleshooting

General Troubleshooting

The following table provides solutions to common problems encountered with the mower.

Fault	Possible Cause	Solution
Mower does not start	No power at mains socket	Check the fuse, switch, socket, cable, wire and have any repairs carried out by a qualified electrician
	Defective on/off switch	Repair by a qualified technician required
	Worn carbon brushes	
	Defective motor	
	Grass too long	Set at a higher cut setting. Lift the front wheels slightly by pressing down on the handle bar.
Motor stops	Blade is blocked	Disconnect from mains and remove blockage
Untidy finish, motor labours	Cut height too low	Set a higher cut height
	Blade blunt	Sharpen or replace the blade
	Blade area blocked	Remove blockage
	Blade assembled incorrectly	Install the blade correctly
Blade fails to turn	Blade blocked by grass	Remove blockage
	Blade bolt loose	Tighten the blade bolt
Strange noises, rattling or vibrations	Blade bolt loose	Tighten the blade bolt
	Blade damaged	Replace the blade

Technical Data

Technical Data Table

Specification	Value
Voltage	220-240 V ~ 50 Hz
Power input	1000W
Motor speed	3350min ⁻¹
Cutting width	31cm
Cutting height adjustment	20, 40, 60 mm; 3 levels
Volume of grass collector	30 liters
Wheel size	140/140mm
LpA sound pressure level	84 dB(A) k=3 dB(A)
LWA sound power level	96 dB(A)
Vibration at the handlebars ahv	< 2,5 m/s ²
Protection class	□ II

Disposal

Disposal and Recycling



Do not dispose with household waste.

Recycle products and components according to local legal requirements.

Getting Help

After sales helpline number: 0345 640 0800

Spare parts purchases: www.argosspares.co.uk