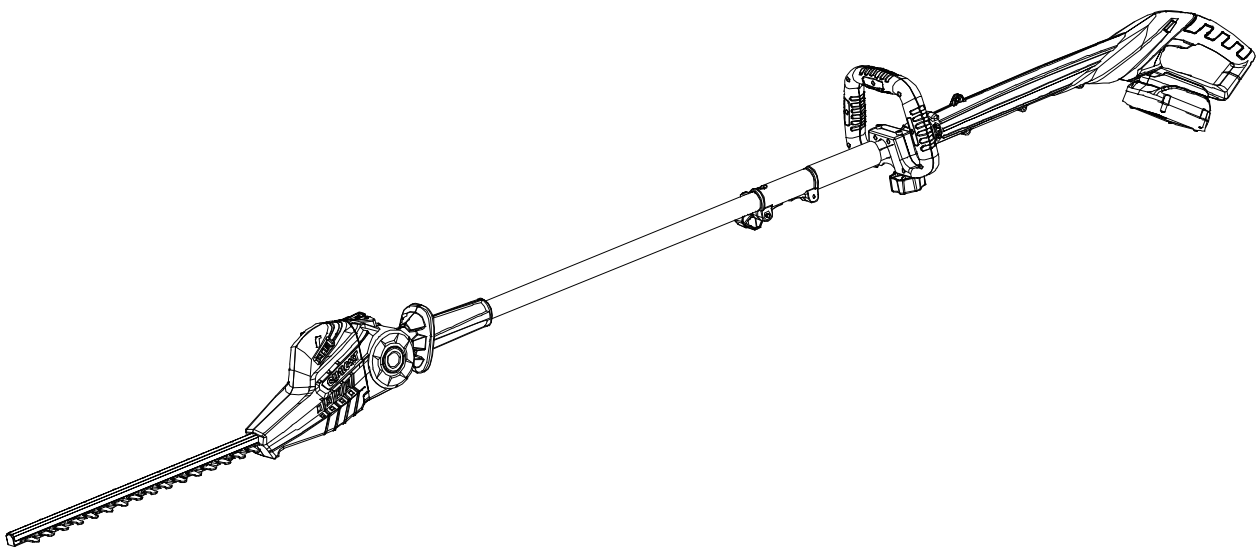


# Qualcast 18V Pole Hedge Trimmer

Assembly Manual

CHT18ML1



## After Sales Support

UK/Ireland 0344 801 0979  
Web [WWW.ARGOS.CO.UK](http://WWW.ARGOS.CO.UK)

**Important-** Please read these instructions fully before starting assembly

These instructions contain important information that will help you get the best from your pole hedge trimmer, ensuring it is assembled correctly and safely. If you need help or have damaged or missing parts, call the Customer Helpline on 0344 801 0979.

# Contents

Safety information.....	3
Warning Symbols.....	3
General safety.....	3
Personal safety.....	3
In the Box.....	4
Parts.....	4
Assembly.....	5
Preparing to assemble the pole hedge trimmer.....	5
Step 1.....	5
Step 2.....	6
Step 3.....	6
Step 4.....	7
Step 5.....	8
Operation.....	8
Getting help.....	8

# Safety Information

Important - Please read these instructions fully before starting assembly

## Warning Symbols

The following warning symbols appear throughout this assembly manual and indicate the appropriate safety measures you should take when assembling and operating the pole hedge trimmer.



This symbol indicates there is a danger of serious personal injury or death if you do not observe the warning.



Read operator's manual



Do not expose to moisture

## General Safety



### WARNING!

Keep this assembly manual in a safe place following assembly for reference at a later date.

Always ensure anyone intending to operate this pole hedge trimmer is fully conversant with the contents of this assembly manual prior to assembling, maintaining or operating the pole hedge trimmer.

Perform assembly operations as described in this manual. Failure to observe this warning may lead to serious injury, death, or damage to the pole hedge trimmer.

Always take care when removing the packaging to prevent damage to you or to the pole hedge trimmer.



**IMPORTANT!** Before assembling the pole hedge trimmer, check all the parts indicated in the manual are in the box. Inspect all the parts for signs of damage. Do not assemble the pole hedge trimmer if you observe any damaged components.

## Personal Safety



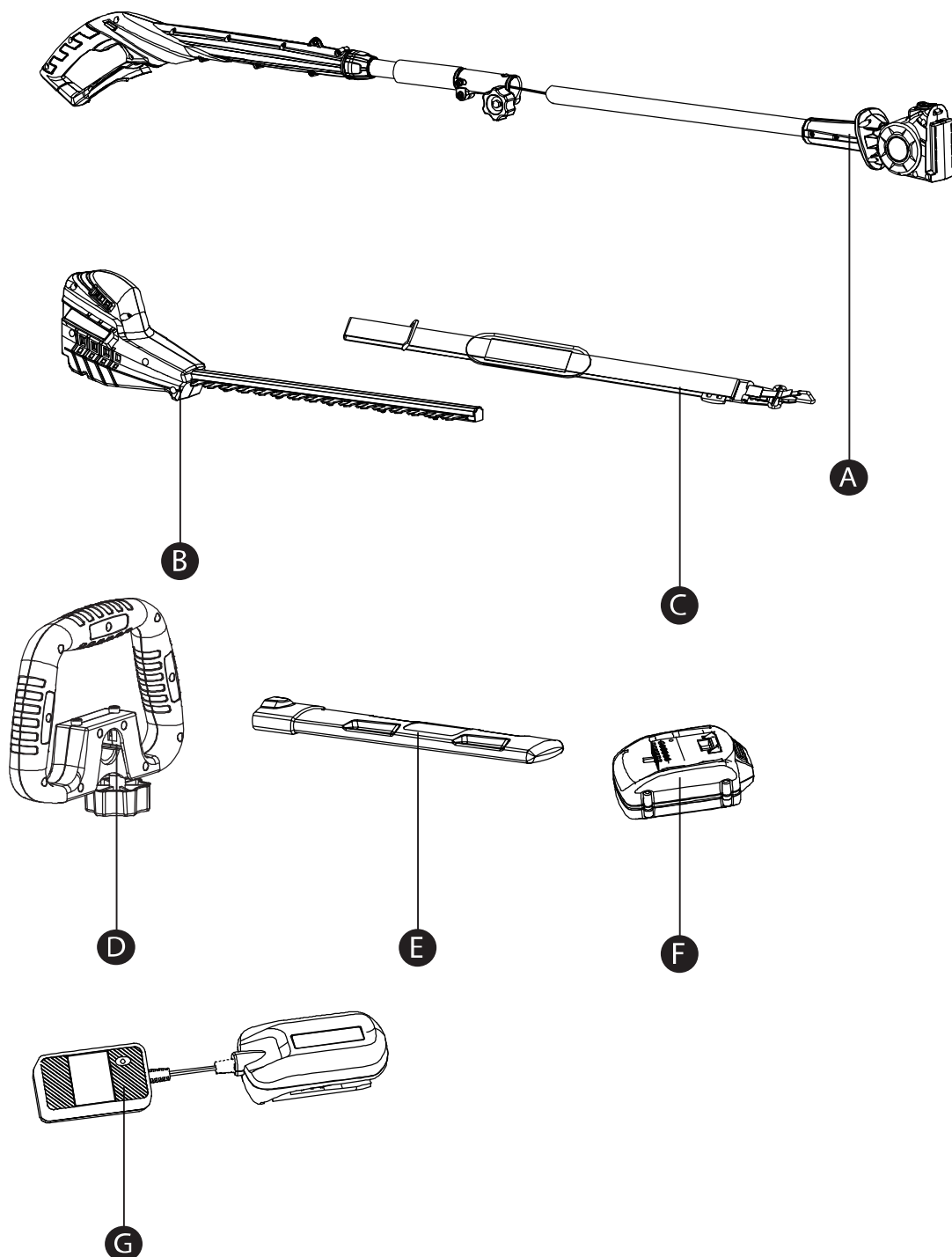
### WARNING!

Only operate the pole hedge trimmer if you are wearing the correct Personal Protective Equipment (PPE) as described in the following warnings.

# In the Box

## Parts

- A** Machine body
- B** Machine head
- C** Shoulder strap
- D** Auxiliary handle
- E** Blade sheath
- F** Battery
- G** Charger



# Assembly

## Preparing To Assemble The Pole Hedge Trimmer



Always take care when removing the packaging to prevent damage to you or to the pole hedge trimmer.



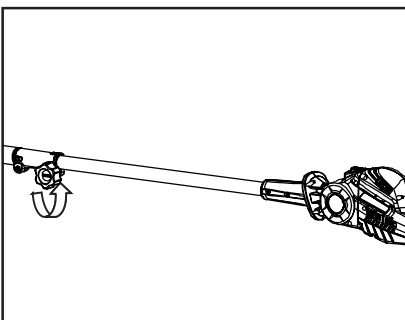
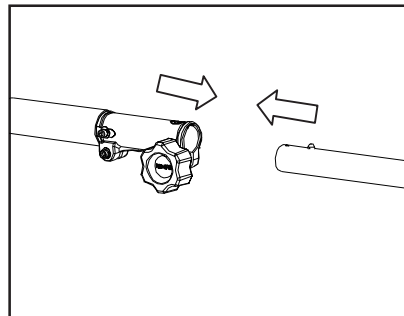
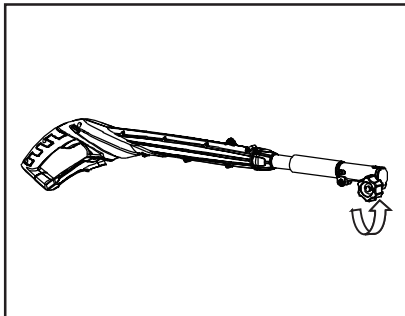
**IMPORTANT!** Before assembling the pole hedge trimmer, check **all** the parts indicated in the manual are in the box. Inspect **all** the parts for signs of damage. Do not assemble the pole hedge trimmer if you observe any damaged components.



**NOTE:** Before using the tool, read the instruction book carefully.

Remove **all** parts of the pole hedge trimmer from the box and carefully remove **all** packaging. Take care not to lose any instructions which may be attached to the tool, these provide important information which will be required while assembling the pole hedge trimmer.

### Step 1



#### TO ASSEMBLE THE POLE

Rotate the **locking collar** counter-clockwise to **loosen**, then align and insert the extension pole into the handle pole until the clamping bolt slides into the hole on the handle pole. Rotate the **locking collar** clockwise to **lock**.

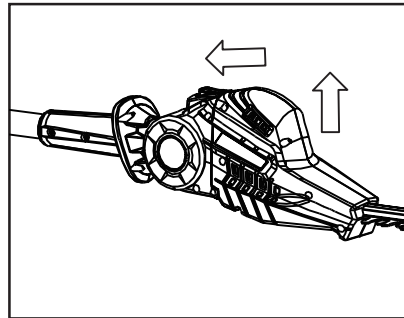
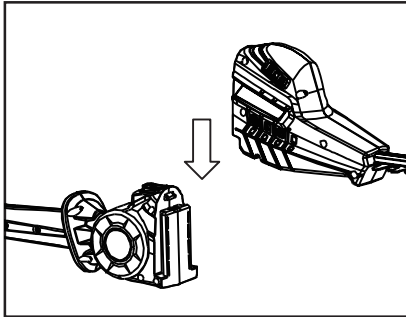
**NOTE:** Make sure that the shaft is firmly locked in place.

#### TO DISASSEMBLE THE POLE

Rotate the **locking collar** counter-clockwise to **loosen**, then press the clamping bolt and rotate the pole at the same time, then you can **pull** the extension pole out off the handle pole directly.

# Assembly

## Step 2

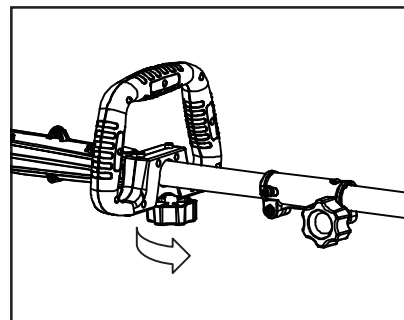
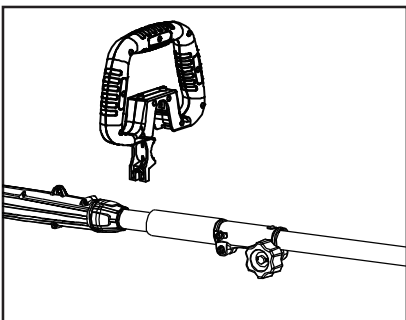


### TO ASSEMBLE/REMOVE THE MACHINE HEAD

To assemble the machine head , slide the machine head to the machine body directly .

To remove the machine head, push the clamping lever then slide the machine head off the Machine body .

## Step 3



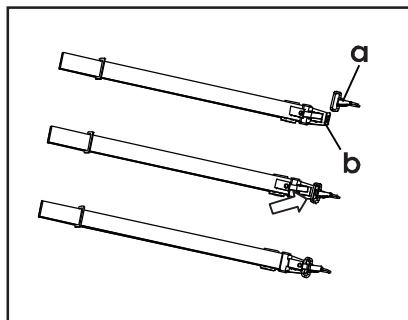
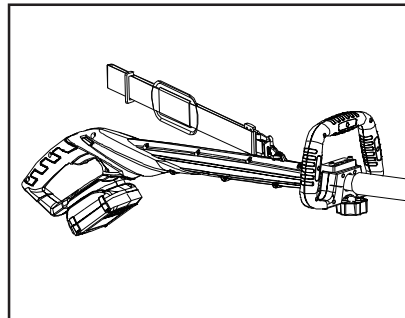
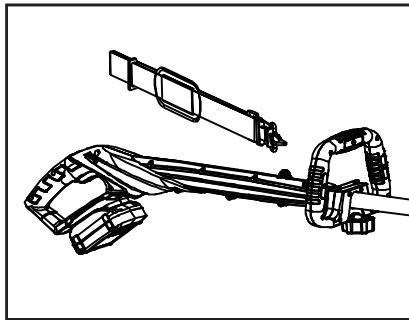
### TO ASSEMBLE THE AUXILIARY HANDLE

The auxiliary handle should be fitted at **all** times.

Rotate the **locking collar** counter-clockwise to **loosen the clamp** , then fix the auxiliary handle on the pole in the desired position, rotate the **locking collar** clockwise to **tighten fully**.

# Assembly

## Step 4



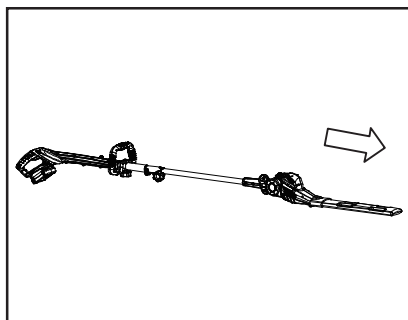
### TO ASSEMBLE THE SHOULDER STRAP

Your pole hedge trimmer is supplied with a shoulder strap. The shoulder strap is supplied with a quick release hook. To assemble the hook to the shoulder strap, fit the clip (a) onto the hasp (b), then insert the pin into the hole on the hasp (b). To fit the strap, connect the clip to the bracket on the handle housing located between the main handle and the auxiliary handle.

The shoulder also equipped with a quick release system, which allows a simple motion to separate the shoulder from the machine.

To assemble the quick release system, put the clip(a) on the hasp(b),the insert the pin into the hole on the hasp(b); to release , just pull the pin out off the hasp(b) directly.

## Step 5



Remove blade sheath

# Operation



**WARNING!** Before using the tool, read the instruction book carefully.

## INTENDED USE

The product is intended for trimming hedges, bushes and shrubs. Observe the technical data for the maximum cutting capacity. Do not cut branches exceeding the stated maximum capacity.

This product is intended for private domestic use only, not for any commercial trade use. It must not be used for any purposes other than those described.

# Getting Help

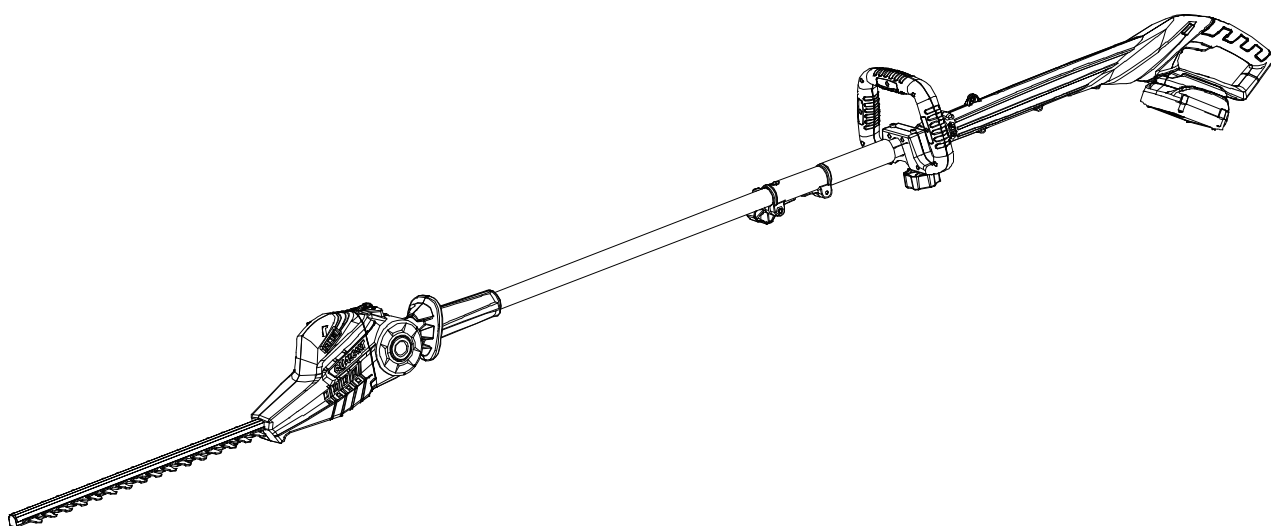
**Customer Helpline 0344 801 0979**



# Qualcast 18V Pole Hedge Trimmer

Operation and Maintenance Manual

CHT18ML1



## After Sales Support

UK/Ireland 0344 801 0979

Web [WWW.ARGOS.CO.UK](http://WWW.ARGOS.CO.UK)

**Important-** Please read these instructions fully before operating or maintaining your pole hedge trimmer

These instructions contain important information that will help you get the best from your pole hedge trimmer, ensuring it is assembled correctly and safely

# Contents

Safety Information.....	11
Warning Symbols.....	12
General Power Tool Safety Warnings.....	13
Pole hedge trimmer Safety Warnings.....	15
General Safety Warnings for your Charger.....	16
Additional safety instructions for your Charger.....	16
Safety Warnings for battery pack.....	17
Maintenance And Storage.....	18
Safe Operating Practices.....	18
Preparing to Operate the Pole hedge trimmer.....	20
Step 1–Charging The Battery.....	20
Step 2–To Remove Or Install Battery Pack.....	21
Step 3–To Start Or Stop Your Hedge Trimmer.....	21
Step 4–Adjusting the pole length.....	22
Step 5–Adjusting the machine head to the required angle.....	22
Step 6–Operating The Pole Hedge Trimmer.....	23
Maintenance.....	24
Maintenance Schedule.....	24
Troubleshooting.....	24
General Troubleshooting.....	24
Technical Data.....	25
Technical Data Table.....	25
Noise and technical data.....	25
Accessories.....	26
Environmental Protection.....	26
Plug Replacement(UK & Ireland Only) .....	27
Getting Help.....	28
Guarantee.....	28

# Safety Information

Important - Please read these instructions fully before starting assembly

## Warning Symbols

The following warning symbols appear throughout this assembly manual and indicate the appropriate safety measures you should take when assembling and operating the pole hedge trimmer.



To reduce the risk of injury, user must read instruction manual



Do not expose to moisture



Warning



Wear ear protection



Wear eye protection



Wear dust mask



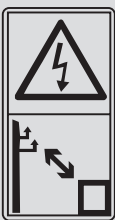
Wear head protection



Keep hands away from blade



Do not expose to moisture rain



Keep sufficient distance away from electrical power lines

# Safety Information

Important - Please read these instructions fully before starting assembly

## Warning Symbols (continued)



Only use the battery charger indoors



Li-Ion

Li-ion battery. This product has been marked with a symbol relating to 'separate collection' for all battery packs and battery pack. It will then be recycled or dismantled in order to reduce the impact on the environment. Battery packs can be hazardous for the environment and for human health since they contain hazardous substances.



Li-Ion



Waste electrical products must not be disposed of with household waste. Please recycle where facilities exist. Check with your local authorities or retailer for recycling advice.

■



Batteries may enter water cycle if disposed improperly, which can be hazardous for ecosystem. Do not dispose of waste batteries as unsorted municipal waste.



Do not burn



Protective gloves



Protective footwear



Keep bystanders away

# Safety Information

Important - Please read these instructions fully before starting assembly

## General Power Tool Safety Warnings



**WARNING:** Read all safety warnings and all instructions. Failure to follow the warnings and instructions may result in electric shock, fire and/or serious injury.

### Save all warnings and instructions for future reference.

The term “power tool” in the warnings refers to your mains-operated (corded) power tool or battery-operated (cordless) power tool.

#### 1) WORK AREA SAFETY

- a) **Keep work area clean and well lit.** Cluttered or dark areas invite accidents.
- b) **Do not operate power tools in explosive atmospheres, such as in the presence of flammable liquids, gases or dust.** Power tools create sparks which may ignite the dust or fumes.
- c) **Keep children and bystanders away while operating a power tool.** Distractions can cause you to lose control.

#### 2) ELECTRICAL SAFETY

- a) **Power tool plugs must match the outlet. Never modify the plug in any way. Do not use any adapter plugs with earthed (grounded) power tools.** Unmodified plugs and matching outlets will reduce risk of electric shock.
- b) **Avoid body contact with earthed or grounded surfaces, such as pipes, radiators, ranges and refrigerators.** There is an increased risk of electric shock if your body is earthed or grounded.
- c) **Do not expose power tools to rain or wet conditions.** Water entering a power tool will increase the risk of electric shock.
- d) **Do not abuse the cord. Never use the cord for carrying, pulling or unplugging the power tool. Keep cord away from heat, oil, sharp edges or moving parts.** Damaged or entangled cords increase the risk of electric shock.
- e) **When operating a power tool outdoors, use an extension cord suitable for outdoor use.** Use of a cord suitable for outdoor use reduces the risk of electric shock.
- f) **If operating a power tool in a damp location is unavoidable, use a residual current device (RCD) protected supply.** Use of an RCD reduces the risk of electric shock.

#### 3) PERSONAL SAFETY

- a) **Stay alert, watch what you are doing and use common sense when operating a power tool. Do not use a power tool while you are tired or under the influence of drugs, alcohol or medication.** A moment of inattention while operating power tools may result in serious personal injury.
- b) **Use personal protective equipment. Always wear eye protection.** Protective equipment such as dust mask, non-skid safety shoes, hard hat, or hearing protection used for appropriate conditions will reduce personal injuries.
- c) **Prevent unintentional starting. Ensure the switch is in the off-position before**

# Safety Information

Important - Please read these instructions fully before starting assembly

## General Power Tool Safety Warnings (continued)

### **connecting to power source and/or battery pack, picking up or carrying the tool.**

Carrying power tools with your finger on the switch or energising power tools that have the switch on invites accidents.

**d) Remove any adjusting key or wrench before turning the power tool on.** A wrench or a key left attached to a rotating part of the power tool may result in personal injury.

**e) Do not overreach. Keep proper footing and balance at all times.** This enables better control of the power tool in unexpected situations.

**f) Dress properly. Do not wear loose clothing or jewellery. Keep your hair, clothing and gloves away from moving parts.** Loose clothes, jewellery or long hair can be caught in moving parts.

**g) If devices are provided for the connection of dust extraction and collection facilities, ensure these are connected and properly used.** Use of dust collection can reduce dust-related hazards.

### **4) POWER TOOL USE AND CARE**

**a) Do not force the power tool. Use the correct power tool for your application.** The correct power tool will do the job better and safer at the rate for which it was designed.

**b) Do not use the power tool if the switch does not turn it on and off.** Any power tool that cannot be controlled with the switch is dangerous and must be repaired.

**c) Disconnect the plug from the power source and/or the battery pack from the power tool before making any adjustments, changing accessories, or storing power tools.** Such preventive safety measures reduce the risk of starting the power tool accidentally.

**d) Store idle power tools out of the reach of children and do not allow persons unfamiliar with the power tool or these instructions to operate the power tool.** Power tools are dangerous in the hands of untrained users.

**e) Maintain power tools. Check for misalignment or binding of moving parts, breakage of parts and any other condition that may affect the power tool's operation.** If damaged, have the power tool repaired before use. Many accidents are caused by poorly maintained power tools.

**f) Keep cutting tools sharp and clean.** Properly maintained cutting tools with sharp cutting edges are less likely to bind and are easier to control.

**g) Use the power tool, accessories and tool bits etc. in accordance with these instructions, taking into account the working conditions and the work to be performed.** Use of the power tool for operations different from those intended could result in a hazardous situation.

### **5) BATTERY TOOL USE AND CARE**

**a) Recharge only with the charger specified by the manufacturer.** A charger that is suitable for one type of battery pack may create a risk of fire when used with another battery pack.

**b) Use power tools only with specifically designated battery packs.** Use of any other battery packs may create a risk of injury and fire.

# Safety Information

Important - Please read these instructions fully before starting assembly

## General Power Tool Safety Warnings (continued)

- c) When battery pack is not in use, keep it away from other metal objects, like paper clips, coins, keys, nails, screws or other small metal objects, that can make a connection from one terminal to another. Shorting the battery terminals together may cause burns or a fire.
- d) Under abusive conditions, liquid may be ejected from the battery; avoid contact. If contact accidentally occurs, flush with water. If liquid contacts eyes, additionally seek medical help. Liquid ejected from the battery may cause irritation or burns.

### 6) SERVICE

- a) Have your power tool serviced by a qualified repair person using only identical replacement parts. This will ensure that the safety of the power tool is maintained.


## Pole Hedge Trimmer Safety Warnings

1. Keep all parts of the body away from the cutter blade. Do not remove cut material or hold material to be cut when blades are moving. Make sure the switch is off when clearing jammed material. A moment of inattention while operating the hedge trimmer may result in serious personal injury.
2. Carry the hedge trimmer by the handle with the cutter blade stopped. When transporting or storing the hedge trimmer always fit the cutting device cover. Proper handling of the hedge trimmer will reduce possible personal injury from the cutter blades.
3. Hold the power tool by insulated gripping surfaces only, because the cutter blade may contact hidden wiring. Cutter blades contacting a "live" wire may make exposed metal parts of the power tool "live" and could give the operator an electric shock.

# Safety Information

Important - Please read these instructions fully before starting assembly

## General Safety Warnings For Your Charger

 **WARNING:** Read all safety warnings and all instructions. Failure to follow the warnings and instructions may result in electric shock, fire and/or serious injury. Save all warnings and instructions for future reference. This appliance is not intended for use by persons (including children) with reduced physical, sensory or mental capabilities, or lack of experience and knowledge, unless they have been given supervision or instruction concerning use of the appliance by a person responsible for their safety. Children should be supervised to ensure that they do not play with the appliance.

## Additional Safety Instructions For Your Charger

1. Before charging, read the instructions.
2. After charging, disconnect the battery charger from the supply mains. Then remove the chassis connection and then the battery connection.
3. Do not charge a leaking battery.
4. Do not use chargers for works other than those for which they are designed.
5. Before charging, ensure your charger is matching the local AC supply.
6. For indoor use, or do not expose to rain.
7. The charging device must be protected from moisture.
8. Do not use the charging device in the open.
9. Do not short out the contacts of battery or charger.
10. Respect the polarity "+/-" when charging.
11. Do not open the unit and keep out of the reach of children.
12. Do not charge the batteries of other manufactures or ill-suited models .
13. Ensure that the connection between the battery charger and battery is correctly positioned and is not obstructed by foreign bodies.
14. Keep battery charger's slots are free of foreign objects and protect against dirt and humidity. Store in a dry and frost-free place.
15. When charging batteries, ensure that the battery charger is in a well-ventilated area and away from inflammable materials. Batteries can get hot during charging. Do not overcharge any batteries. Ensure that batteries and chargers are not left unsupervised during charging.
16. Do not recharge non-rechargeable batteries, as they can overheat and break.
17. Longer life and better performance can be obtained if the battery pack is charged when the air temperature is between 18°C and 24°C. Do not charge the battery pack in air temperatures below 4.5°C, or above 40.5°C. This is important as it can prevent serious damage to the battery pack.
18. Charge only battery pack of the same model provided by manufacturer and of models recommended by manufacturer .



# Safety Information

Important - Please read these instructions fully before starting assembly

## Safety Warnings For Battery Pack

- a) Do not dismantle, open or shred cells or battery pack.
- b) Do not short-circuit a battery pack. Do not store battery packs haphazardly in a box or drawer where they may short-circuit each other or be short-circuited by conductive materials. When battery pack is not in use, keep it away from other metal objects, like paper clips, coins, keys, nails, screws or other small metal objects, that can make a connection from one terminal to another. Shorting the battery terminals together may cause burns or a fire.
- c) Do not expose battery pack to heat or fire. Avoid storage in direct sunlight.
- d) Do not subject battery pack to mechanical shock.
- e) In the event of battery leaking, do not allow the liquid to come into contact with the skin or eyes. If contact has been made, wash the affected area with copious amounts of water and seek medical advice.
- f) Seek medical advice immediately if a cell or battery pack has been swallowed.
- g) Keep battery pack clean and dry.
- h) Wipe the battery pack terminals with a clean dry cloth if they become dirty.
- i) Battery pack needs to be charged before use. Always refer to this instruction and use the correct charging procedure.
- j) Do not maintain battery pack on charge when not in use.
- k) After extended periods of storage, it may be necessary to charge and discharge the battery pack several times to obtain maximum performance.
- l) Battery pack gives its best performance when it is operated at normal room temperature ( $20^{\circ}\text{C}\pm 5^{\circ}\text{C}$ ).
- m) When disposing of battery packs, keep battery packs of different electrochemical systems separate from each other.
- n) Recharge only with the charger specified by manufacturer. Do not use any charger other than that specifically provided for use with the equipment. A charger that is suitable for one type of battery pack may create a risk of fire when used with another battery pack.
- o) Do not use any battery pack which is not designed for use with the equipment.
- p) Keep battery pack out of the reach of children.
- q) Retain the original product literature for future reference.
- r) Remove the battery from the equipment when not in use.
- s) Dispose of properly.

# Safety Information

**Important - Please read these instructions fully before starting assembly**

## **Maintenance And Storage**

- a) When the hedge trimmer is stopped for servicing, inspection or storage, remove battery pack from the machine and make sure **all** moving parts have come to a stop. **Allow** the hedge trimmer to cool before making any inspections, adjustments, etc.
- b) Always **allow** the hedge trimmer to cool down before storing.
- c) When transporting or storing the hedge trimmer, **always** fit the cutting device transport guard.

## **Safe Operating Practices**

### 1. Training

Become familiar with the owner's manual before attempting to operate the equipment.

### 2. Preparation

- a) **THIS HEDGE TRIMMER CAN CAUSE SERIOUS INJURIES.** Read the instructions **carefully** for the correct handling, preparation, maintenance, starting and stopping of the hedge trimmer. Become familiar with **all** controls and the proper use of the hedge trimmer.
- b) Never **allow** children to use the hedge trimmer.
- c) Beware of overhead power lines.
- d) Avoid operating while people, especially children, are nearby.
- e) Dress properly! Do not wear **loose clothing or jewellery**, which can be caught in moving parts. Use of sturdy **gloves**, non-skid footwear and safety glasses is recommended.
- f) If the cutting mechanism strikes any foreign object or the hedge trimmer starts making any unusual noise or vibration, shut off the power source and **allow** the hedge trimmer to stop. Take the following steps:
  - inspect for damage;
  - check for, and tighten, any **loose** parts;
  - have any damaged parts replaced or repaired with parts having equivalent specifications.

### 3. Operation

- a) Remove battery pack before
  - cleaning or when clearing a **blockage**;
  - checking, carrying out maintenance or working on the hedge trimmer;
  - adjusting the working position of the cutting device;
  - leaving the hedge trimmer unattended;
- b) Ensure that the hedge trimmer is **correctly** located in a designated working position before starting the motor.
- c) While operating the hedge trimmer, **always** ensure that the operating position is safe and secure, especially when using steps or a ladder.
- d) Do not operate the hedge trimmer with a damaged or excessively worn cutting device.
- e) **Always** ensure that **all** handles and guards are fitted when using the hedge trimmer. Never attempt to use an **incomplete** hedge trimmer or one fitted with an unauthorized modification.
- f) **Always** use two hands to operate a hedge trimmer fitted with two handles.

# Safety Information

## Safe Operating Practices(continued)

g) Always be aware of your surroundings and stay alert for possible hazards of which you may not be aware due to the noise of the hedge trimmer.

### 4. Maintenance and storage

a) When the hedge trimmer is stopped for servicing, inspection or storage, remove battery pack from the machine and make sure all moving parts have come to a stop. Allow the hedge trimmer to cool before making any inspections, adjustments, etc.

b) Always allow the hedge trimmer to cool down before storing.

c) When transporting or storing the hedge trimmer, always fit the cutting device transport guard.

# Preparing to Operate the Pole hedge trimmer

## Step 1 – Charging The Battery



### **WARNING!**

The charger and battery pack are specially designed to work together so do not attempt to use any other devices. Never insert or allow metallic objects into your charger or battery pack connections because of an electrical failure and hazard will occur.

### **BEFORE USING YOUR CORDLESS POLE HEDGE TRIMMER, YOU MUST FULLY CHARGE THE BATTERY**

Your battery pack is UNCHARGED and you must charge once before use.

The battery charger supplied is matched to the Li-ion battery installed in the machine. Do not use another battery charger.

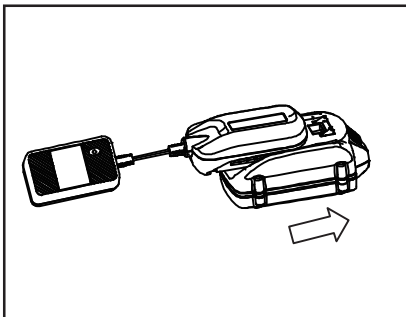
In a warm environment or after heavy use, the battery pack may become too hot to permit charging. Allow time for the battery to cool down before recharging.

When the battery is charged for the first time and after prolonged storage, the battery will only accept approximately 60% charge. However, after several charge and discharge cycles the battery will accept a 100% charge.



### **WARNING:**

When battery charge runs out after continuously use or exposure to direct sunlight or heat, allow time for the tool to cool down before re-charging to achieve the full charge.

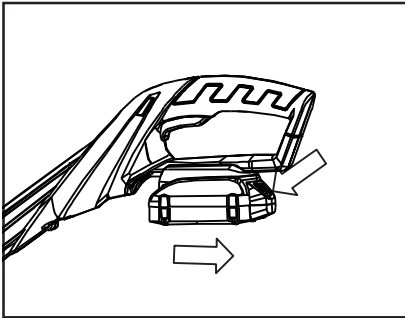


### **HOW TO CHARGE THE BATTERY**

Connect the battery charger to the power supply and the light will be green. Slide the battery pack into the charger to make the connections. The light will turn red to show charging has started. A discharged battery at normal ambient temperature will take approximately 3-5 hours to reach full charge. When charging is completed the light (a) will turn green.

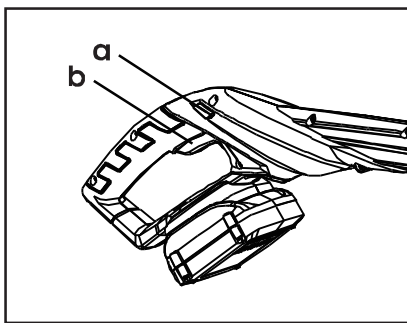
# Preparing to Operate the Pole hedge trimmer

## Step 2 – To Install Or Remove Battery Pack



Depress the Battery pack release button to release battery pack from your hedge trimmer. After recharging, insert the battery pack into hedge trimmer's battery port. A simple push and slight pressure will be sufficient.

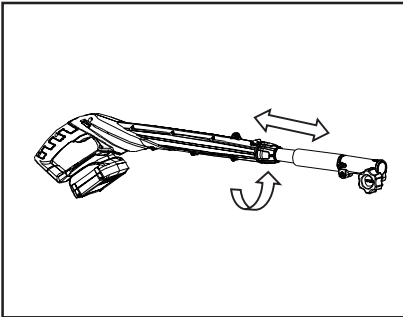
## Step 3 – To Start Or Stop Your Pole Hedge Trimmer



Your trimmer is equipped with a lock-off switch (a),  
Push the Lock-off button (a) then Press the Main switch (b) and release the Lock-off button (a)  
To start you trimmer.  
Release the Main switch (b) to stop your trimmer.

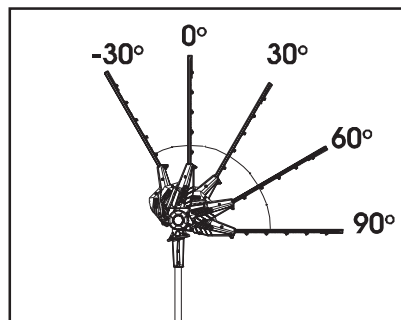
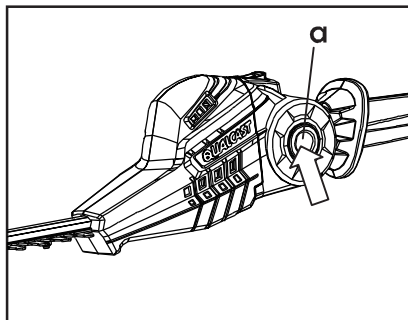
# Preparing to Operate the Pole hedge trimmer

## Step 4 – Adjusting The Pole Length



To extend the pole, loosen the clamping lever . The pole will slide freely.  
To lock the pole to the required length, tighten the clamp ever.

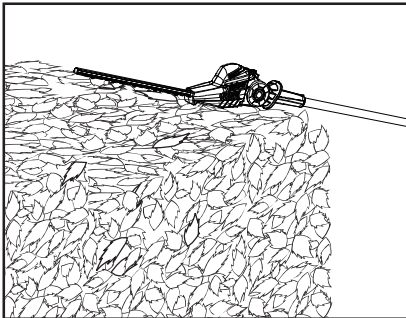
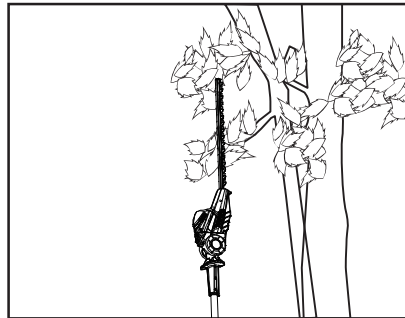
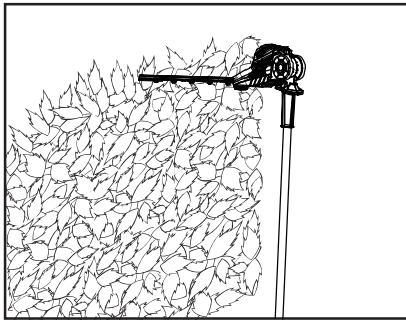
## Step 5 – Adjusting The Machine Head To The Required Angle



Push the lock button (a) and then rotate the machine head to the desired position.  
Release the lock button (a) again and check whether the button is locked in place.  
NOTE: The Machine head can be locked on 5 positions. (-30°, 0°, 30°, 60°, 90°)

# Preparing to Operate the Pole hedge trimmer

## Step 6 – Operating The Pole Hedge Trimmer



Always hold the trimmer with both hands and with the blade away from you before turning it on. When trimming new growth, use a wide sweeping action so that the stems are fed directly into the blade. Allow the cutting blades to reach full speed before cutting. When operating, keep the cutting blades away from people and objects such as walls, large stones, trees, vehicles, etc. If the blade stalls, immediately stop the trimmer. Release the switch before attempting to clear jammed debris from the cutting blades. Do not attempt to cut stems that are too thick for the cutting blade.

# Maintenance

## Maintenance Schedule

**Remove the battery before carrying out any adjustment, servicing or maintenance.**

- 1) Never use water to clean the unit.
- 2) **Always** clean the pole hedge trimmer immediately after use. Brush the blade using a stiff nylon brush to remove any debris.
- 3) **Always** store the unit in a dry place.
- 4) Inspect the hedge trimmer before each use.
- 5) Have the unit professionally repaired if any damage occurs.
- 6) The blade rail should be cleaned and treated with fine oil after each use.
- 7) Use the blade guard for transportation and storage.

# Troubleshooting

## General Troubleshooting

The following chart lists problem symptoms, possible causes and corrective action, if your pole hedge trimmer does not operate properly. If these do not identify and correct the problem, contact your service agent.


**WARNING!** Always switch the product off, disconnect it from power supply and let the product cool down before performing inspection, maintenance and cleaning work!

Problem	Possible Cause	Corrective Action
Pole hedge trimmer does not operate	1.1 Battery discharged 1.2 Battery not fully connected	1.1 Recharge battery; also see "Charging The Battery" 1.2 Ensure the battery pack release button is fully locked
Pole hedge trimmer operates intermittently	2.1 Internal wiring damaged 2.2 On/Off switch defective	2. Contact Helpline
Motor runs but blades remain stationary	3. Internal fault	3. Contact Helpline
Cutting blade hot	4.1 Cutting blade dull 4.2 Cutting blade is damaged 4.3 Too much friction, due to lack of lubricant	4.1 Have blade sharpened 4.2 Have blade inspected/overhauled 4.3 Apply lubricant spray
Cutting time per battery charge too low	5.1 Too much friction, due to lack of lubricant 5.2 Blade needs cleaning 5.3 Battery not fully charged	5.1 Apply lubricant spray 5.2 Clean blade 5.3 Recharge battery; also see "Charging The Battery"
The blades are running slow	6.1 Battery discharged 6.2 Battery stored outside of battery temperature	6.1 Recharge battery; also see "Charging The Battery" 6.2 Allow battery to warm naturally to room temperature (within battery operating temperature 10–45 °C)
Battery charge indicator(a) does not light up	7.1 Mains plug of battery charger not plugged in (properly) 7.2 Socket outlet, mains cable or battery charger defective	7.1 Insert mains plug (fully) into the socket outlet 7.2 Contact Service Agent




# Technical Data

## Technical Data Table


Charger voltage	100-240v 50-60hz
Voltage	18V 
No load speed	1400/min
Cutting diameter	16mm
Cutting length	380mm
Battery capacity	1.5Ah
Weight	3.6kg

## Noise And Technical Date

A weighted Sound Power	76.5 dB(A)
Guaranteed sound power level	85.46 dB(A)
Wear ear protection when sound pressure is over	80dB(A) 
Typical weighted vibration	1.865 m/s <sup>2</sup> , K:1.5 m/s <sup>2</sup>

The declared vibration value has been measured in accordance with a standard test method and may be used for comparing one product with another.

The declared vibration value may also be used to evaluate the exposure for the user caused by vibration in advance.

 **WARNING:** The vibration emission value during actual use of the power tool can differ from the declared value depending on the ways in which the tool is used dependant on the following examples and other variations on how the tool is used:

How the tool is used and the materials being cut or drilled.


The tool being in good condition and well maintained

The use the correct accessory for the tool and ensuring it is sharp and in good condition.

The tightness of the grip on the handles and if any anti vibration accessories are used.

And the tool is being used as intended by its design and these instructions.

### **This tool may cause hand-arm vibration syndrome if its use is not adequately managed**

 **WARNING:** To be accurate, an estimation of exposure level in the actual conditions of use should also take account of all parts of the operating cycle such as the times when the tool is switched off and when it is running idle but not actually doing the job. This may significantly reduce the exposure level over the total working period.

Helping to minimise your vibration exposure risk.

ALWAYS use sharp chisels, drills and blades

Maintain this tool in accordance with these instructions and keep well lubricated (where appropriate)

If the tool is to be used regularly then invest in anti vibration accessories.

Avoid using tools in temperatures of 10°C or less.

Plan your work schedule to spread any high vibration tool use across a number of days

# Accessories

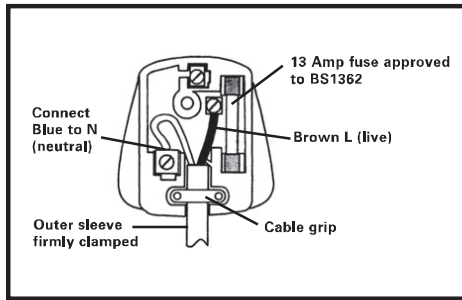
Charger	1
Battery	1
Blade sheath	1
Shoulder strap	1
Auxiliary handle	1

# Environmental Protection



This product has been marked with a symbol relating to removing electric and electronic waste. This means that this product shall not be discarded with household waste but that it shall be returned to a collection system which conforms to the European Directive 2002/96/CE. It will then be recycled or dismantled in order to reduce the impact on the environment. Electric and electronic equipment can be hazardous for the environment and for human health since they contain hazardous substances.

# Plug Replacement(UK & Ireland Only)



If you need to replace the fitted plug then follow the instructions below.

## IMPORTANT

The wires in the mains lead are coloured in accordance with the following code:

**BLUE = NEUTRAL**

**BROWN = LIVE**

As the colors of the wires in the mains lead of this appliance may not correspond with the colored markings identifying the terminals in your plug, proceed as follows. The wire which is colored blue must be connected to the terminal which is marked with N. The wire which is colored brown must be connected to the terminal which is marked with L.

**WARNING:** Never connect live or neutral wires to the earth terminal of the plug. Only fit an approved 13A BS1363/A plug and the correct rated fuse.

**NOTE:** If a moulded plug is fitted and has to be removed take great care in disposing of the plug and severed cable, it must be destroyed to prevent engaging into a socket.

# Getting Help

Customer Helpline 0344 801 0979

# Guarantee

This product is selected for DOMESTIC USE ONLY and not for business use.

This product is guaranteed against manufacturing defects for a period of 24 months. This does not cover the product where the fault is due to misuse, abuse, use in contravention of the instructions, or where the product has been the subject of unauthorised modifications or alterations, or has been the subject of commercial use. In the event of a problem with the product within the guarantee period please return it to your nearest store. If the item is shown to have an inherent defect present at the time of sale, the store will provide you with a replacement, Your statutory rights remain unaffected.







