

Robert Bosch GmbH
Power Tools Division
70764 Leinfelden-Echterdingen
GERMANY

www.bosch-garden.com

F 016 L70 941 (2014.08) 0 / 20 XXX



ALS 2500



en Original instructions



English

Safety Notes

Warning! Read these instructions carefully, be familiar with the controls and the proper use of the machine. Please keep the instructions safe for later use!

Explanation of symbols on the machine



General hazard safety alert.



Read instruction manual.



Pay attention that bystanders are not injured through foreign objects thrown from the machine.

Warning: Keep a safe distance from the machine when operating.



Rotating fan. Keep hands and feet out of the openings while the machine is running.



Keep hands and feet out of the openings while the machine is running.



Pay attention that bystanders are not injured through foreign objects thrown from the machine. Keep bystanders a safe distance away from the machine.



Wear eye and ear protection.



Do not work in the rain or leave the leaf blower/garden vacuum outdoors whilst raining.



Switch off and remove plug from mains before adjusting, cleaning, maintenance or if the cable is entangled or if the cable is cut or damaged and before leaving the leaf blower/garden vacuum unattended for any period.



Wait until all machine components have completely stopped before touching them. The blades continue to rotate after the machine is switched off, a rotating blade can cause injury.

Operation

- ▶ Never allow children or people unfamiliar with these instructions to use the machine. Local regulations may restrict the age of the operator. When not in use store the machine out of reach of children.
- ▶ This machine is not intended for use by persons (including children) with reduced physical, sensory or mental capabilities, or lack of experience and knowledge, unless they have been given supervision or instruction concerning use of the machine by a person responsible for their safety. Children should be supervised to ensure that they do not play with the machine.
- ▶ Never operate the machine while people, especially children or pets, are nearby.

- ▶ The operator or user is responsible for accidents or hazards occurring to other people or their property.
- ▶ Other persons and animals should remain at a distance of 3 metres or more when the machine is being used. The operator is responsible for third persons in the working area.
- ▶ Use the machine only in daylight or good artificial light.
- ▶ Never operate the product when you are tired, ill or under the influence of alcohol, drugs or medicine.
- ▶ Avoid operating the machine in bad weather conditions especially when there is a risk of lightning.
- ▶ Always wear substantial clothing on the upper body and limbs when operating this tool.
- ▶ Do not operate the machine when barefoot or wearing open sandals, always wear substantial footwear and long trousers.
- ▶ Failure to keep loose clothing from being drawn into air intake could result in personal injury.
- ▶ Do not operate without tubes in place.
- ▶ Failure to keep long hair away from the air inlet could result in personal injury.
- ▶ Thoroughly inspect the area where the machine is to be used and remove all wires and other foreign objects.
- ▶ Check cable for damage before starting work and replace if necessary. Keep cable away from heat, oil and sharp edges.
- ▶ Always direct the cable to the rear away from the appliance.
- ▶ Use the machine only in the correct orientation for its configuration. This machine is not designed for use inverted during vacuum mode.
- ▶ Never operate the leaf blower/garden vacuum with defective guards or shields, or without safety devices, for example collection bag in place.
- ▶ Always ensure all handles and guards supplied are fitted when using the leaf blower/garden vacuum. Never attempt to use an incomplete leaf blower/garden vacuum or one with an unauthorised modification.
- ▶ While operating the leaf blower/garden vacuum always be sure of a safe and secure operating position at all times.
- ▶ Always be aware of your surroundings and stay alert for possible hazards that you may not hear whilst operating the leaf blower/garden vacuum.
- ▶ Do not over reach and keep your balance at all times.
- ▶ Always be sure of your footing on slopes.
- ▶ Walk, never run.
- ▶ Keep all cooling air inlets clear of debris.
- ▶ Never blow debris in the direction of bystanders.
- ▶ Do not carry the machine by the cable.
- ▶ The wearing of a face mask is recommended.

4 | English

- ▶ **Wear safety goggles.**
- ▶ **Do not modify this product.** Unauthorized modifications may impair the safety of your product and may result in increased noise and vibration.

Remove the plug from the socket:

- Whenever you leave the machine.
- Before checking, clearing a blockage or working on the leaf blower/garden vacuum.
- After striking a foreign object, inspect the leaf blower/garden vacuum for damage and make repairs as necessary.
- If the leaf blower/garden vacuum starts to vibrate abnormally check immediately.

Power supply

- ▶ The voltage indicated on the rating plate must correspond to the voltage of the power source.
- ▶ We recommend that this equipment is only connected into a socket which is protected by a circuit-breaker that would be actuated by a 30 mA residual current.
- ▶ Only use or replace power supply cables for this unit which correspond to the types indicated by the manufacturer. See the operating instructions for the order no. and types.
- ▶ Never touch the mains plug with wet hands.

- ▶ Do not run over, crush or pull the power supply cable or extension lead, otherwise it may be damaged. Protect the cable from heat, oil and sharp edges.
- ▶ The extension lead must have a cross section in accordance with the operating instructions and be protected against splashed water. The connection must not be in water.

Electrical Safety

- ▶ **Motor Protector fitted! Motor fitted with safety overload protection. If motor stops working, allow a few minutes to cool, before re-starting.**
- ▶ **Warning! Switch off, remove plug from mains before adjusting, cleaning or if cable is entangled.**
- ▶ **If a cord becomes damaged during use, disconnect the supply cord from the mains immediately. DO NOT TOUCH THE CORD BEFORE DISCONNECTING THE SUPPLY.**

Your machine is double insulated for safety and requires no earth connection. The operating voltage is 230 V AC, 50 Hz (for non-EU countries 220 V, 240 V as applicable). Only use approved extension cables. Contact your Bosch Service Centre for details.

Extension cords/leads should only be used if they comply with H05VV-F, H05RN-F types or IEC type design (60227 IEC 53, 60245 IEC 57).

If you want to use an extension cable when operating your product, only the following cable dimensions should be used:

- 1.0 mm²: max. length 40 m
- 1.5 mm²: max. length 60 m
- 2.5 mm²: max. length 100 m

Note: If an extension cable is used it must be earthed and connected through the plug to the earth cable of your supply network in accordance with prescribed safety regulations. If in doubt contact a qualified electrician or the nearest Bosch Service Centre.

- ▶ **WARNING! Inadequate extension cables can be dangerous. Extension cable, plug and socket must be of watertight construction and intended for outdoor use.**

It is recommended for increased electrical safety to use a Residual Current Device (RCD) with a tripping current of not more than 30 mA. Always check your RCD every time you use it.

The connection lead must be inspected for signs of damage at regular intervals and may only be used if in perfect condition.

If the supply cord is damaged, it must be replaced by a Bosch Service Centre.

For products **not sold in GB:**

WARNING: For your safety, it is required that the plug attached to the machine is connected with the extension cord. The coupling of the extension cord must be protected against splash water, be made of rubber or coated with rubber. The extension cord must be used with a cable strain relief.

Products sold in GB only: Your product is fitted with a BS 1363/A approved electric plug with internal fuse (ASTA approved to BS 1362).

If the plug is not suitable for your socket outlets, it should be cut off and an appropriate plug fitted in its place by an authorised customer service agent.

The replacement plug should have the same fuse rating as the original plug. The severed plug must be disposed of to avoid a possible shock hazard and should never be inserted into a mains socket elsewhere.

Products sold in AUS and NZ only:

Use a residual current device (RCD) with a rated residual current of 30 mA or less.











Maintenance

- ▶ Keep all nuts, bolts and screws tight to ensure that the leaf blower/garden vacuum is always in a safe working condition.
- ▶ The leaf blower/garden vacuum should be stored in a dry, high or locked up place out of the reach of children.
- ▶ Replace worn or damaged parts for safety.
- ▶ Check the collection bag frequently for wear or deterioration.
- ▶ Do not attempt to repair the machine unless you are qualified to do so.
- ▶ Ensure replacement parts fitted are Bosch approved.

6 | English

Symbols

The following symbols are important for reading and understanding the operating instructions. Please take note of the symbols and their meaning. The correct interpretation of the symbols will help you to use the garden product in a better and safer manner.

Symbol	Meaning
	Blow Mode
	Vacuum Mode
	Movement direction
	Reaction direction
	Switching On
	Switching Off
	Permitted action
	Prohibited action
	Wear protective gloves.
	Only operate with assembled tube.

Intended Use

This product is intended for blowing and collecting leaves and garden waste such as grass clippings in the area around the garden and house.

This product is **not intended** for use as a shredder.

It can be dangerous to operate any power tool in a manner other than as specifically intended. Misuse can result in personal injury.

Technical Data

Leaf blower / Garden Vacuum Cleaner		ALS 2500
Article number		3 600 HA1 071
Rated power input	W	2500
Air speed	km/h	280 – 300
Volume flow rate, max.	m ³ /h	800
Reduction ratio		10:1
Collection bag volume	l	45
Weight (blow mode)	kg	3.2
Weight (vacuum mode)	kg	4.4
Protection class		□/II
Serial number	see type plate on the garden product	

The values given are valid for a nominal voltage [U] of 230 V. For different voltages and models for specific countries, these values can vary. Please observe the article number on the type plate of your garden product. The trade names of the individual garden products may vary.

Noise/Vibration Information

Sound emission values determined according to EN 50636-2-100.

Typically the A-weighted noise levels of the product are: Sound pressure level 82 dB(A); sound power level 102 dB(A). Uncertainty K = 3 dB.

Wear hearing protection!

Vibration total values a_h (triax vector sum) and uncertainty K determined according to EN 60335: $a_h < 2.5 \text{ m/s}^2$, $K = 1.5 \text{ m/s}^2$.

Declaration of Conformity 

We declare under our sole responsibility that the product described under "Technical Data" is in conformity with all relevant provisions of the directives 2011/65/EU, 2014/30/EU, 2006/42/EC, 2000/14/EC including their amendments and complies with the following standards: EN 60335-1, EN 50636-2-100.

2000/14/EC: Guaranteed sound power level 105 dB(A).

Conformity assessment procedure according to Annex V.

Equipment category: 34, 35

Technical file (2006/42/EC, 2000/14/EC) at:

Bosch Lawn and Garden Ltd., PT-LG/ENS23, Stowmarket, Suffolk IP14 1EY, England

Henk Becker

Executive Vice President
Engineering

Helmut Heinzelmann

Head of Product Certification
PT/ETM9

Henk Becker *i.v. Helmut Heinzelmann*

Robert Bosch GmbH, Power Tools Division
70764 Leinfelden-Echterdingen, GERMANY
09.07.2014

Mounting and Operation

Action	Figure	Page
Delivery Scope	1	10
Safety Cover Assembly	2	10
Tube Assembly	3	11
Connecting the Extension Lead	4	11
Starting	4	11
Stopping	4	11
Blow Mode	5	12
Selecting Blowing Speed	5	12
Tube/Safety Cover Disassembly	6	13
Handle Assembly	7	13
Vacuum Tube Assembly (one-time assembly only)	8	14
Fitting of Shoulder Strap	9	14
Fitting of Collection Bag	10	15
Connecting the Extension Lead	11	15
Starting	11	15

Action	Figure	Page
Stopping	11	15
Vacuum Mode	12	16
Selecting Volume Flow Rate	12	16
Adjusting Front Handle	13	17
Emptying Collection Bag	14	17 – 18
Maintenance and Cleaning	15	18 – 19
Storage and Transport	16	19

Working Advice

When operating, always hold the machine close to the ground.

Do not blow hot, flammable or explosive material.

The garden vacuum is only suitable for foliage and garden waste.

Please inspect the area for little animals and hard objects before using the tool.

Do not vacuum liquids, plastic bags, cans, pine cones, branches larger than 5 mm ($\varnothing > 5$ mm), cloth, tissues and pegs.

Troubleshooting



Problem	Possible Cause	Corrective Action
Machine fails to operate	Components not assembled correctly	see "assembly"
	Power turned off	Turn power on
	Mains socket faulty	Use another socket
	Extension cable damaged	Inspect cable, replace if damaged
	Fuse faulty/blown	Replace fuse
Machine functions intermittently	Motor protector has activated	Allow motor to cool down and check that fan is not blocked
	Extension cable damaged	Inspect cable, replace if damaged
	Internal wiring of machine damaged	Contact Service Agent
	On/Off switch defective	Contact Service Agent
Excessive vibrations/noise	Motor protector has activated	Allow motor to cool down and check that fan is not blocked
	Machine defective	Contact Service Agent
Machine does not blow/vacuum	Tube obstructed	Clear tube

8 | English

Problem	Possible Cause	Corrective Action
Tube cannot be mounted on the machine	Incorrect assembly	see "assembly"
Vacuuming speed slows down	Collection bag full	Empty collection bag
	Bag inlet connector obstructed	Clear out bag inlet connector
Fan not rotating	Fan obstructed	Switch off product and clear out as necessary (wear gloves)

Maintenance and Service**Maintenance, Cleaning and Storage**

- ▶ **Before any work on the machine itself, pull the mains plug.**
- ▶ **For safe and proper working, always keep the garden product clean.**

For safe and proper working, always keep the garden product and the ventilation slots clean.

Remove dirt on the machine or the collection bag with a moist cloth.

Never spray with or immerse the garden product in water.

Store the garden product in a secure, dry place, out of the reach of children.

Do not place other objects on the garden product.

After-sales Service and Application Service**www.bosch-garden.com**

In all correspondence and spare parts orders, please always include the 10-digit article number given on the type plate of the garden product.

Great Britain

Robert Bosch Ltd. (B.S.C.)
P.O. Box 98
Broadwater Park
North Orbital Road
Denham
Uxbridge
UB 9 5HJ

At www.bosch-pt.co.uk you can order spare parts or arrange the collection of a product in need of servicing or repair.

Tel. Service: (0844) 7360109

E-Mail: boschservicecentre@bosch.com

Ireland

Origo Ltd.
Unit 23 Magna Drive
Magna Business Park
City West
Dublin 24
Tel. Service: (01) 4666700
Fax: (01) 4666888

Australia, New Zealand and Pacific Islands

Robert Bosch Australia Pty. Ltd.

Power Tools
Locked Bag 66
Clayton South VIC 3169
Customer Contact Center
Inside Australia:
Phone: (01300) 307044
Fax: (01300) 307045
Inside New Zealand:
Phone: (0800) 543353
Fax: (0800) 428570
Outside AU and NZ:
Phone: +61 3 95415555
www.bosch.com.au

Republic of South Africa

Customer service
Hotline: (011) 6519600

Gauteng – BSC Service Centre

35 Roper Street, New Centre
Johannesburg
Tel.: (011) 4939375
Fax: (011) 4930126
E-Mail: bsctools@icon.co.za

KZN – BSC Service Centre

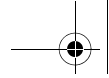
Unit E, Almar Centre
143 Crompton Street
Pinetown
Tel.: (031) 7012120
Fax: (031) 7012446
E-Mail: bsc.dur@za.bosch.com

Western Cape – BSC Service Centre

Democracy Way, Prosperity Park
Milnerton
Tel.: (021) 5512577
Fax: (021) 5513223
E-Mail: bsc@zsd.co.za

Bosch Headquarters

Midrand, Gauteng
Tel.: (011) 6519600
Fax: (011) 6519880
E-Mail: rbsa-hq.pts@za.bosch.com



Disposal

The garden product, accessories and packaging should be sorted for environmental-friendly recycling.

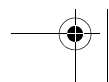
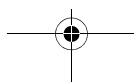
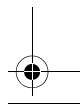
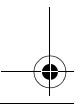
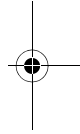
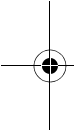
Do not dispose of garden products into household waste!

Only for EC countries:



According to the European directive 2012/19/EU for Waste Electrical and Electronic Equipment and its implementation into national law, electrical and electronic equipment that are no longer usable must be collected separately and disposed of in an environmentally correct manner.

Subject to change without notice.

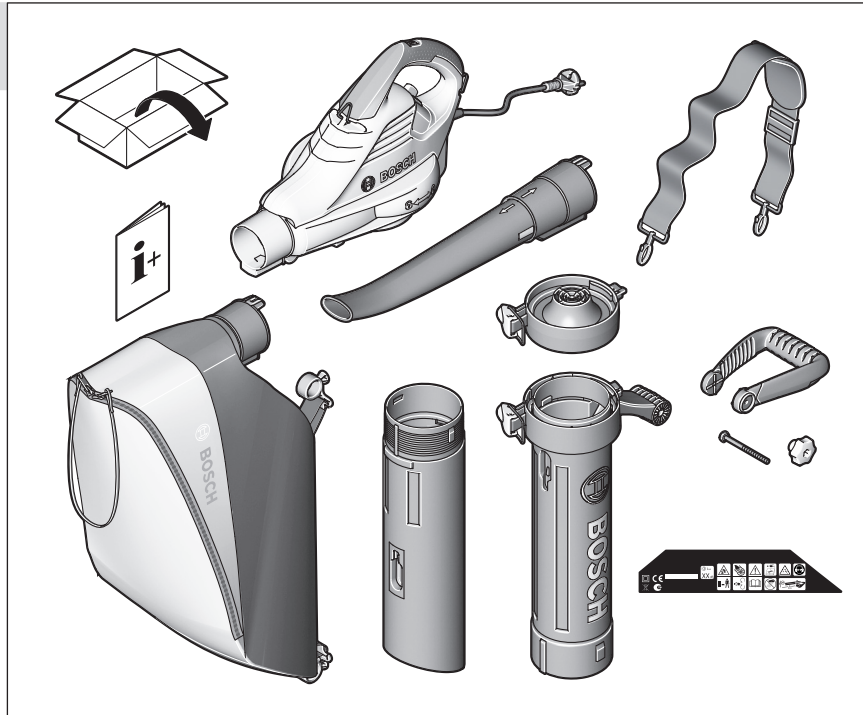


10 |

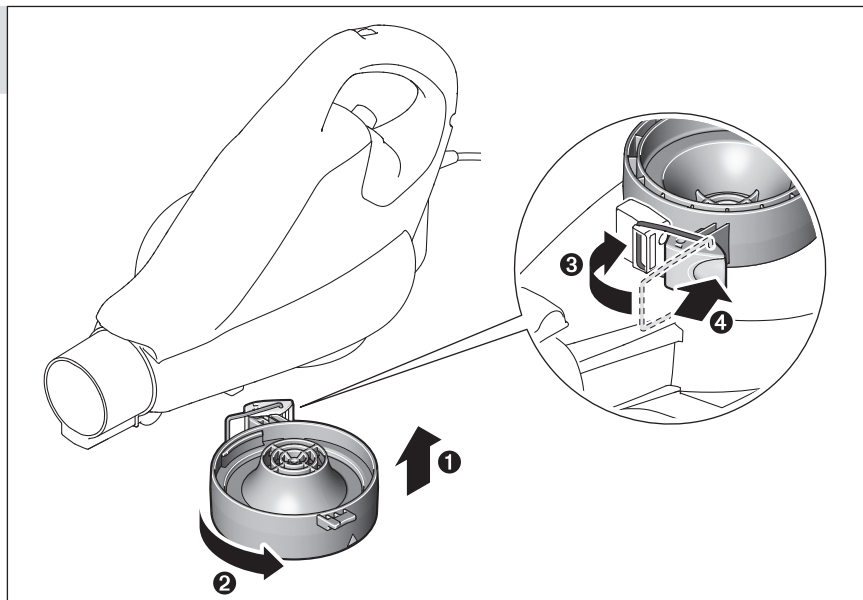
1



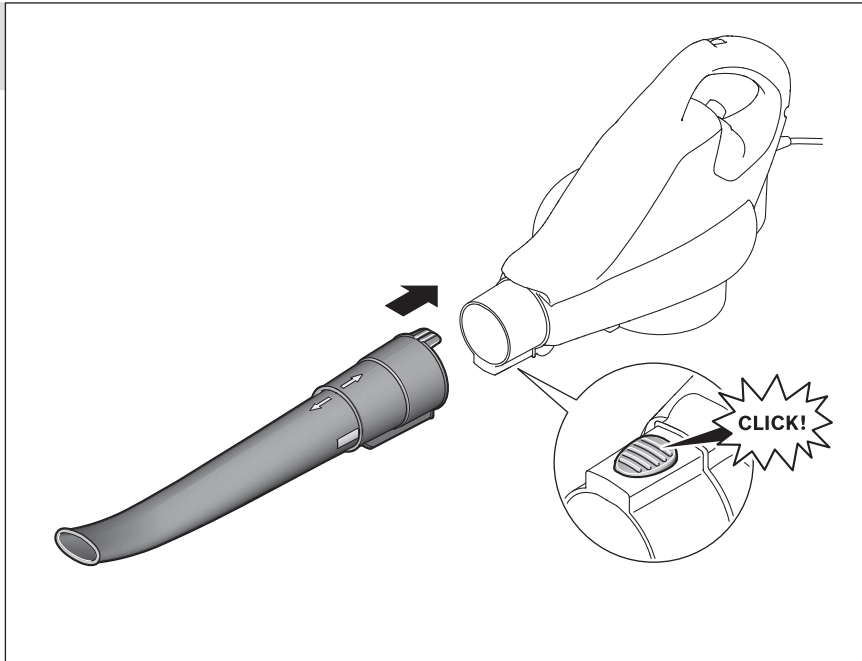
4,4 kg



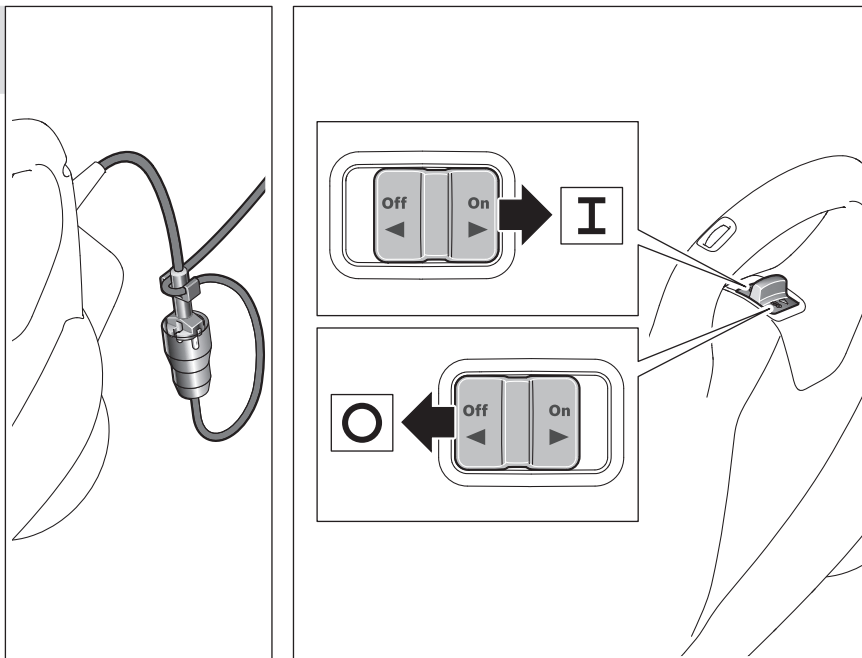
2



3

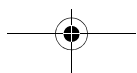
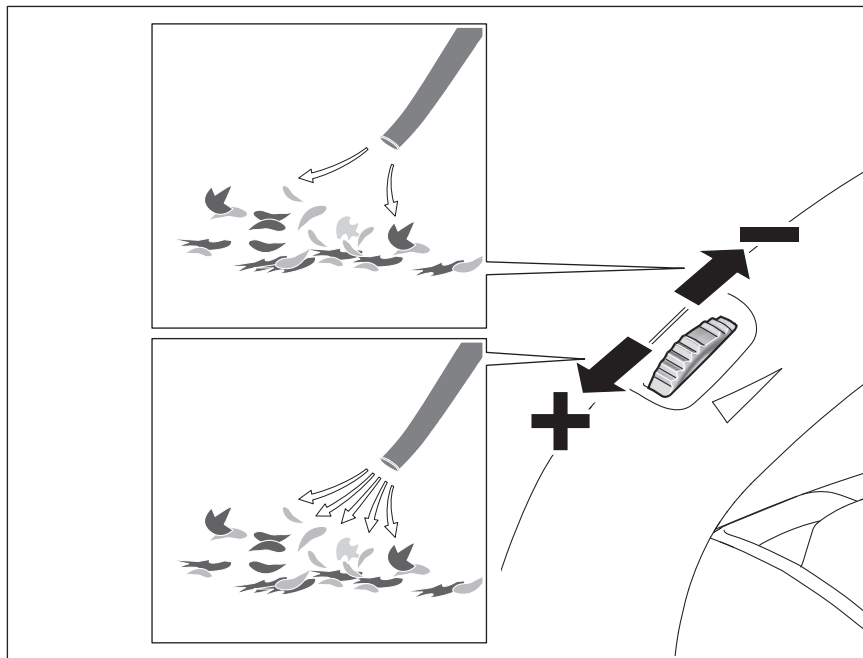


4



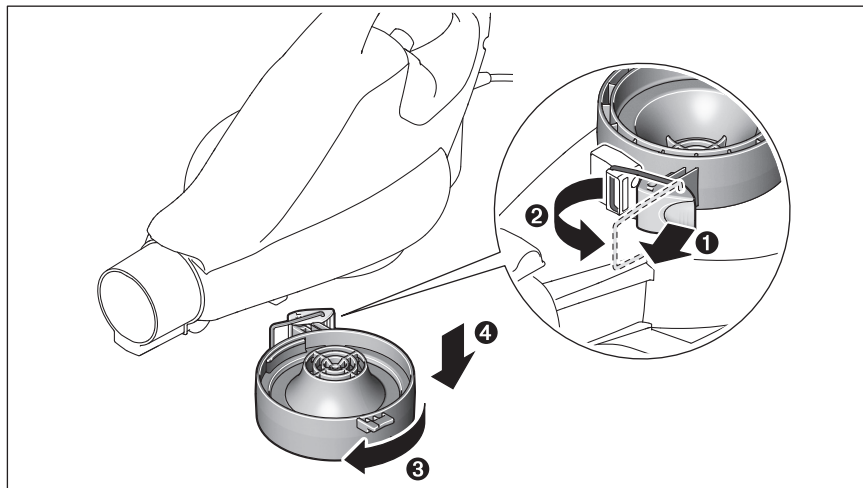
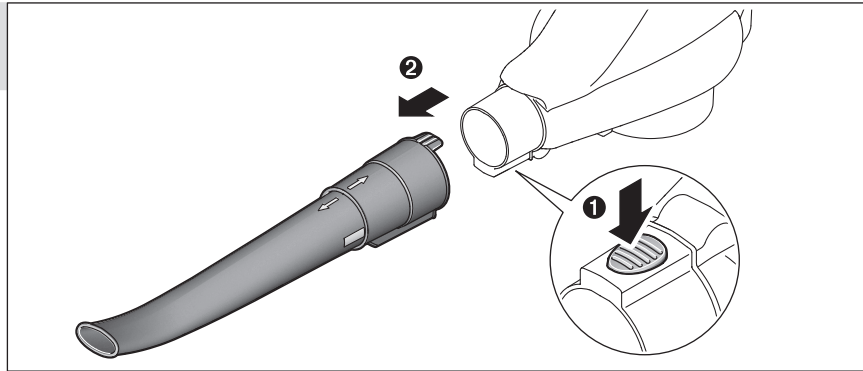


5

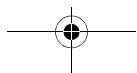
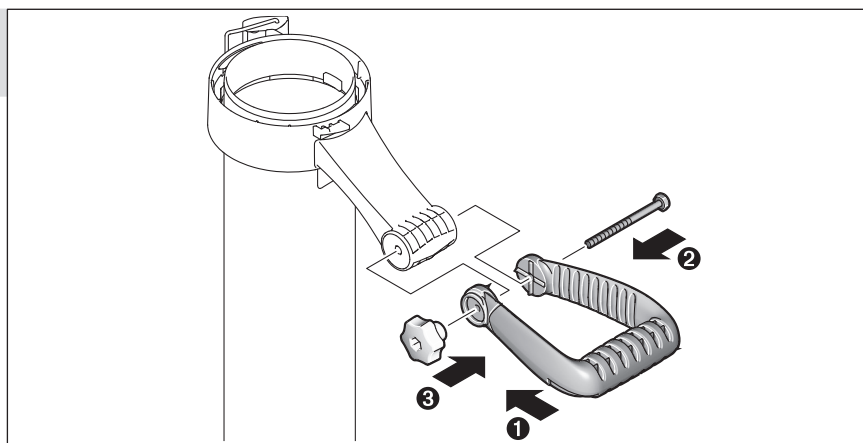


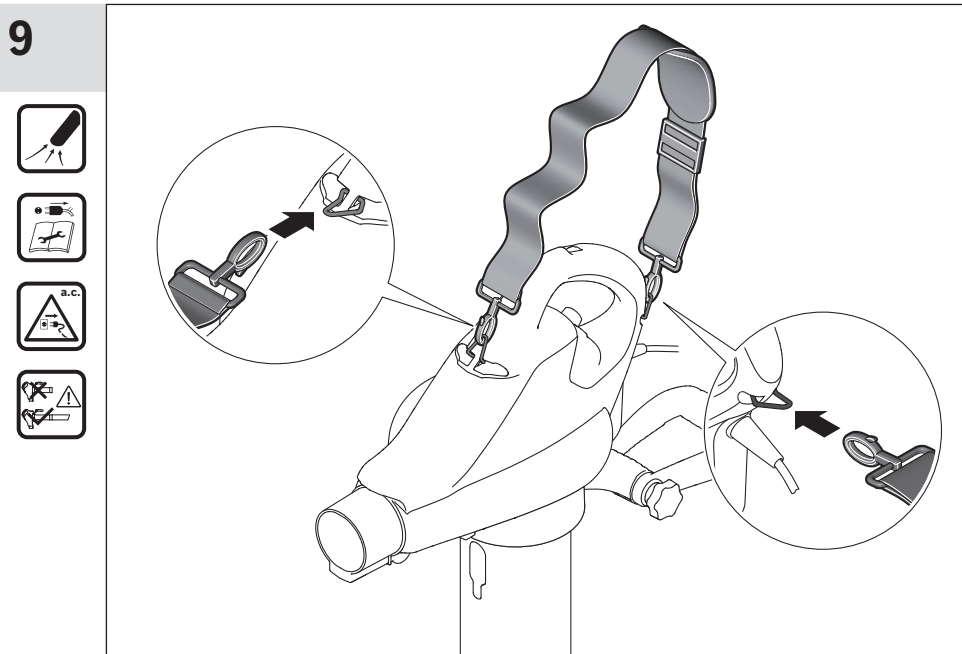
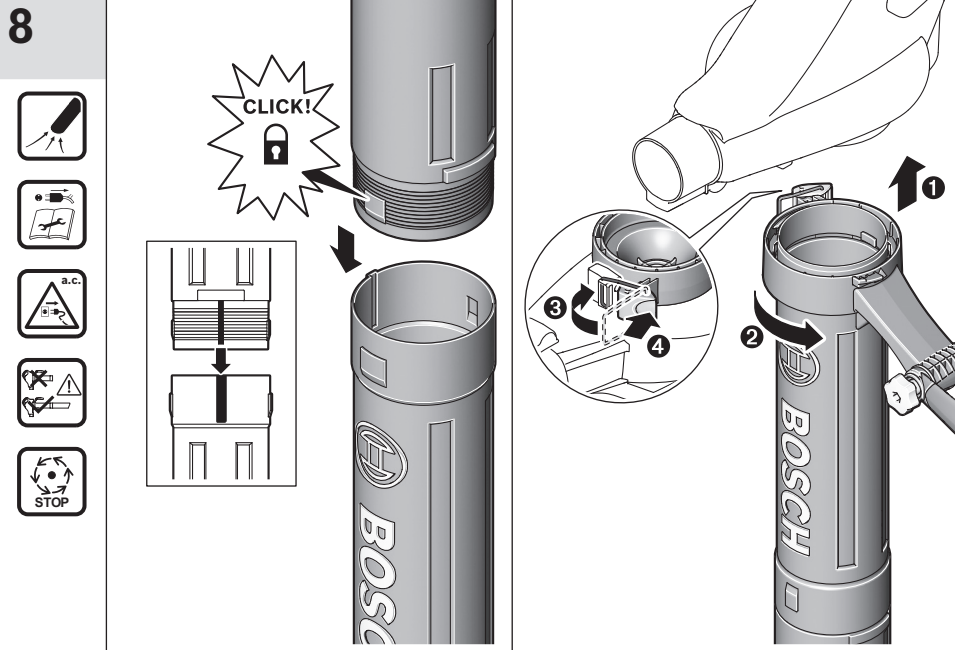


6

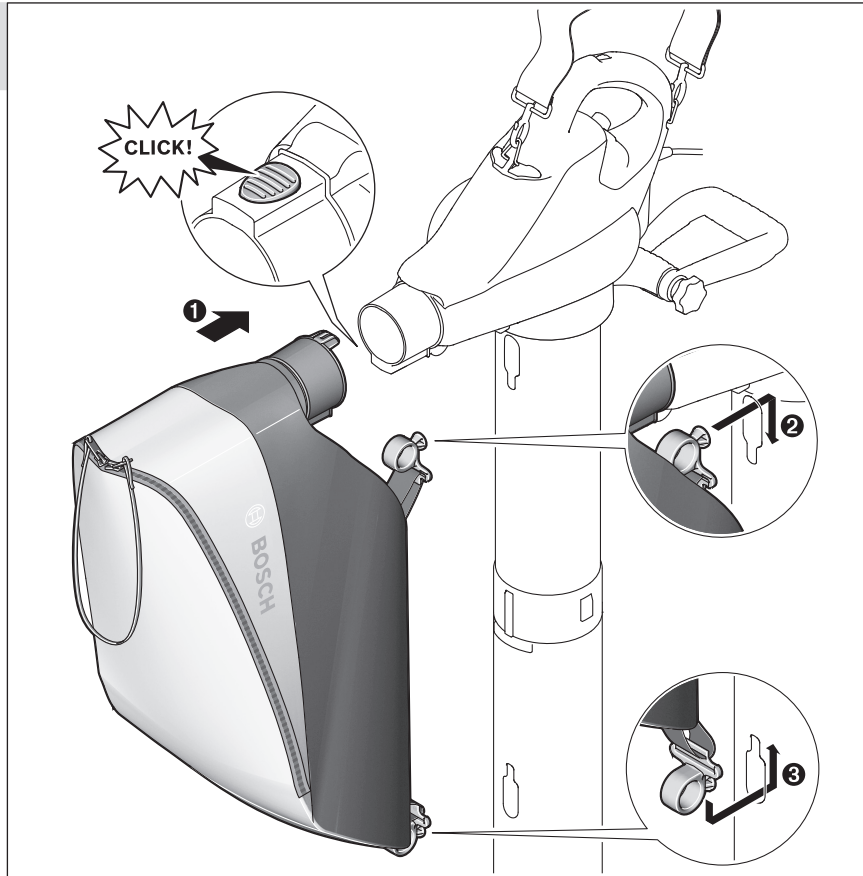


7

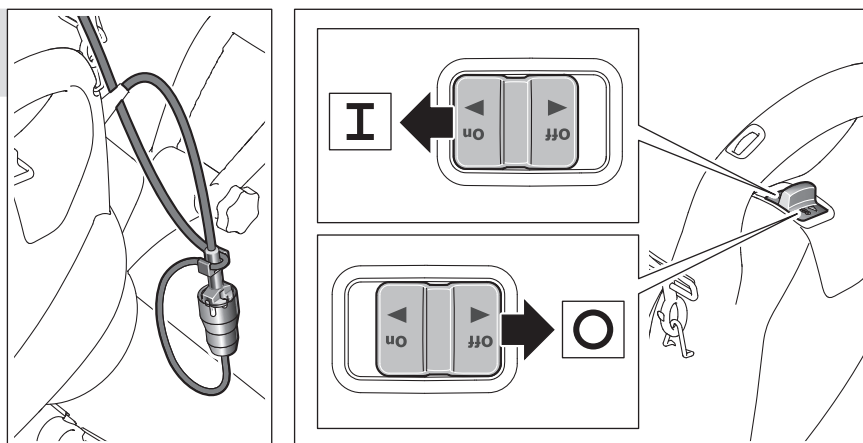




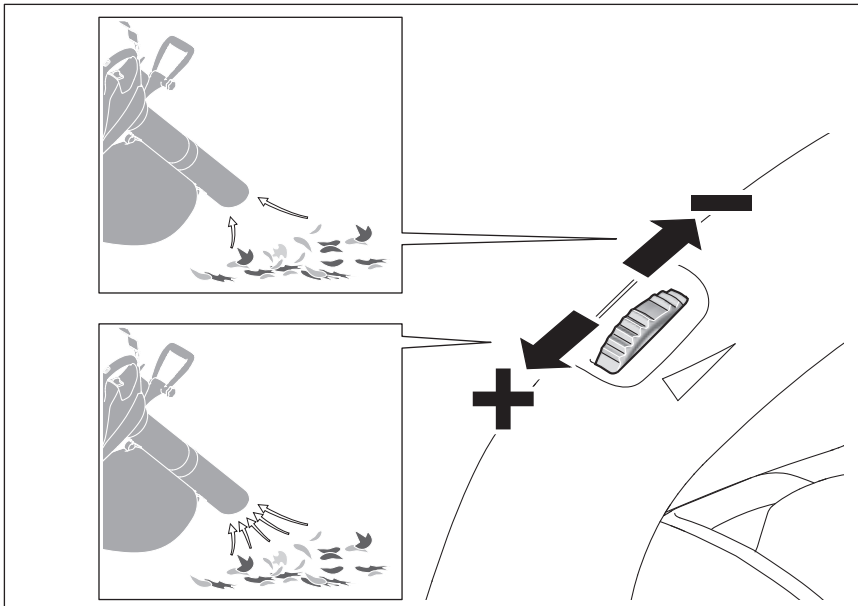
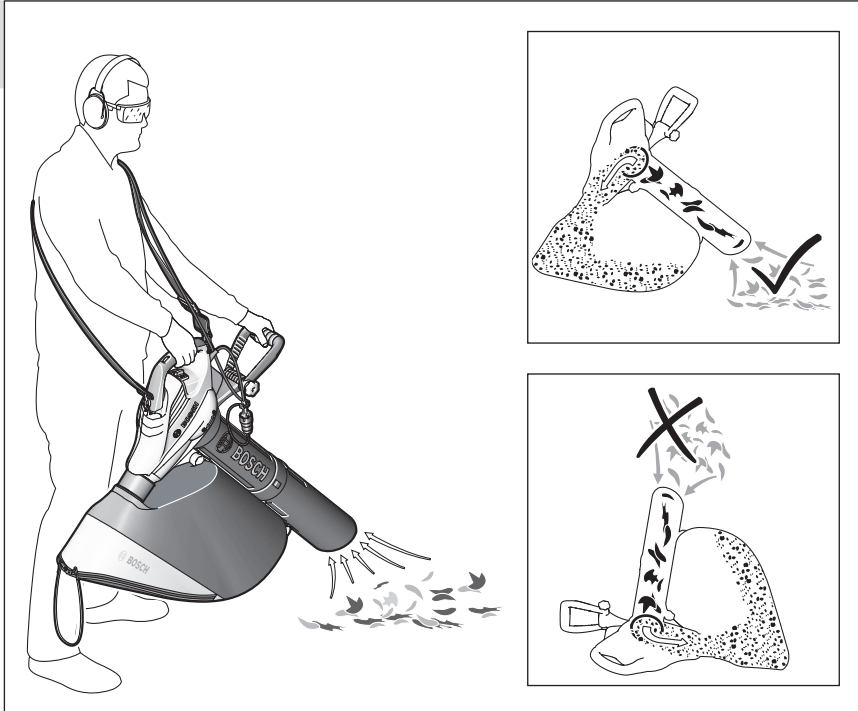
10



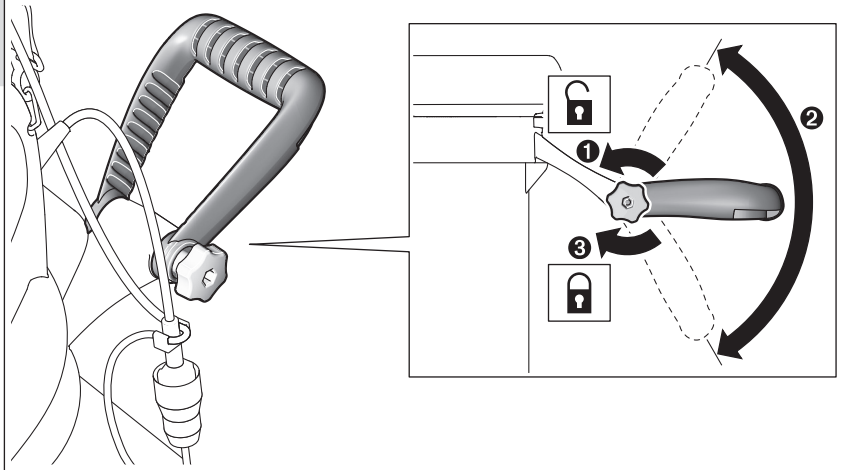
11



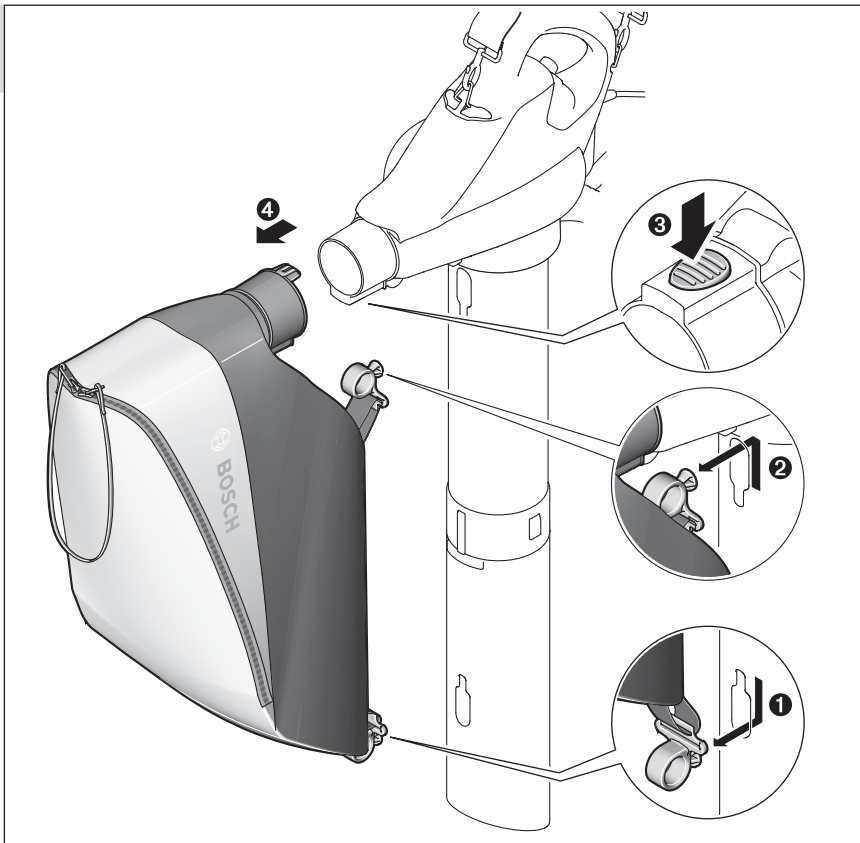
12

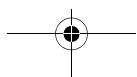
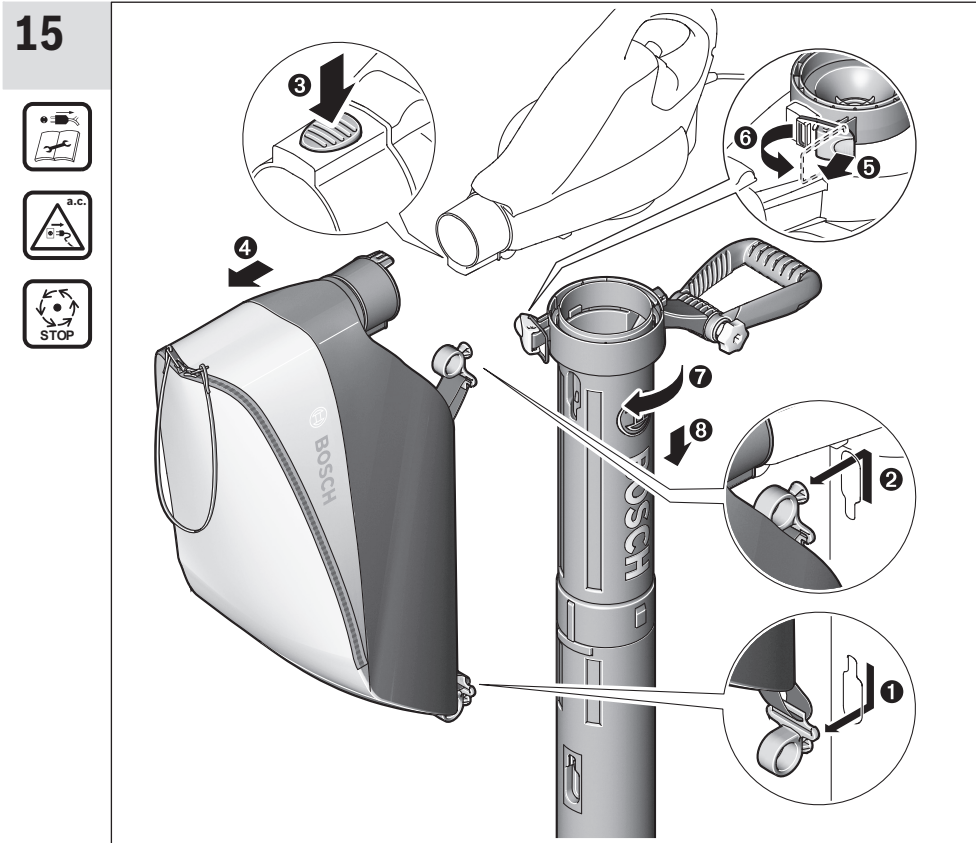
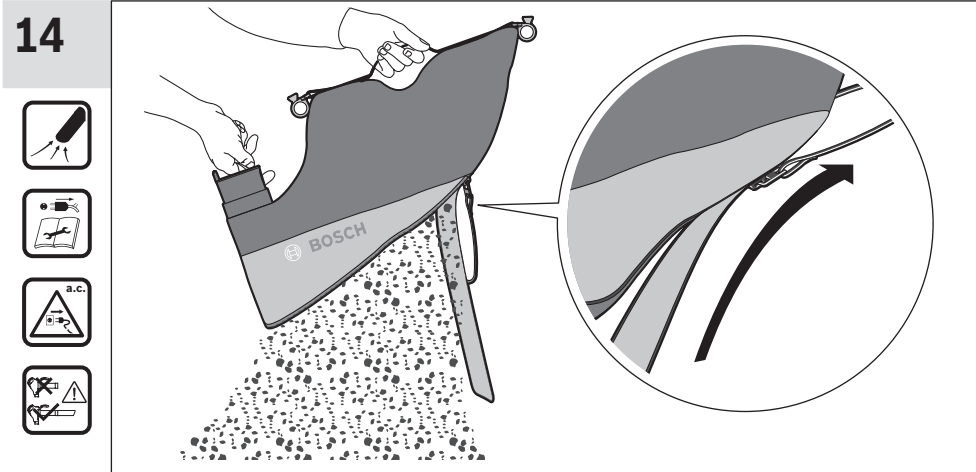


13

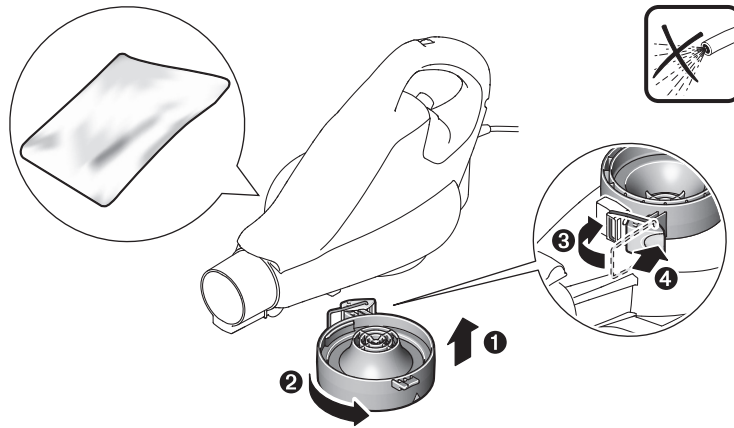


14





15



16

