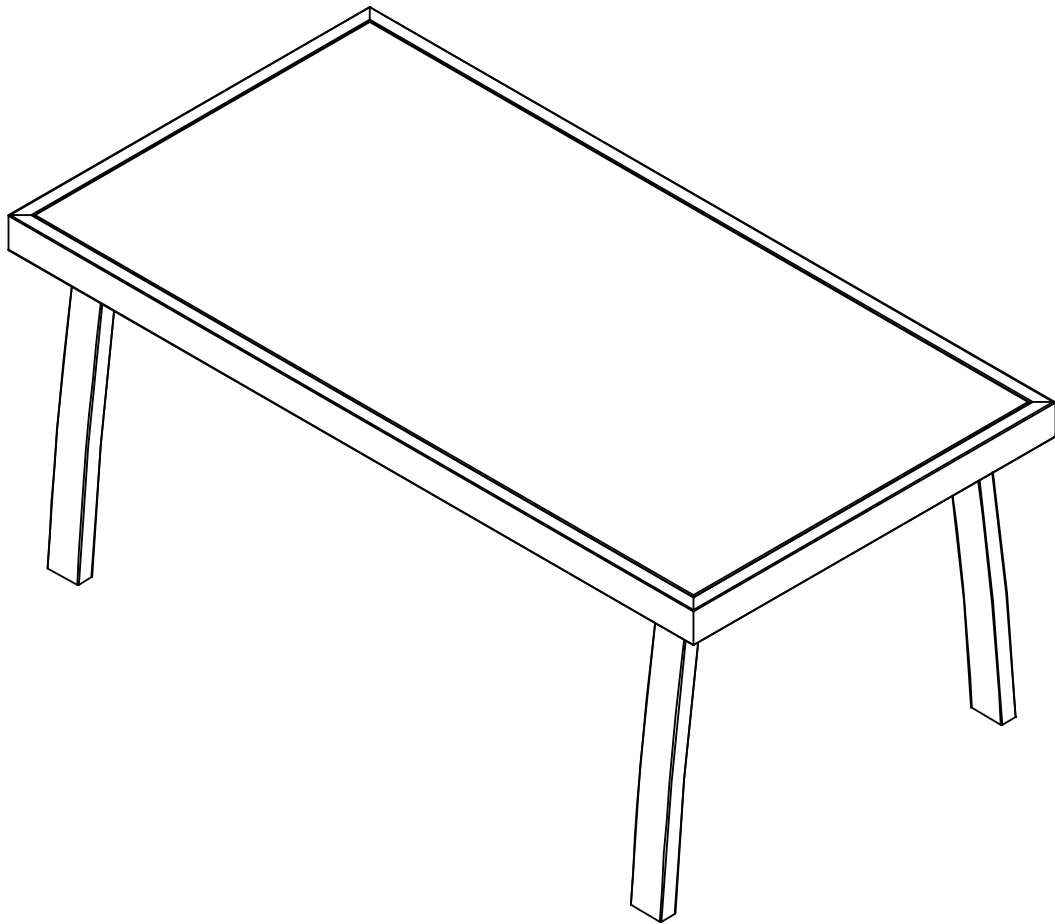


# Milan Metal Sofa Set-CoffeeTable

Assembly Instructions - Please keep for future reference

294/5651



## Dimensions

Width - 44.5cm

Depth - 84.5cm

Height - 36cm

**Important** – Please read these instructions fully before starting assembly

If you need help or have damaged or missing parts, call the Customer Helpline: 03456 400800



# Safety and Care Advice

**Important** Please read these instructions fully before starting assembly

- This product is manufactured from toughened safety glass. In the unlikely event that the glass fails it will break in to a large number of small fragments that may be spread over a wide area. This is a feature of toughened glass, designed to remove the risk of injury from glass breaking into large shards.
- If the glass is chipped or broken, stop using the product and consult the manufacturer or supplier.
- Check you have all the

components and tools listed on page 2.

- Remove all fittings from the plastic bags and separate them into their groups.
- Keep children and animals away from the work area, small parts could choke if swallowed.
- Make sure you have enough space to layout the parts before starting.
- Do not stand or put weight on the parts during assembly, this could cause damage.

- Assemble on a soft level surface to avoid damaging the unit or your floor.
- Dispose of all packing carefully and responsibly.
- Do not sit or stand upon horizontal glass surface.
- Do not place very hot or very cold items on the glass unless adequately thick tablemats are used to prevent such items from coming into contact with the glass.
- **Warning:** The unit weights approximately 7.4kgs.

**Please lift with care.**

## Care and maintenance

- Wash glass with mild soap and water, rinse thoroughly, and dry glass completely.

- We recommend the use of furniture covers when not in use.

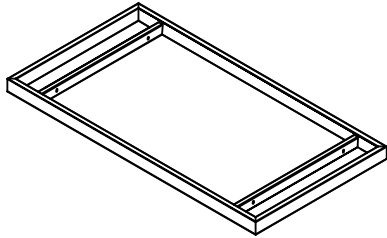
- Do not use the glass as chopping surface. Do not strike the glass with hard or pointed items.

- In order to prolong the life and beauty of your table, we recommend it be stored in a dry and protected area during off season periods.

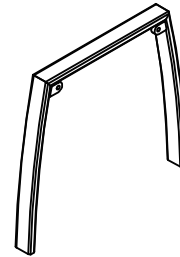
- Do not use washing powders or any abrasive substances which may scratch the surface.

# Components - Parts

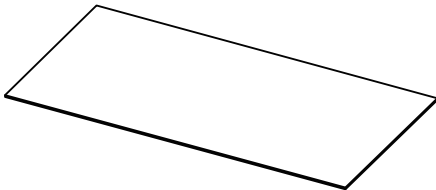
Please check you have all the parts listed below



**1** Table top x 1



**2** Leg x 2







**3** Glass x 1

# Components - Fittings

Please check you have all the fittings listed below

**Note:** The quantities below are the correct amount to complete the assembly. In some cases more fittings may be supplied than are required.

<p><b>A</b>  8mm Screw x 4</p>	<p><b>B</b>  Spring washer x 4</p>	<p><b>C</b>  Metal washer x 4</p>
<p><b>D</b>  Spanner x 1</p>		

# Assembly Instructions

## Step 1

### Assembly frame

Suggest to complete this product assembly by two person.

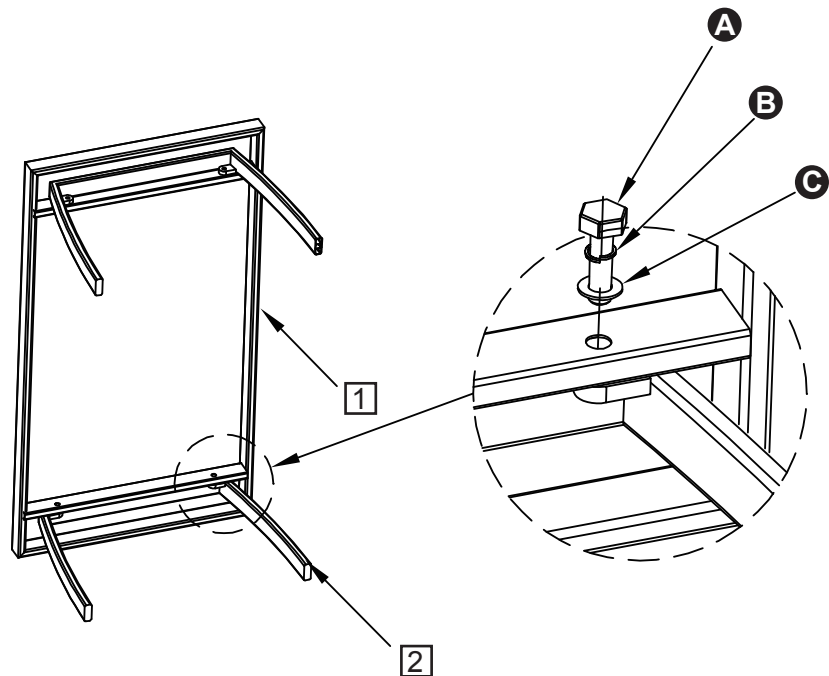
Use screws **A** , spring washers **B** and metal washer **C** to fix legs **2** to table top **1** .

Tighten all the screws.



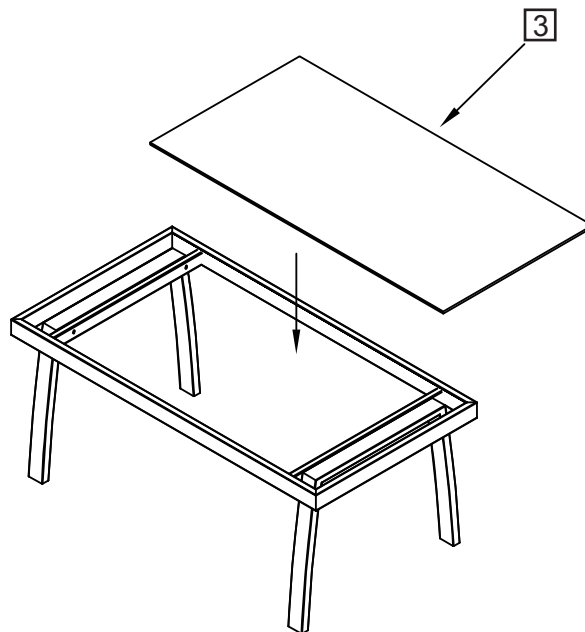
#### **Important:**

Do not fully tighten all screws until assembly is complete.



## Step 2

Turn the table top **1** to its upright position and put on the glass **3** .



**Assembly is complete.**

If you need help or have damaged or missing parts, call the **Customer Helpline: 03456 400800**  
Argos Limited  
489-499 Avebury Boulevard Saxon Gate West Central Milton Keynes Bucks, MK9 2NW