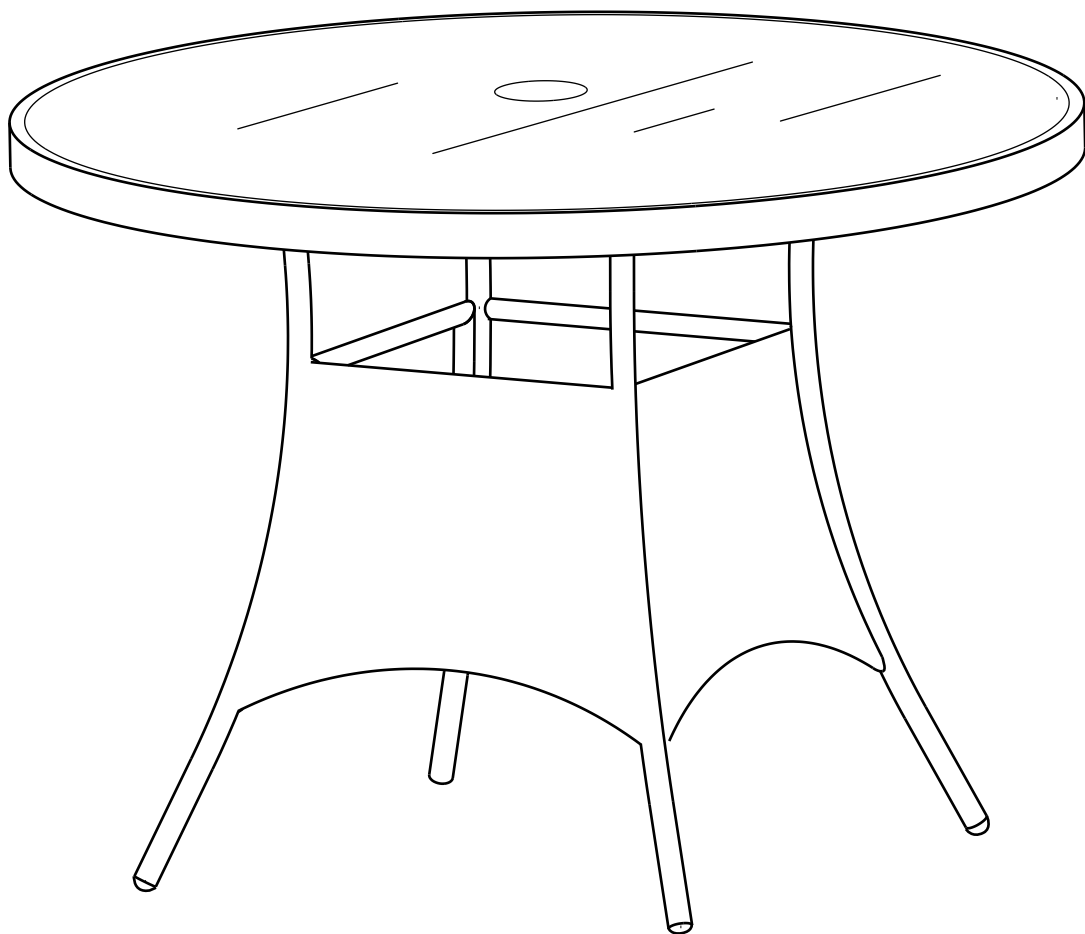


Havana 4 Seater Rattan Table

Assembly Instructions - Please keep for future reference

292/3123



Dimensions

Width - 100cm

Depth - 100cm

Height - 74cm

Important – Please read these instructions fully before starting assembly

If you need help or have damaged or missing parts, call the

Customer Helpline: Argos = 0345 6400800

For further assistance please visit <http://www.argos-support.co.uk>

Address: 489-499 Avebury Boulevard Saxon Gate West, Central Milton Keynes Bucks, MK9, 2NW



Safety and Care Advice

Important – Please read these instructions fully before starting assembly

- Read these instructions carefully and familiarise yourself with the procedure before assembling the unit.
- Check that you have all the component parts following the list on the back cover and familiarise yourself with each part before proceeding.
- Take all the fittings out of the plastic bag and separate them into their groups.
- Ensure you have enough space to lay out all the parts before assembly.
- To avoid scratching it is recommended that you assemble the unit on a soft level surface.
- Keep children and animals away from the work area, small parts could choke if swallowed.
- This product is manufactured from toughened safety glass. In the unlikely event that the glass fails it will break into a large number of small fragments that may be spread over a wide area.
- This is a feature of toughened glass, designed to remove the risk of injury from glass breaking into large shards.
- If the glass is chipped or broken, replace with the same type of glass. Consult the furniture retailer or agent with regard to obtaining a manufacturing specification of the shape for replacement glass quoting the model numbers, and batch number or date of manufacture of this items.
- It would be useful to ask someone to help you during assembly.
- To use a parasol with this table, please remove the plastic centre plug and put the parasol pole through the table top and centre connector ring, a weighted parasol base must be used.
- Dispose of all packing carefully and responsibly.
- Do not place very hot or cold items against or in close proximity to glass surface unless an adequately thick insulating material is used to prevent such items from coming into contact with the glass.
- Do not strike the glass with hand or pointed items.
- Do not sit or stand on the glass surface, as this would be hazardous.
- Do not over-tighten as this may damage the glass.
- **Warning:** The unit weights approximately 25 kgs.

Please lift with care.

Care and maintenance


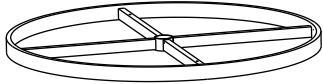
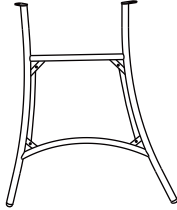
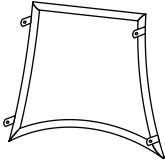
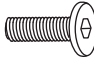



- To avoid any risk of suffocation to animals or children dispose of the plastic bags immediately.
- As with all surface clean with a damp cloth and mild detergent, rinse thoroughly dry frame completely, do not use bleach or abrasive products.
- In order to prolong the life and beauty of your table, we recommend the use of furniture covers and store in a dry and secure area when not in use.
- When moving the table, remove the parasol and lift the table, do not drag.
- From time to time please ensure there are no loose screws on the product.

Components - Parts & Fittings

If you have damaged or missing components, call the **Customer Helpline: Argos = 0345 6400800**

Please check you have all the parts & fittings listed below

Note: The quantities below are the correct amount to complete the assembly. In some cases more fittings may be supplied than are required.

<p>1</p>  <p>Glass table top x 1</p>	<p>2</p>  <p>Table top frame x 1</p>	<p>3</p>  <p>Table leg x 2</p>
<p>4</p>  <p>Support x 2</p>	<p>A</p>  M6x20 <p>Screw x 12</p>	<p>B</p>  M6 <p>Washer x 12</p>
<p>C</p>  <p>Screw cap x 12</p>	<p>D</p>  <p>Plastic center plug x 1</p>	

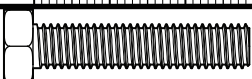
Tools required



E Allenkey x 1

Ruler - Use this ruler to help correctly identify the screws

0 5 10 15 20 25 30 35 40 45 50 55 60 65 70 75 80 85 90 95 100 105 110 115 120 125 130 135 140 145 150 155 160 165 170



Assembly Instructions

Step 1

Fix table legs

a: Use screws **A** and washers **B** to fix the table legs **3** onto the table top frame **2**

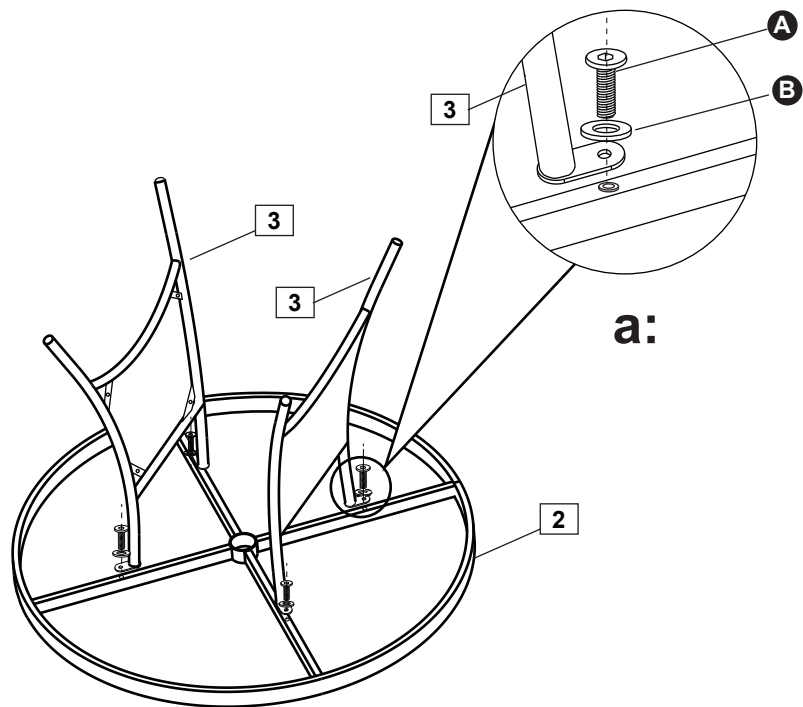
Repeat above steps to assemble the other table legs.

Note: During assembly do not lay the glass directly onto hard or rough surfaces. We recommend laying the glass on a blanket or cardboard during assembly. You could even use the box.



Important:

Do not fully tighten all screws until assembly is complete.



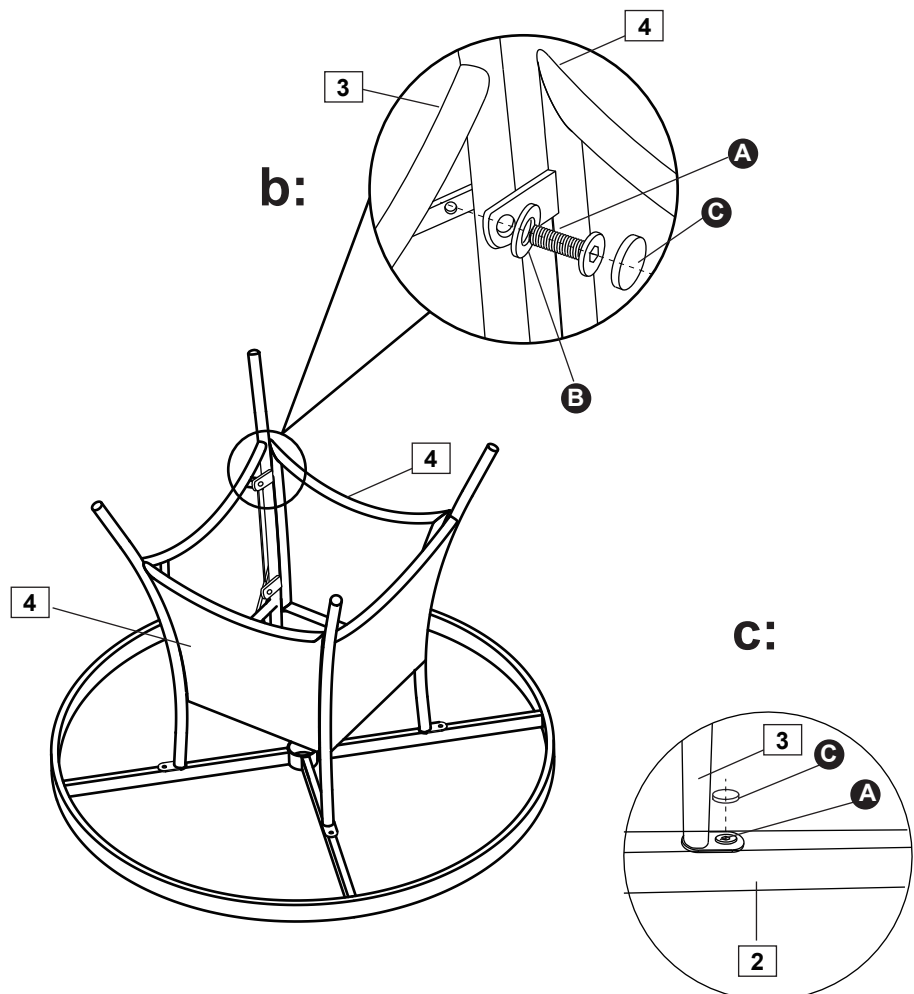
Step 2

Fix table supports

b: Use screws **A** and washers **B** to fix the table supports **4** onto the unit.

Repeat above steps to assemble the other table supports and then fully tighten all the screws.

C: cover all the screw with screw caps.



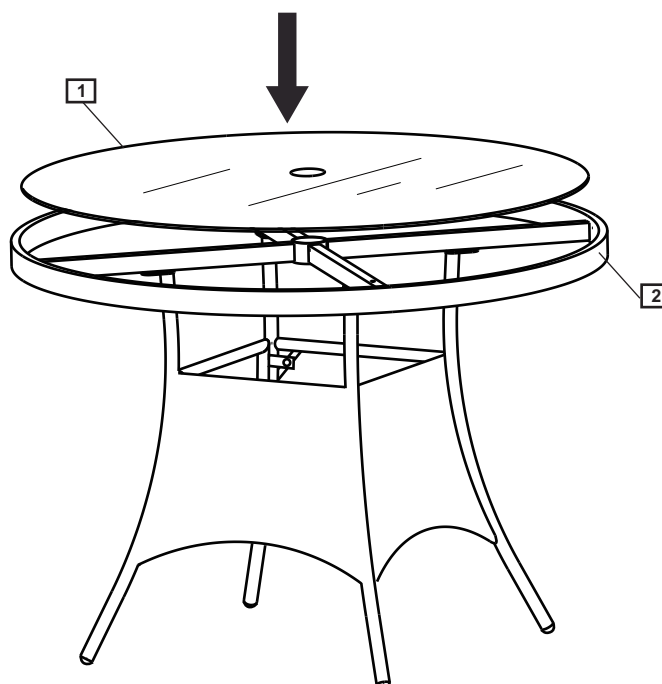
Assembly Instructions

Step 3

Place glass table top

Turn the table up and carefully place the glass table top **1** onto the unit

Note: Be careful and do not scratch the glass top during assembling.



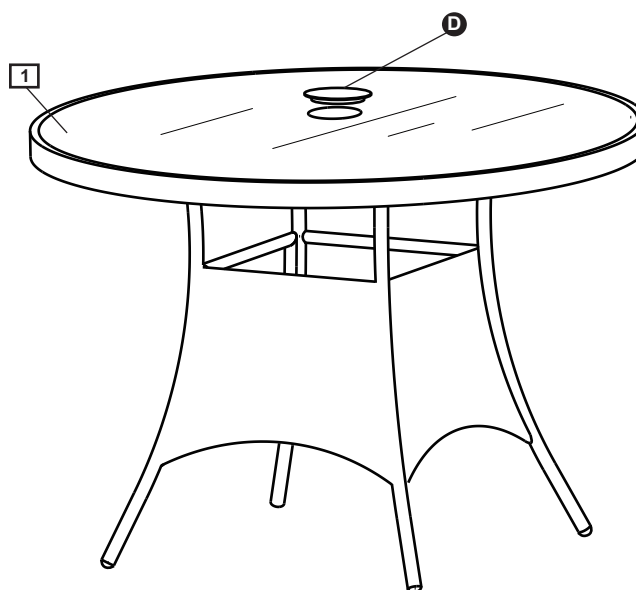
Step 4

Insert the plastic center plug

Insert the plastic center plug **D** onto the glass table top **1**

Assembly is complete

Note: When lifting or moving the product, ask for someone to lend a hand, trying to move a product on your own can lead to accidents.



Warning:

To reduce the risk of the glass for smashing, please ensure you use a suitable parasol base.

If you need help or have damaged or missing parts, call the

Customer Helpline: Argos = 0345 6400800

For further assistance please visit <http://www.argos-support.co.uk>

Address: 489-499 Avebury Boulevard Saxon Gate West, Central Milton Keynes Bucks, MK9, 2NW

Glass Guidelines

During assembly do not lay the glass directly onto hard or rough surfaces. We recommend laying the glass on a blanket or cardboard during assembly. You could even use the box.

When lifting or moving the product, ask for someone to lend a hand, trying to move a product on your own can lead to accidents.

Do not use furniture if any parts are missing or broken. Contact your retailer immediately.

Do not place very hot or very cold items, such as saucepans or barbecues, directly on the glass surface. Extreme temperature differences over small areas can damage glass.

Do not sit or stand upon the glass surface.

Do not strike the glass with hard or pointed items, or use the glass as a chopping surface.

Do not drag rough or heavy objects over the top of the glass.

We recommend using place mats, coasters and table cloths to help protect against scratches and accidentally dropped items.

Clean the glass regularly to make sure there are no grit on the top.

Do not clean glass with washing powders or any other substances containing abrasives, since these substances can scratch glass.

For tables that can be used outdoors, if your table has a parasol, make sure the edge of the parasol cut-out has a protector in place. In addition always use a weighted parasol base, and remove the parasol in windy conditions. Parasols can put pressure on the table top or even blow the table over in windy weather.

For tables that can be used outdoors it is advised that the table is kept covered when not in use to protect the glass from the weather and accidental damage.